

ASSEMBLING INSTRUCTIONS

ACCENT CHAIR

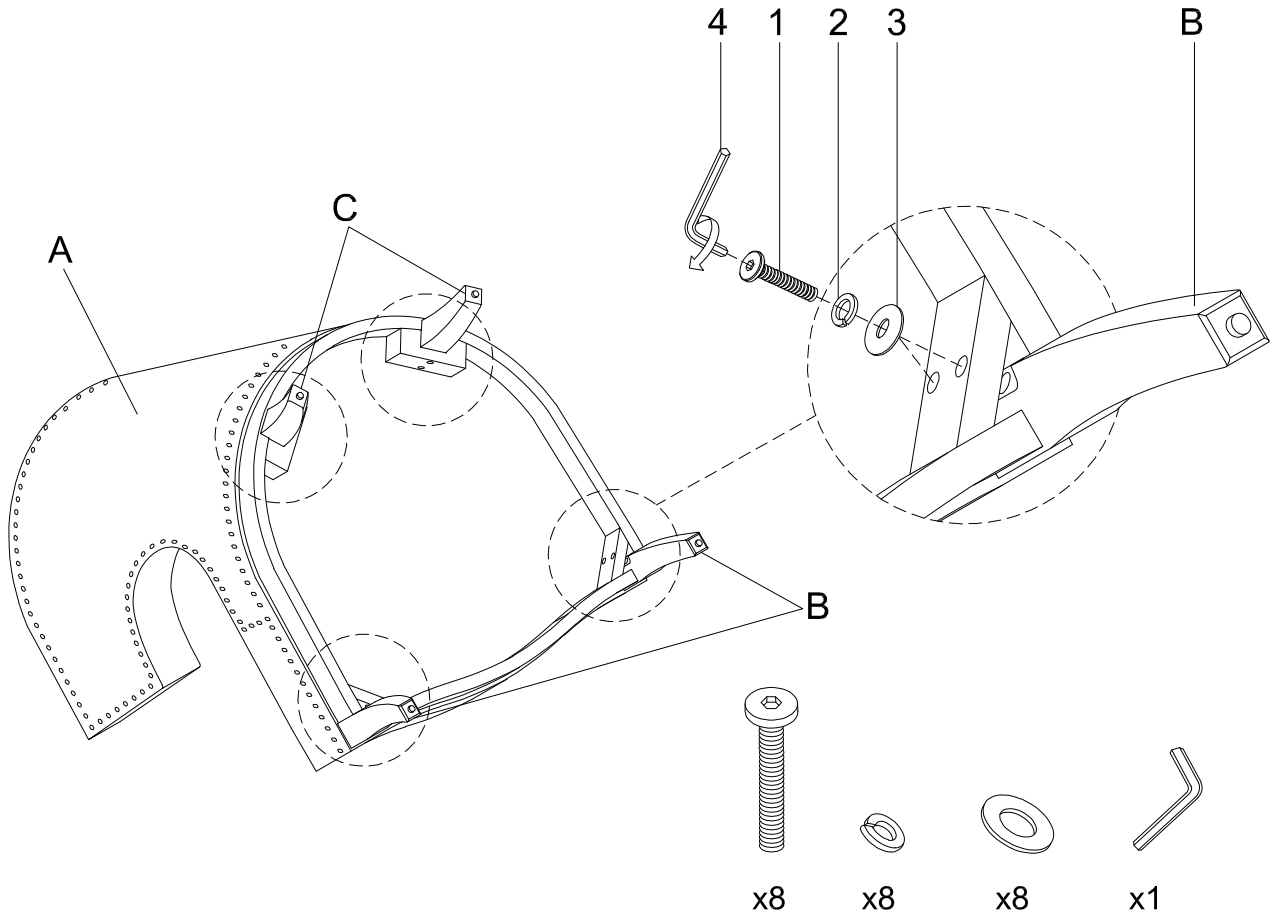


Legs and hardware are stored in the bottom of the seat, please take them out for assembly.

Note: Do not use power tools for assembly. Power tools increase the risk of over tightening which lead to splitting or cracking the wood.

PART	DRAWING	DESCRIPTION	QTY	PART	DRAWING	DESCRIPTION	QTY
A		Seat	1 PC	1		Bolt Ø5/16"×1-3/4"	8 PCS
B		Front Wooden Leg 7-3/4"×2-1/3"×2-1/3"	2 PCS	2		Spring Washer Ø5/16"	8 PCS
C		Rear Wooden Leg 7-1/2"×2"×2-2/3"	2 PCS	3		Flat Washer Ø5/16"×3/4"	8 PCS
D		Seat Cushion	1 PC	4		Allen Key M4	1 PC

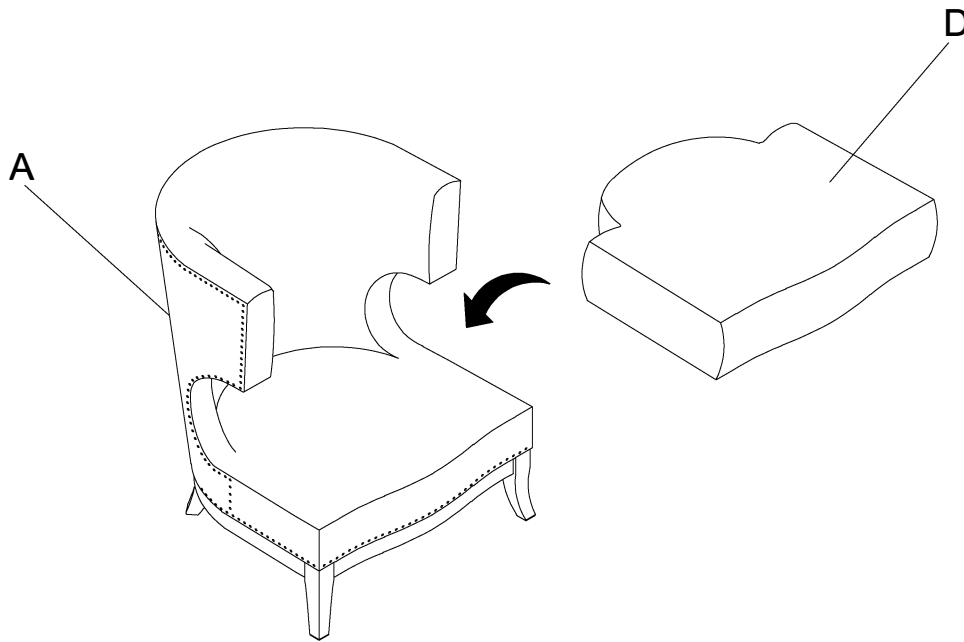
STEP 1:



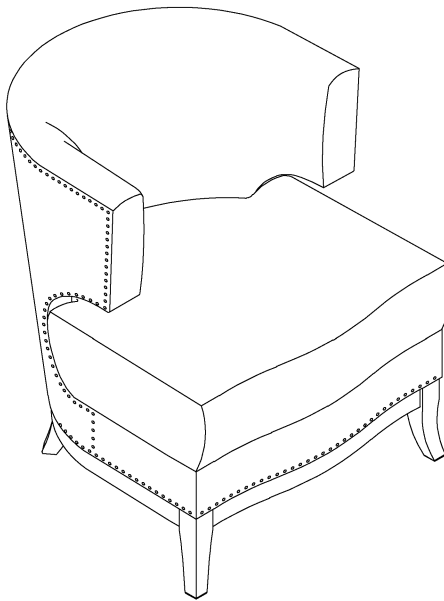
ASSEMBLING INSTRUCTIONS

ACCENT CHAIR

STEP 2:



COMPLETED



Care Instruction for Boucle Furniture:

In order to maintain the original appearance of your boucle furniture, please follow below simple care procedures.

- Avoid exposing furniture directly to sunlight or heating and air conditioning outlets. Sunlight and or exposure to heating and air conditioning outlets will fade / damage boucle .
- Vacuum or wipe with a soft cloth to remove dust.
- Hardware may loosen over time. Periodically check to make sure all connection are tight, Re-tighten if necessary

! For item use on wooden floor,hard surfaces or carpets,it is recommended to install protective pads under all legs and supports to avoid/prevent from damages/scratches and discoloration.