

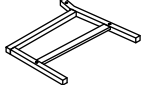
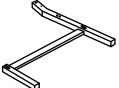
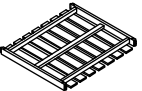
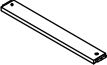
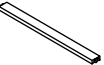


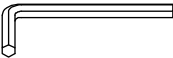
CARE AND MAINTENANCE

Store outdoor furniture indoors or cover well when it is not in use. Dust regularly with small brush or vacuum. Spills should be taken care of immediately before they harden or stain with a slightly dampened sponge.

NOTICE

Please make sure that you have all parts indicated before you begin assembly of this item.

Part List and Hardware List

PIECE	DESCRIPTION	PICTURE	QUANTITY
A	Arm side		1x
B	Side		1x
C	Seat		1x
D	Top back		1x
E	Support back		1x
F1	Allen Bolt	 M6x70	6x
F2	Bolt extra	 M6x50	1x
F3	Allen Key		1x

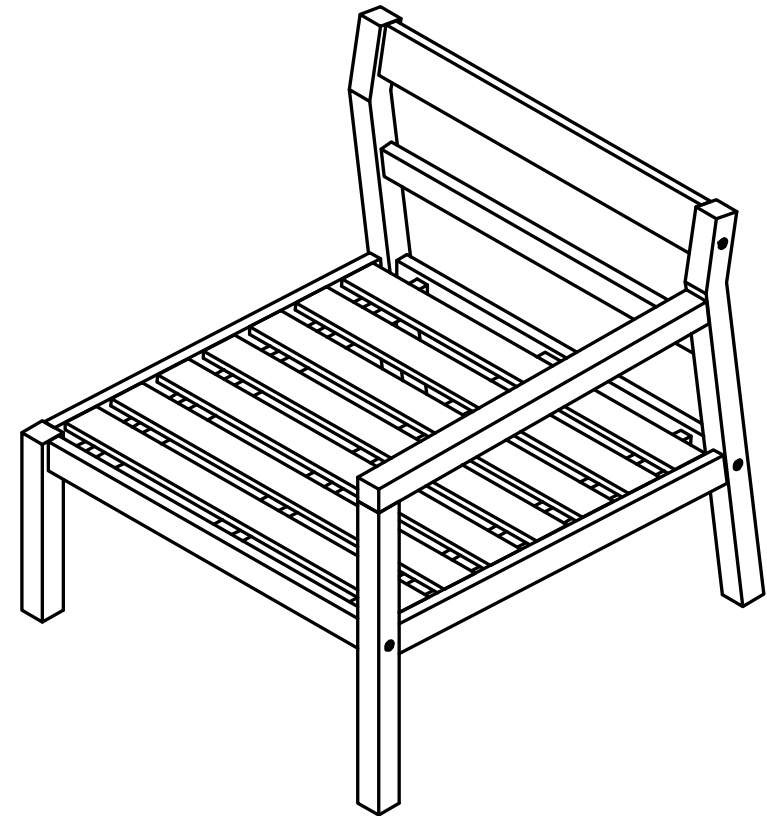
Product Dimension: 27.17"W x 29.33"D x 26.77"H



Weight capacity : 300 lbs

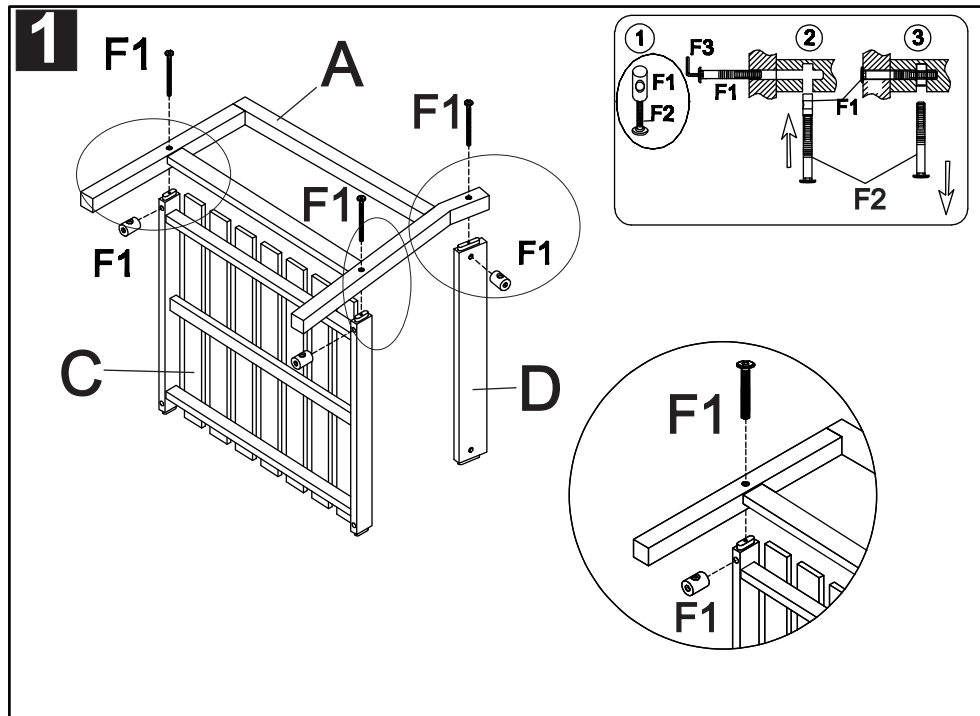
Warning : Do not stand on the chair

Warning : Do not torque bolts / screws

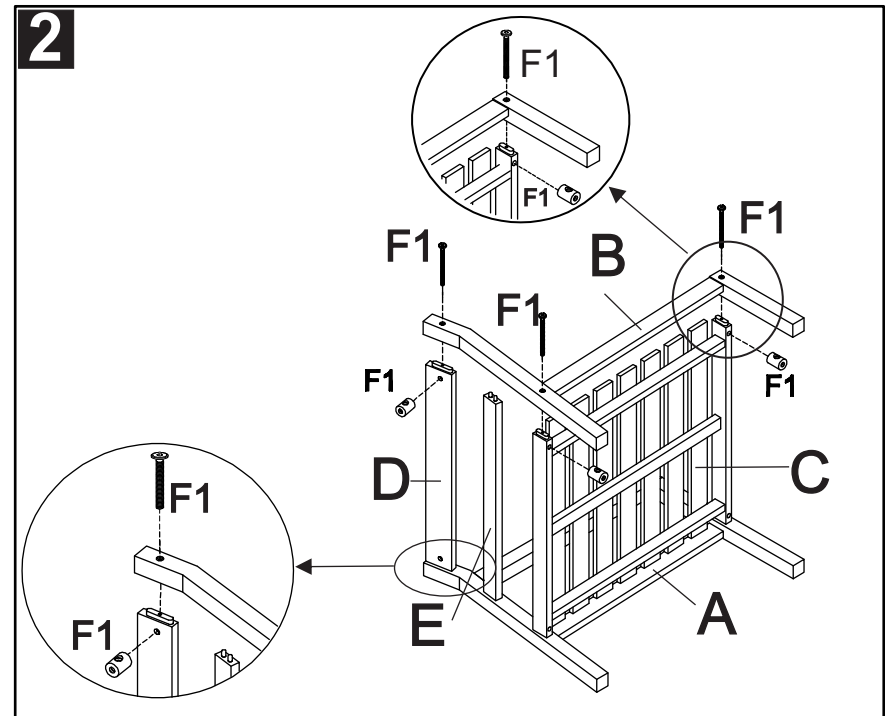


PREPARATION

Before beginning the assembly of the product, make sure all parts are present. Compare the parts with the package contents list and hardware contents list. If any parts are missing or damaged, do not attempt to assemble the product. Tool required for assembly (included): Allen Key.



Step 1: attach the Arm side (A) to the seat (C) and Top back (D) as shown on the picture. Using the Allen Bolt (F1) to tighten all with the Allen Key (F3). Make sure to tighten all the Allen bolt (F1) before continue step 2.



Step 2: Put the support (E) to the Arm side (A) then attach the side (B) to the seat (C), Top back (D) and Support (E) as shown on the picture. Using the Allen bolt (F1) and tighten all with the Allen key (F3).

