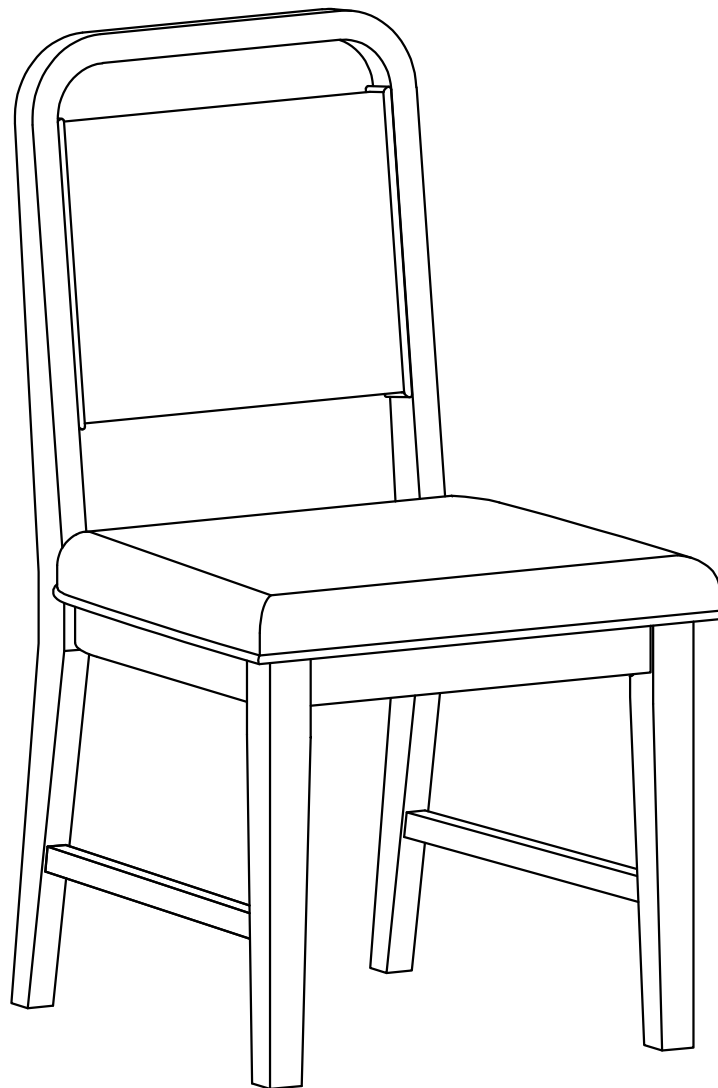


# ASSEMBLY INSTRUCTION

ITEM NO.N715P406521

## Dining Chair



# ASSEMBLY INSTRUCTION

ITEM NO.N715P406521

Please read these instructions fully before starting assembly:

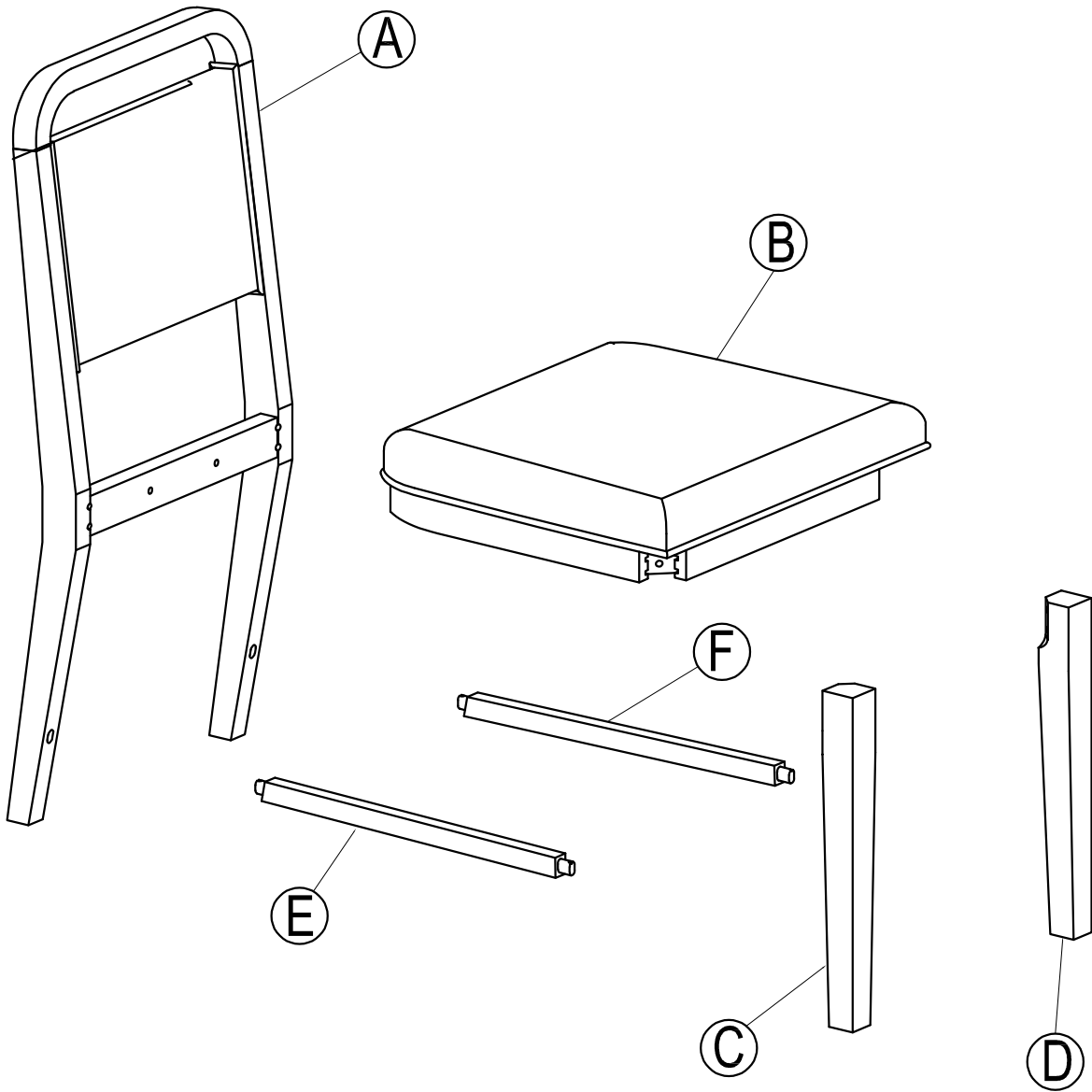
1. Place all wooden parts on a clean and smooth surface such as a rug or carpet to avoid scratching the parts.
2. Kindly follow the assembly instructions step by step.
3. Do not tighten all screws and bolts until the table is fully assembled.
4. Unscrew the protective plastique supports from the metal insert of the table legs before assembly.
5. Parts of the assembly will be easier with 2 people.

Care and maintenance:

Only clean using a damp cloth and mild detergent, do not use bleach or abrasive cleaners.

# ASSEMBLY INSTRUCTION

ITEM NO.N715P406521

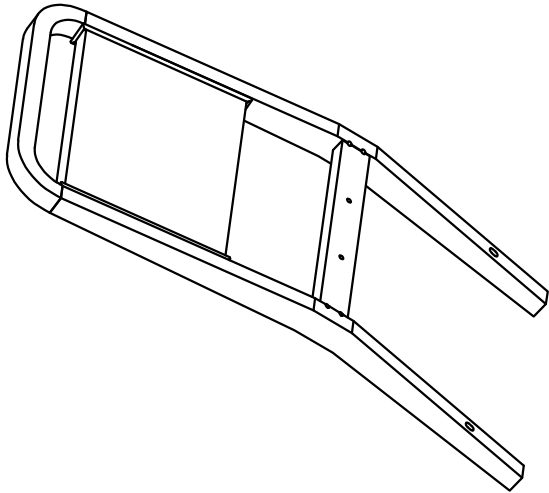


# ASSEMBLY INSTRUCTION

ITEM NO.N715P406521

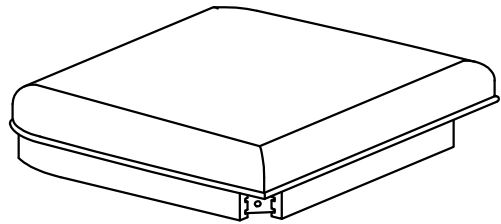
## Part List

(A)



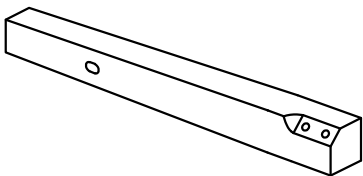
BACK FRAME (2 pcs)

(B)



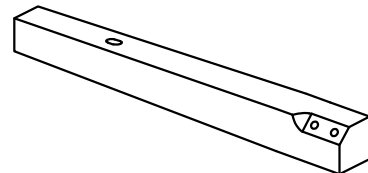
SEAT FRAME (2 pcs)

(C)



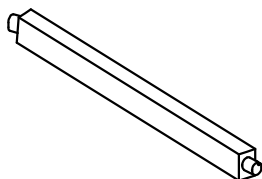
LEG LEFT (2 pcs)

(D)



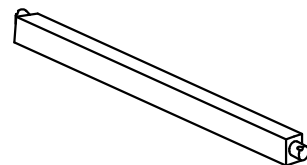
LEG RIGHT (2 pcs)

(E)



LEFT SIDE STRETCHER (2 pcs)

(F)

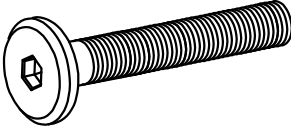
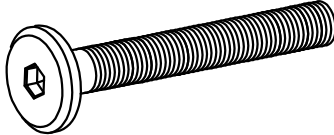
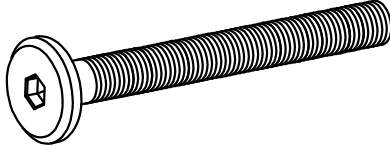

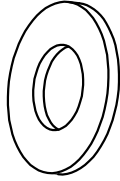

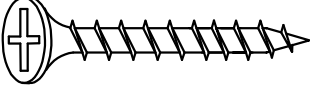
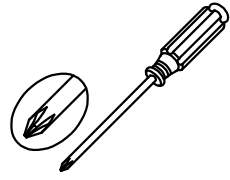


RIGHT SIDE STRETCHER (2 pcs)

# ASSEMBLY INSTRUCTION

ITEM NO.N715P406521

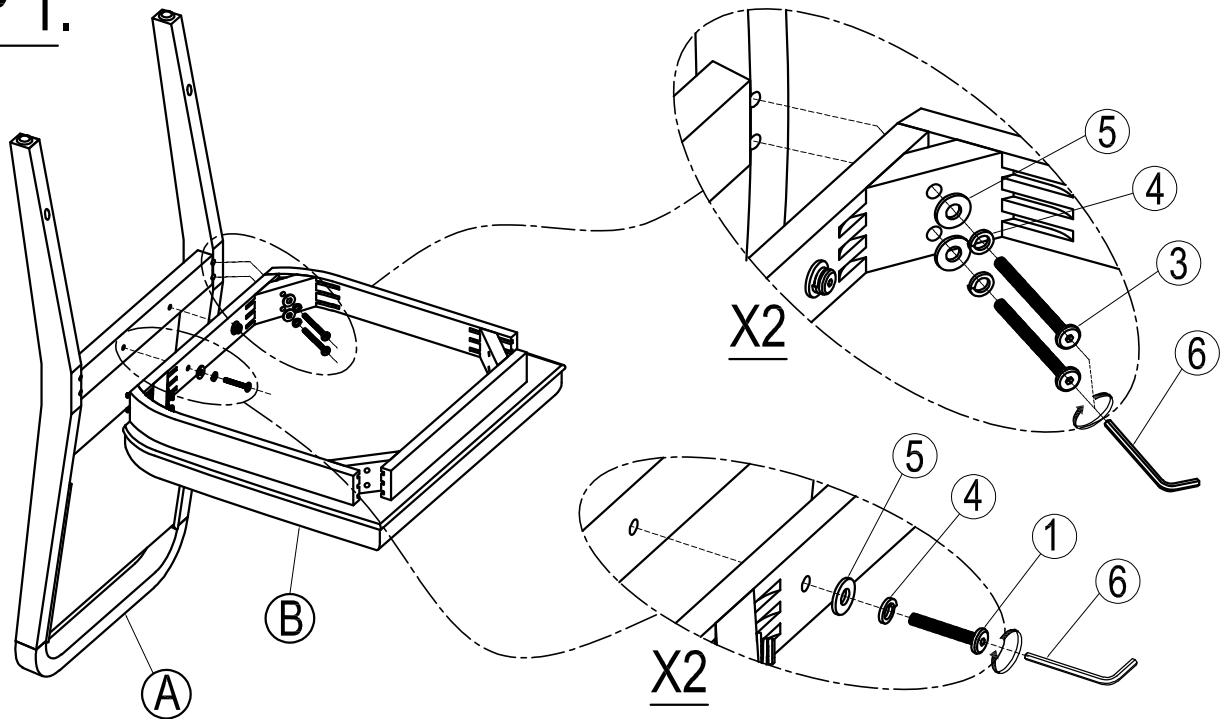
## Hardware List






<p>①</p>  <p>Ø 1/4" x 40 mm</p> <p>BOLT (4 pcs)</p>	<p>②</p>  <p>Ø 1/4" x 55 mm</p> <p>BOLT (8 pcs)</p>
<p>③</p>  <p>Ø 1/4" x 75 mm</p> <p>BOLT (8 pcs)</p>	<p>④</p>  <p>Ø5/16" x 13 mm</p> <p>LOCK WASHER (20 pcs)</p>
<p>⑤</p>  <p>Ø5/16" x 19 x 2mm</p> <p>FLAT WASHER (20 pcs)</p>	<p>⑥</p>  <p>4 mm</p> <p>ALLEN KEY (2 pc)</p>
<p>⑦</p>  <p>Ø4 x 38 mm</p> <p>WOOD SCREWS (8 pcs)</p>	<p>Tools Requires</p>  <p>NOT INCLUDED</p>

# ASSEMBLY INSTRUCTION

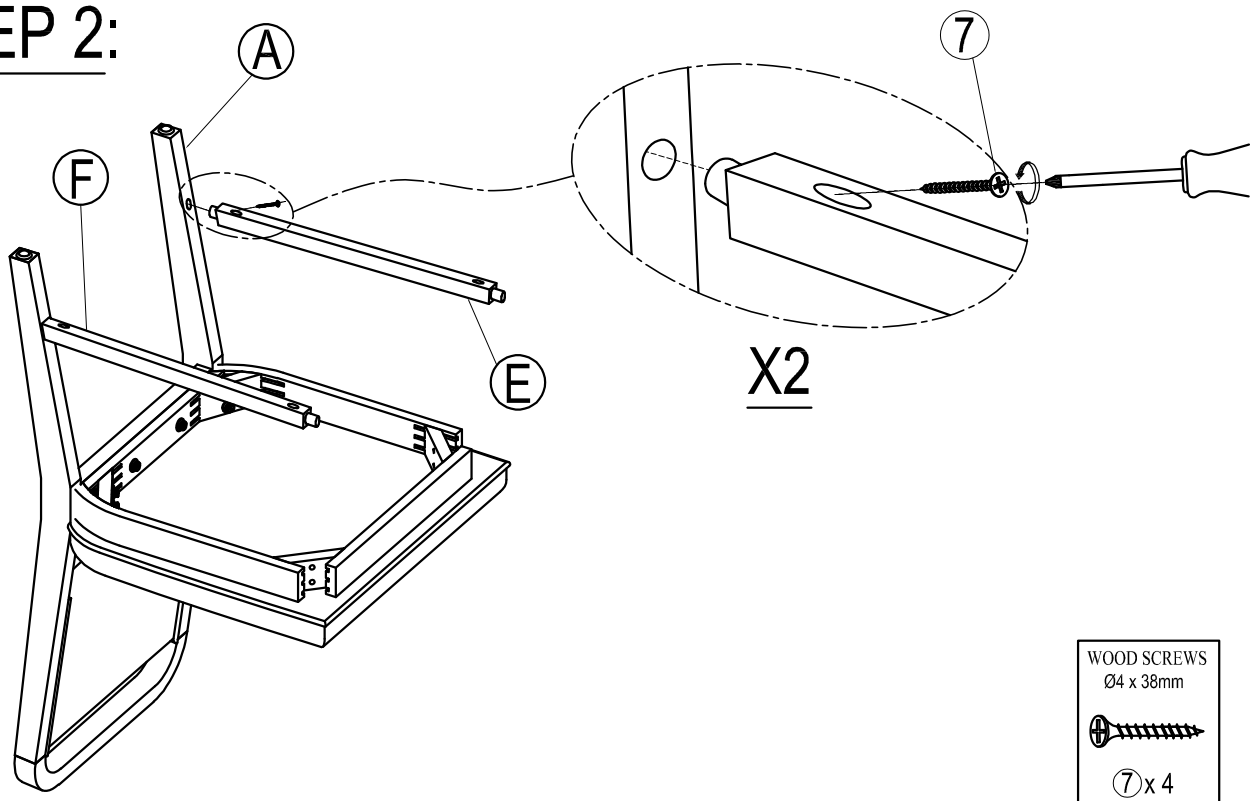
ITEM NO.N715P406521

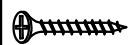
## STEP 1:



BOLT Ø 1/4" x 40 mm	BOLT Ø 1/4" x 75 mm	LOCK WASHER Ø5/16" x 13 mm	FLAT WASHER Ø5/16" x 19 x 2mm	ALLEN KEY 4 mm
				
① x 4	③ x 8	④ x 12	⑤ x 12	⑥ x 1

## STEP 2:

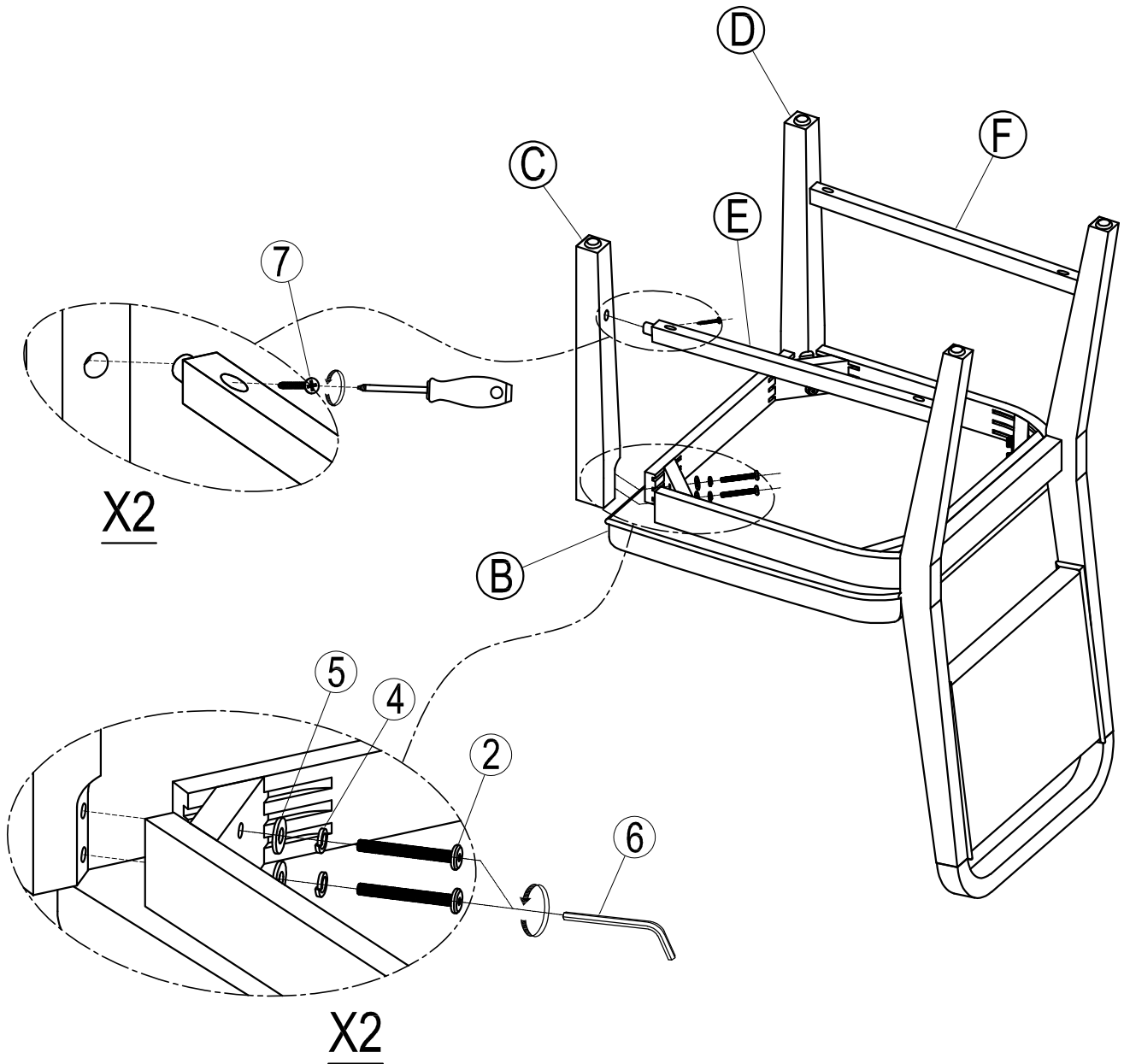





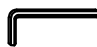
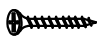
WOOD SCREWS Ø4 x 38mm

⑦ x 4

# ASSEMBLY INSTRUCTION

ITEM NO.N715P406521

## STEP 3:

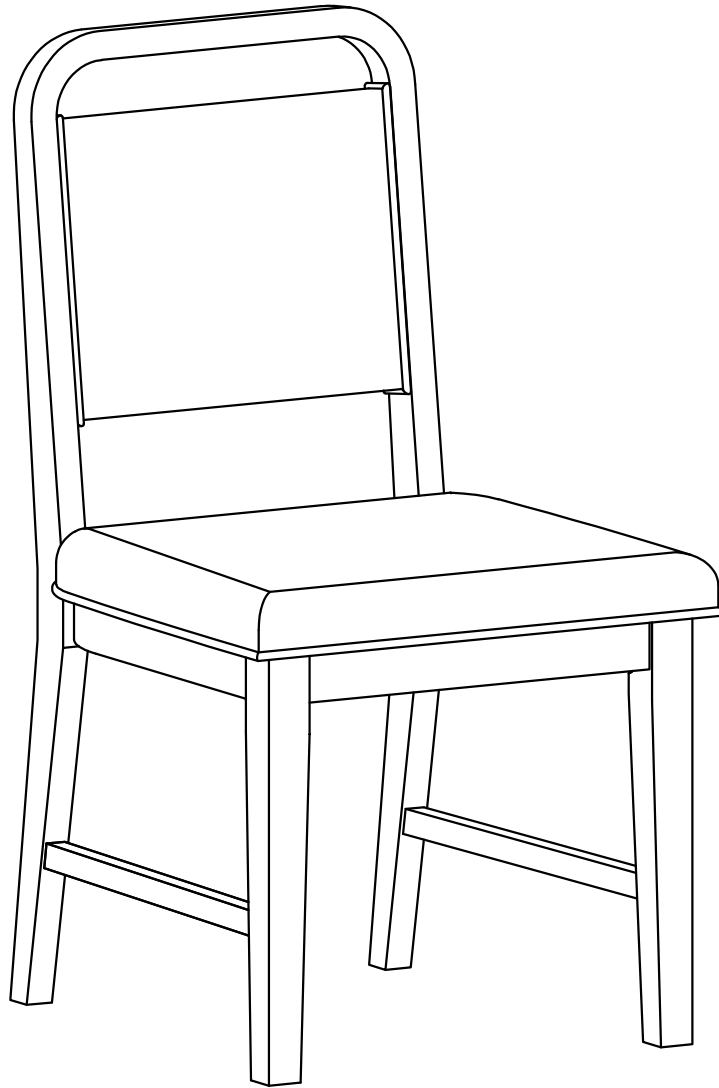


BOLT Ø 1/4" x 55 mm	LOCK WASHER Ø5/16" x 13 mm	FLAT WASHER Ø5/16" x 19 x 2mm	ALLEN KEY 4 mm	WOOD SCREWS Ø4 x 38mm
				
②x 8	④x 8	⑤x 8	⑥x 1	⑦x 4

# ASSEMBLY INSTRUCTION

ITEM NO.N715P406521

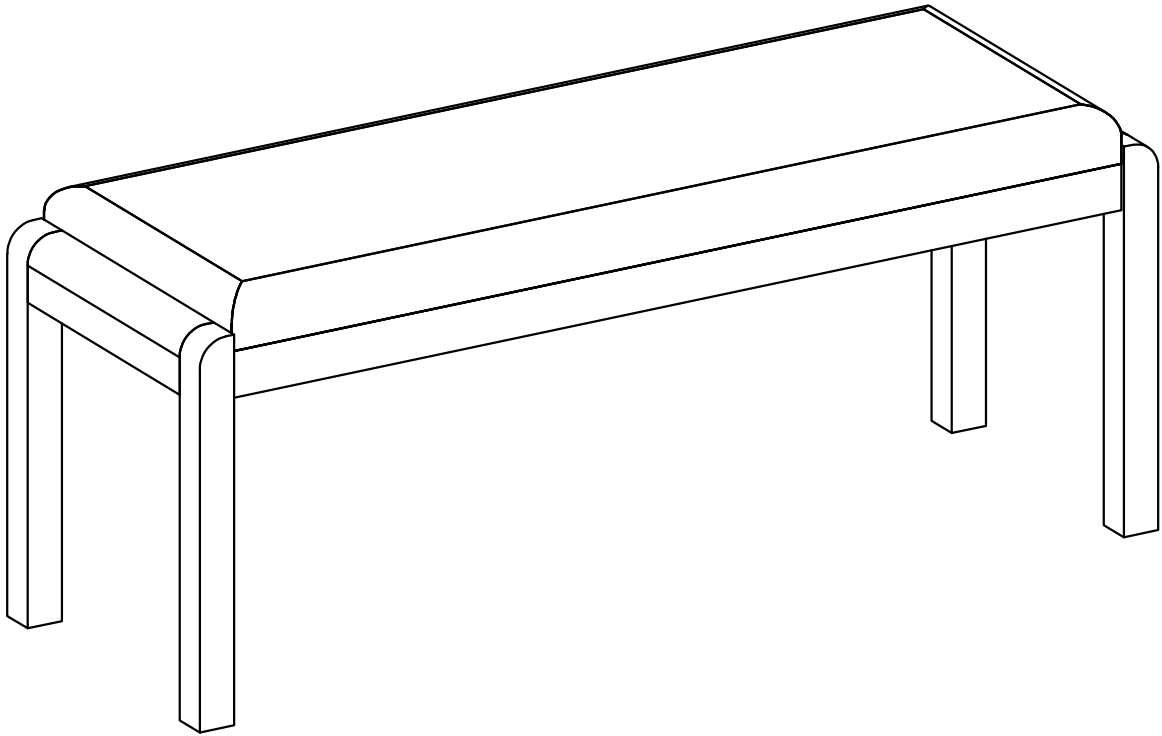
COMPLETE



# ASSEMBLY INSTRUCTION

ITEM NO.N715P406521

## Dining Bench



# ASSEMBLY INSTRUCTION

ITEM NO.N715P406521

Please read these instructions fully before starting assembly:

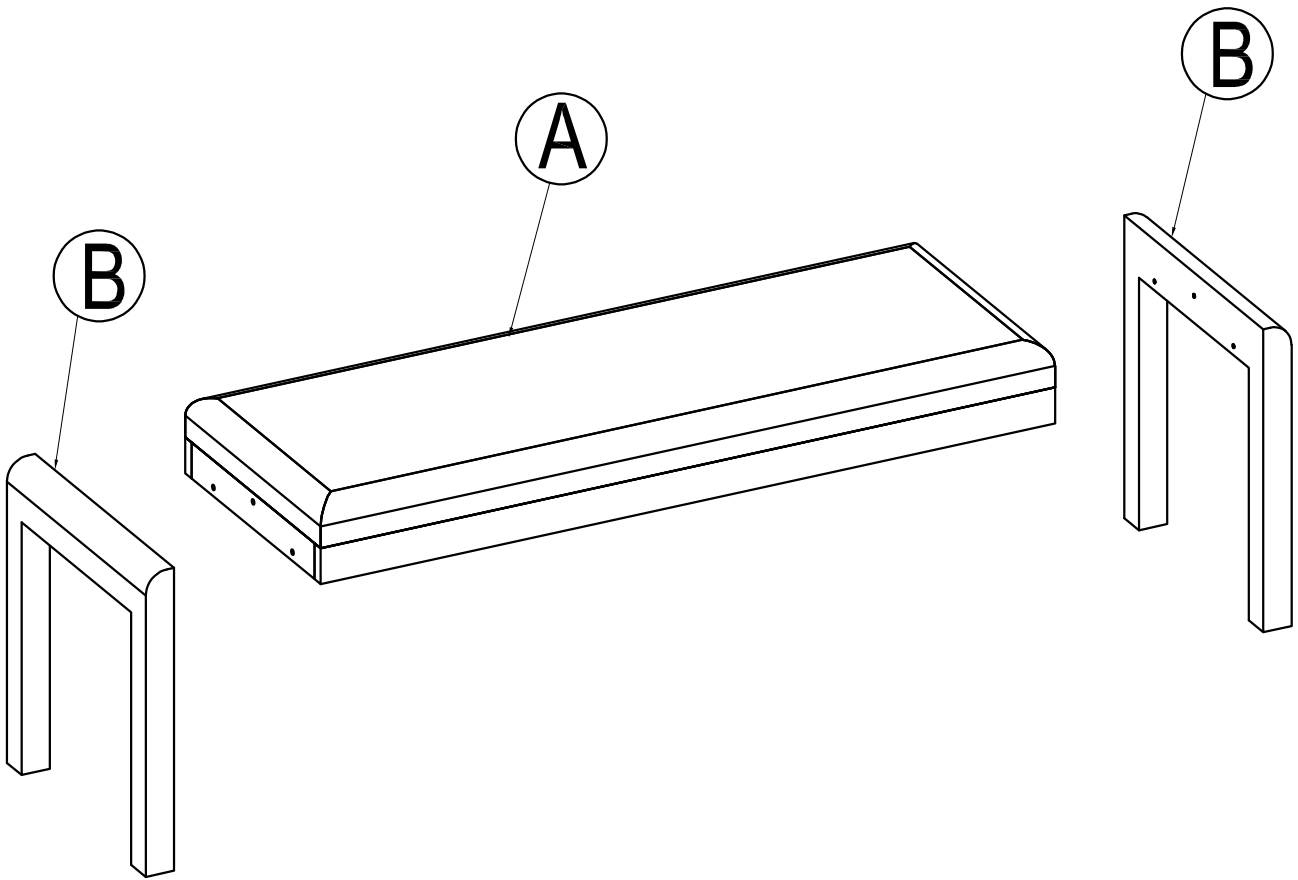
1. Place all wooden parts on a clean and smooth surface such as a rug or carpet to avoid scratching the parts.
2. Kindly follow the assembly instructions step by step.
3. Do not tighten all screws and bolts until the table is fully assembled.
4. Unscrew the protective plastique supports from the metal insert of the table legs before assembly.
5. Parts of the assembly will be easier with 2 people.

Care and maintenance:

Only clean using a damp cloth and mild detergent, do not use bleach or abrasive cleaners.

# ASSEMBLY INSTRUCTION

ITEM NO.N715P406521

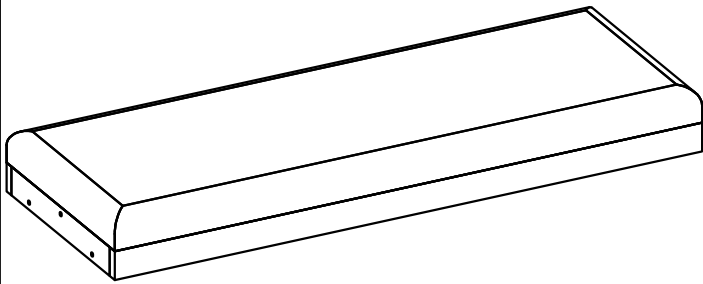


# ASSEMBLY INSTRUCTION

ITEM NO.N715P406521

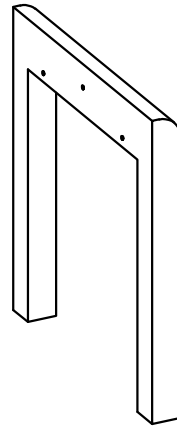
## Part List

(A)



BENCH CUSHION SEAT (1 pc)

(B)



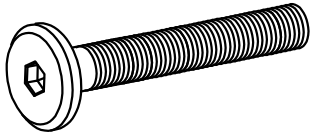
LEG (2 pcs)

# ASSEMBLY INSTRUCTION

ITEM NO.N715P406521

## Hardware List

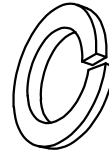
①



Ø 1/4" x 40mm

BOLT (6 pcs)

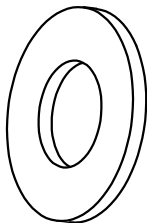
②



Ø5/16" x 13mm

LOCK WASHER (6 pcs)

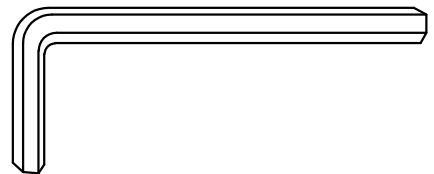
③



Ø5/16" x 19 x 2mm

FLAT WASHER (6 pcs)

④



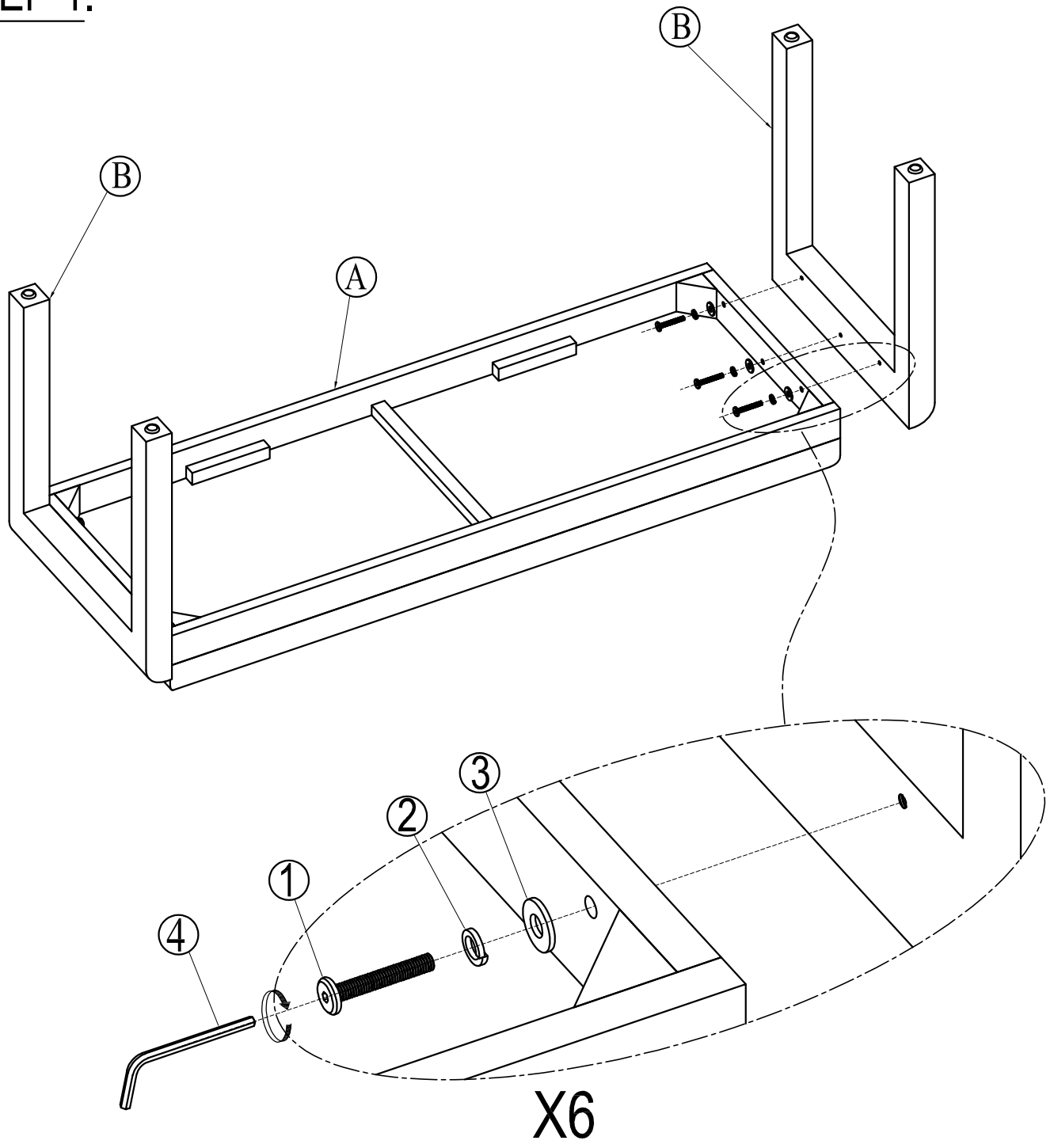
4mm




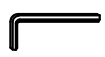
ALLEN KEY (1pc)

# ASSEMBLY INSTRUCTION

ITEM NO.N715P406521

## STEP 1:



BOLT Ø 1/4" x 40 mm	LOCK WASHER Ø5/16" x 13 mm	FLAT WASHER Ø5/16" x 19 x 2mm	ALLEN KEY 4 mm
			
① x 6	② x 6	③ x 6	④ x 1

# ASSEMBLY INSTRUCTION

ITEM NO.N715P406521

COMPLETE

