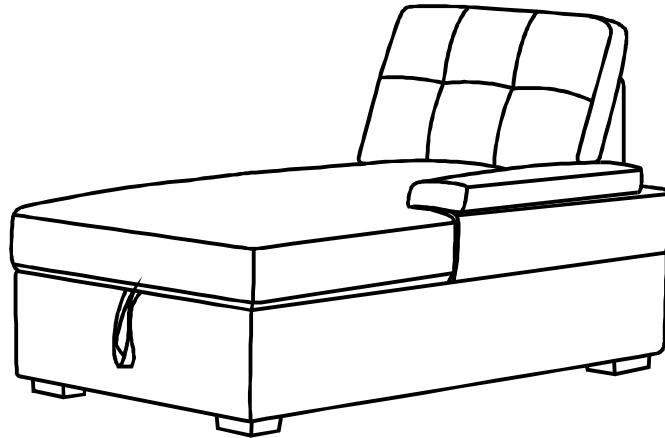
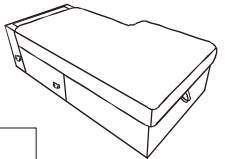
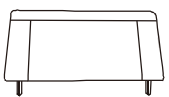
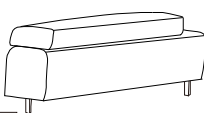
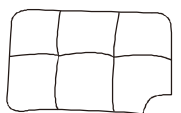


# ASSEMBLY INSTRUCTION

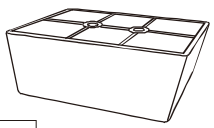
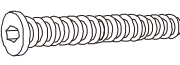


ITEM NO. F7222/F7333

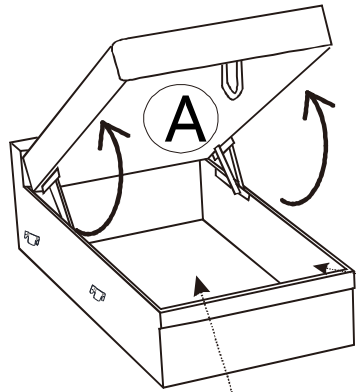




## PARTS LIST

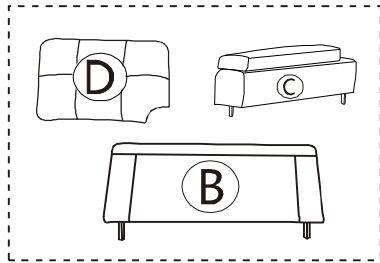
				
<b>A</b> x1	<b>B</b> x1	<b>C</b> x1	<b>D</b> x1	

## HARDWARE LIST

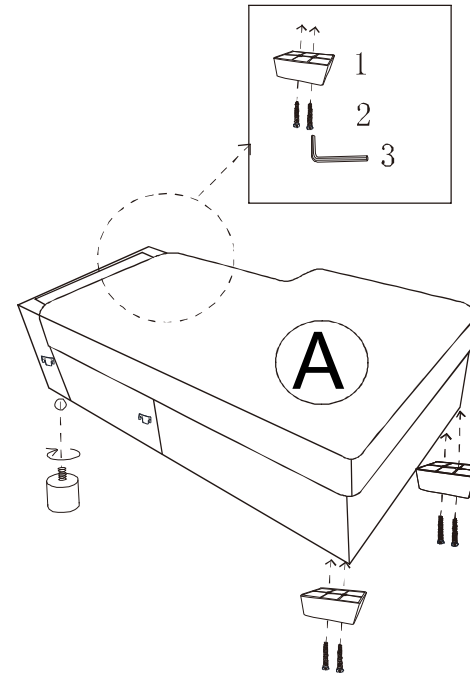
				
<b>1</b> x3	<b>2</b> x6	<b>3</b> x1	<b>4</b> x1	



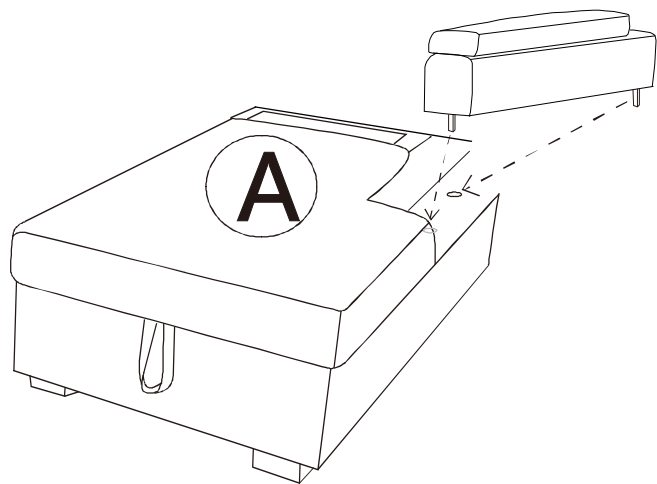
- |   |   |    |
|---|---|----|
|  | 1 | x3 |
|  | 2 | x6 |
|  | 3 | x1 |
|  | 4 | x1 |



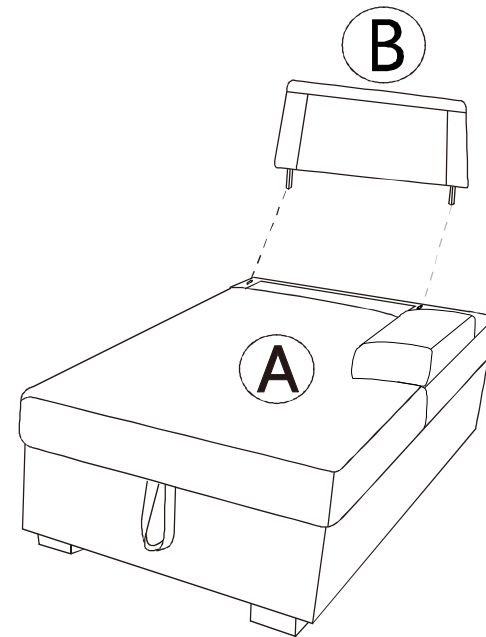
### Step1



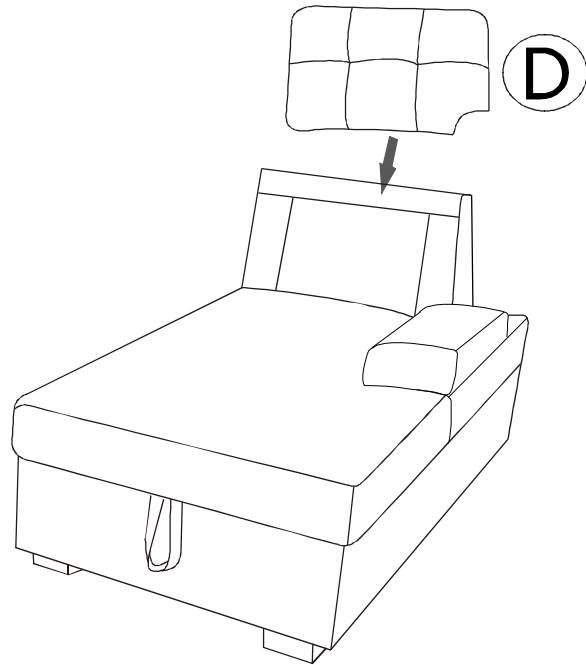
### Step2



### Step3



## Step4



## Step5

