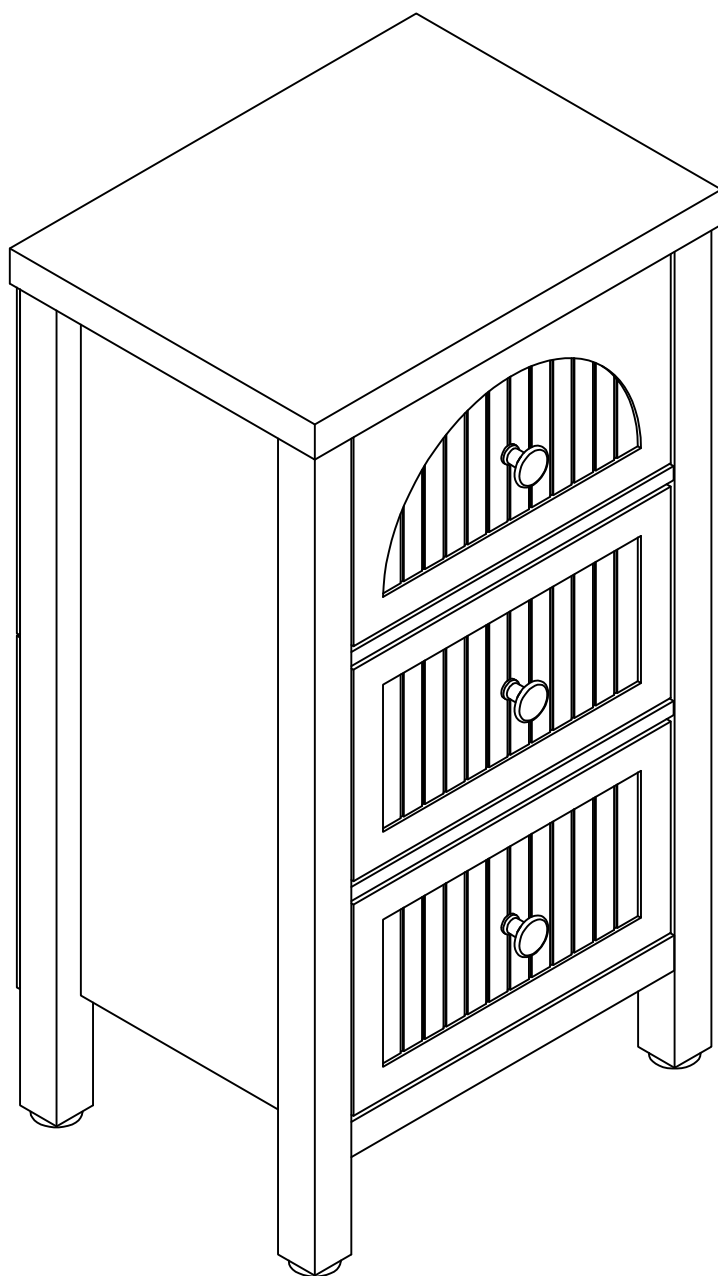
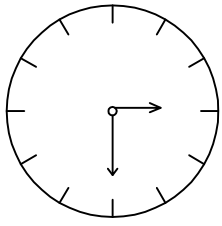


# ASSEMBLY INSTRUCTION



## Estimated time for assembly

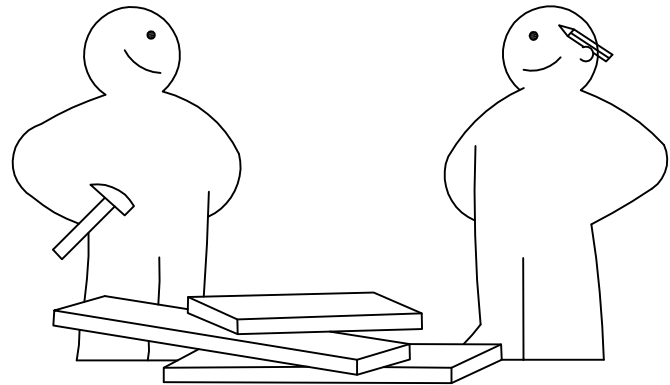
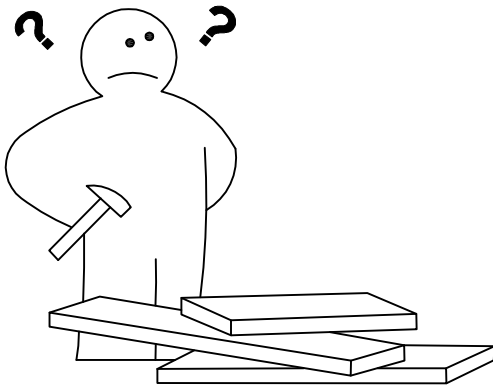
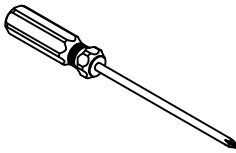


**60:00**

---

## What you need

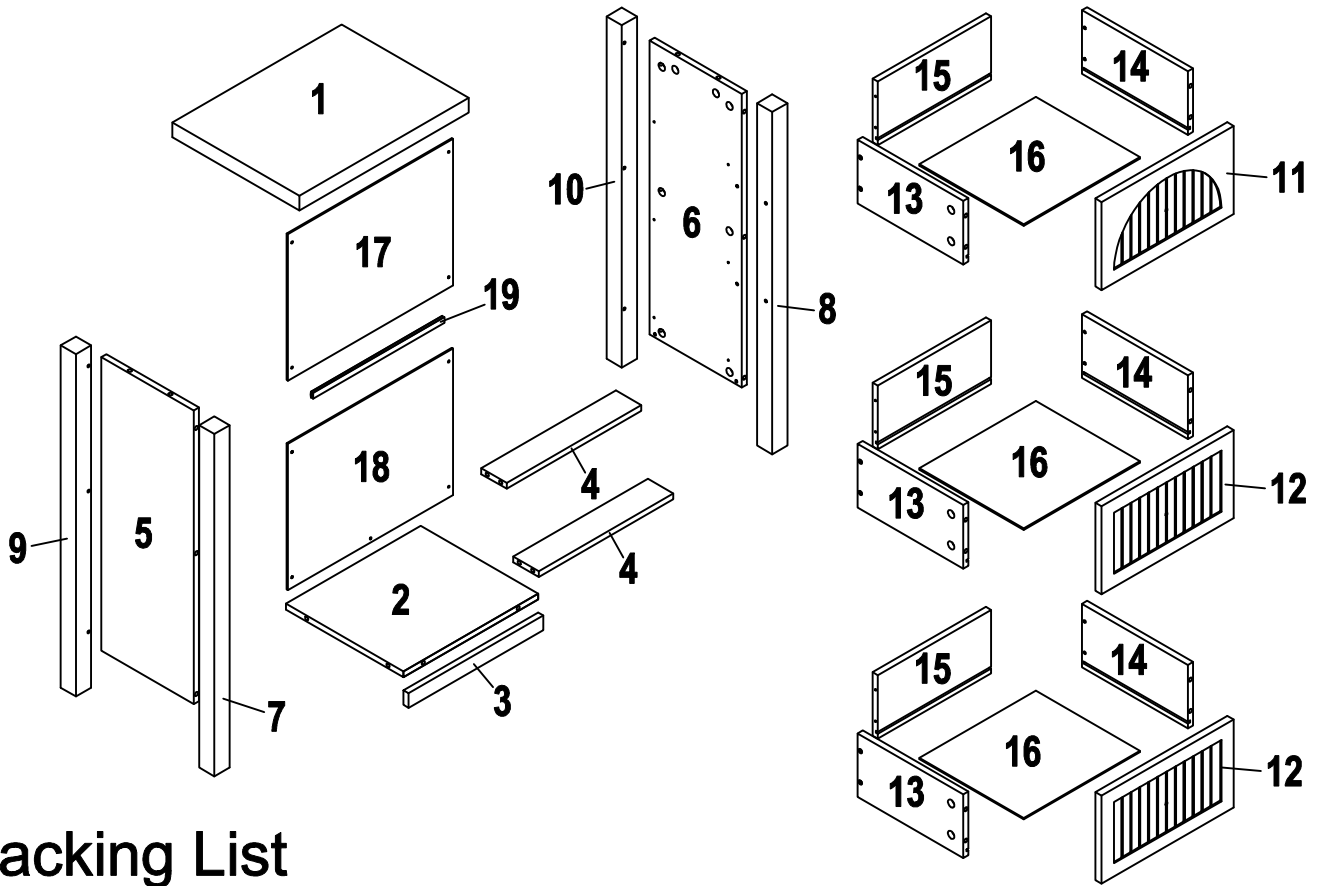
- Use the packaging carton as a working surface to prevent product damage during assembly.
- Phillips head screwdriver.



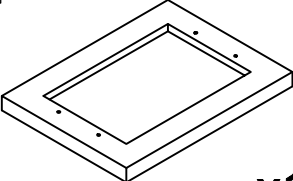
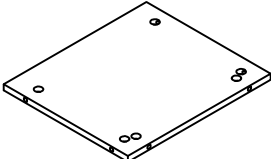
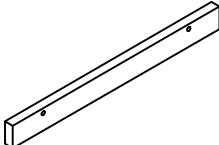
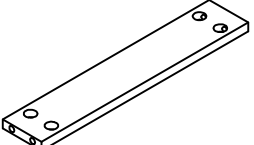
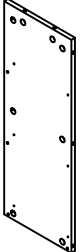
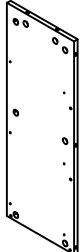




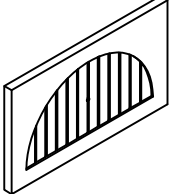
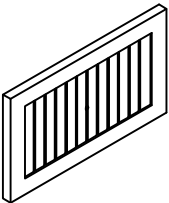
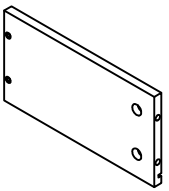
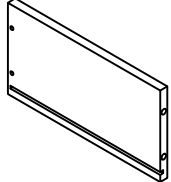
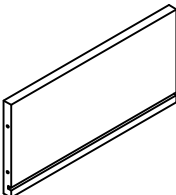
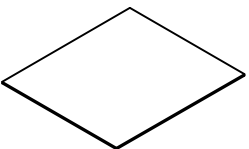
---

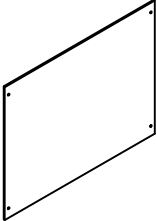
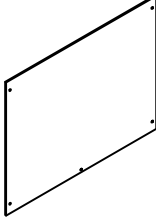
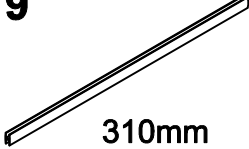
## IMPORTANT:





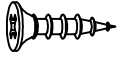
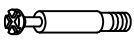

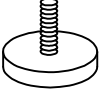
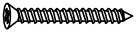


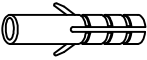
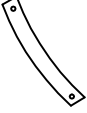
1. Do not tighten bolts / screws completely until all bolts / screws are lined up and inserted into holes.
2. Do not over tighten screws and bolts to avoid stripping
3. Please use hand tools to assemble this product, Do not use power tools.



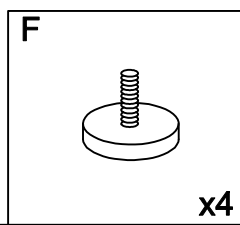
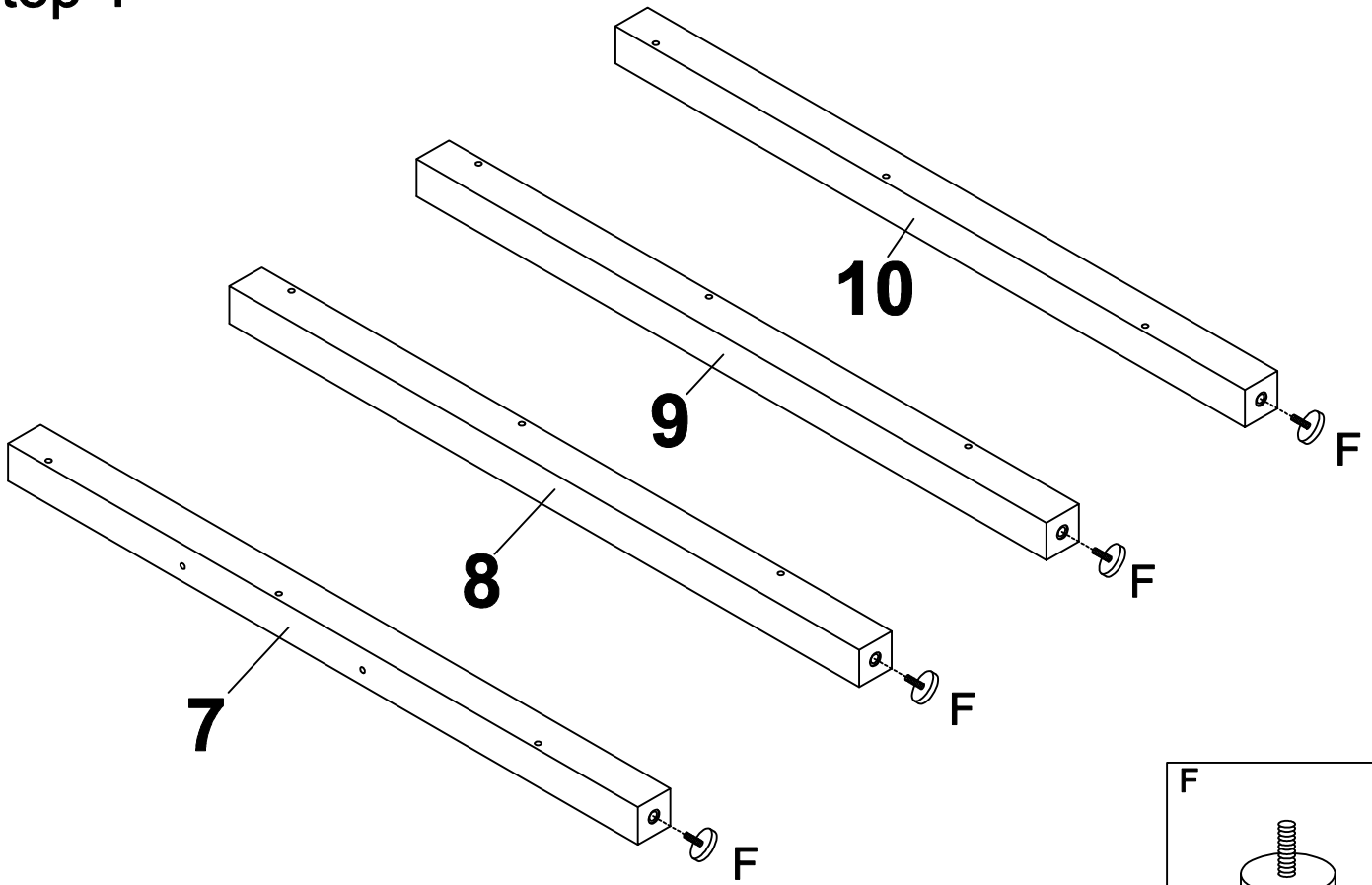
## Packing List

<b>1</b>  x1	<b>2</b>  x1	<b>3</b>  x1	<b>4</b>  x2
<b>5</b>  x1	<b>6</b>  x1	<b>7</b>  x1	<b>8</b>  x1
<b>9</b>  x1	<b>10</b>  x1	<b>11</b>  x1	<b>12</b>  x2
<b>13</b>  x3	<b>14</b>  x3	<b>15</b>  x3	<b>16</b>  x3

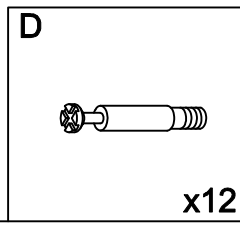
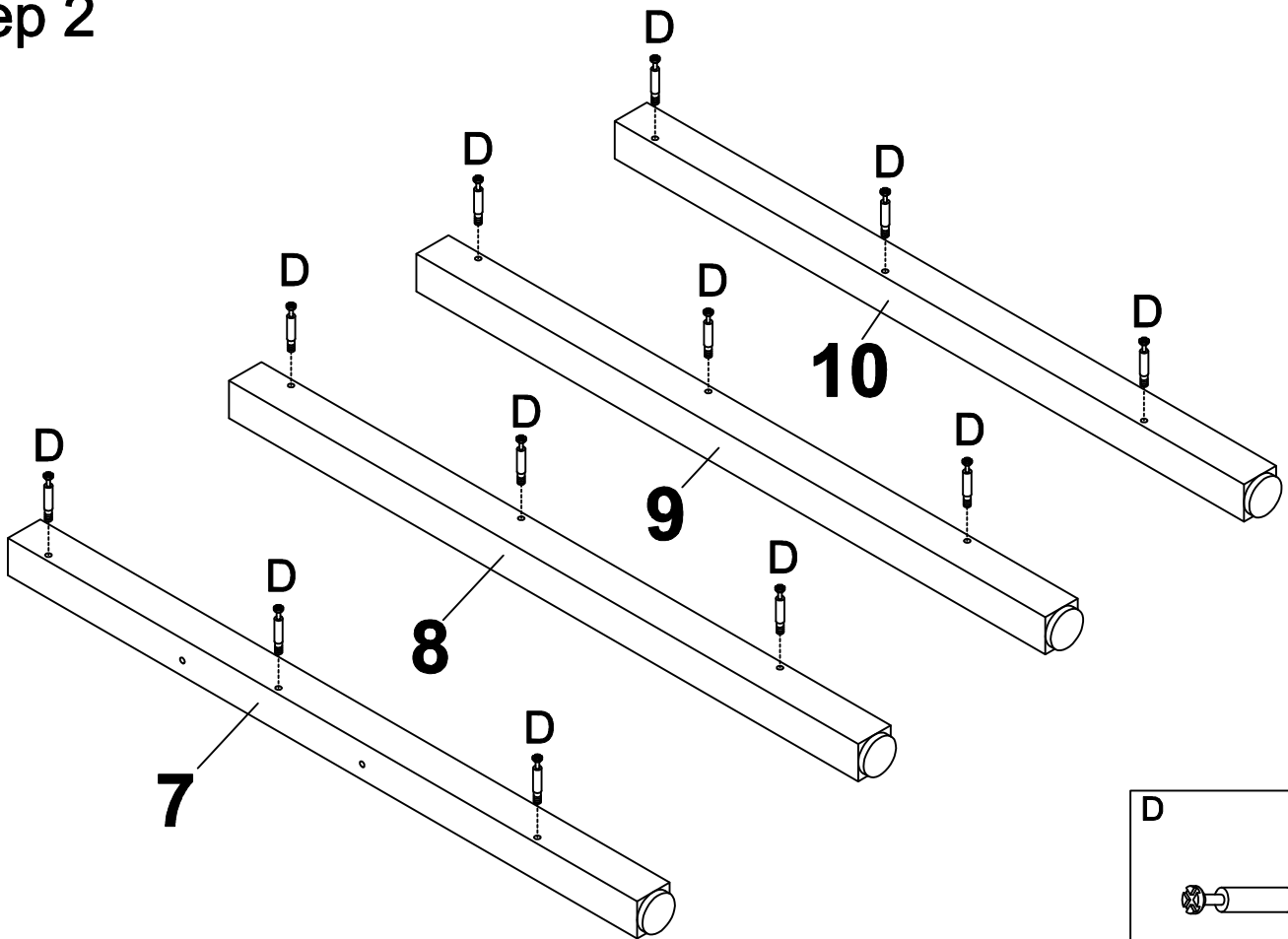
<b>17</b>  <b>x1</b>	<b>18</b>  <b>x1</b>	<b>19</b>  310mm <b>x1</b>	
---	---	---	--

<b>A1</b>  <b>x3</b>	<b>A2</b>  <b>x3</b>	<b>B1</b>  <b>x3</b>	<b>B2</b>  <b>x3</b>	<b>C</b> M3.5x12  <b>x35</b>
<b>D</b>  <b>x42</b>	<b>E</b>  <b>x42</b>	<b>F</b>  <b>x4</b>	<b>G</b> M3.5x40  <b>x14</b>	<b>H</b>  <b>x3</b>
<b>I</b> M4x20  <b>x3</b>	<b>J</b>  <b>x2</b>	<b>K</b>  <b>x2</b>		

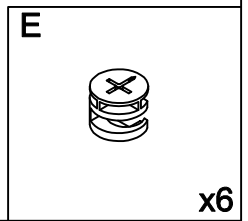
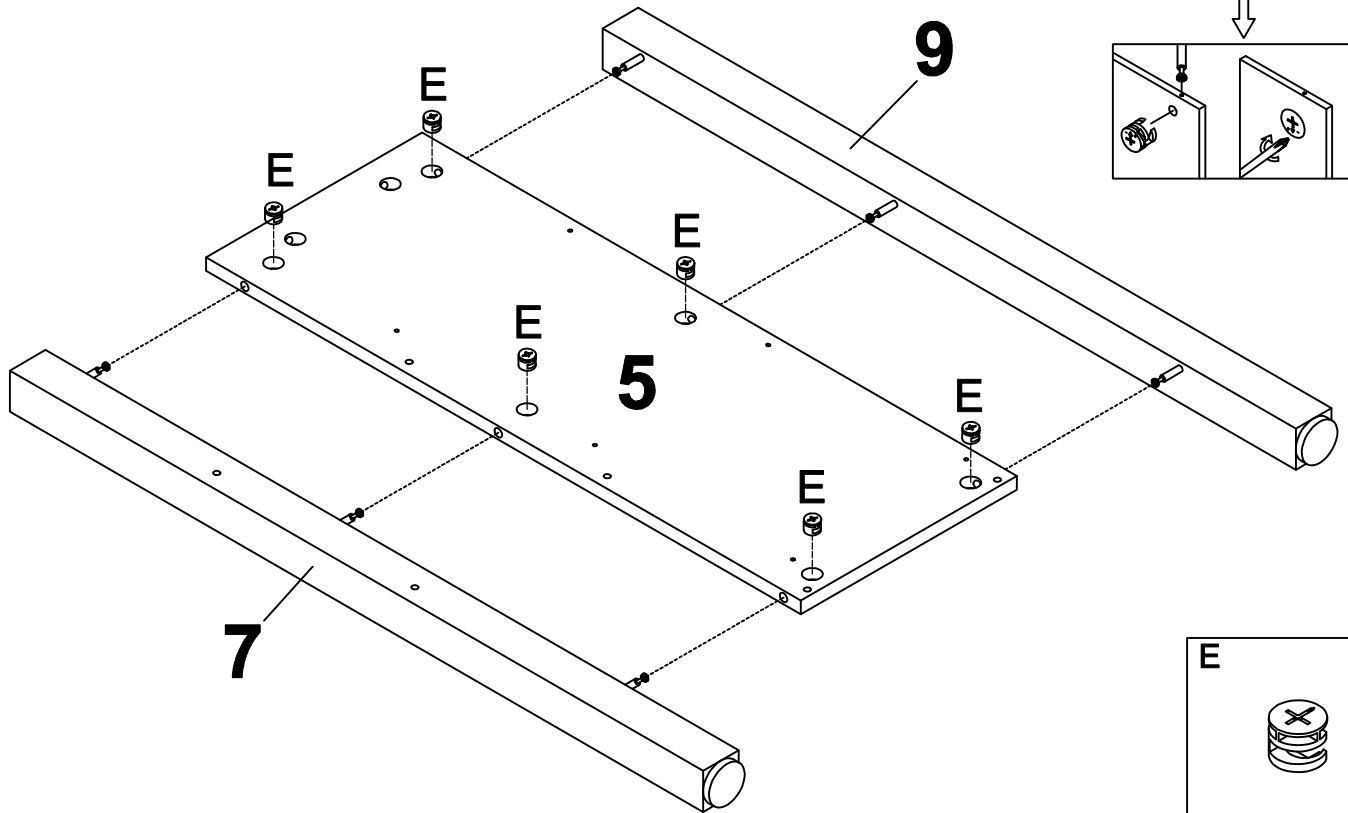
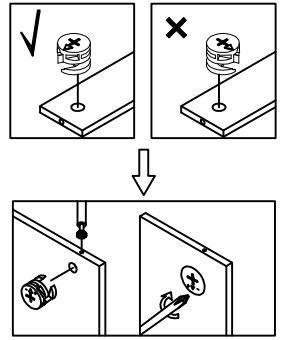
# Step 1



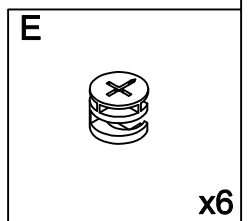
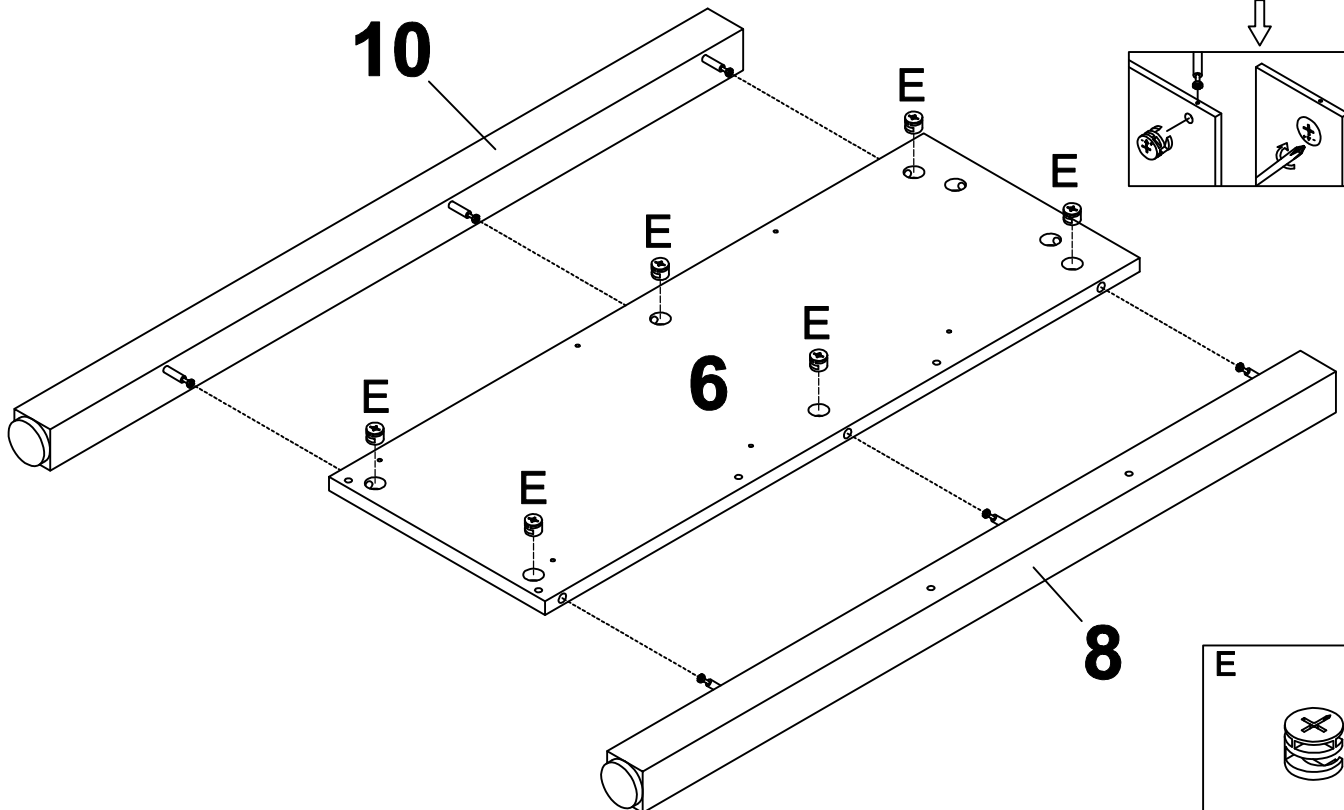
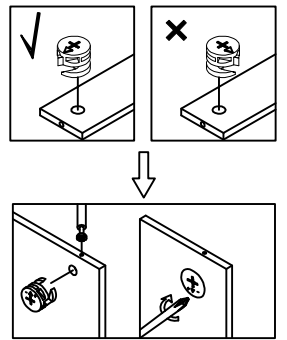
# Step 2



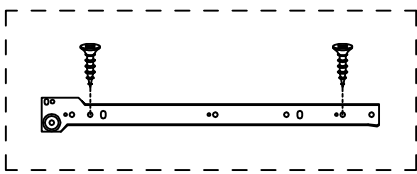
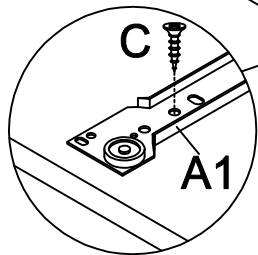
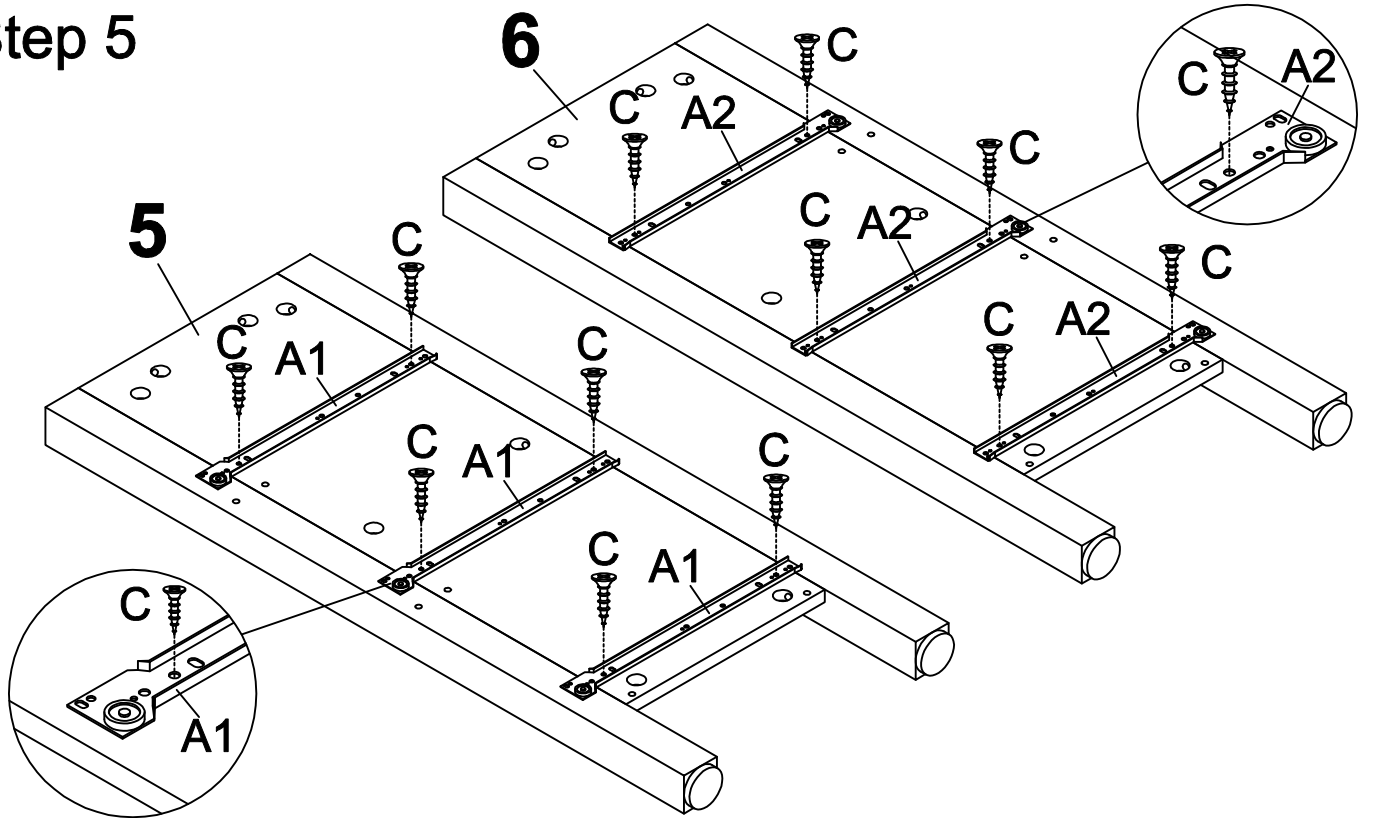
# Step 3



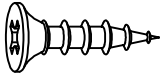


# Step 4

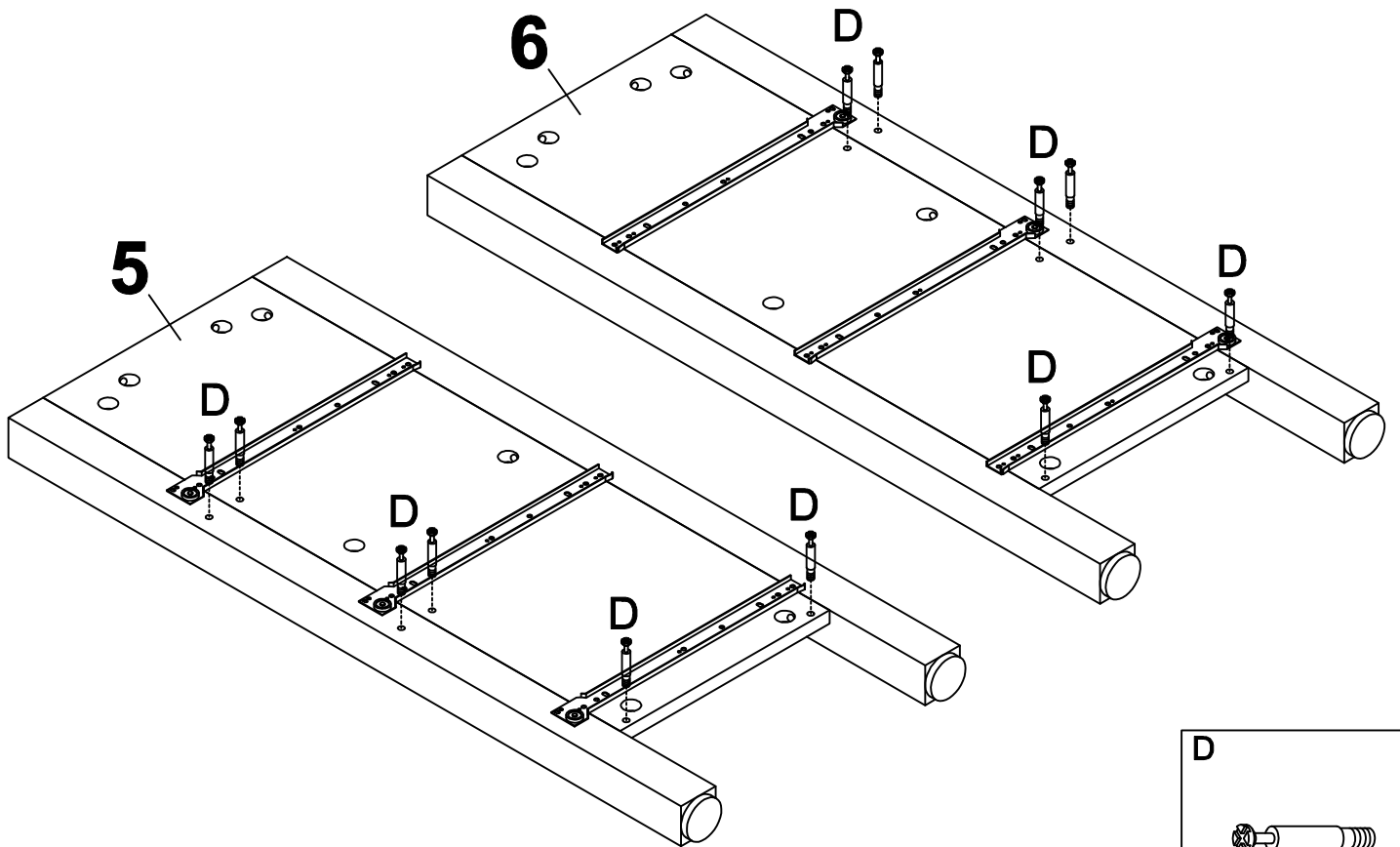


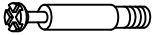
# Step 5



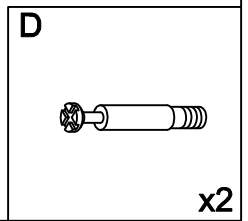
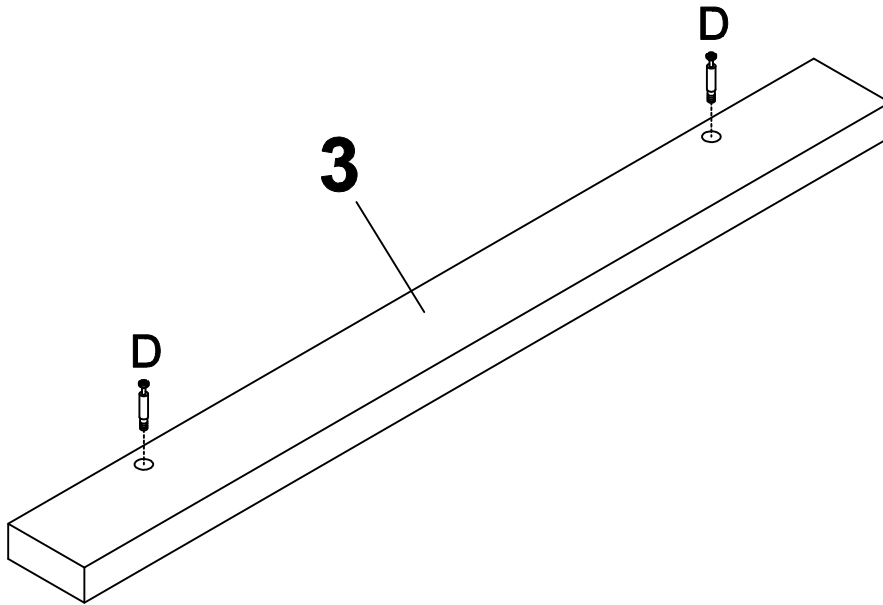
A1	A2	C M3.5x12
		
x3	x3	x12

# Step 6

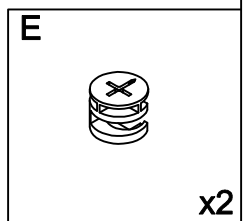
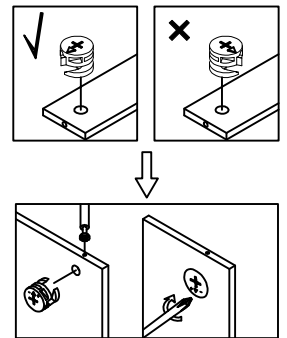
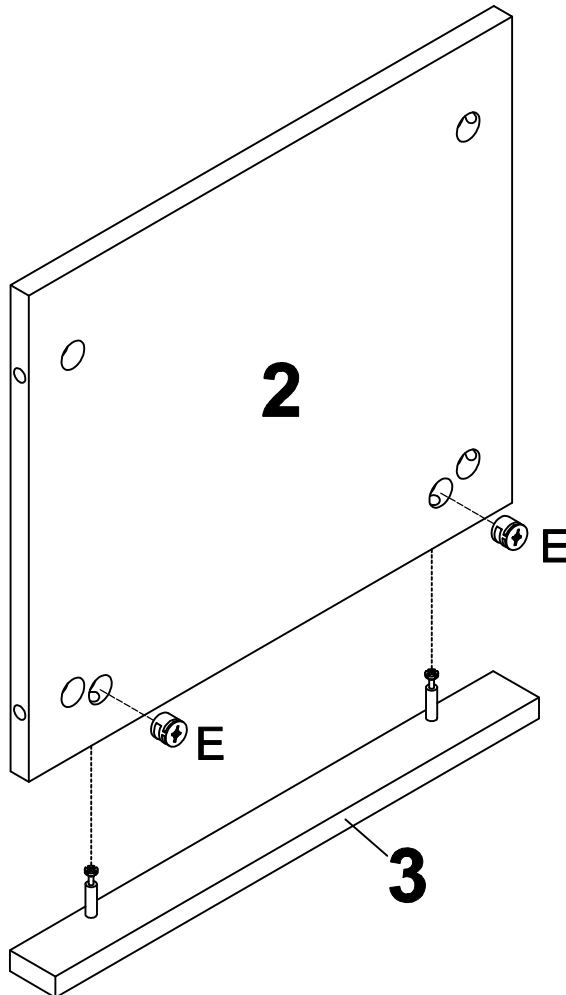


D

x12

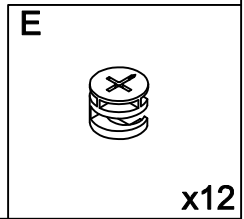
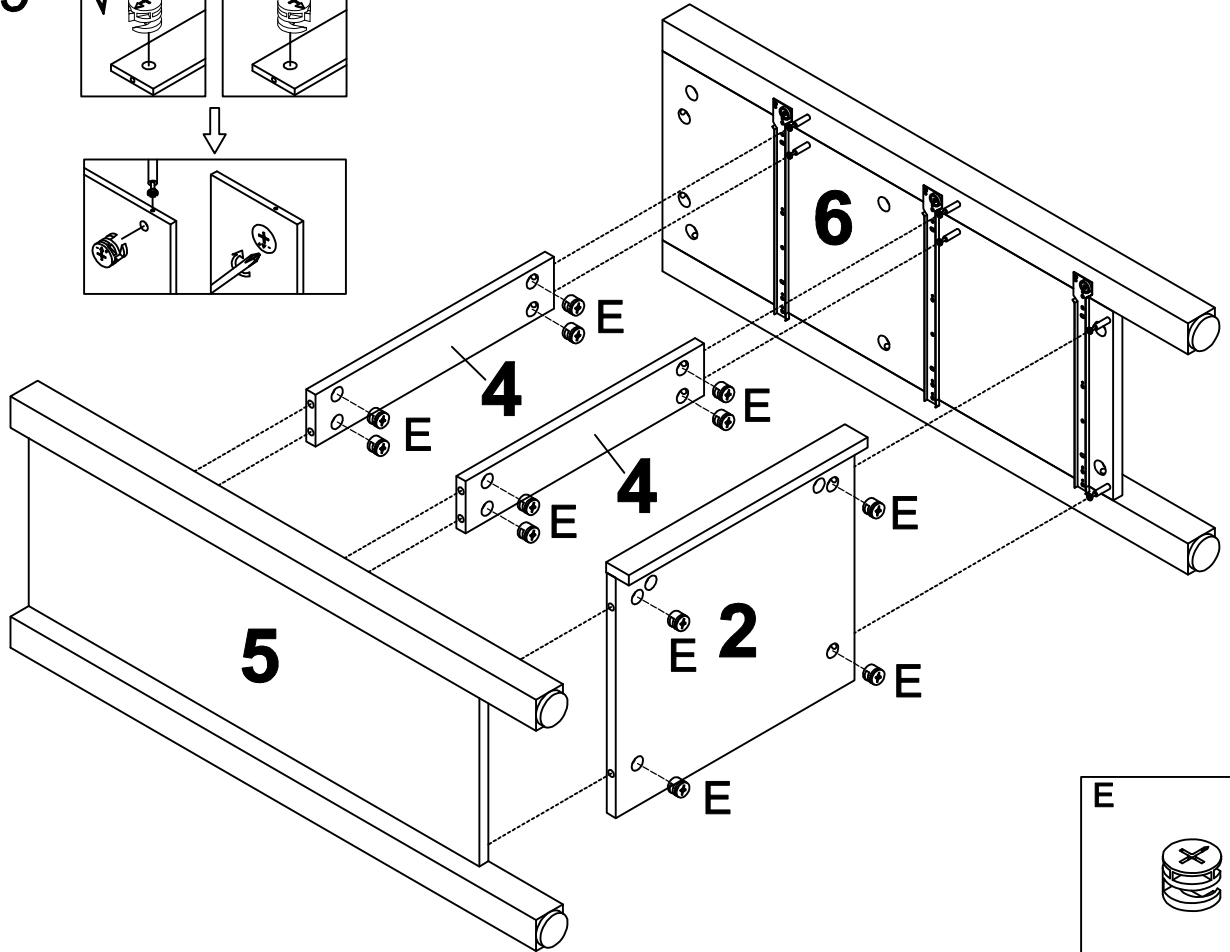
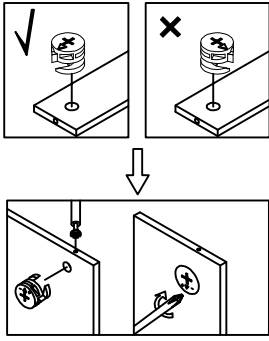
# Step 7



# Step 8

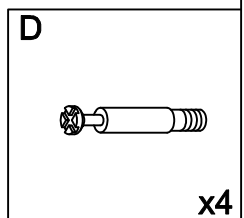
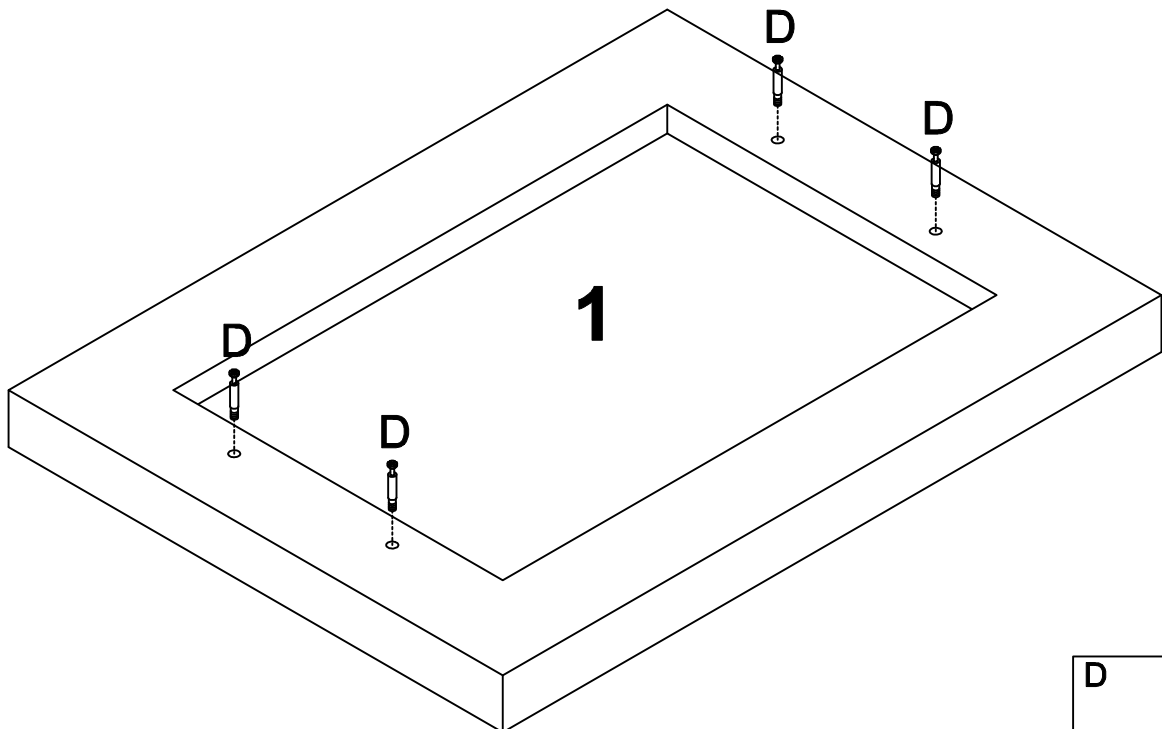


# Step 9



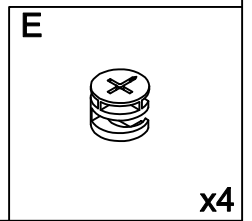
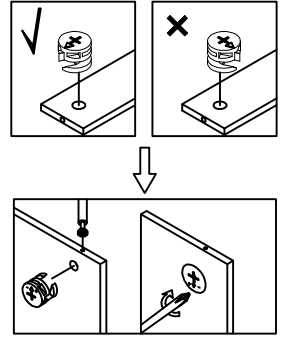
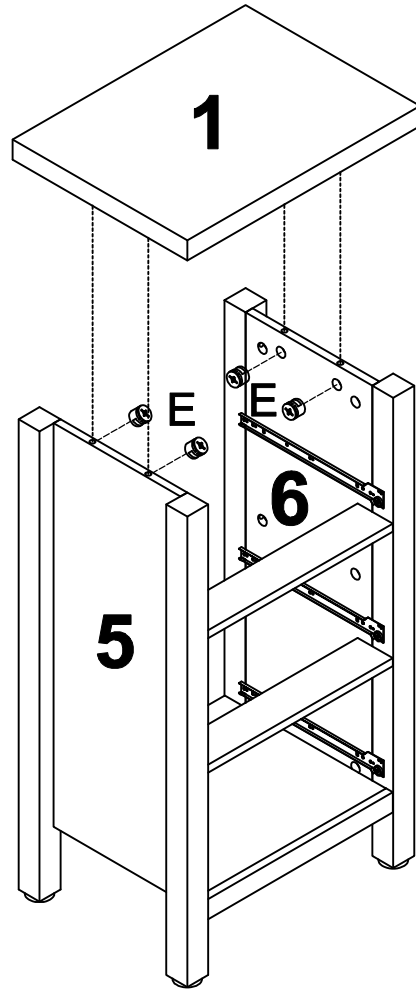
x12

# Step 10



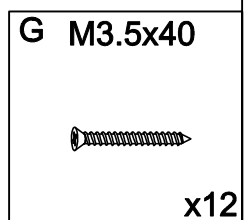
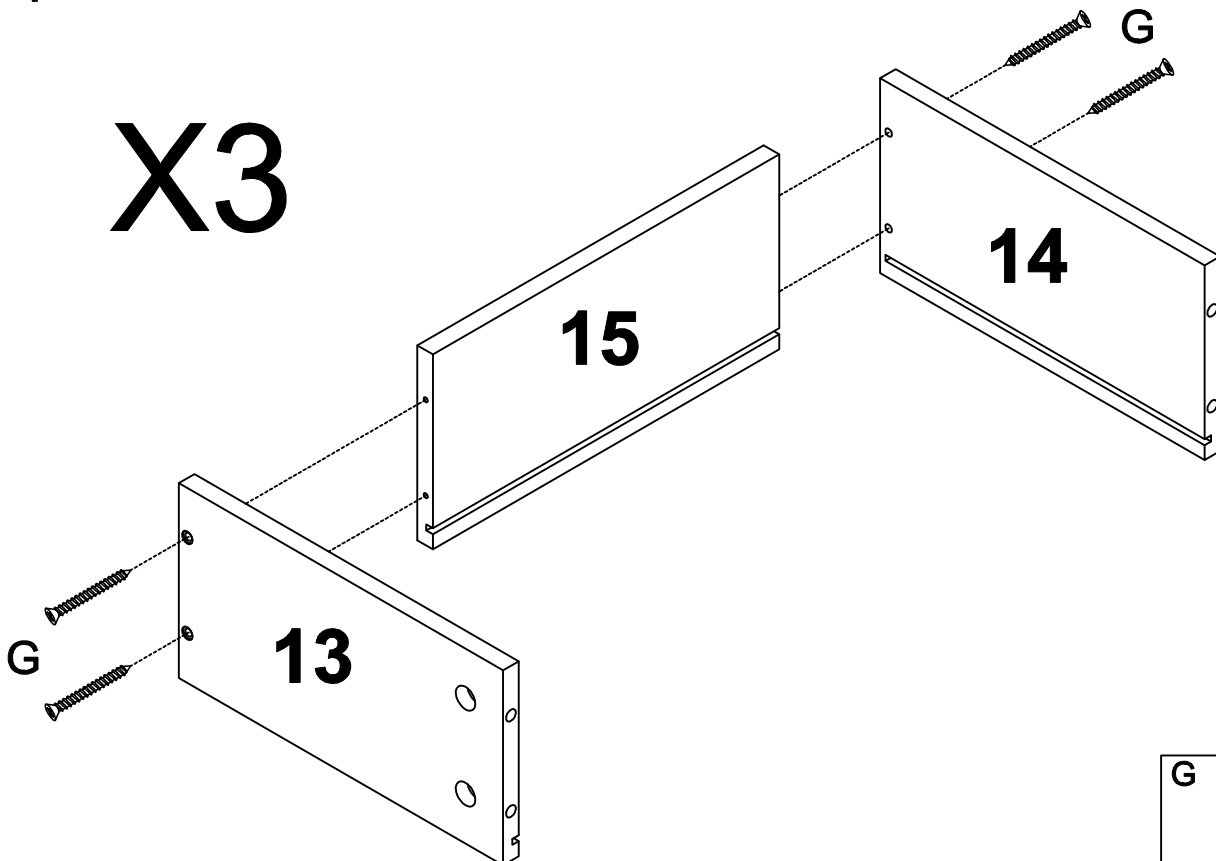
x4

# Step 11



# Step 12

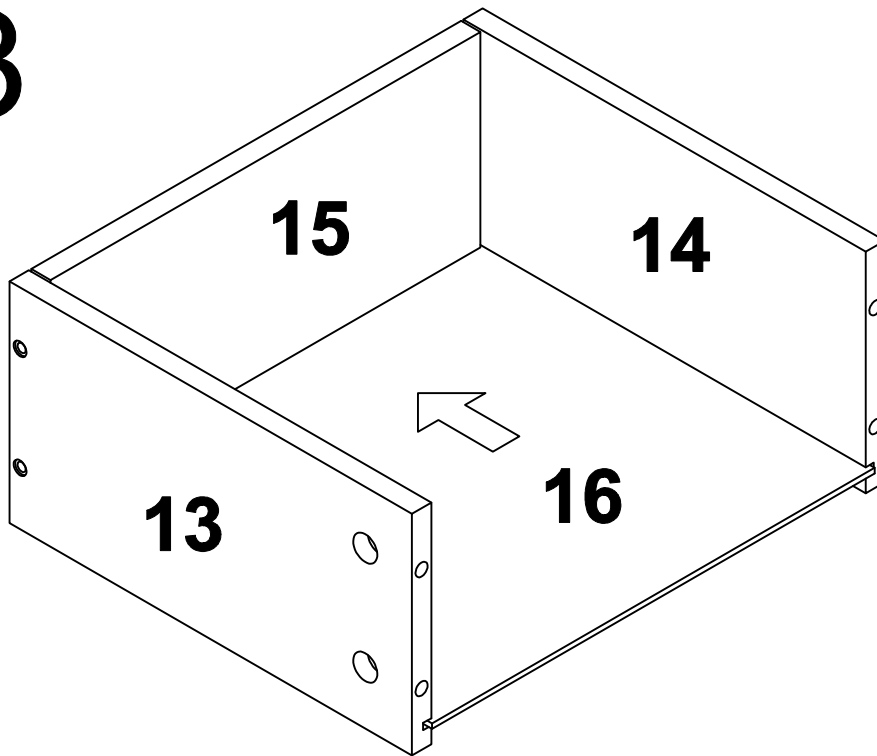
**X3**



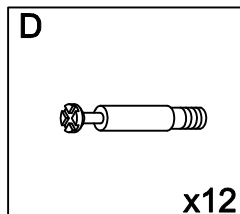
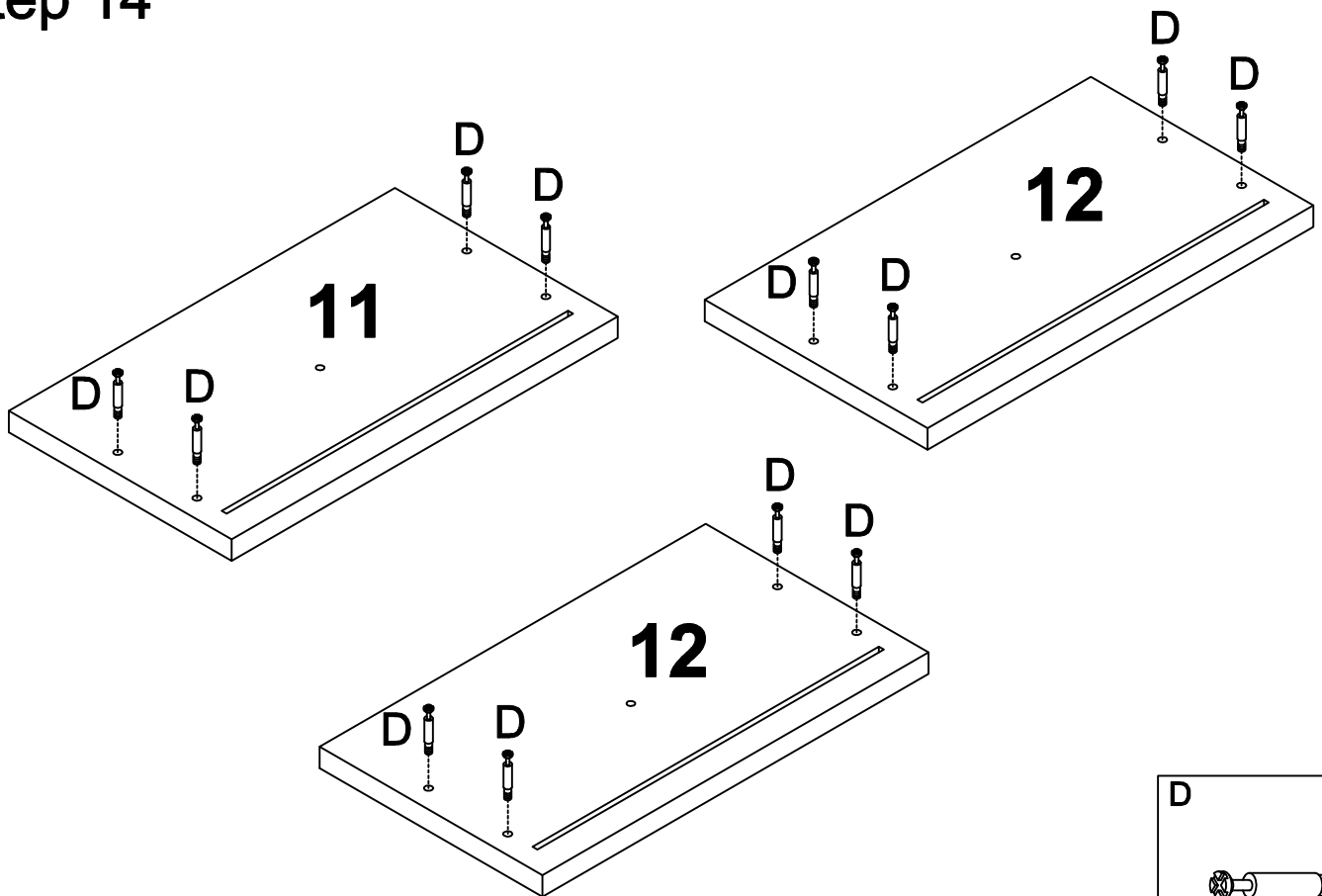
x12

# Step 13

# X3

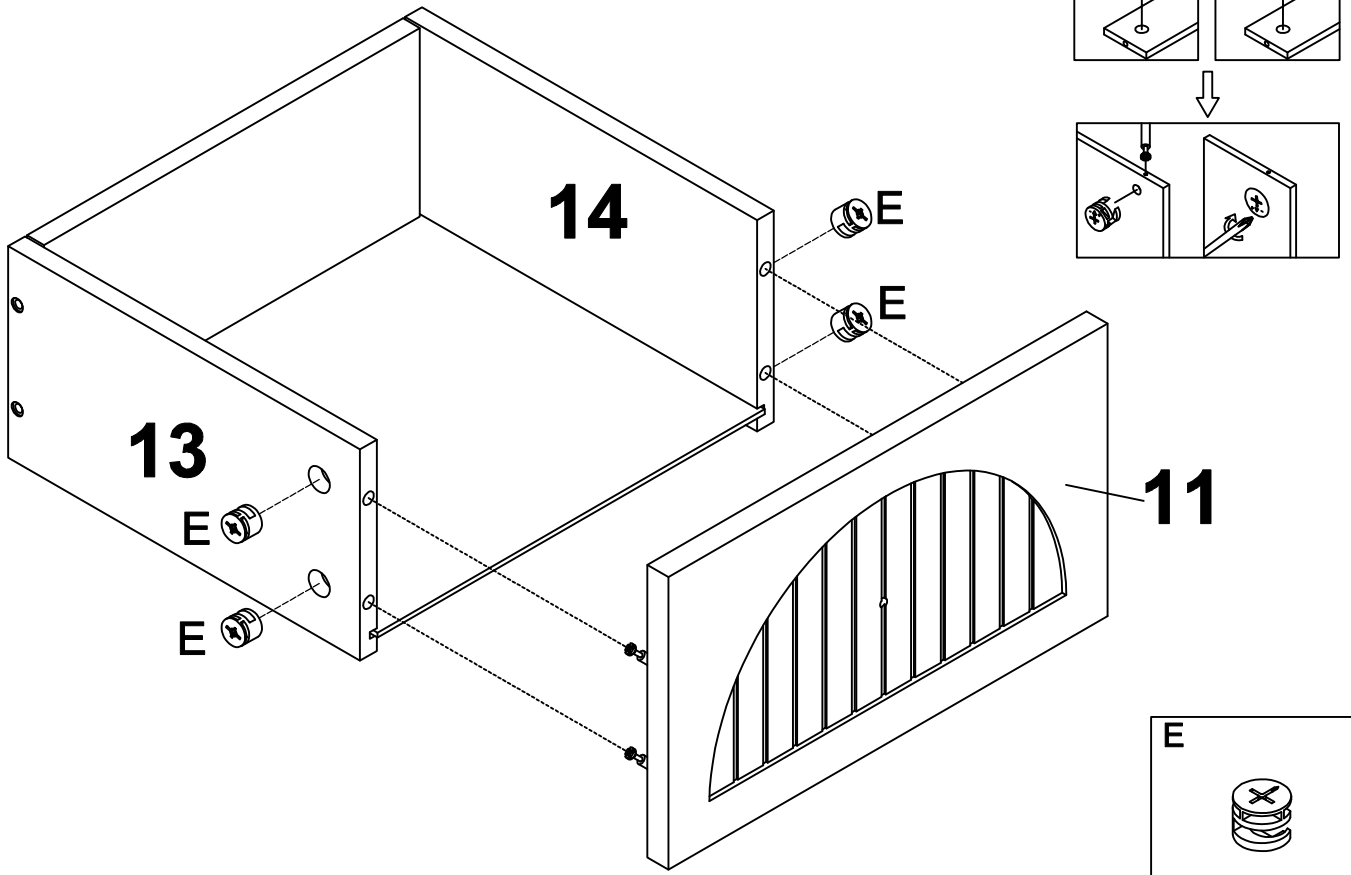


# Step 14

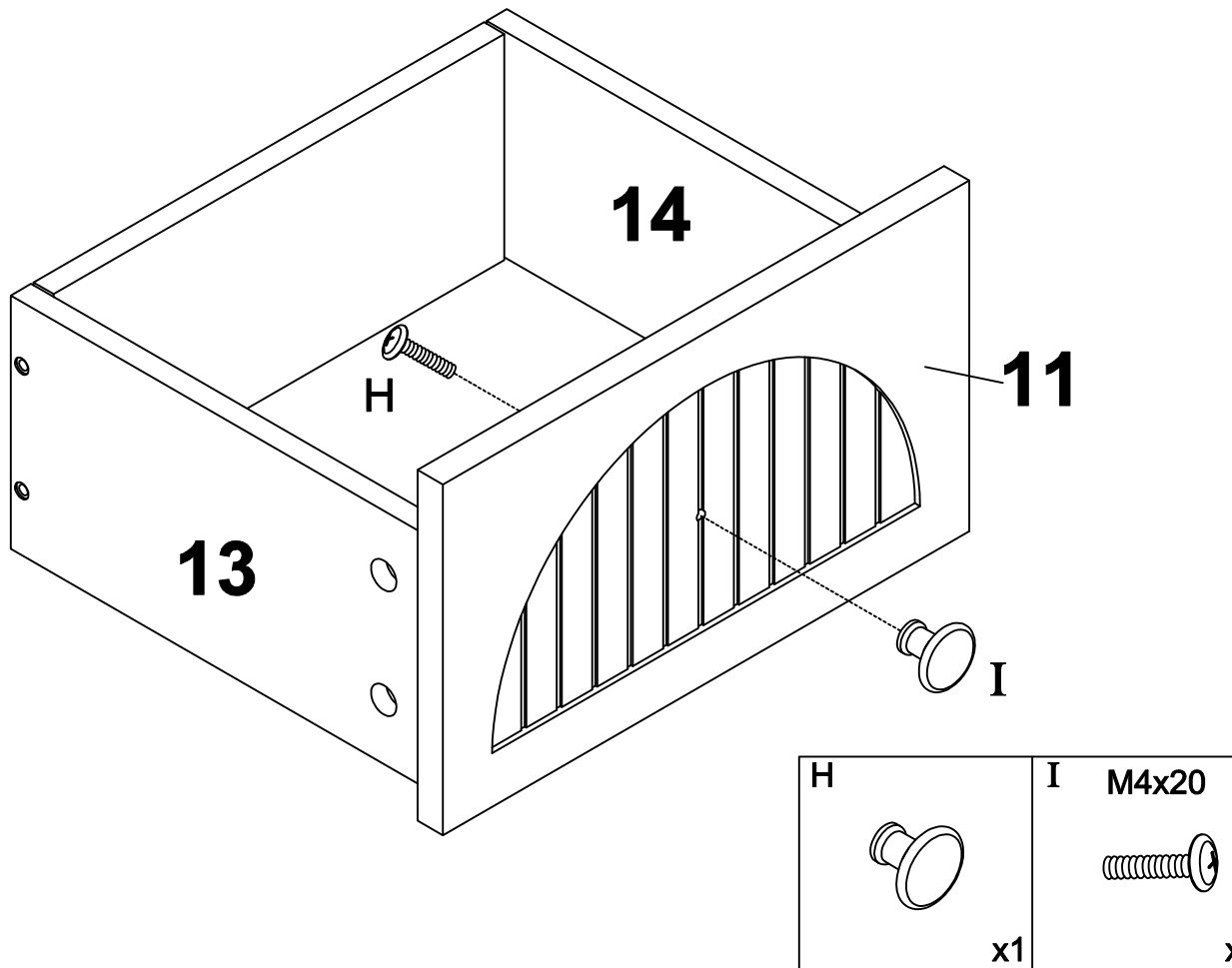


x12

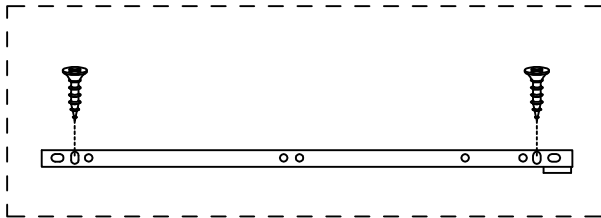
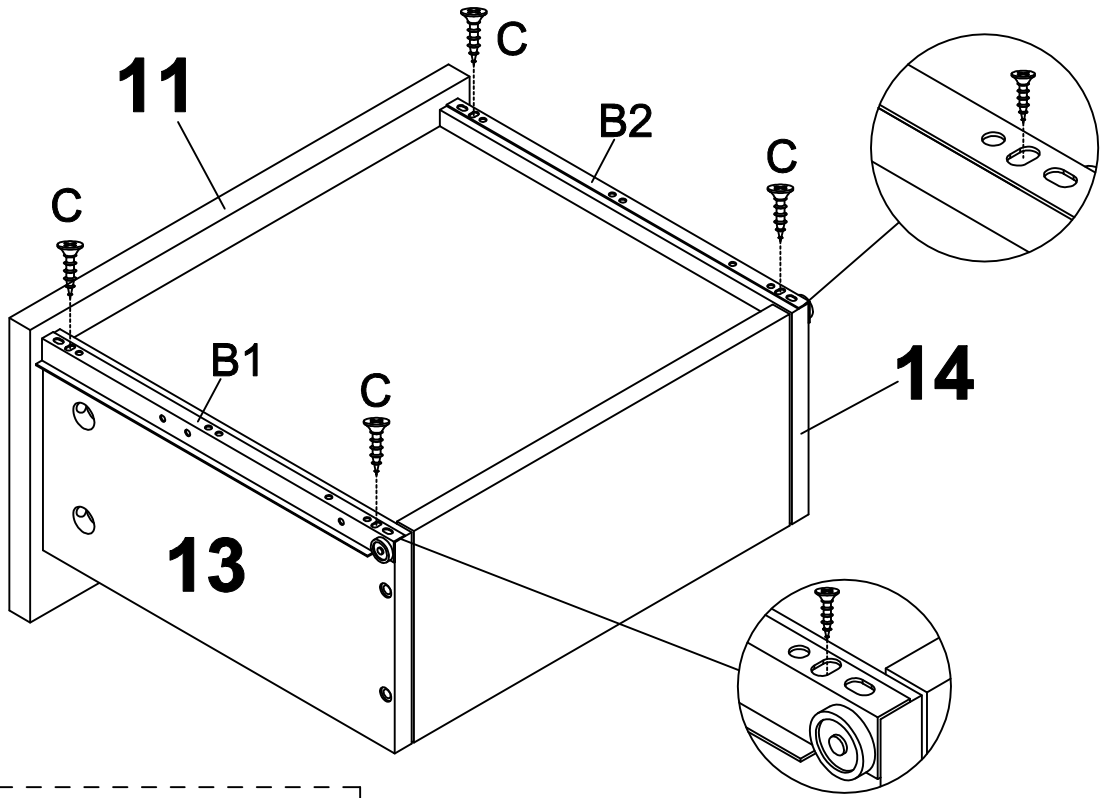
# Step 15



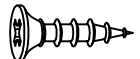


# Step 16

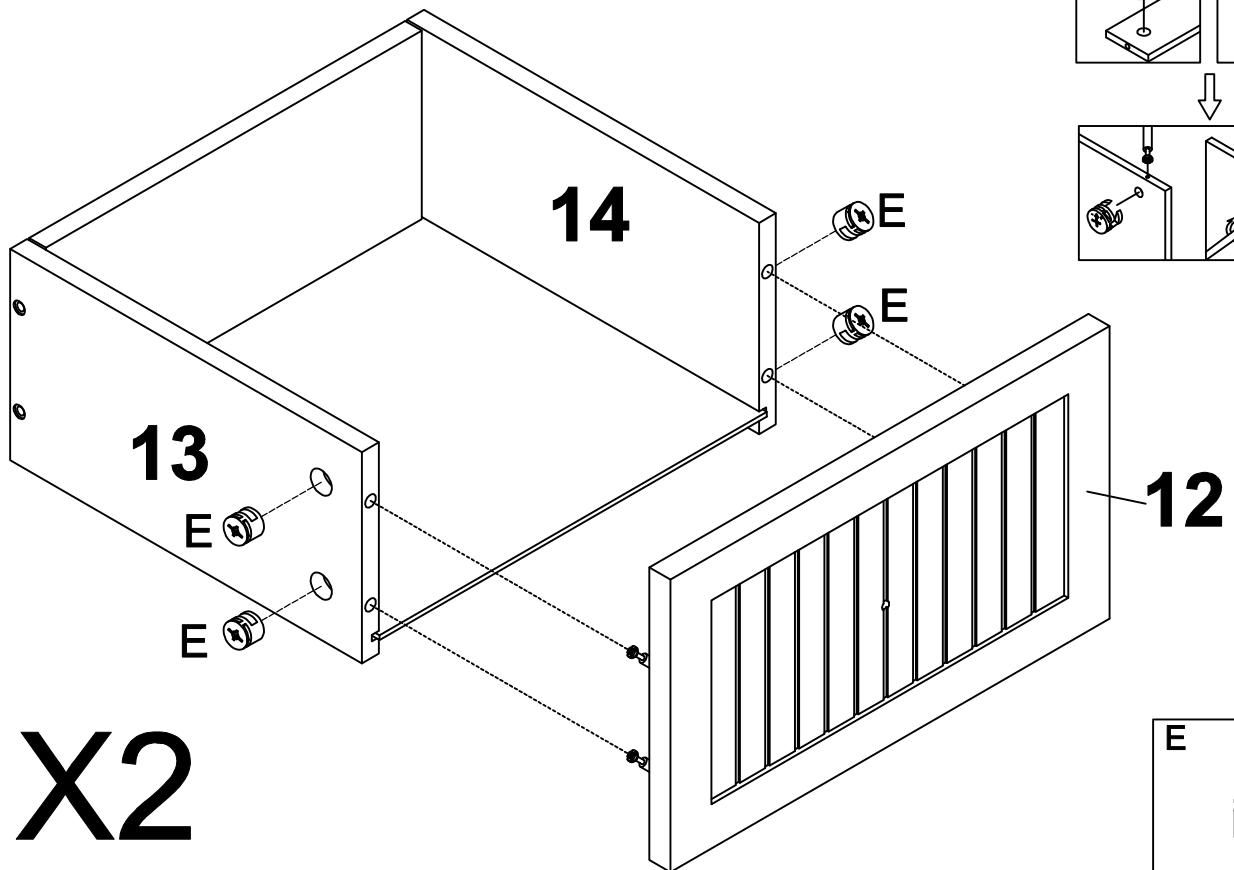



# Step 17



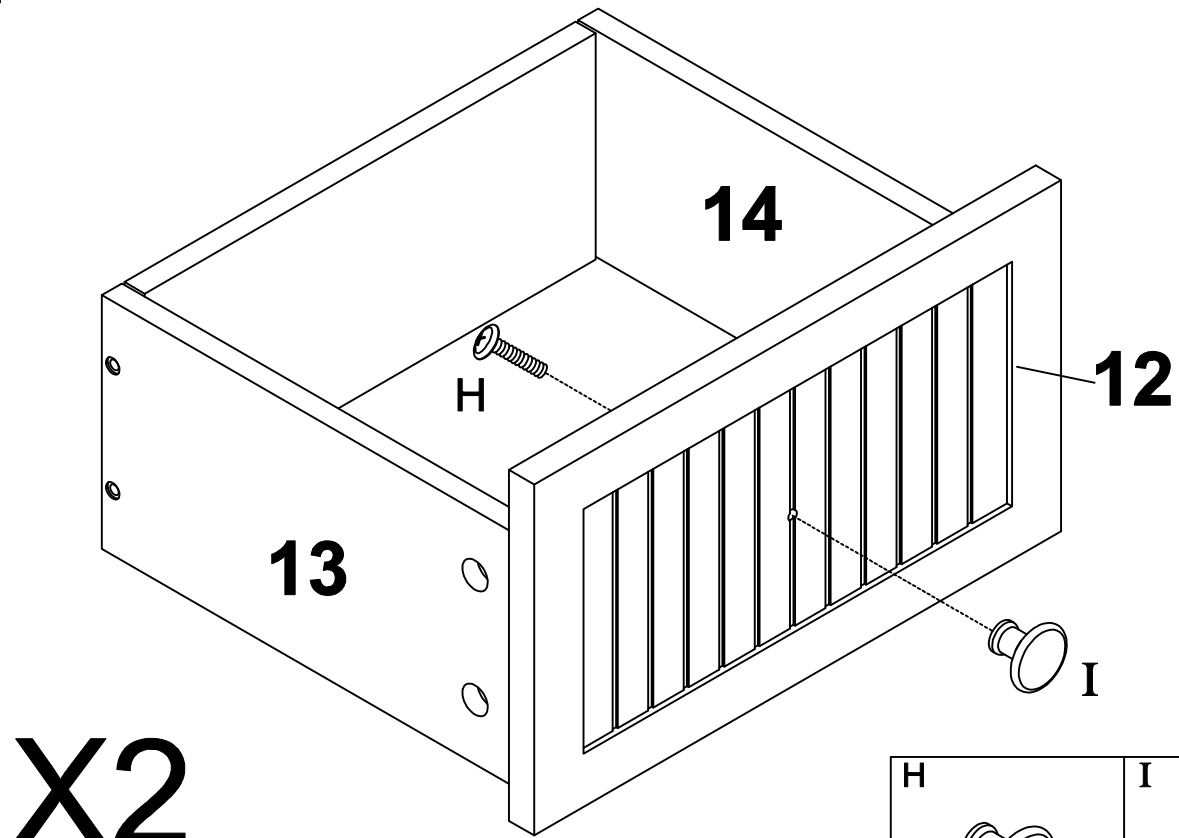
<b>B1</b>  x1	<b>B2</b>  x1	<b>C M3.5x12</b>  x4
--	---	---

# Step 18

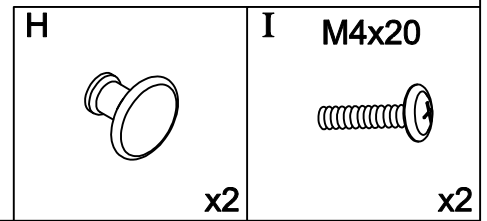


<b>E</b>  x8
---

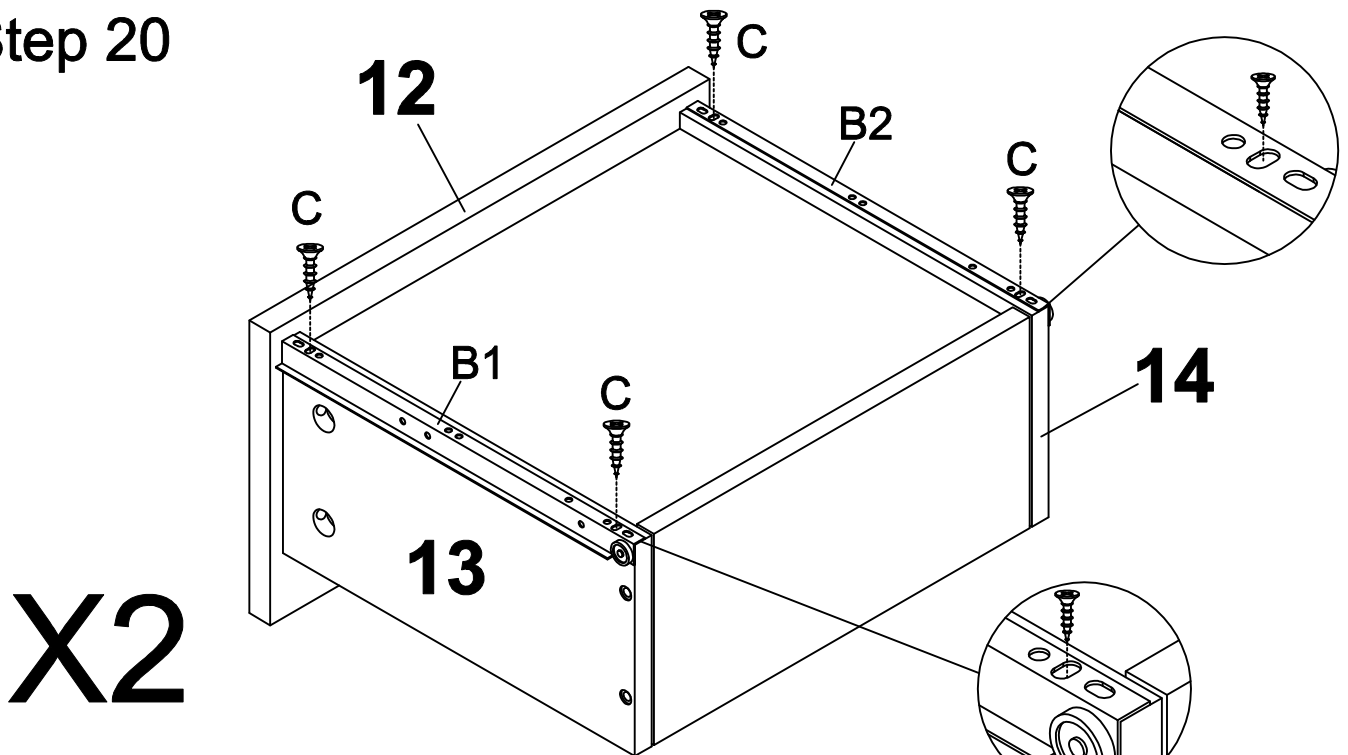
# Step 19



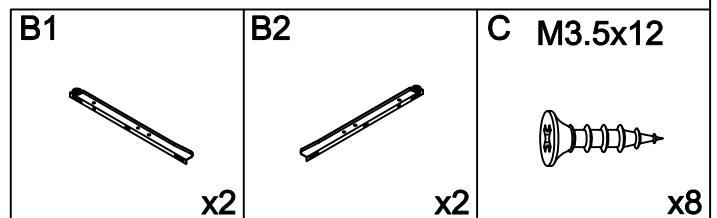
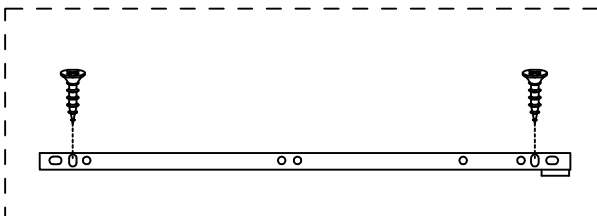
**X2**



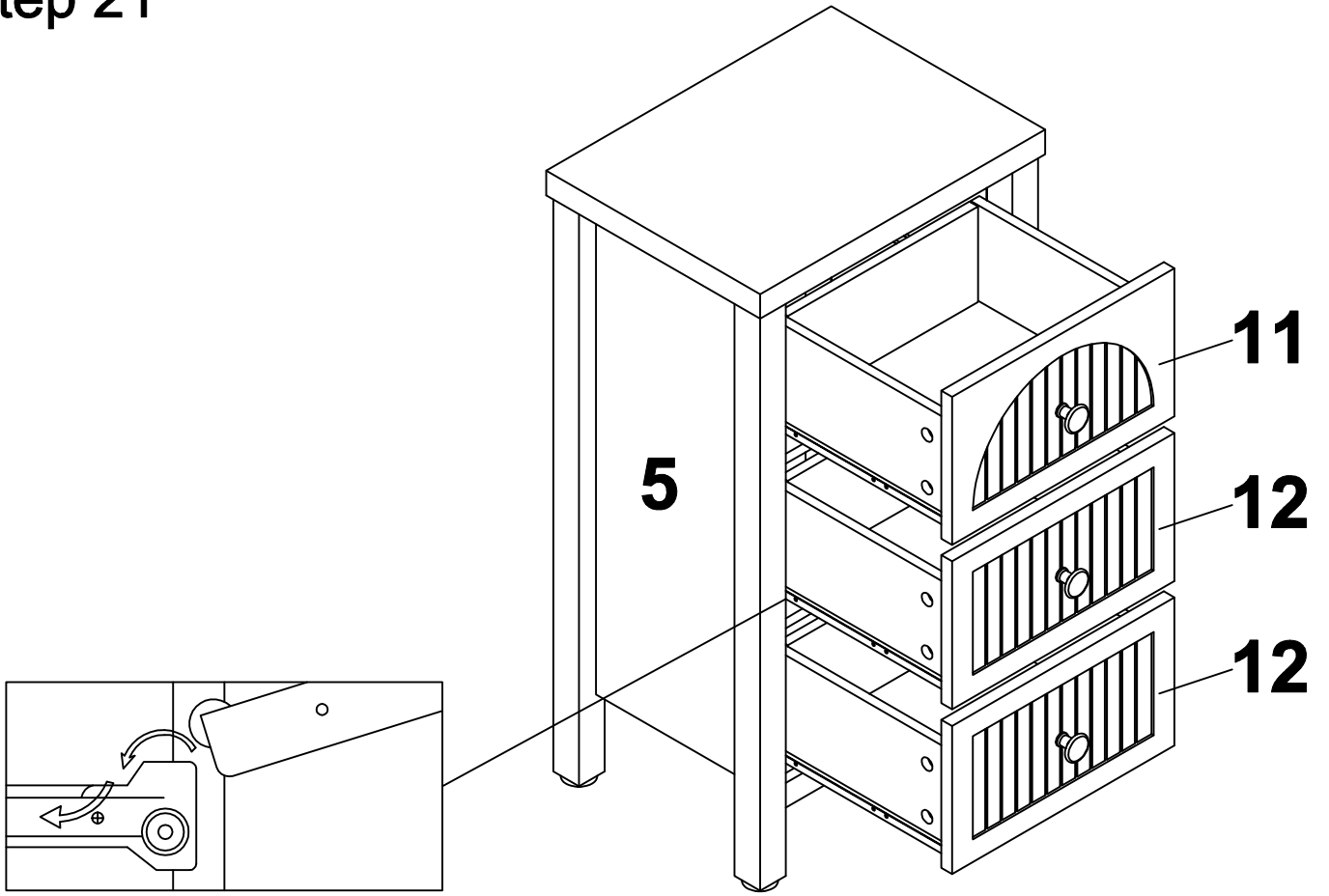
# Step 20



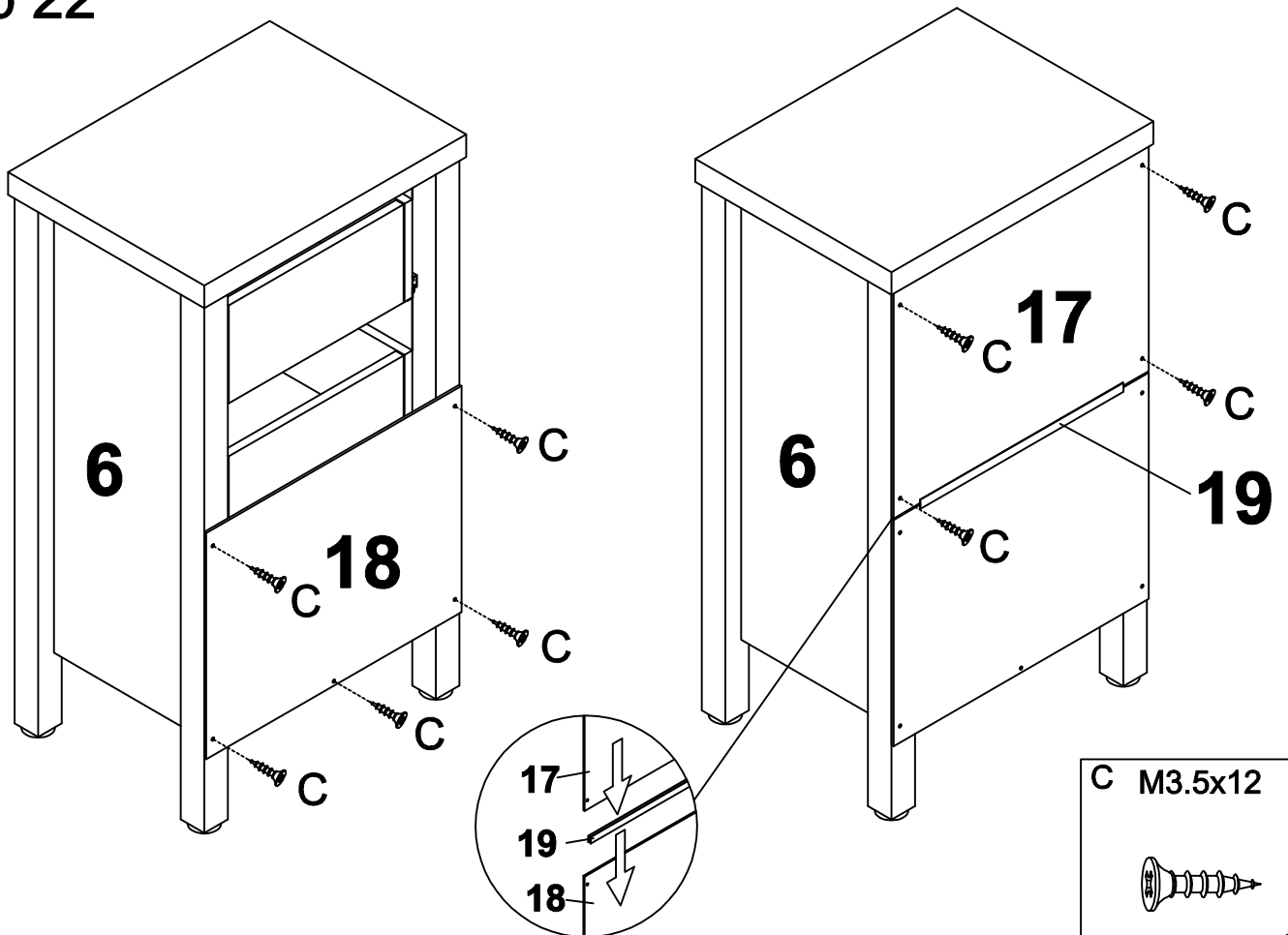
**X2**



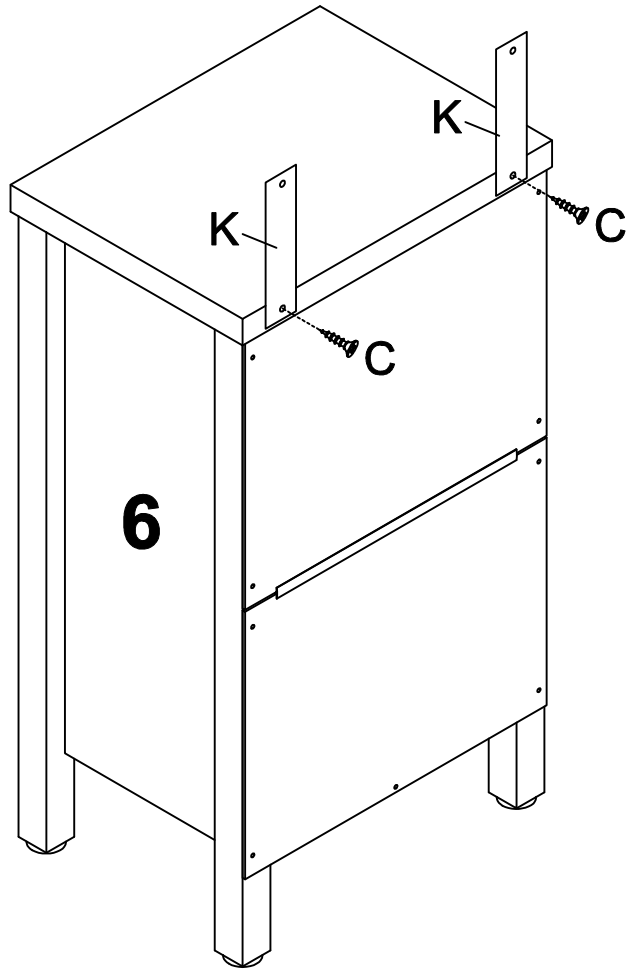
# Step 21

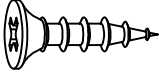
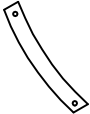


# Step 22

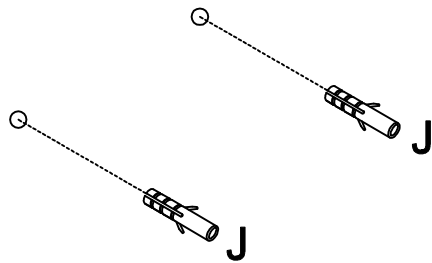


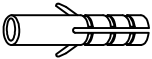
# Step 23



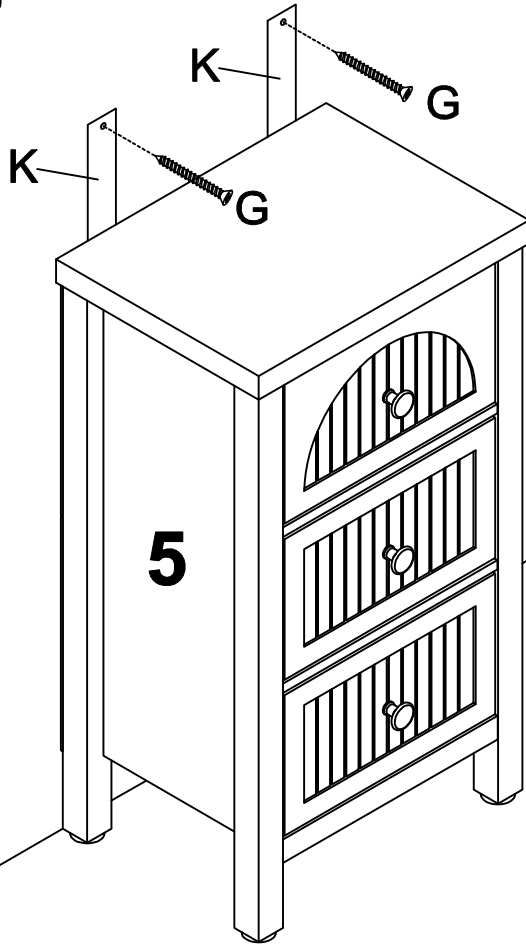
<b>C</b> M3.5x12	<b>K</b>
	
x2	x2

# Step 24



<b>J</b>

x2

# Step 25

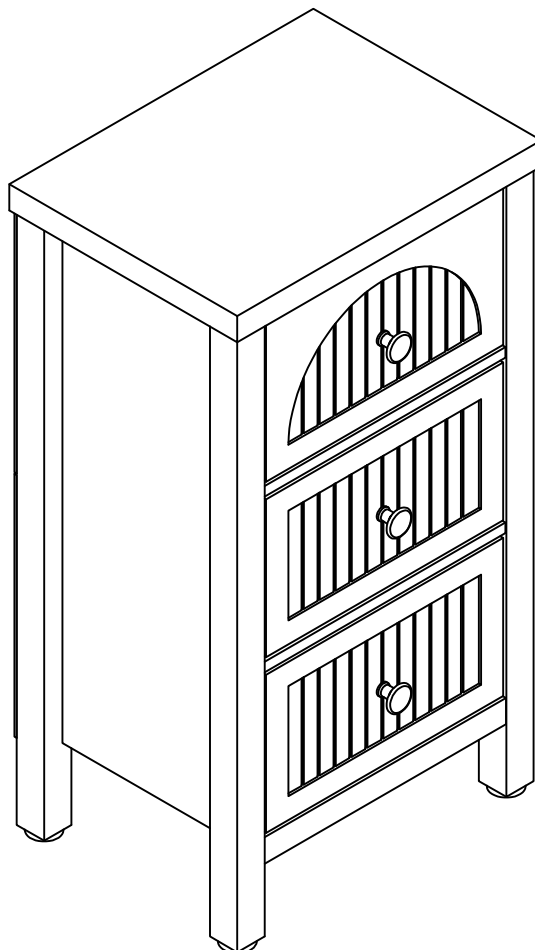


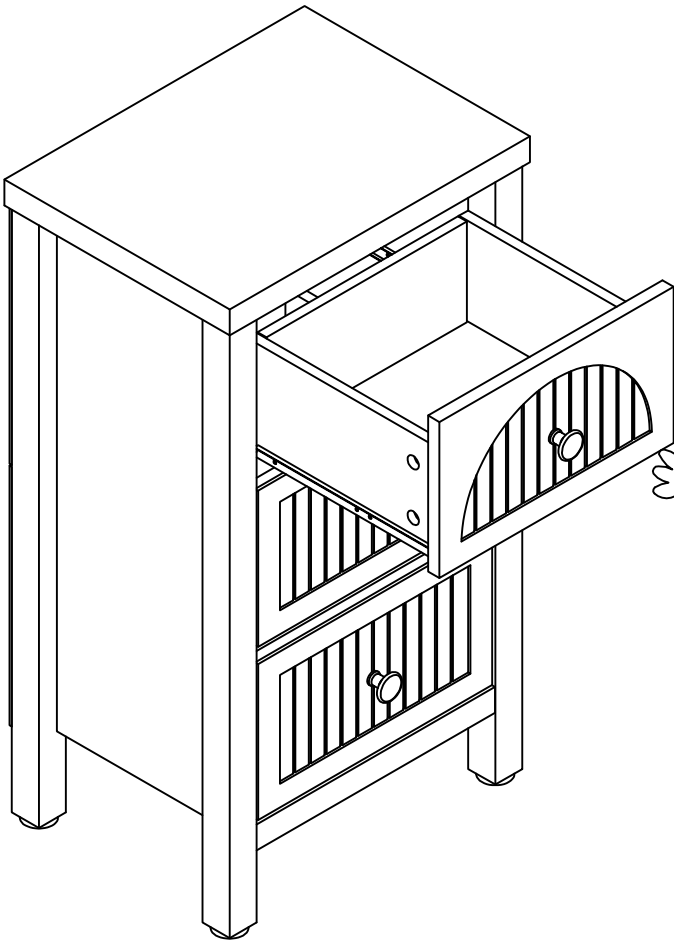
G M3.5x40



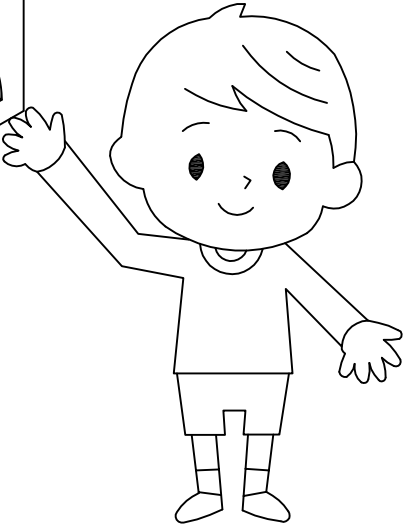
x2

# Finish !!!





X



X