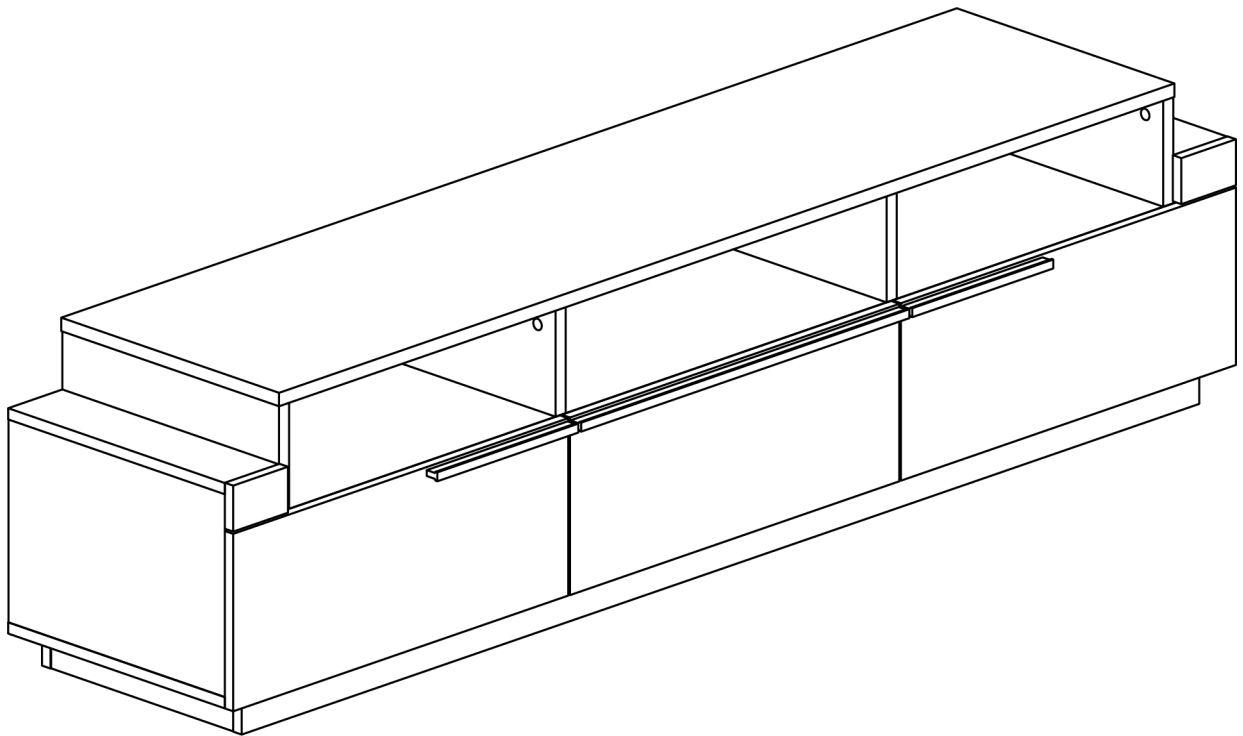


# Broadway TV Stand



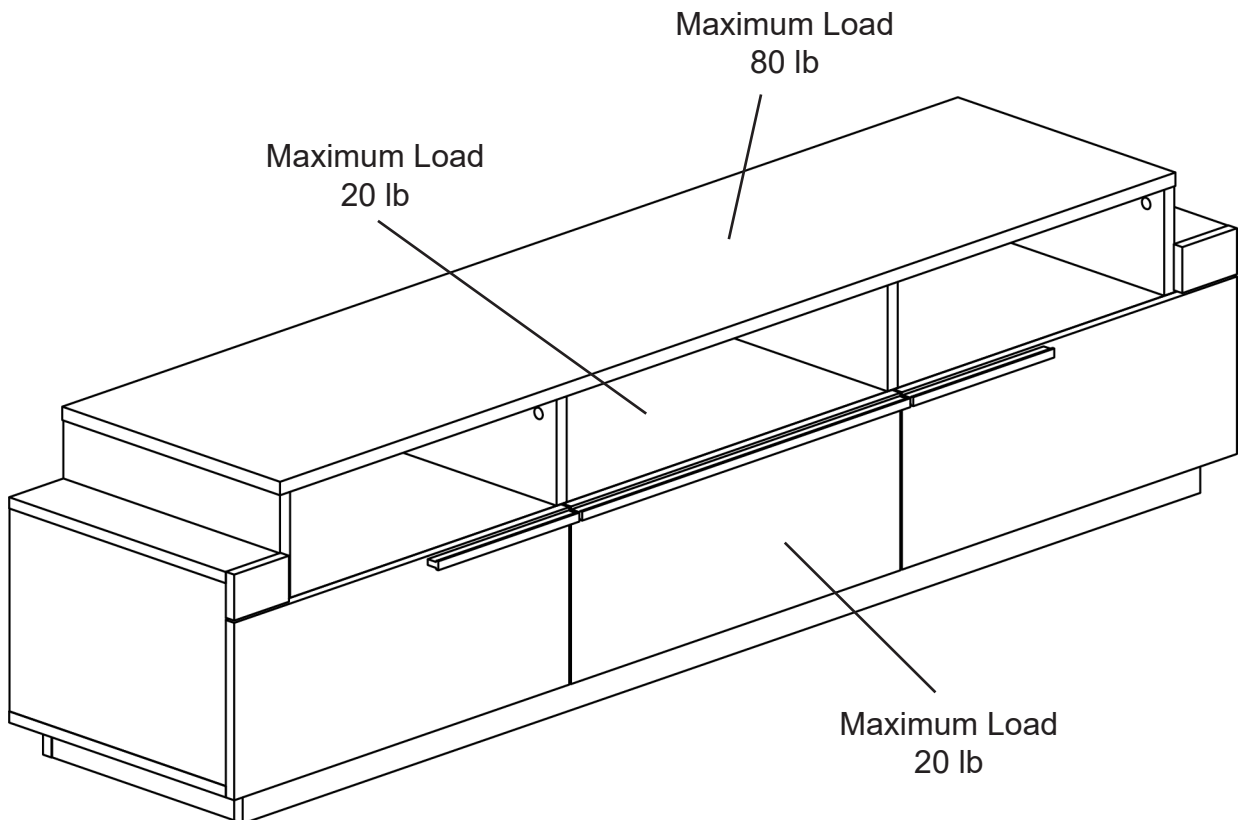


Estimated time for assembly:

**120 mins**



Weight limitations are as follows:





Assemble the furniture on an empty carton, carpet, or rug to prevent scratches or damage.

For safety, please keep pets and children away from the assembly area.

Ensure the product is fully assembled before use. If you are missing any hardware or products, do not use it until you have restored the missing parts.



This furniture requires 2 people for assembly.

Read this instruction manual prior to assembly to familiarize yourself with the various steps.

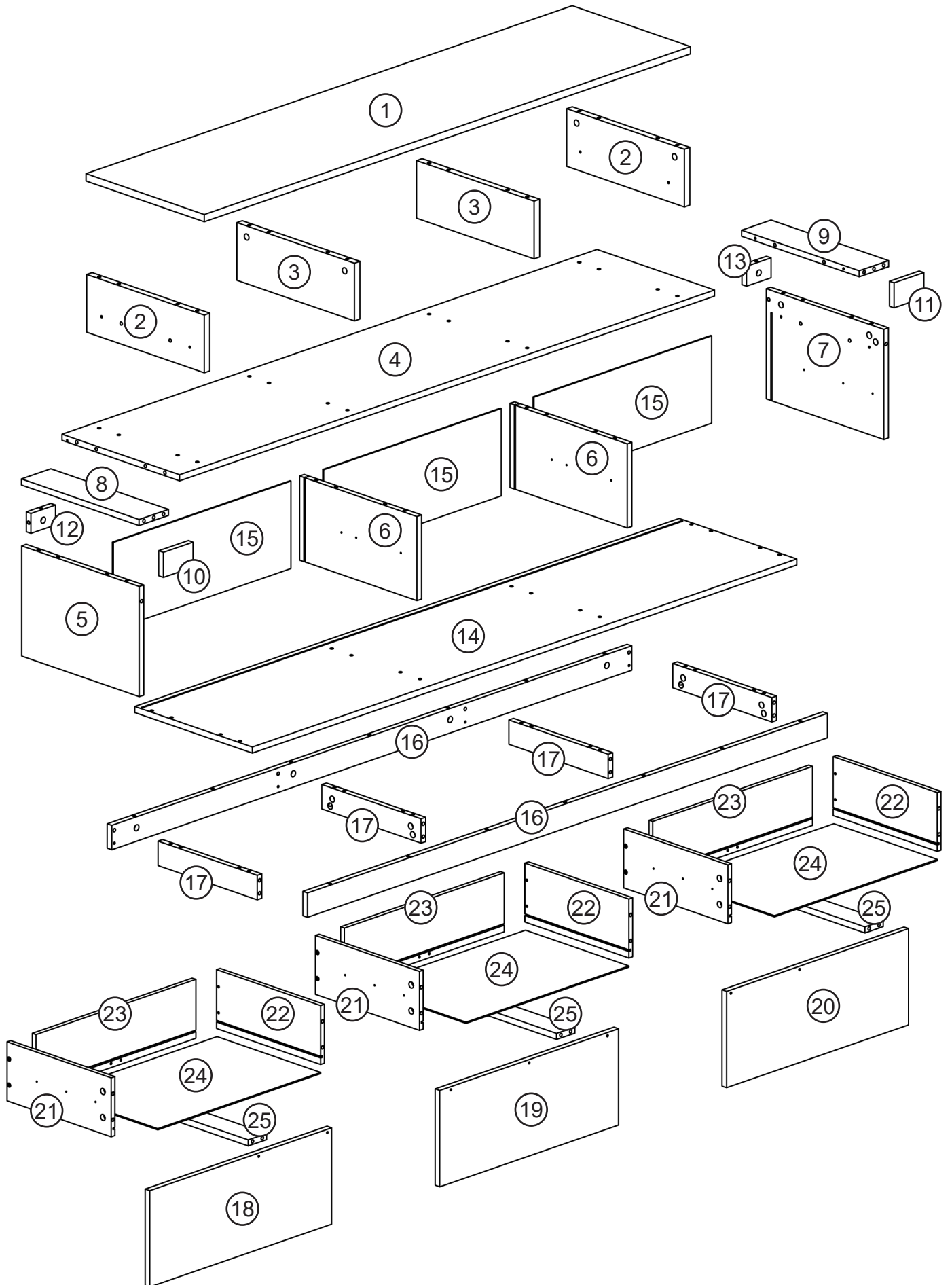
Lay out all components and hardware separately on a flat surface and make sure that no parts are missing or damaged before assembly. Do not destroy or discard any packaging until you are certain that you have all the necessary parts for assembly.

## **CAUTION**

There are small components used in the construction of this product. Loose items should be kept away from pets and children to avoid a choking hazard.

Keep all plastic bags and packaging film away from pets and children to avoid suffocation.

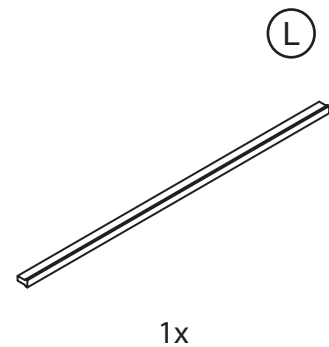
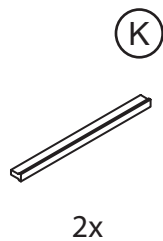
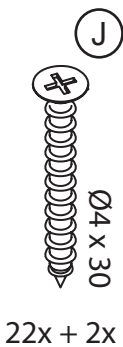
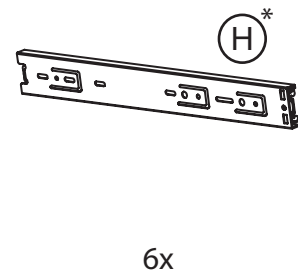
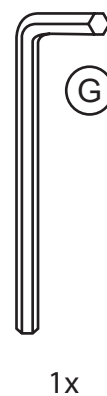
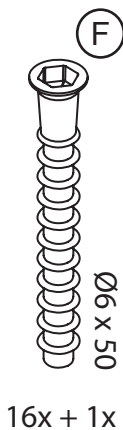
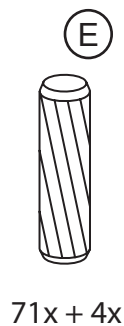
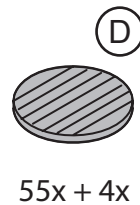
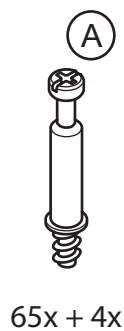
# PACKAGE CONTENTS



# PACKAGE CONTENTS

CODE	DESCRIPTION	QTY
1	Top Panel	1
2	Upper Shelf Side Panel	2
3	Upper Shelf Medial Panel	2
4	Upper Shelf Panel	1
5	Bottom Shelf Left Panel	1
6	Bottom Shelf Medial Panel	2
7	Bottom Shelf Right Panel	1
8	Left Step Panel	1
9	Right Step Panel	1
10	Small Left Frontal Panel	1
11	Small Right Frontal Panel	1
12	Small Left Rear Panel	1
13	Small Right Rear Panel	1
14	Bottom Panel	1
15	Back Panel	3
16	Long Base Bar	2
17	Short Base Bar	4
18	Left Drawer Front Panel	1
19	Middle Drawer Front Panel	1
20	Right Drawer Front Panel	1
21	Drawer Left Panel	3
22	Drawer Right Panel	3
23	Drawer Back Panel	3
24	Drawer Bottom Panel	3
25	Drawer Support Strip	3

# PACKAGE CONTENTS

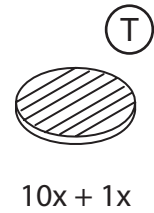
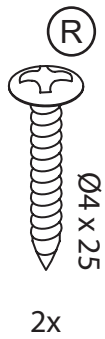
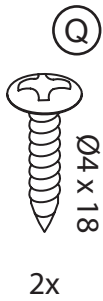
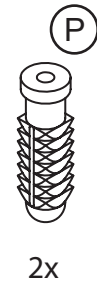
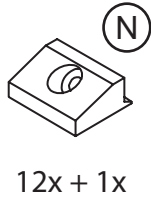


\*This piece comes preassembled for shipping purposes, and must be disassembled to complete the assembly.



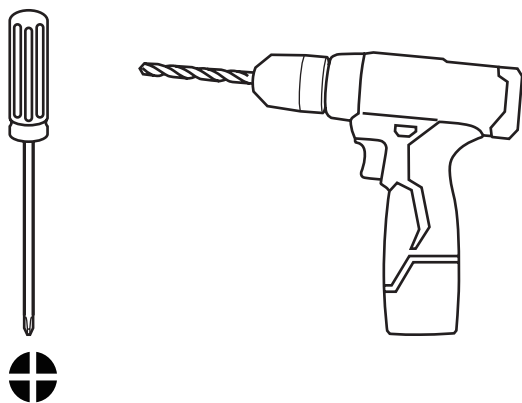
Install all hardware perpendicular to the opening.

# PACKAGE CONTENTS

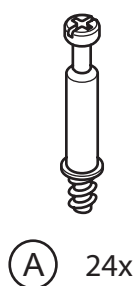


Install all hardware perpendicular to the opening.

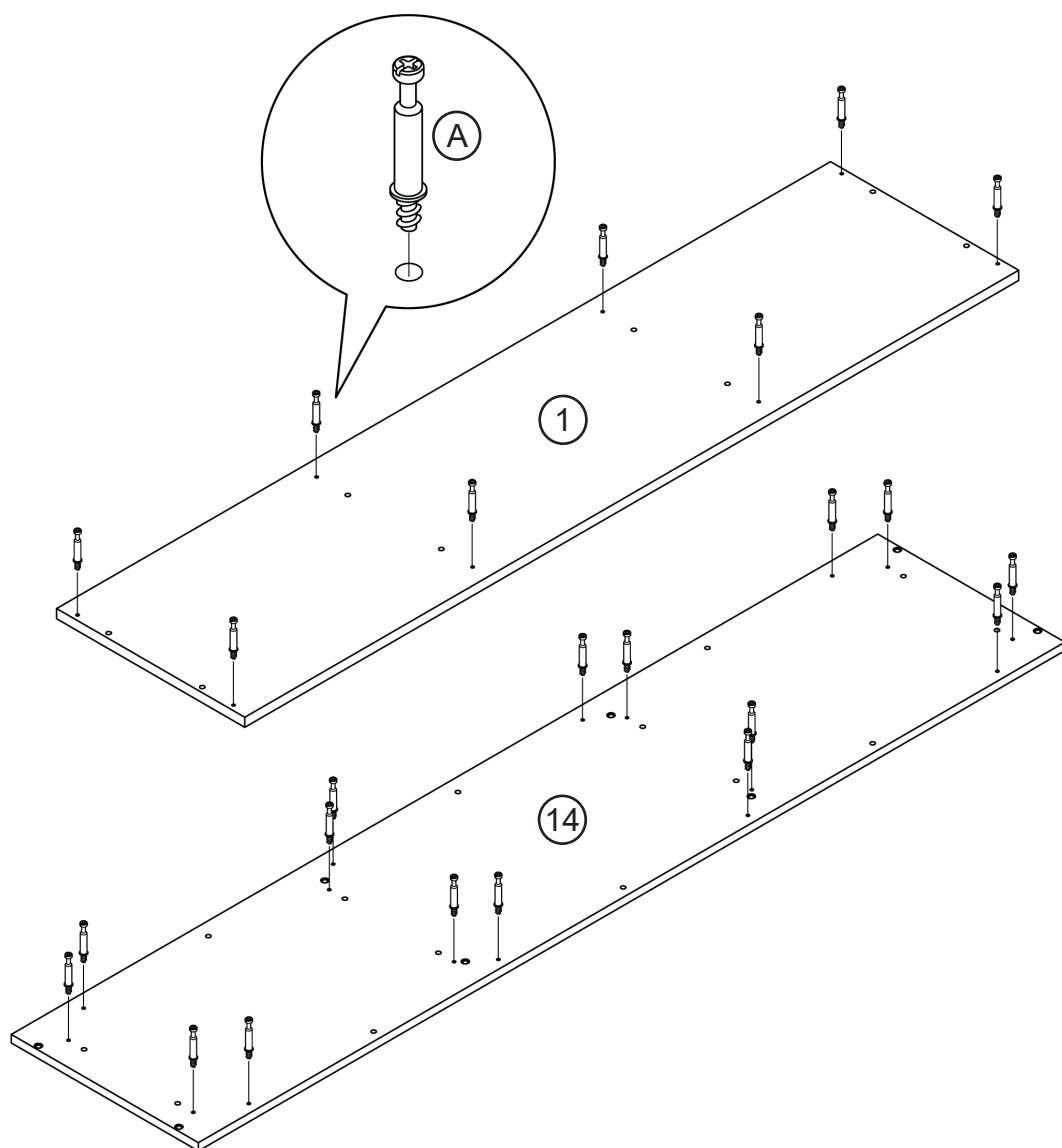
Required tools for assembly (Not included)



**1**

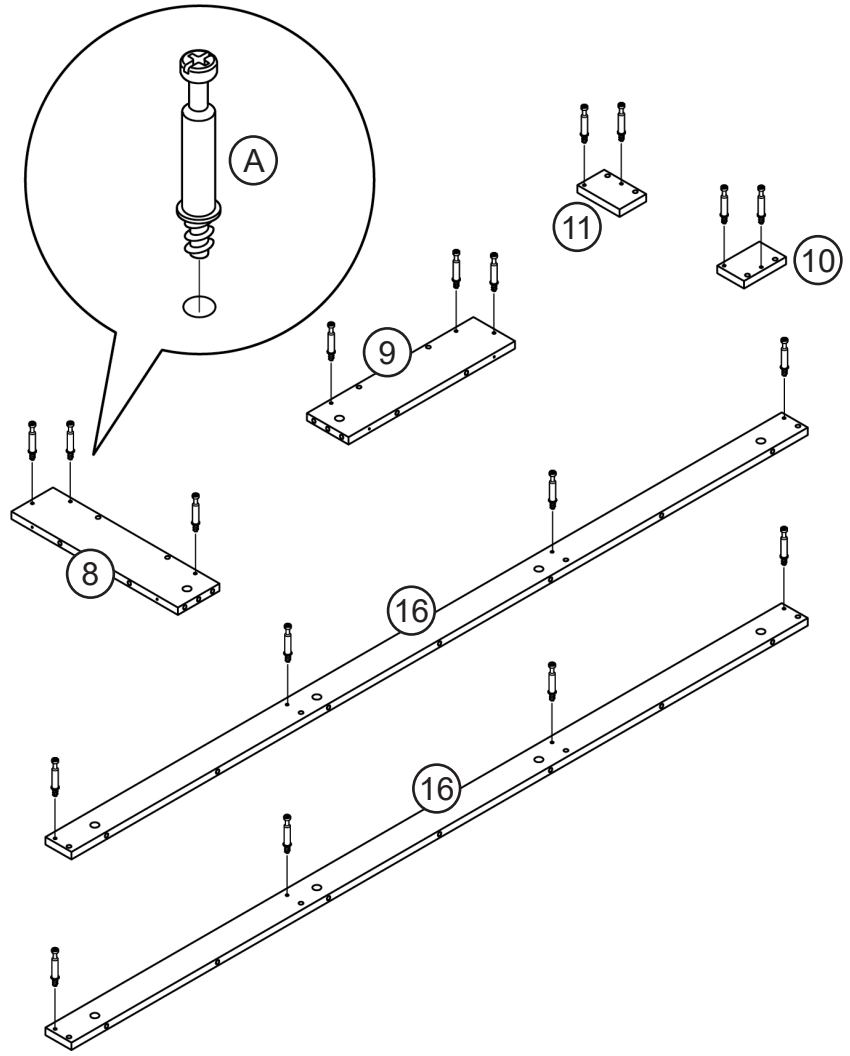
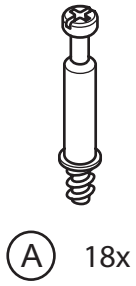


Attach cam bolts to the underside of the top panel (1) and the bottom panel (14).



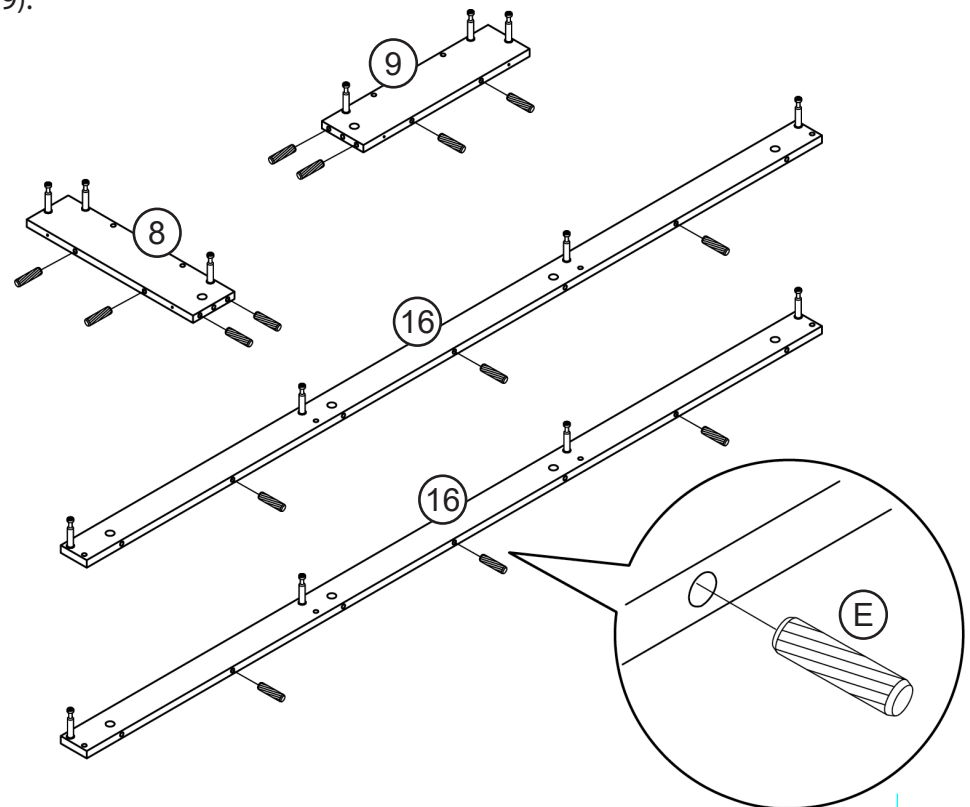
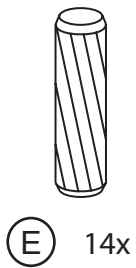
# 2

Attach cam bolts to the long base bars (16), left and right step panels (8,9), and left and right small frontal panel (10, 11).



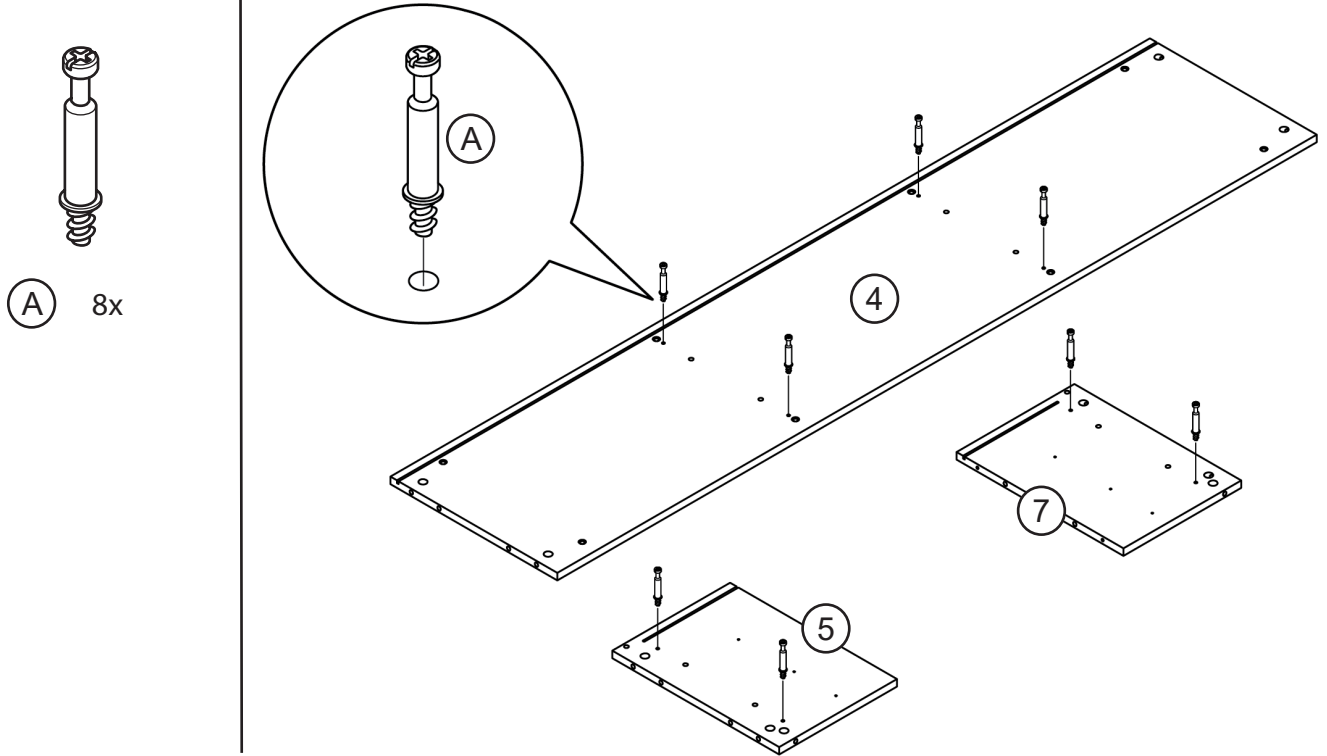
# 3

Insert wood dowels to the long base bars (16) and the left and right step panels (8, 9).



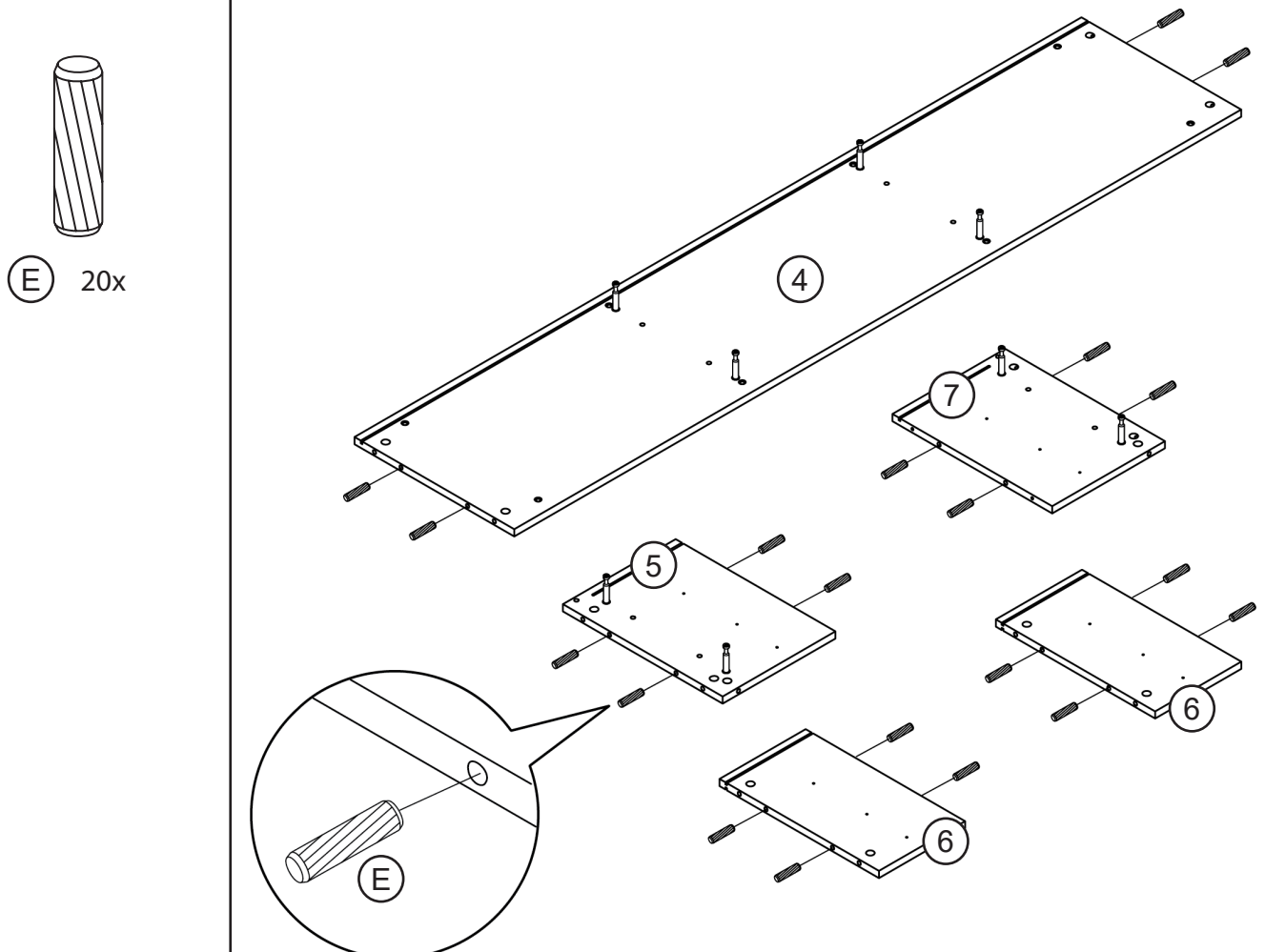
# 4

Attach cam bolts to the underside of the upper shelf panel (4), the bottom shelf left panel (5) and the bottom shelf right panel (7).



# 5

Insert wood dowels to the upper shelf panel (4), the bottom shelf left panel (5), the bottom shelf right panel (7), and the bottom shelf medial panels (6).

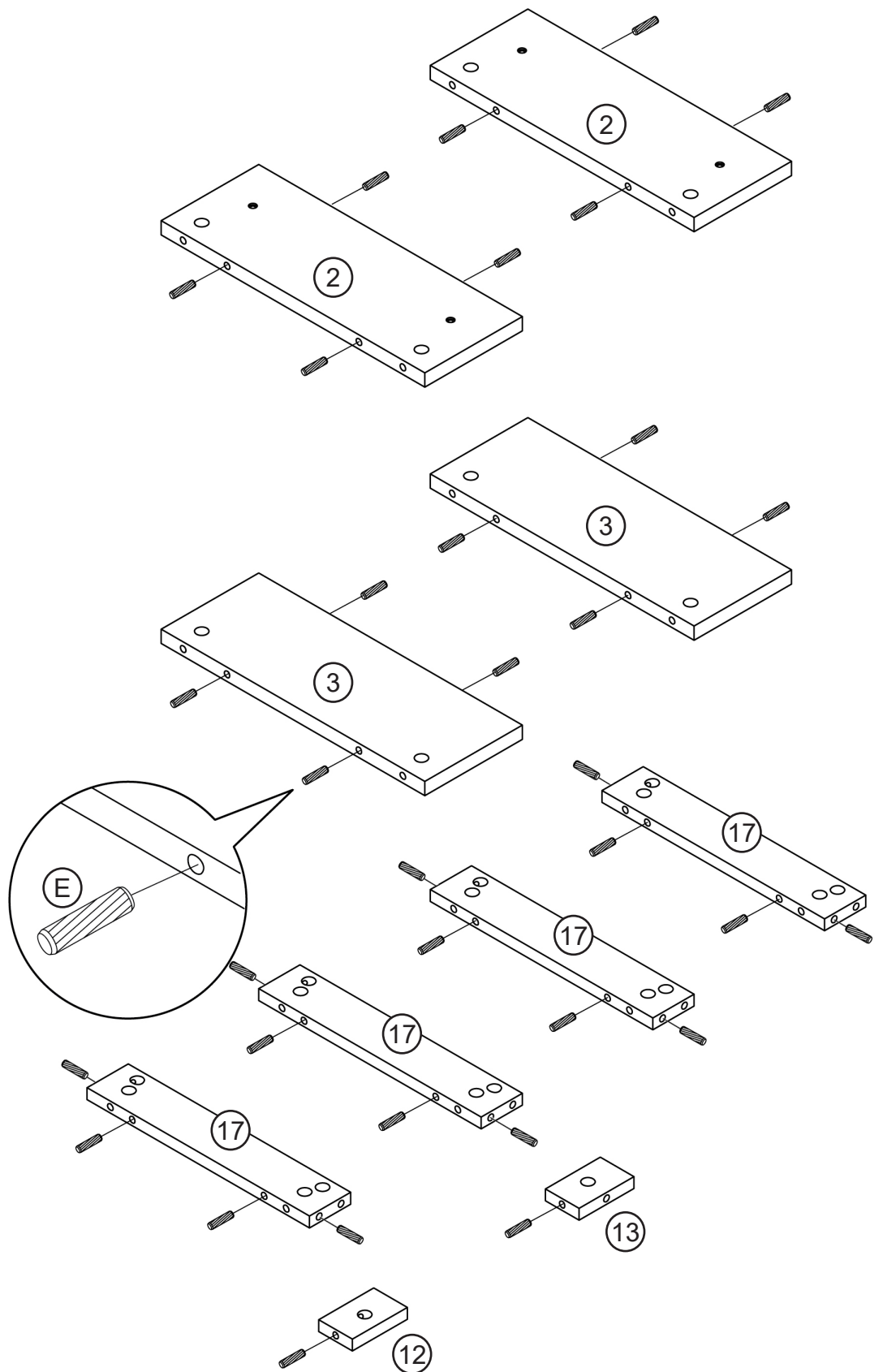


# 6

Insert wood dowels to the upper shelf side panels (2), the upper shelf medial panels (3), the short base bars (17), the small left and right rear panels (12, 13).

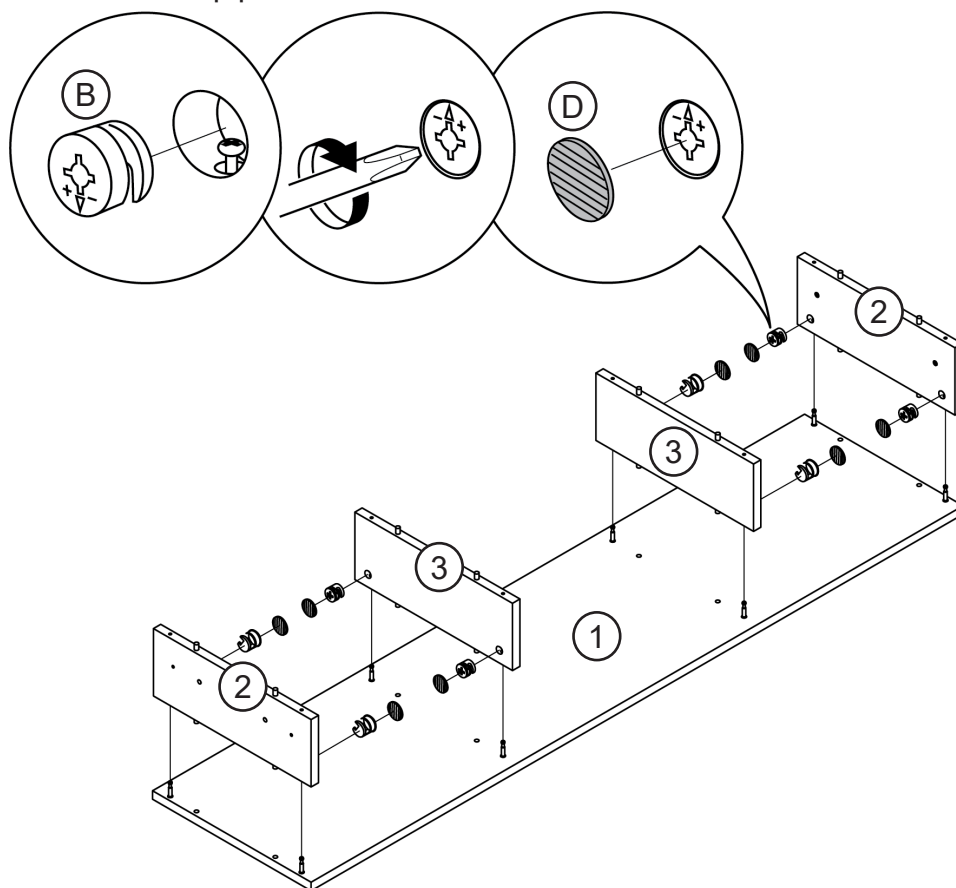
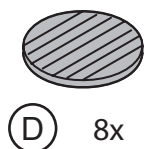
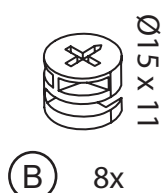


(E) 34x



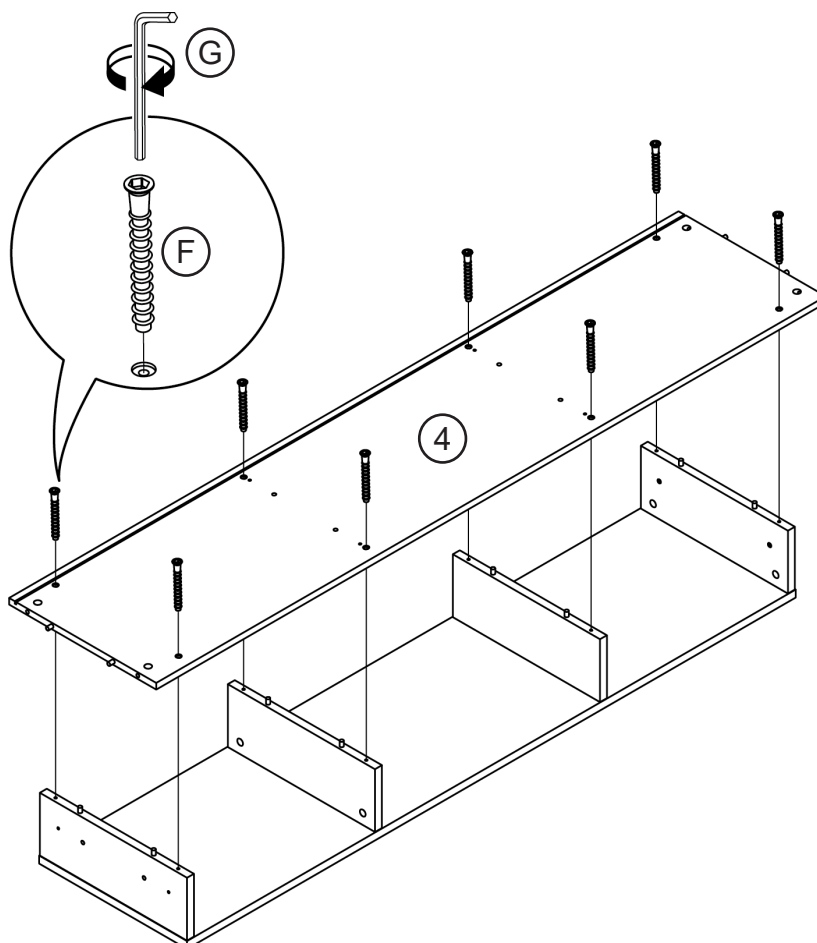
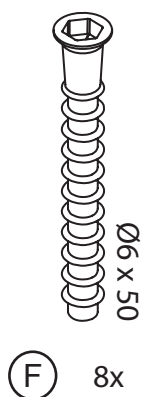
# 7

Attach the upper shelf side panels (2) and upper shelf medial panels (3) to the underside of the top panel (1).



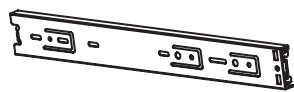
# 8

Assemble the upper shelf panel (4) to the upper shelf assembly.



# 9

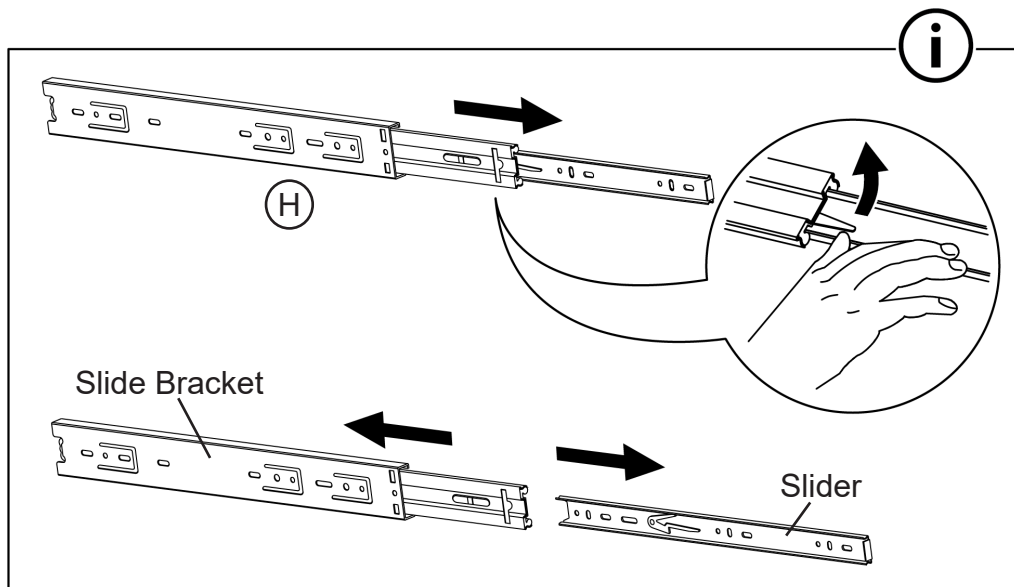
Disassemble the drawer slider by unlatching the slider from the bracket. Then attach the drawer slide bracket to the bottom shelf left and right panels (5, 7).



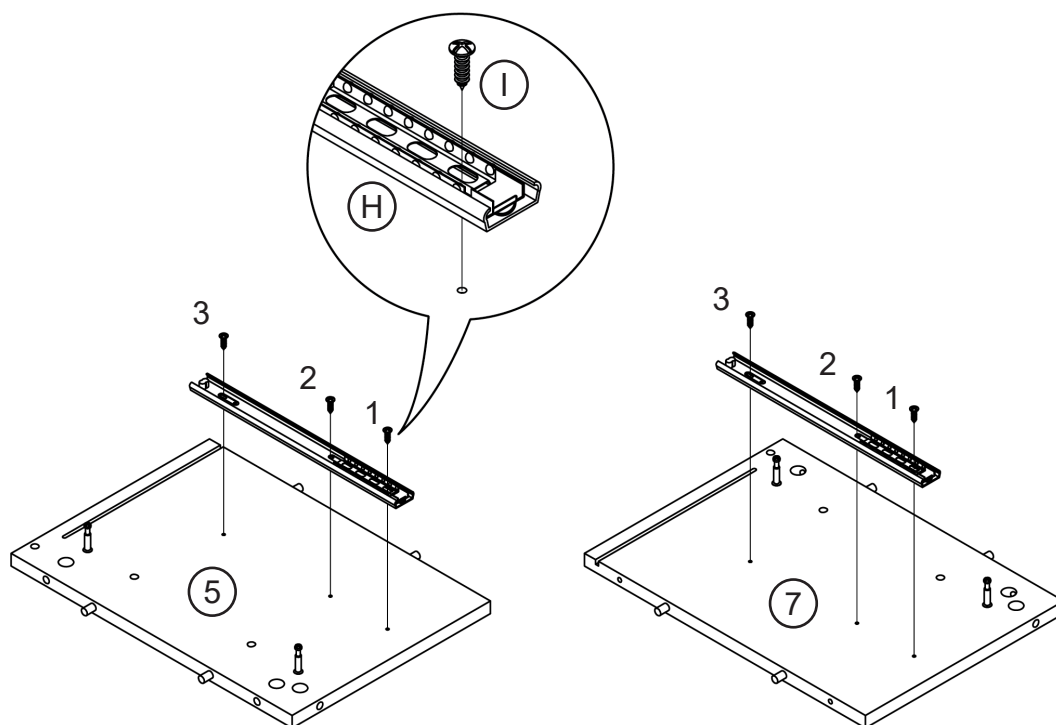
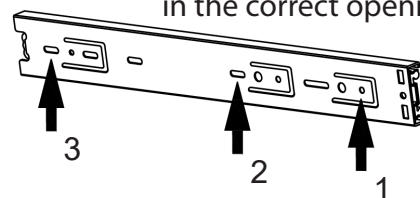
(H) 2x



(I) 6x

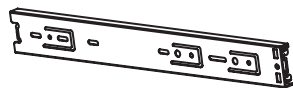


Make sure to insert screws in the correct opening.



# 10

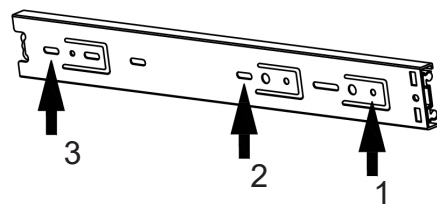
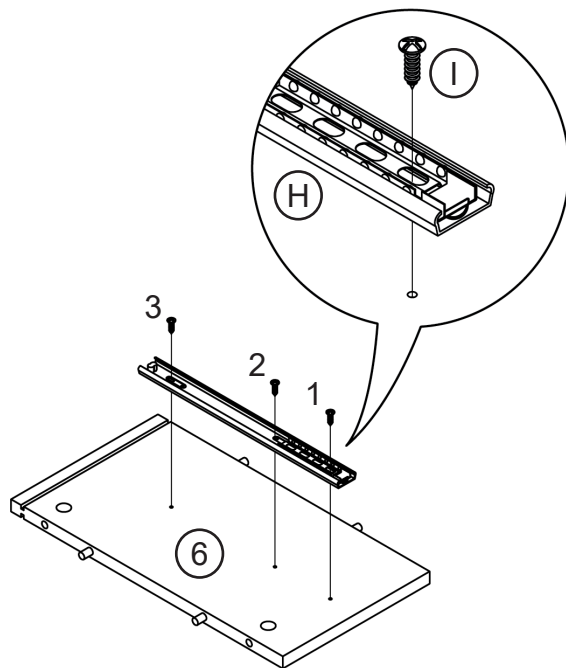
Attach the drawer slide bracket to both sides of the bottom shelf medial panels (6).



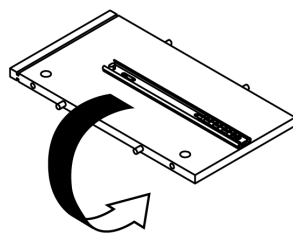
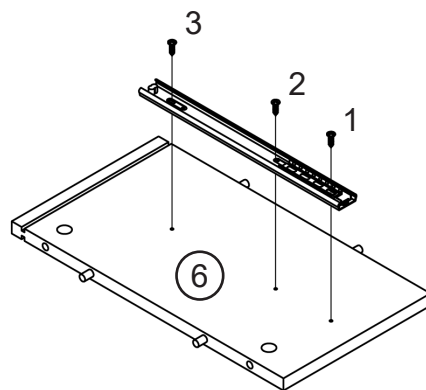
(H) 4x



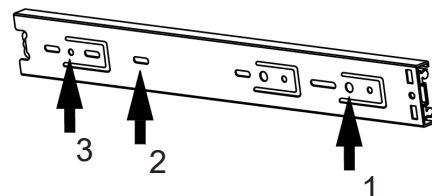
(I) 12x



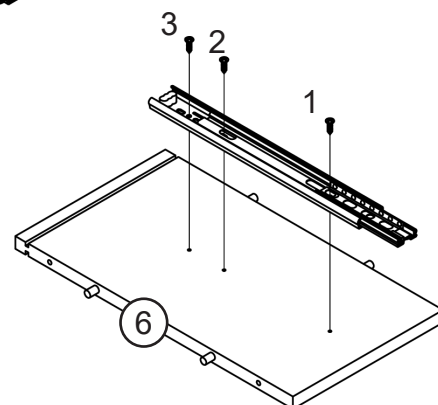
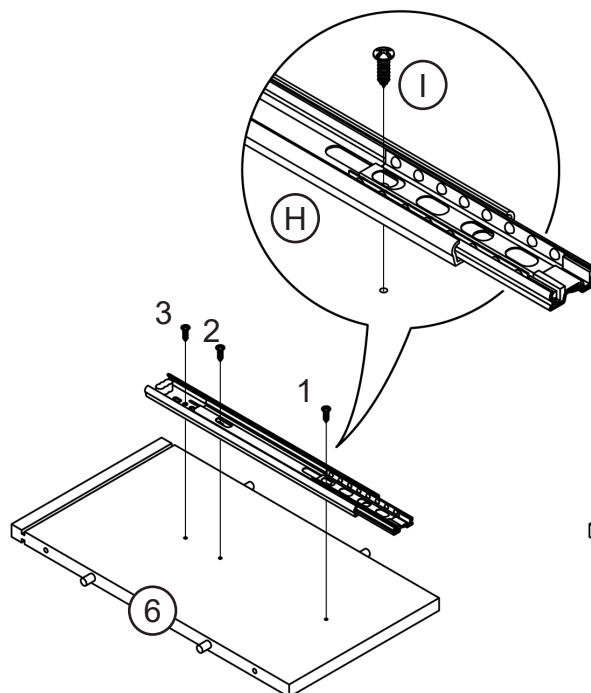
Make sure to insert screws in the correct opening.



Flip 180°, beware of the mounting openings.



Make sure to insert screws in the correct opening.



# 11

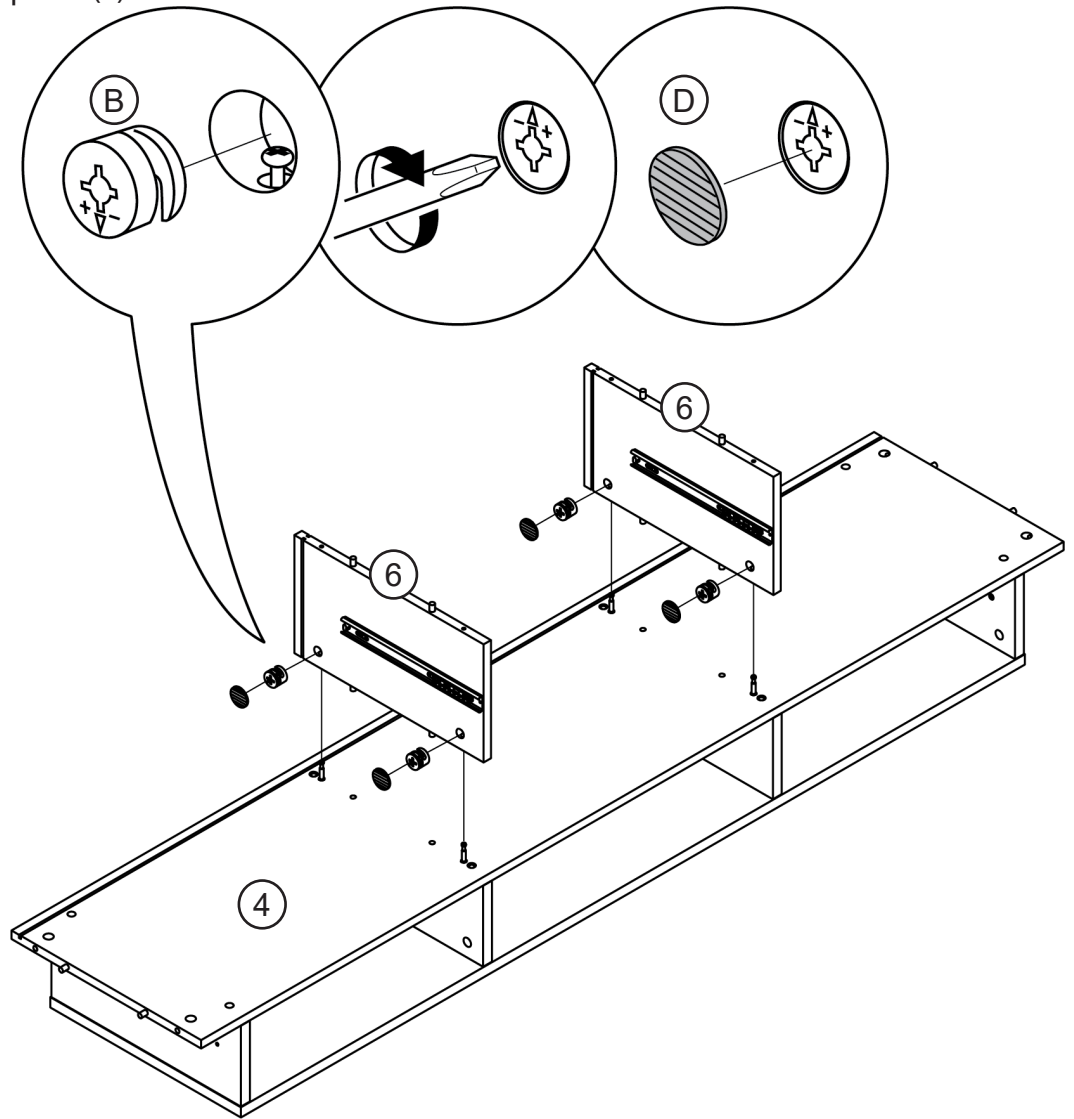
Attach the bottom shelf medial panels to the underside of the upper shelf panel (4).



(B) 4x

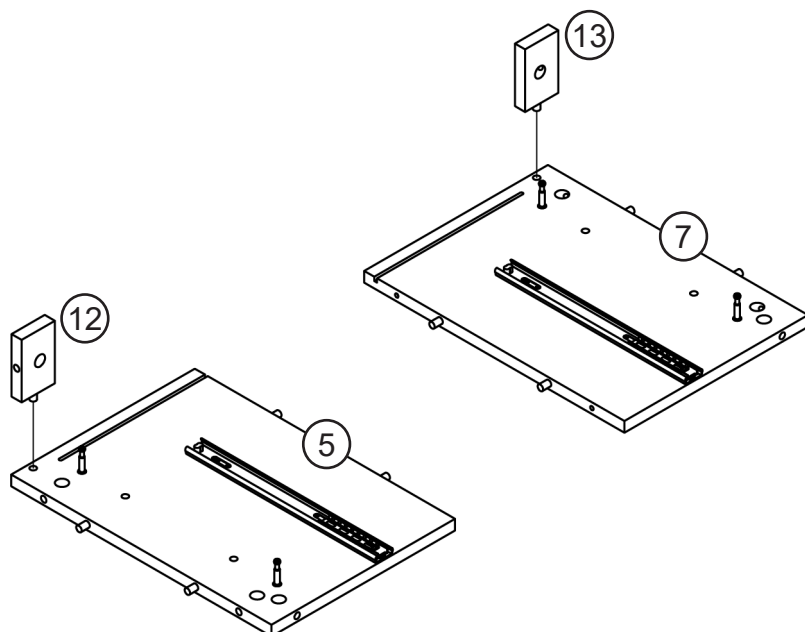


(D) 4x



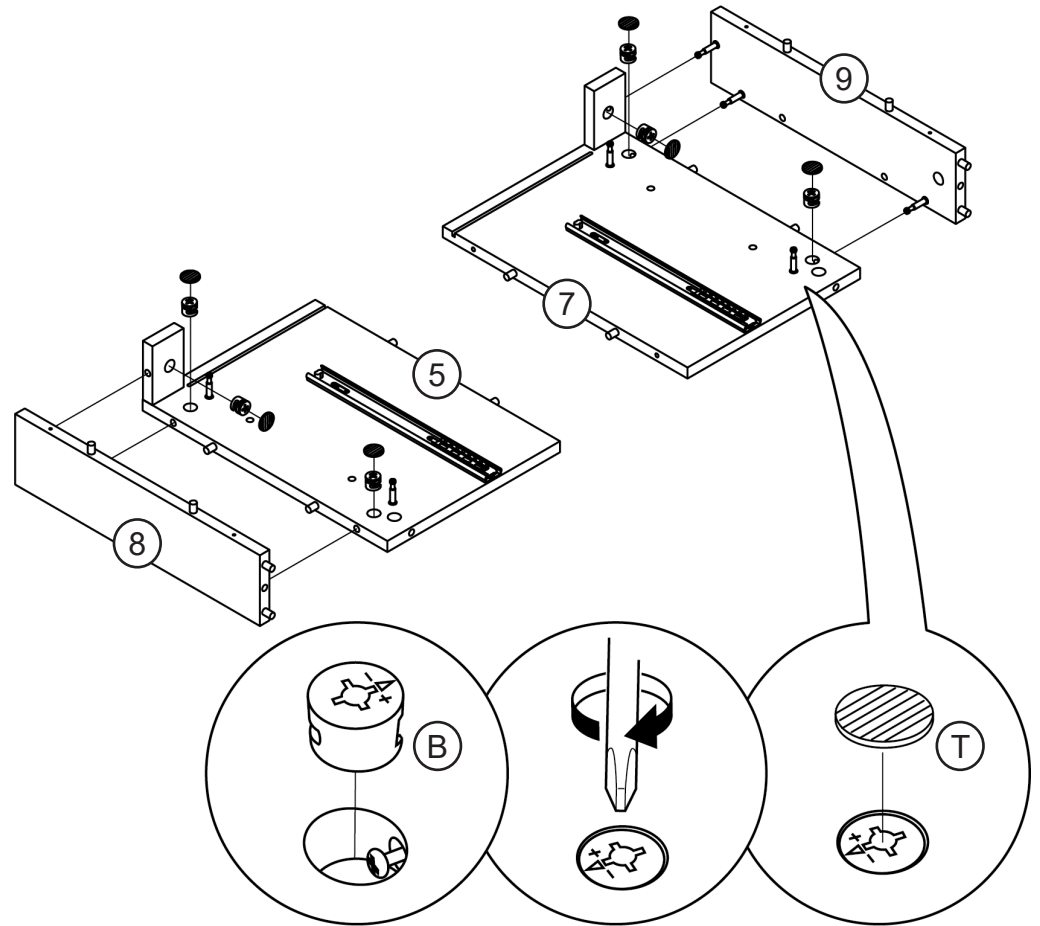
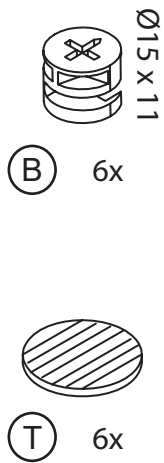
# 12

Assemble the small left rear panel (12) to the bottom shelf left panel (5), and assemble the small right rear panel (13) to the bottom shelf right panel (7).



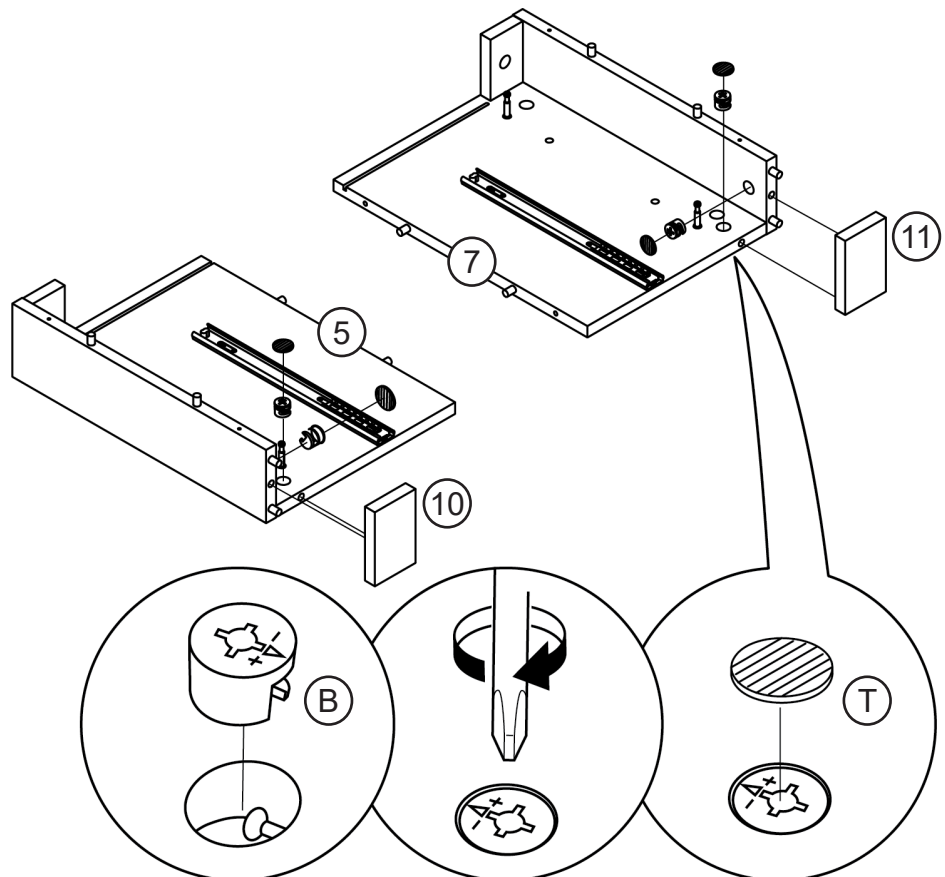
# 13

Attach the left step panel (8) on top of the bottom shelf left panel (5) and the right step panel (9) on top of the bottom shelf right panel (7).



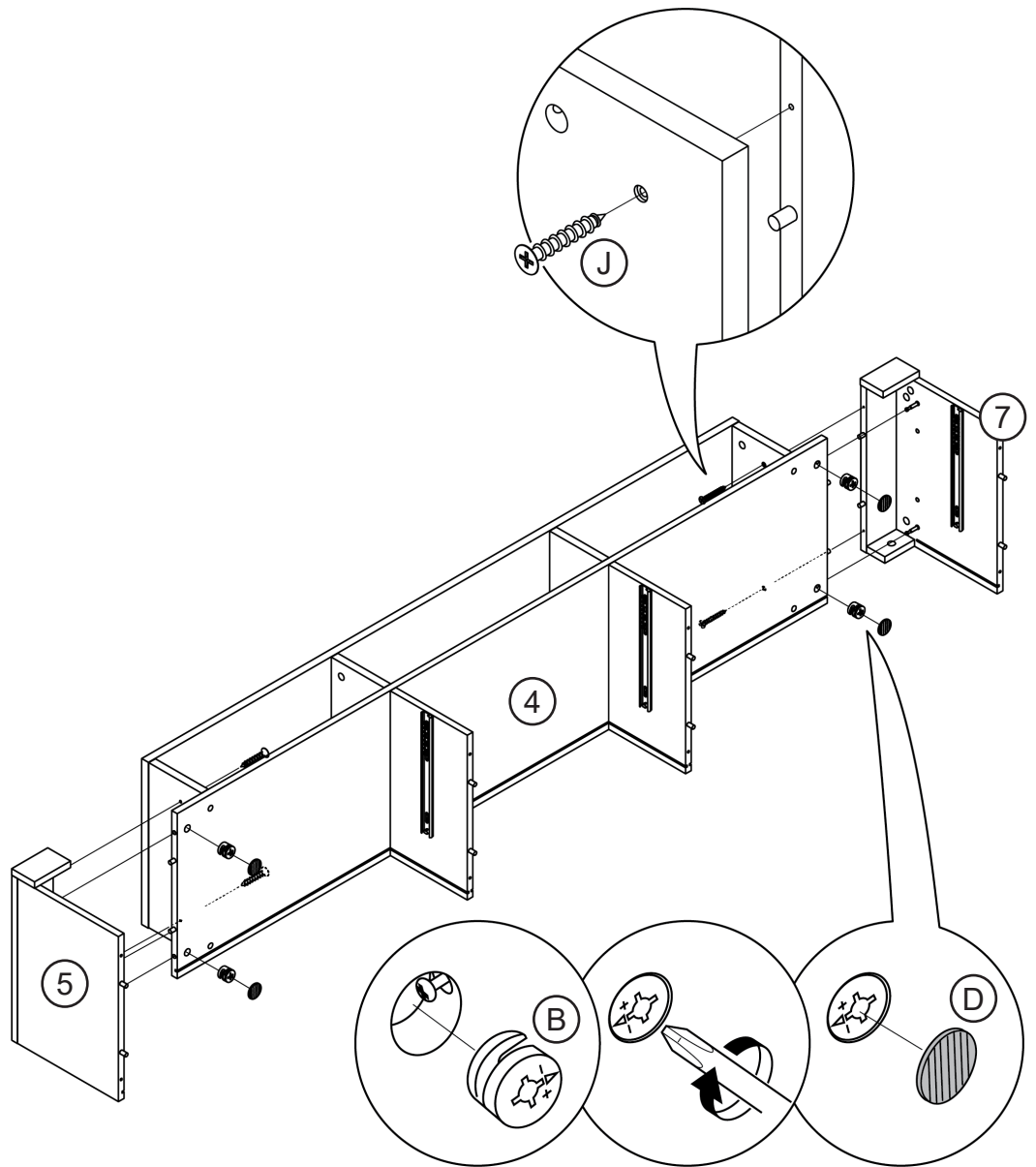
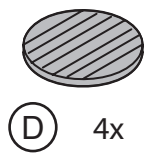
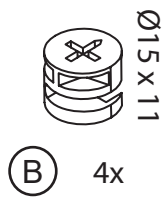
# 14

Attach the small left frontal panel (10) to the bottom shelf left panel and the small right frontal panel (11) to the bottom shelf right panel.



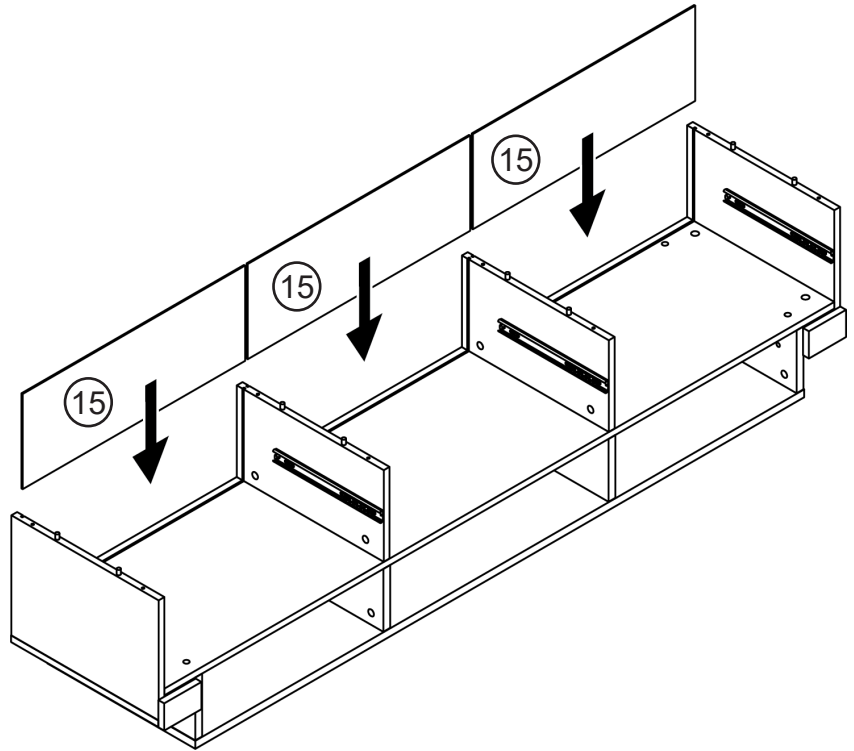
# 15

Assemble the bottom shelf side panel assembly to the upper shelf panel.



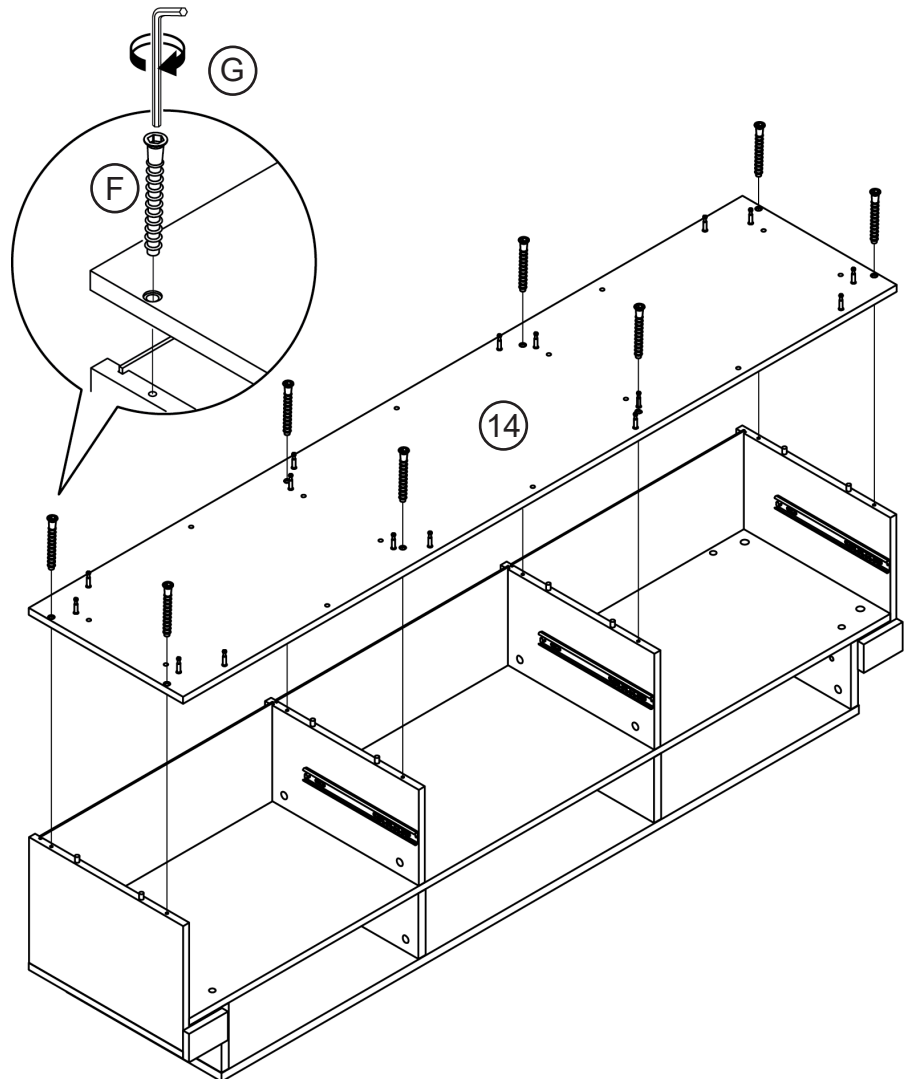
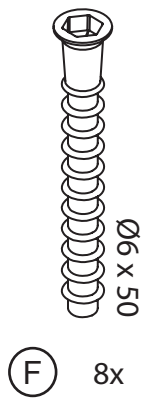
# 16

Slide in the back panels (15).



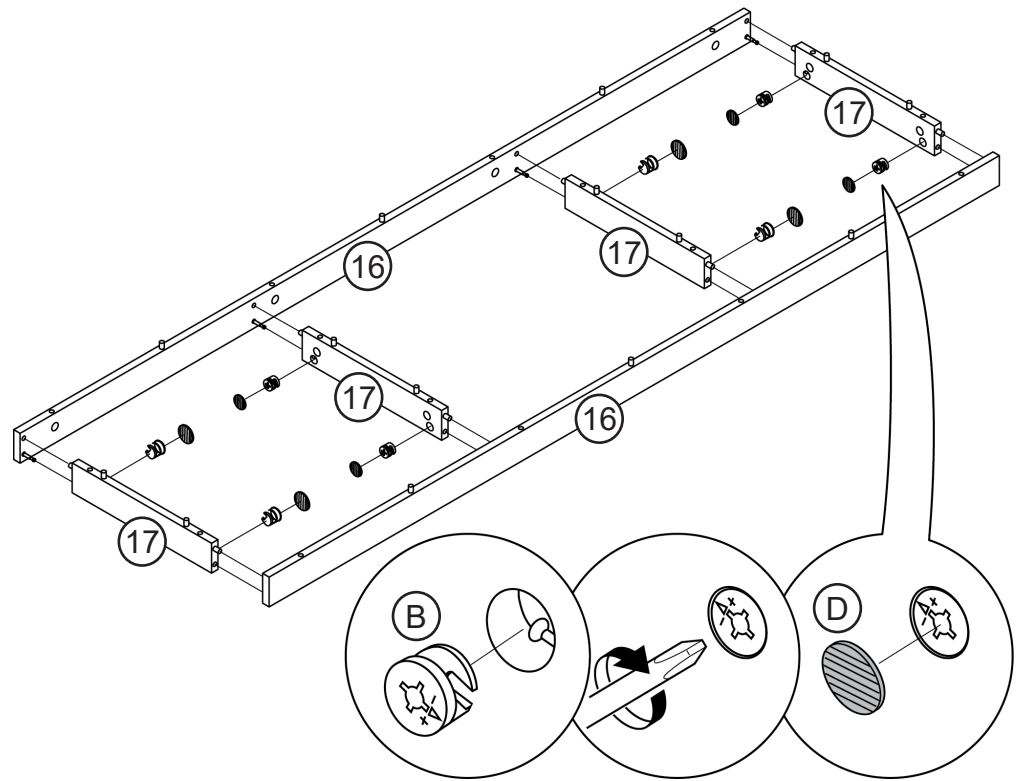
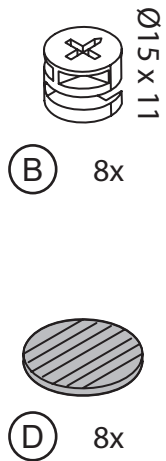
# 17

Assemble the bottom panel to the bottom shelf.



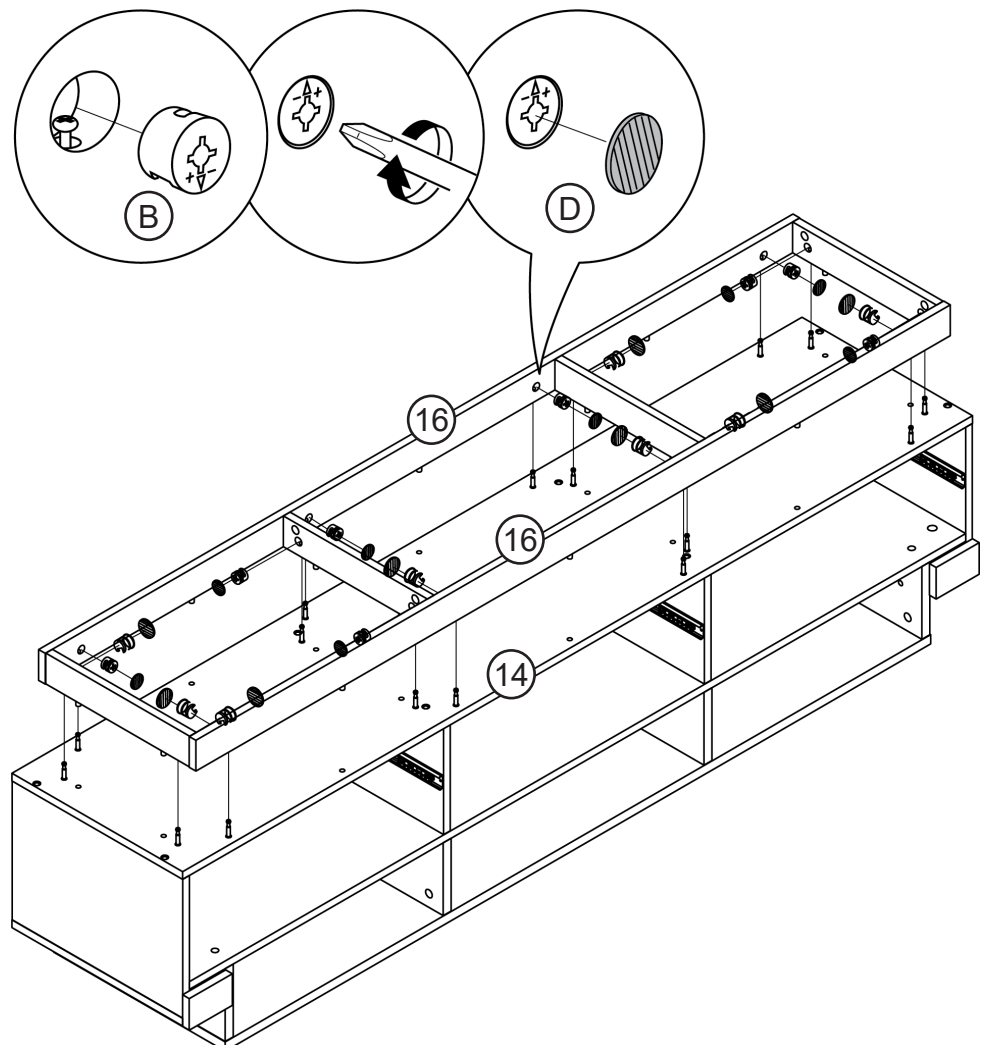
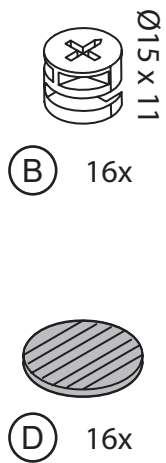
# 18

Assemble the short base bars (17) between the long base bars (16).



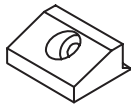
# 19

Assemble the base assembly to the underside of the bottom panel.



# 20

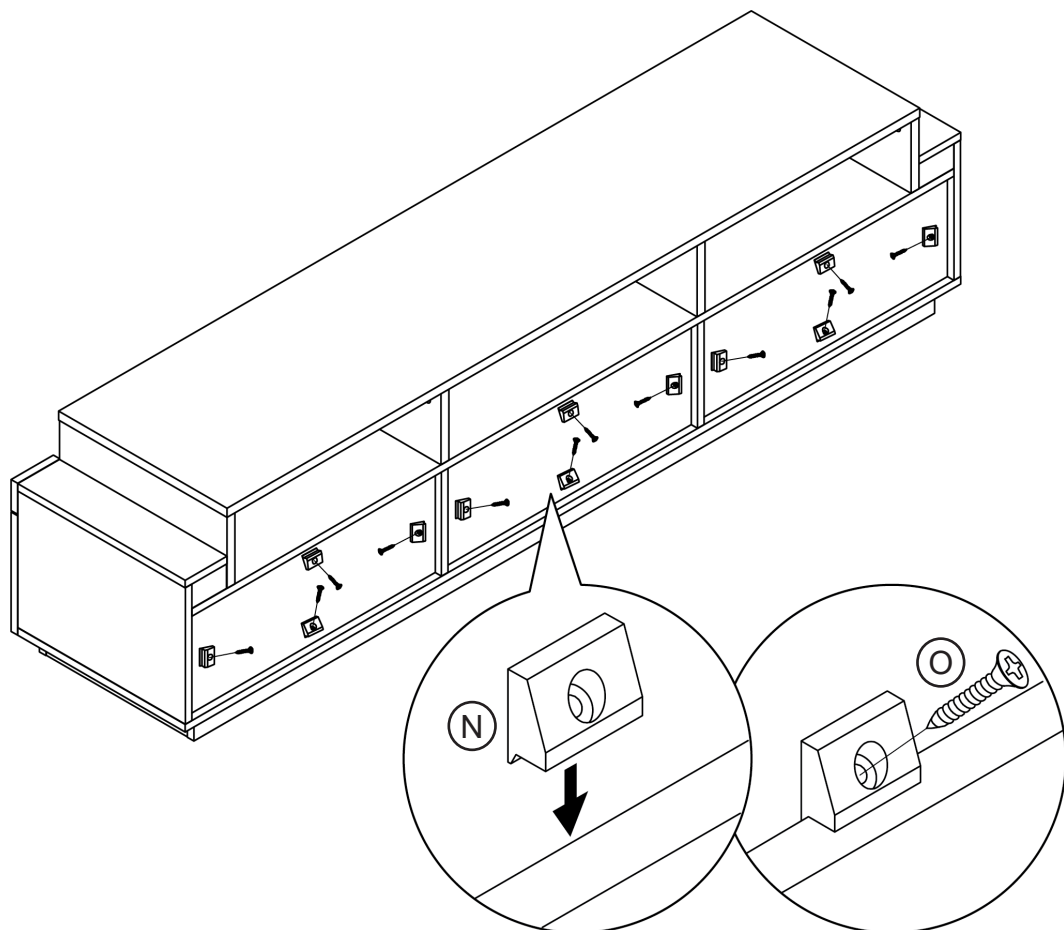
Secure the back panels in place.



(N) 12x

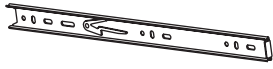


(O) 12x



# 21

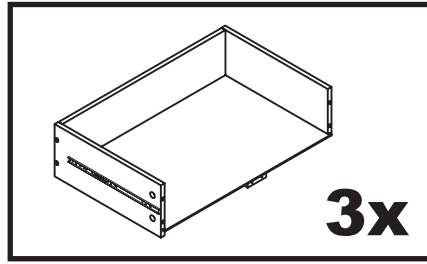
Attach drawer slides to the drawer left and right panels (21, 22).



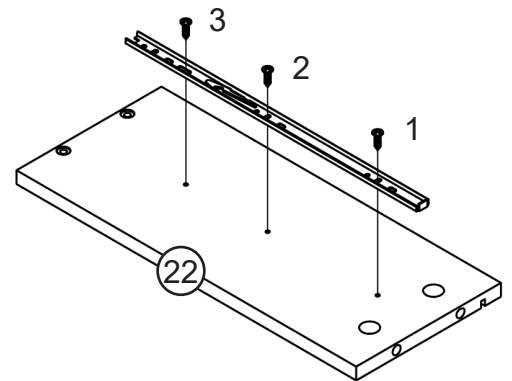
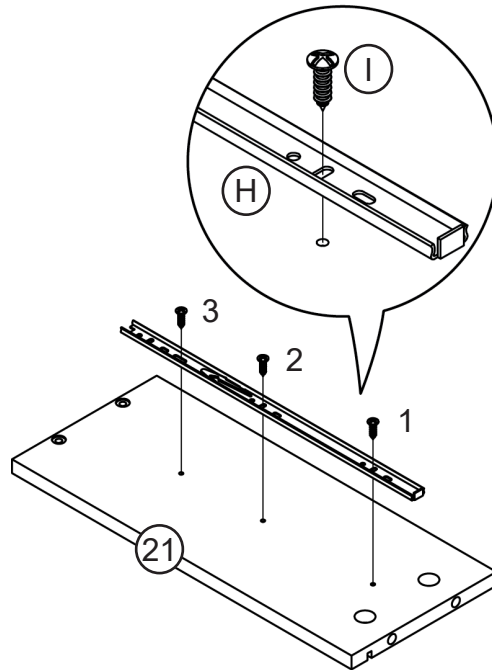
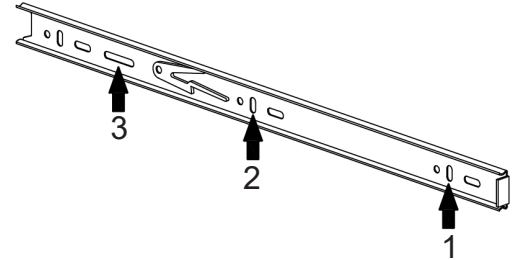
(H) 2x



(I) 6x



Assemble 3 drawer frames.

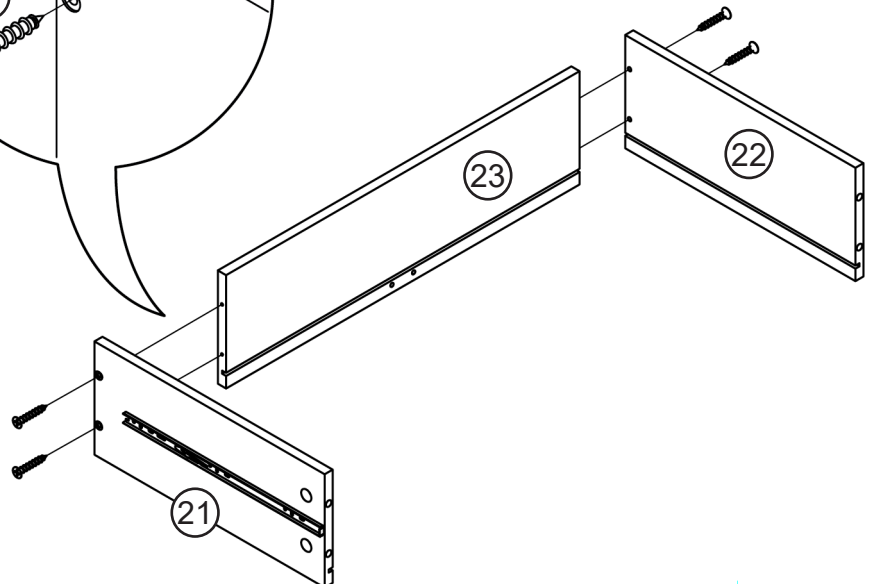
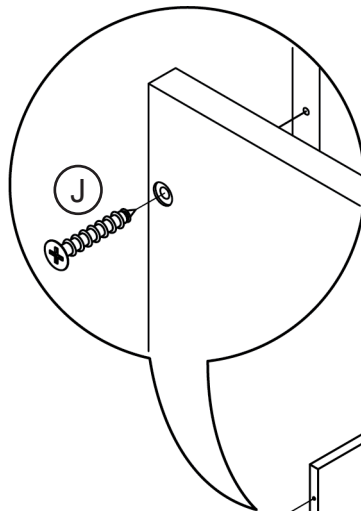


# 22

Assemble the drawer back panel between the drawer side panels.

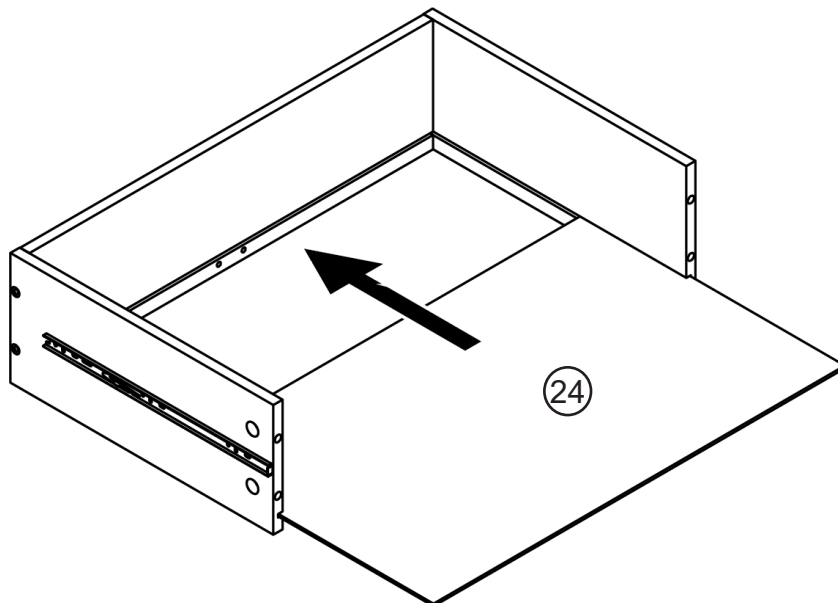


(J) 4x



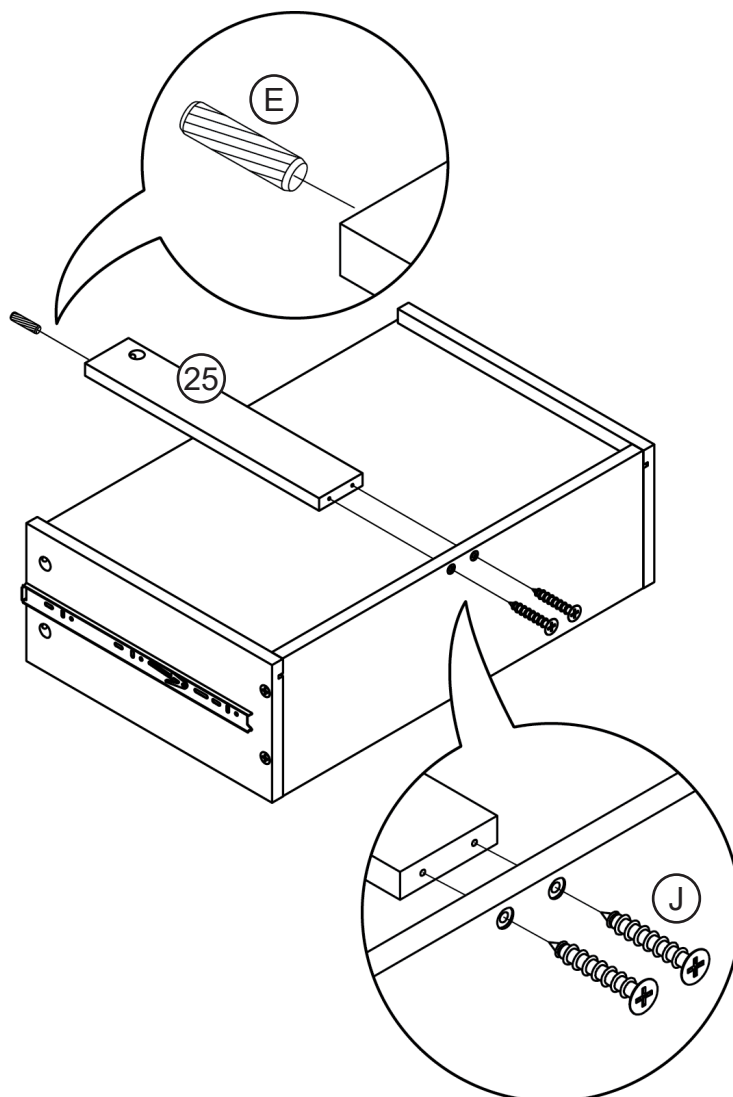
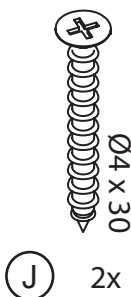
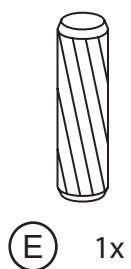
# 23

Slide in the drawer bottom panel (24).



# 24

Attach the drawer support strip (25) to the drawer back panel.

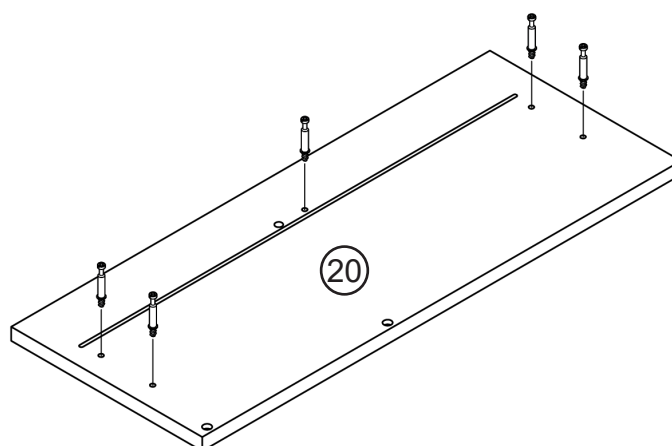
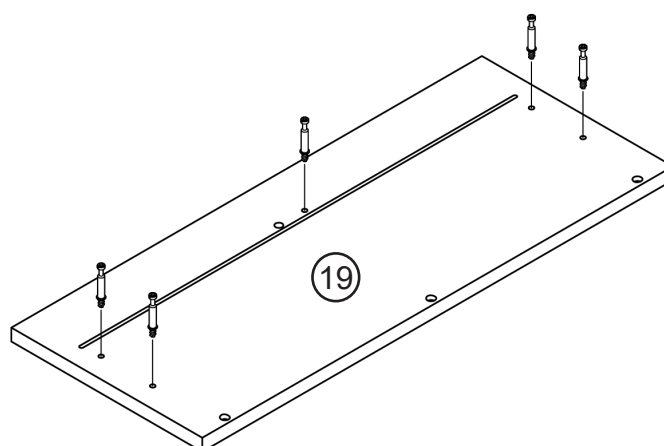
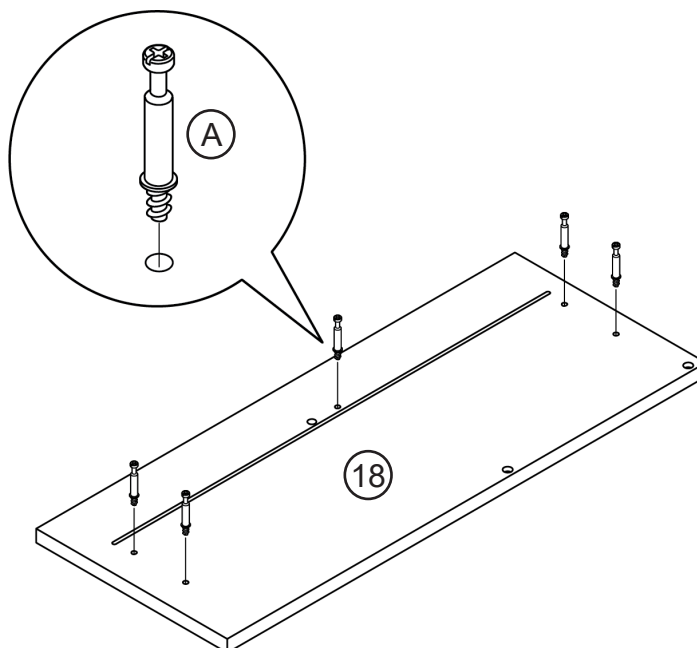


# 25

Attach cam bolts to the drawer front panels (18, 19, 20).

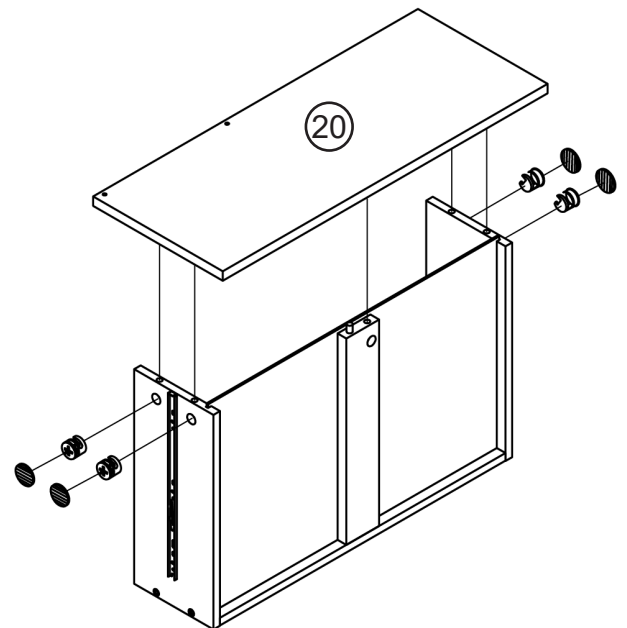
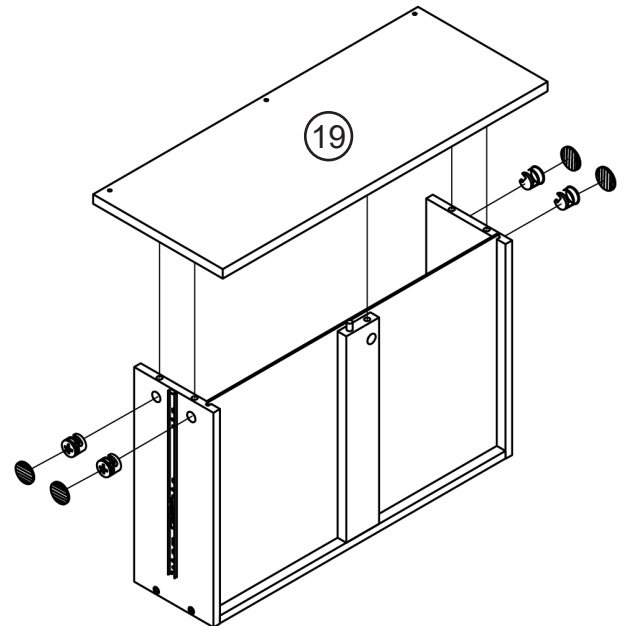
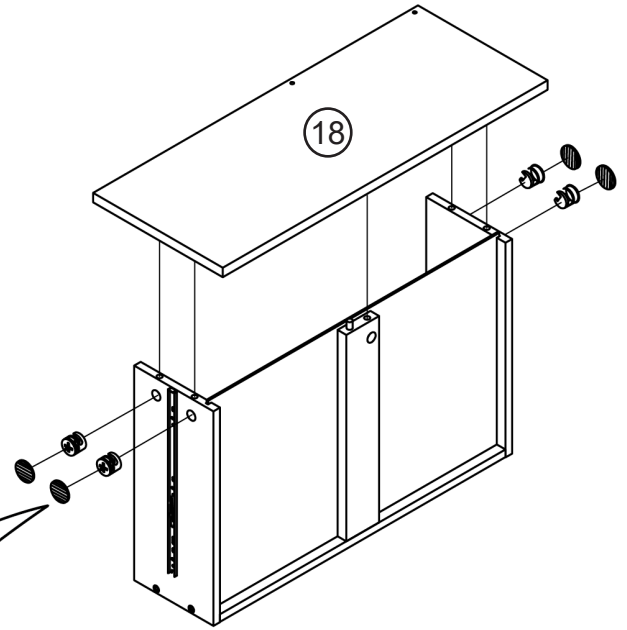
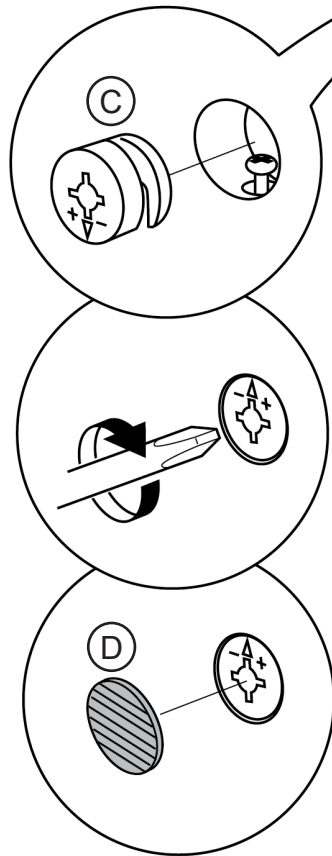
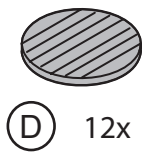
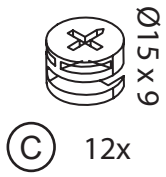


(A) 15x



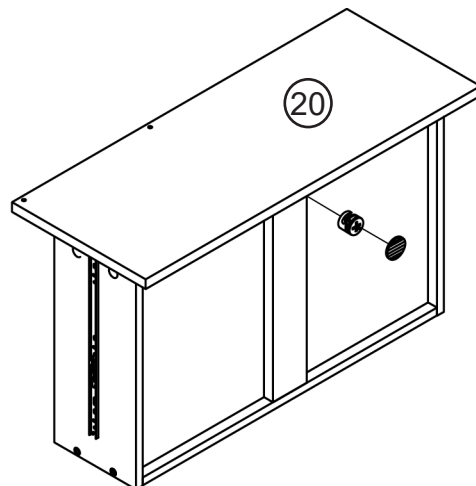
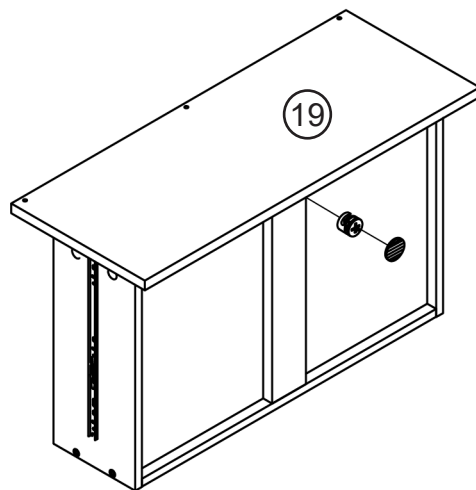
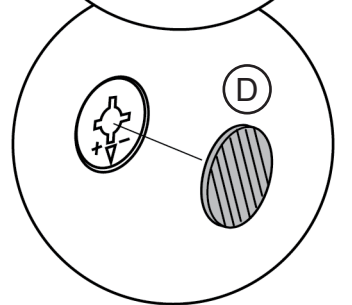
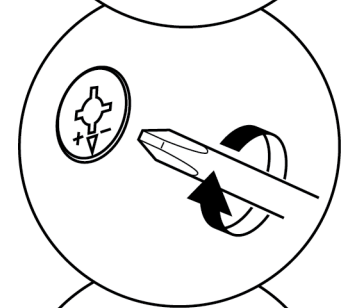
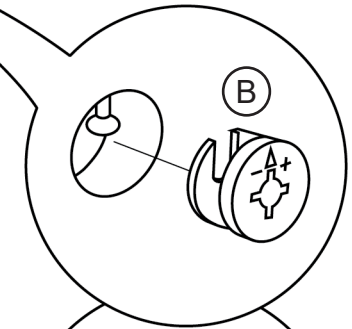
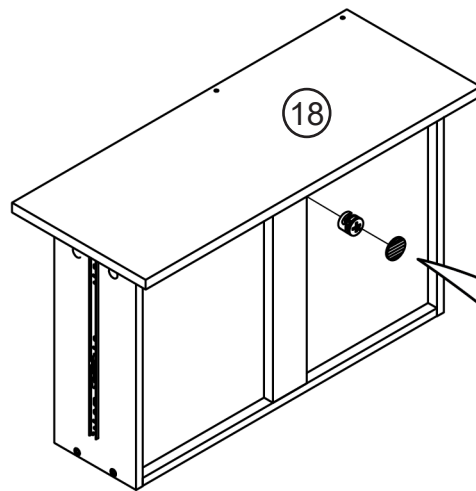
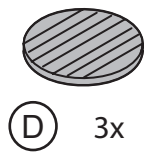
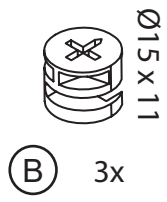
# 26

Assemble the drawer front panels (18, 19, 20) to the drawer tray assembly.



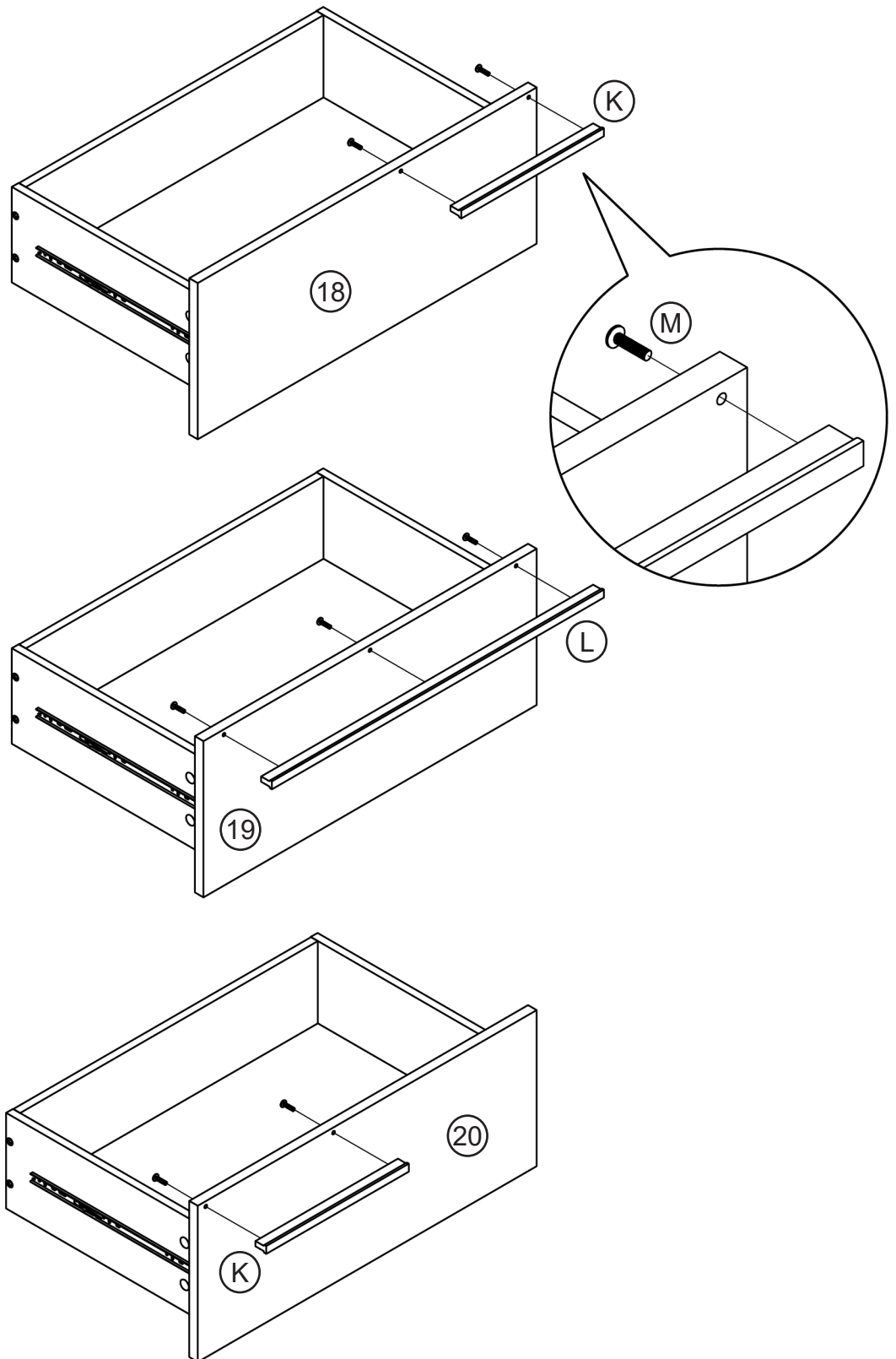
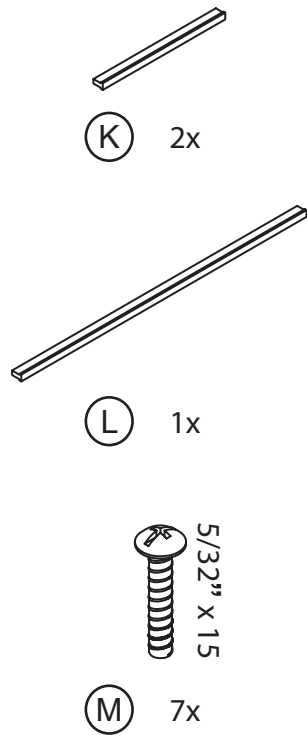
# 27

Secure the drawer support strip to the drawer front panel.

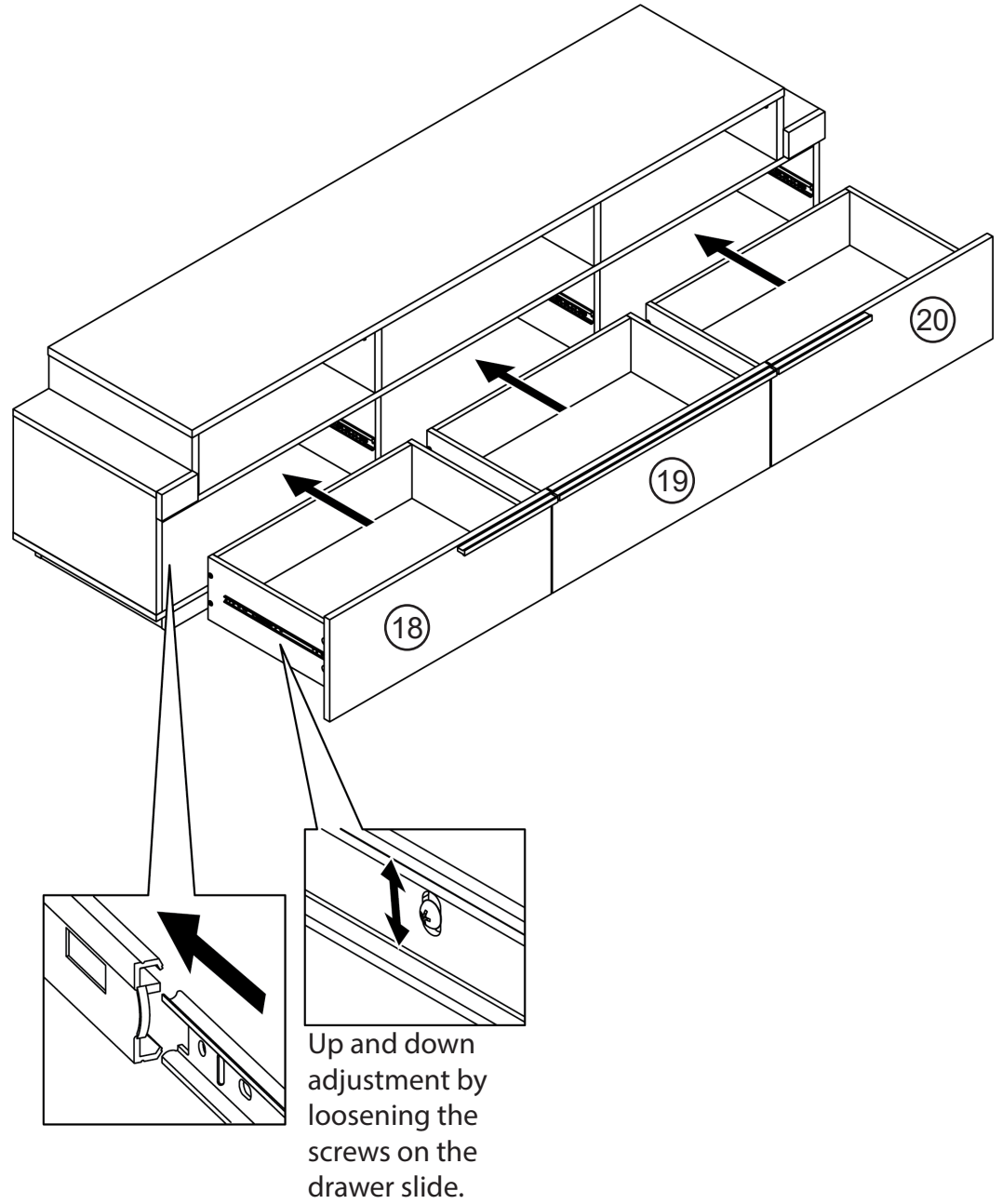


# 28

Attach drawer handle to the drawer front panel.

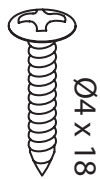


Slide the drawer into the TV stand.



# 30

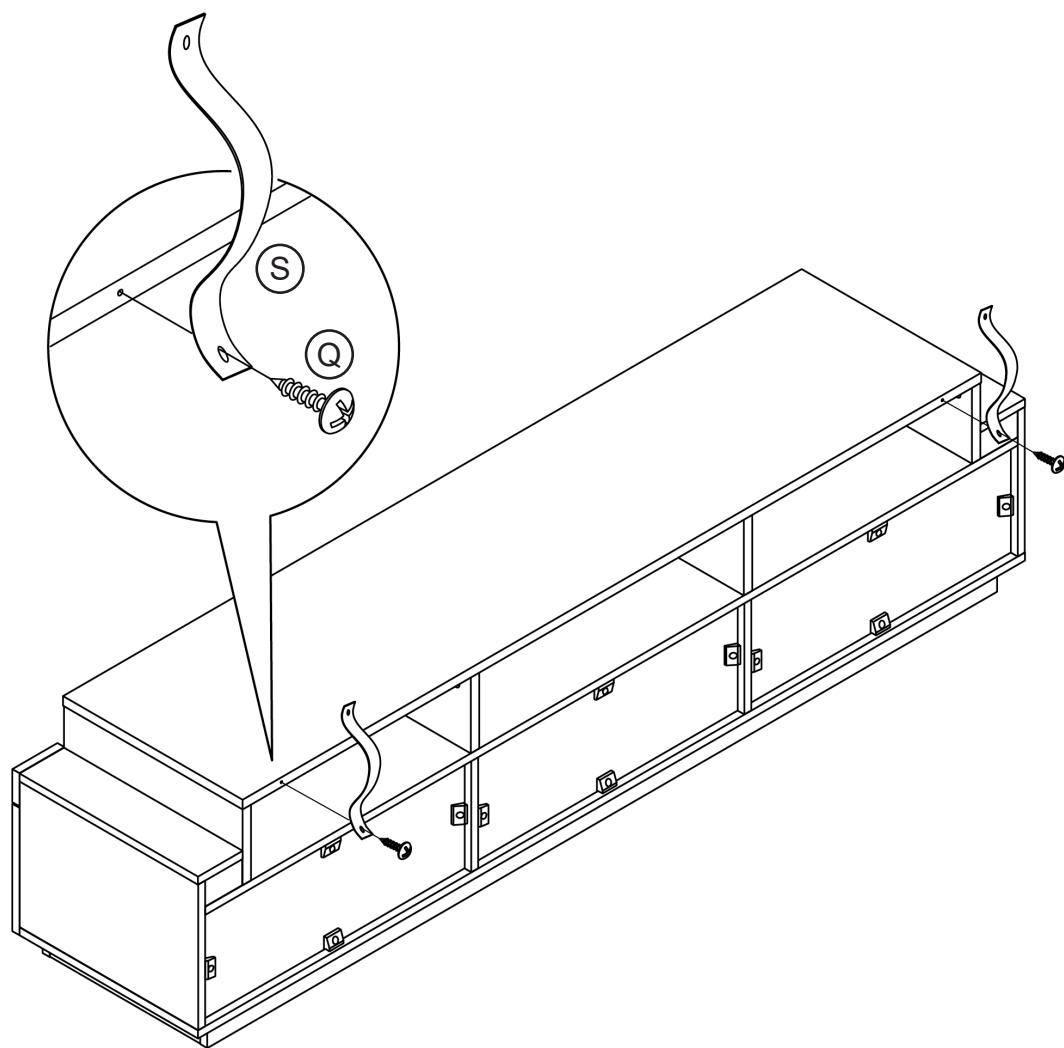
Attach the anti-tipping strap to the back of the TV stand.



Q 2x



S 2x

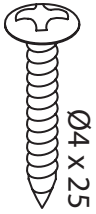


# 31

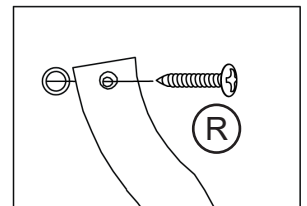
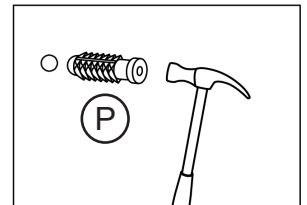
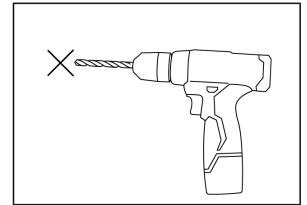
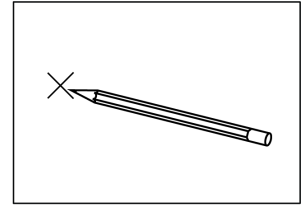
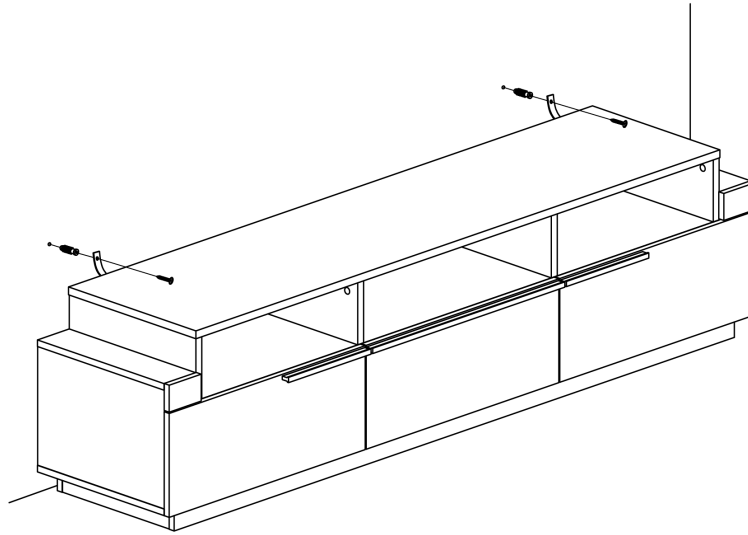
Affix the TV stand to the wall.



(P) 2x



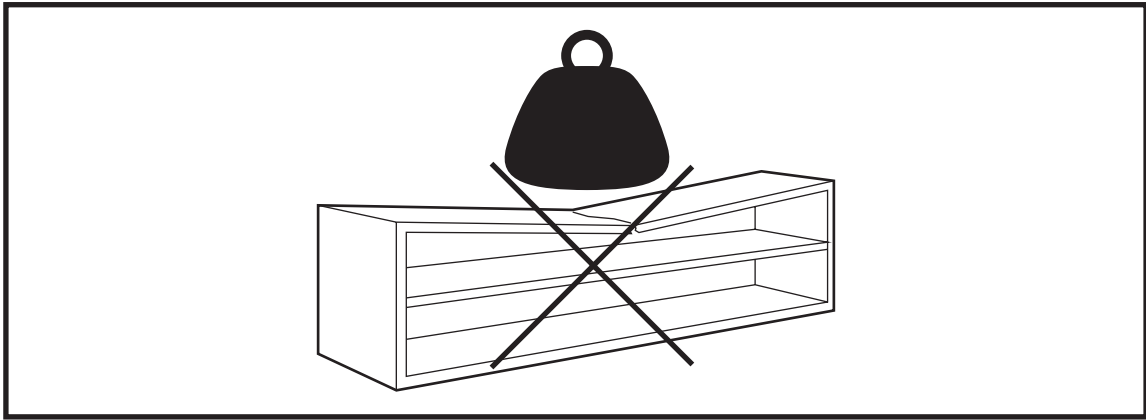
(R) 2x



Furniture must permanently fixed to the wall stud with included anti-tipping device to prevent the furniture from tipping over.

- Mark the drill position on the wall with a pencil.
- Drill a small hole on the marked position.
- Insert a wall anchor into the drilled hole.
- Fixed the anti-tipping strap to the wall with provided screws.

## YOU'RE FINISHED!

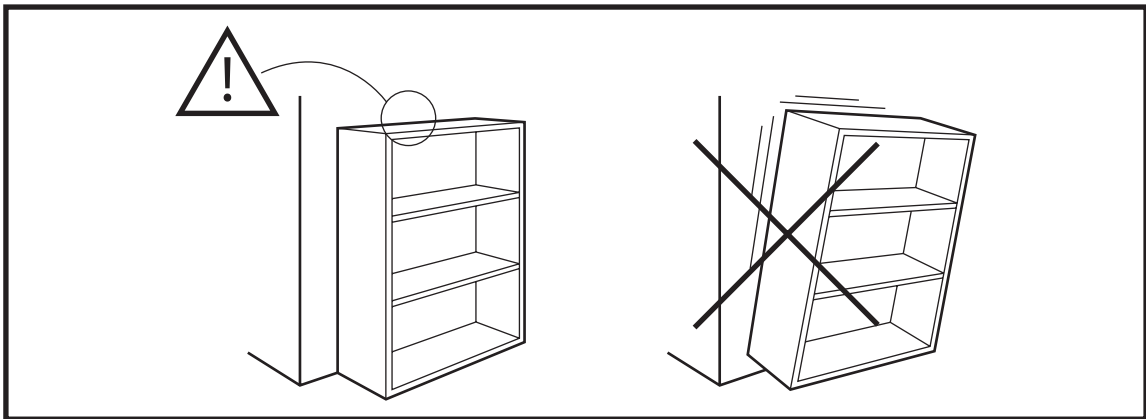


## Warning

Only place items on top of the product if they meet the recommended size and weight limits.

Climbing on, stepping on, or placing overweighted objects on the product may cause property damage and/or injuries.

Items placed onto this product must be resting on a support surface without hanging over the edges.



## Warning

Serious or fatal crushing injuries may occur if the furniture tip-over. Furniture must permanently affixed to the wall with included anti-tipping device in order to prevent the furniture from tipping over.

Different wall materials requires different types of wall anchors or screws. Use a suitable wall anchors or screws for your specific wall in order to secure the stability and load bearing capacity of the furniture. If you are uncertain about which type of device to use, please contact us or your local hardware store.

## WARNING

For use with televisions weighing 80lbs (36.3kg) or less. Use with heavier televisions may result in instability, causing tip over resulting in death or serious injury.

Death or serious injury may occur when children climb on audio and/or video equipment furniture. A remote control or toys placed on the furnishing may encourage a child to climb on the furnishing and as a result the furnishing may tip over on to the child.

Relocating audio and/or video equipment to furniture not specifically designed to support audio and/or video equipment may result in death or serious injury due to the furnishing collapsing or over turning onto a child.

## NOTICE

The recommended maximum width of the TV is 70 inches. Do not exceed the maximum load capacity.

This product is designed for flat panel TVs only.

## FURNITURE CARE AND MAINTENANCE

### Medium - Density Fiberboard

Thank you for your purchase. We want your item to last as long as possible. To ensure the product gives you years of longevity, please follow the recommendations in this care and maintenance guide.



#### MAINTENANCE

- Tighten all bolts and screws again within the first 2 weeks of assembly.
- Check the tightness of all bolts every 2 months and tighten them if necessary.



#### CLEANING

- Clean the surface of the MDF (medium - density fiberboard) with a lightly dampened cloth.
- A small amount of mild soap can be used if necessary.
- Dry the surface immediately after cleaning.

⚠ DO NOT use bleach or alcohol to clean the surface.

⚠ DO NOT apply wood treatment on parts made with MDF.

MDF will swell and distort when exposed to water damage. Make sure to dry the furniture immediately after cleaning.

### ⚠ WARNING

The manufacturer and seller are not responsible for any and all liability relating to personal injury, property damage or losses, whether direct, indirect, or incidental, resulting from the incorrect attachment, improper use, inadequate maintenance, unapproved modification or neglect of this product.

# WARRANTY

Our products come with a 1-year warranty from the date of delivery. **Register your product on our website to enjoy our limited lifetime warranty!**

## AFTER-SALE SERVICE



Encounter any difficulties or missing parts?



Contact us or email us



We will send you replacement.



Hassle free!  
No need to worry about repackaging and sending your item back.