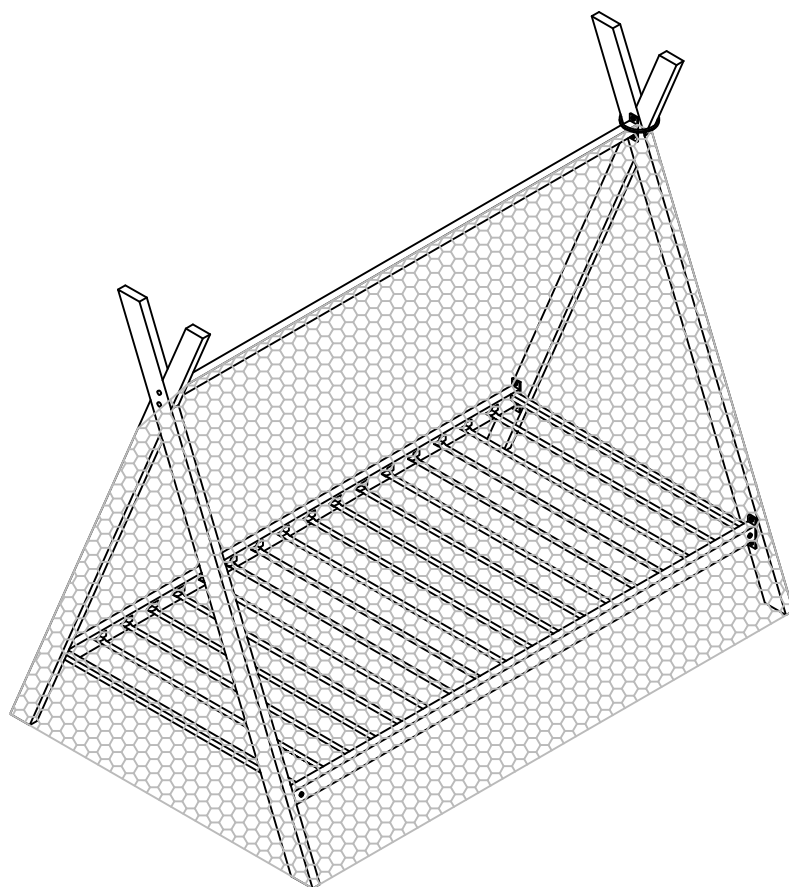


ASSEMBLY INSTRUCTIONS



Fine Furniture for every stage of life

ASSEMBLY INSTRUCTIONS

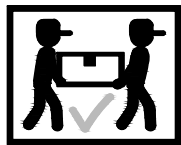
ASSEMBLY TIPS:

1. Remove hardware from box and sort by size.
2. Please check to see that all hardware and parts are present prior to start of assembly.
3. Please follow attached instructions in the same sequence as numbered to assure fast & easy assembly.



WARNING !

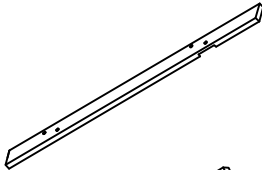
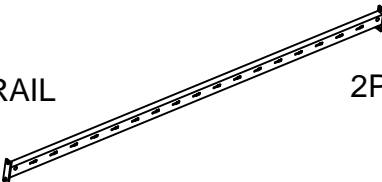
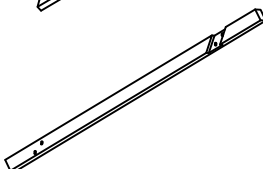
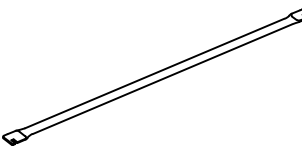
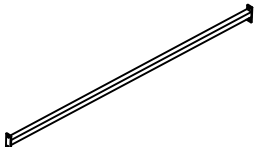
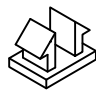
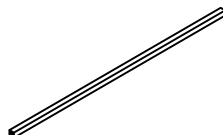
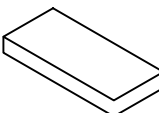
1. Don't attempt to repair or modify parts that are broken or defective. Please contact the store immediately.
2. This product is for home use only and not intended for commercial establishments.








ASSEMBLY TIME

30 MINUTES

PARTS IDENTIFICATION

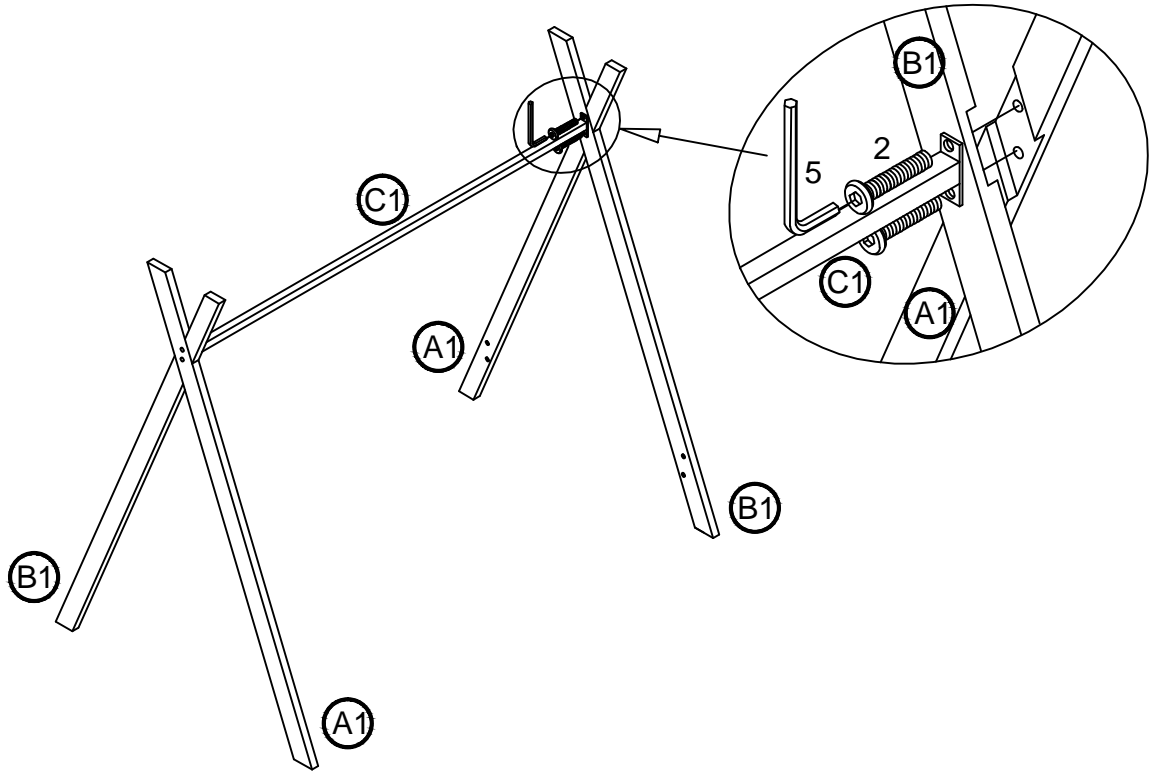
A1.POST A		2PCS	E1.LONG RAIL		2PCS
B1.POST B		2PCS	F1.SLAT		16PCS
C2.POST STRETCHER		1PC	G1.SLAT CONNECTOR		32PCS
D1.SHORT RAIL		2PCS	H1.BED NET		1PC

HARDWARE PACKAGE

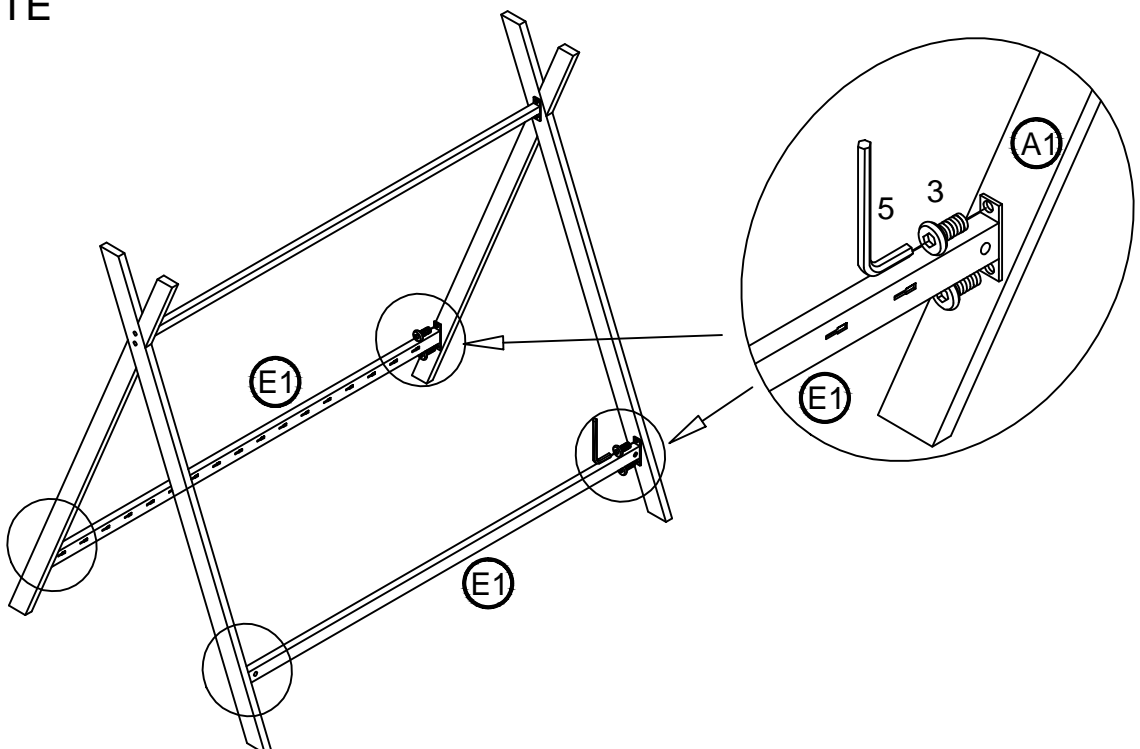
1. BOLT (Ø1/4*50MM)		4PCS	4. ALLEN WRENCH (M4)		1PC
2. BOLT (M8*30MM)		4PCS	5. ALLEN WRENCH (M5)		1PC
3. BOLT (M8*20MM)		8PCS			

ASSEMBLY INSTRUCTIONS

STEP 1

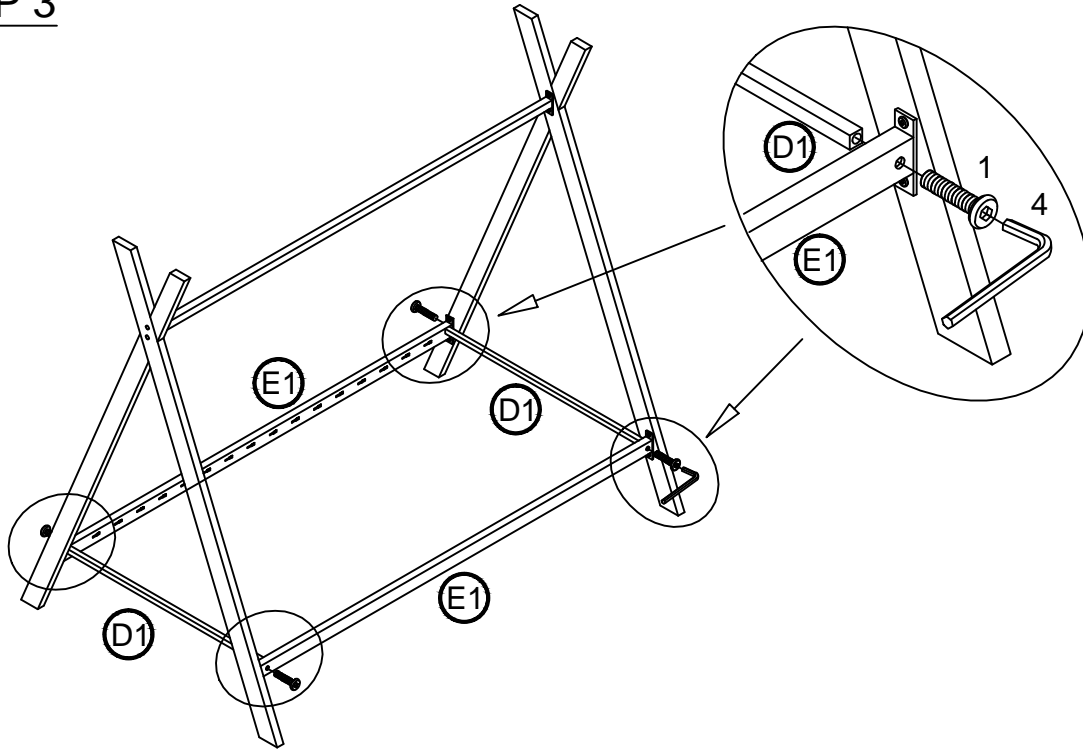


STEP 2 COMPLETE

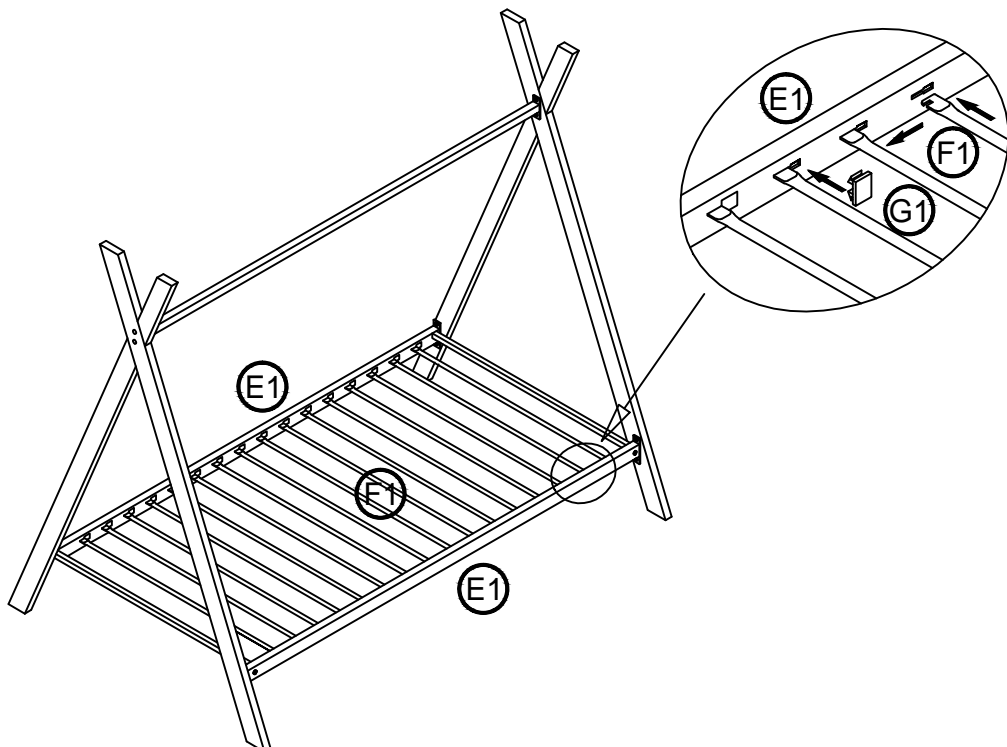


ASSEMBLY INSTRUCTIONS

STEP 3

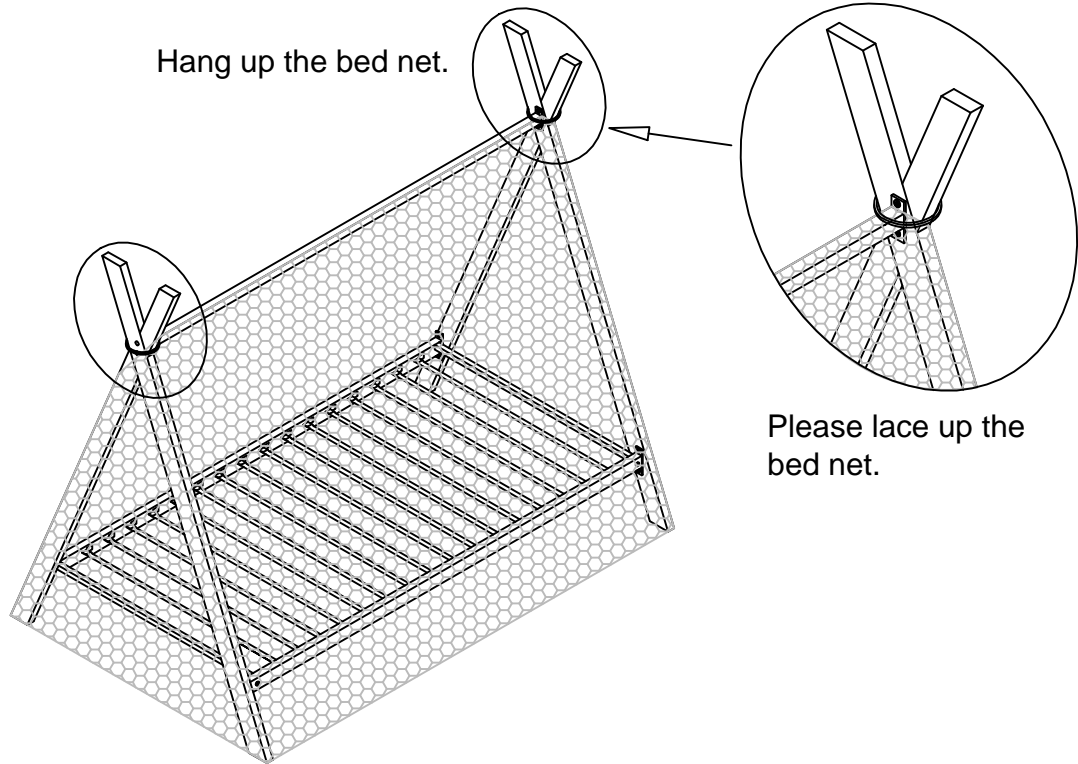


STEP 4 COMPLETE

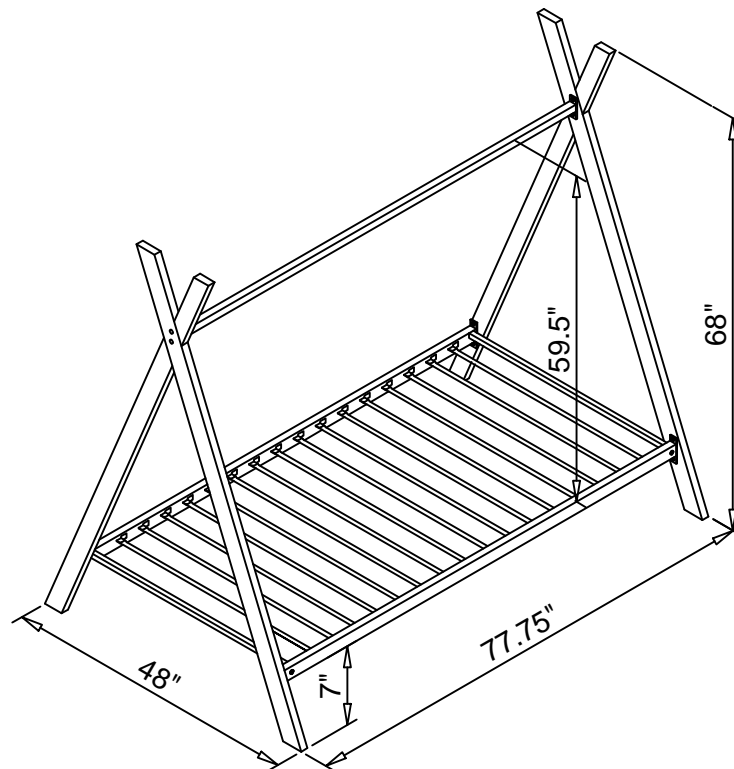


ASSEMBLY INSTRUCTIONS

STEP 5



STEP 6



Note: Dimension tolerance $\pm 5\%$