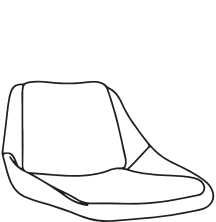
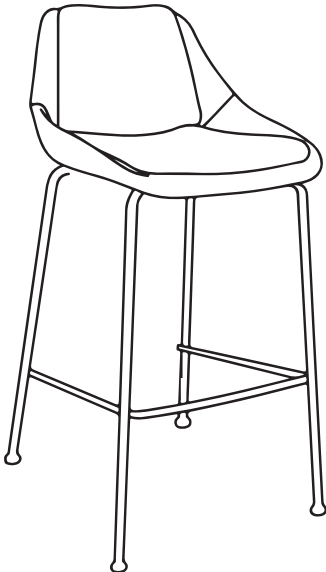
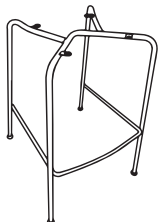


PLEASE NOTE: Check that you have received all components and hardware before assembling.

Assembly Instructions Bar Stool



A (1 pc)



B (1 pc)



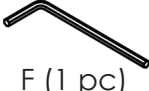
C (4 pcs)



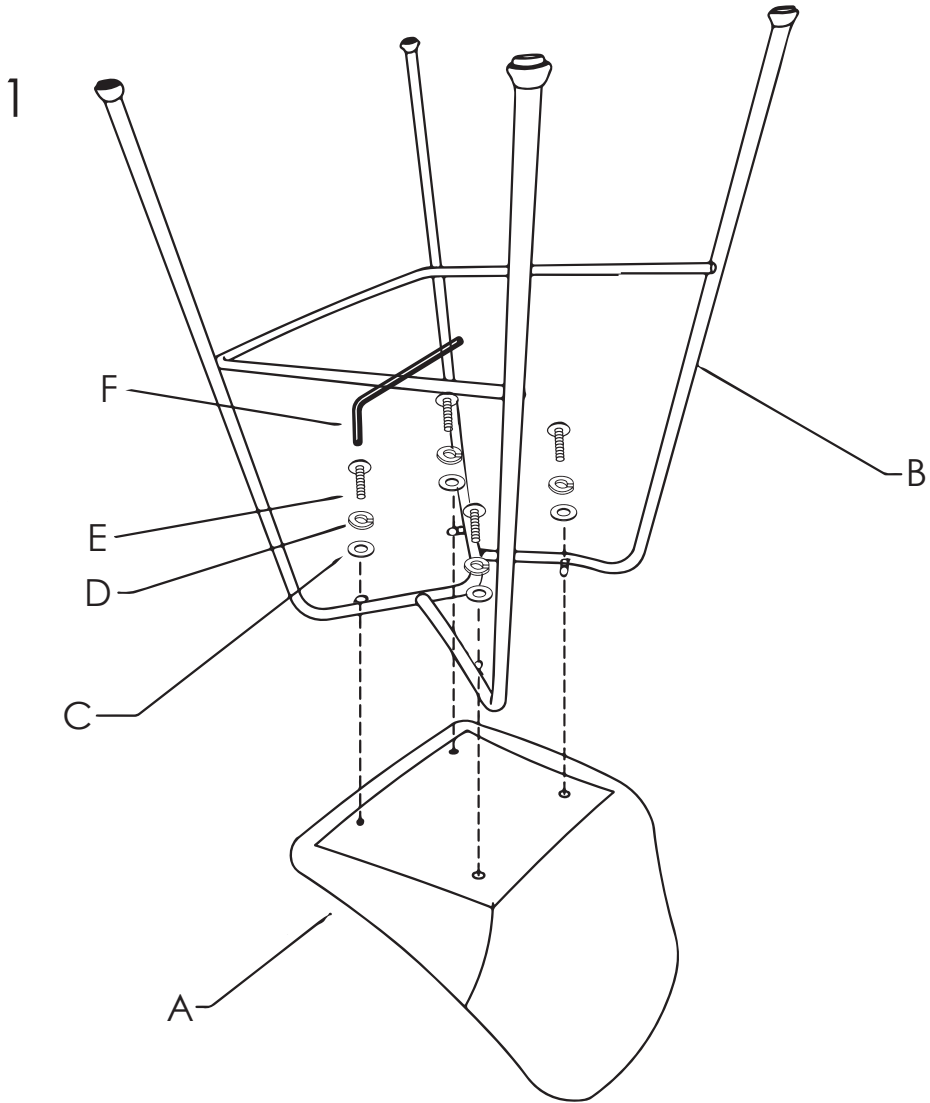
D (4 pcs)



E (4 pcs)
M6-1x15mm



F (1 pc)



During assembly, hand tighten screws only. When the screws are in place, tighten completely.