



Hello. How can we help you?

Search for answers



Simpled Knowledge Base > Manuals and data specs

FAQs >

Getting started

Troubleshooting

General

Reports

Integrations

Accessories

Manuals and data specs

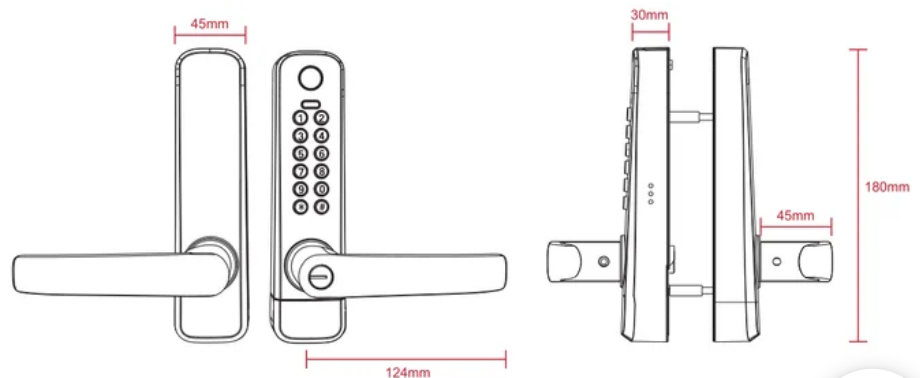
Smart Lock

Doorbell

# WF-SP Manual and data specs

You can find the manual and data specs of the WF-SP lock below

### Product Overview:



### What's included:



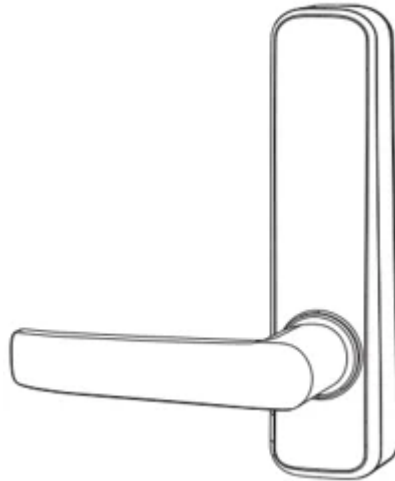
GateWay



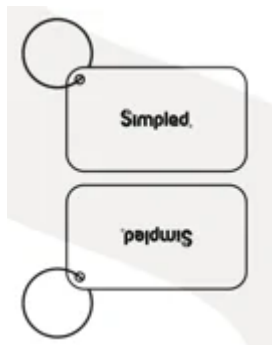
**1\* Front Panel**



**1\* Back Panel**



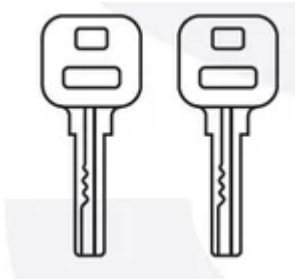
**2\* Proxy Fobs**



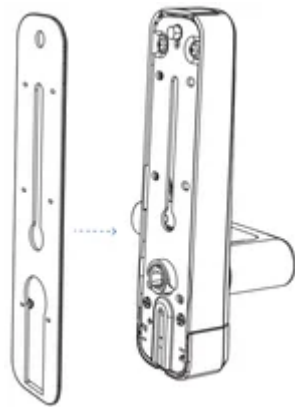
**1\* Phone Sticker**



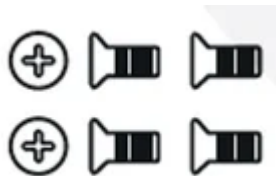
**2\* Mechanical Key**



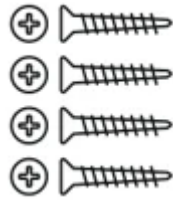
**2\* Waterproof Rubber Plate**



**4\* Mortise Screws:KM5\*10mm  
(For Aluminum Door)**



**5\* Mortise Screws:KA4\*20mm  
(For Wooden Door)**



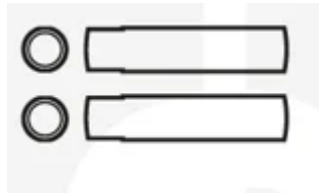
**2\* Sliding Screw:M5\*6.5mm**



**1\* L -shaped Hexagon Wrench**



**2\* Screw Stubs:M5\*18mm**



**2\* KM5\*20mm Screw**



**2\* KM5\*25mm Screw**



**1\* 60mm Square Shaft**



**Specification:**

<b>Suitable for Models</b>	S06-TB	<b>Doors Applicable</b>	Aluminur door  Wooden door
<b>Materials</b>	Aluminum alloy	<b>Working Voltage</b>	3V,1x CR12 Battery
<b>Lock Weight</b>	1KG	<b>Door Thickness to Fit</b>	20-30mm
<b>Unlocking options</b>	Bluetooth  Fingerprint(option) Password Card Mechanical key  Gateway(option)	<b>Data Capacity</b>	Fingerprii : 200  Password : 150  Card: 200
<b>Colour</b>	Silver  Black	<b>Working Temperature</b>	-10°C-55°C

**Low-  
Wattage  
Alarm**

Less than  
2.4V

**Working  
Humidity**

0-95%



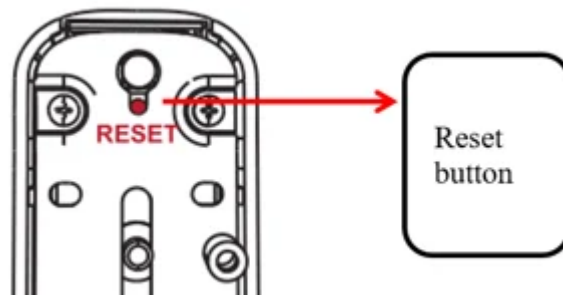
## 1. Initialisation

**Note:** Please note all data will be erased if you reset your lock to factory default. All entered fingerprints, passwords, and other data will be cleared.

1. Open the cover plate of the back panel.
2. Long-press the reset button until the voice

prompt "Please enter initialisation password".

1. Release the reset button and enter "000#".

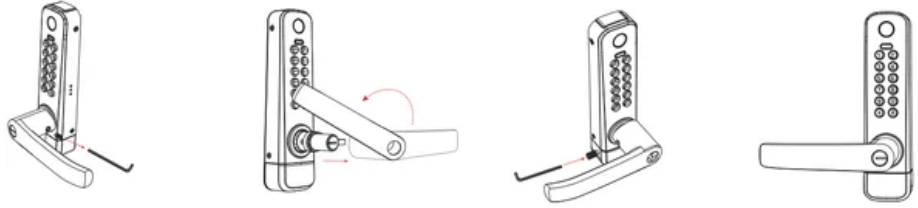


## 2. Installation

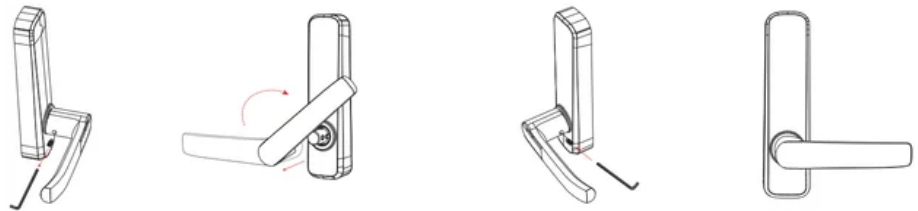
### 2.1 Turn the handle

Notice: Adjust the handle according to the direction you open the door.

### Front handle

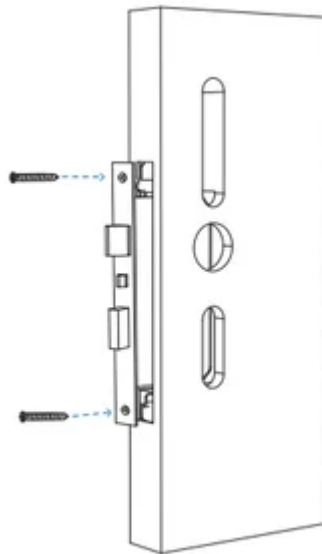


### Back handle



## 2.2 Installation Diagram

### Step 1: Install Mortise

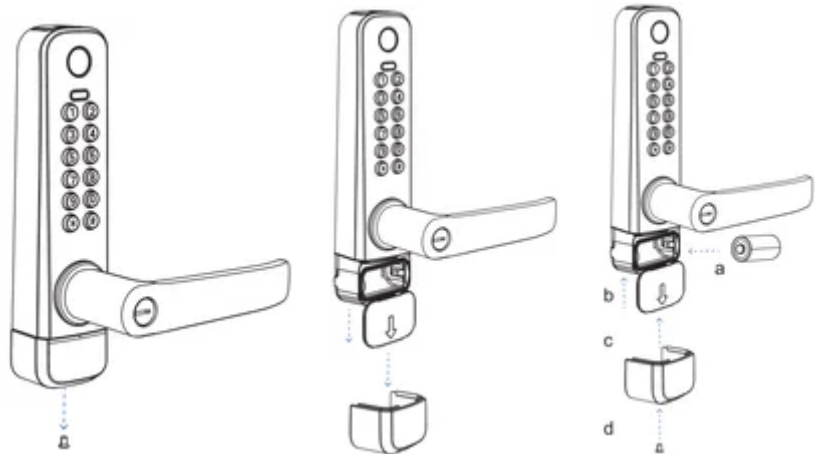


Install the mortise into the door with screws



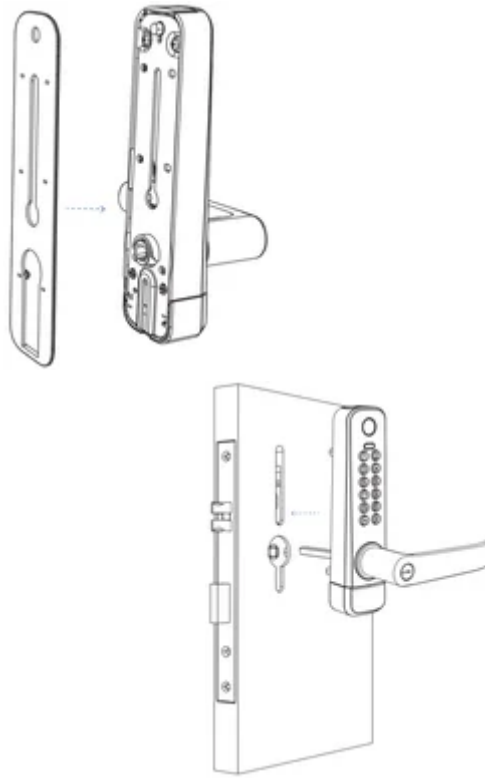
## Step 2: Install Batteries

1. Remove the screw of the battery cover.
2. Open the battery cover.
3. Insert the battery and the battery cover.

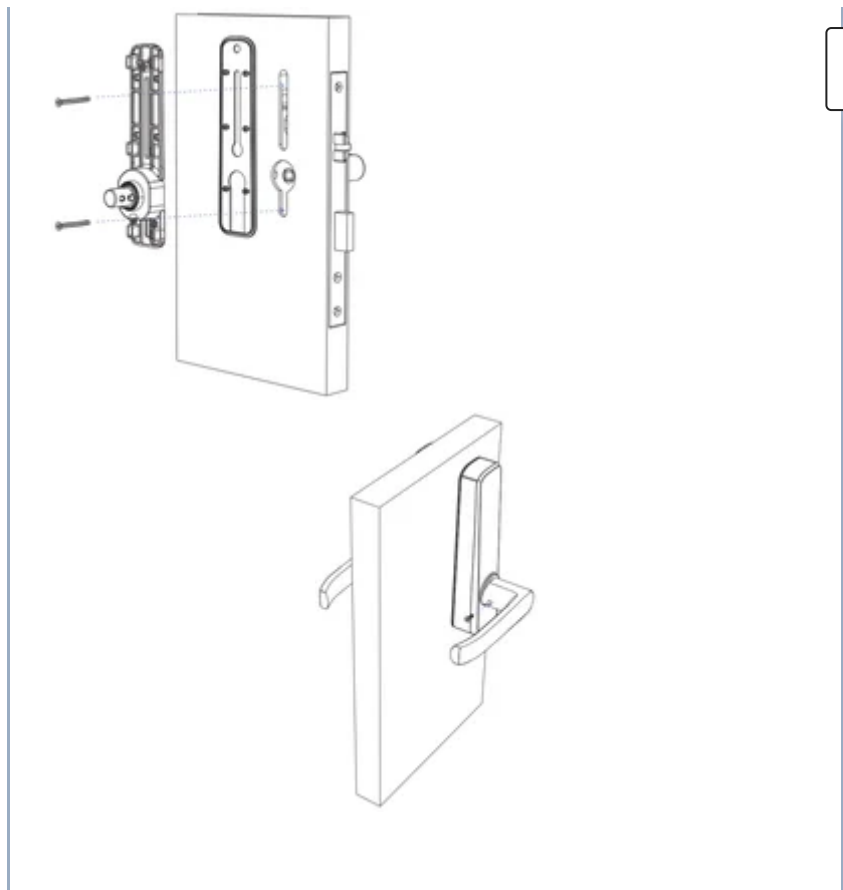


## Step 3 Install: Exterior Assembly

1. Install the waterproof rubber plate on the exterior assembly.
2. Install the square shaft into the spindle hub, keeping the arrow pointing down.
3. Install 2 screw casings.
4. Install the exterior assembly on the door.

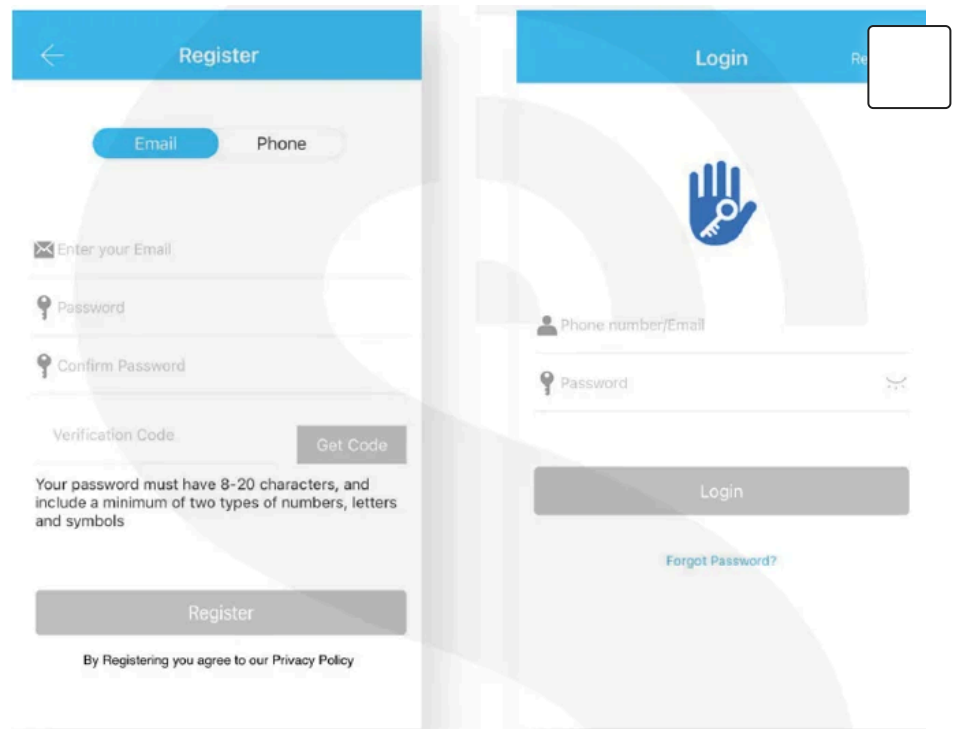


1. Install the waterproof rubber plate.
2. Install 2 screws.
3. Install the back panel cover.
4. Install the handle and 1 screw. Complete Installation.

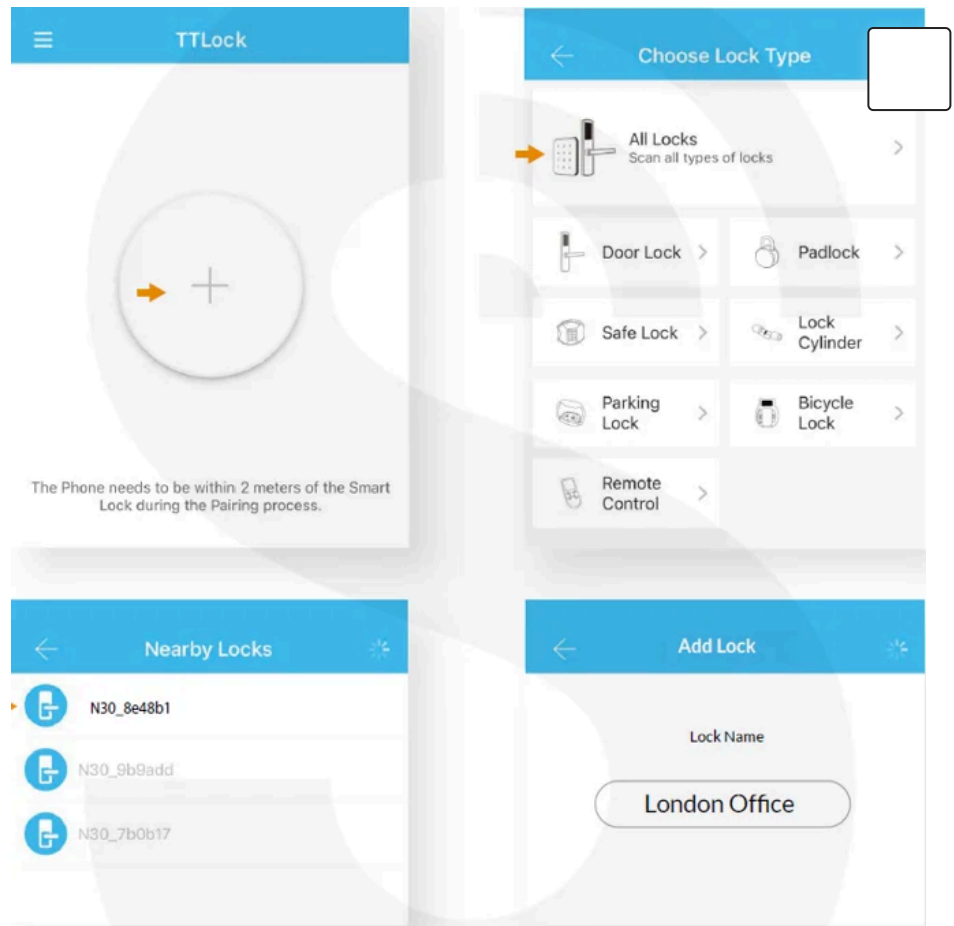


## Setting up the Smart App (TTLOCK):

1. Download the "TTlock App" from the App Store or Google Play by either
  - Scanning the QR code
  - Searching the "TTLock" app
2. Sign up for a TTlock account, and add the smart lock to the device list



3. Activate the lock's Bluetooth by touching the Lock's keypad
4. Tap on "+ Add Lock" and select your lock type. Press on "All Locks" if you are not sure.
5. In the "Nearby Locks" list, select the appeared lock. Please make sure you are near the lock in the Bluetooth range.
6. Rename the Lock "Sweet Home, Spain Villa, London Office, ..."



## Bluetooth Unlock:

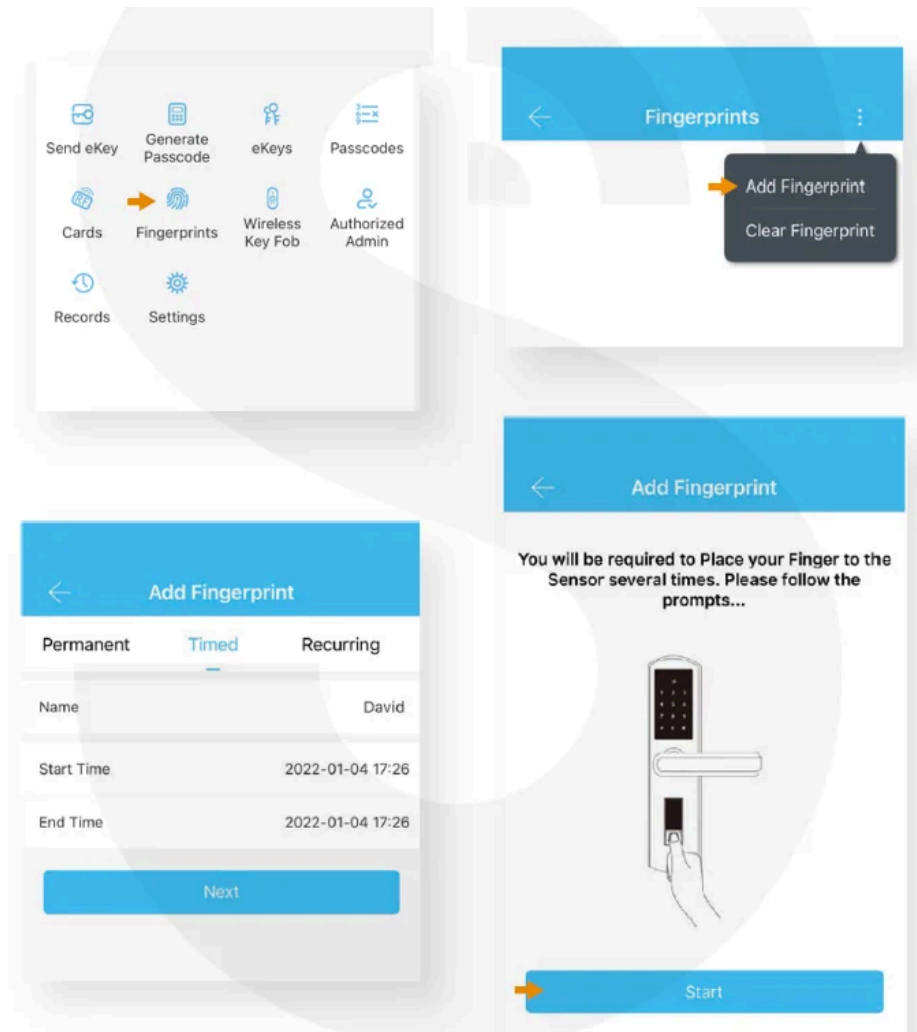
Try to open the lock by tapping on the “Lock Icon”. Please ensure there is no problem with Bluetooth communication, and the phone is within the 5-meter range of the Simplified Slim Smart Lock.

## Add Fingerprints:

For adding a new fingerprint,

1. Select Fingerprint from the lock screen in the app
2. Tap on the three dots
3. Select Add Fingerprint
4. Choose a name for later reference “ It helps you to recognise the fingerprint in the unlocking reports”.
5. Choose whether you want to create limited-time or permanent access.
6. Then start and press your fingerprint 4 times on the fingerprint sensor

7. You should see it is done successfully.
8. Test the fingerprint.



## Add Passcodes:

You can create different passcodes types to open the Simplified slim lock:

permanent, time-limited, OTP(one-time passcode), cycle or custom.

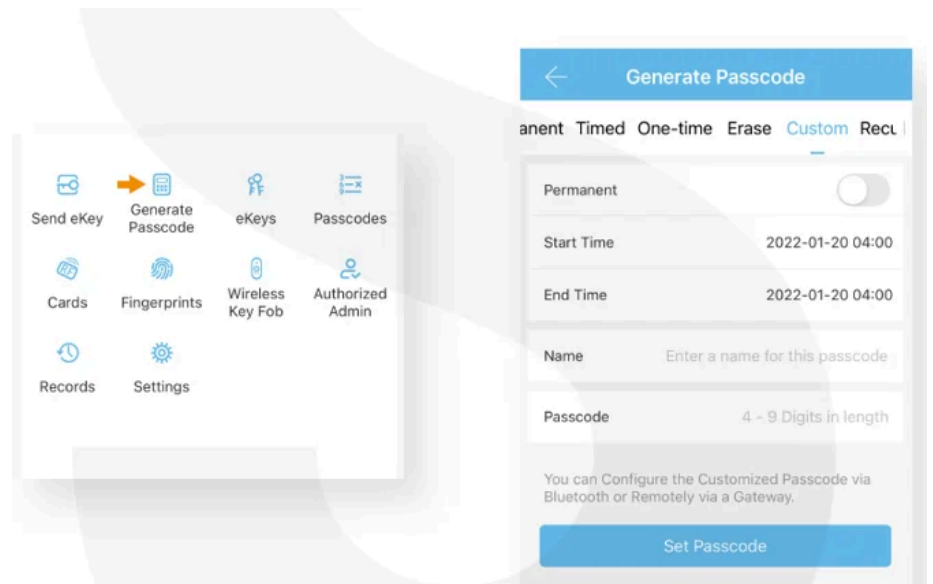
You can easily share the passcode with other users via SMS, Email, WhatsApp.

You can create, limit, share and delete a passcode without a bridge using the app when you are near the lock.

But for example, If you want to eliminate a passcode remotely, you need a Bridge. You can learn more about Bridge features in its section.

Gain access with Passcodes:

1. Touch the keypad with your palm or back of your fingers to wake up the lock.
2. Enter the generated passcode. (Before setting new passcodes, the default code is 123456#)
3. Press #.



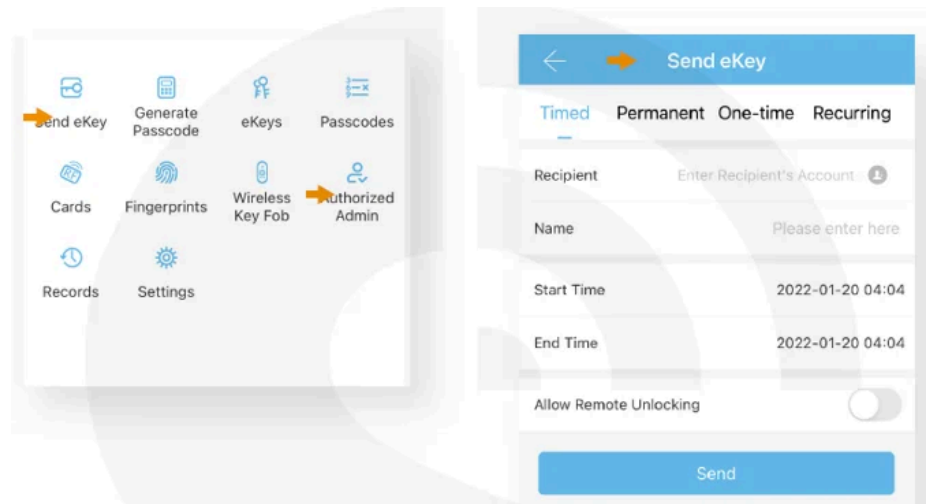
## Passcode Management:

- Click on “Passcodes”. In this section, the Admin user can
1. Change, delete or reset passcodes.
  2. Review the unlock records of passcodes.

## Create and Send e-Keys:

By selecting the “Send eKey” as shown in the figure, you can create and share an electronic key with your friends, family, maid, dog walker or your AirBnB guests. For using the eKey, they need to download and sign up for a new account. This will also help you find out about the time they opened the lock. E-Keys are also available in different types: Permanent, Time-Limited, One-time and recurring.

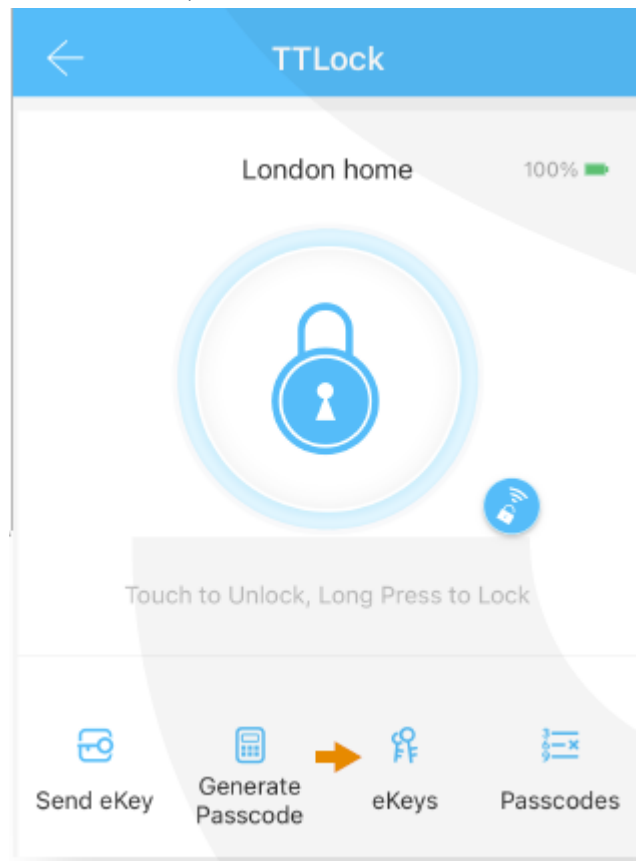
You can authorise a user as Admin in the Authorised Admin section.



## e-Key Management:

Click on eKeys. In this section, the Admin user can

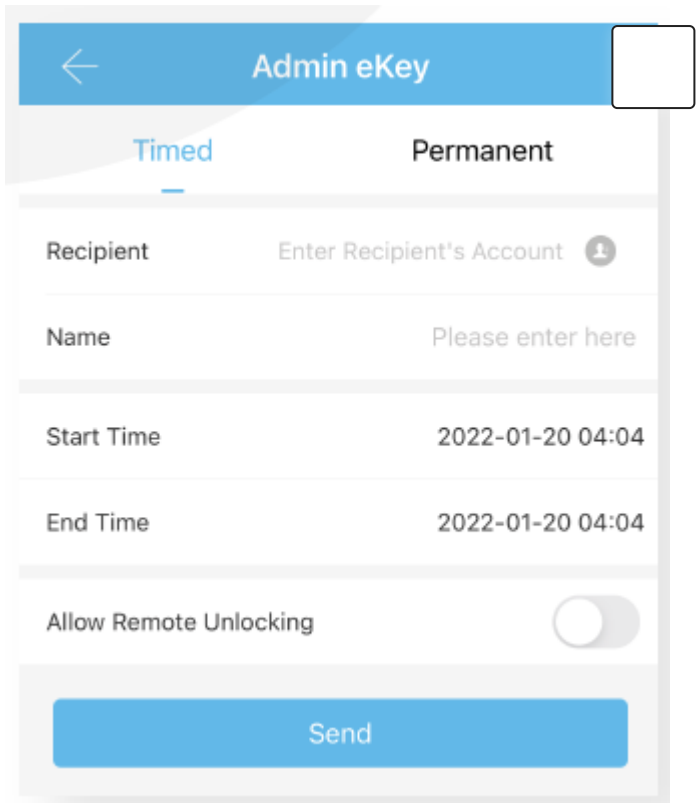
1. Reset or delete eKeys.
2. Review the access records.



## Create Admin:

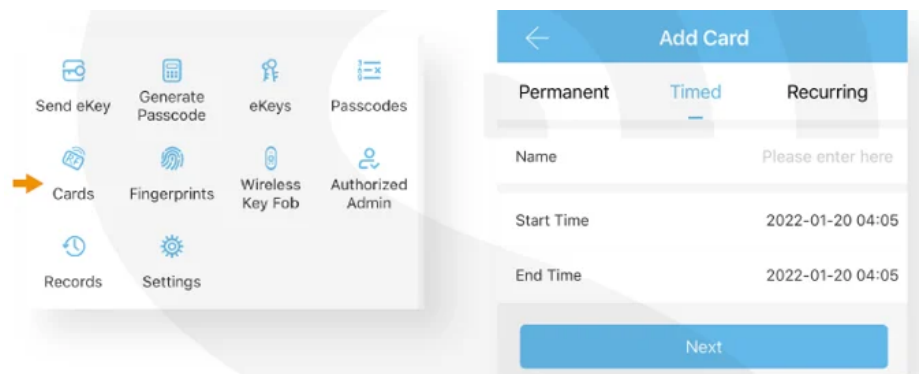
With this feature, you can assign a new timed/ permanent admin to have the same level of access to the lock.

For example, your receptionist or even your guest will be able to add new users and even register their own fingerprint on the smart lock, up to the time their users are valid.



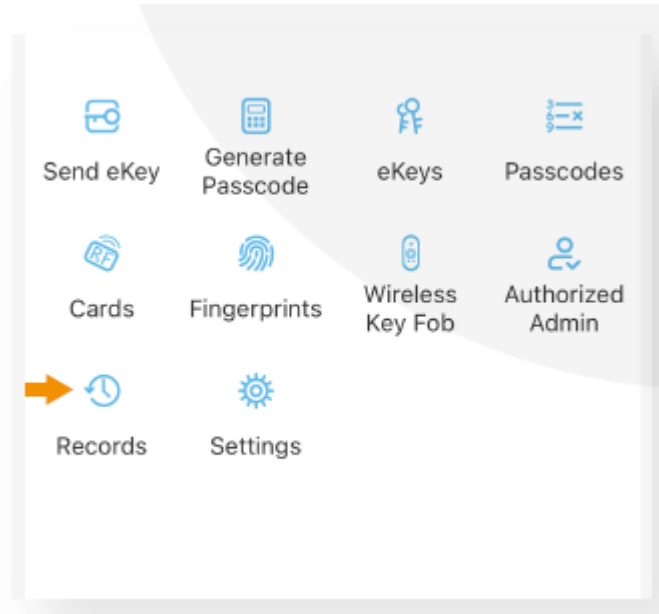
## Program Card, Proximity Fobs, Phone Tag Stickers:

Before a proxy fob or sticker can open the lock, it is required to be programmed first. Fobs/Stickers can also be Permanent or Limited by time.



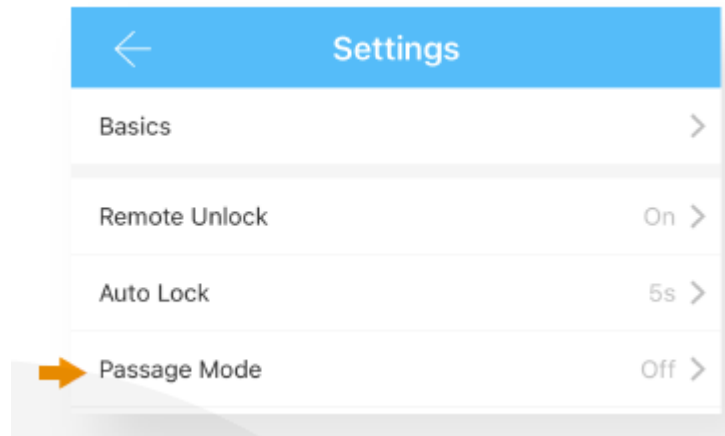
## Unlocking Records:

Tap on “records”. In this part, you can review all the unlock records.



## Activate Passage Mode:

1. Choose the lock
2. Tap on “Settings”
3. Select “Passage Mode”
4. Turn on this mode and press Save



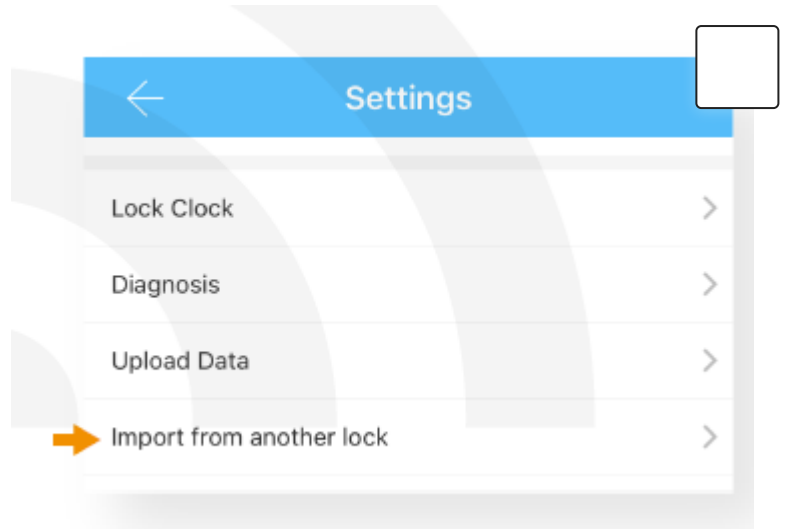
Note: To activate the passage mode, you need to unlock it once with the app!

## Import data from an old Simplified lock:

To transfer data from an old Simplified lock to a new one you can follow these steps:

1. Choose the new lock on the app.
2. Tap on "Settings"

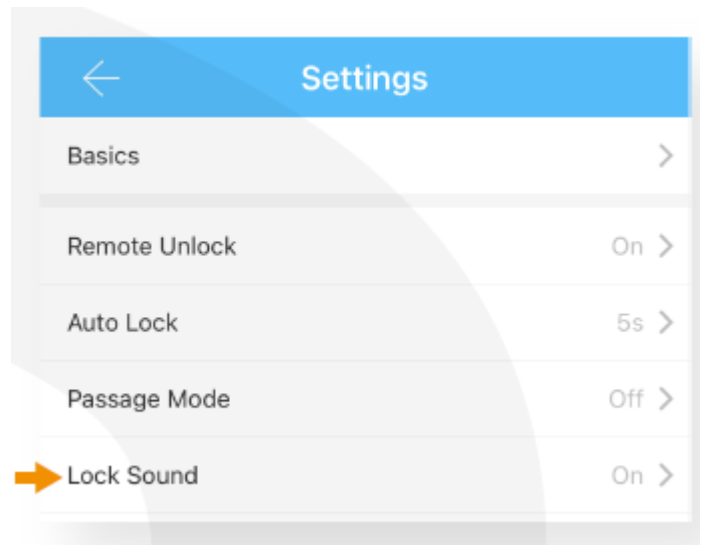
3.  
Select  
"Import  
from  
another  
lock"



4.  
Choose your old lock from the list.

### Turning off/on the lock sound:

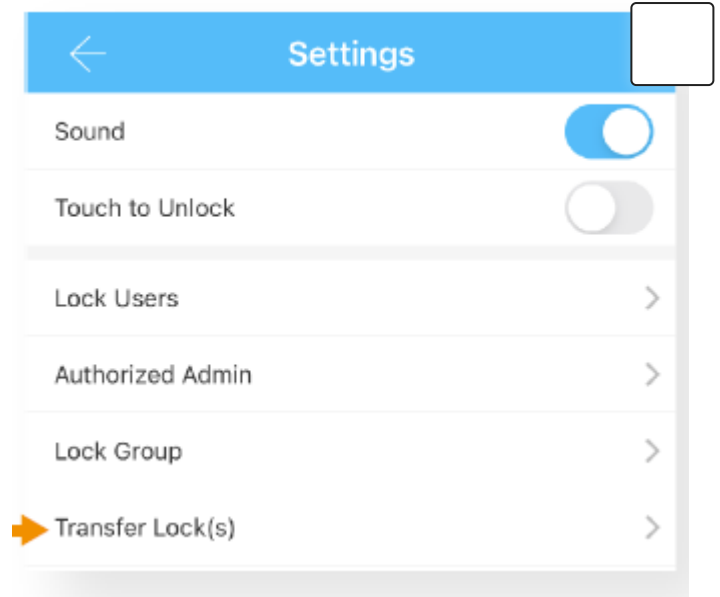
1. Open the app.  
2. Tap on the  
lock.  
3. Choose  
"Settings".  
4.  
Disable/Ena  
ble the Lock  
sound.



### Transfer lock to a new owner:

1. Open the app  
2. Tap on the more option icon on the top  
Left  
3. Select "Settings"

4. Tap on “Transfer Lock(s)”
5. Select the lock(s) and press Next
6. Enter the new owner Account, and press Next.



Notice: The selected lock(s) will be permanently transferred.

## WiFi Bridge Pairing:

With the Gateway, you can:

- Open your lock from anywhere
- Remotely read the lock operation records, including, fingerprint, passcodes
- Calibrate the lock clock remotely
- Remotely delete and modify passcodes
- Use the Simplified lock with your Alexa
- Use the Simplified lock with your Google home

## Light Status:



When the Gateway is powered on:

- Light Flashes alternately in Red and Blue: Stand-by mode, ready for pairing
- Blue light: Working mode
- Red Light: Network failure

# Pair the Gateway with APP:



1 Activate the APP



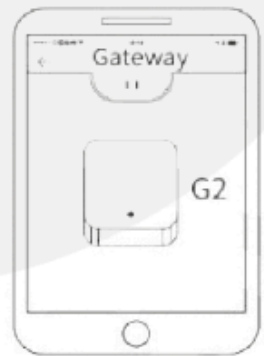
2 Pres " ≡ "



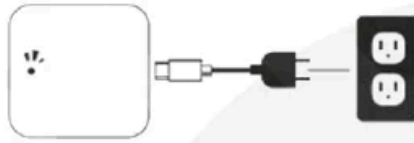
3 Select (Gateway)



4 Select (G2)



5 Plug in the Gateway and power it on, while the light Flashes alternately in red and blue



6 Press “ + ” sign



7 Add (Gateway)



8 Select the network and fill in the password



**Note: You can register an account by your email address or mobile number that is available in 200 countries around the world.**



## FAQ

1. How to read operation records?

In the Records of the main interface.

2. Why can't I unlock it after open the passage mode?	You need to perform an unlock verification in any method, than the passage mode will take effect.
3. What is the purpose of Auto Lock?	You can set how long to lock after unlocking.
4. After installation, touch sensing keyboard, screen no respond	<p>a) In this case, first check that the positive and negative electrodes of the battery have been installed upside down, whether the battery has enough power</p> <p>b) Remove the back panel and see if it's connected.</p> <p>c) To eliminate the above situation, you need to remove the lock ,check whether the wires of the lock body are squeezed, and the re-wire.</p>
5. Unable to register fingerprint	<p>Check the fingers for dirt or wear, check the fingerprint head on the lock for dirt and oil stains, etc.</p> <p>Check to see if the fingerprint is working properly(Press to see if there is any responds.</p>
6. What is the reason why the smart lock	a) Large standby power consumption.

consumes fast power?      b) Short circuit.



7. There is no response to pressing the handle on outside the door, and there is unlock normally on inside the door, but the verification is normal, and the motor is normal.

It may be the triangle direction on the clutch was error, please check correction.

8. How many times will the password be locked? How long is it locked?

Enter the wrong password more than 5 times in a row, the keyboard is locked for 90 seconds.

---

Was this article helpful?

Yes

No

---

## Related articles

[MF-BB with Built-in WiFi Bridge Manual](#)

[New Leverline series manual and data specs](#)

[Simpled PG-SP WiFi Bridge](#)

[New MF-SP Euro Profile Motorised Smart Cylinder Lock - Manual and data specs](#)

[SS-BB \(Built-in WiFi\) - Manual and data specs](#)



---

# Simplified Tech Ltd

simplified.uk Help Center

Copyright © 2025, Simplified Tech Ltd