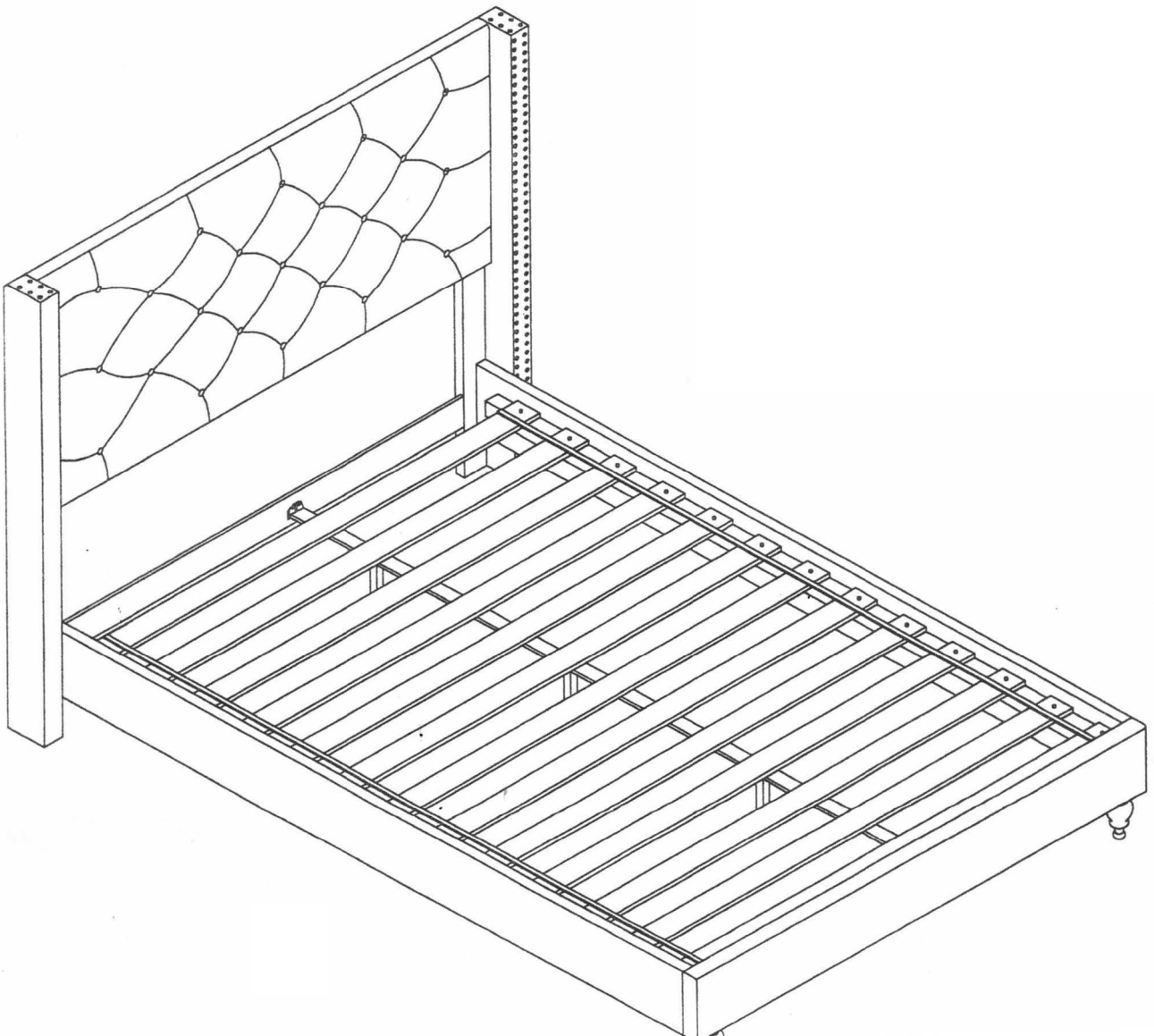
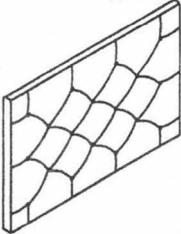
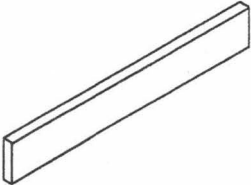
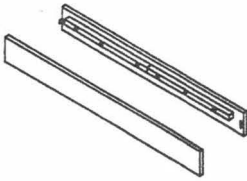
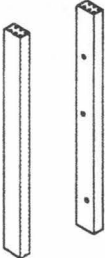


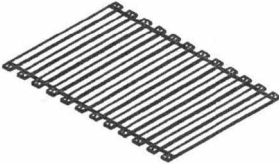






ASSEMBLY INSTRUCTION








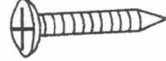
IMPORTANT: PLACE ALL PARTS ON A CLEAN AND SMOOTH SURFACE SUCH AS A RUG OR CARPET TO AVOID THE PARTS FROM BEING SCRATCHED KINDLY FOLLOW THE ASSEMBLY INSTRUCTIONS STEP DO NOT TIGHTEN ALL SCREWS UNTIL THE BED IS FULLY SET-UP



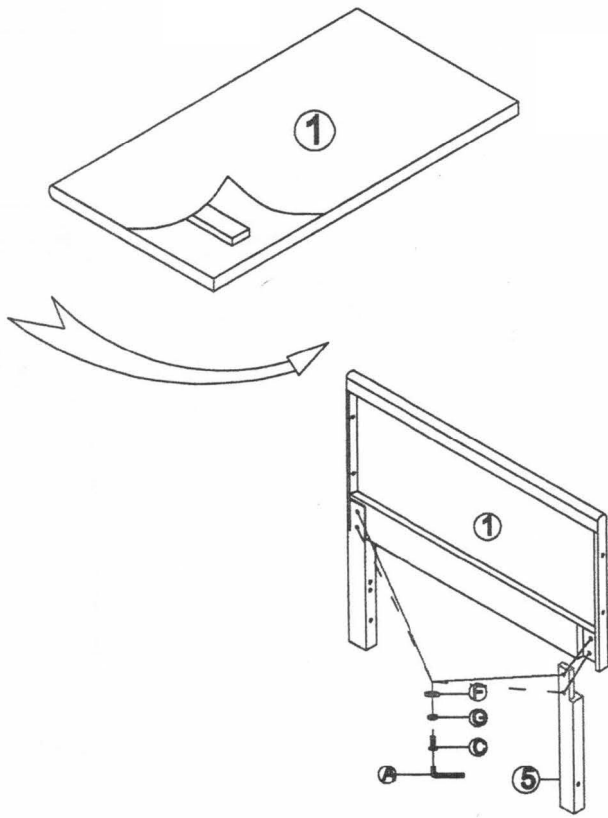
PARTS LIST:

<p>① Headboard=1pc</p> 	<p>② Footboard=1pc</p> 	<p>③ Side Rail=2pcs</p> 	<p>④ Wingback=2pcs</p> 
<p>⑤ HB Leg=2pcs</p> 	<p>⑥ FB Feet=2pcs</p> 	<p>⑦ Slats=13pcs</p> 	<p>⑧ Support rail=1pc</p> 
<p>⑨ Support leg=3pcs</p> 	<p>⑩ Crossband=1pc</p> 	<p>⑪ Connection Strap=2pcs</p> 	

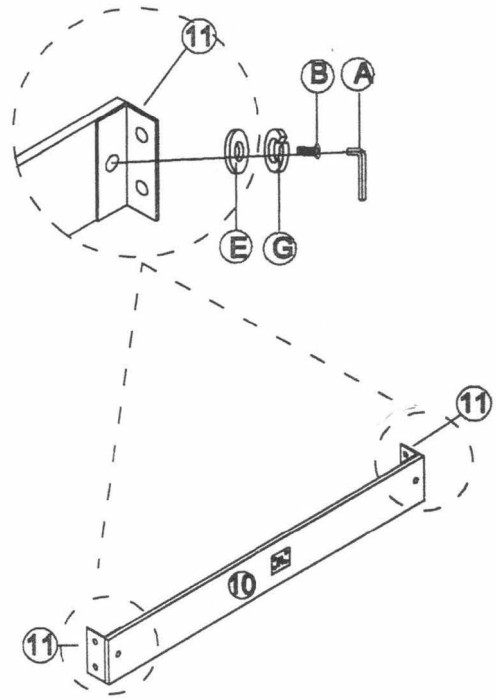
HARDWARE LIST:

<p>Ⓐ Allen Key=1pc</p> 	<p>Ⓑ Bolt $\frac{5}{16}$"x1"=14pcs</p> 	<p>Ⓒ Bolt $\frac{5}{16}$"x2"=8pcs</p> 	<p>Ⓓ Bolt $\frac{5}{16}$"x4"=2pcs</p> 
<p>Ⓔ Flat Washer $\frac{5}{16}$"x19"=14pcs</p> 	<p>Ⓕ Flat Washer $\frac{5}{16}$"x22"=10pcs</p> 	<p>Ⓖ Spring Washer=24pcs</p> 	<p>Ⓗ screw 10mmx1-$\frac{1}{4}$"=26pcs</p> 

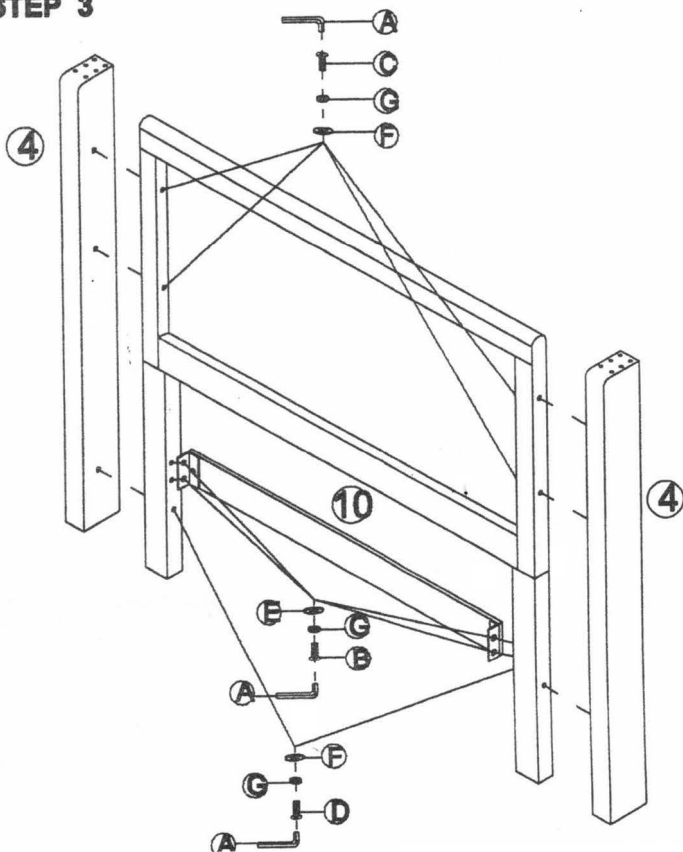
STEP 1



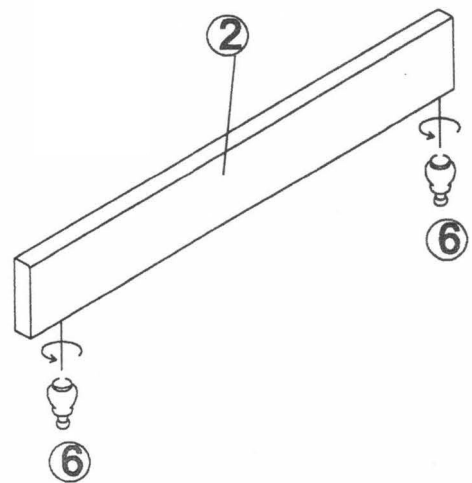
STEP 2



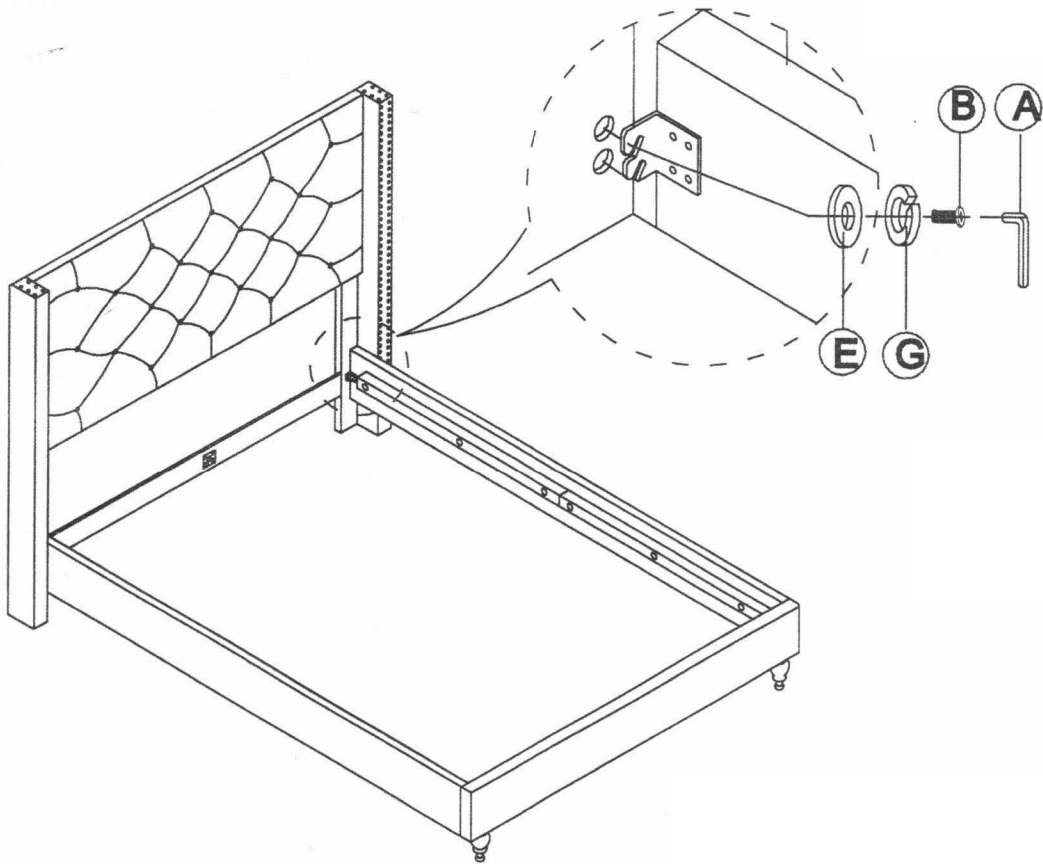
STEP 3



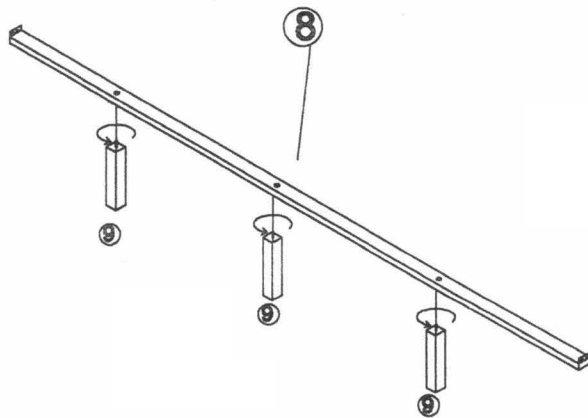
STEP 4



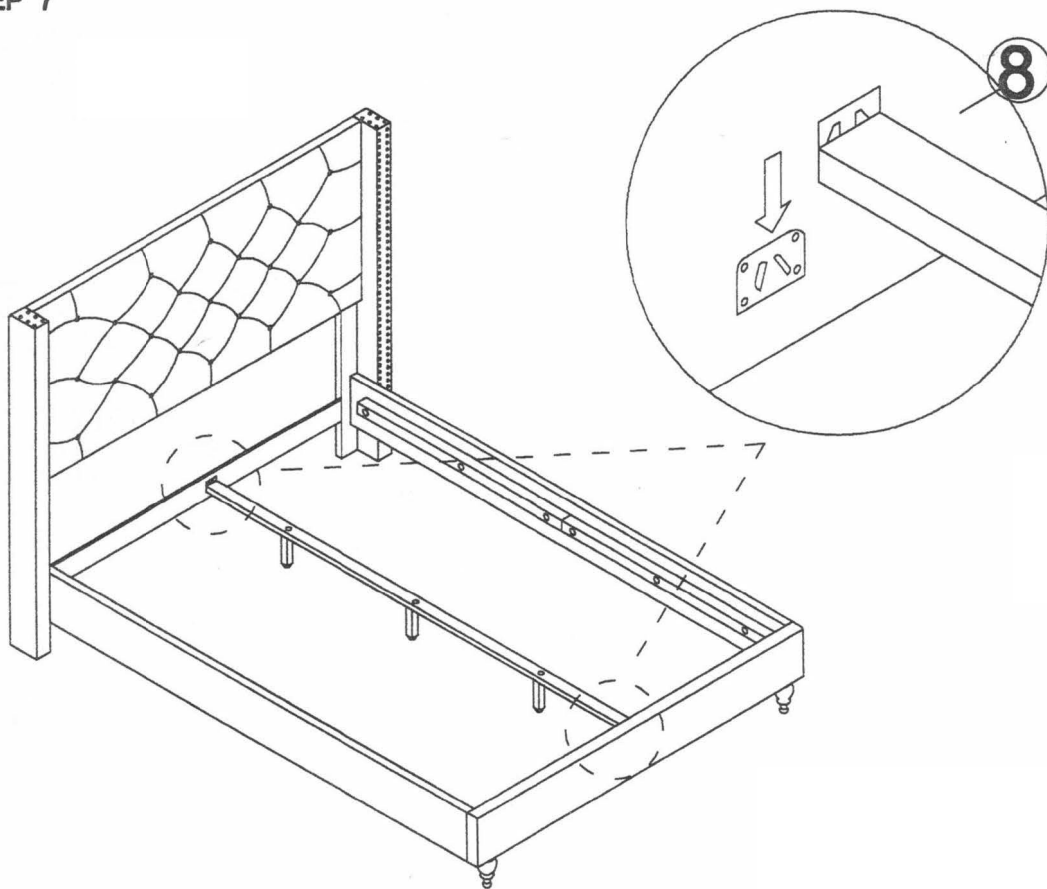
STEP 5



STEP 6



STEP 7



STEP 8

