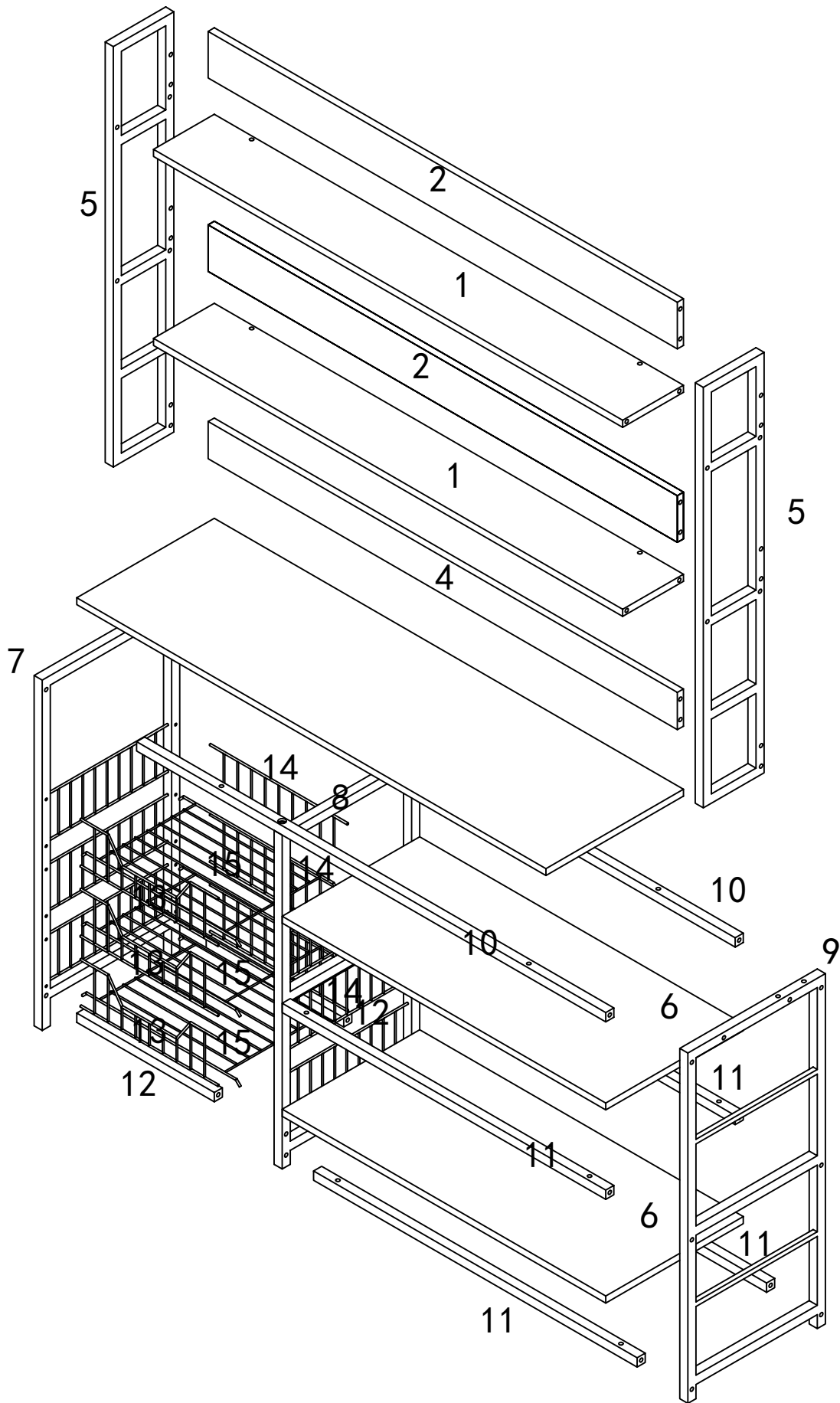
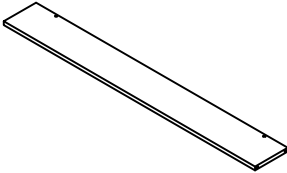
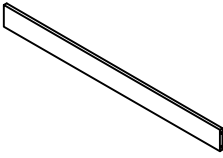
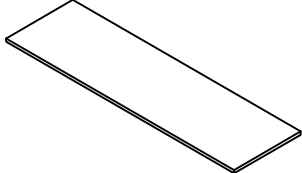
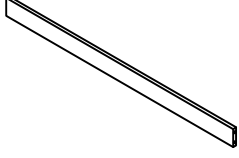

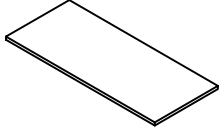
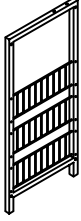
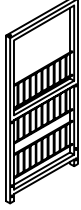
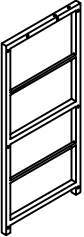
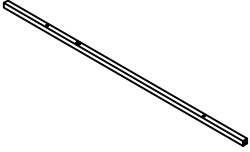
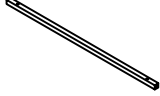
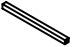
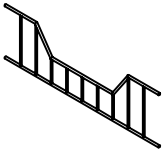
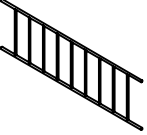
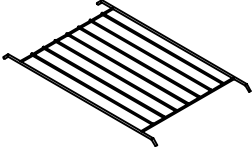
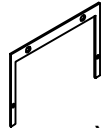
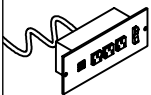








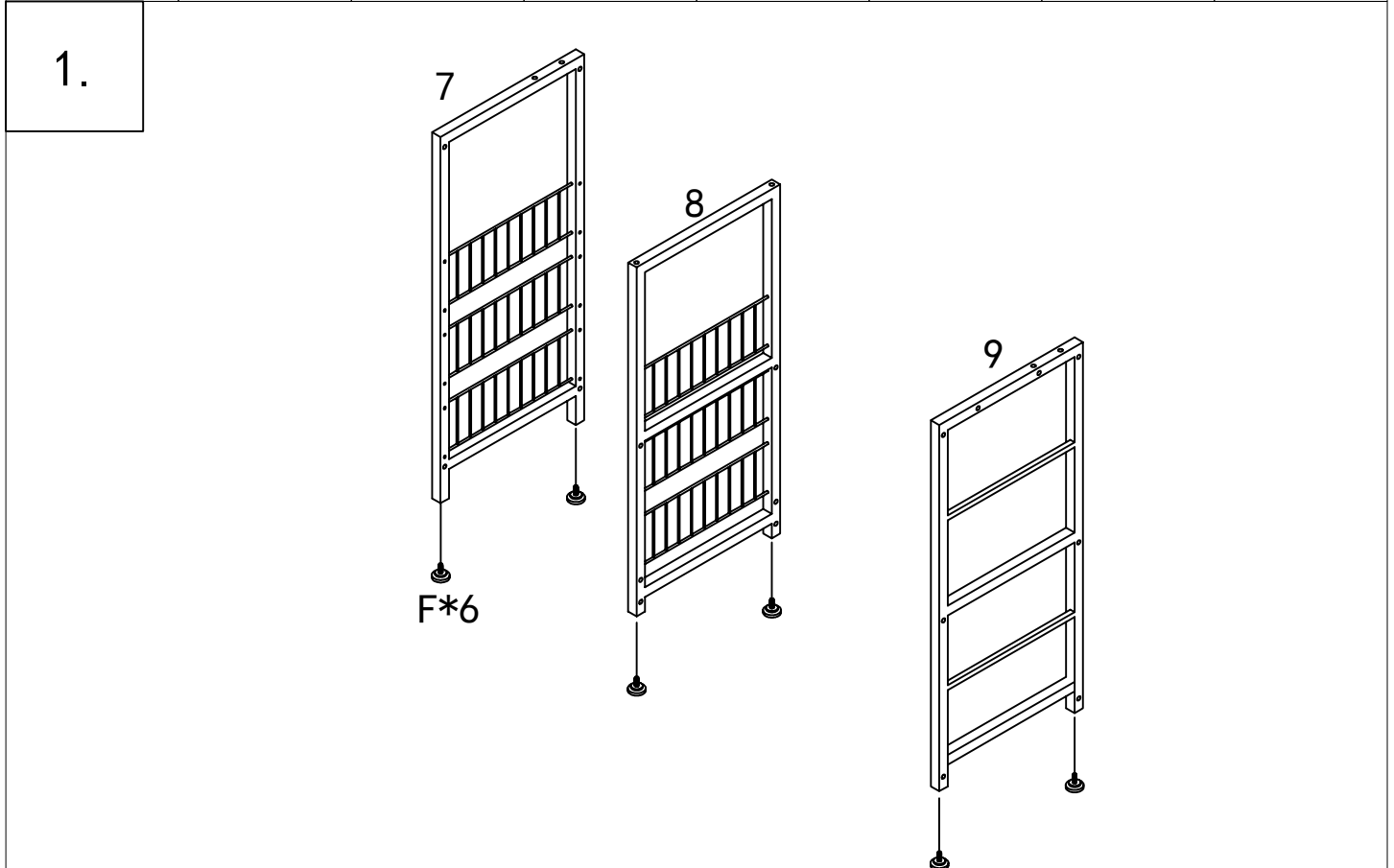


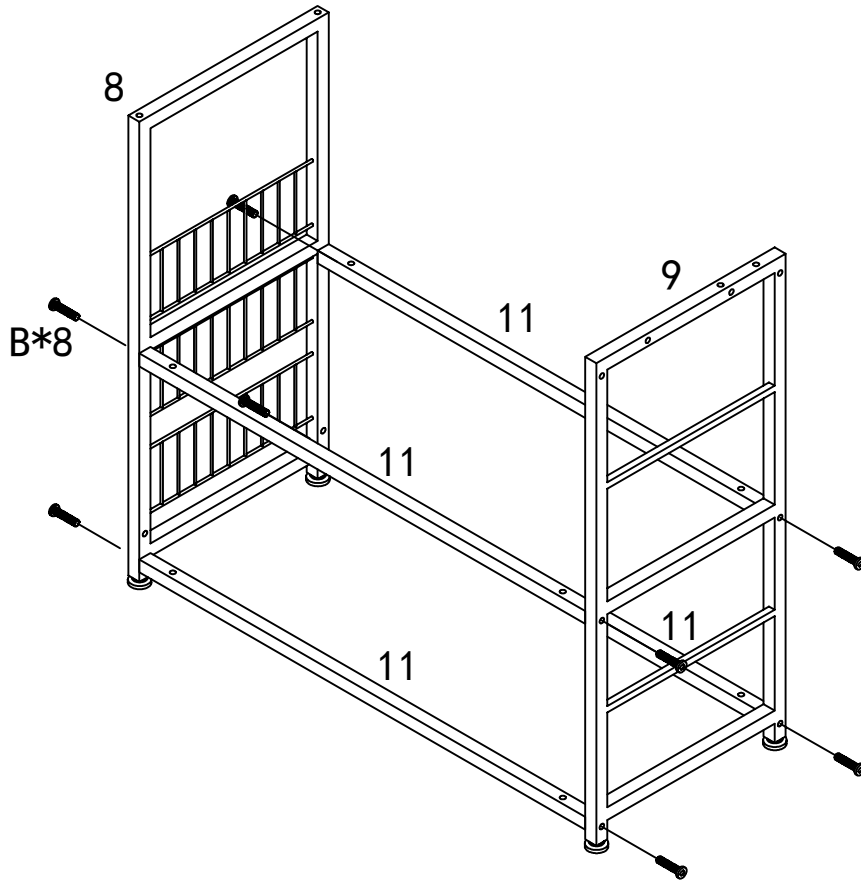
Installation & Assembly



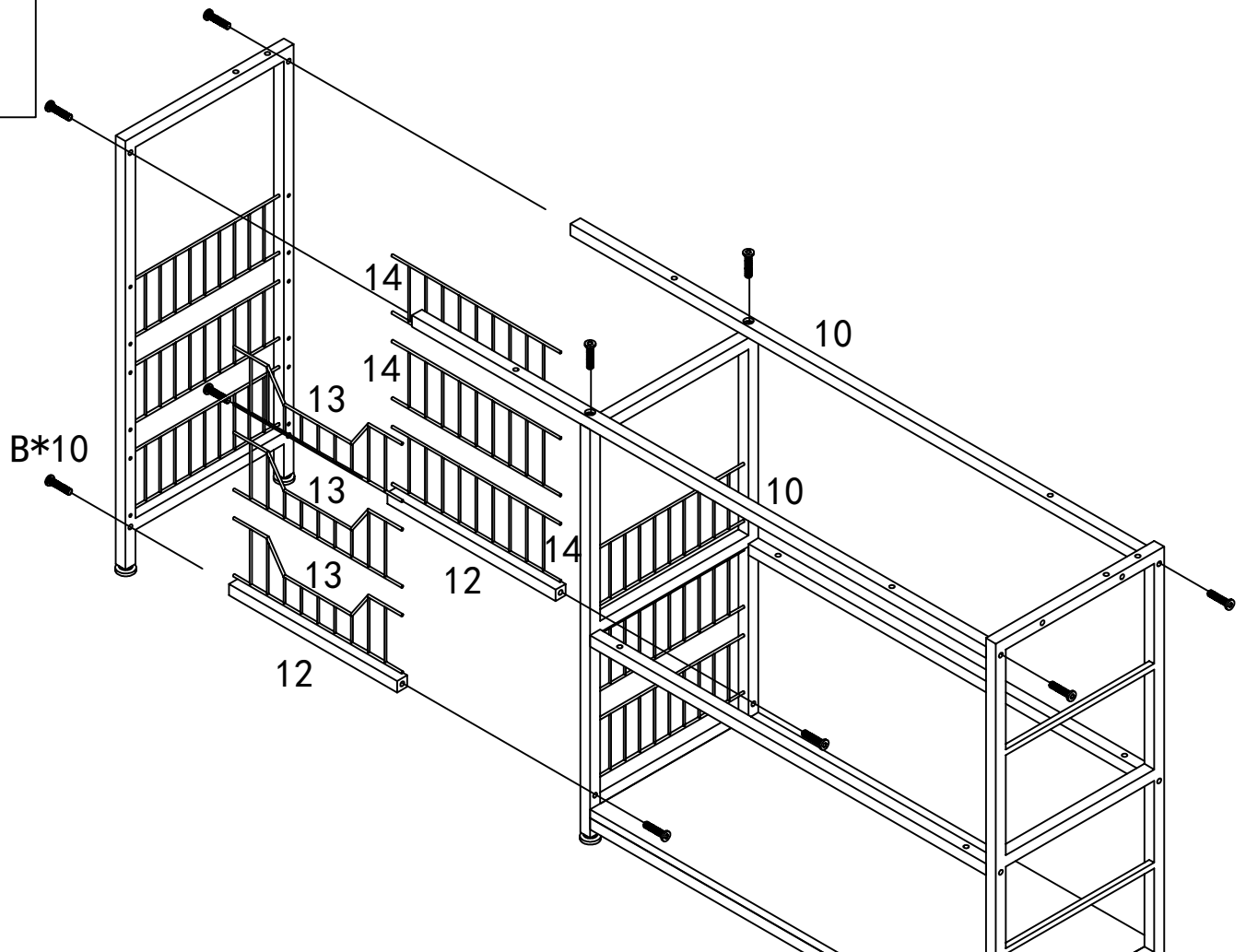
| | | | | | | | |
|---|--|--|--|--|--|--|---|
| 1  X2 | 2  X2 | 3  X1 | 4  X1 | | | | |
| 5  X2 | 6  X2 | 7  X1 | 8  X1 | | | | |
| 9  X1 | 10  X2 | 11  X4 | 12  X2 | | | | |
| 13  X3 | 14  X3 | 15  X3 | 16  X1 | 17  X1 | | | |
| A  6. 3*40 X24 | B  6*35 X22 | C  6*25 X12 | D  X1 | E  X6 | F  X6 | G  X2 | H  6*10 X2 |



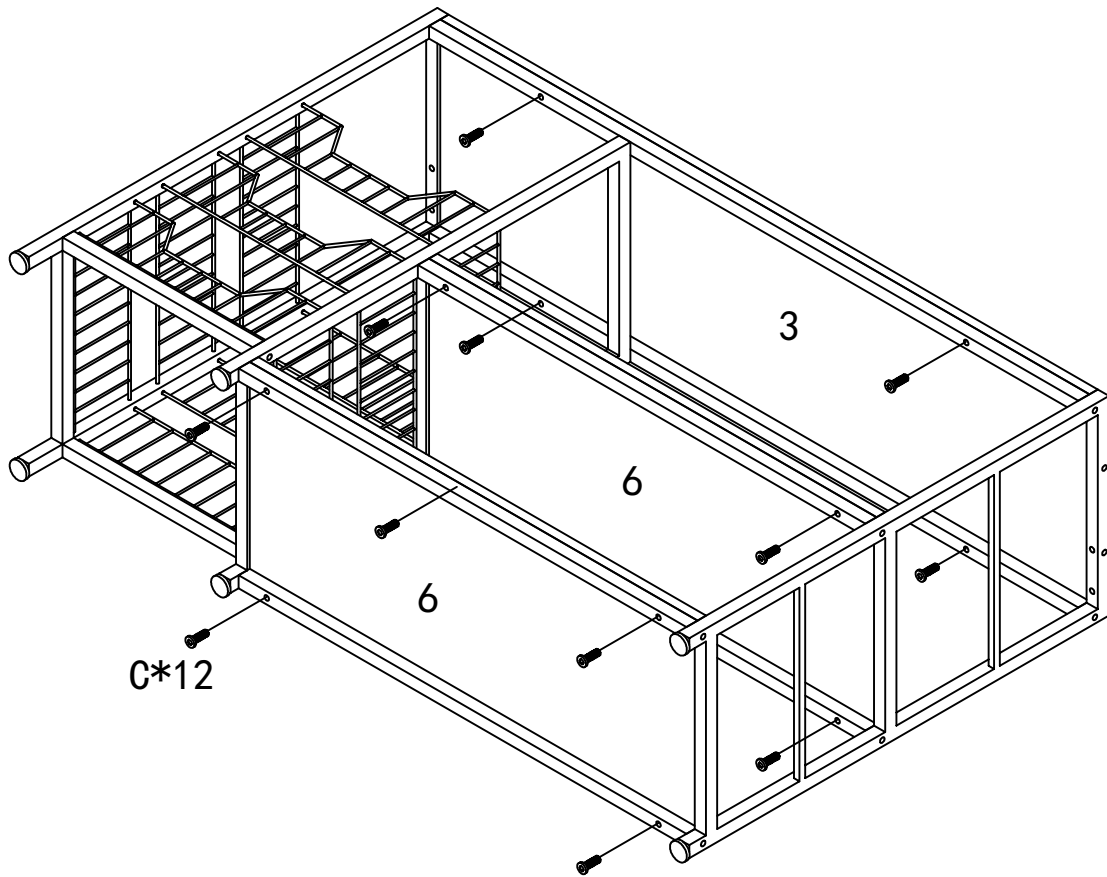
2.



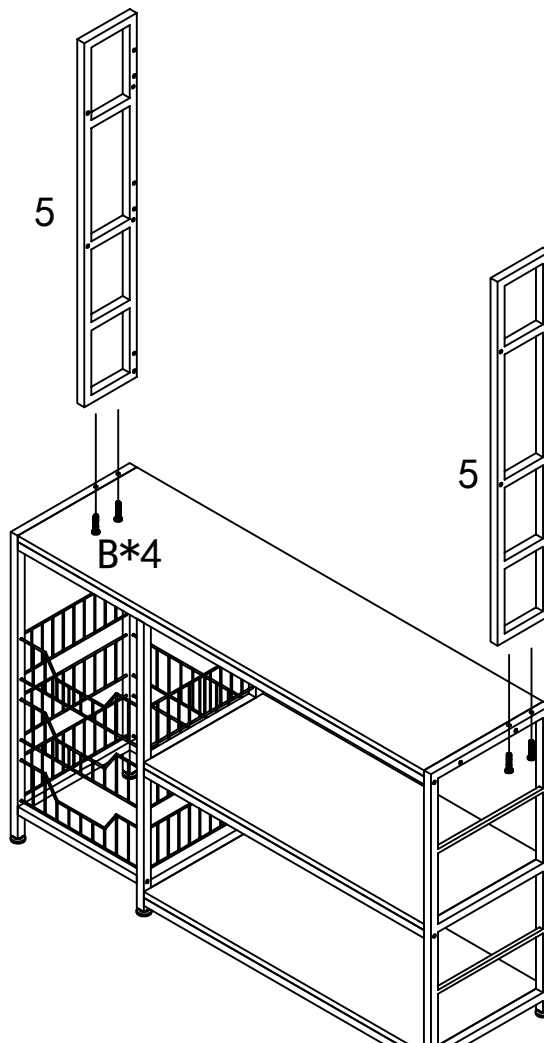
3.



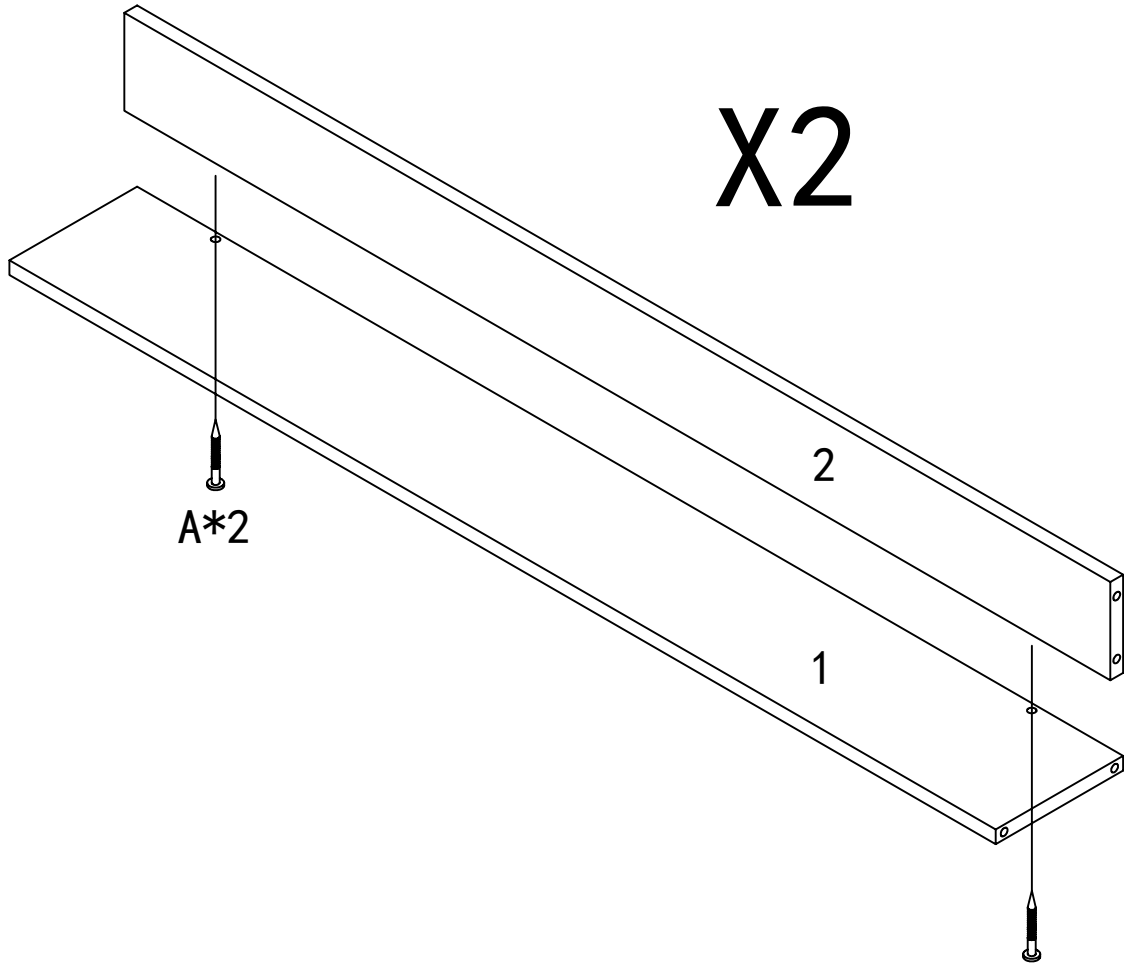
4.



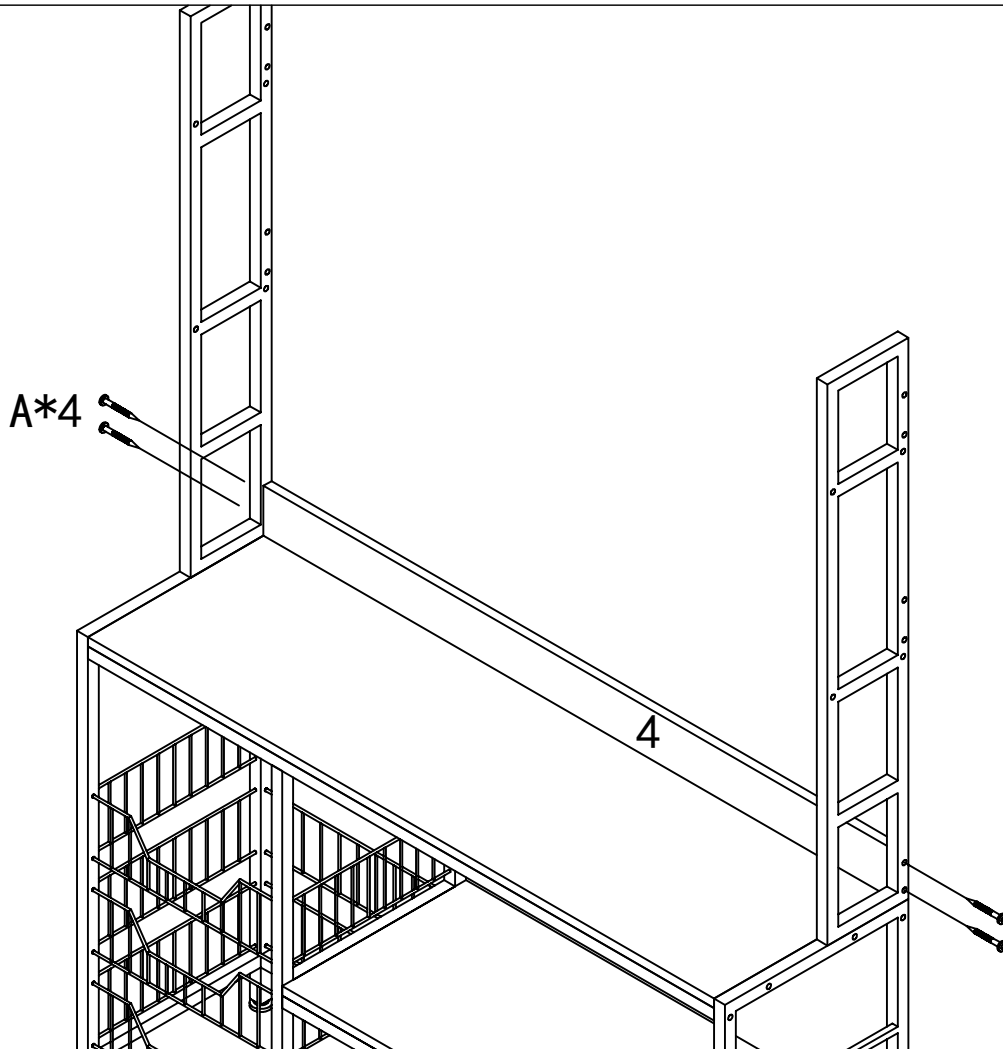
5.



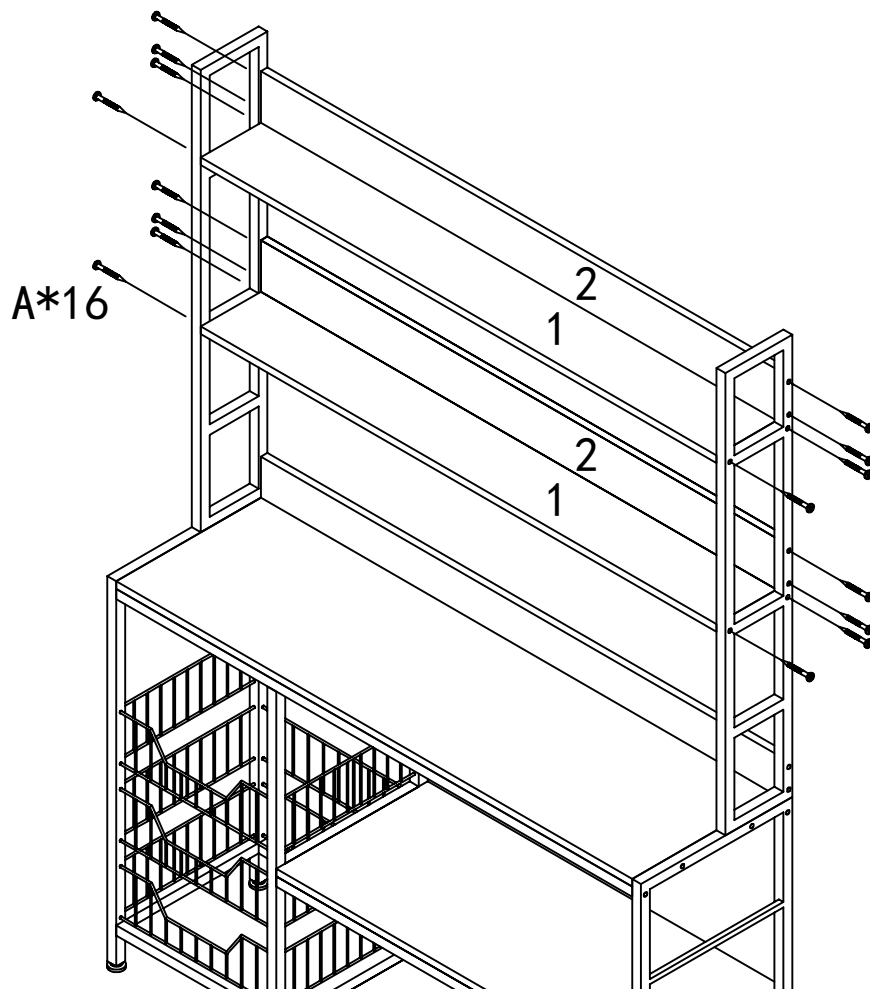
6.



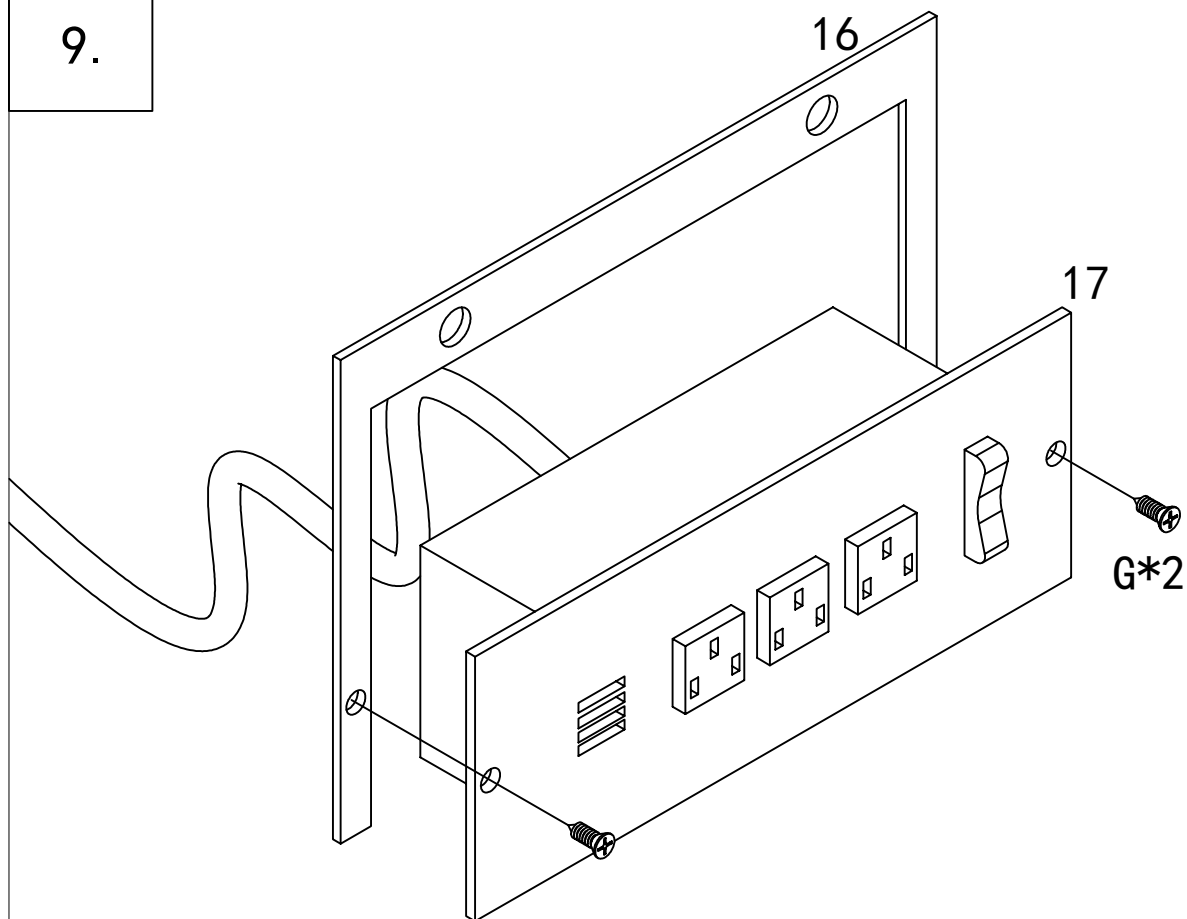
7.



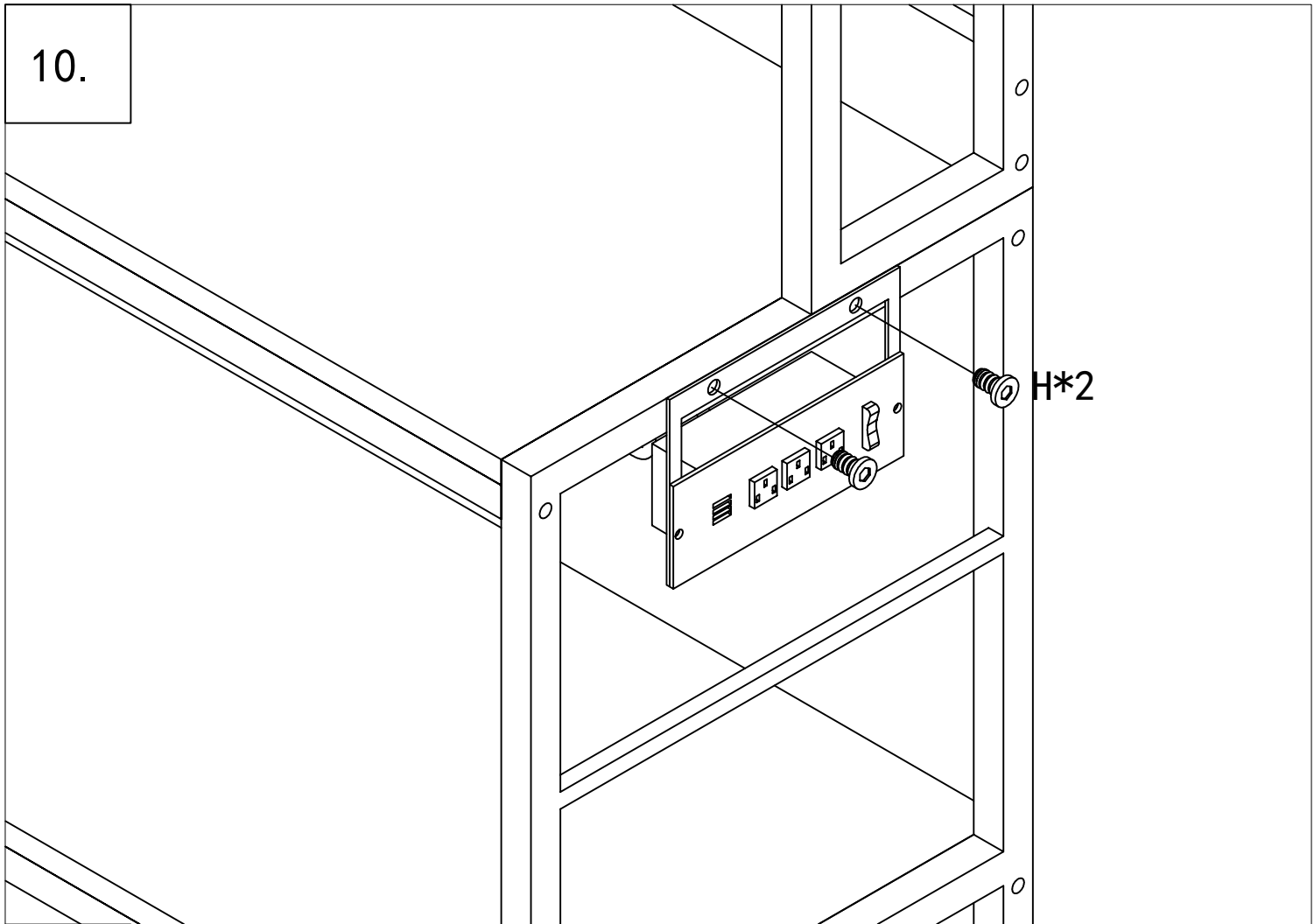
8.



9.



10.



11.

