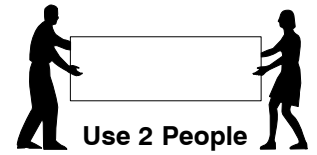
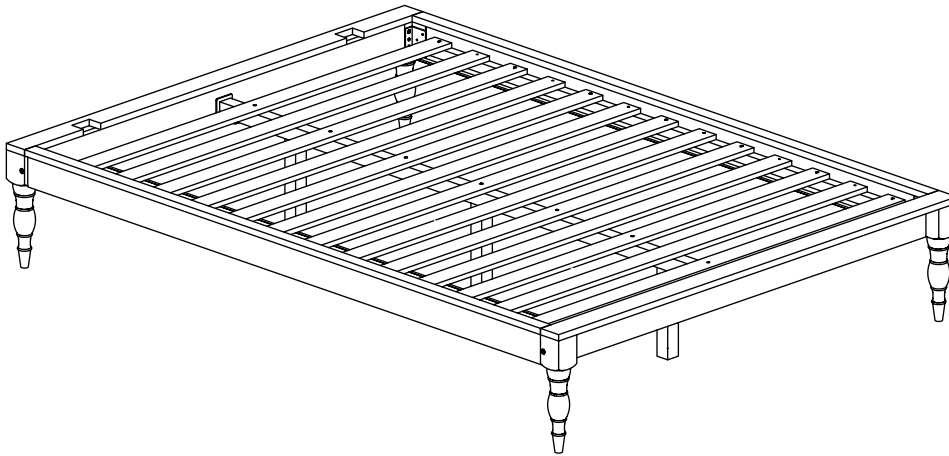


Full Bed

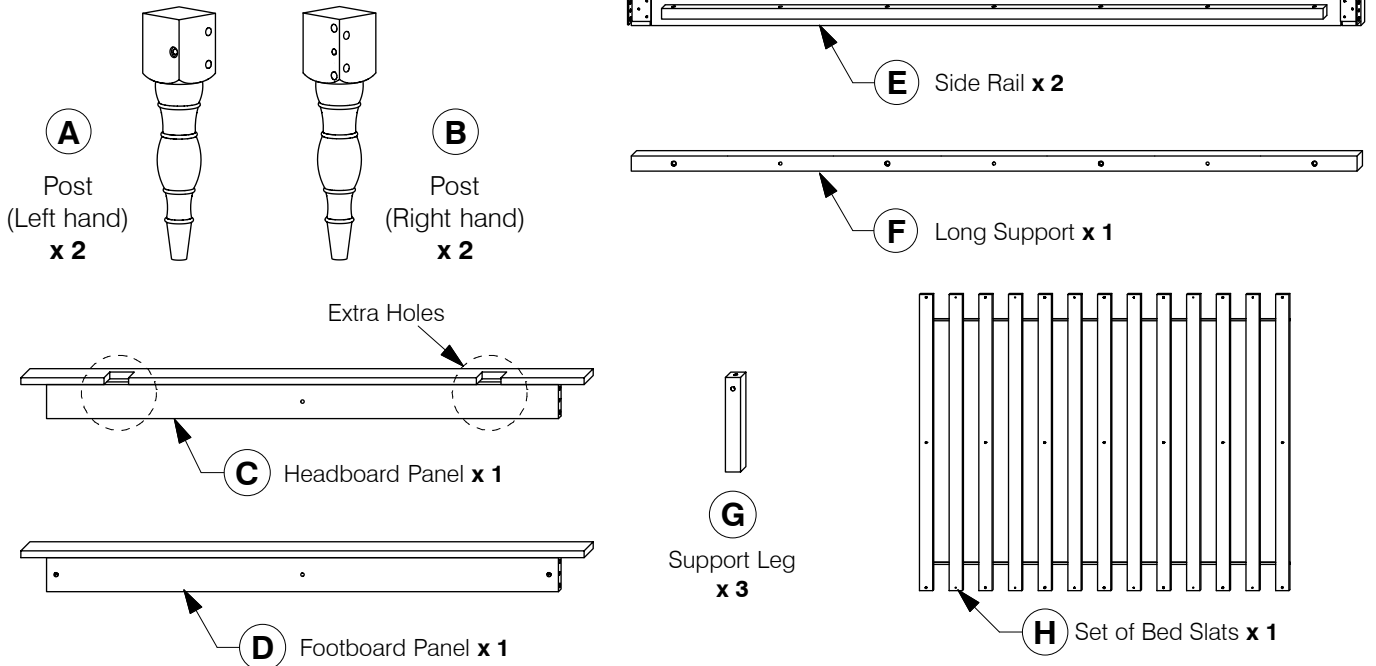
Assembly Instructions

1 Assembled View

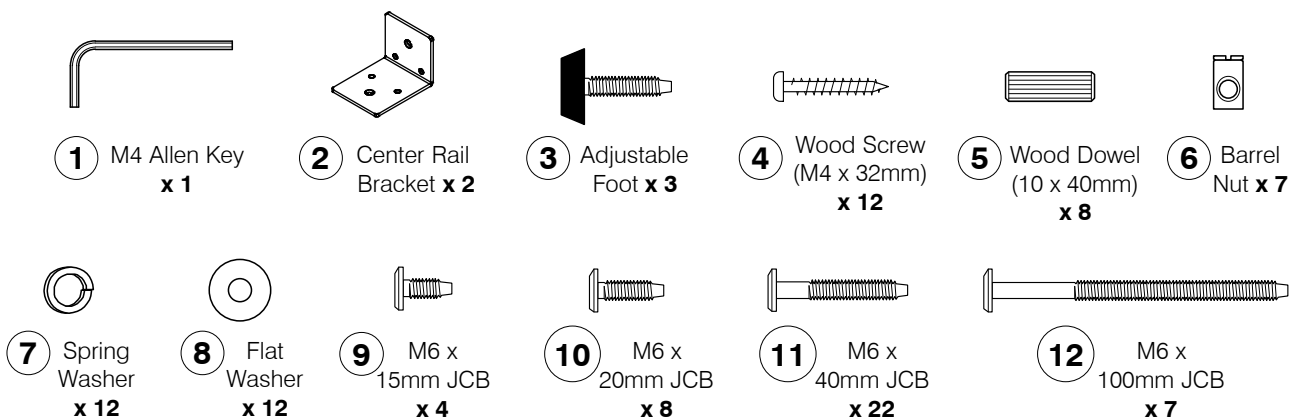


Note: Do not assemble using power tools. This can cause the bolts to be overtightened

2 Parts List



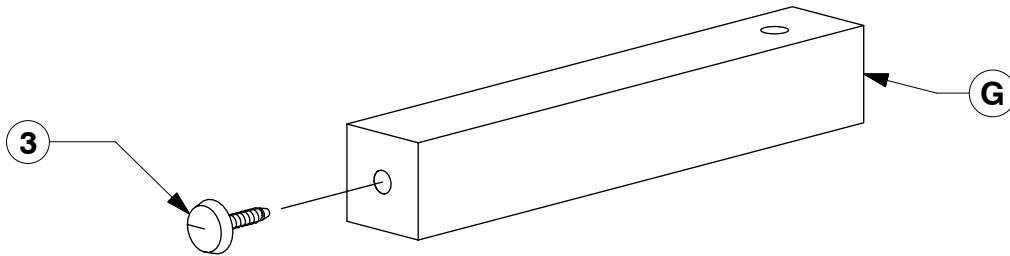
3 Hardware List



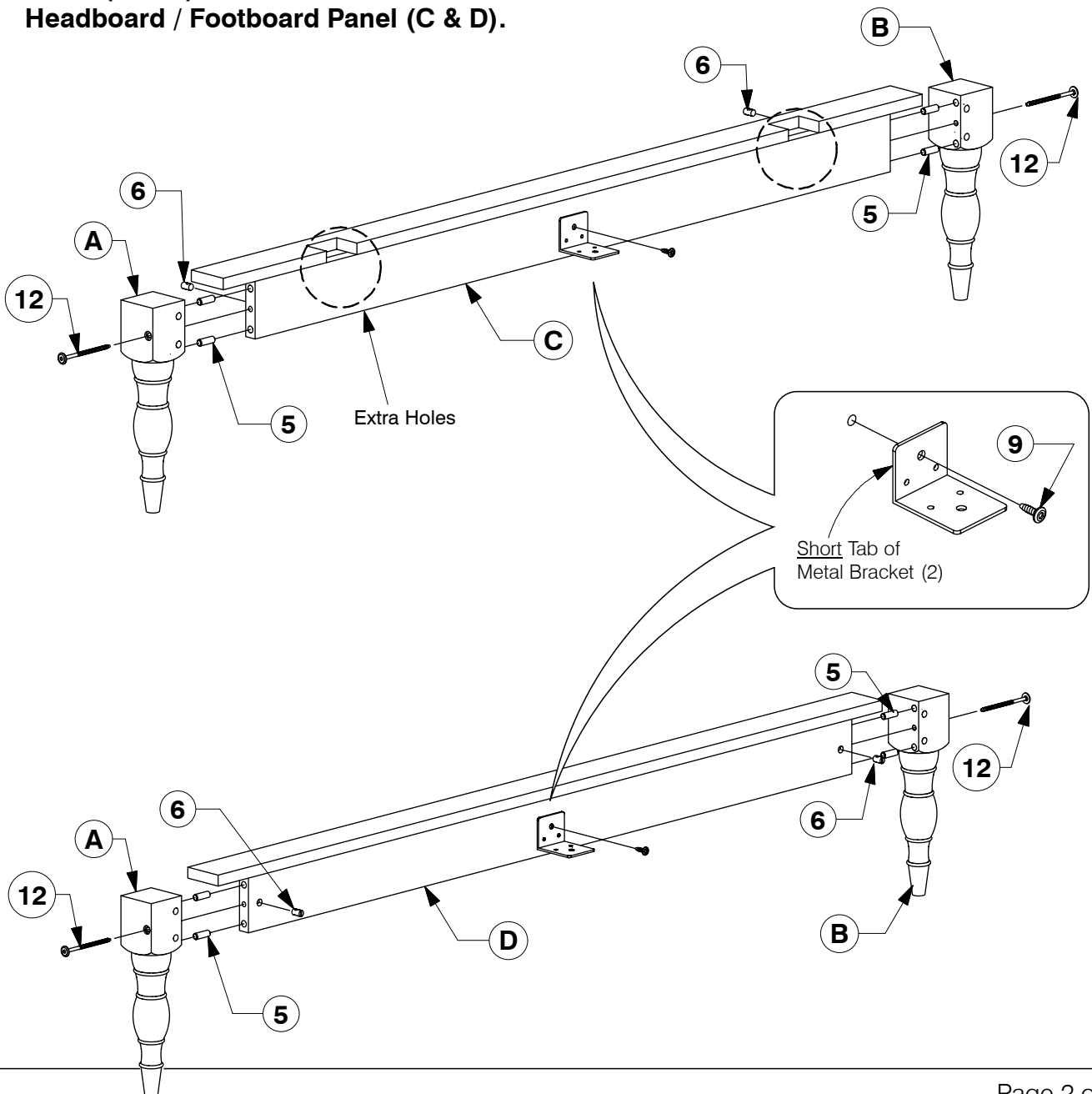
Full Bed

Assembly Instructions

- 4** Fix the Adjustable foot to the bottom of the Support Leg (G).



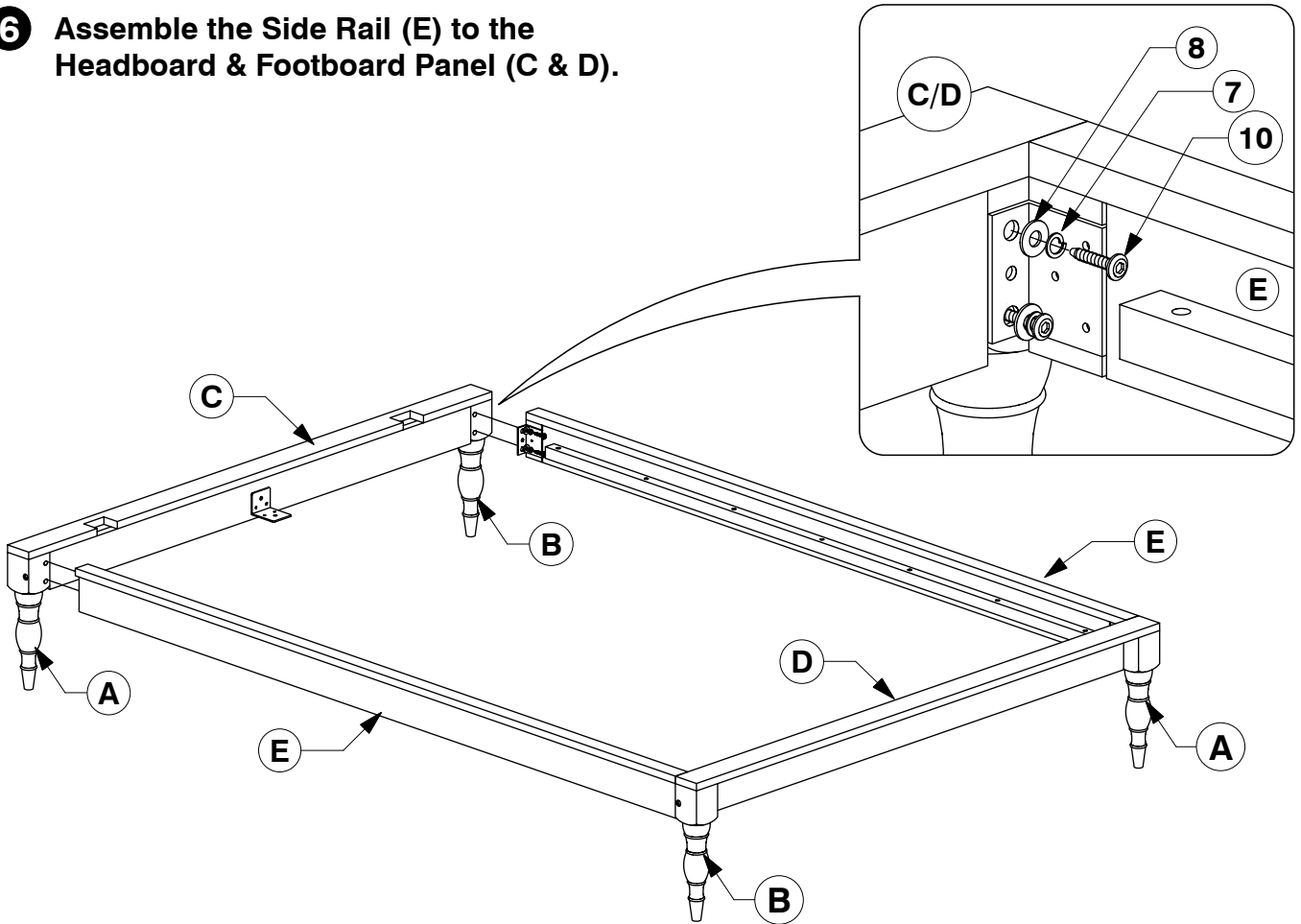
- 5** Assemble the Post (A & B) to the Headboard / Footboard Panel (C & D). Fit the Center Rail Bracket to the Headboard / Footboard Panel (C & D).



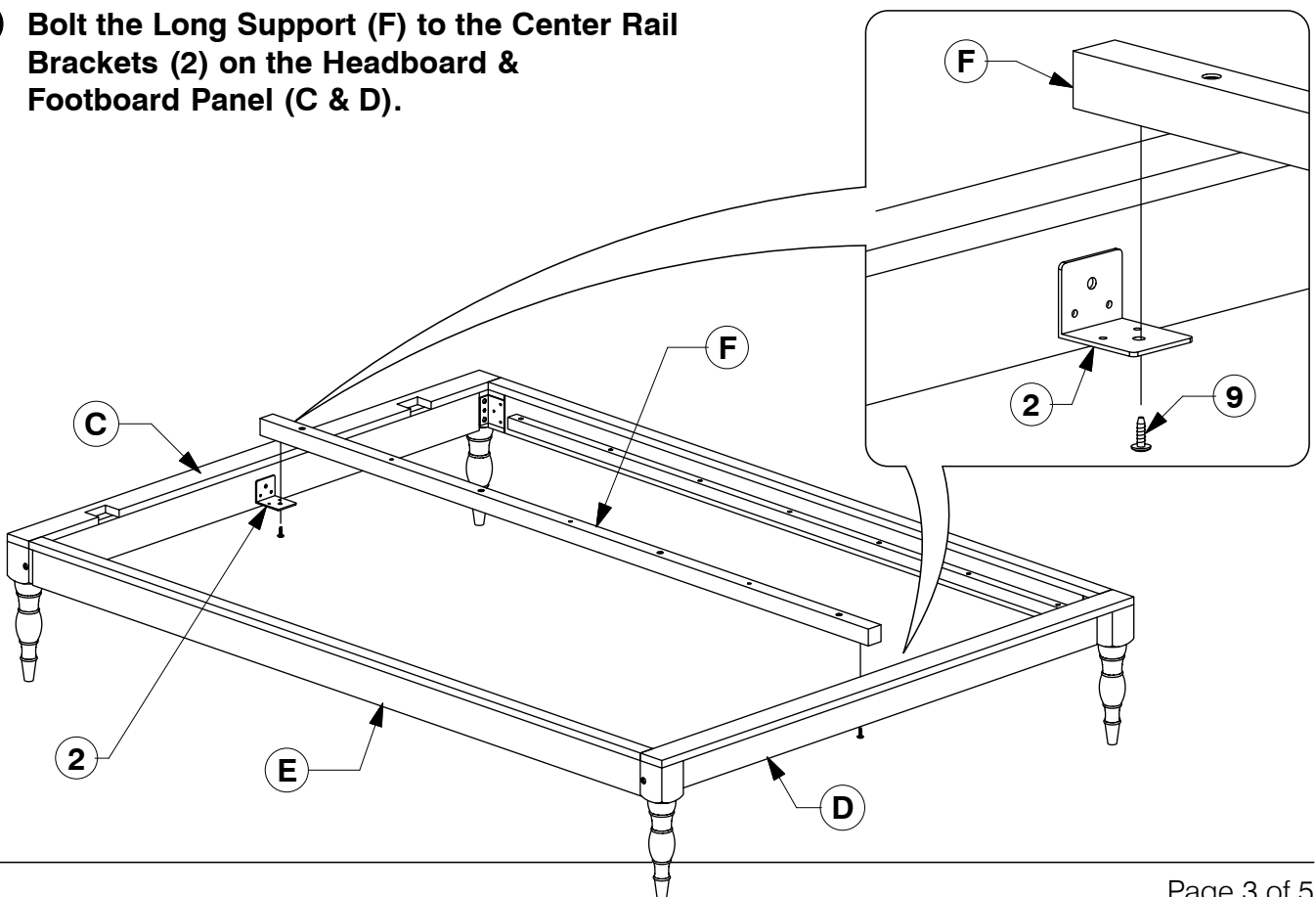
Full Bed

Assembly Instructions

- 6 Assemble the Side Rail (E) to the Headboard & Footboard Panel (C & D).**



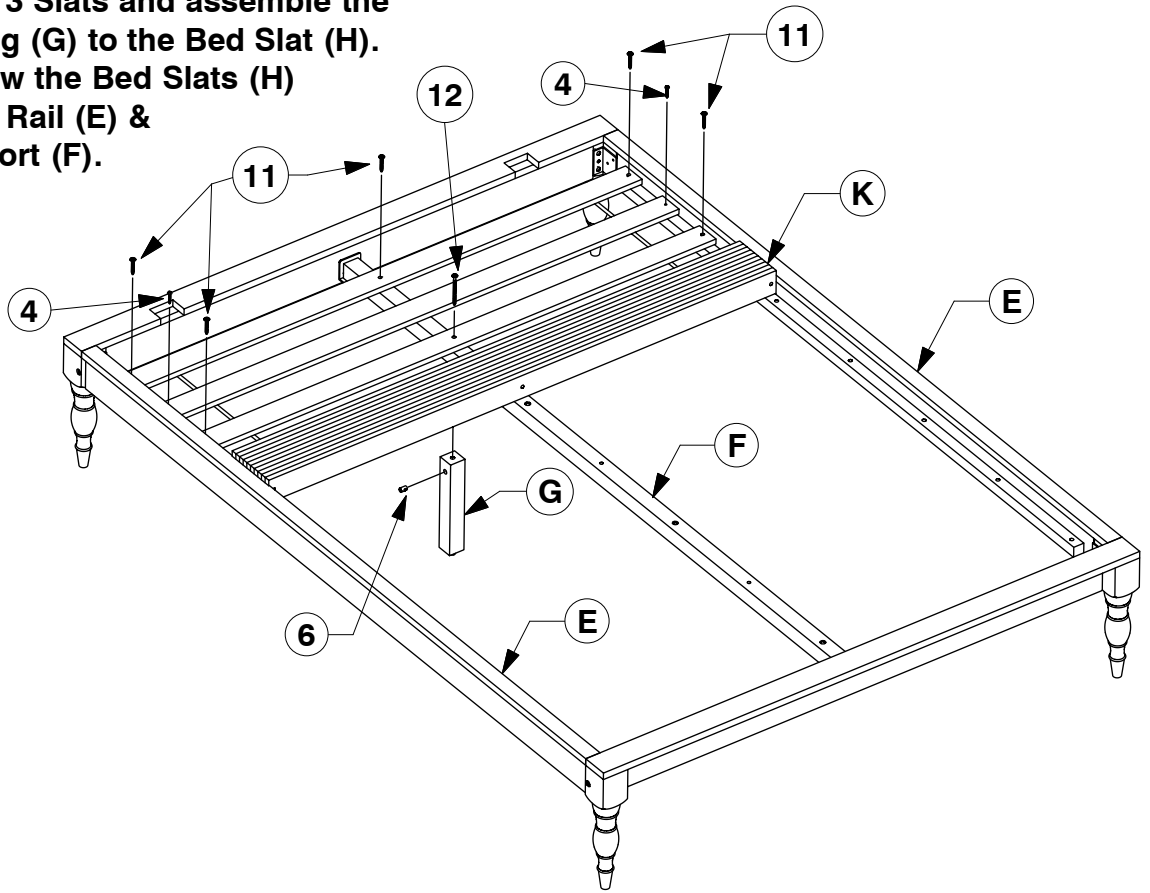
- 7 Bolt the Long Support (F) to the Center Rail Brackets (2) on the Headboard & Footboard Panel (C & D).**



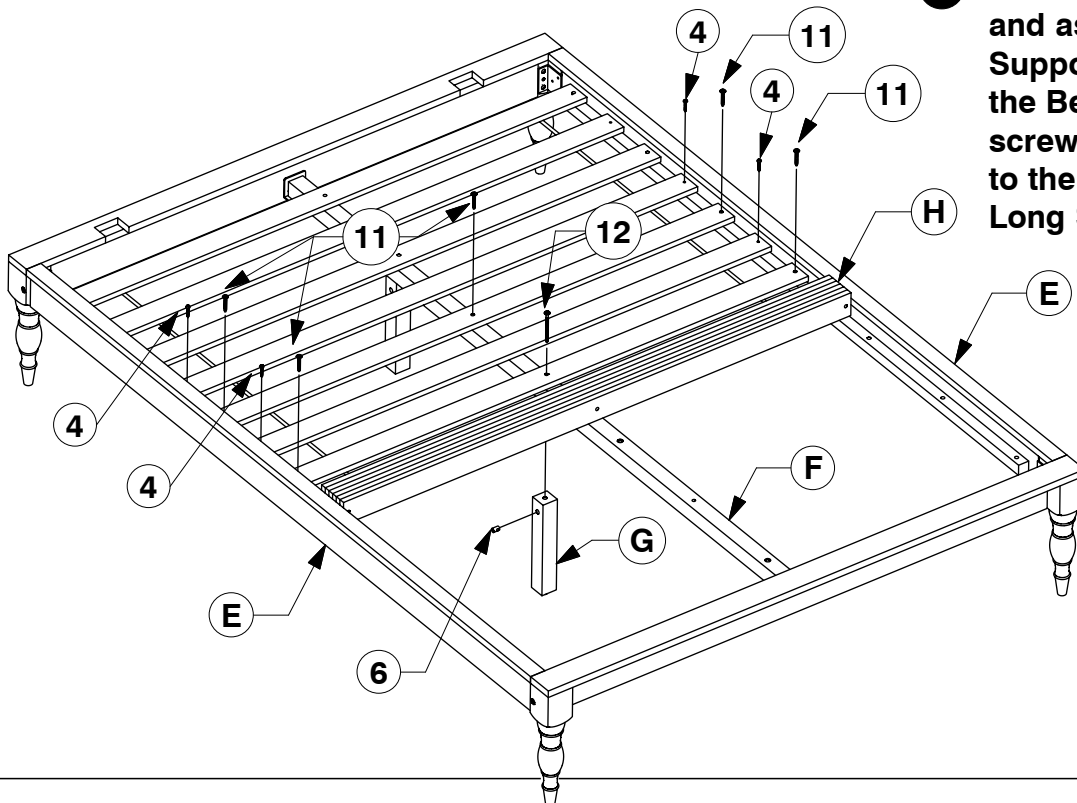
Full Bed

Assembly Instructions

- 8** Fit the first 3 Slats and assemble the Support Leg (G) to the Bed Slat (H). Bolt & screw the Bed Slats (H) to the Side Rail (E) & Long Support (F).



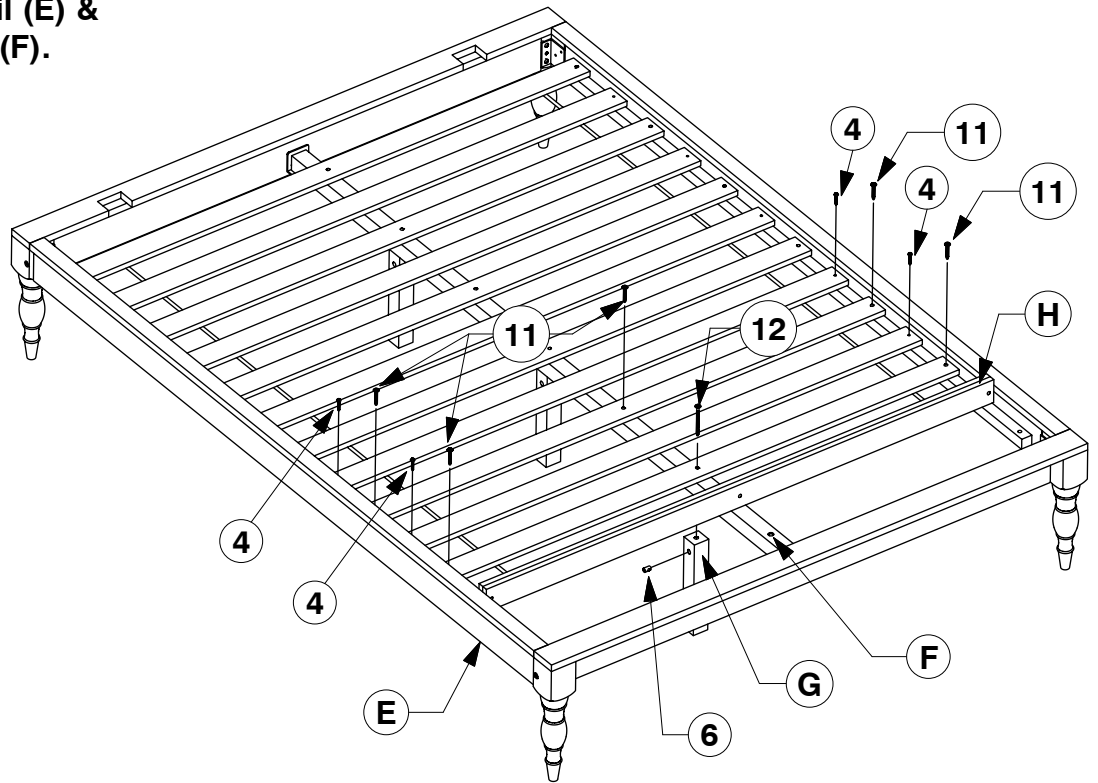
- 9** Fit the other Slats out and assemble the Support Leg (G) to the Bed Slat (H). Bolt & screw the Bed Slats (H) to the Side Rail (E) & Long Support (F).



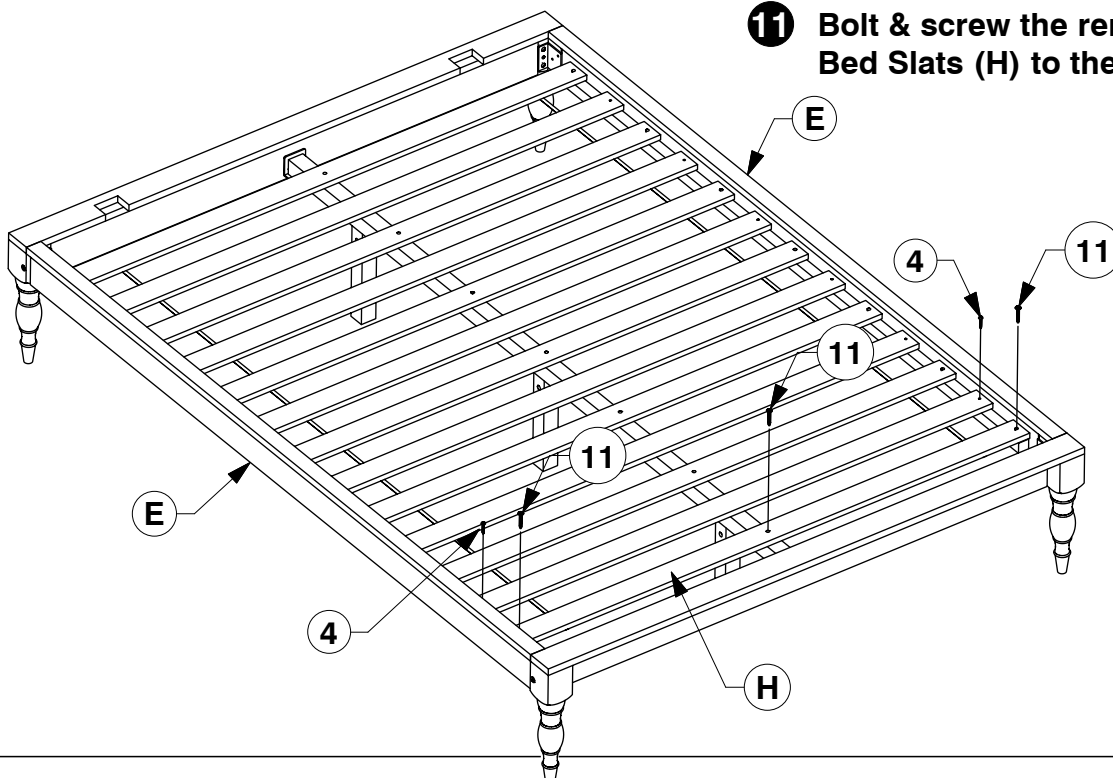
Full Bed

Assembly Instructions

- 10** Fit the other Slats out and assemble the Support Leg (G) to the Bed Slat (H). Bolt & screw the Bed Slats (H) to the Side Rail (E) & Long Support (F).



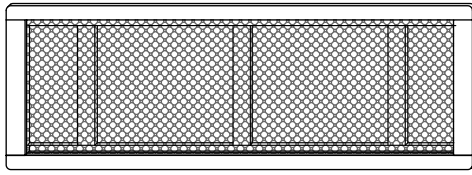
- 11** Bolt & screw the remaining Bed Slats (H) to the Side Rail (E).



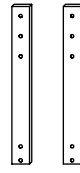
Full Headboard

Assembly Instructions

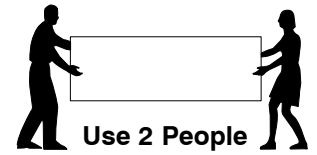
1 Parts List



A Headboard Panel x 1



B Support Bar x 2



2 Hardware List



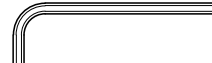
1 M6 x 35mm JCB
x 6



2 Spring Washer
x 6



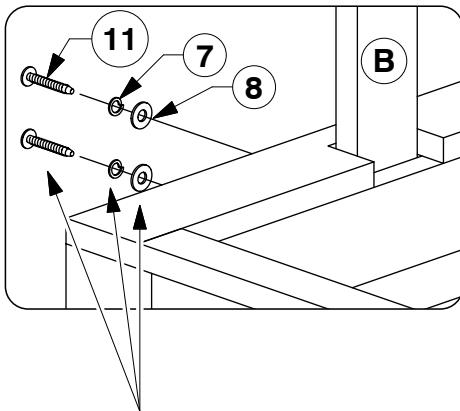
3 Flat Washer
x 6



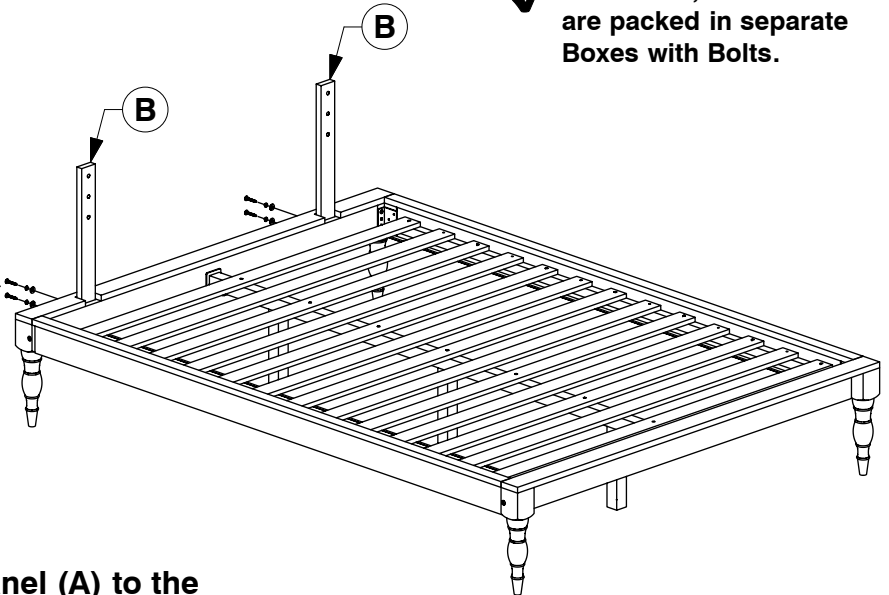
4 Allen Key
x 1

Note: Do not assemble using power tools. This can cause the bolts to be overtightened

3 Assemble the Support Bars (B) to the Headboard Panel.



Note: Bolts & Washers from Footboard, Rails & Slats Box.



✓ Footboard, Rails & Slats are packed in separate Boxes with Bolts.

4 Assemble the Headboard Panel (A) to the Support Bars (B).

