

NOTICE

- * Please make sure that you have all parts indicated and they are in good condition before you begin assembly of this item. Refer to part list and hardware list below for guidance.
- * This item should be assembled on a soft surface to prevent scratching the finish during assembly.
- * Do not fully tighten the bolts until the product is assembled.
- * This item may require periodic tightening.
- * If you are having difficulty, our friendly Customer Care team is always here to help. Please email customersupport@safavieh.com





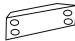


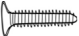

PREPARATION

- * Before beginning assembly of product, make sure all parts are present. Compare parts with part contents list and hardware contents list.
- * If any part is missing or damaged, do not attempt to assemble the product.
- * Estimated Assembly Time: 10 minutes.
- * Tools Required for Assembly (included): Allen Key

CARE AND MAINTENANCE

Leather surfaces on Safavieh Furniture should be dusted regularly with a dry or slightly damp soft cloth. Avoid using saddle soap or other cleaners. Leather desks and tabletops have a lacquer coating, therefore they can be lightly waxed. Suede surfaces should only be cleaned with a dry, stiff brush. Exposure to liquid spills should be avoided since suede cannot be washed or cleaned like leather. 100% Safavieh Bicast Leather.

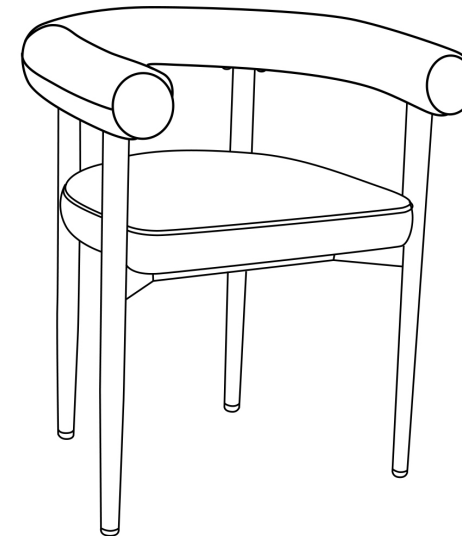
Part List and Hardware List

PIECE	DESCRIPTION	PICTURE	QUANTITY
A	BACKREST		1X
B	SEAT		1X
C	LEFT LEG		1X
D	RIGHT LEG		1X
E	RUNG		2X
HW 1	HEX BOLT:M6X50MM		4X
HW 2	HEX BOLT:M6X18MM		4X
HW 3	HEX BOLT:M4X35MM		8X
HW 4	ALLEN KEY		1X

SAFAVIEH FURNITURE

Model# DCH7503

Product Dimensions:27"Wx23.5"Dx27.9"H



Weight capacity- 275LBS

WARNING: Do not stand on the Chair.

WARNING: Do not over touque bolts.

PREPARATION

* Before beginning assembly of product, make sure all parts are present. Compare parts with part contents list and hardware contents list.

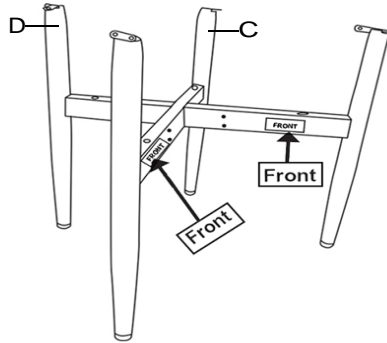
* If any part is missing or damaged, do not attempt to assemble the product.

* Estimated Assembly Time: 10 minutes.

* Tools Required for Assembly (included): Allen Key

* If you are having difficulty, our friendly Customer Care team is always here to help. Please email customersupport@safavieh.com

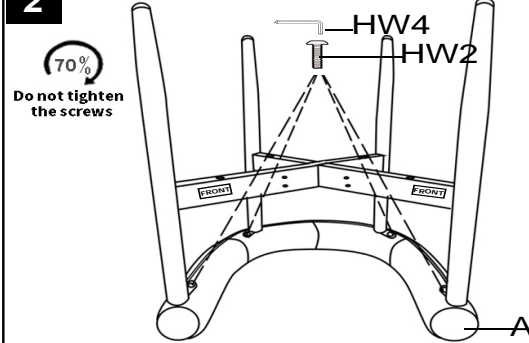
1



Step 1

Connect the left leg(C)and the right leg (D), pay attention to the front and back.

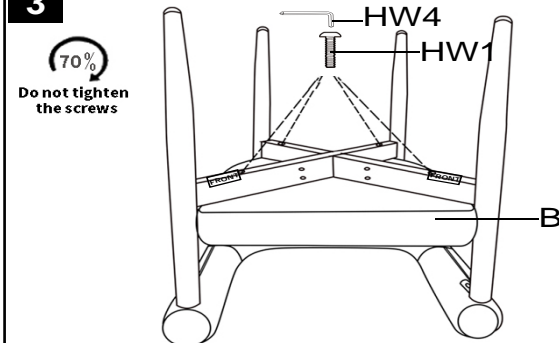
2



Step 2

Using the Allen key(HW4)attach the backrest(A) and the legs(C&D) with four screws(HW2).

3

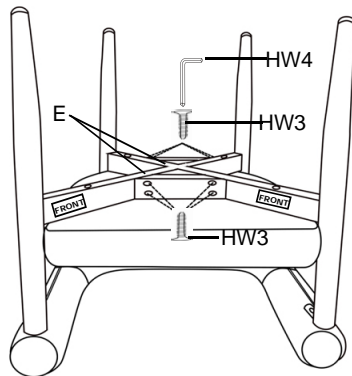


Step3

Connect the seat(B) to the legs(C&D) with screws (HW1)using Allen key(HW4).

4

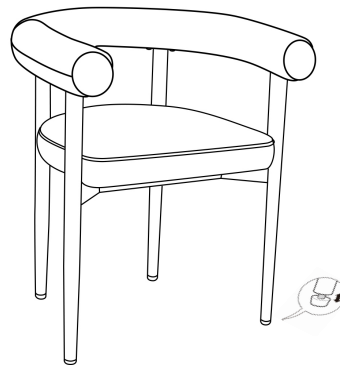
100%
Tighten all screws



Step 4

Using Allen key(HW4) add the rung(E) to the legs(C&D)with the screws(HW3).

5



Step 5

Assembly completed.