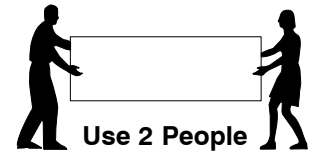
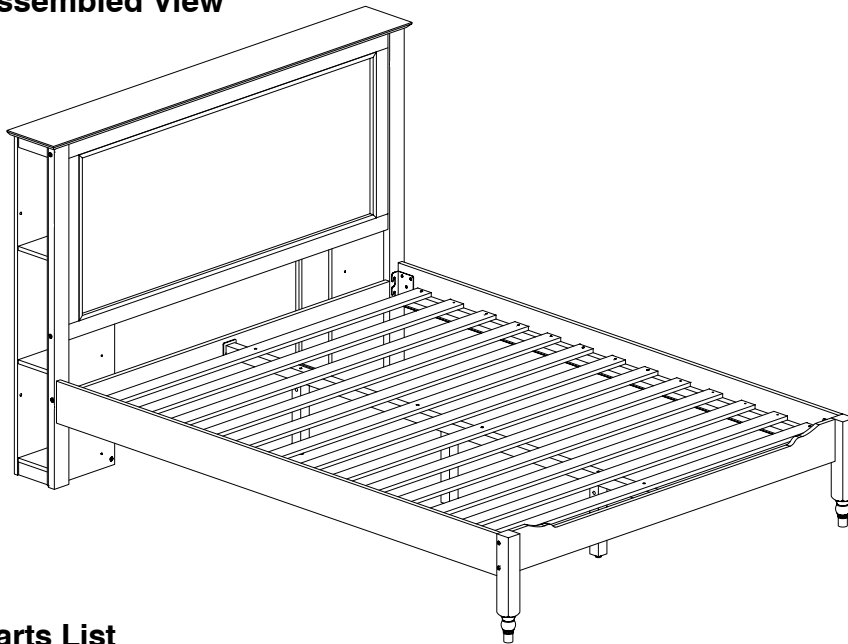


Queen Bed

Assembly Instructions

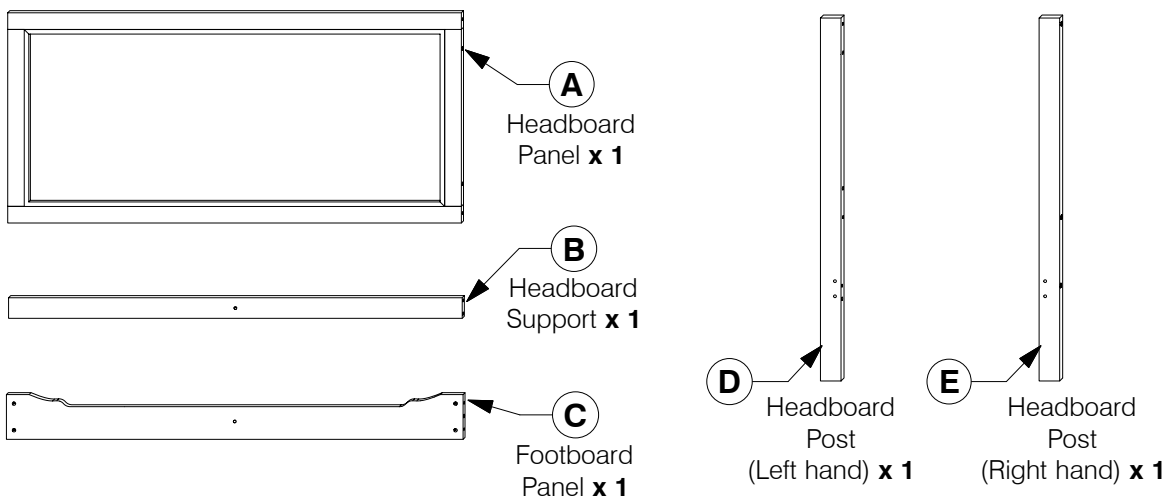
1 Assembled View



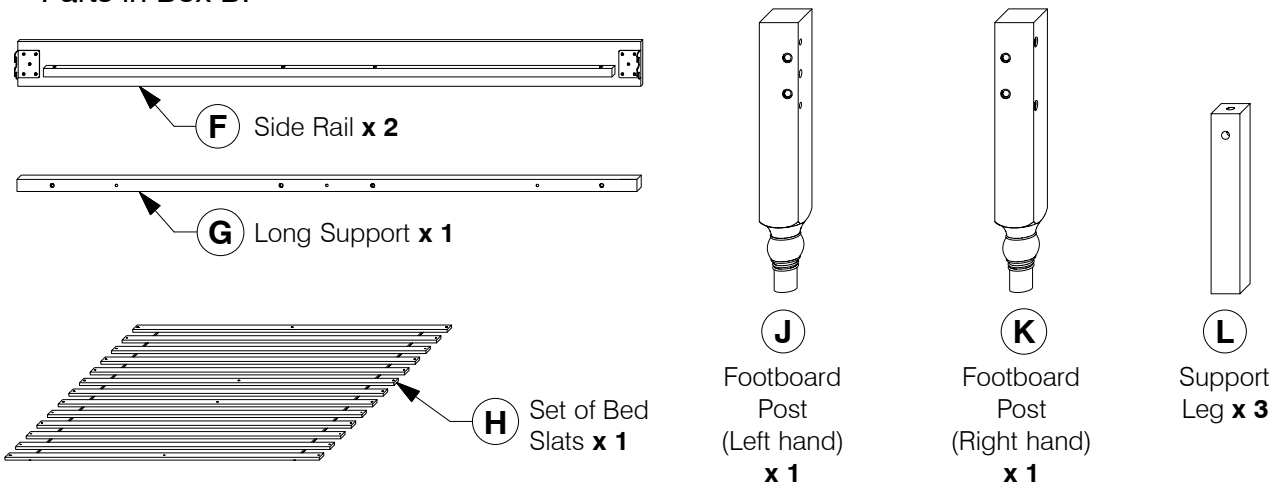
Note: Do not assemble using power tools. This can cause the bolts to be overtightened

2 Parts List

Parts in Box A:



Parts in Box B:

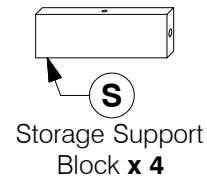
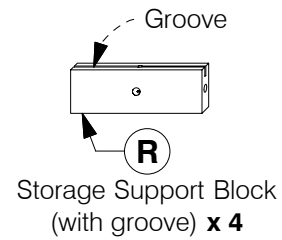
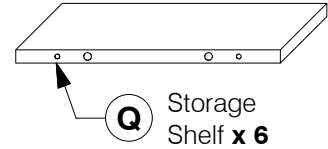
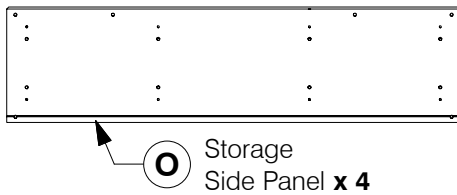
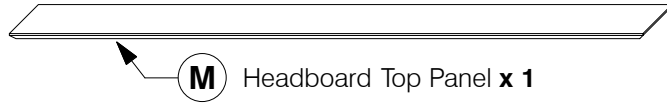


Queen Bed

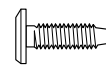
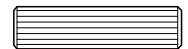
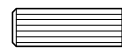
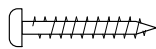
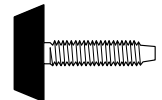
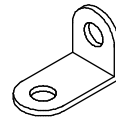
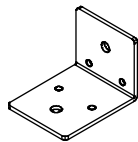
Assembly Instructions

2 Parts List

Parts in Box C:



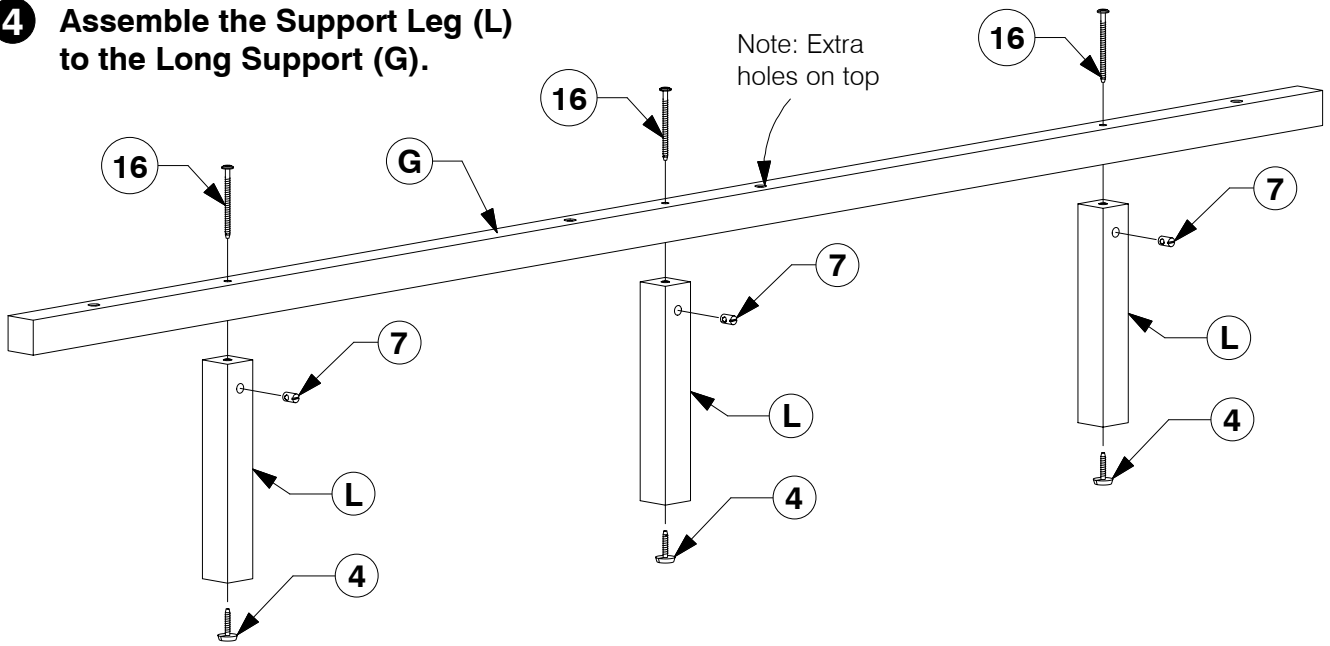
3 Hardware List



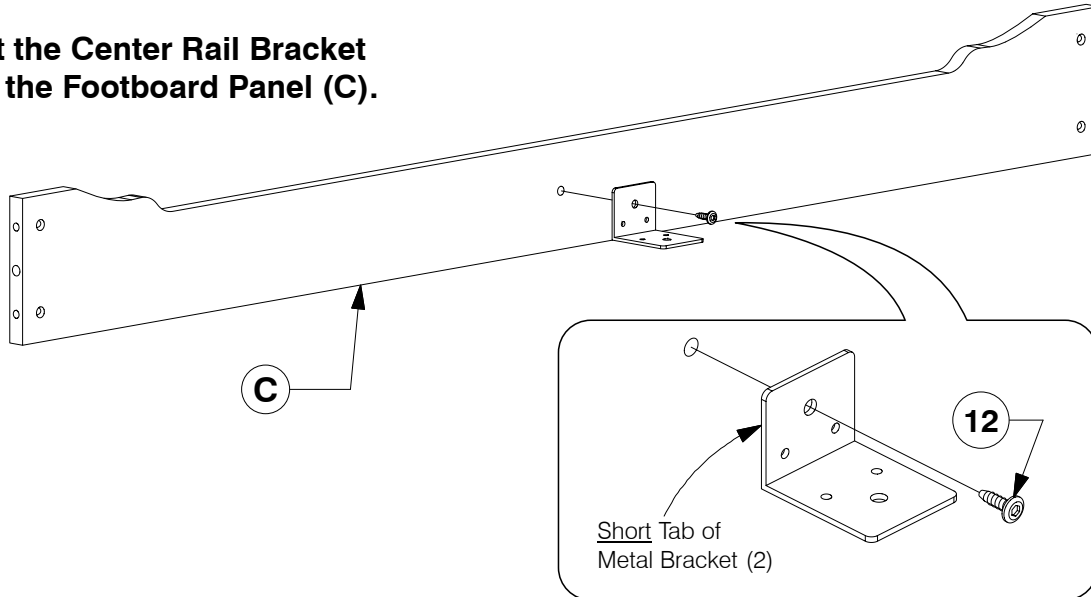
Queen Bed

Assembly Instructions

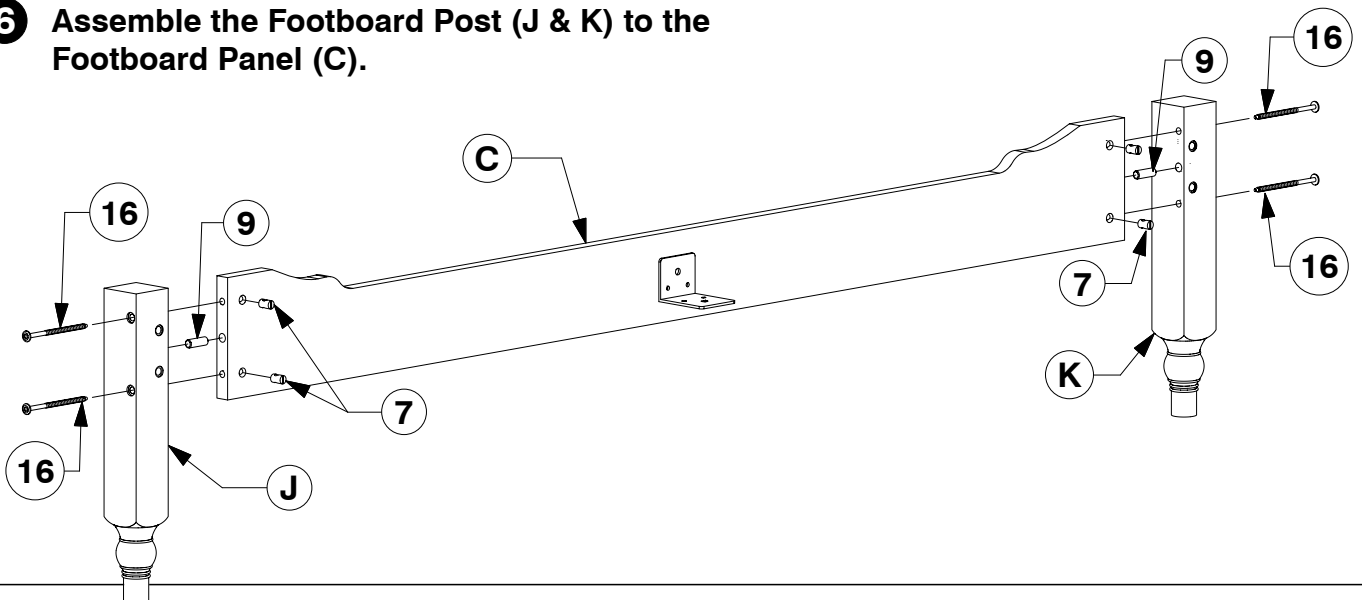
4 Assemble the Support Leg (L) to the Long Support (G).



5 Fit the Center Rail Bracket to the Footboard Panel (C).



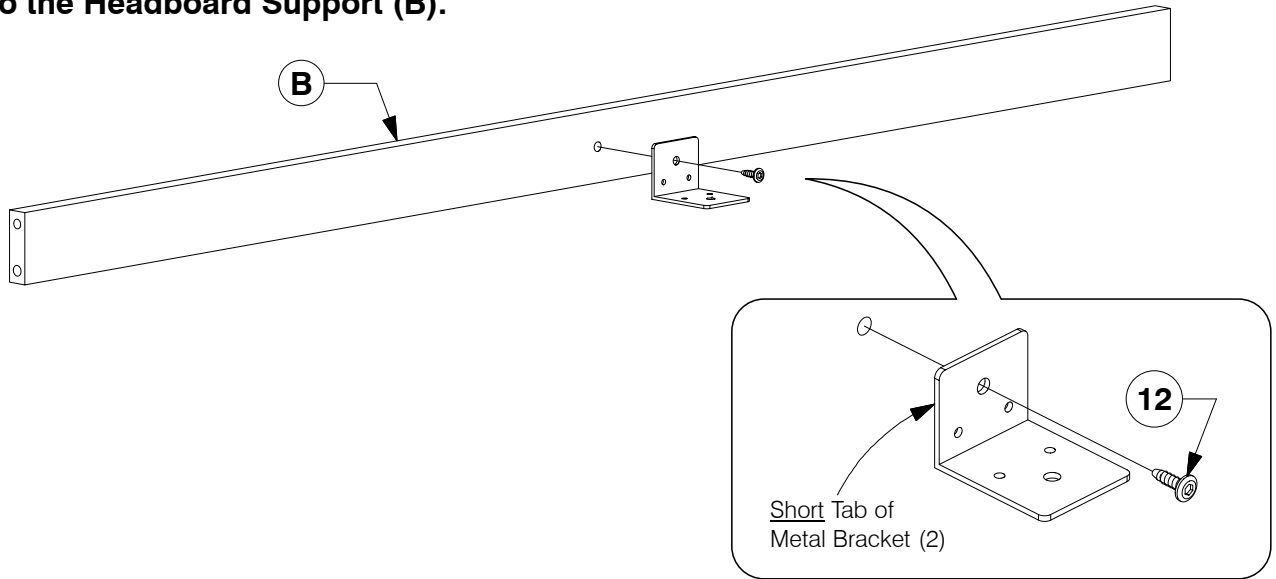
6 Assemble the Footboard Post (J & K) to the Footboard Panel (C).



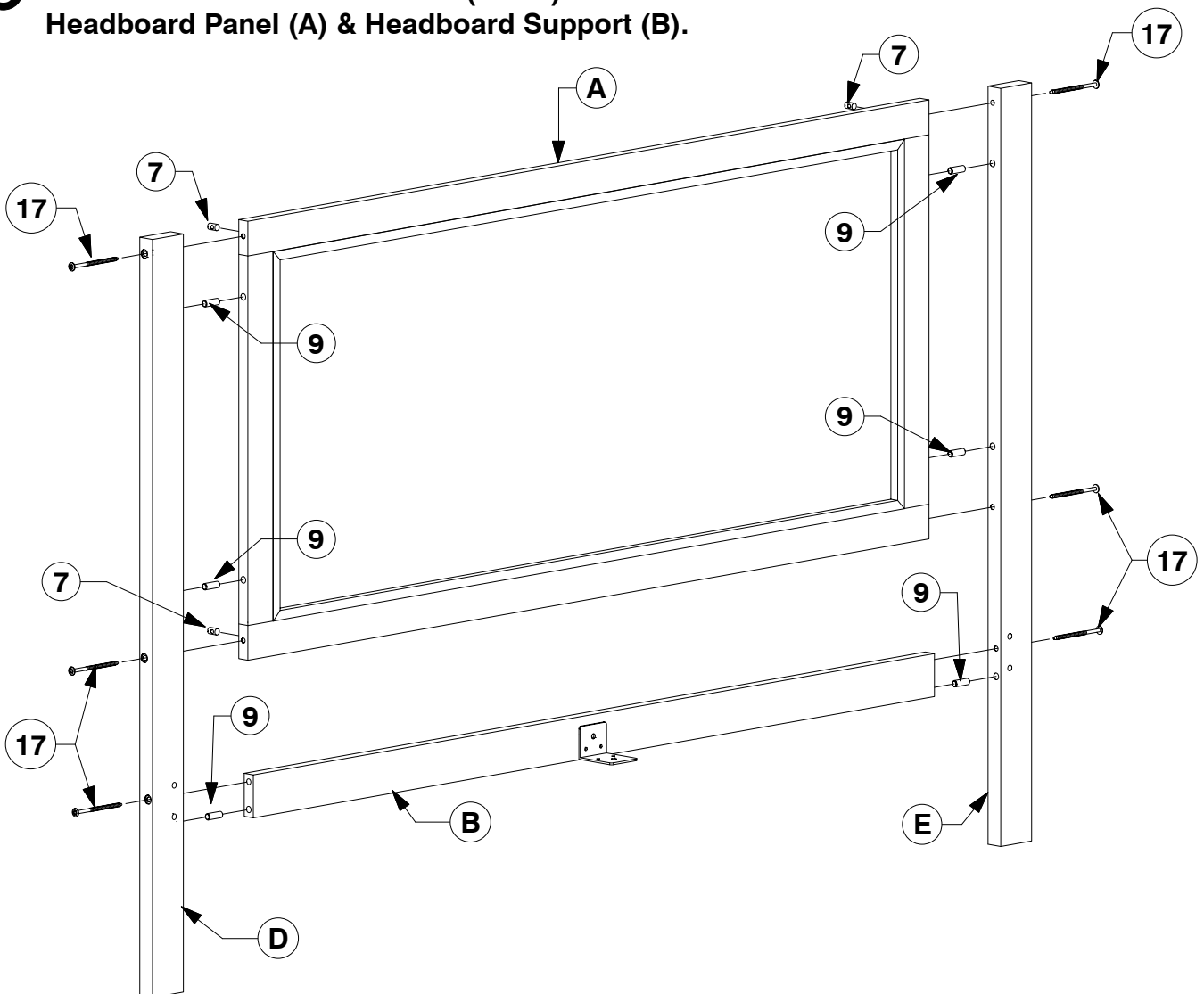
Queen Bed

Assembly Instructions

- 7** Fit the Center Rail Bracket to the Headboard Support (B).



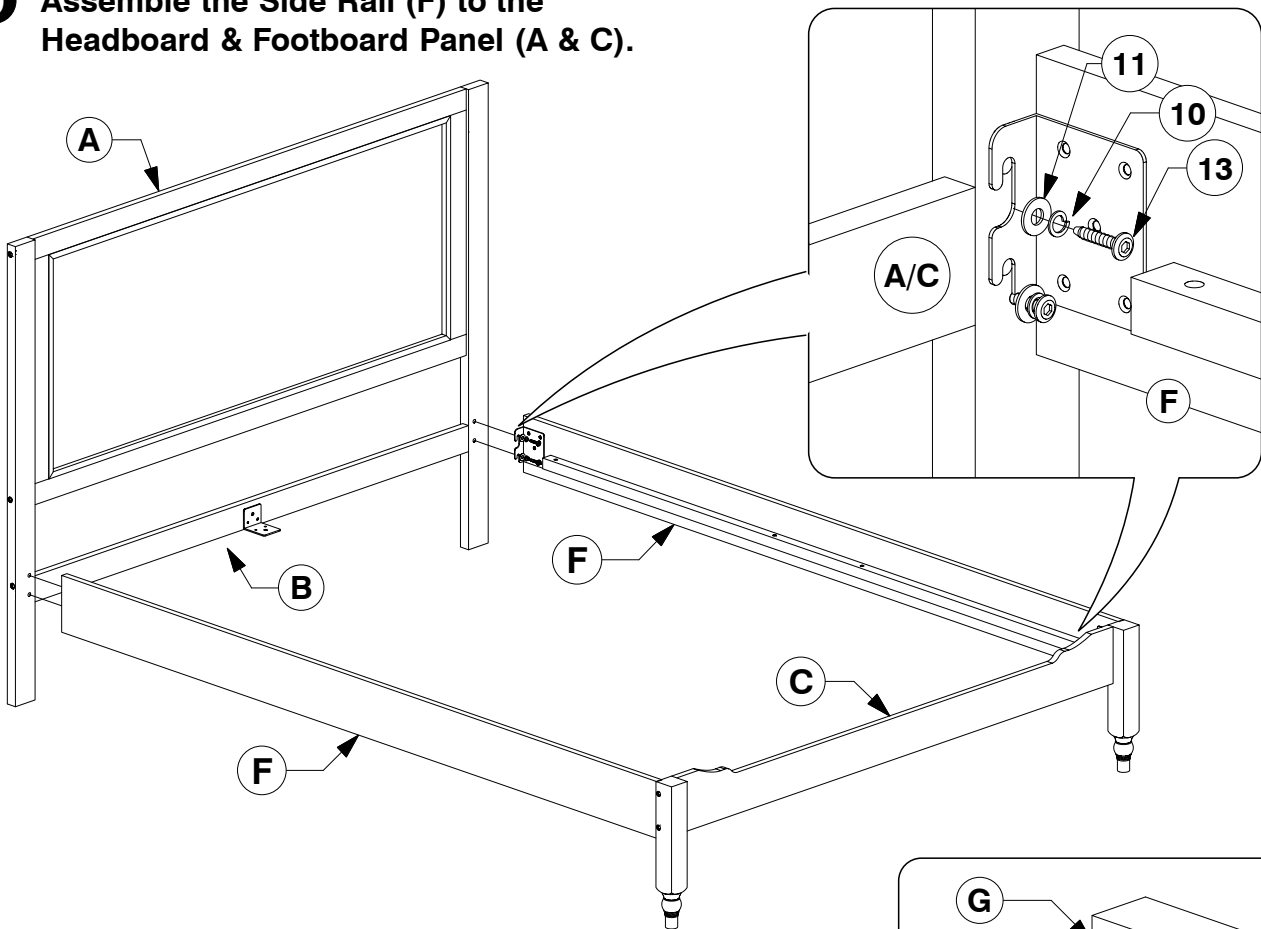
- 8** Assemble the Headboard Post (D & E) to the Headboard Panel (A) & Headboard Support (B).



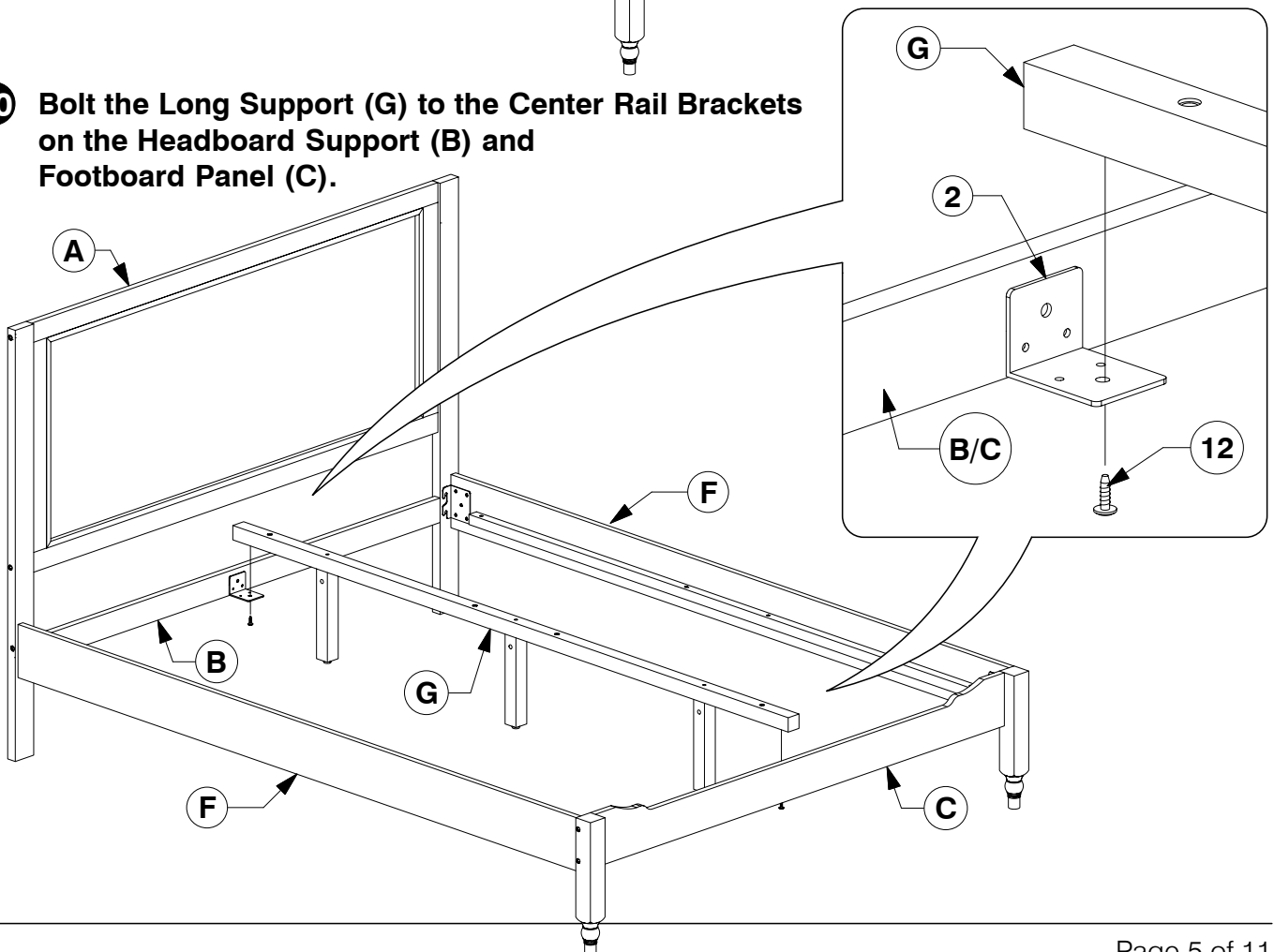
Queen Bed

Assembly Instructions

- 9** Assemble the Side Rail (F) to the Headboard & Footboard Panel (A & C).



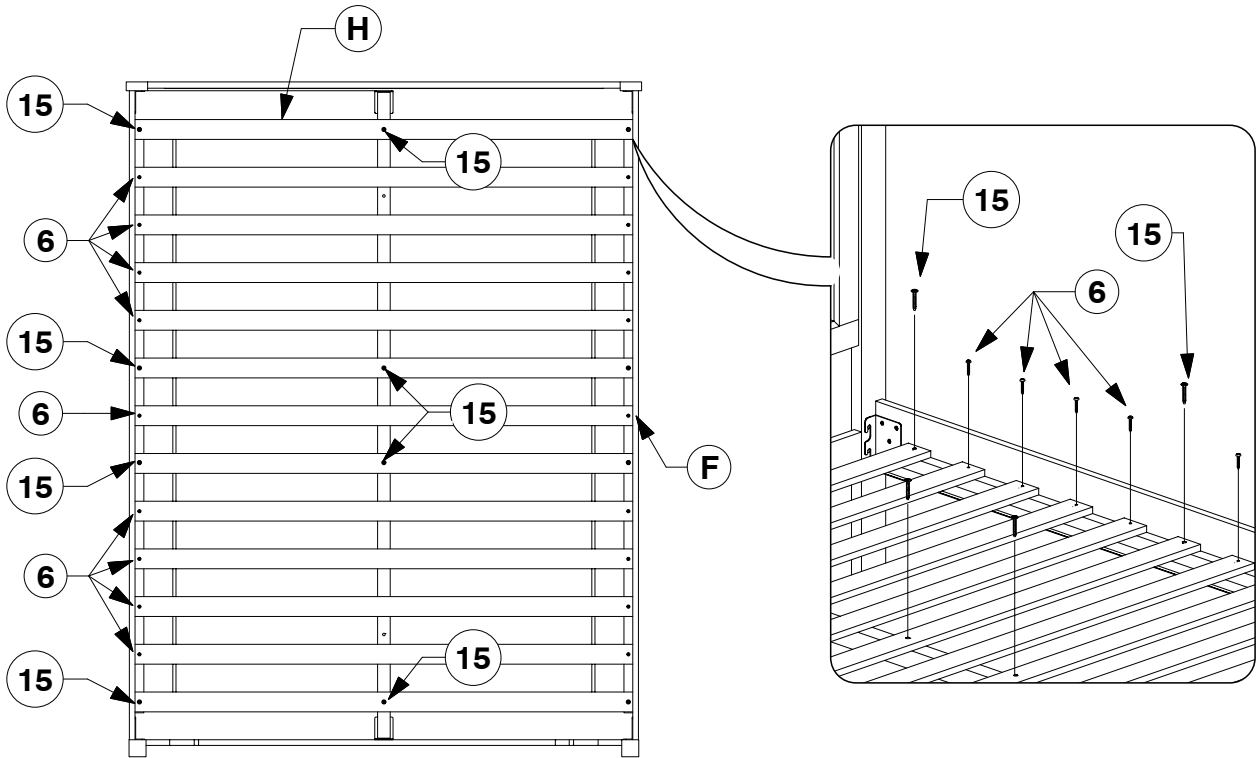
- 10** Bolt the Long Support (G) to the Center Rail Brackets on the Headboard Support (B) and Footboard Panel (C).



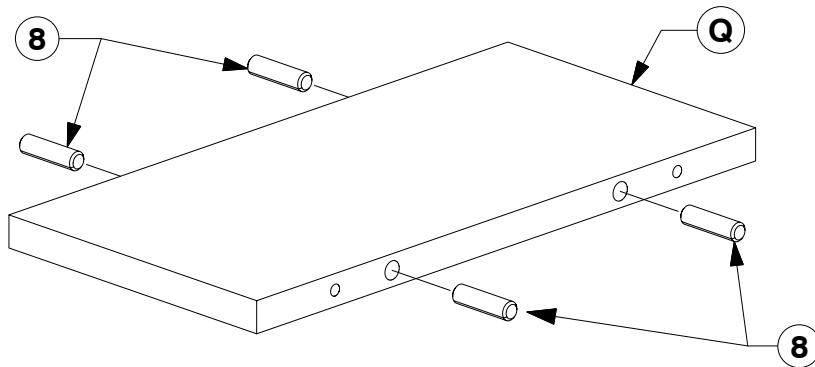
Queen Bed

Assembly Instructions

- 11** Bolt & screw the Bed Slats (H) to the Side Rail (F).



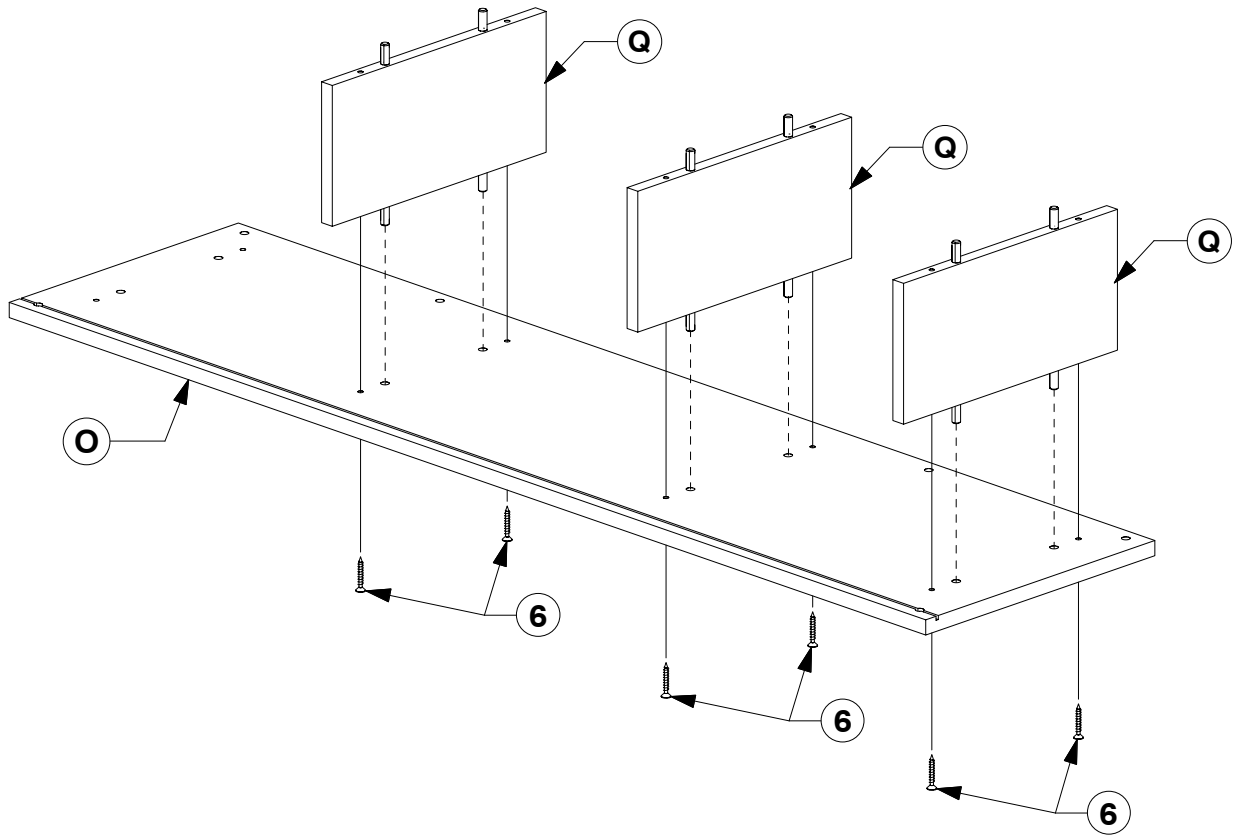
- 12** Tap the Wood Dowels (8) to the Storage Shelf (Q).



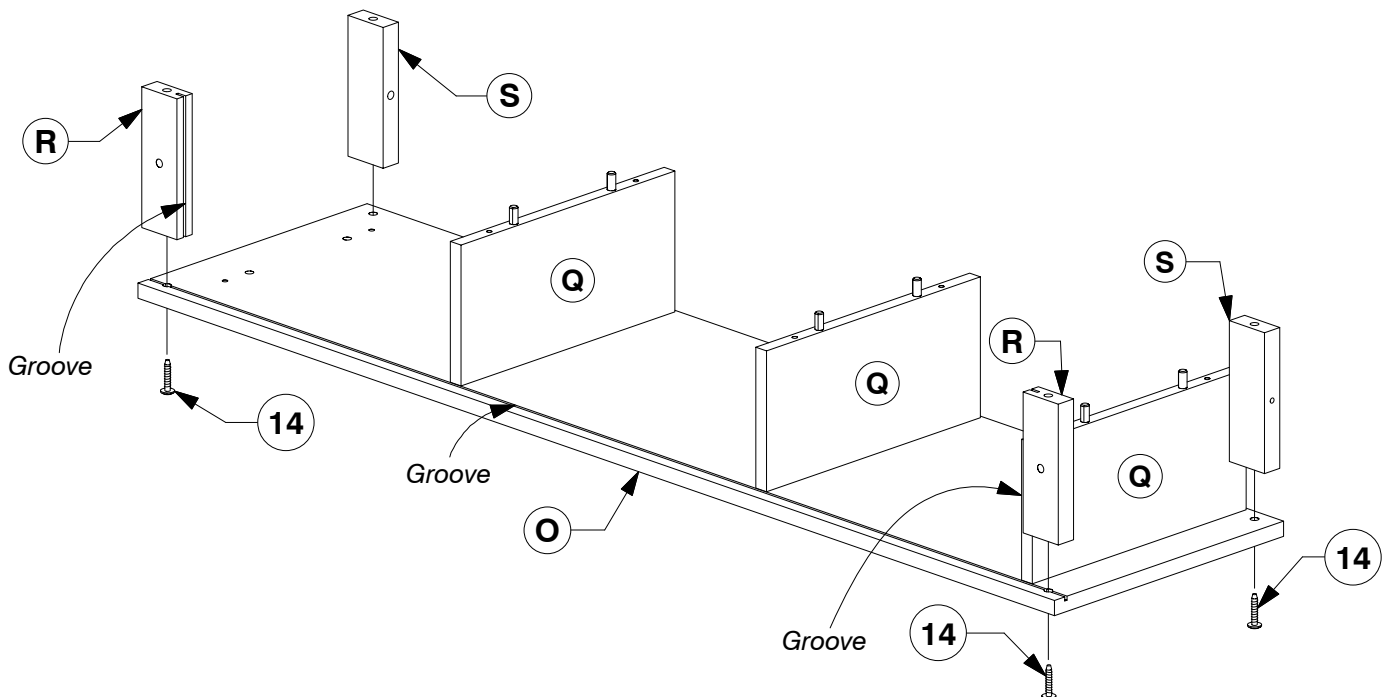
Queen Bed

Assembly Instructions

- 13** Fit the Storage Shelf (Q) to the Storage Side Panel (O).



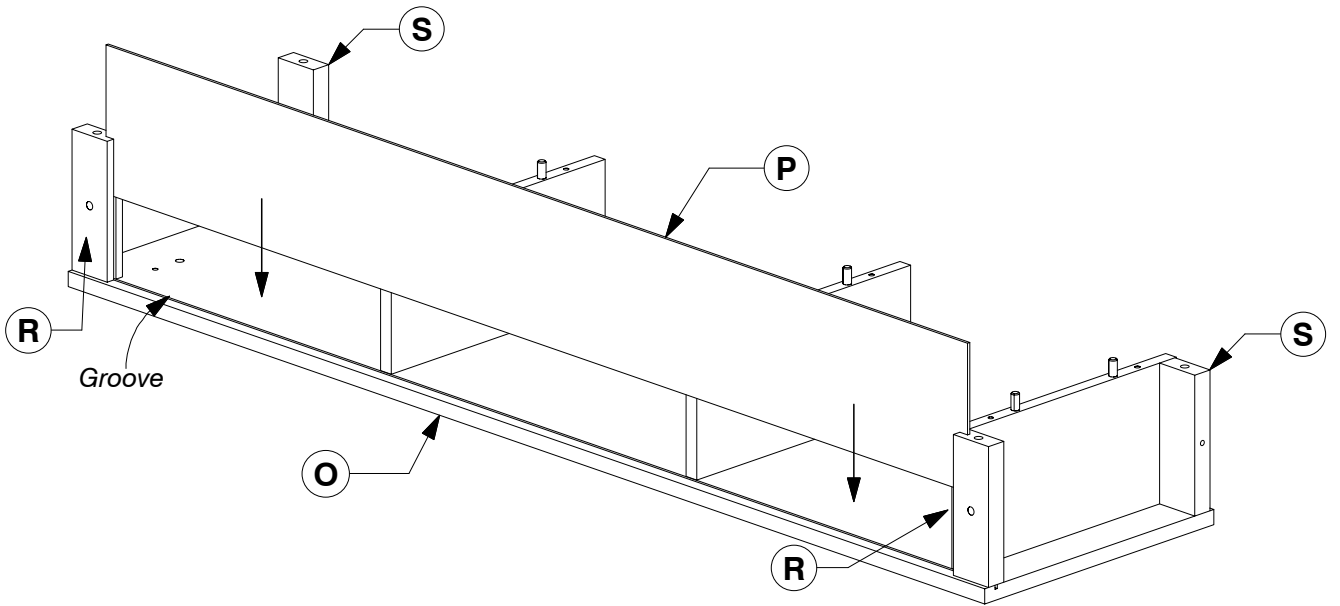
- 14** Fit the Storage Support Block (R & S) to the Storage Side Panel (O).



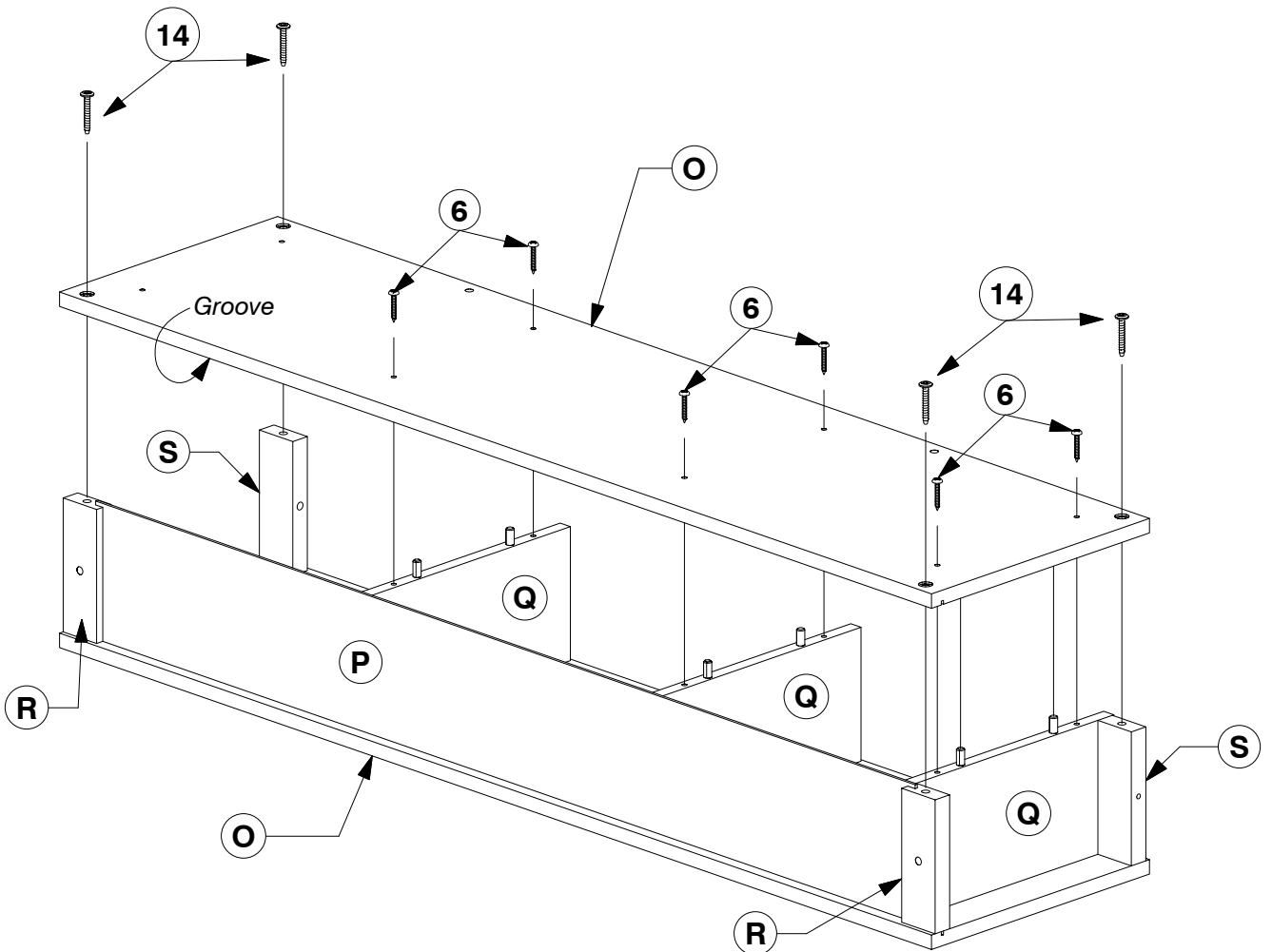
Queen Bed

Assembly Instructions

- 15** Slide the Storage Panel (P) into the groove.



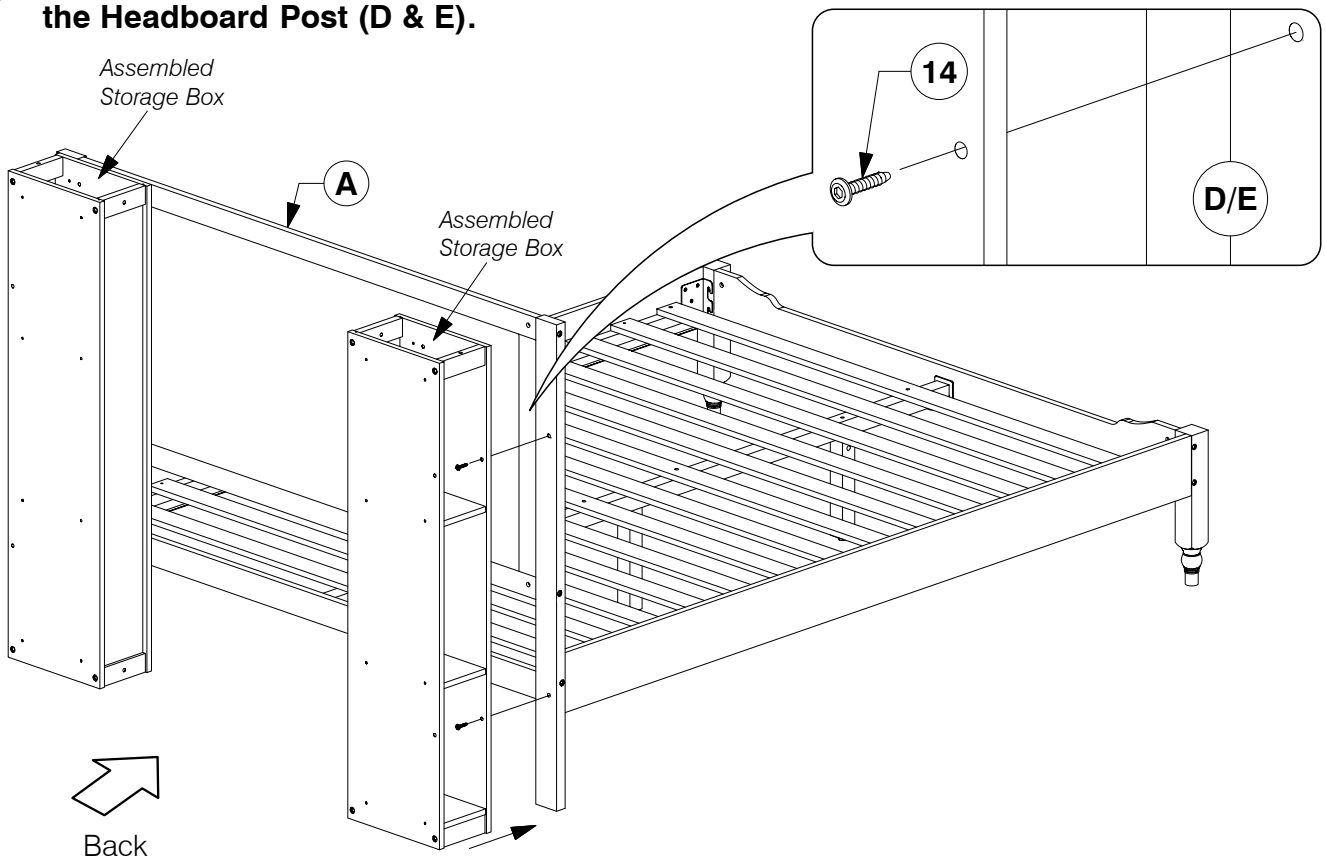
- 16** Fit the Storage Side Panel (O) in place.



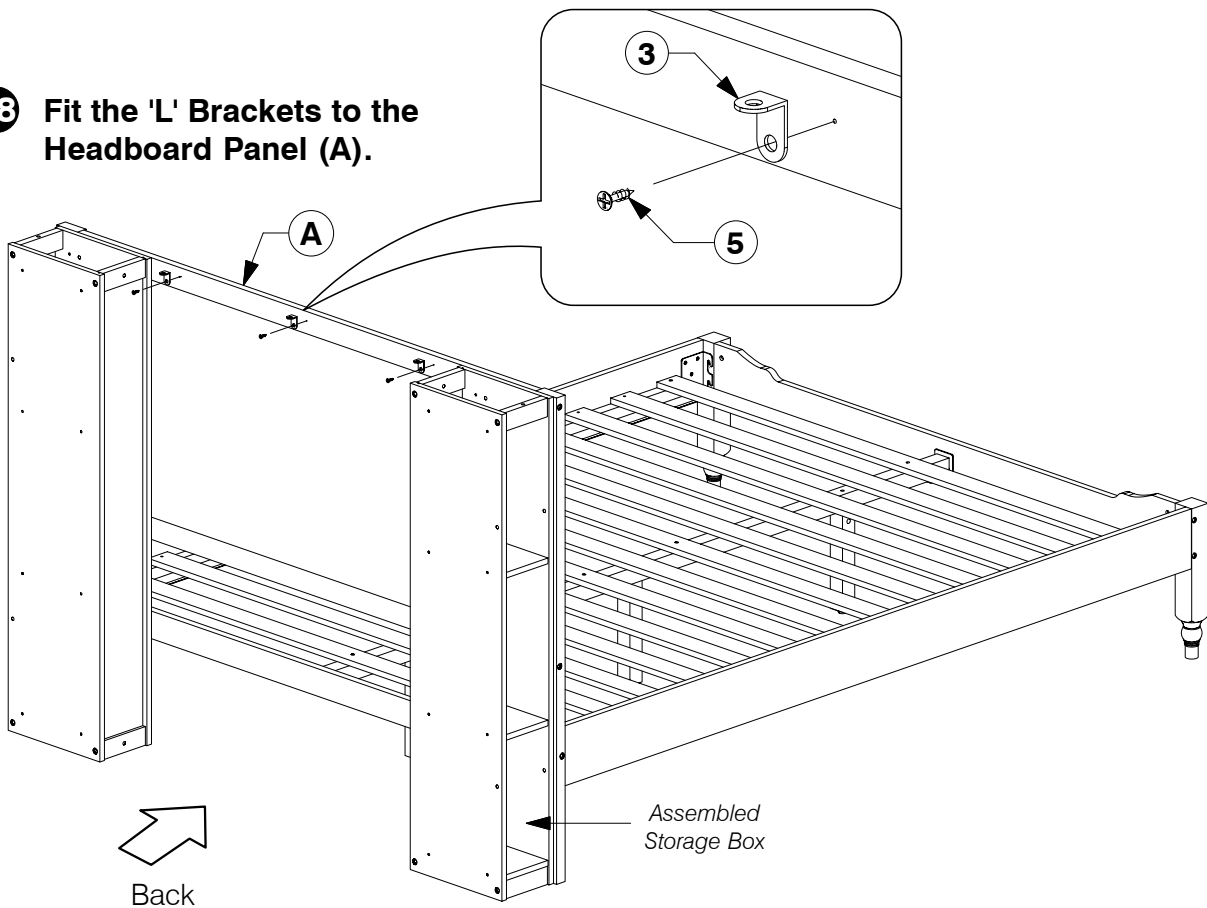
Queen Bed

Assembly Instructions

17 Attach the assembled Storage Box to the Headboard Post (D & E).



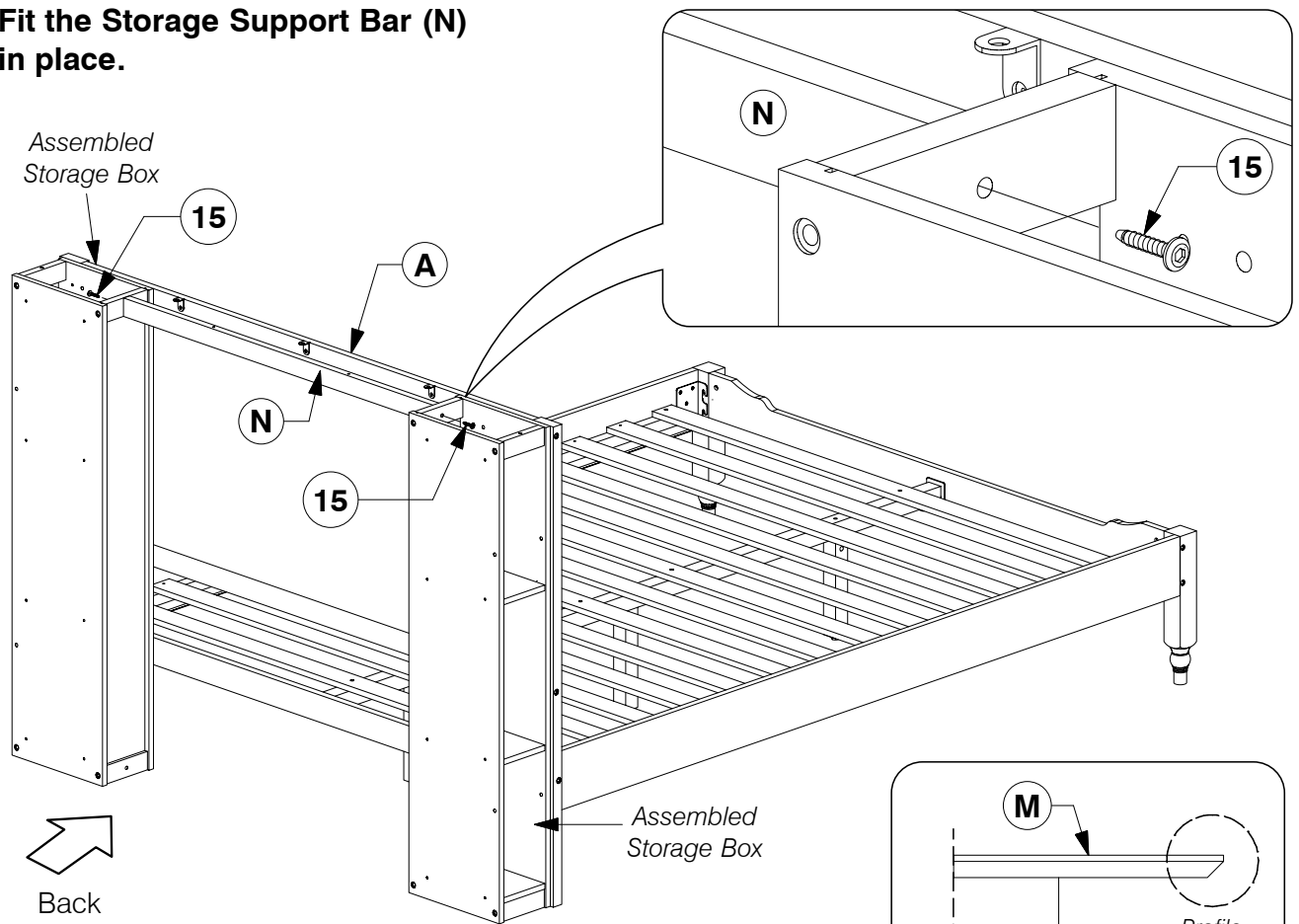
18 Fit the 'L' Brackets to the Headboard Panel (A).



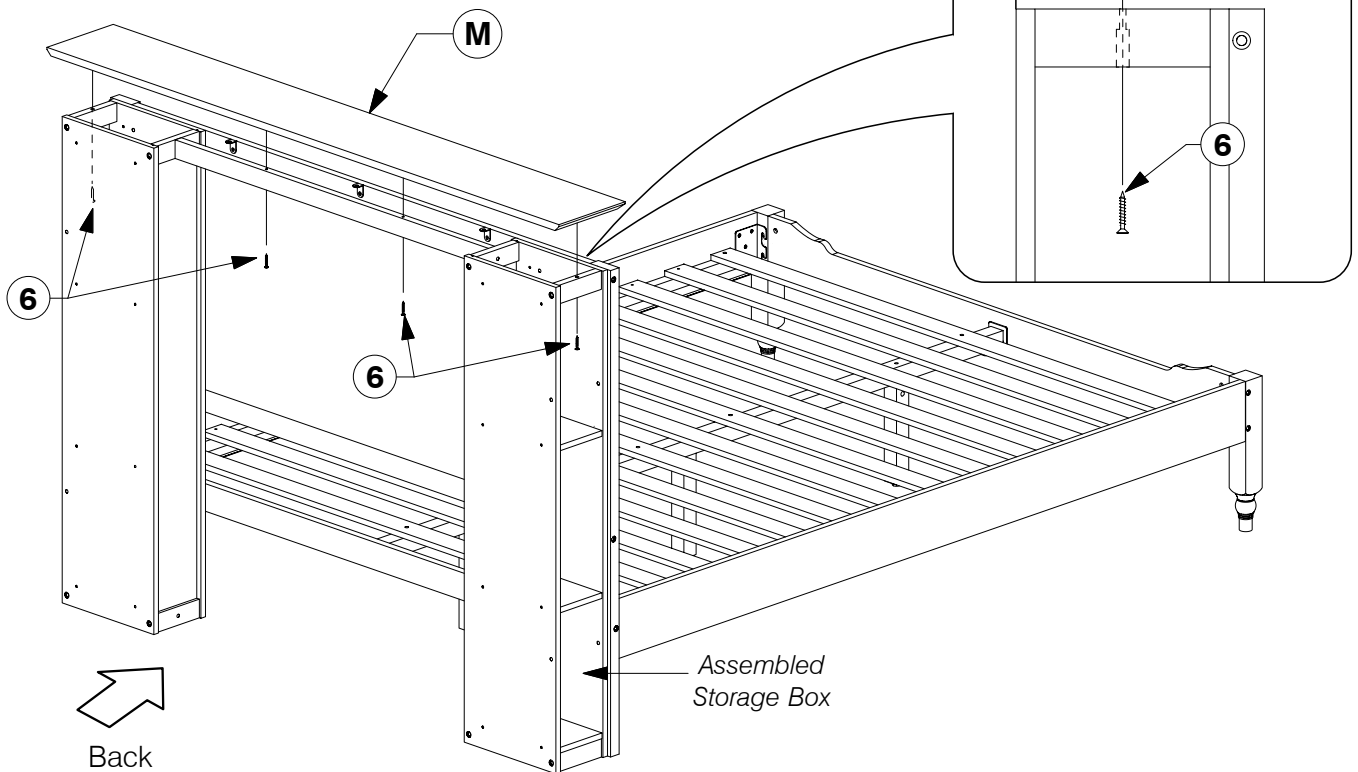
Queen Bed

Assembly Instructions

- 19** Fit the Storage Support Bar (N) in place.



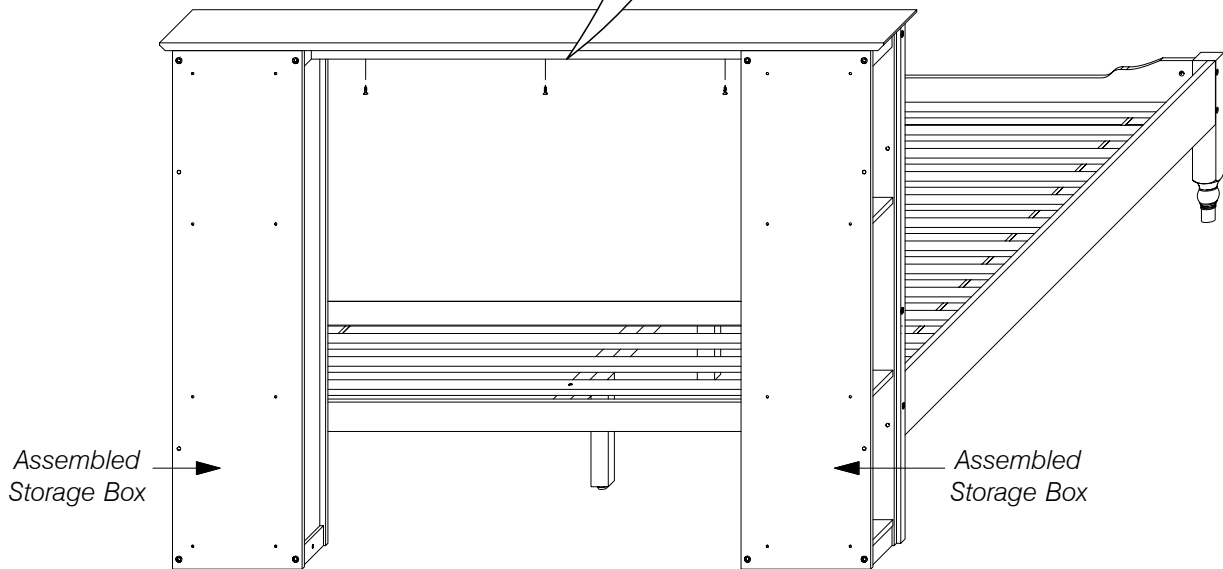
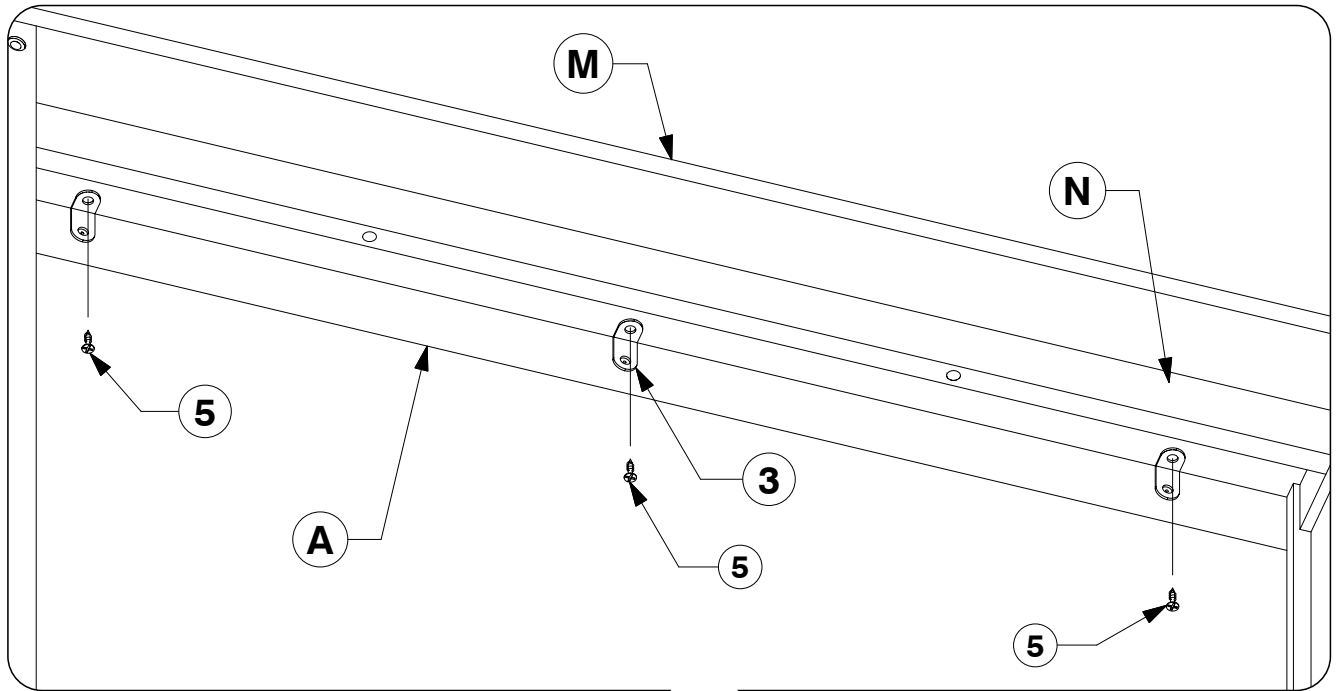
- 20** Fit the Headboard Top Panel (M) on top of the assembled Storage Box & Headboard.



Queen Bed

Assembly Instructions

21 Tighten the Top Cap (M) with M4 x 16mm Wood Screws.



Back