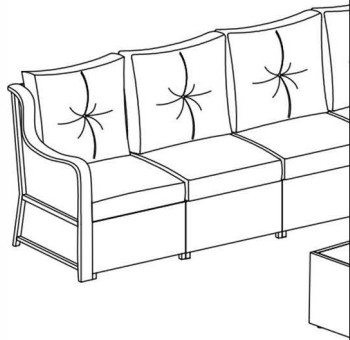


Owner Manual



WARRANTY

We strive to offer high quality product and we also try our best to satisfy each customer that order from us, no matter on products or services as needed. Each customer receives a record of their order, such as the order number or item receipt. For any items that are out of warranty period, you may still be able to purchase the replacement parts from our company if they are available.



MAINTENANCE AND WARNING

Please read the manual thoroughly
before you start installing.

Please keep the product away from
sharp object.

Packaging and small parts may have
chocking hazard, please keep them away
from children and pets.

Please clean the product according to each
clean code, check the product description
for more information.

Please keep the product away from
fire.

If you have any other questions, please
contact us, we will be glad to help you out.

If the product is placed under direct
sunlight, the pattern or color might fade
away overtime.

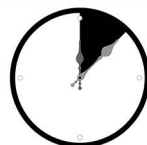
Check the product periodically to make
sure everything is secured and tightened.

Always use proper tools for installation.

Do not jump on the product.



Two people



Around 45 min

PRODUCT DESCRIPTION

Premium Wicker Construction:

Handwoven from high-density PE

Wicker, all chairs and the coffee table

are fully water-resistant,

UV-protected, and mildew-resistant,

ensuring durability and natural

outdoor appeal.

Ergonomic Seating:

Curved armrests are designed to support

natural posture, while each chair

includes a plush seat cushion and

button-tufted back pillow wrapped

in water-resistant cotton-blend

fabric for comfort and refined

Modular and Load-Bearing:

Modular design allows flexible

arrangement to fit patios, decks, or

gardens, while each chair supports

up to 264 lbs, offering

professional-grade outdoor seating

with both style and reliability.

Powder-Coated Steel Frame:

Internal frames use powder-coated

steel for maximum structural

strength, rust resistance, and

long-term dimensional stability in

outdoor environments.

Tempered Glass Coffee Table:

The coffee table features a durable dark

tempered glass surface resistant to

scratches and thermal shock,

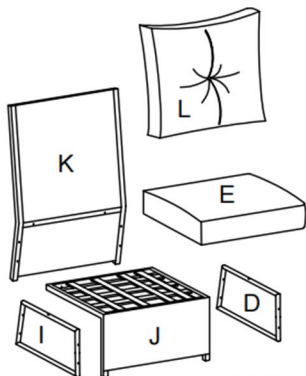
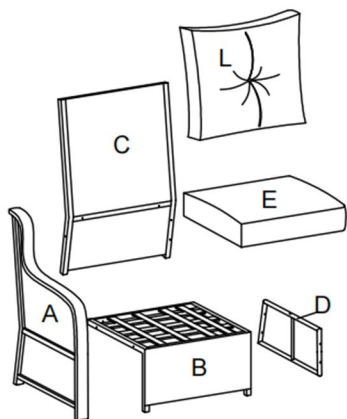
combining functionality with

sophisticated aesthetics.

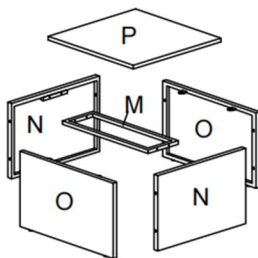
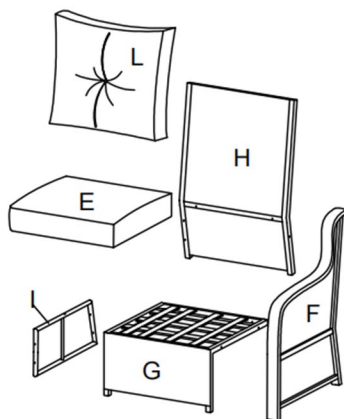
EXPLODED VIEW



The product's left and right are determined by sitting posture



X3



PARTS

A*1



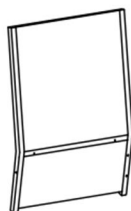
Right arm

B*1



Seat frame

C*1



Backrest

D*4



Side plate

E*5



Seat cushion

F*1



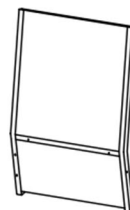
Left arm

G*1



Seat frame

H*1



Backrest

I*4



Side plate

J*3



Seat frame

K*3



Backrest

L*5



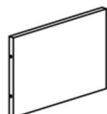
Back cushion

M*1



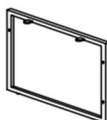
The frames

N*2



Side boards

O*2



Side boards

P*1



Glass table top

HARDWARE

TOOL LIST

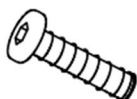
NOTE: Designated with (★) We provide additional spare parts in the hardware package

①*4



M6*30mm
Bolt

②*42



M6*35mm
Bolt

③*22



M6*40mm
Bolt

⑦*4



M6*45mm
Bolt

④*72



Flat washer

⑤*1



Allen key

⑥*8



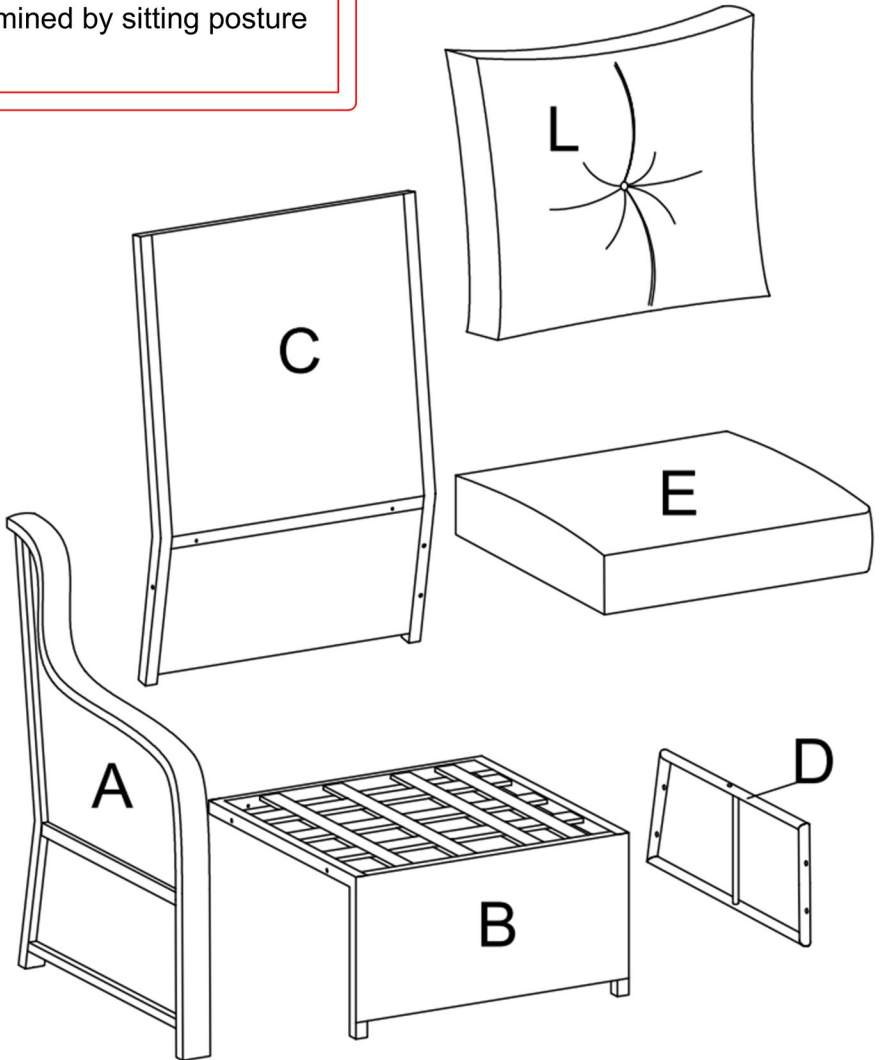
Hook

Please make sure all hardware&packing material fitting the list.
Especially some small accessories may be missing during transportation. Please contact us if you have any question.

EXPLODED VIEW-1

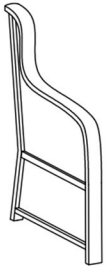


The product's left and right are determined by sitting posture



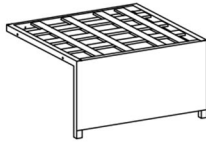
PARTS-1

A*1



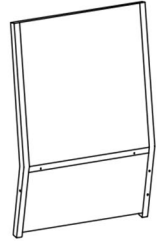
Right arm

B*1



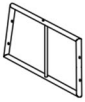
Seat frame

C*1



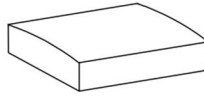
Backrest

D*1



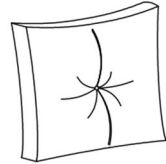
Side plate

E*1



Seat cushion

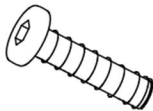
L*1



Back cushion

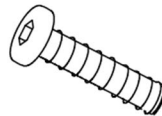
HARDWARE-1

②*5



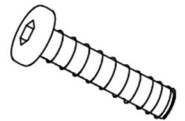
M6*35mm
Bolt

③*5



M6*40mm
Bolt

⑦*2



M6*45mm
Bolt

④*12



Flat washer

⑤*1



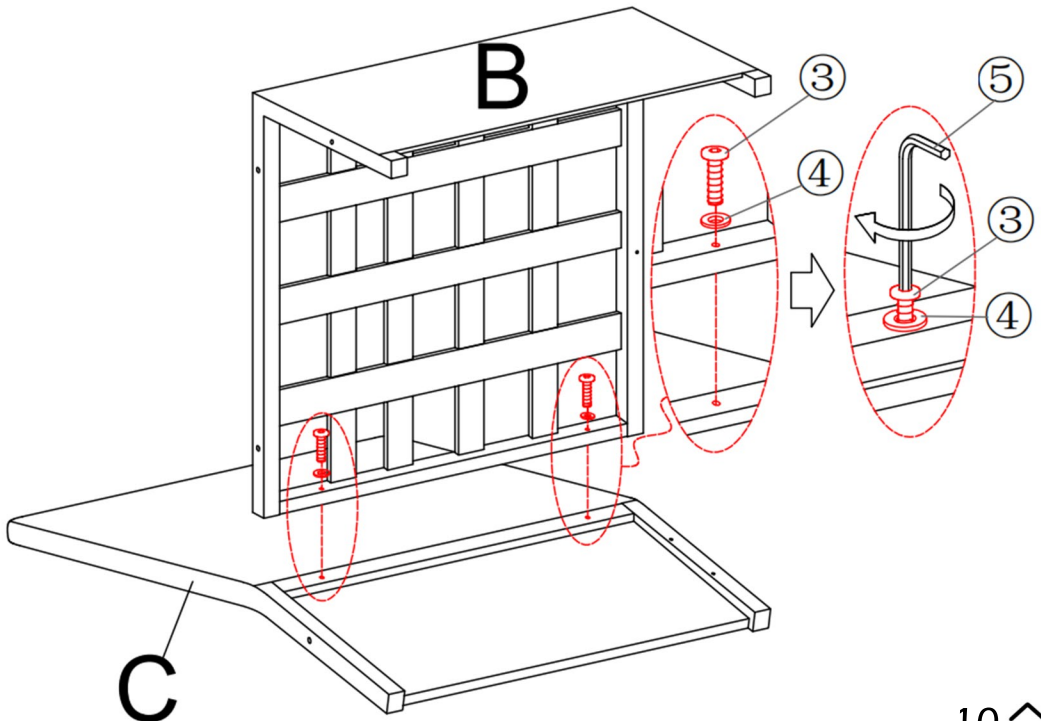
Allen key

step 1 —Backrest Installation

To install the backrest to the seat frame, first place the side frame on its side as shown, then use the provided allen wrench to tighten the bolts (3) and flat washer (4) to the bottom of the seat frame.



First add one flat washer on each bolt as shown, use the allen wrench provided to tighten all the bolts by 30-50% first, make sure that all bolts are aligned correctly before fully tightening.

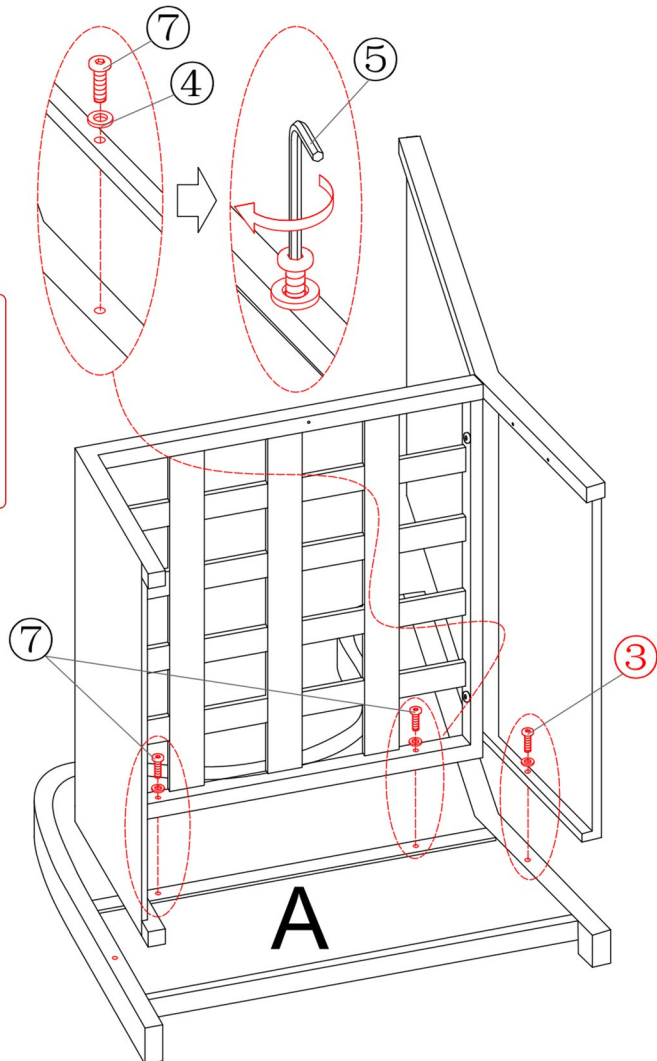


step 2 —Connect the Right Armrest to Parts from Last Step

Place the right armrest flat on the ground, and align the pre-drilled holes on both seat frame and armrest, then use the allen wrench provided to tighten the bolts (3) and flat washer (4) on all three bolt holes.

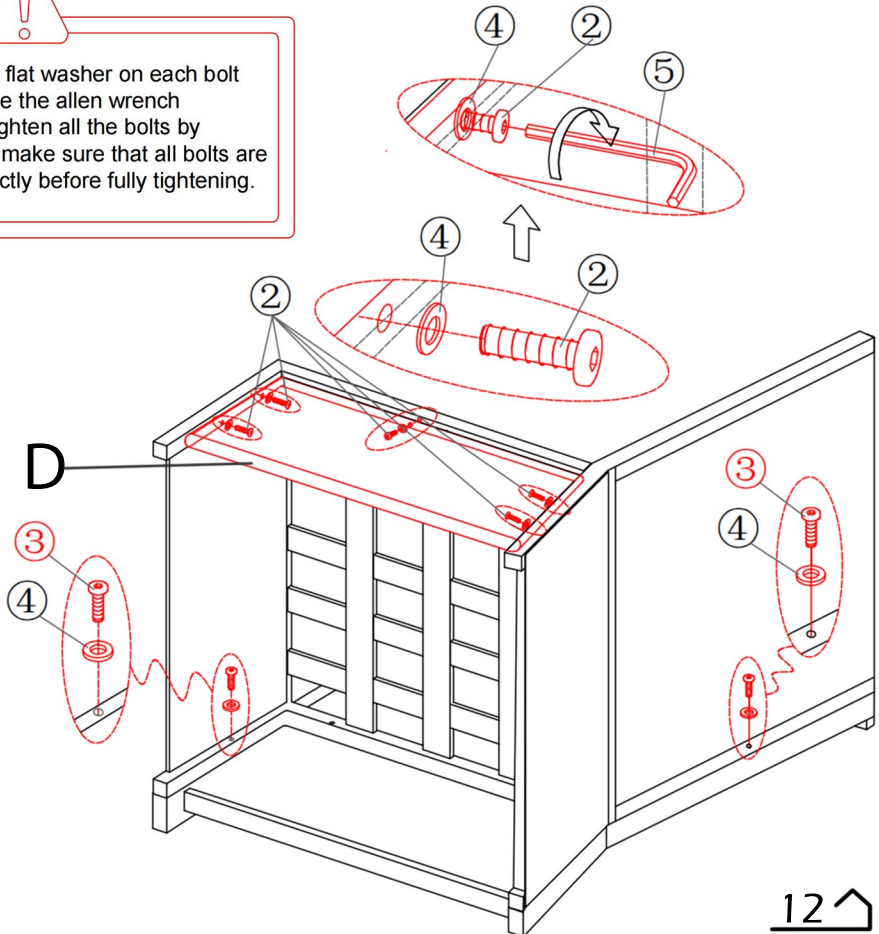
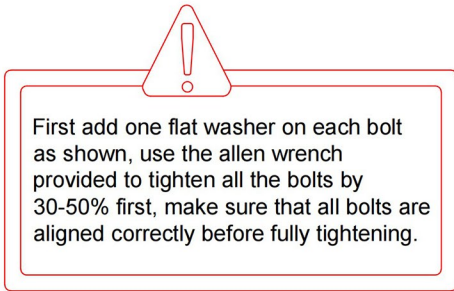


First add one flat washer on each bolt as shown, use the allen wrench provided to tighten all the bolts by 30-50% first, make sure that all bolts are aligned correctly before fully tightening.



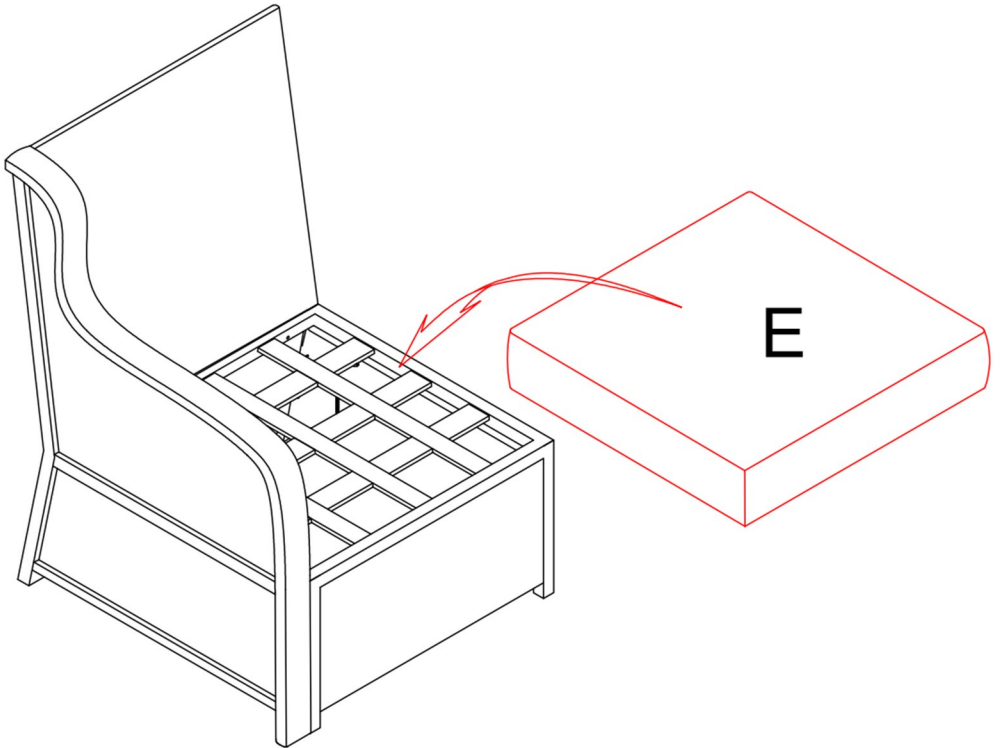
step 3 —Fix the Side Plate to the Frame.

To install the side plate to the assembled seat frame, first align the pre-drilled holes on both parts, use the allen wrench provided to tighten the bolts (2) and flat washers on the inner frame of the side plate as shown. Then tighten the bolts (3) with washers to the pre-drilled holes on the backrest and seat frame to fix the chair.



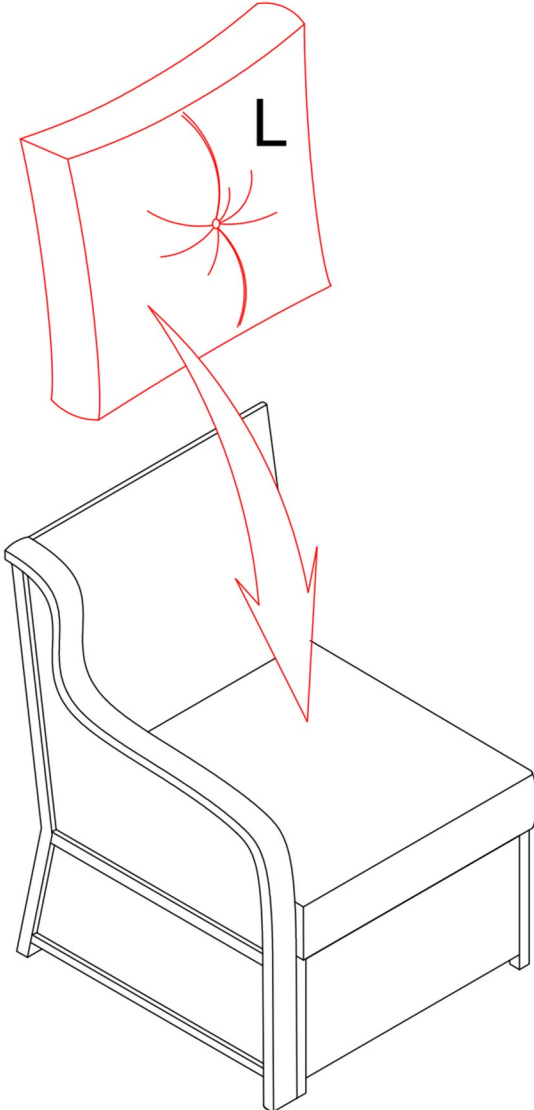
step 4 –Seat Cushions

Place the seat cushion (E) on the chair as shown.



step 5 —Back Cushions

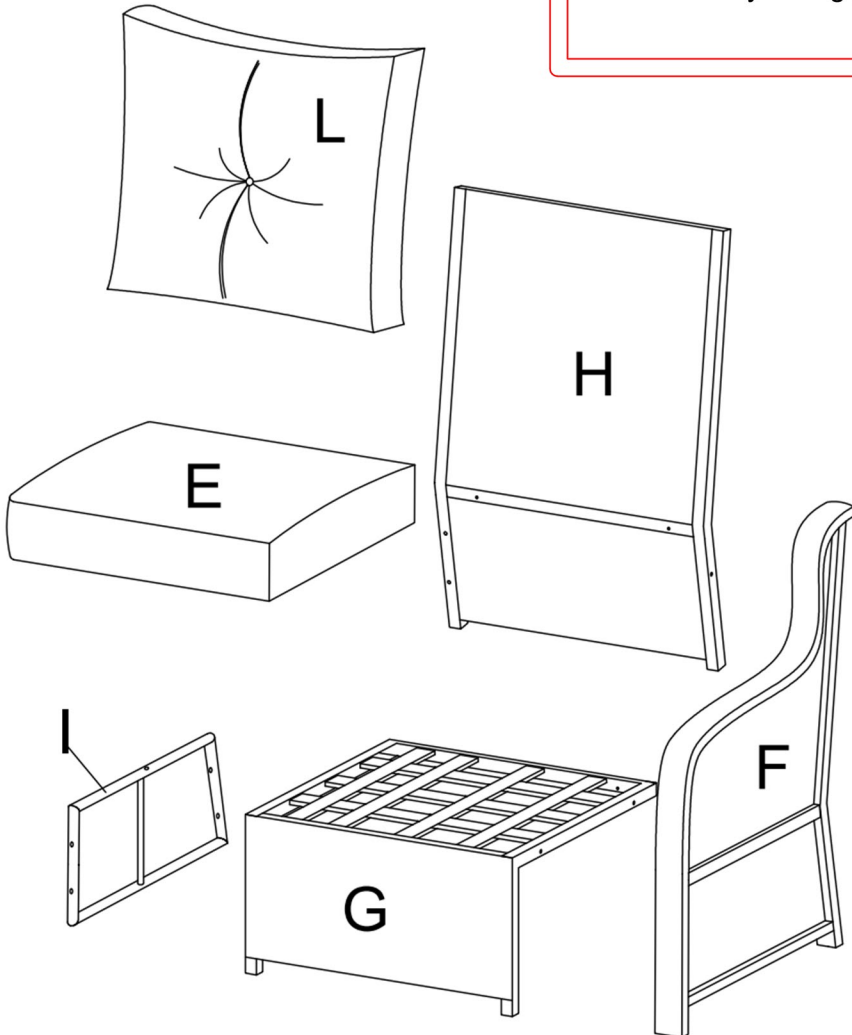
Place the back cushion (L) on the chair as shown.



EXPLODED VIEW-2



The product's left and right are determined by sitting posture



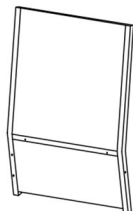
PARTS-2

E*1



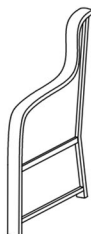
Seat cushion

H*1



Backrest

F*1



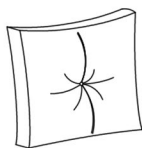
Left arm

G*1



Seat frame

L*1



Back cushion

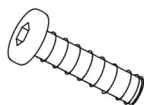
I*1



Side plate

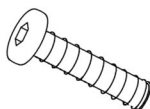
HARDWARE-2

②*5



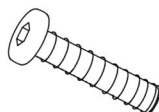
M6*35mm
Bolt

③*5



M6*40mm
Bolt

⑦*2



M6*45mm
Bolt

④*12



Flat washer

⑤*1



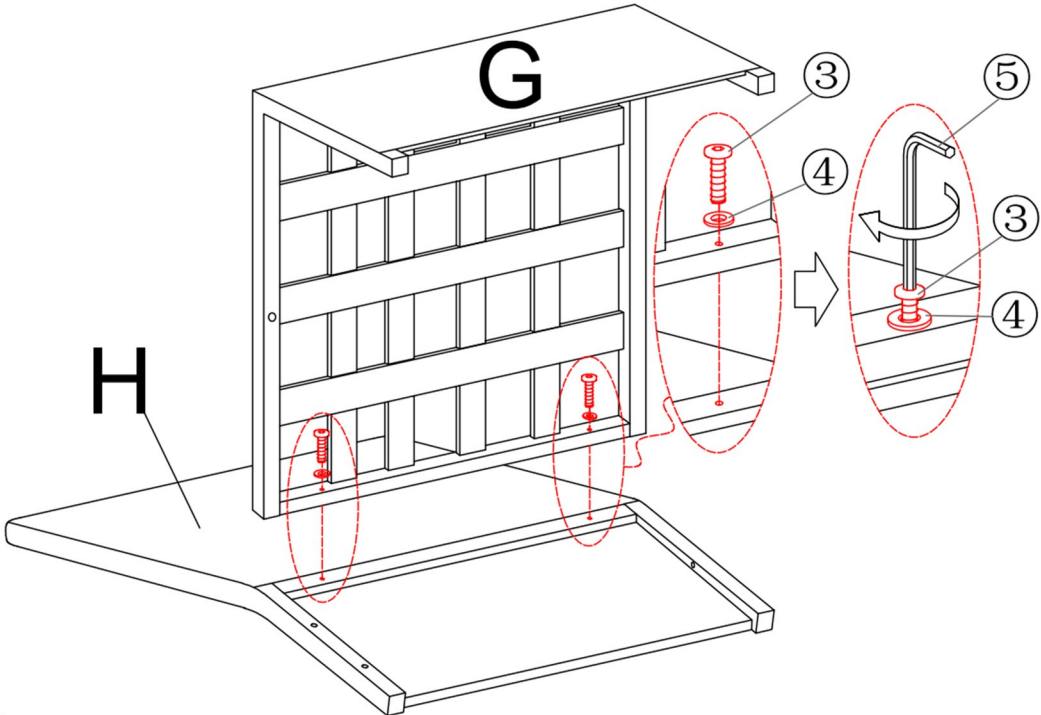
Allen key

step 6 –Backrest Installation

To install the backrest to the seat frame, first place the side frame on its side as shown, then use the provided allen wrench to tighten the bolts (3) and flat washer (4) to the bottom of the seat frame.

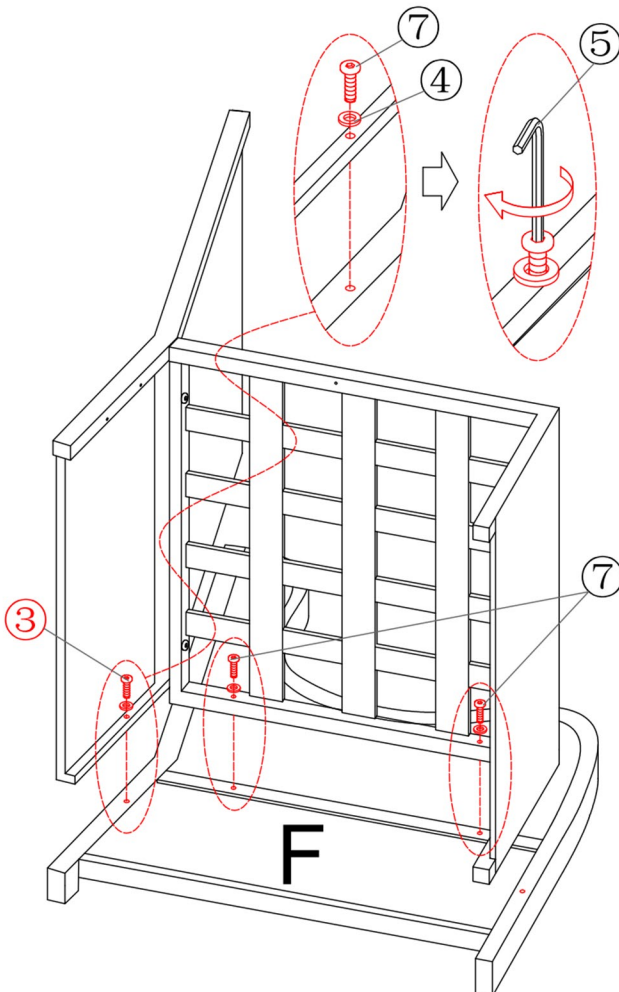


First add one flat washer on each bolt as shown, use the allen wrench provided to tighten all the bolts by 30-50% first, make sure that all bolts are aligned correctly before fully tightening.



step 7 – Connect the left Armrest to Parts from Last Step

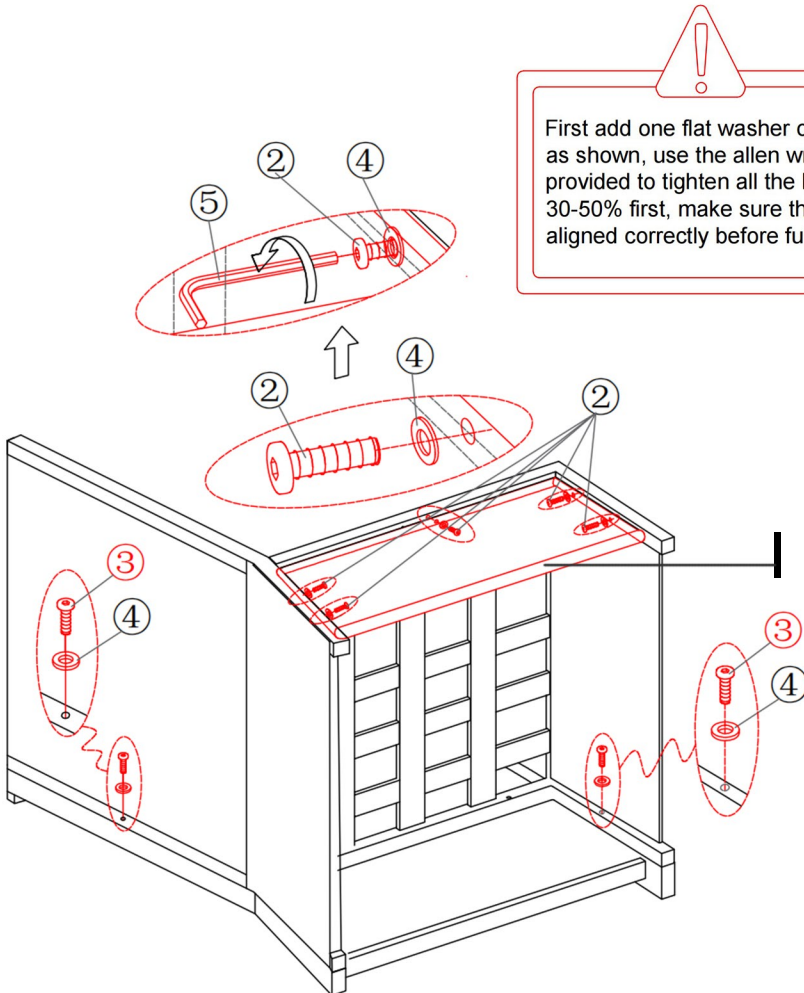
Place the left armrest flat on the ground, and align the pre-drilled holes on both seat frame and armrest, then use the allen wrench provided to tighten the bolts (3) and flat washer (4) on all three bolt holes.



First add one flat washer on each bolt as shown, use the allen wrench provided to tighten all the bolts by 30-50% first, make sure that all bolts are aligned correctly before fully tightening.

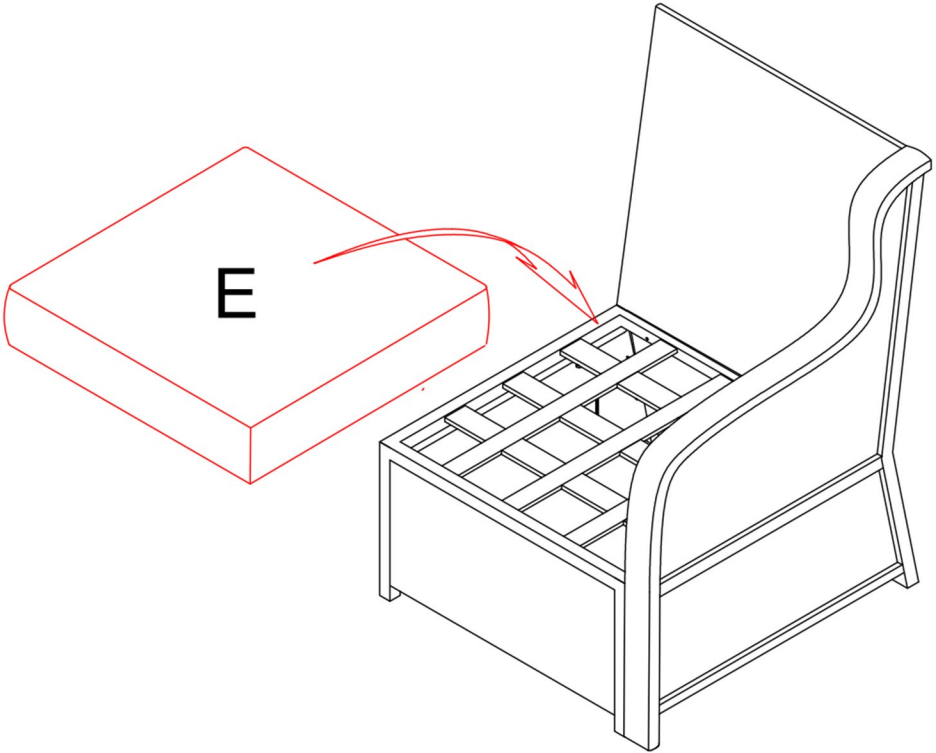
step 8 –Fix the Side Plate to the Frame

To install the side plate to the assembled seat frame, first align the pre-drilled holes on both parts, use the allen wrench provided to tighten the bolts (2) and flat washers on the inner frame of the side plate as shown. Then tighten the bolts (3) with washers to the pre-drilled holes on the backrest and seat frame to fix the chair.



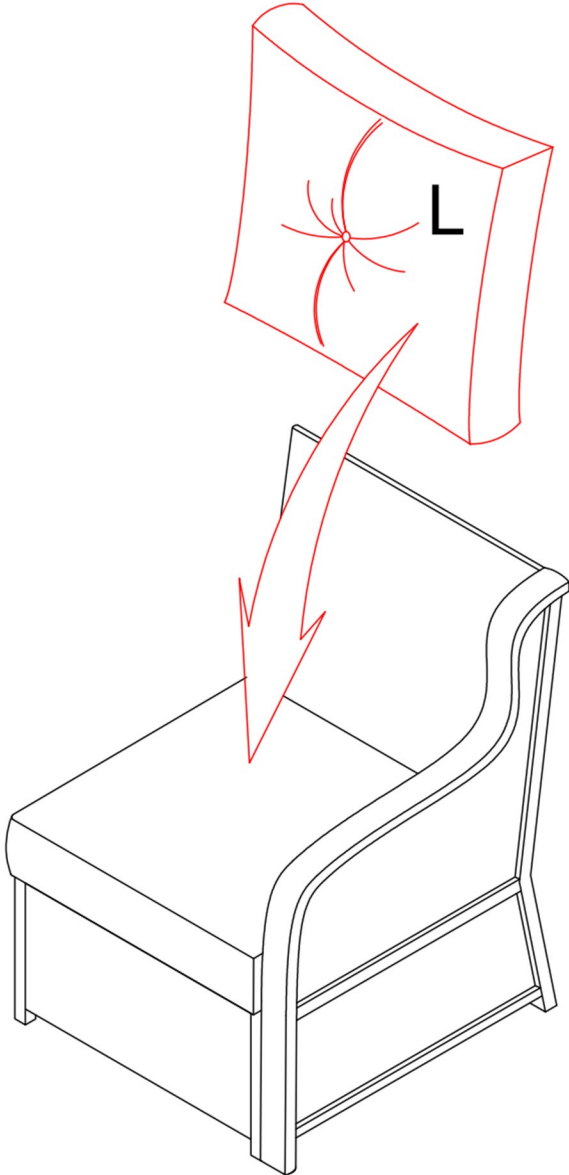
step 9 –Seat cushion

Place the seat cushion (E) on the chair as shown.

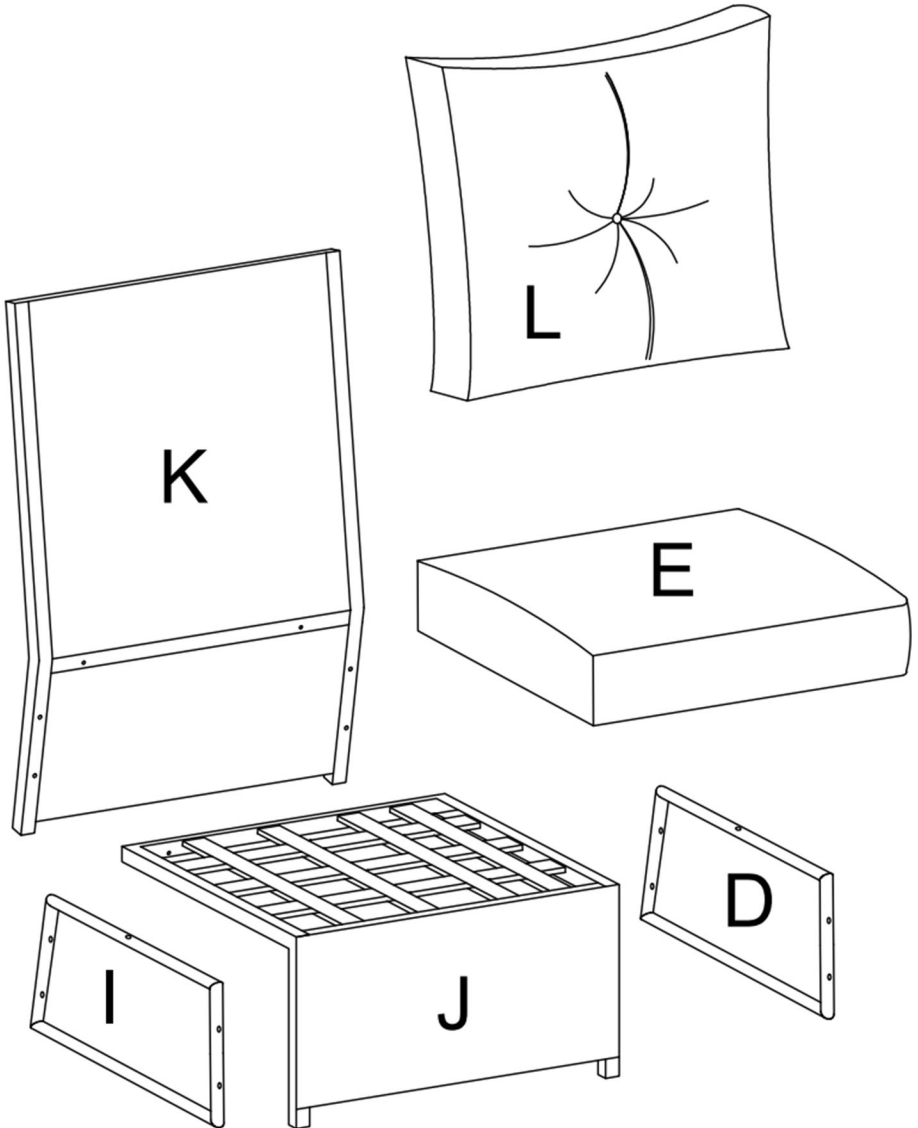


step 10 –Back cushion

Place the back cushion (L) on the chair as shown.



EXPLODED VIEW-3



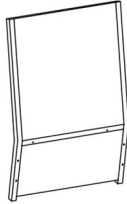
PARTS-3

J*3



Seat frame

K*3



Backrest

D*3



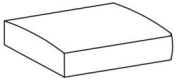
Side plate

I*3



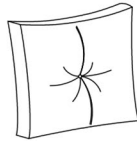
Side plate

E*3



Seat cushion

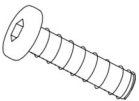
L*3



Back cushion

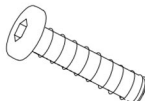
HARDWARE-3

②*24



M6*35mm
Bolt

③*12



M6*40mm
Bolt

④*36



Flat washer

⑤*1



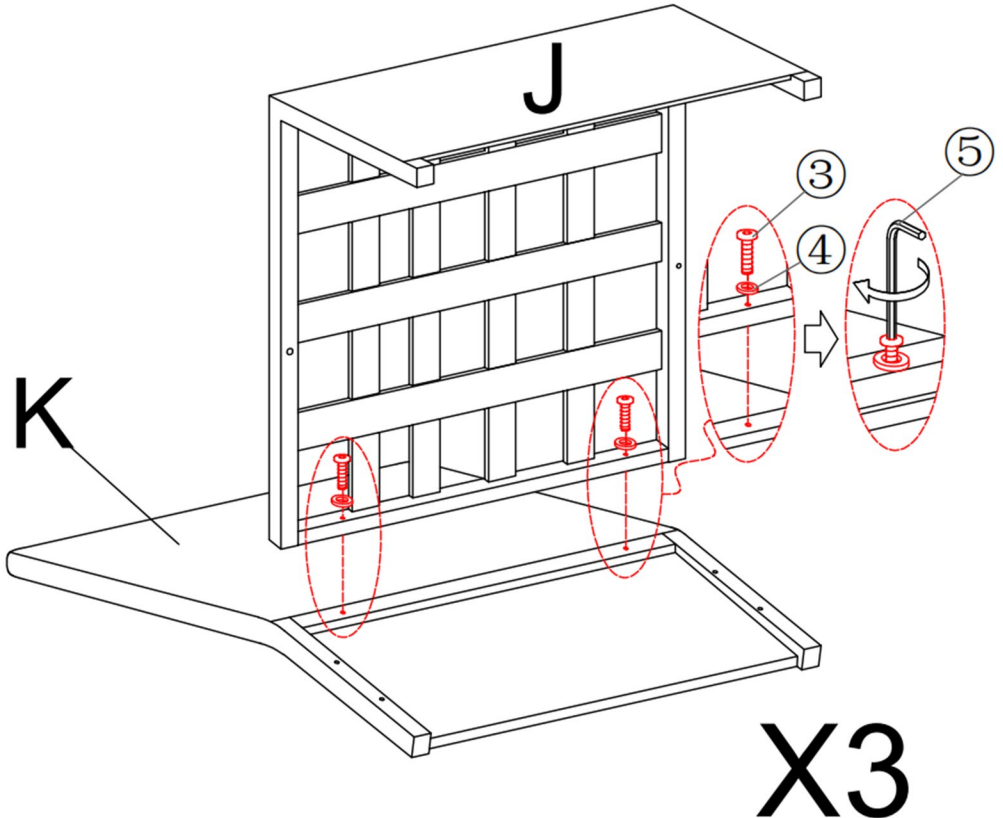
Allen key

step 11 – Backrest Installation

To install the backrest to the seat frame, use the allen wrench provided to tighten the bolts and flat washers to the pre-drilled holes as shown.



First add one flat washer on each bolt as shown, use the allen wrench provided to tighten all the bolts by 30-50% first, make sure that all bolts are aligned correctly before fully tightening.

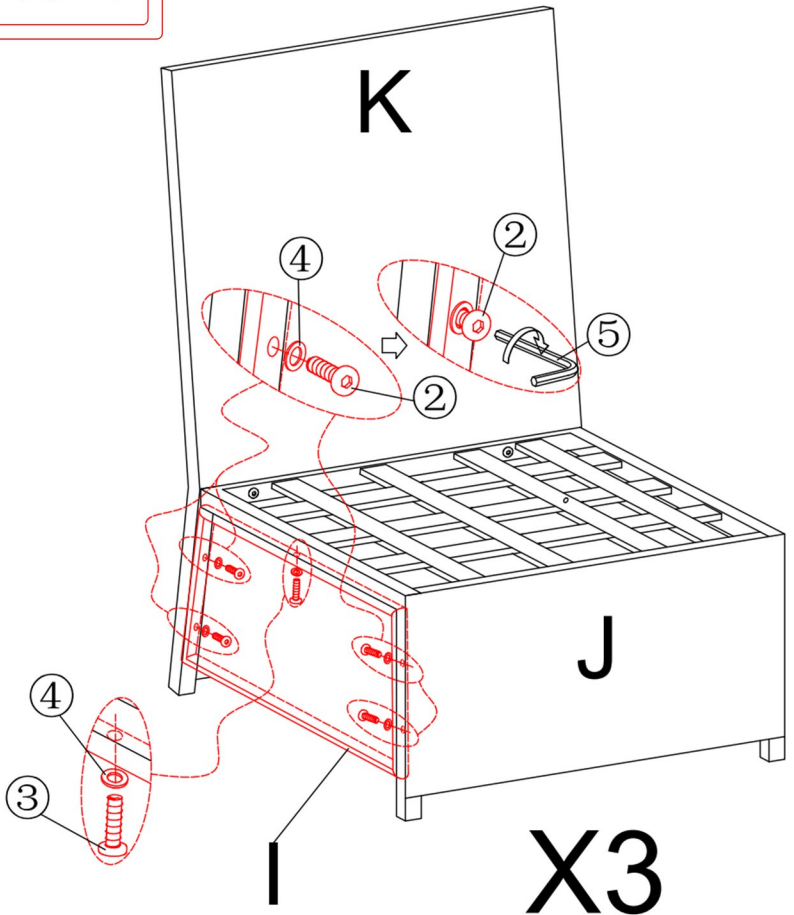


step 12 –Side Plate

Align the pre-drilled holes on the side plate with the backrest and seat frame as shown, and use the allen wrench provided to tighten the bolts (3) and washers to the seat frame, bolts (2) and washers to the backrest.



First add one flat washer on each bolt as shown, use the allen wrench provided to tighten all the bolts by 30-50% first, make sure that all bolts are aligned correctly before fully tightening.

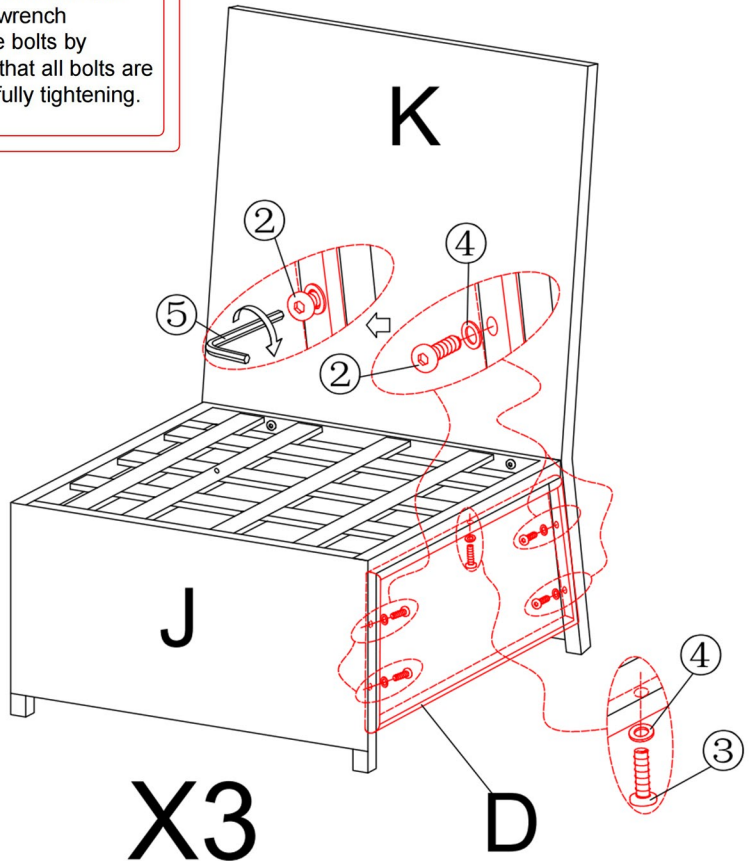


step 13 –The Other Side Plate

Align the pre-drilled holes on the side plate with the backrest and seat frame as shown, and use the allen wrench provided to tighten the bolts (3) and washers to the seat frame, bolts (2) and washers to the backrest.

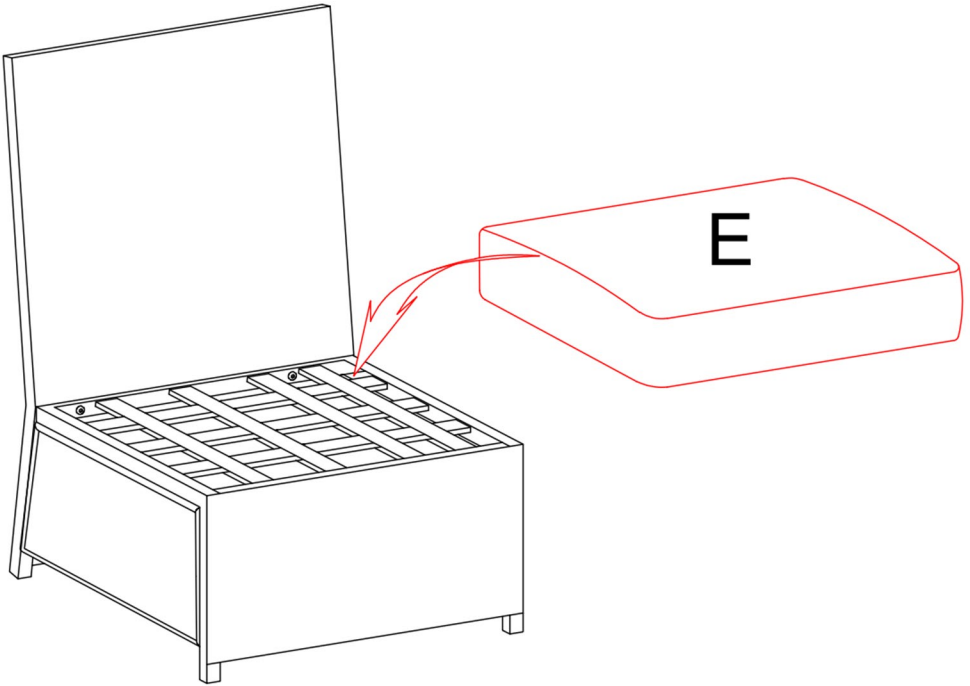


First add one flat washer on each bolt as shown, use the allen wrench provided to tighten all the bolts by 30-50% first, make sure that all bolts are aligned correctly before fully tightening.



step 14 – Seat cushion

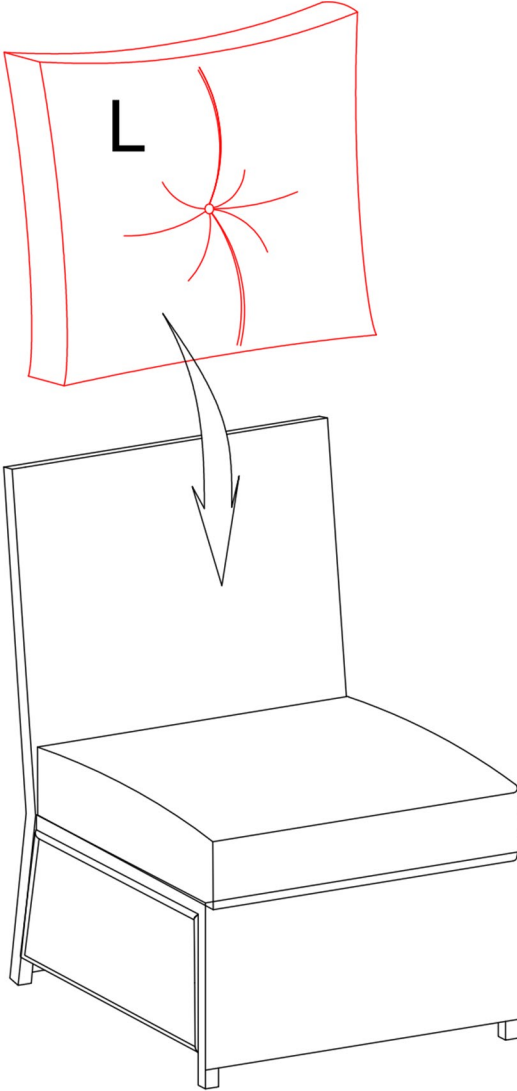
Place the seat cushion (E) on the chair as shown.



X3

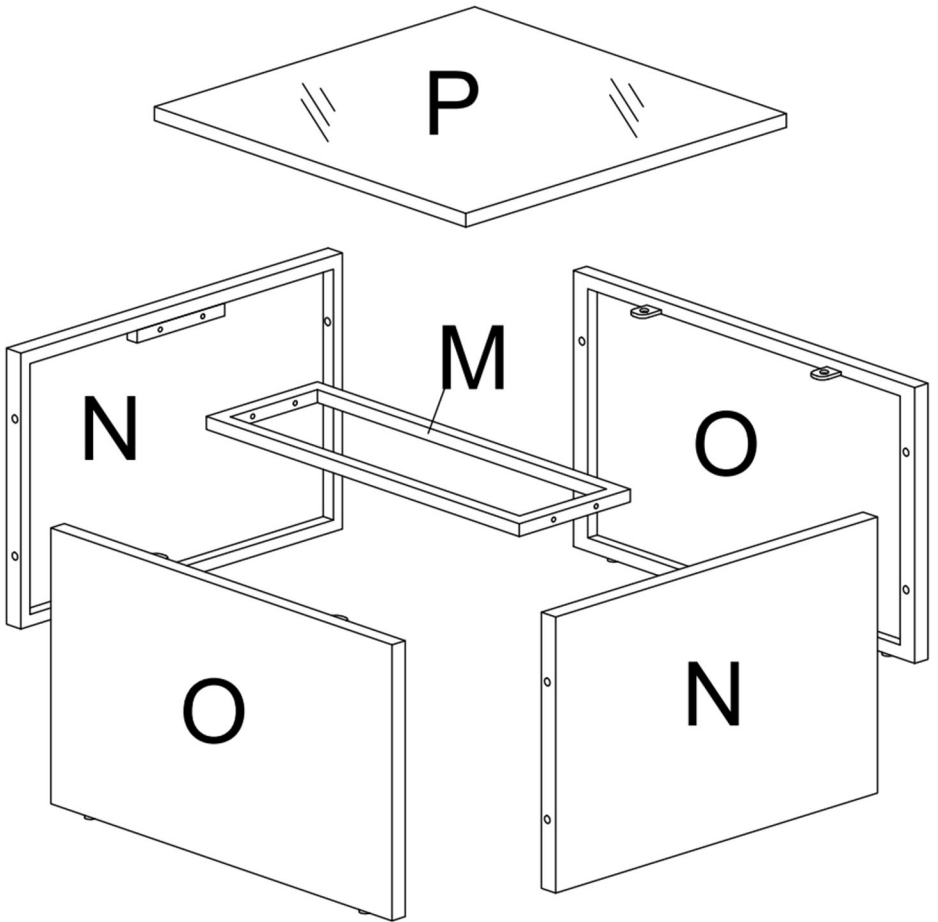
step 15 –Back cushion

Place the back cushion (L) on the chair as shown.



X3

EXPLODED VIEW-4



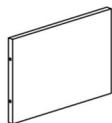
PARTS-4

M*1



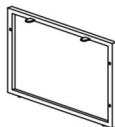
The frames

N*2



Side boards

O*2



Side boards

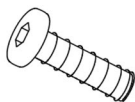
P*1



Glass table top

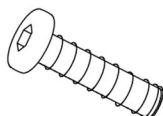
HARDWARE-4

①*4



M6*30mm
Bolt

②*8



M6*35mm
Bolt

④*12



Flat washer

⑤*1



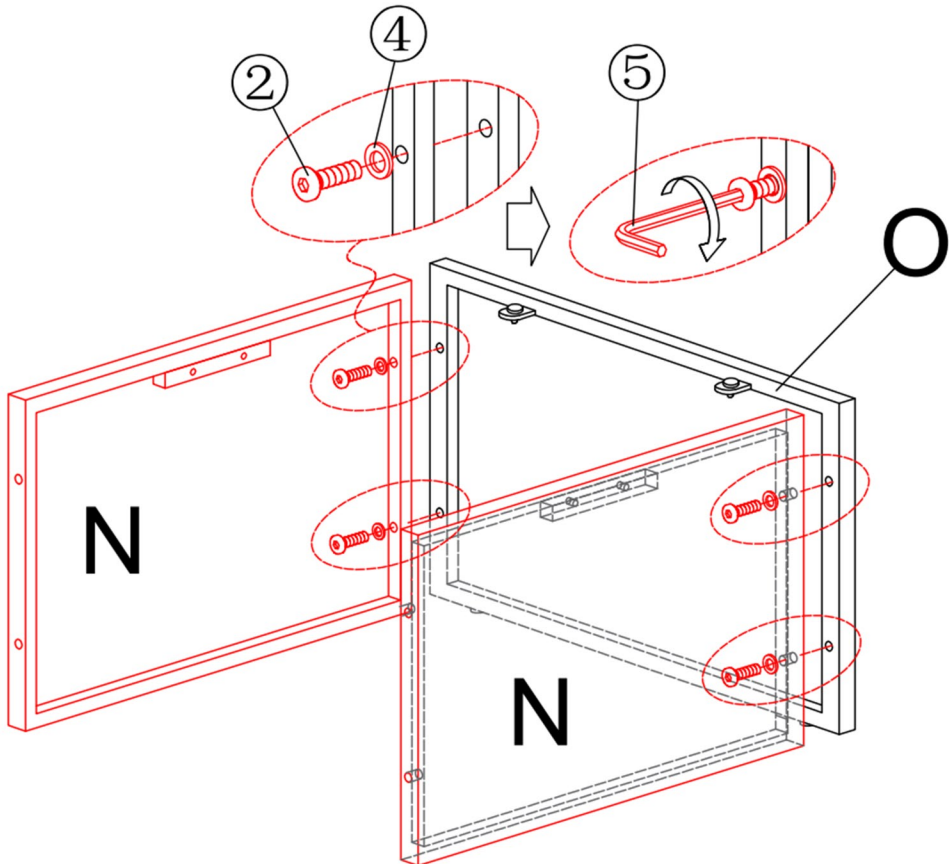
Allen key

step 16 –Side Boards Connection

Align the pre-drilled holes on both side boards (O) and side boards (N) as shown, use the allen wrench provided to tighten the bolts and flat washers inside the frame.



First add one flat washer on each bolt as shown, use the allen wrench provided to tighten all the bolts by 30-50% first, make sure that all bolts are aligned correctly before fully tightening.

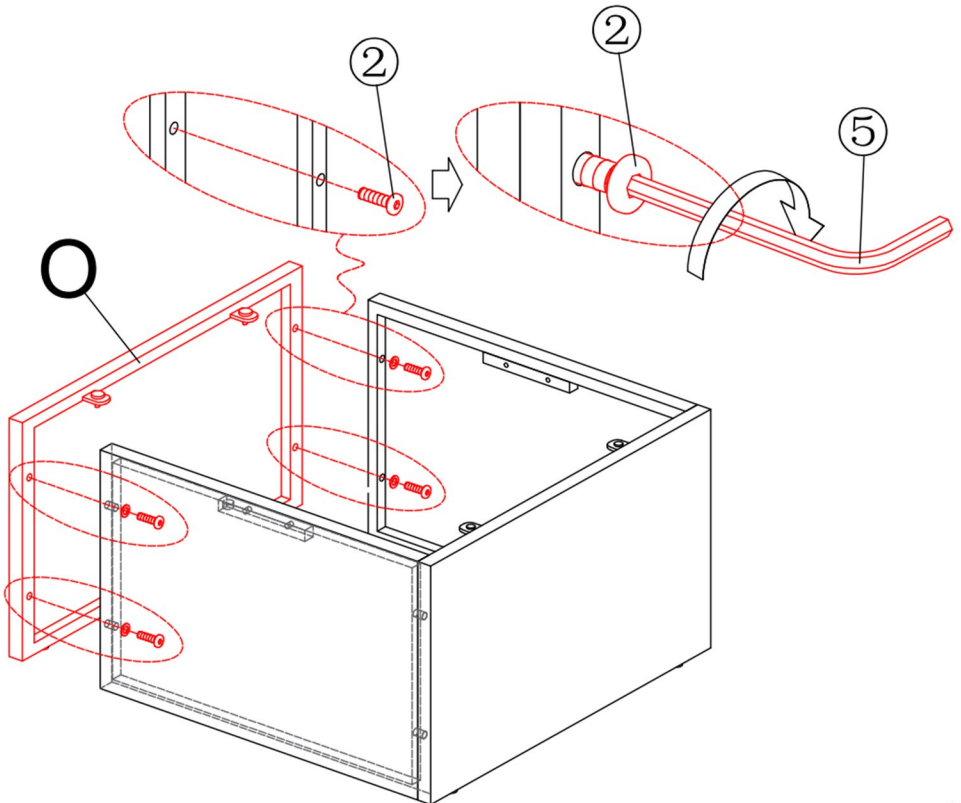


step 17 –Side Boards Connection

Align the pre-drilled holes on both side boards (O) and side boards (N) as shown, use the allen wrench provided to tighten the bolts and flat washers inside the frame.




First add one flat washer on each bolt as shown, use the allen wrench provided to tighten all the bolts by 30-50% first, make sure that all bolts are aligned correctly before fully tightening.

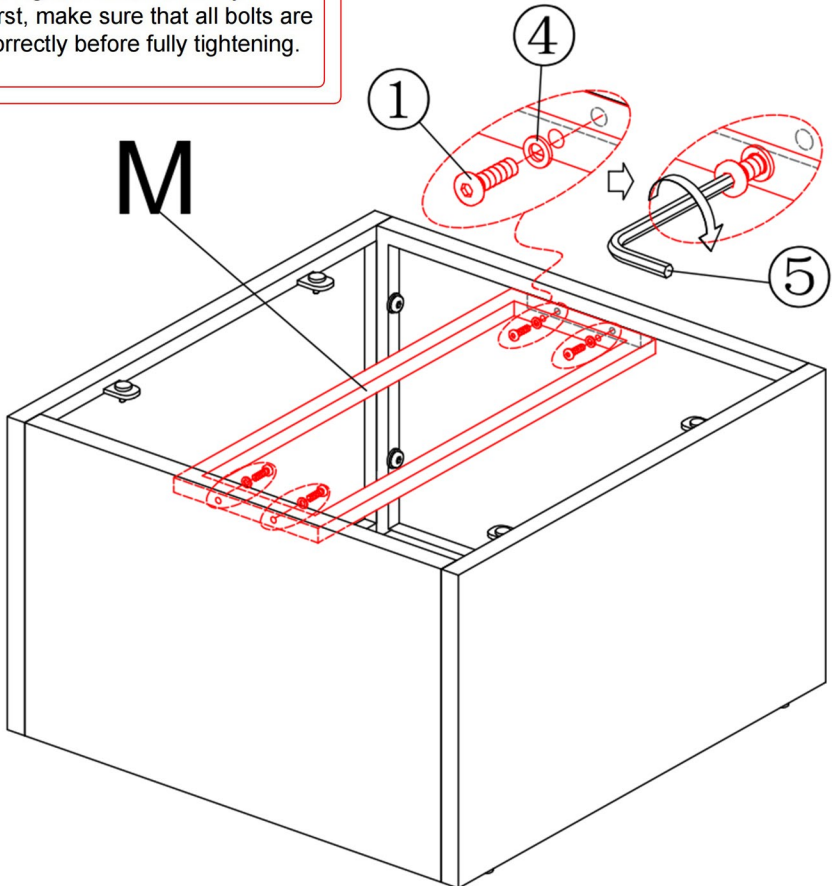


step 18 –Table Frame to the Assembled Parts

Place the frame on top of the assembled parts as shown, then align the pre-drilled bolt holes with the side boards (N), use the allen wrench provided to tighten the bolts and flat washers

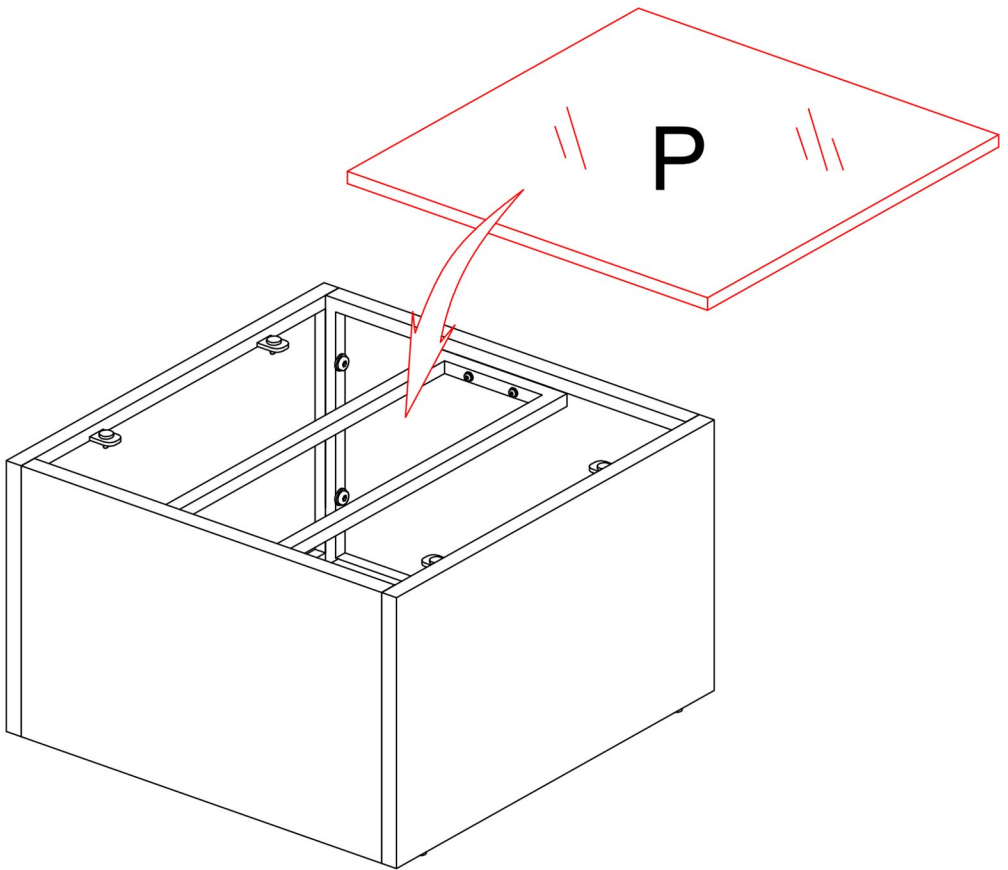


First add one flat washer on each bolt as shown, use the allen wrench provided to tighten all the bolts by 30-50% first, make sure that all bolts are aligned correctly before fully tightening.

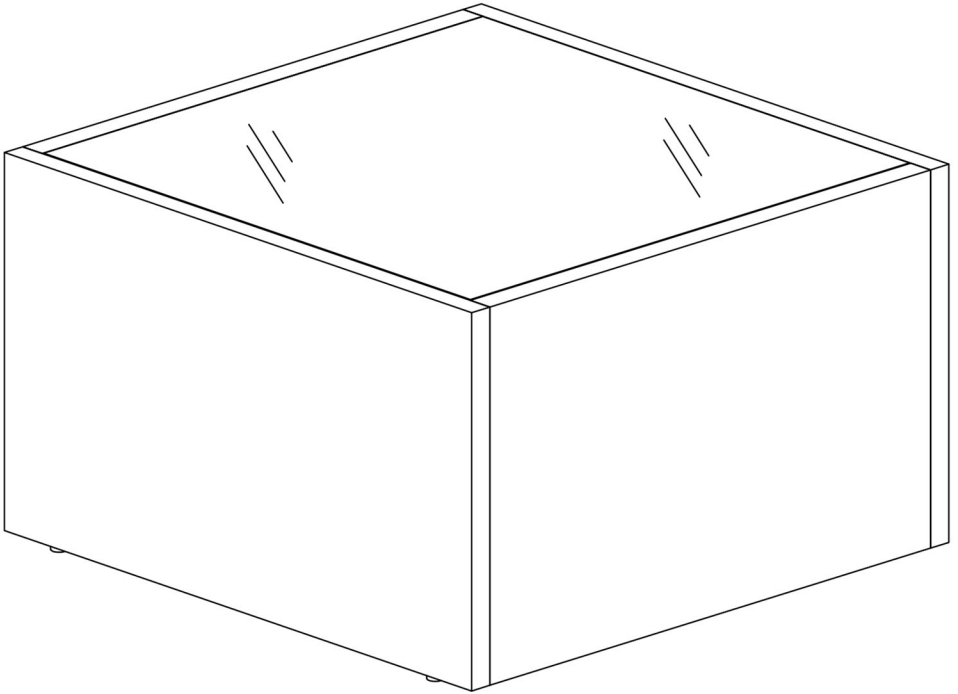


step 19 –Glass Table Top

Place the glass table top (P) on the frame as shown, be careful with the fragile top.

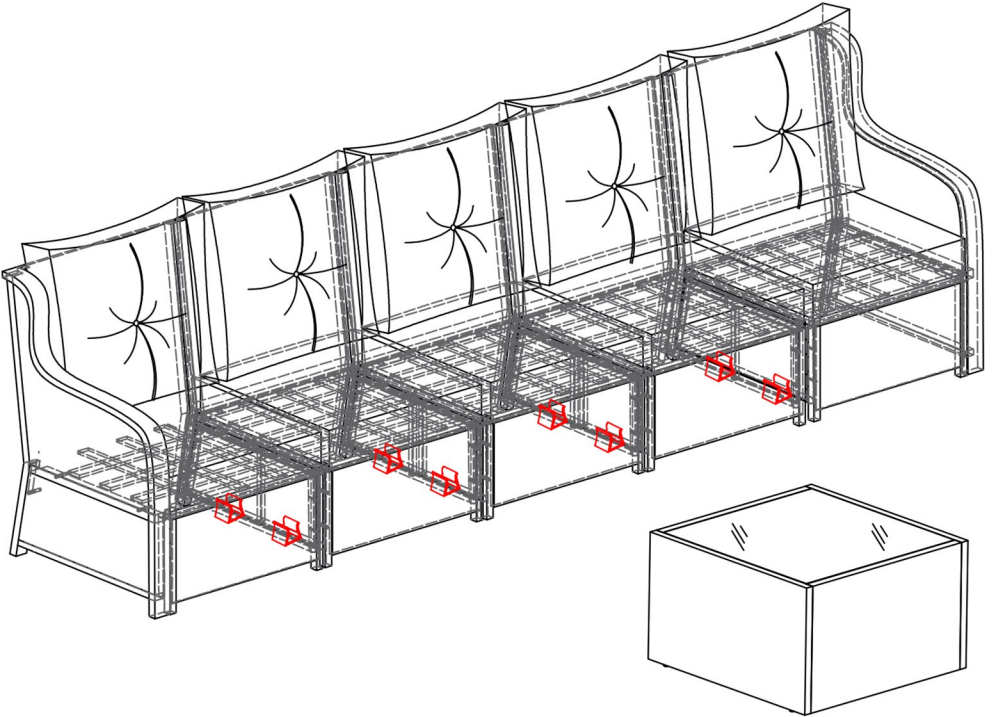


step 20



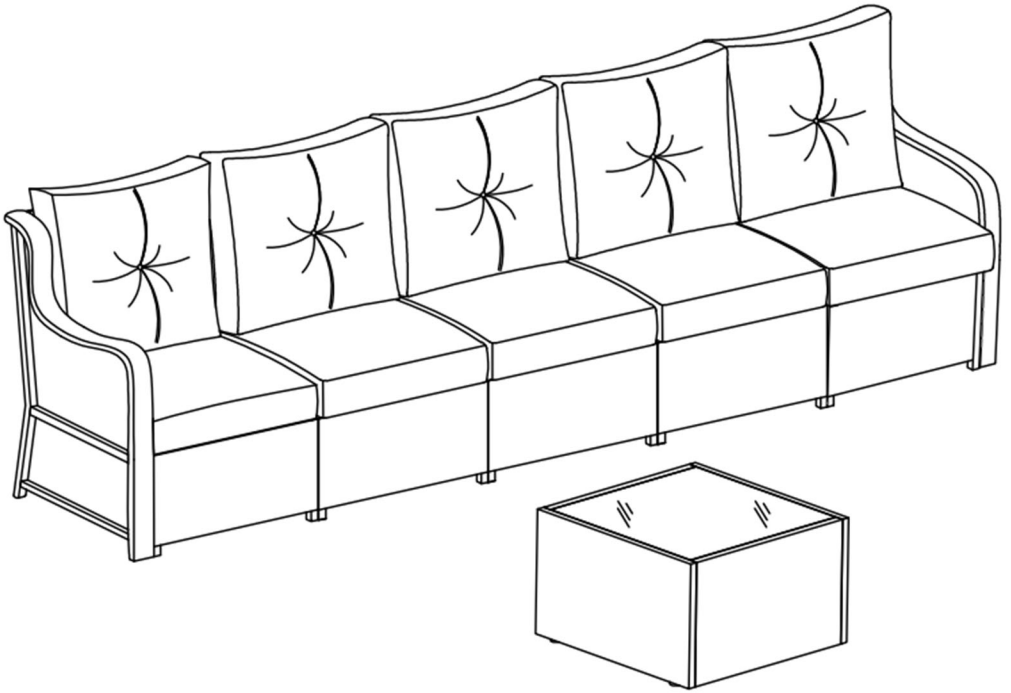
step 21

The metal connectors inside the package are used to fix the chairs together, simply clip the connectors onto the edge of the chair frames as shown.



step 22

Congratulation! you have complete the assembly, now it's all yours. thank you for reading!



step 23

