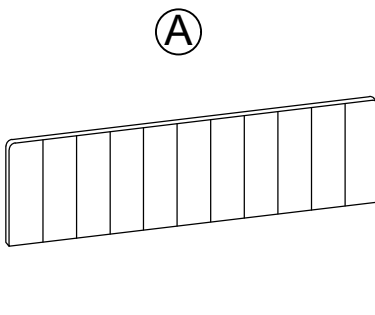
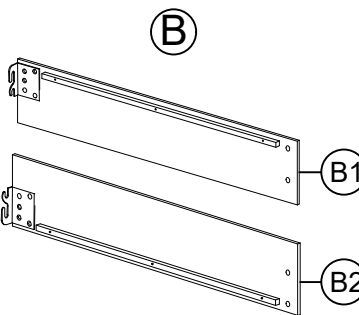
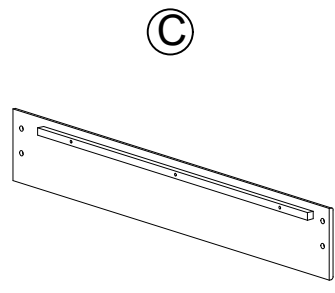
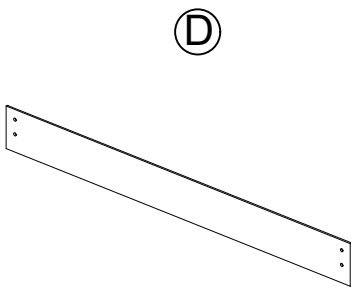
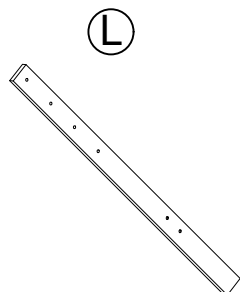
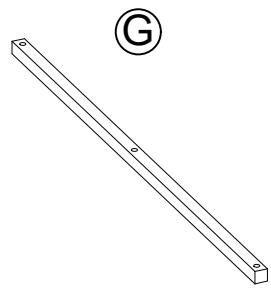
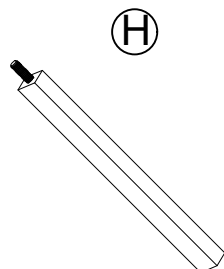
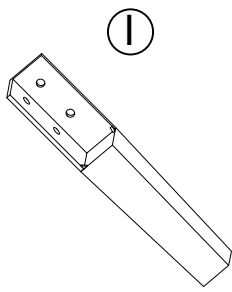
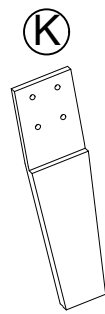


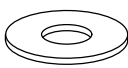



Instruction Manual

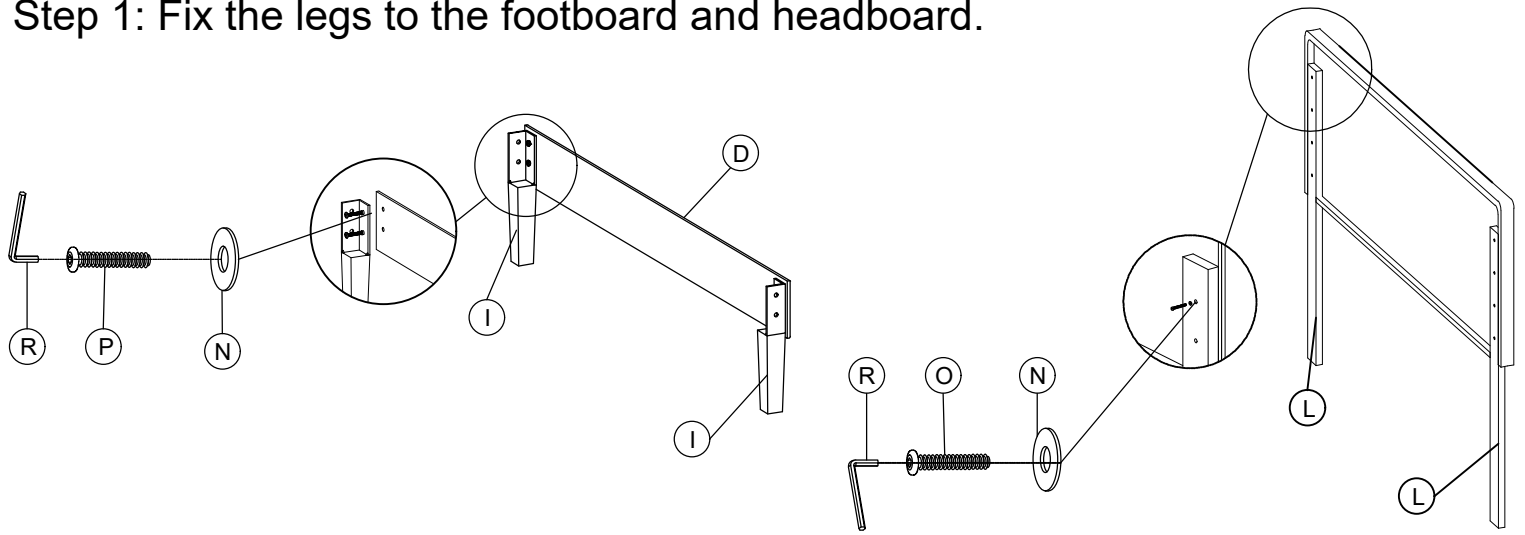
If you encounter any problems related to the product, please feel free to contact our after-sales team. We will do our best to provide you with the best solutions.

			
Bed headboard 1 pcs	Bed side panel (L/R)	Bed side panel 2 pcs	Footboard 1 pcs
			
Legs for the headboard 2 pcs	Bed slat with holes 2 set	Bed slat support rail 4 pcs	Bed slat support legs 12 pcs
			
Legs for the footboard 2pcs	Middle leg of the bed 2 pcs		

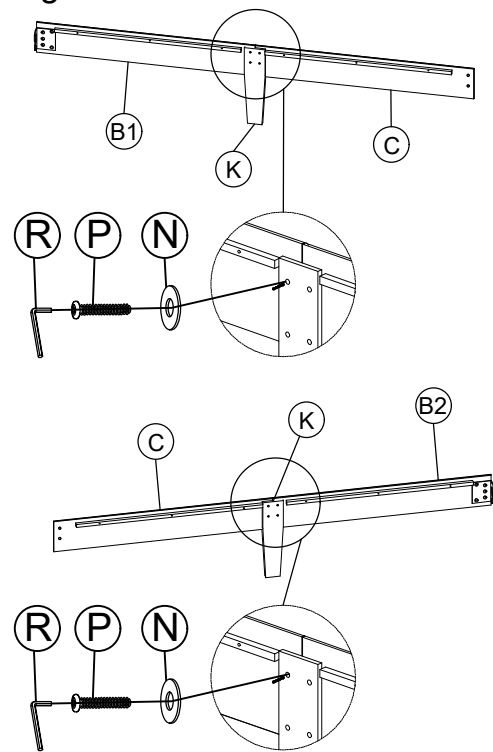
HARDWARELIST

NO.	Drawing	Description	Qty
O		Screw(M8x40mm)	8pcs
P		Screw(M8x25mm)	20pcs
N		Gasket(M8x19mm)	28pcs
R		Allen key (4mm)	1pcs

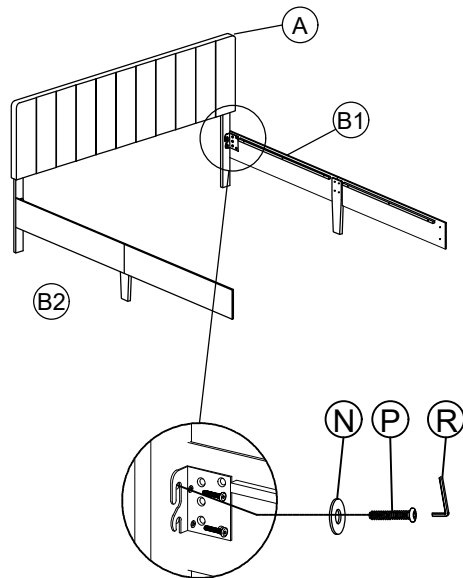
Step 1: Fix the legs to the footboard and headboard.



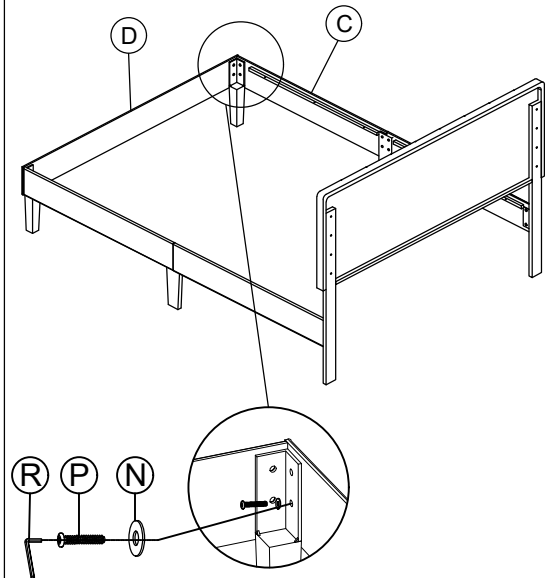
Step 2: Connect the bed side panel together with the middle leg ks.



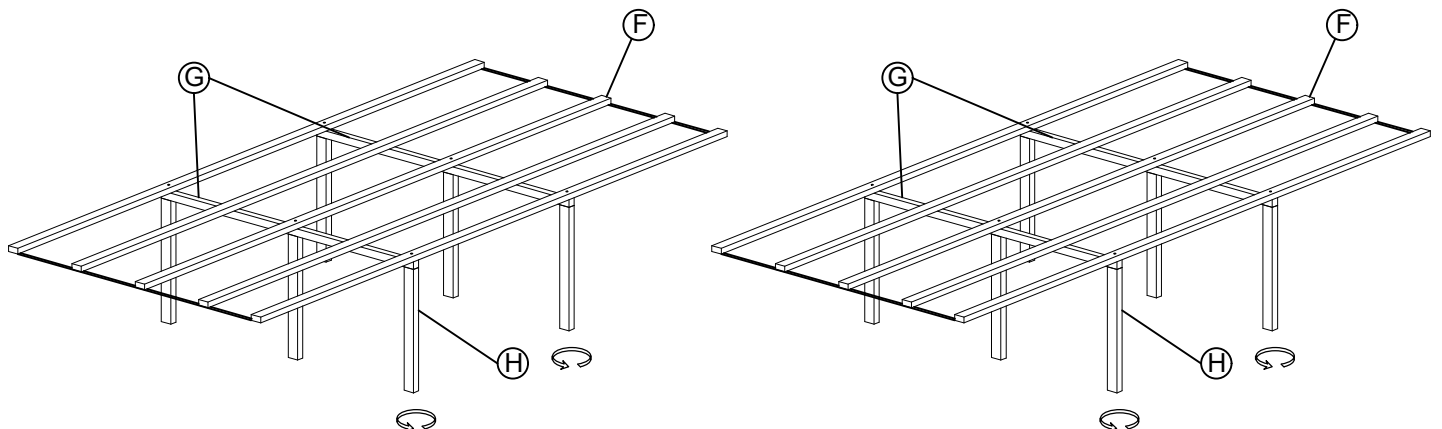
Step 3: Attach the bed slat to the headboard and tighten.



Step 4: Fix the legs of the footboard to the bed slat.



Step 5: Fix the bed slat to the bed support rail and the bed slat support legs.



Step 6: Put the bed slat sets on bed frame and the assembly is completed.

