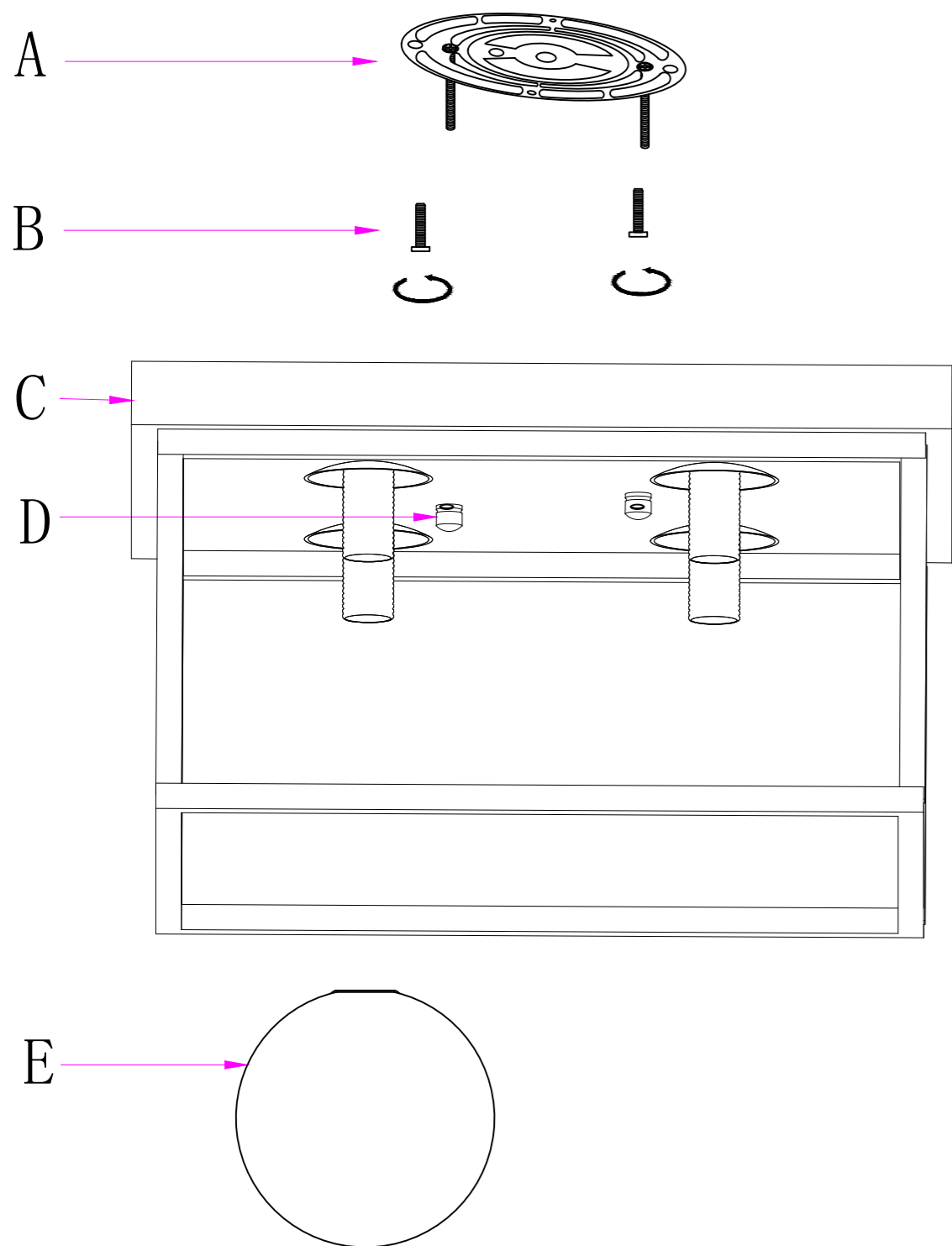


Installation Instruction

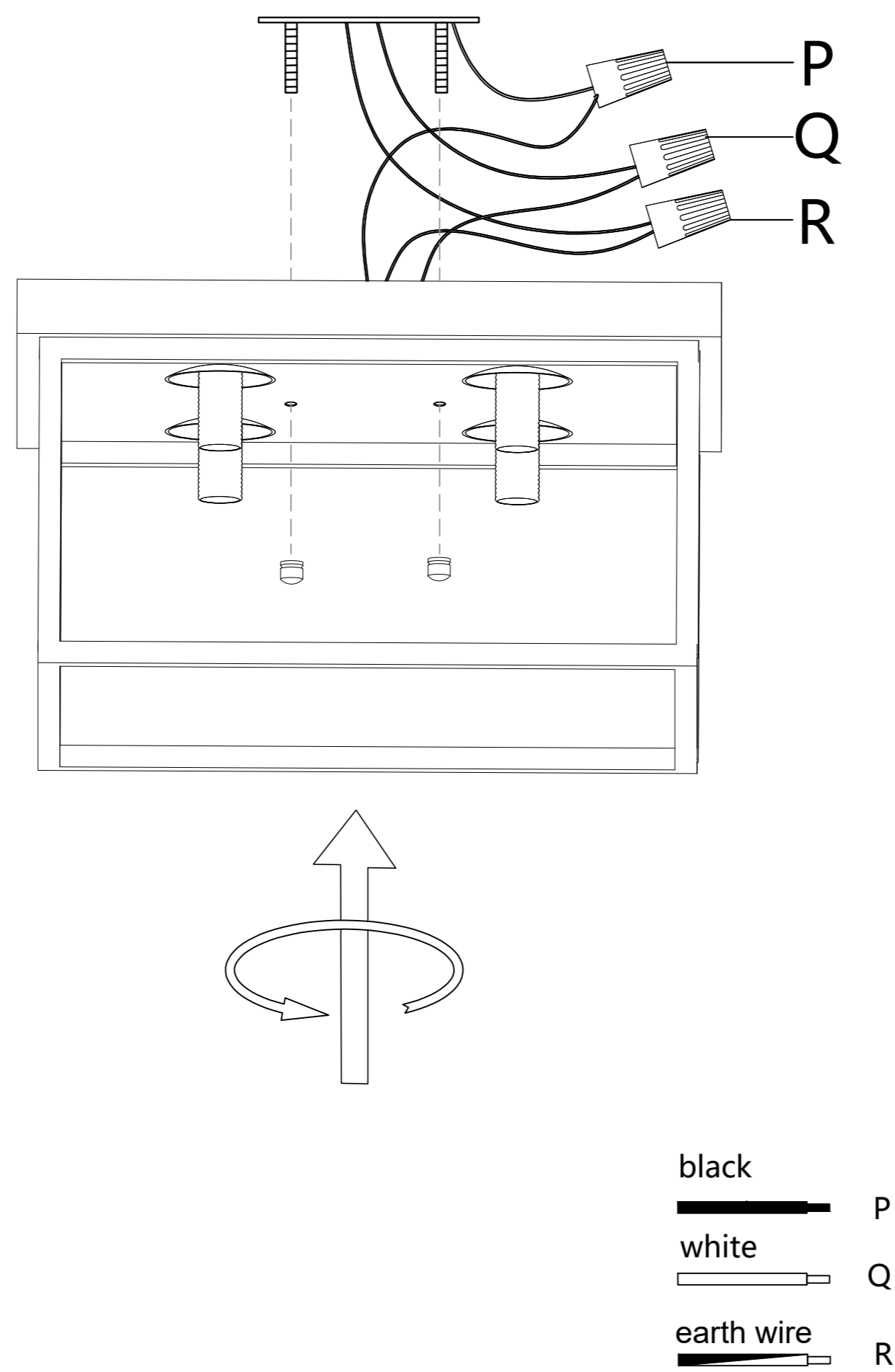
Part List and Hardware List

PIECE	PICTURE	DESCRIPTION	QUANTITY	PIECE	PICTURE	DESCRIPTION	QUANTITY
A		Hanging Plate	1X				
B		Self-tapping Screw	2X				
C		Lamp body	1X				
D		M4 nut	2X				
E		glass lampshade	4X	O		Wire connector	3X
			1X	P		Wire	1X
			X	Q		Wire	1X
			X	R		earth wire	1X

1



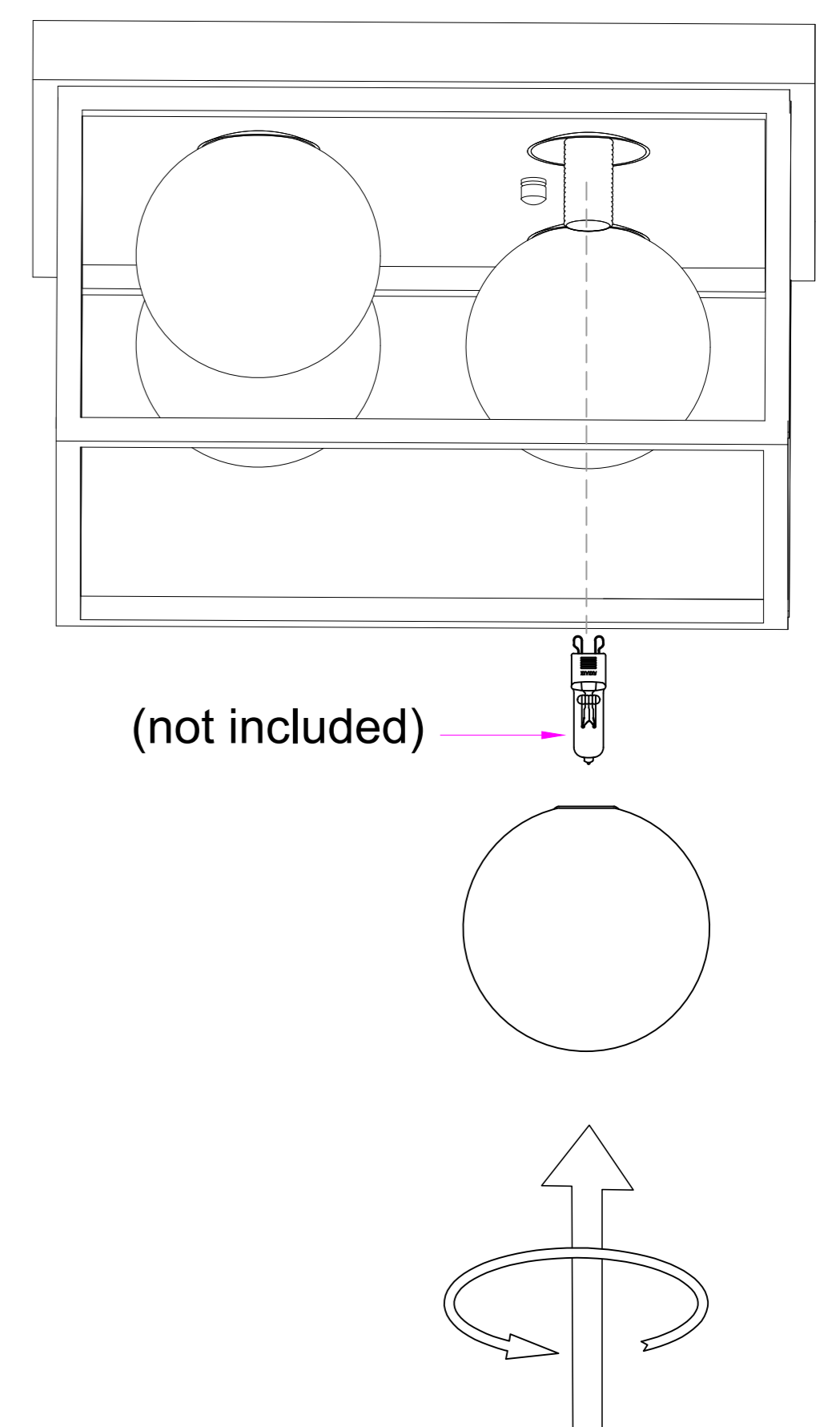
2



Step 2:

1. Connect the wires and your home wires to the (O) wire connector (black to black, white to white, earth to earth).
2. Use (D) M4 nuts to fix the (C) lamp body on the ceiling.

3



Step 3:

1. Finally, install the G9 light bulb (not included) and glass lampshade (E) to complete the installation.

Step 1:

1. Use (B) self-tapping screws to fix the (A) hanging plate on the ceiling.