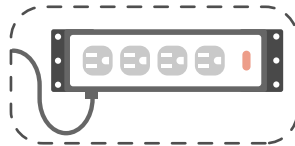
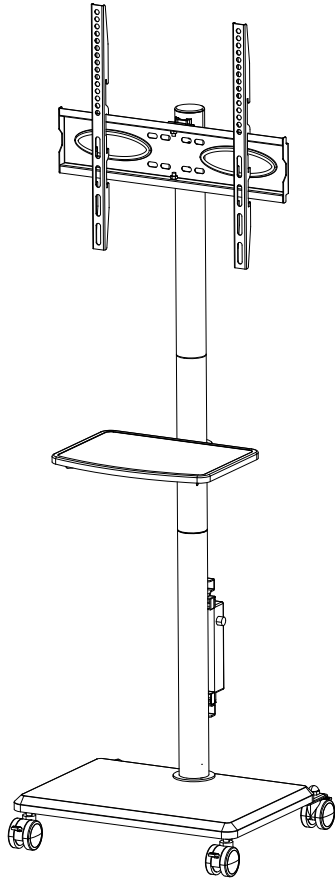


INSTALLATION NOTE MANUAL

Model No. **DTF1405**
DTF1405OAK

Series No. **SH-2503A**



CUSTOMER SERVICE SUPPORTS

CONTINENTS

North America
US CA MX

Europe
UK DE FR IT ES

Asia
JP CN IN

CONTACT DETAILS

1 626 400 2997
(CST 8AM - 5PM Mon.-Fri.)

MAILBOX

cs@rfiver.com

eucs@rfiver.com

jpcs@rfiver.com

TV Weight Limit:
DO NOT EXCEED



THANK YOU FOR PURCHASING

SERVICE CARD

We strive to make sure each piece of furniture you receive is perfect and that all parts and hardware in the parts list are included in your package.

However, if there are any missing or damaged parts, please do not return your product to the place of purchase. Instead, please contact us. We will do our best to solve your problem and send the replacement parts to you as soon as possible from our local customer service center.

- **Please have the following information ready when you contact us. Your detailed information will help us to bring you much more effective service. Thank you for understanding.**

1. **Order ID.** - Found in your order details of the online shopping platform you used when purchasing
2. **Model No.** - Found in the upper right corner of the manual cover, or use the SKU no. in the order details
3. **Series No.** - Found in the upper right corner of the manual cover
4. **Place of Purchase/Shipping Platform:** Amazon, Walmart, etc.
5. **Statement of the Problem:** Please advise us specifically of the problem you are encountering so that we can offer correct solutions.

NOTICE



Please read this assembly manual carefully and make sure you have all the parts in the list before you begin to install. Meanwhile, please keep this assembly manual for future reference.



Please move the furniture gently with **2** persons.



Please protect the furniture by placing all parts on a soft surface during assembly.



Please don't place very warm/cold objects on top of any surface, clean immediately with microfiber cleaning cloths/towels if any liquids are left on the surface. Never use multi-surface furniture polish spray or cleaner. Do not touch the surface with a hard/sharp object that may cause scratches or broken.



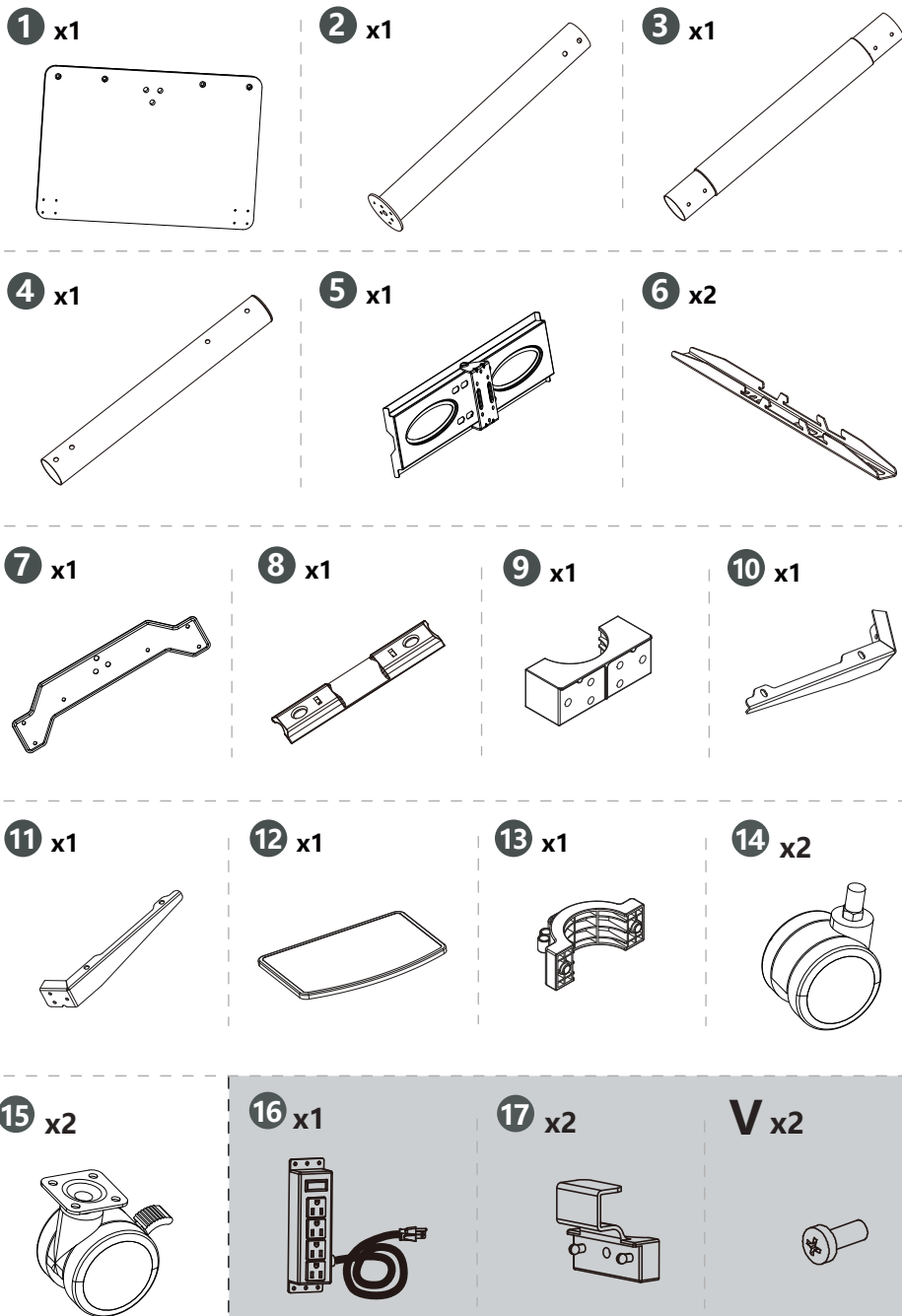
Adult supervision required.
Keep little parts of furniture far away from the children.

Do not allow children to climb onto the furniture. Improper use or incorrect assembly may cause death or serious injury. Use extra safety straps to ensure the best tip-over protection.

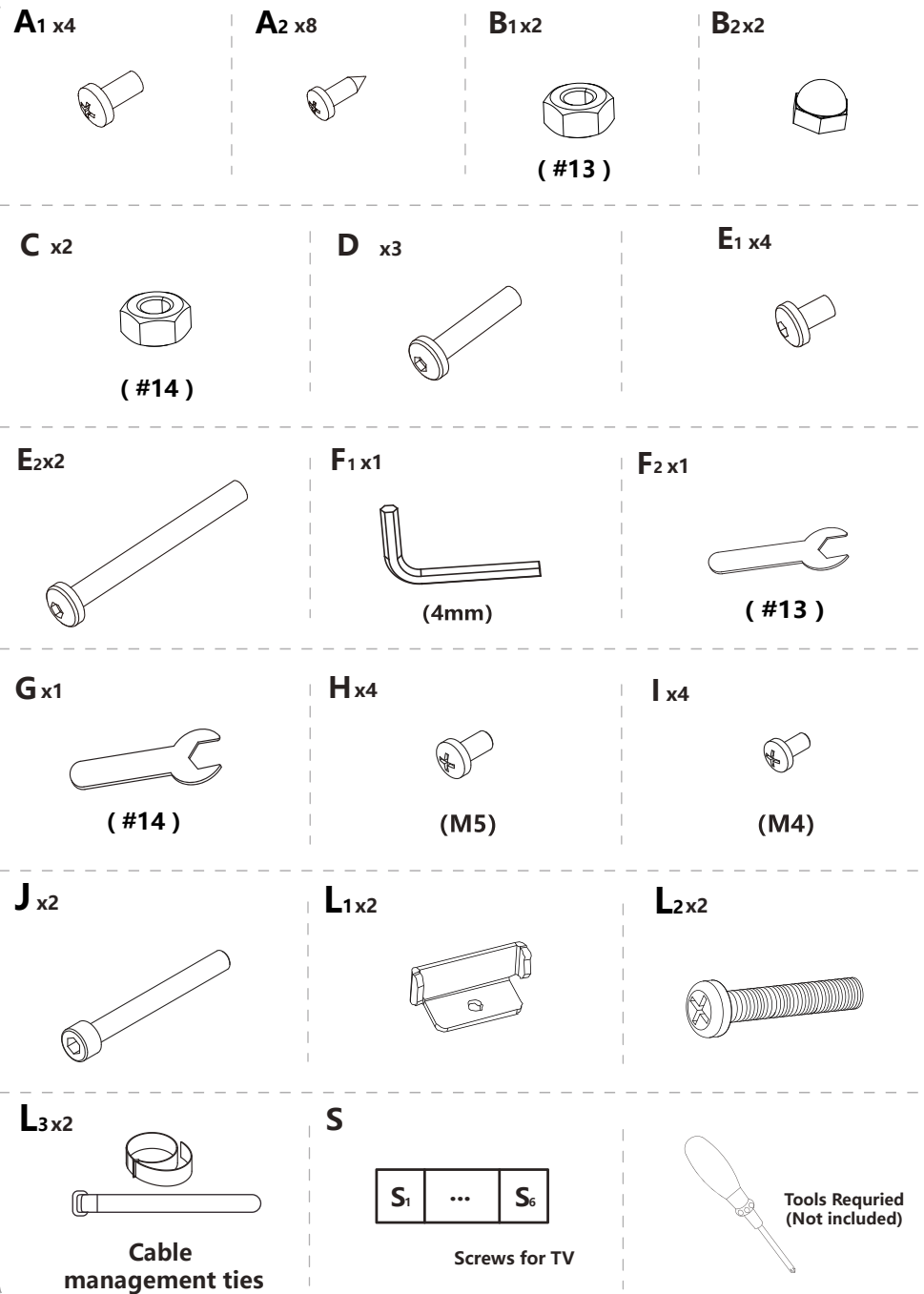
Do not use this product for any purpose or in any configuration not explicitly specified in this instruction.

We hereby disclaim any liability for injury or damage arising from incorrect assembly, incorrect mounting, or incorrect use of this product.

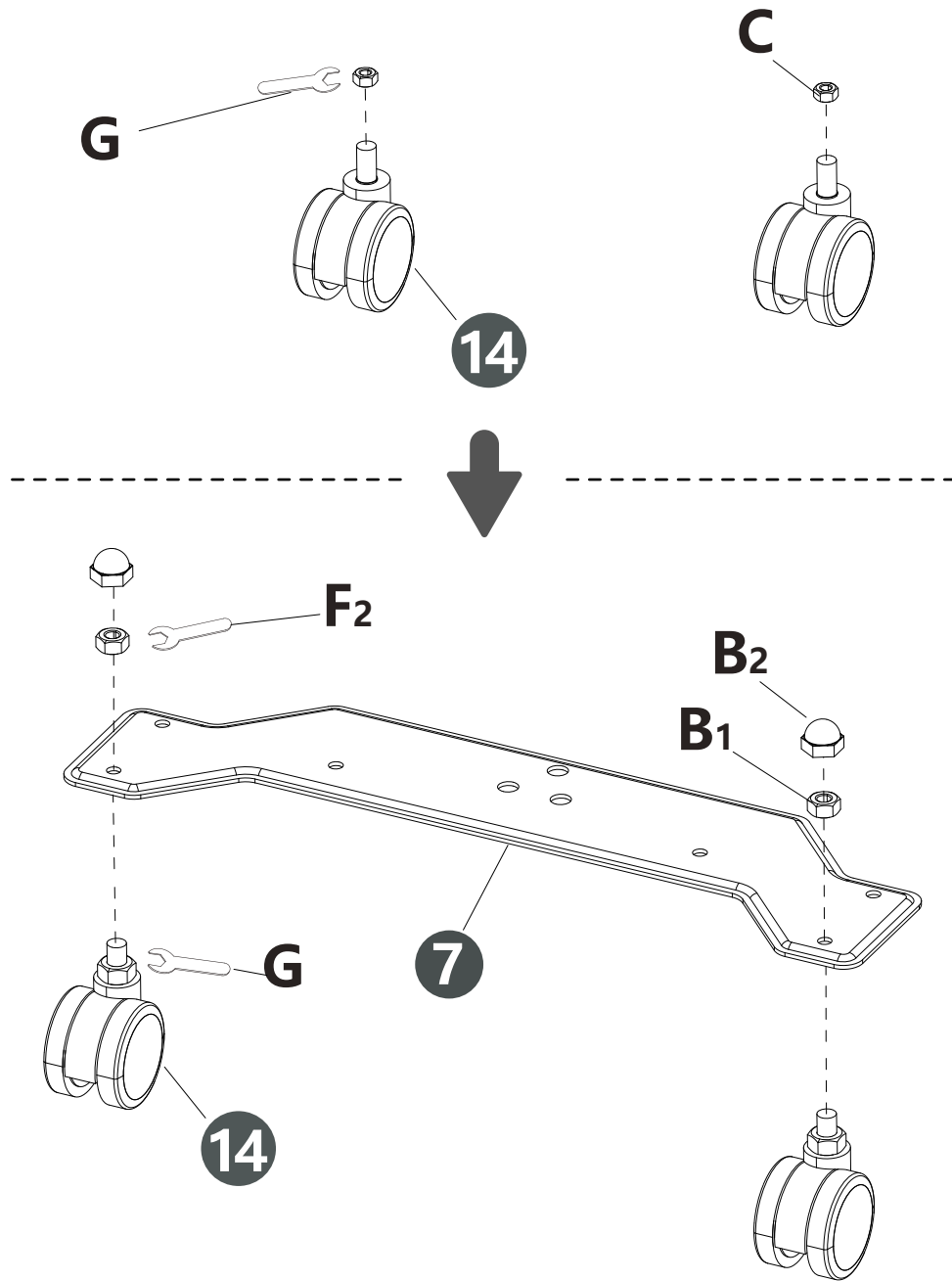
PARTS LIST



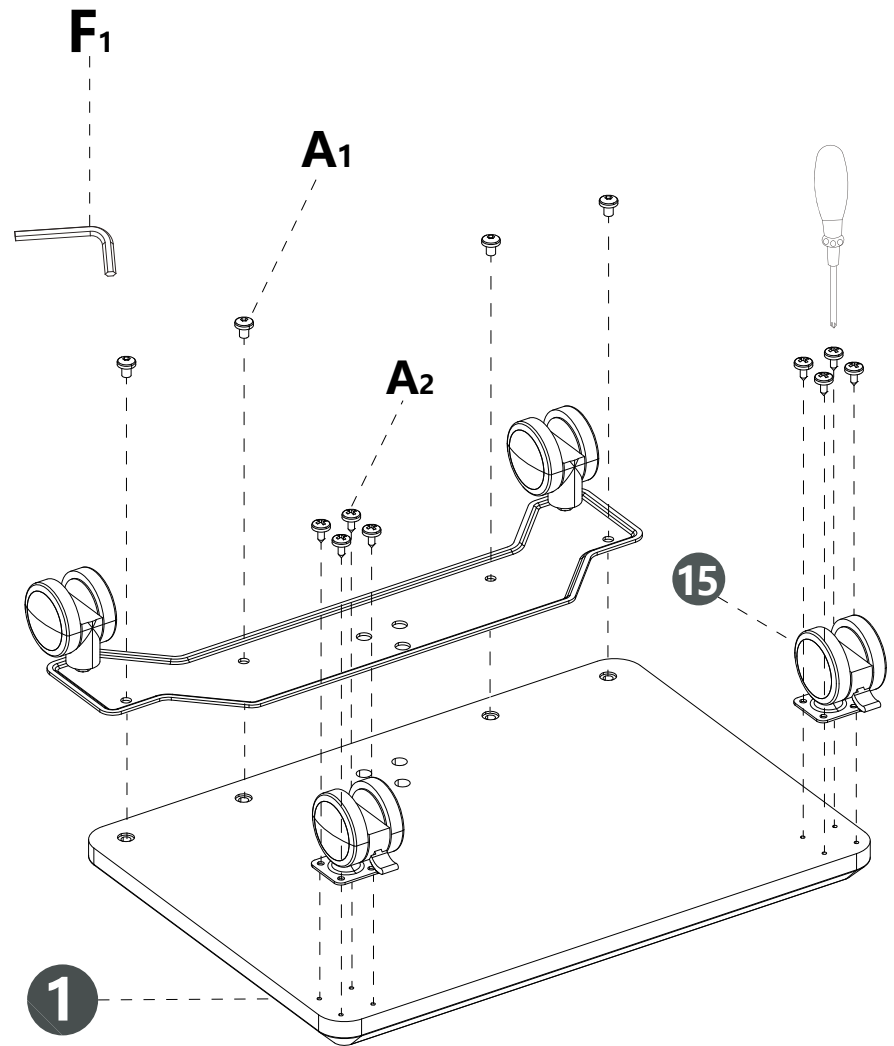
PARTS LIST



- 1**
- | | | | |
|--------------|--------------|--------------|-------------|
| 7 x1 | 14 x2 | B1 x2 | C x2 |
| | | | |
| B2 x2 | F2 x1 | G x1 | |
| | | | |

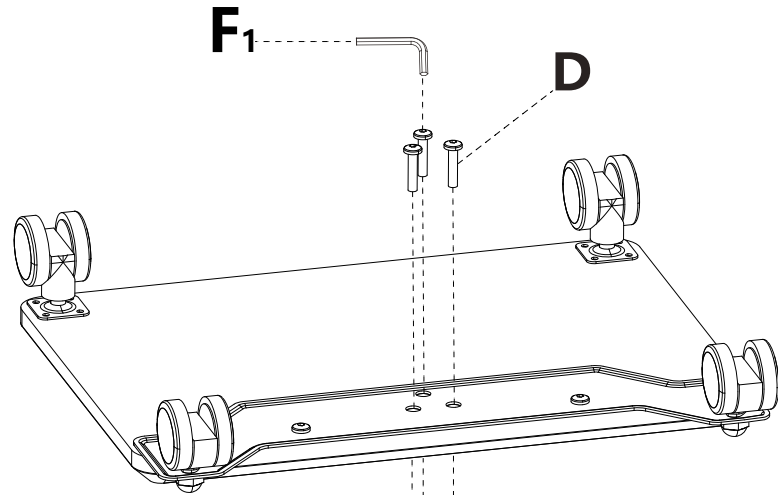


- 2**
- | | | |
|--------------|--------------|--------------|
| 1 x1 | 15 x2 | A1 x4 |
| | | |
| A2 x8 | F1 x1 | |
| | | |

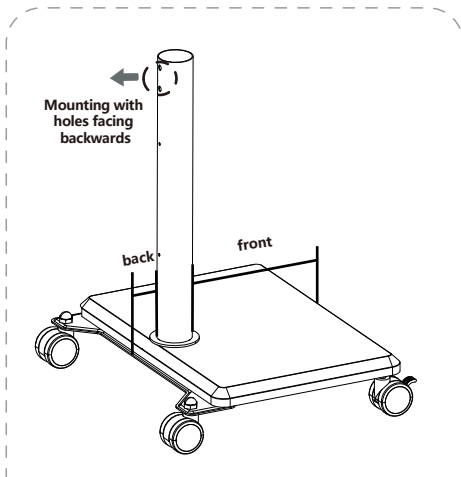


3

- 2 x1
- D x3
- F₁ x1

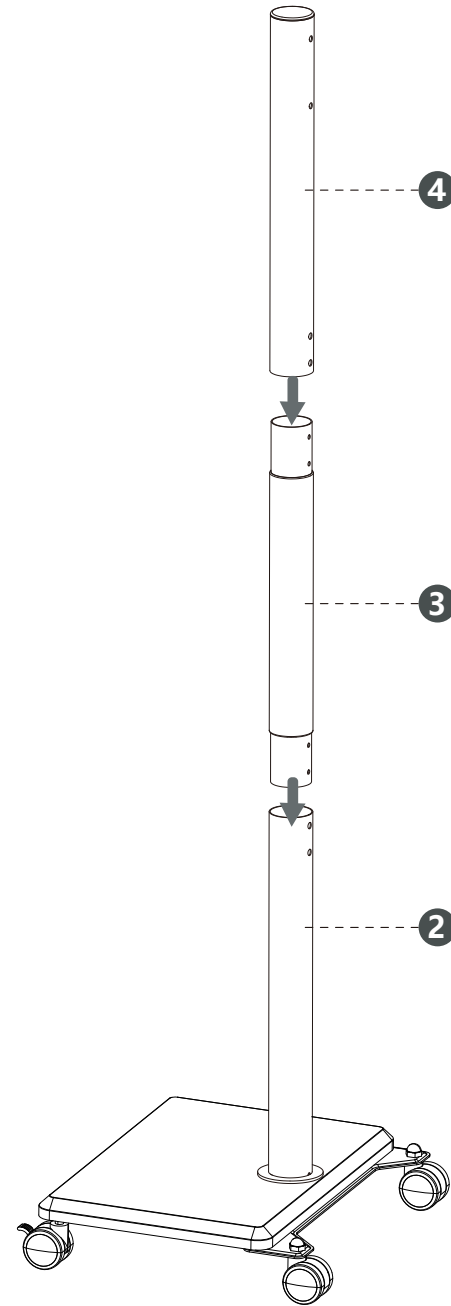


2

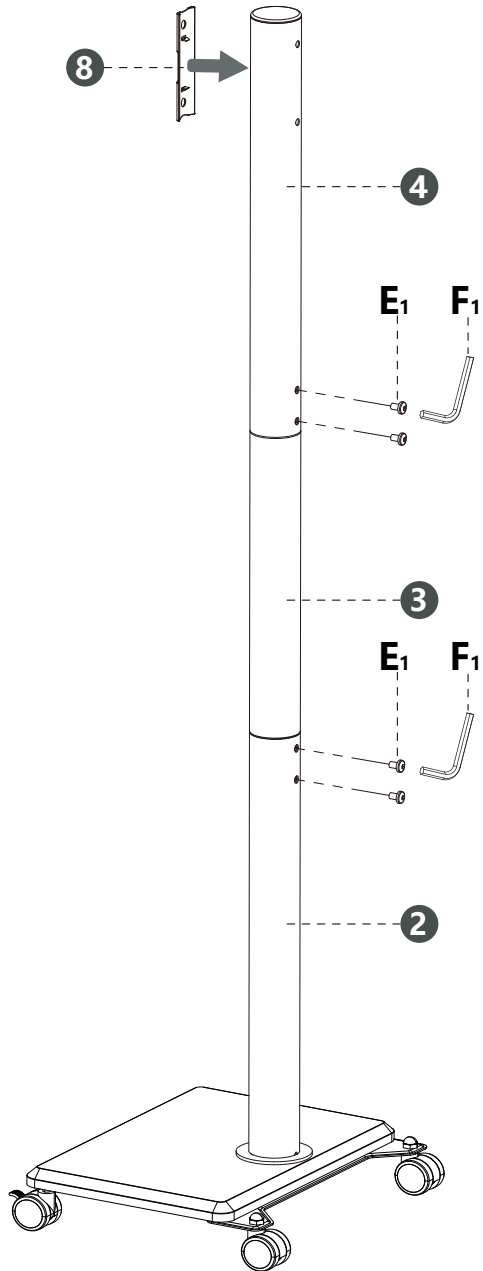


4

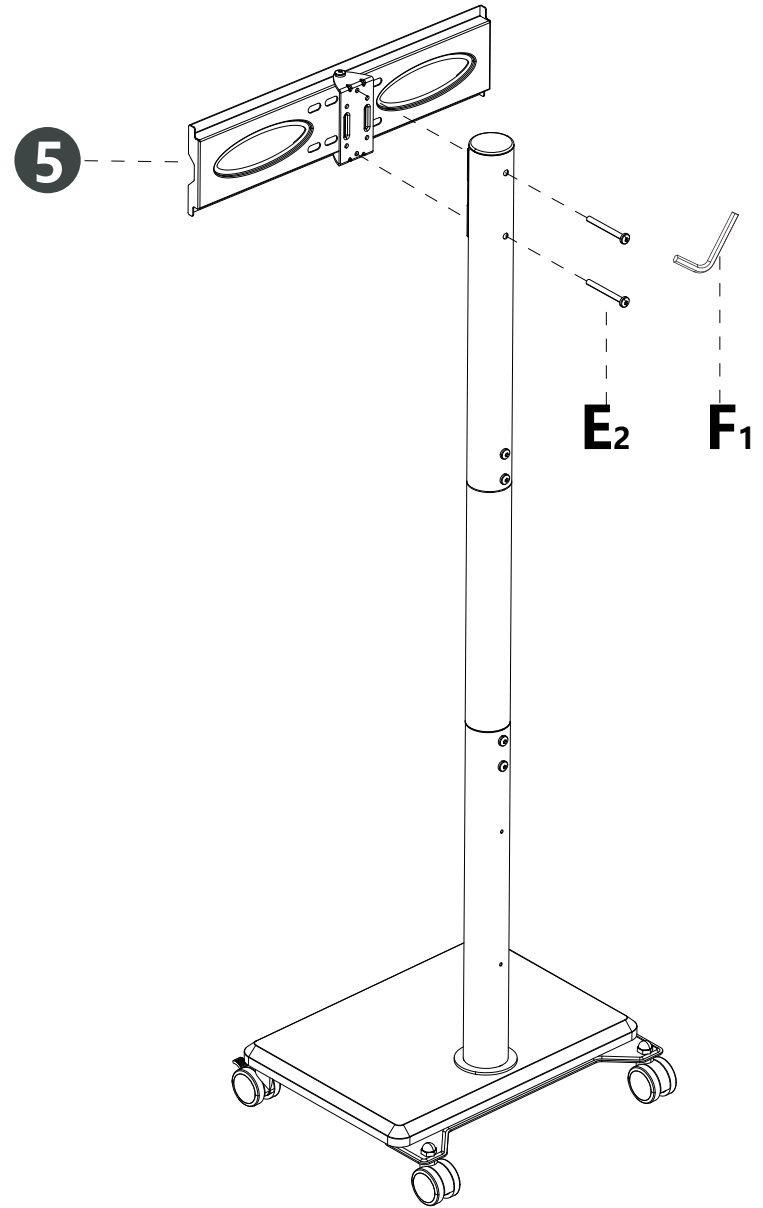
- 3 x1
- 4 x1



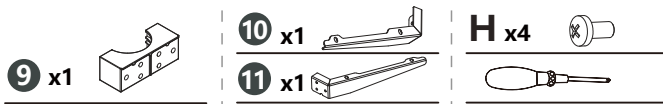
5



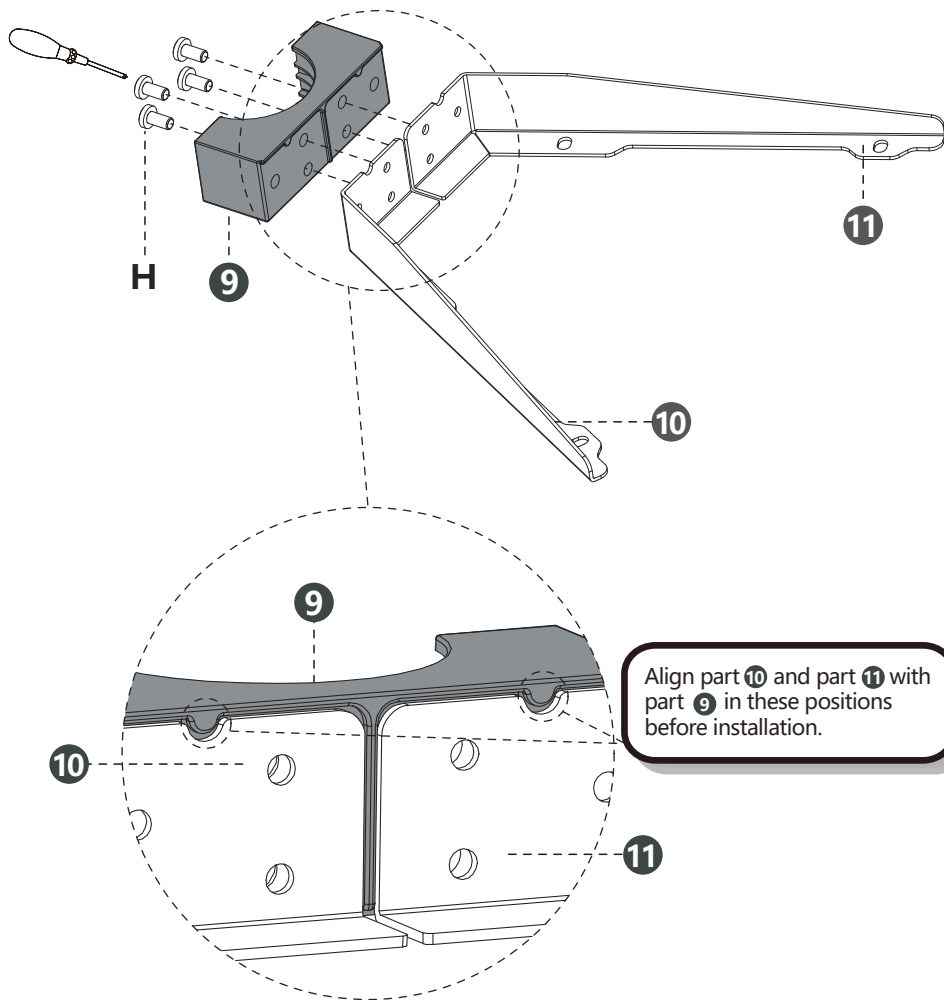
6



7



Install part **10** and part **11** onto the flat surface of part **9** with screw **H**.

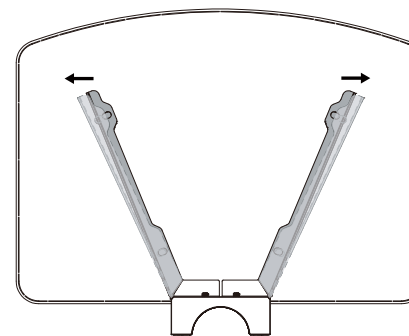
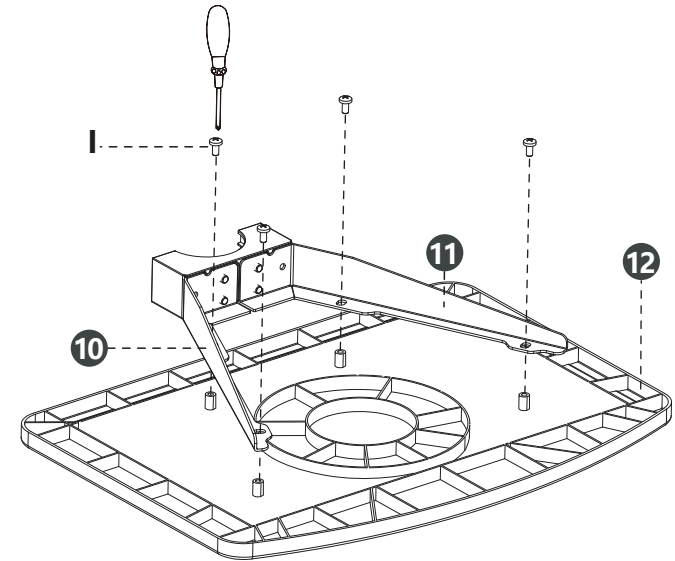


Align part **10** and part **11** with part **9** in these positions before installation.

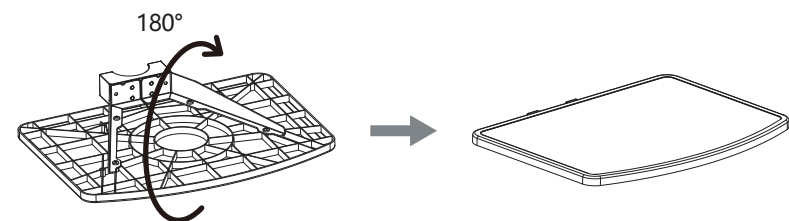
8



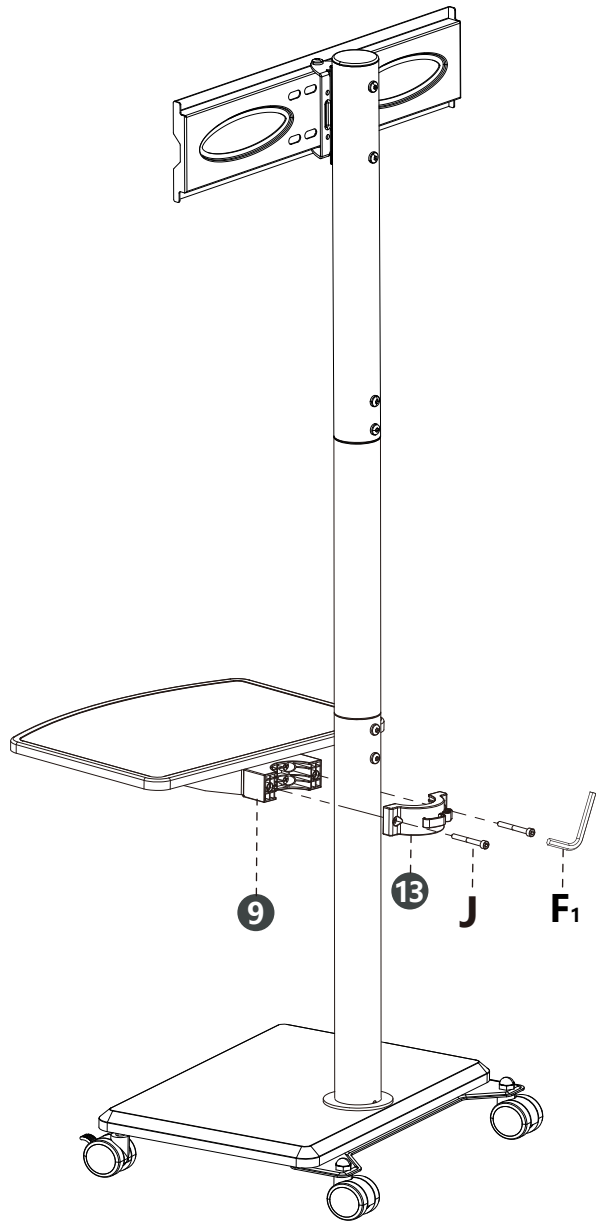
1. Install part **10** and part **11** with bottom of part **12** with screw **I**.
2. Flip the assembled parts in previous step, so that it faces up.



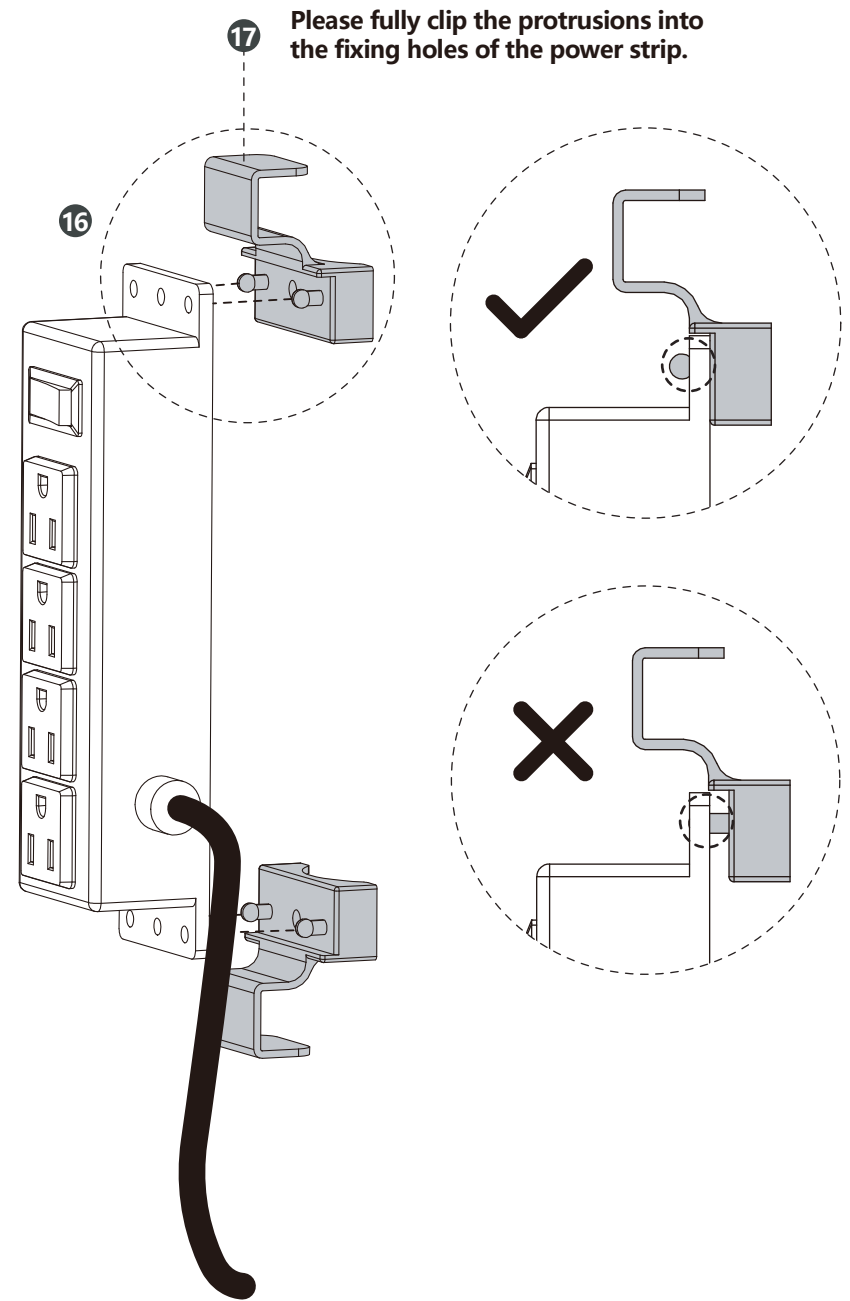
If the holes are not aligned during the installation, gently twist part **10** / **11** to align the holes on part **12** before installing screws.



9

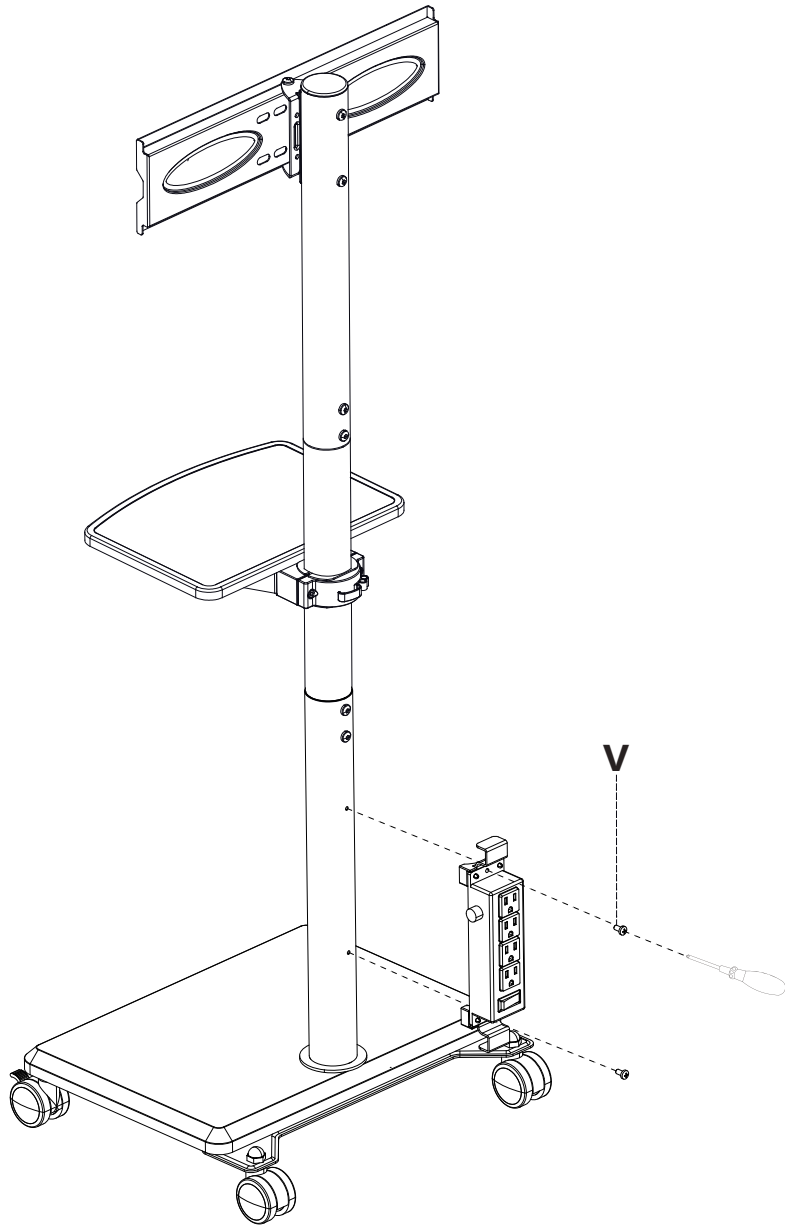


10



11

V x2 



12

S1 x4



M4x14



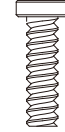
M4x30

S2 x4



M6x12

S3 x4



M6x35

S4 x4



M8x35

S5 x4



S6

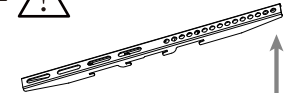


x4



x8

6 x2



The round hole is on the top

STEP 1

Select TV Screw Diameter

Please make sure the diameter of the screw S1-S4 are suitable for your TV.



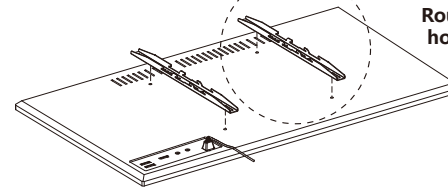
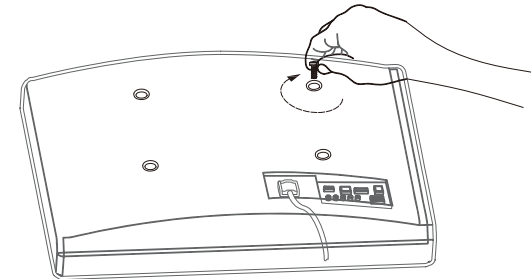
M4



M6



M8



Round holes

6

The round hole is on the top.

STEP 2

Measure VESA For Your TV

1. What does the VESA standard mean?

The VESA standard is a standard for attaching flat screens / LCD / monitors / televisions to monitor mounts or TV mounts.

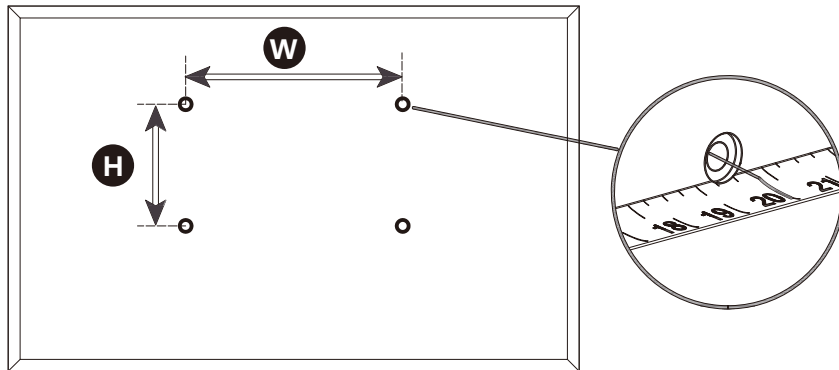
Prerequisite is that both the monitor / TV and the monitor mount have the same VESA standard.

2. Look at the back of your TV/monitor for threaded holes.

Measure the horizontal distance **W** and vertical distance **H** of the screw holes (center to center).

W x **H** should comply with the VESA standard of TV stand listed in below sheet.

Notice: If the TV/monitor is not compatible with VESA, it can still be attached to the desired bracket by using VESA Adapters(not included and should be purchased separately).



TV

Units: mm

W	x	H	
100	x	100	<input checked="" type="checkbox"/>
200	x	100	<input checked="" type="checkbox"/>
200	x	200	<input checked="" type="checkbox"/>
300	x	200	<input checked="" type="checkbox"/>
300	x	300	<input checked="" type="checkbox"/>
400	x	300	<input checked="" type="checkbox"/>
400	x	200	<input checked="" type="checkbox"/>
400	x	400	<input checked="" type="checkbox"/>

Units: inch

W	x	H	
4.0	x	4.0	<input checked="" type="checkbox"/>
7.9	x	4.0	<input checked="" type="checkbox"/>
7.9	x	7.9	<input checked="" type="checkbox"/>
11.8	x	7.9	<input checked="" type="checkbox"/>
11.8	x	11.8	<input checked="" type="checkbox"/>
15.7	x	11.8	<input checked="" type="checkbox"/>
15.7	x	7.9	<input checked="" type="checkbox"/>
15.7	x	15.7	<input checked="" type="checkbox"/>

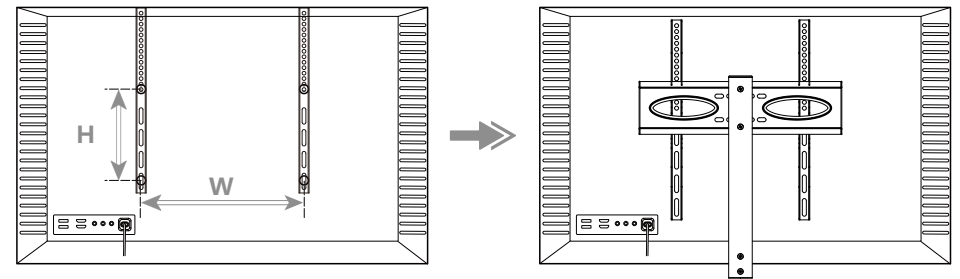
VESA standard of TV STAND

STEP 3

Holes Selection of Brackets

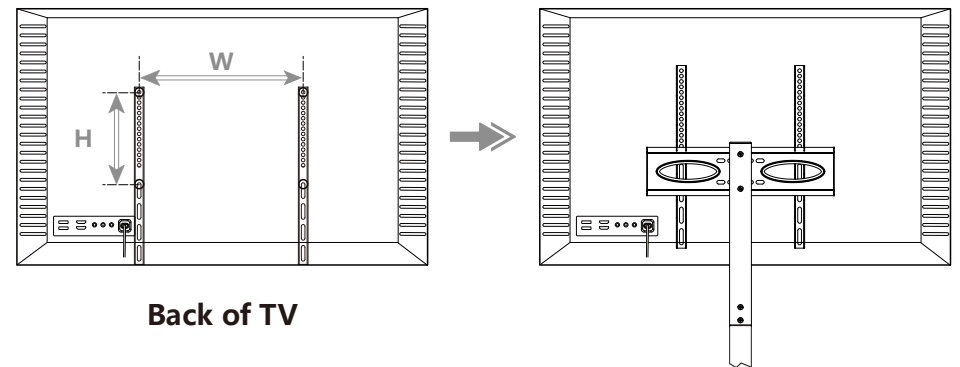
When **H** is shorter than 400mm, different TV heights can be set based on bracket hole positions, as shown in the following figure.

Choose the lower holes to lower the TV height



Back of TV

Choose the upper holes to higher the TV height

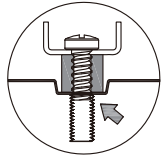


Back of TV

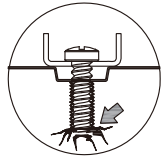
STEP 4

Select TV Screw Length

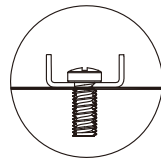
When attaching brackets to the TV, be careful not to over tighten screws and be sure that screws don't bottom out in the mounting holes. Please make sure the length of thread engagement at least 6 turns or 5/16 inch (8mm).



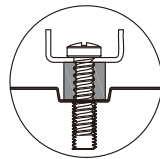
⊗ Too Short



⊗ Too long



✓ Correct

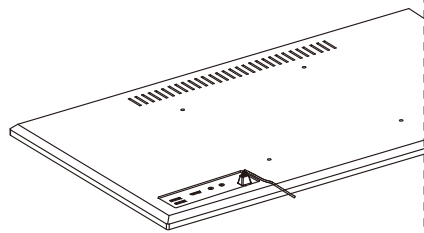


✓ Correct

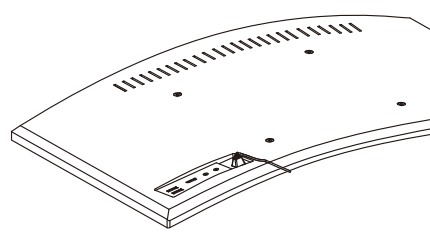
STEP 5

Select installation method according to TV

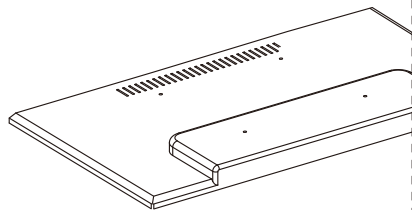
⚠ Please confirm the style of the TV backplane before installation and select the corresponding installation method



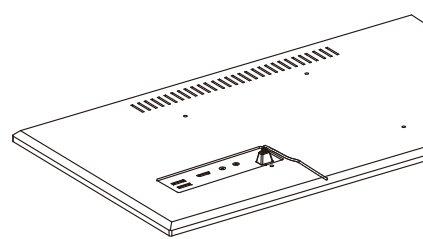
For flat back TV,
please choose "Option 1"



For round back TV or Curved TV,
please choose "Option 2"



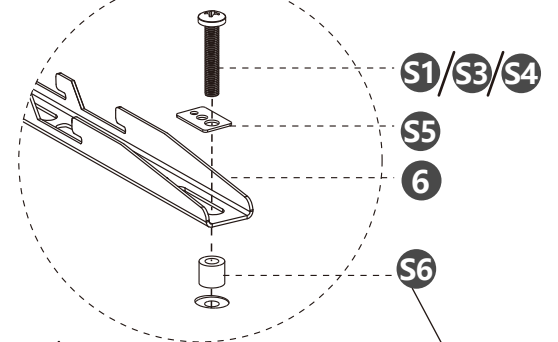
For TV with A "Bump",
please choose "Option 3"



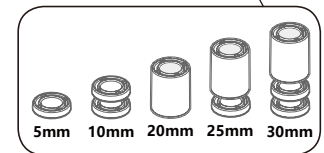
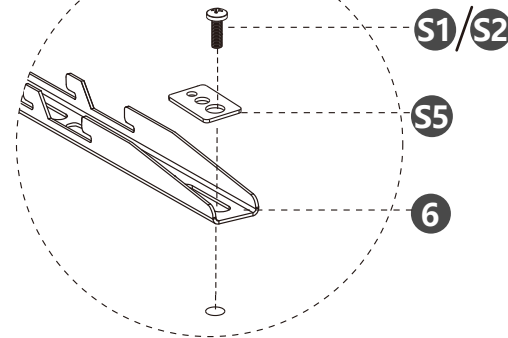
For potential cable blockage,
please choose "Option 4"

Option 1 (For Flat Back TV)

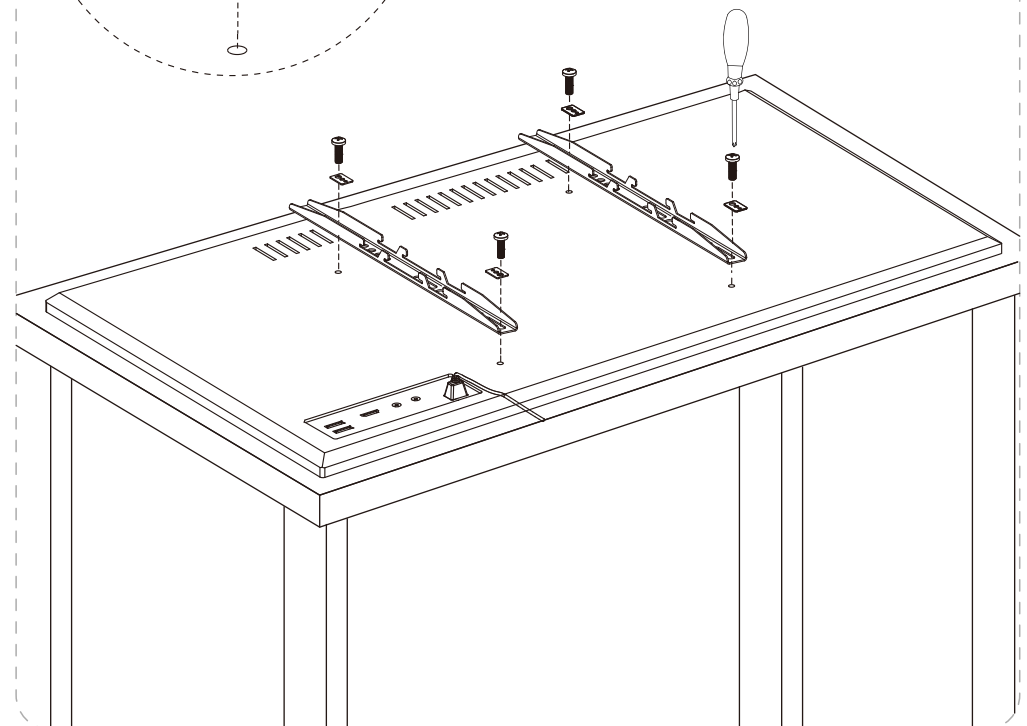
Option 2



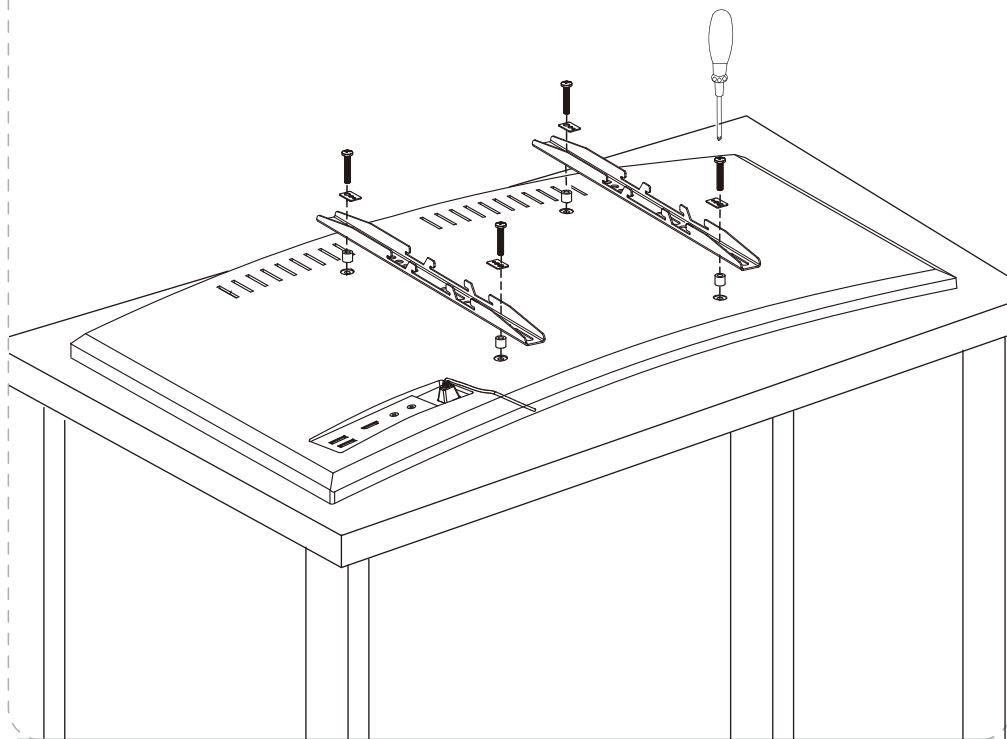
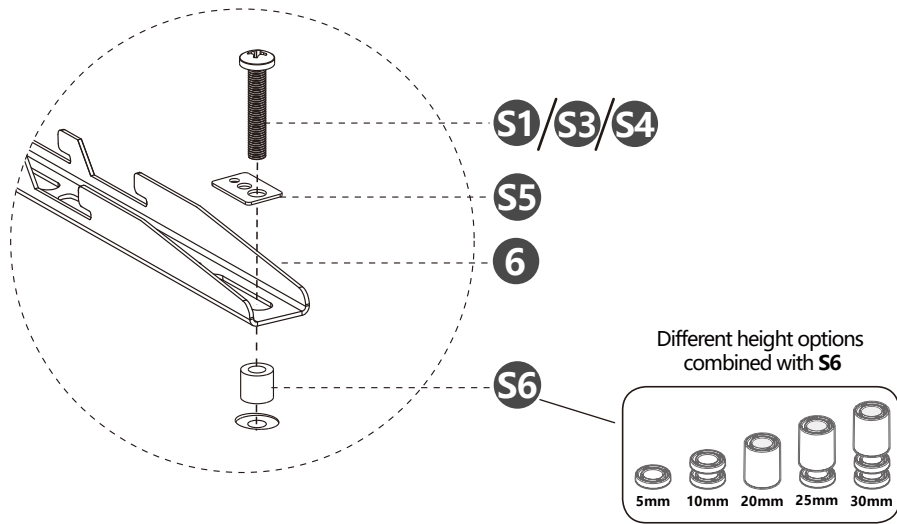
Option 1



Different height options
combined with S6

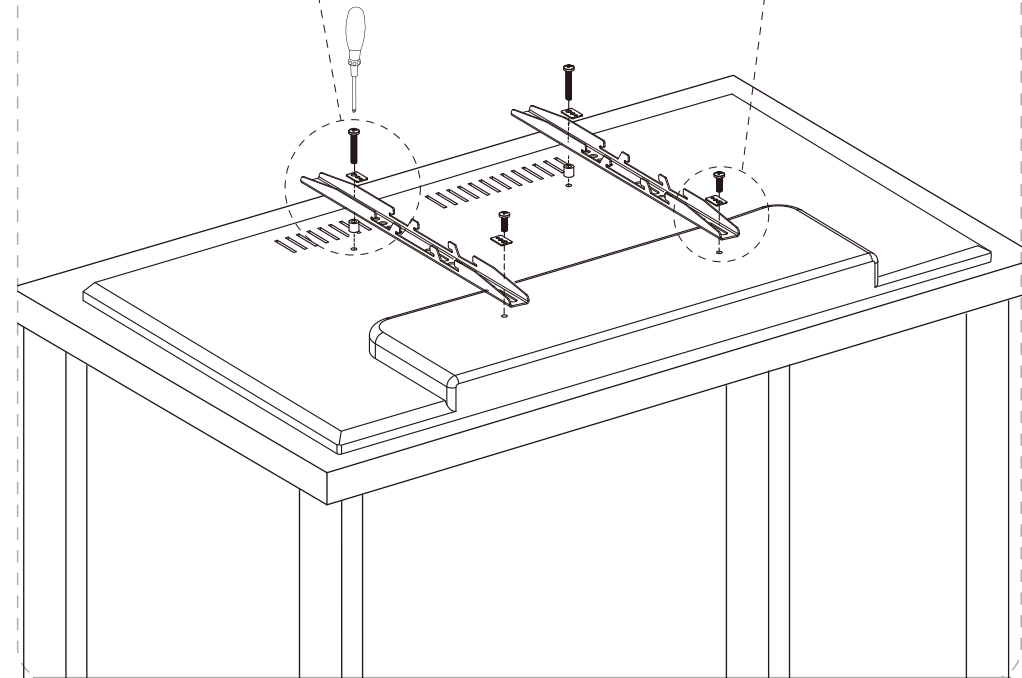
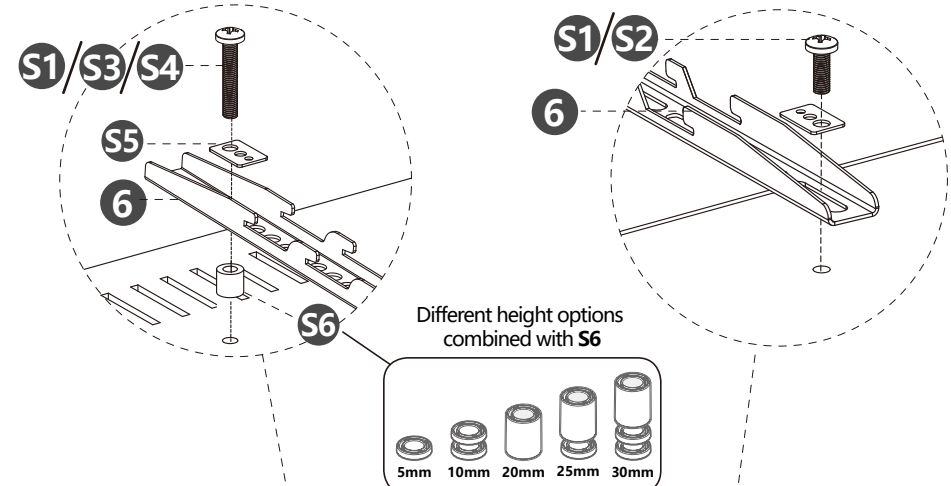


Option 2 (For Round Back TV or Curved TV)



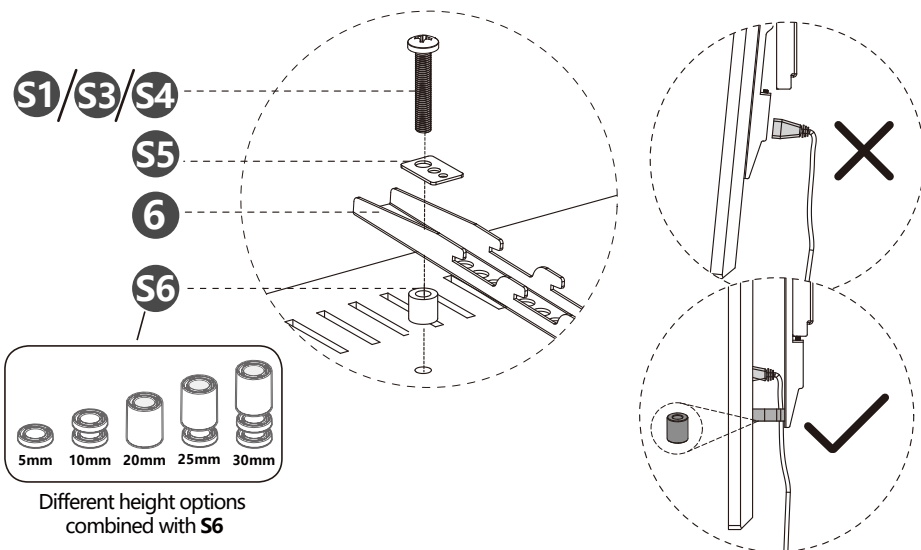
Option 3 (For TV with A "Bump")

Spacers may be necessary for 2 holes ONLY.



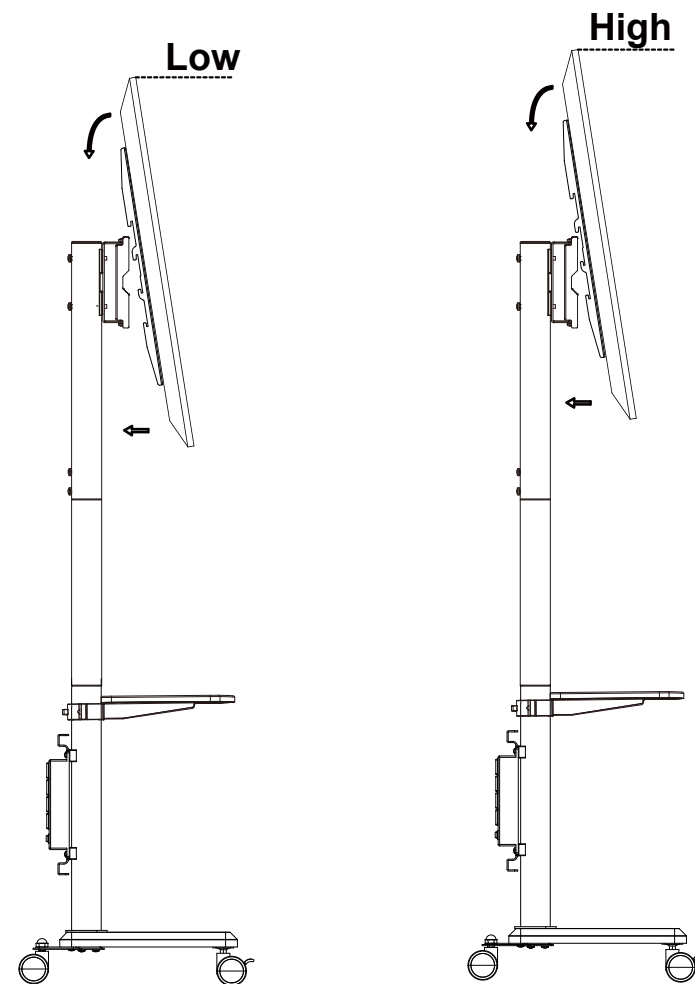
Option 4 (Potential Cable Blockage)

Spacers may be necessary when cables or plug/outlets are blocked by brackets.

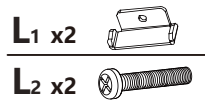


13

Attach your TV to TV plate 5, select the best height by yourself.

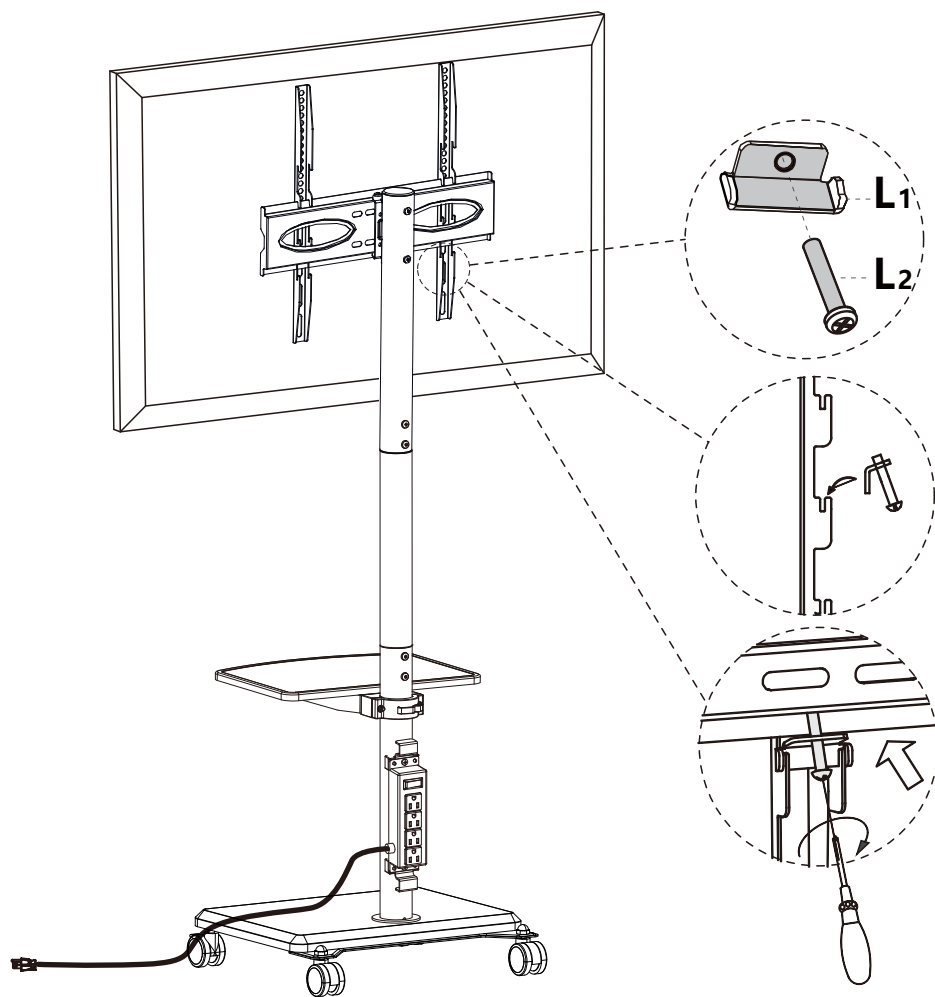


14



Insert Safety lock **L1** and **L2** in the bottom of brackets **6** and tighten the screws **L2**, Please lock your TV before using.

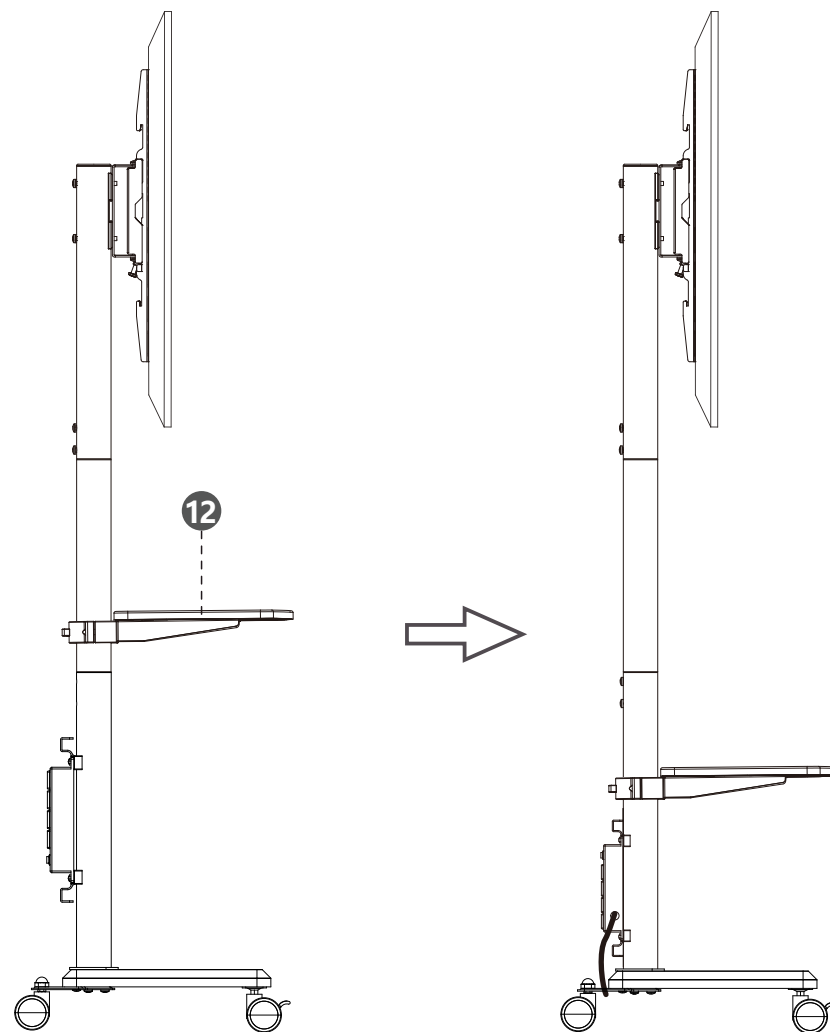
Notice: Please don't over tighten the screw **L2**, overtighten may cause **L1** broken.



USERS GUIDELINE

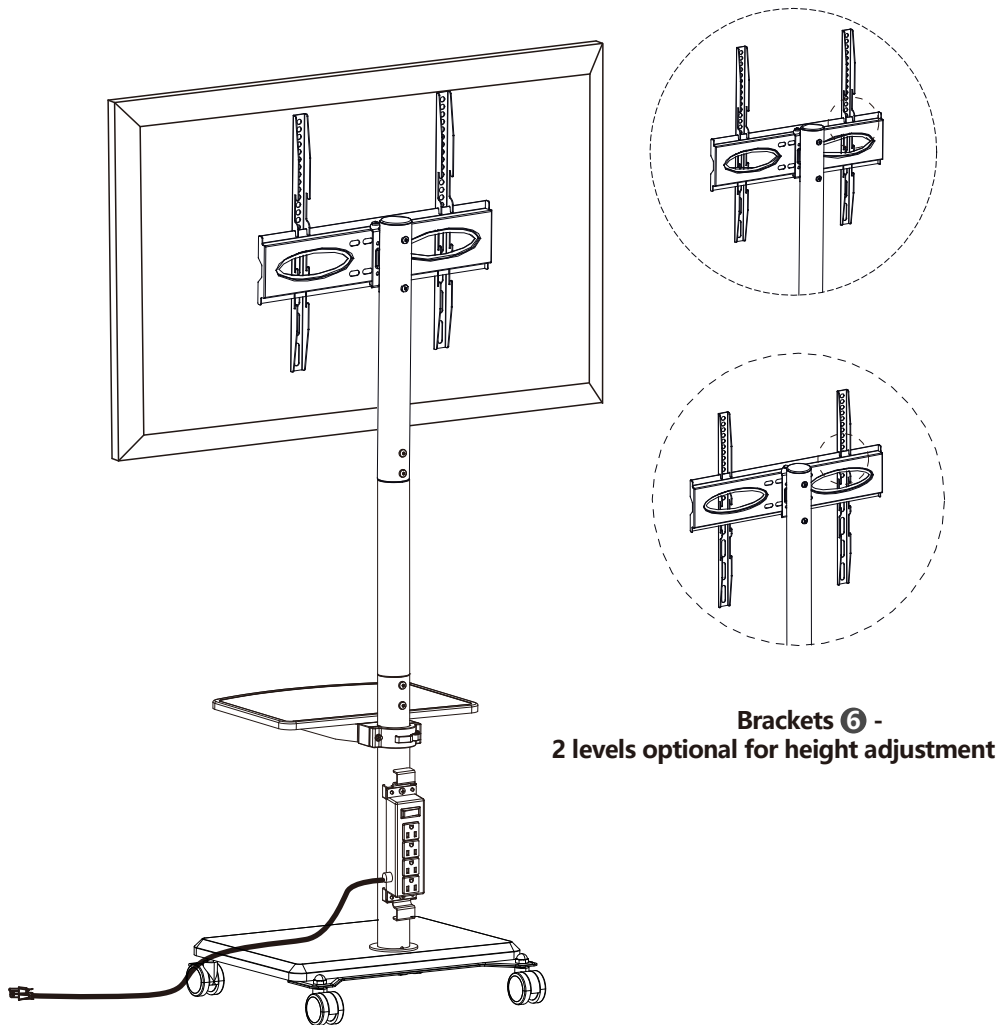
Shelf Height Adjustment

Please loosen the screws before adjust shelf height, and fix the screws full tighten again for desired level height.



Stand Height Adjustment - Brackets

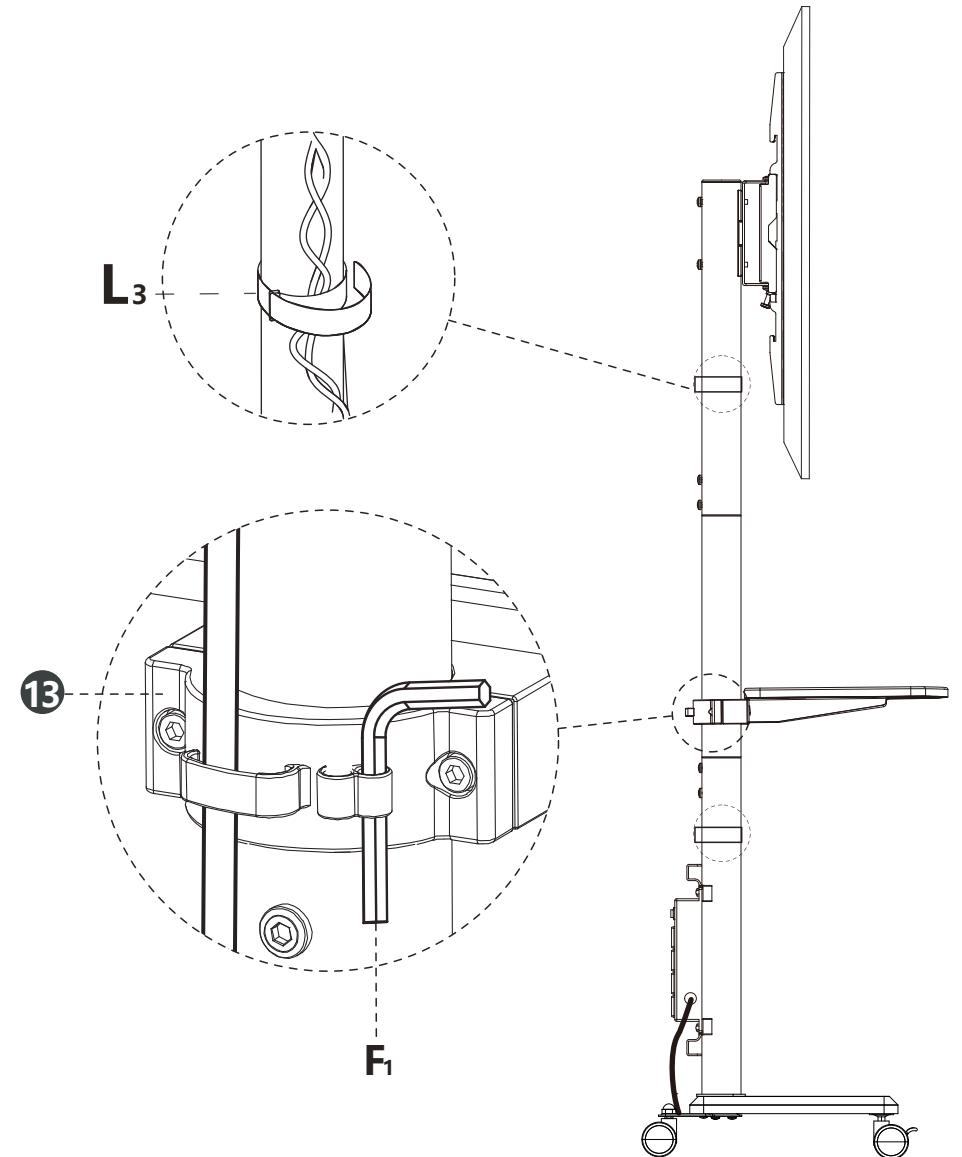
1. Please take off the TV from the stand then select the proper height you need.
2. Brackets ⑥ height adjustment is 50mm(2 inch) per level .
3. Attach the TV to the TV plate ⑤ again and tighten the safety screws L₂ on the bottom of brackets to secure the TV to the stand.



Cable management ties L₃ let you easily organization for power and AV cords to keep neat.

Opening buckle at the rear of part ⑬ can also help you arrange the cables and keeps neat.

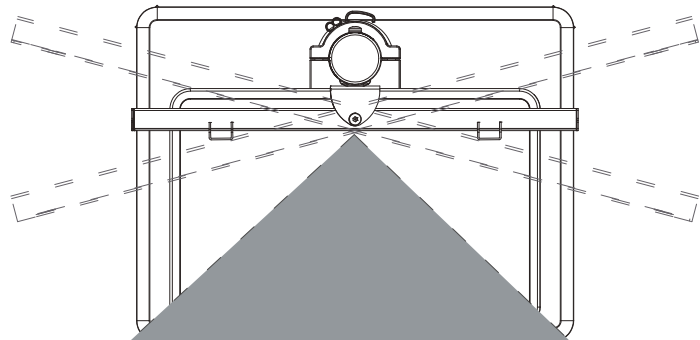
Part F₁ can be stored at the rear of part ⑬ to avoid lost.



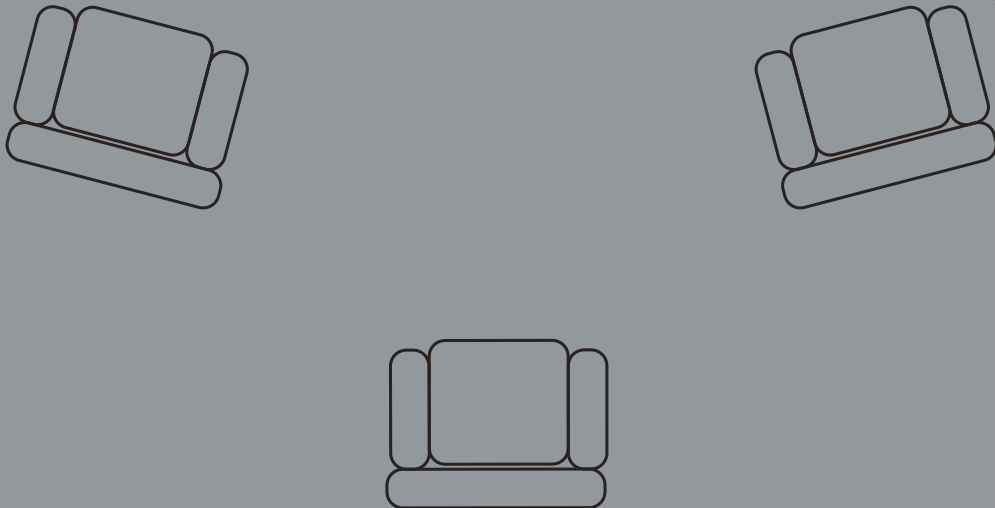
View Angle Adjustment

TV plate ⑤ can swivel left and right 35 degrees in each side to provide you a wide-range viewing angles when watch the TV.

Notice - Swivel function is manual not automatic.
Base is not turntable.



Swivel: $\pm 35^\circ$

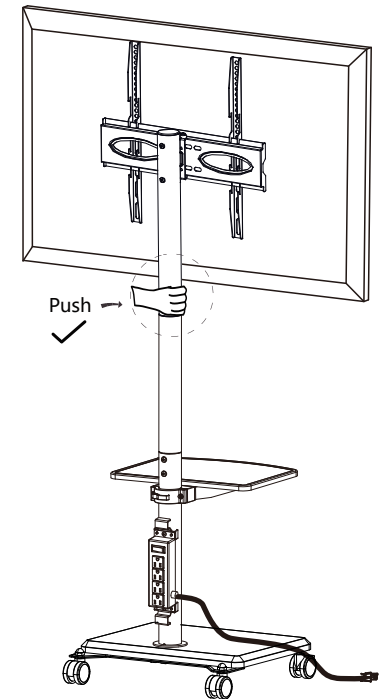
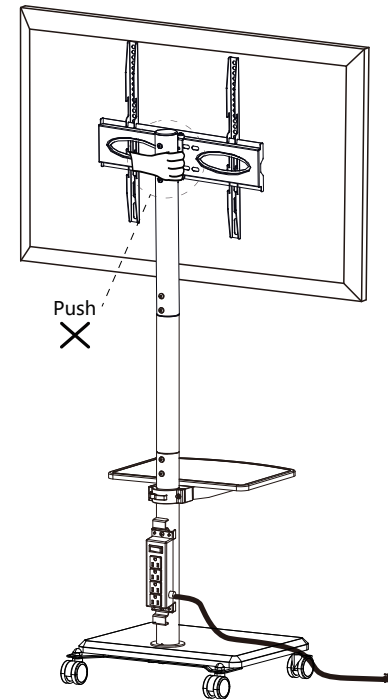


EASILY MOVE

You can move the stand around easily, please make sure all wheels are unlocked during the movement, and make sure your hand is on reasonable position as below shown to avoid wrong operation that result the stand falling over.

Please take off the TV and devices If you need to move the stand for long distances.

Please don't move this stand on the carpet or unlevel ground.



× Locked



✓ Unlocked