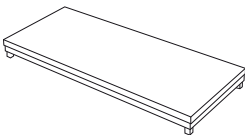

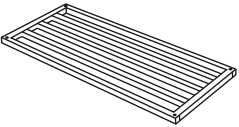

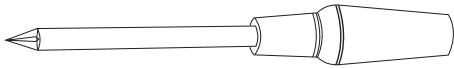


# Assembly Instructions

## WARREN CONSOLE

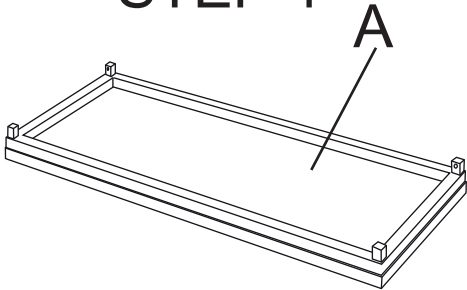


NO.	PART	DESCRIPTION	Q'TY	NO.	PARTS	DESCRIPTION	Q'TY
<b>A</b>		<b>Top</b>	1PC	<b>B</b>		<b>Leg</b>	4PCS
<b>C</b>		<b>Bottom Shelf</b>	1PC	<b>D</b>		<b>Bolt</b> 6mm 10mm	8PCS
<b>E</b>	 Tool You Will Need (Not Supplied)					<b>Crosshead Screwdriver</b>	1PC

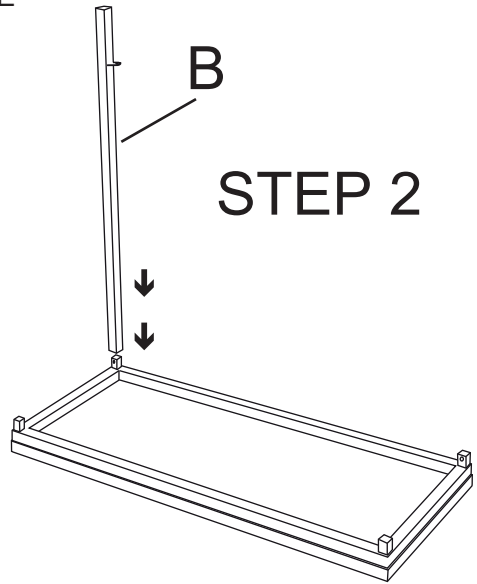
# Assembly Instructions

## WARREN CONSOLE

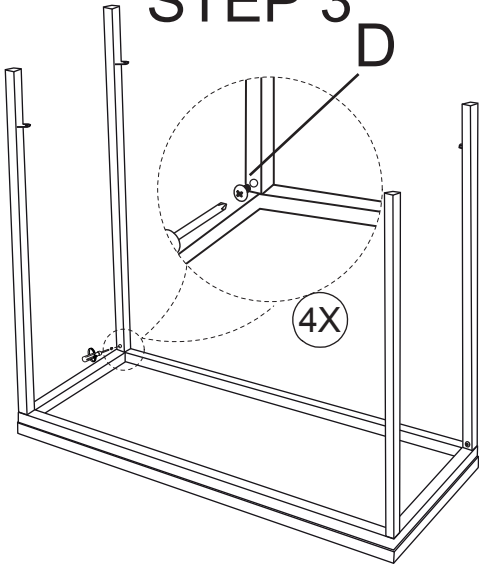
STEP 1



STEP 2



STEP 3



STEP 4

