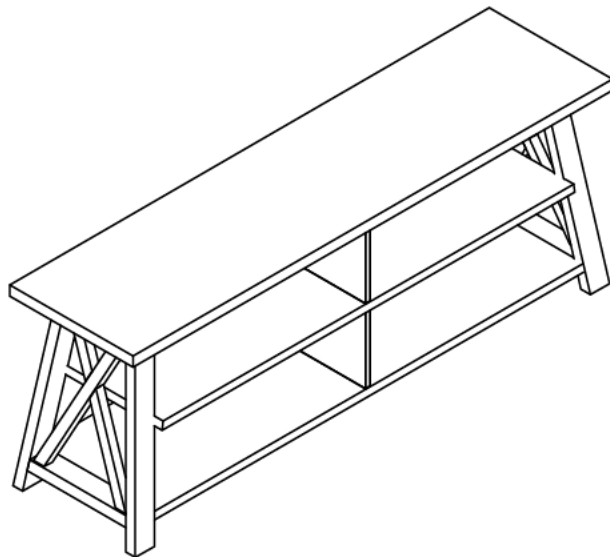


ASSEMBLY INSTRUCTION



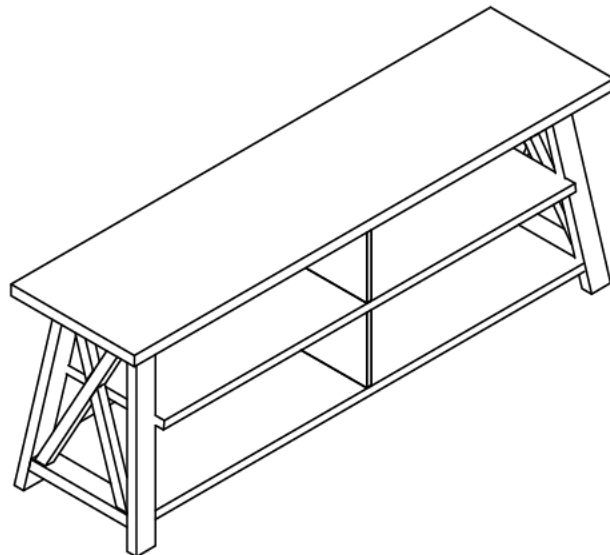
ASSEMBLY INSTRUCTION

PLEASE READ BEFORE ASSEMBLING!

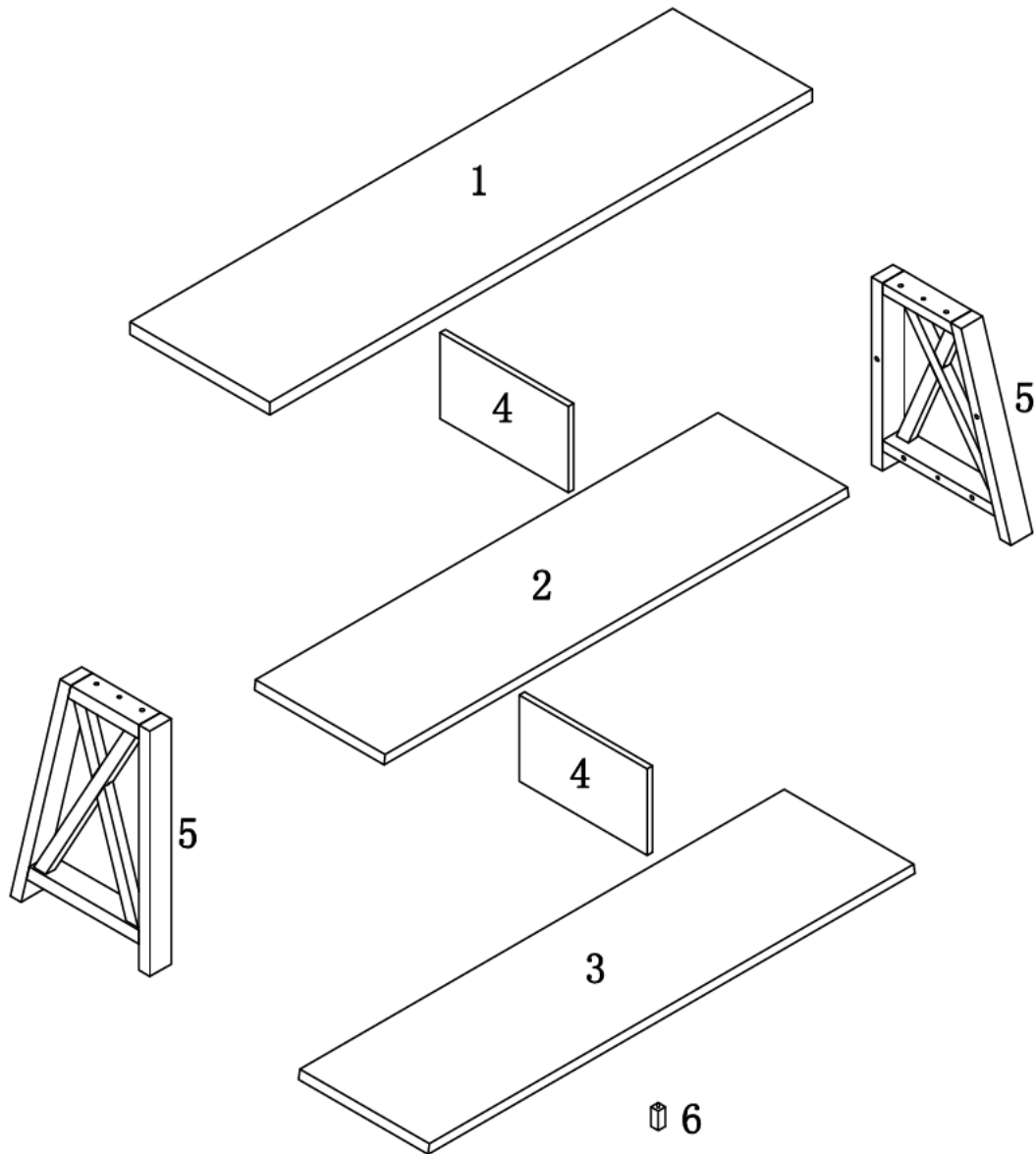
Tip #1: Make sure you've taken all the pieces and hardware out of its packaging before discarding the box.

Tip #2: Using page 2 and/or page 3 of instruction manual make sure all pieces and hardware are accounted for.

Tip #3: Read manual before assembling, it helps!




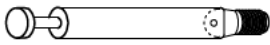
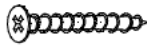
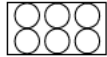







PARTS IDENTIFICATION

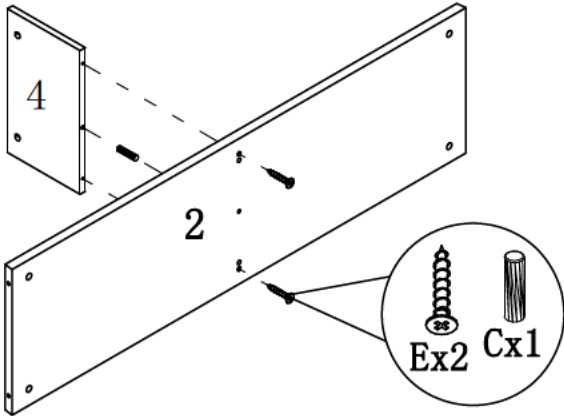


(1)	1pc
(2)	1pc
(3)	1pc
(4)	2pcs
(5)	2pcs
(6)	1pc

HARDWARE IDENTIFICATION

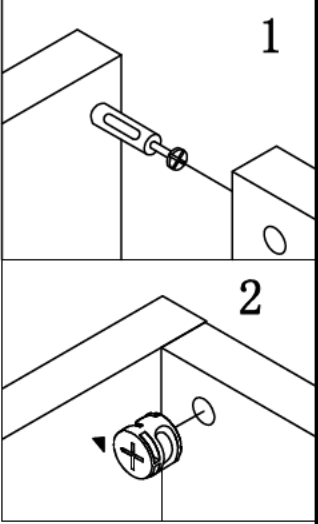
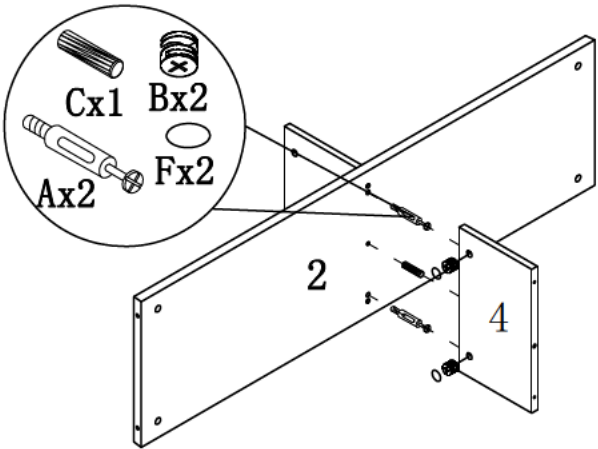
A		L29	4pcs
B		Ø15	12pcs
C		Ø8x25	8pcs
D		L54	8pcs
E		Ø4x40	4pcs
F		Ø22	4pcs
G		Ø16	4pcs
H		M8x40	4pcs
I		Ø8xØ16x2	4pcs
J		M5	1pc
K		Glue: For securing please apply to wood dowel first before inserting into panel	1pc

ASSEMBLY INSTRUCTION

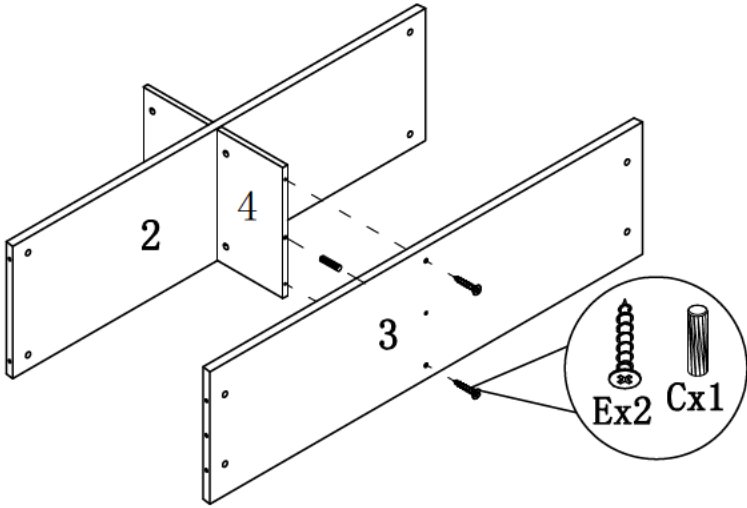


STEP 1

STEP 2

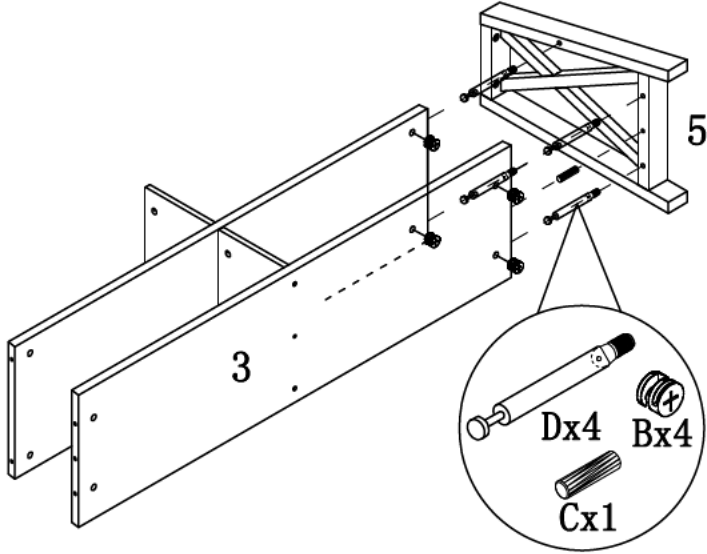


ASSEMBLY INSTRUCTION

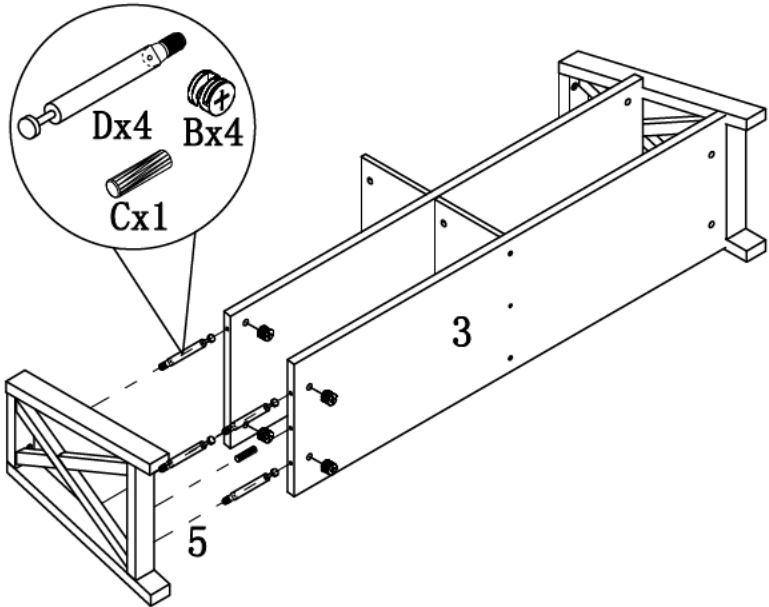


STEP3

STEP4

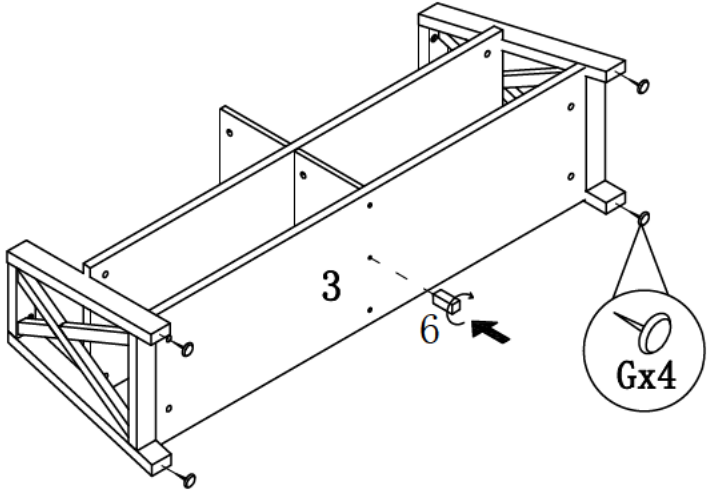


ASSEMBLY INSTRUCTION

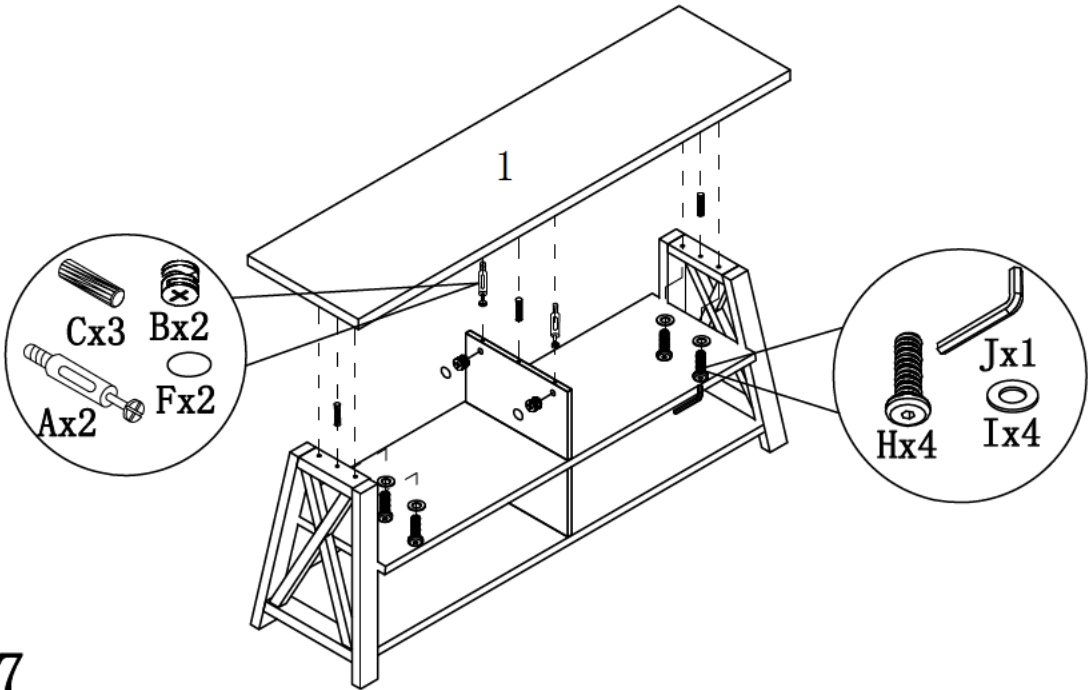


STEP5

STEP6



ASSEMBLY INSTRUCTION



STEP7

STEP8

