

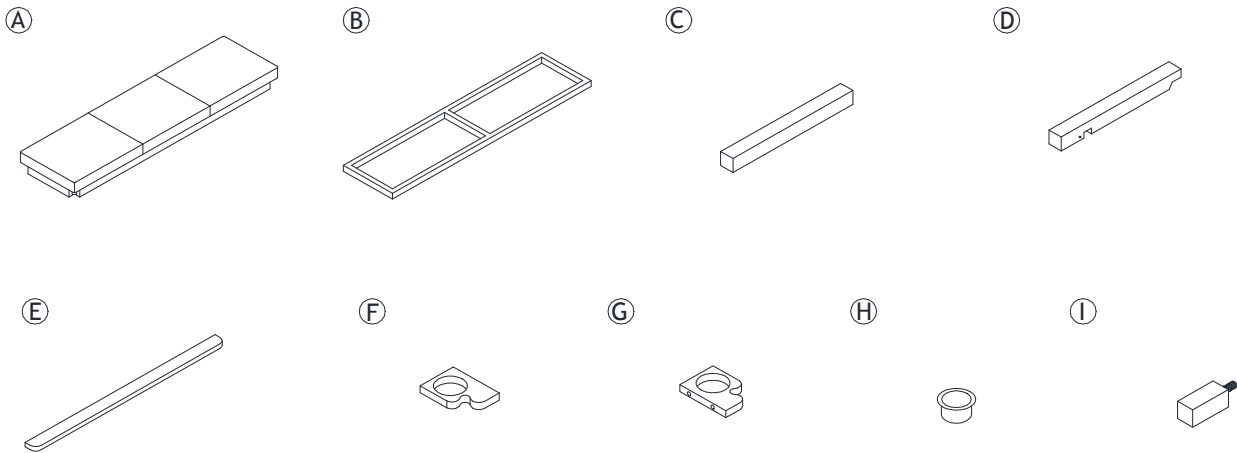
ASSEMBLY INSTRUCTIONS

MODEL: STORAGE BENCH

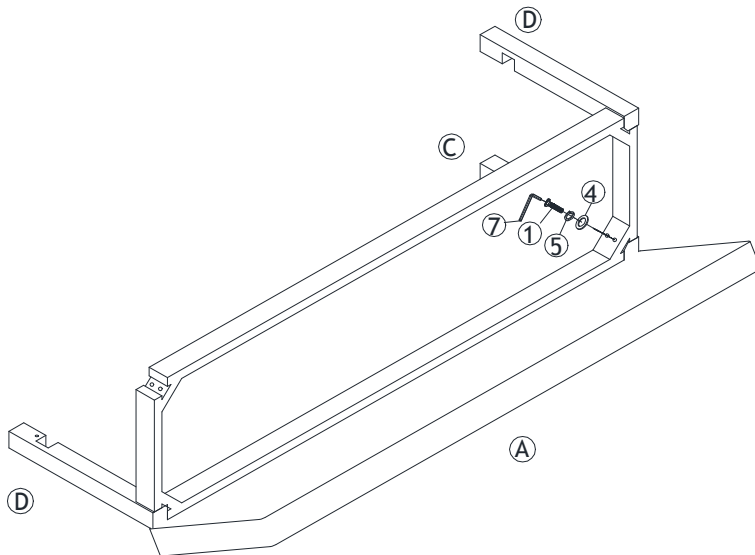
Read this instruction carefully. Refer hardware and furniture parts list for guidance. Be sure all parts are complete, before assembling. Place all wooden furniture part on a clean and flat soft surface to prevent scratches. Refer steps provided as assembling guide.

PART LIST		
ITEM	DESCRIPTION	QTY
A	Bench Top	1 PC
B	Apron	1 PC
C	Leg C	2 PCS
D	leg D	2 PCS
E	Footrest	1 PC
F	Left Cup Panel	1 PC
G	Right Cup Panel	1 PC
H	Cup	2 PCS
I	Middle Leg	1 PC

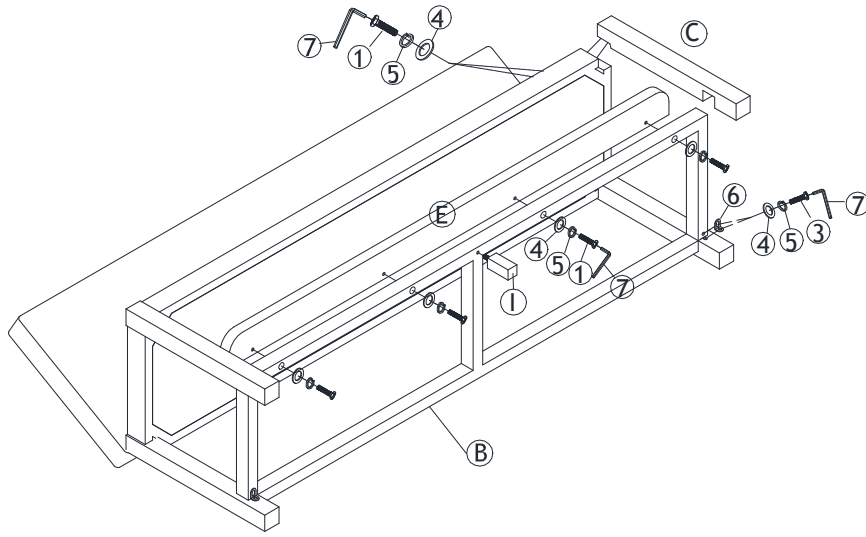
HARDWARE LIST			
ITEM	DESCRIPTION		QTY
1	Bolt (1/4"*2")		12 PCS
2	Bolt (1/4"*1-1/2")		4 PCS
3	Bolt (1/4"*3/4")		8 PCS
4	Metal Washers (Dia16mm)		24 PCS
5	Lock Washers (Dia1/4")		24 PCS
6	Angle Iron		4 PCS
7	Allen Wrench		1 PC



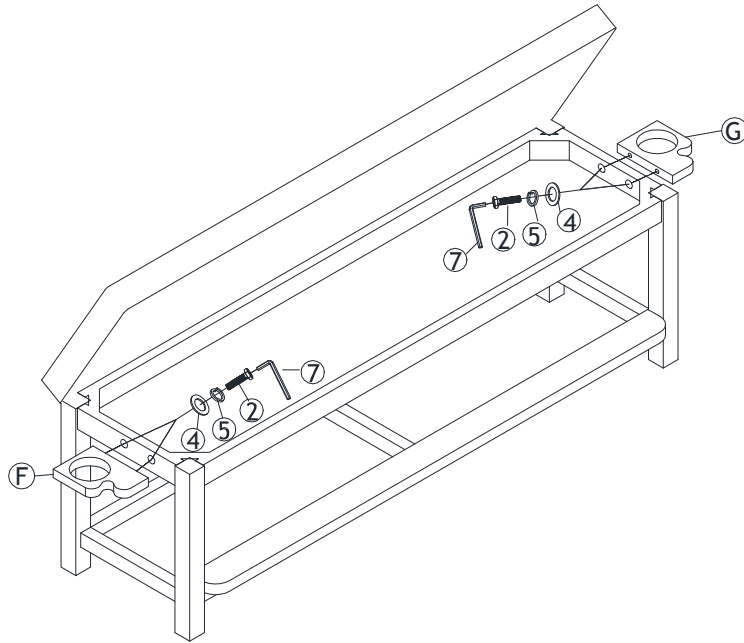
STEP 1:



STEP 2:



STEP 3:



STEP 4:

