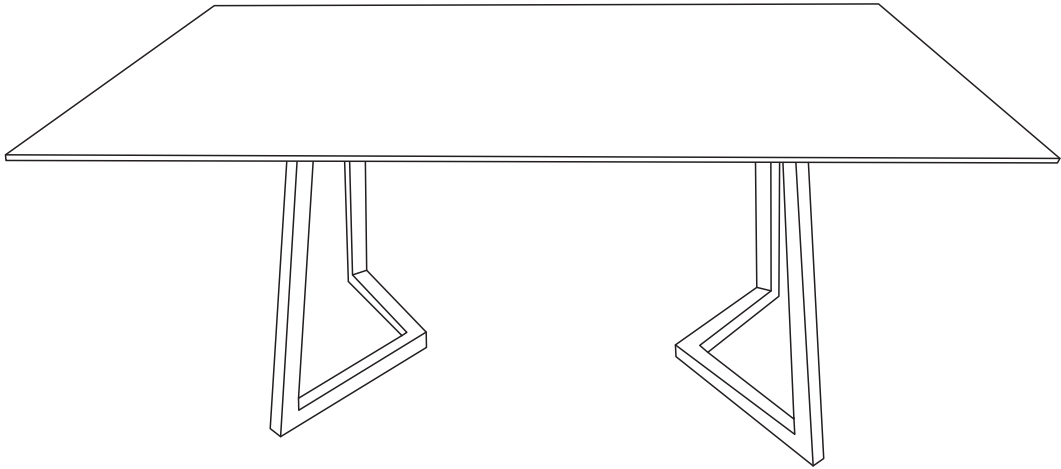
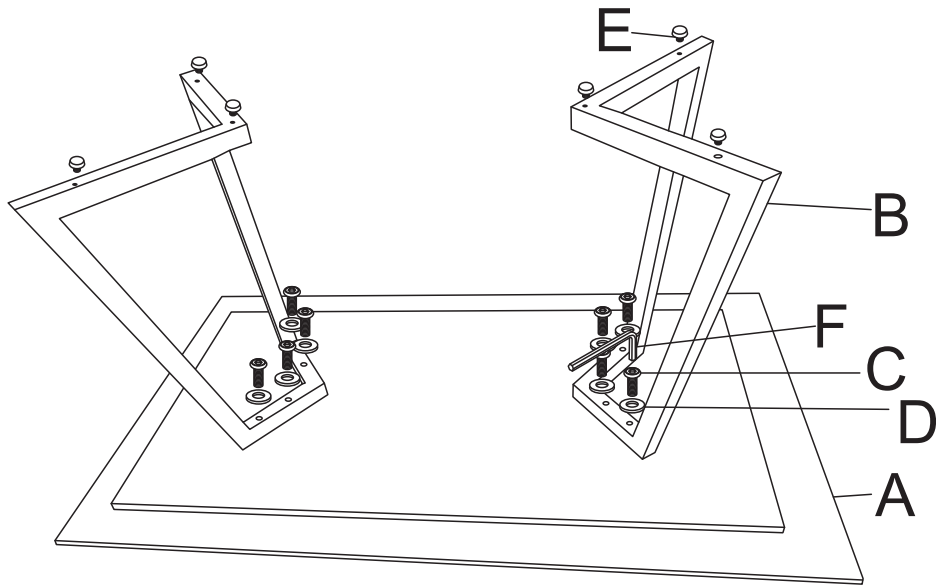
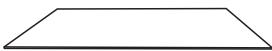


# ASSEMBLY INSTRUCTION

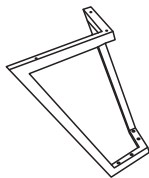


A



x1

B



x2

C



x8

D



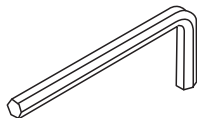
x8

E



x6

F



x1