

ASSEMBLY INSTRUCTIONS

ASSEMBLY
REQUIREMENTS

2-Person
Assembly

1 Hours
Assembly Time
(Approximate)

Tools Required
(Not Provided)


Phillips
Screwdriver


Hammer


Mallet

Thank you for purchasing our product!

Please refer and use this assembly instruction to assemble the product. Contact our customer service department in case there are any missing or damage parts or hardware. Replacement parts are normally shipped within 2 or 3 days.

Within 30 days from delivery date

We appreciate your business!

ASSEMBLY PREPARATION:

1. Remove all packaging materials, staples and packing straps from the carton.
2. Refer to Parts List and Hardware List. Ensure all the parts, hardware and quantities are correct before assembling the product. Contact customer service for missing parts.
3. Place all wooden parts on a clean, flat and soft surface (e.g. carpet or rug) to prevent parts from getting scratched.

SAFETY PRECAUTION:

1. KEEP ALL HARDWARE PARTS OUT OF REACH OF CHILDREN.
2. DISPOSE PLASTIC PACKAGING MATERIAL IMMEDIATELY TO AVOID ANY RISK OF SUFFOCATION TO CHILDREN AND ANIMALS.

TIPS FOR ASSEMBLY:

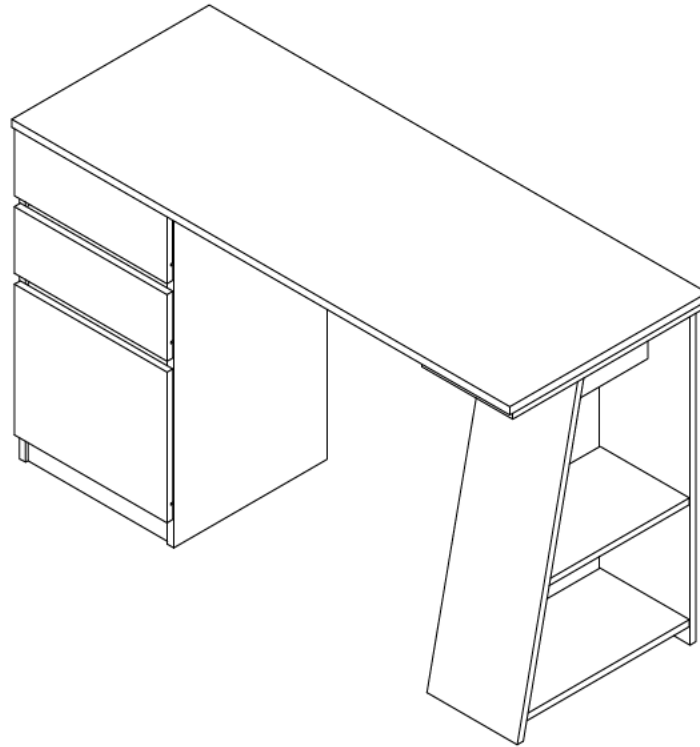
1. Allow ample room for assembly and in close proximity to where product will be placed.
2. Assemble the product on a surface that does not scratch or damage the exterior gloss and finish of the furniture.
3. Identify all of the parts, hardware and quantities required for each step.
4. During assembly, do not over-tighten any fittings as this may cause damage.
5. DO NOT USE POWER TOOLS TO ASSEMBLE THIS PRODUCT.
6. Always place the product on a flat, level surface.
7. Do not sit or stand on the partially assembled product; only use the product for which it is intended.

CARE AND MAINTENANCE:











- Use a slightly damp cloth to clean the product. Do not use bleach or abrasive cleaning material.
- Check all the fittings periodically and re-tighten as necessary. Do not use the product if any of the parts is damaged or broken.
- Never allow any kind of liquid to remain on your furniture. Absorption can cause wood to warp or delaminate.
- Do not place hot items (e.g. hot drinks) directly onto the wood surface.
- Do not drag and pull your furniture.






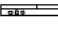

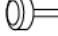

This product is for indoor and household use only - not for commercial or industrial use.

ASSEMBLY INSTRUCTIONS



HARDWARE LIST

NO		DESCRIPTION	QTY	EXTRA
A		CSK SCREW (M3.5 X 12mm)	12	1
B		CSK SCREW (M3.5 X 15mm)	4	1
C		CSK SCREW (M4 X 25mm)	4	1
D		CSK SCREW (M4.5 X 32mm)	12	1
E		EURO SCREW (M6 X 9mm)	12	1
F		WOOD DOWEL (Ø6 X 20mm)	8	1
G		WOOD DOWEL (Ø8 X 25mm)	35	1
H		9047975 BOLT DOWEL DU319 20X5MM	20	
J		9064684 CAM 15/15	12	
K		9116018 CAM 15/12	8	

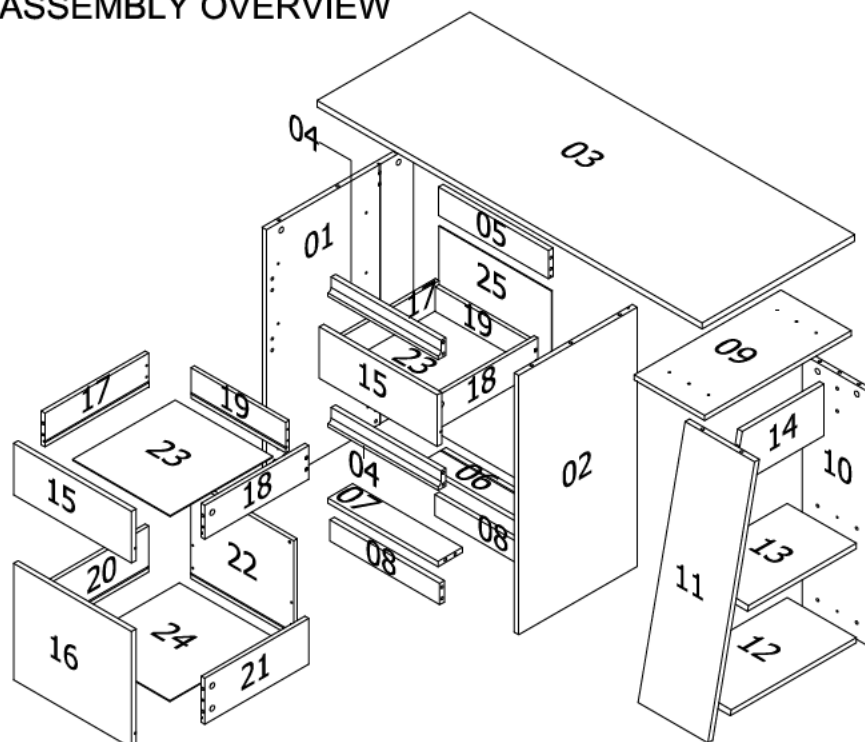
NO		DESCRIPTION	QTY
L		CAM-9499 CAM 3000 15 X 12	6
M		MINIFIX R0 BOLT M6x45	6
N1		DRAWER SLIDE CR (350MM)	3
N2		DRAWER SLIDE CL (350MM)	3
P1		DRAWER SLIDE DR (350MM)	3
P2		DRAWER SLIDE DL (350MM)	3
Q		WIRE ROD (Ø5 X 360)	2
R		PLASTIC LEG STUD	8
S		BACKPLY STOPPER	4

*EXTRA HARDWARE FOR SPARE USE.

PARTS LIST

NO.	PART NAME	QTY	NO.	PART NAME	QTY
1	SIDE PANEL (LEFT)	1	14	DIVIDER PANEL	1
2	SIDE PANEL (RIGHT)	1	15	DRAWER FRONT (TOP)	2
3	TOP PANEL	1	16	DRAWER FRONT (BOTTOM)	1
4	RAIL PANEL (FRONT)	2	17	DRAWER SIDE (LEFT)	2
5	RAIL PANEL (REAR)	1	18	DRAWER SIDE (RIGHT)	2
6	BOTTOM PANEL (REAR)	1	19	DRAWER BACK	2
7	BOTTOM PANEL (FRONT)	1	20	DRAWER SIDE (LEFT)	1
8	BOTTOM SUPPORT	2	21	DRAWER SIDE (RIGHT)	1
9	TOP PANEL	1	22	DRAWER BACK	1
10	BACK PANEL (RIGHT)	1	23	DRAWER BOTTOM	2
11	FRONT PANEL	1	24	DRAWER BOTTOM	1
12	SHELF PANEL	1	25	BACK PANEL	1
13	SHELF PANEL (CENTER)	1			

PARTS LIST - ASSEMBLY OVERVIEW



INSTRUCTIONS FOR FITTING CAM-BOLT AND CAM-LOCK

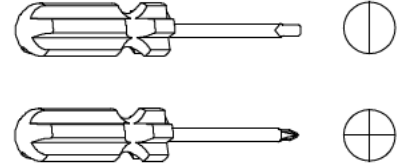


CAM-BOLT



CAM-LOCK

Tools Required



INSERTING AND TIGHTENING CAM-BOLT

SHOULDER

PANEL

Place Cam-bolt on pre-drilled hole and screw in vertically

Shoulder is flushed (on the same level) with the panel.

Shoulder is above the panel.

Place Cam-bolt on the designated pre-drilled holes on the panel. Use a Phillips Screwdriver to screw-in Cam-bolt vertically until shoulder is flushed (on the same level) with panel. Do not over-tighten or under-tighten.

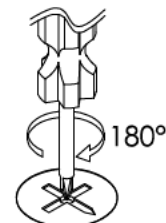
INSERTING CAM-LOCK

Insert Cam-lock with arrow align to Cam-bolt head.

CORRECT **WRONG**

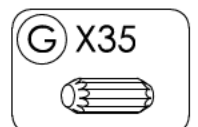
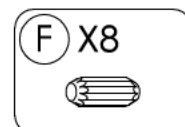
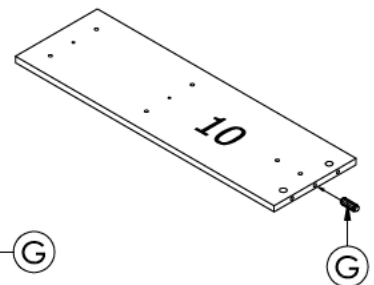
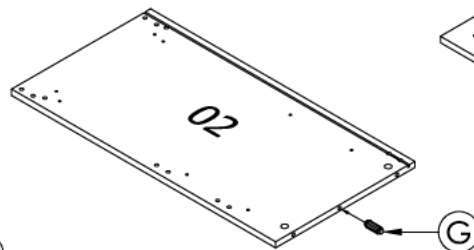
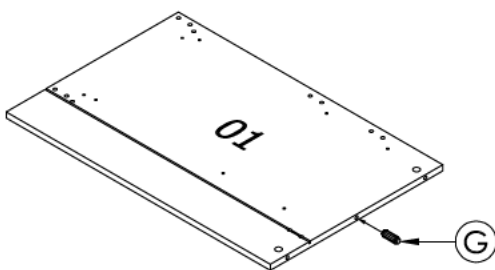
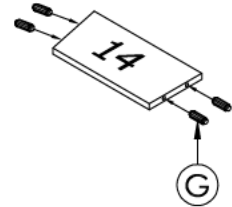
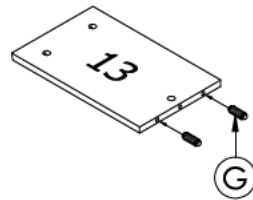
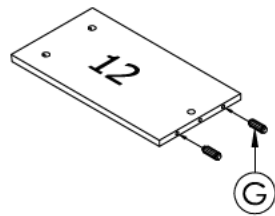
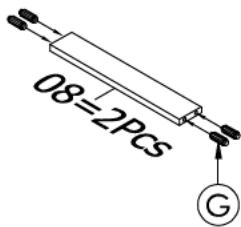
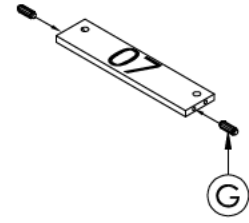
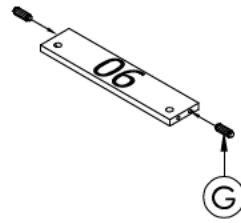
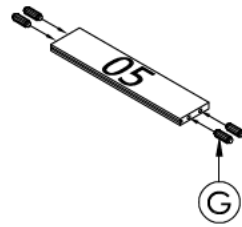
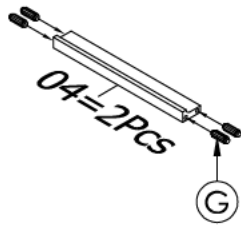
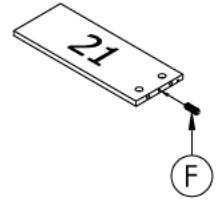
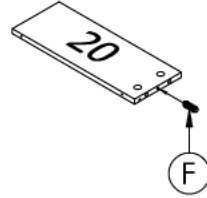
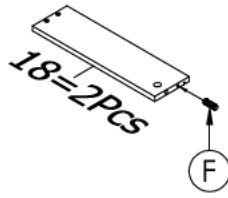
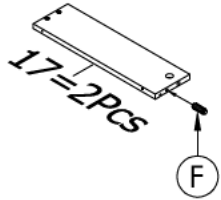
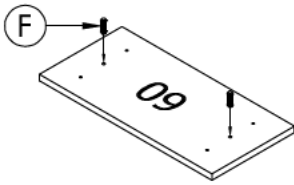
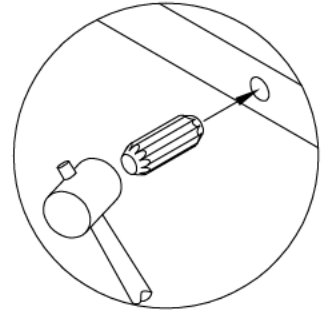
Align the arrow on the Cam-lock to the Cam-bolt head and insert the Cam-lock. Ensure Cam-lock is fully inserted.

TIGHTENING CAM-LOCK

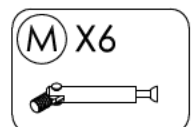
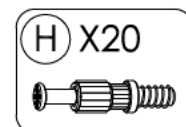
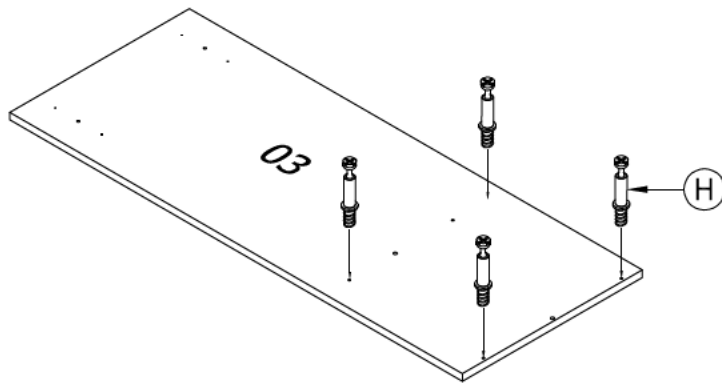
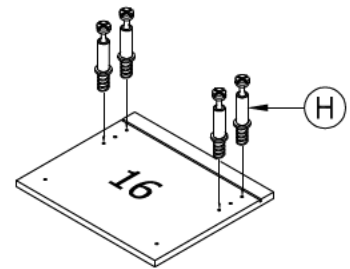
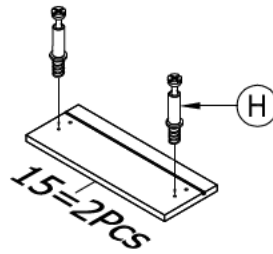
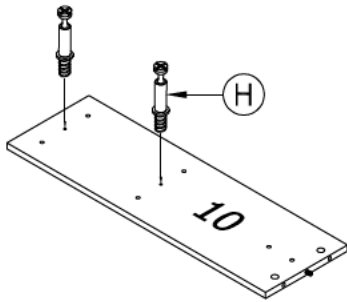
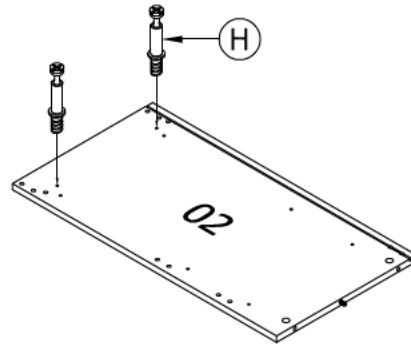
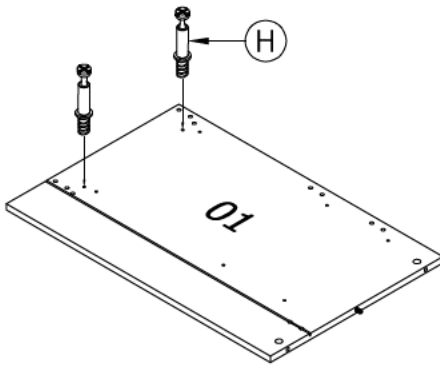
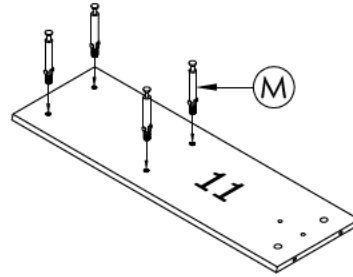
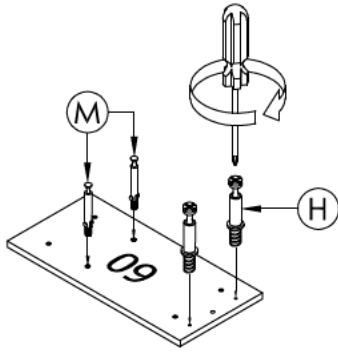


Use a Flat-head Screwdriver to turn Cam-lock clockwise so it locks onto the head of the Cam-bolt. Turn until it is snug (about one half a turn) – over-tightening could damage Cam-lock or/and Cam-bolt.

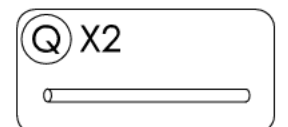
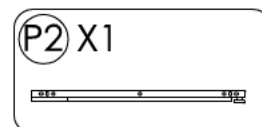
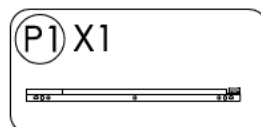
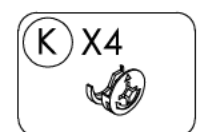
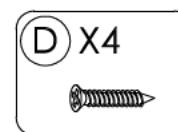
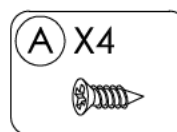
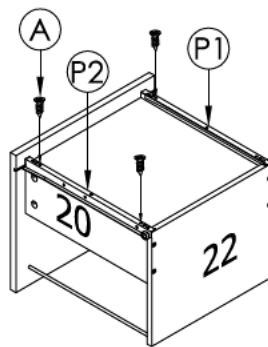
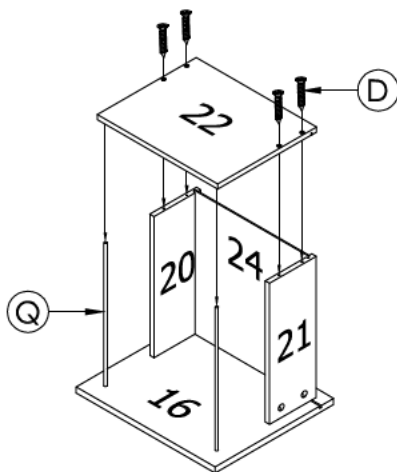
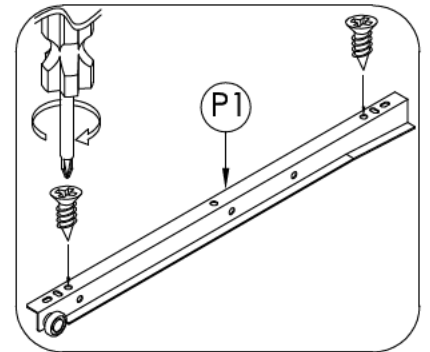
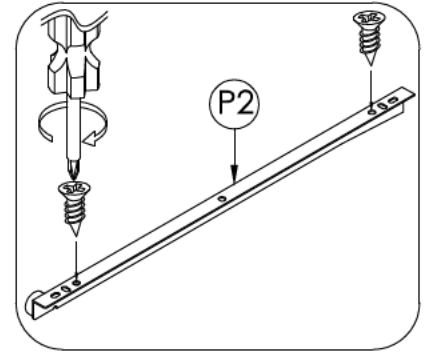
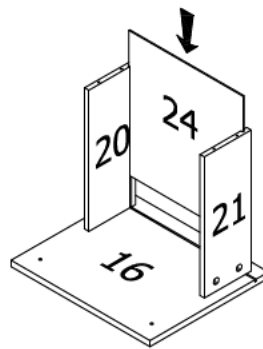
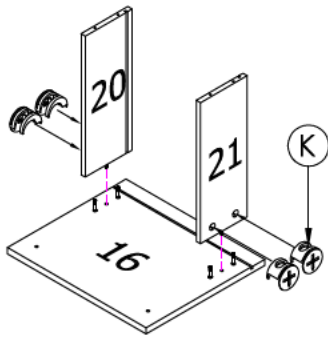
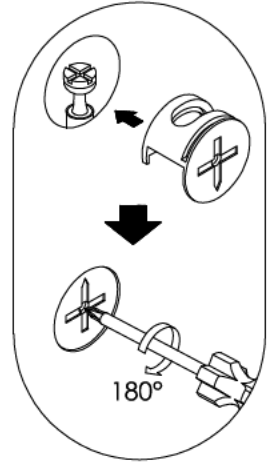
STEP 1



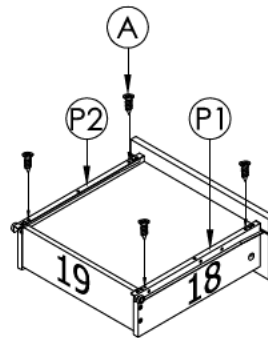
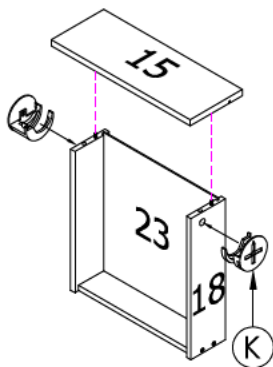
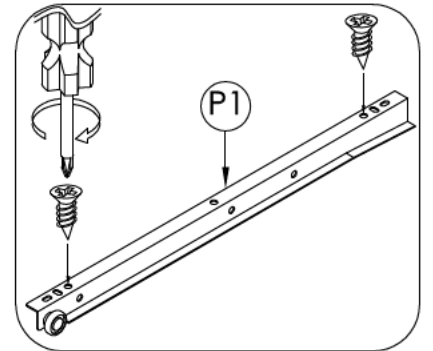
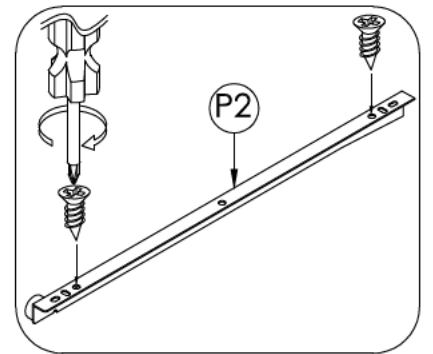
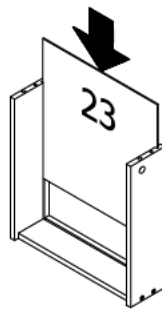
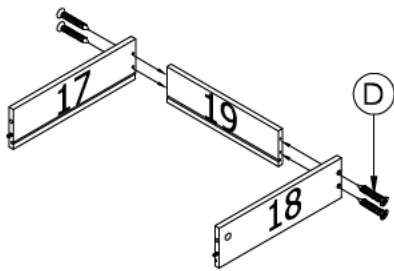
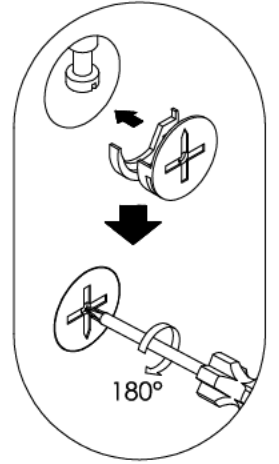
STEP 2



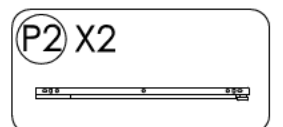
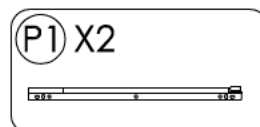
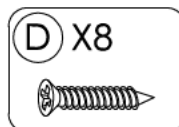
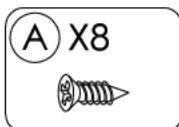
STEP 3



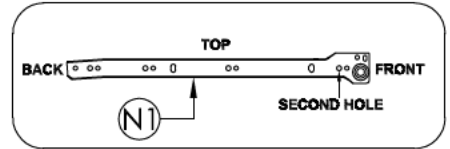
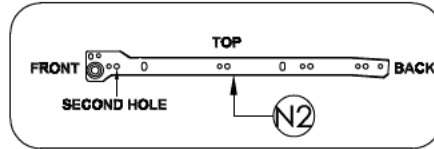
STEP 4



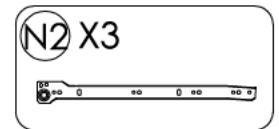
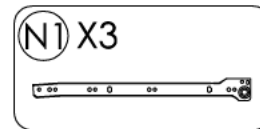
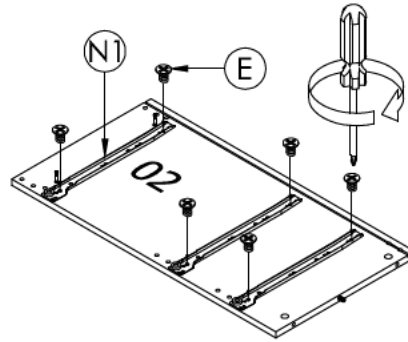
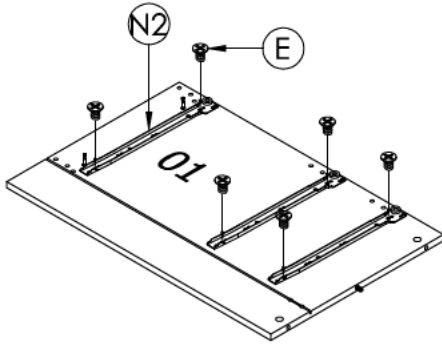
X2



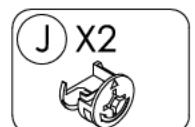
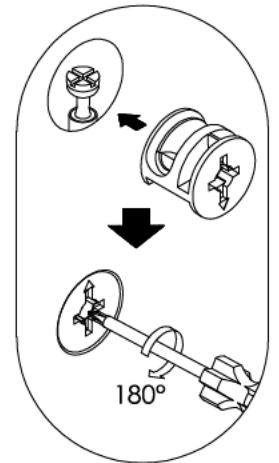
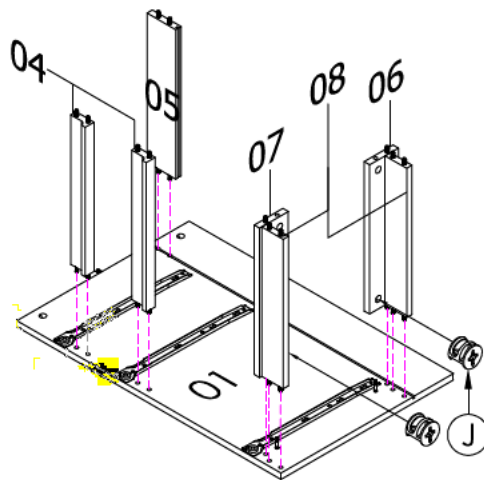
STEP 5



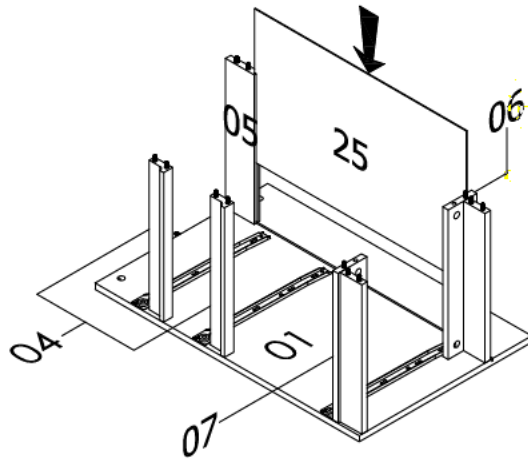
PLEASE ENSURE TO FIX THE SCREWS AS PER POINTED HOLES INSTRUCTION TO AVOID DISTORTION OF OVERALL LOOK OF PRODUCTS.



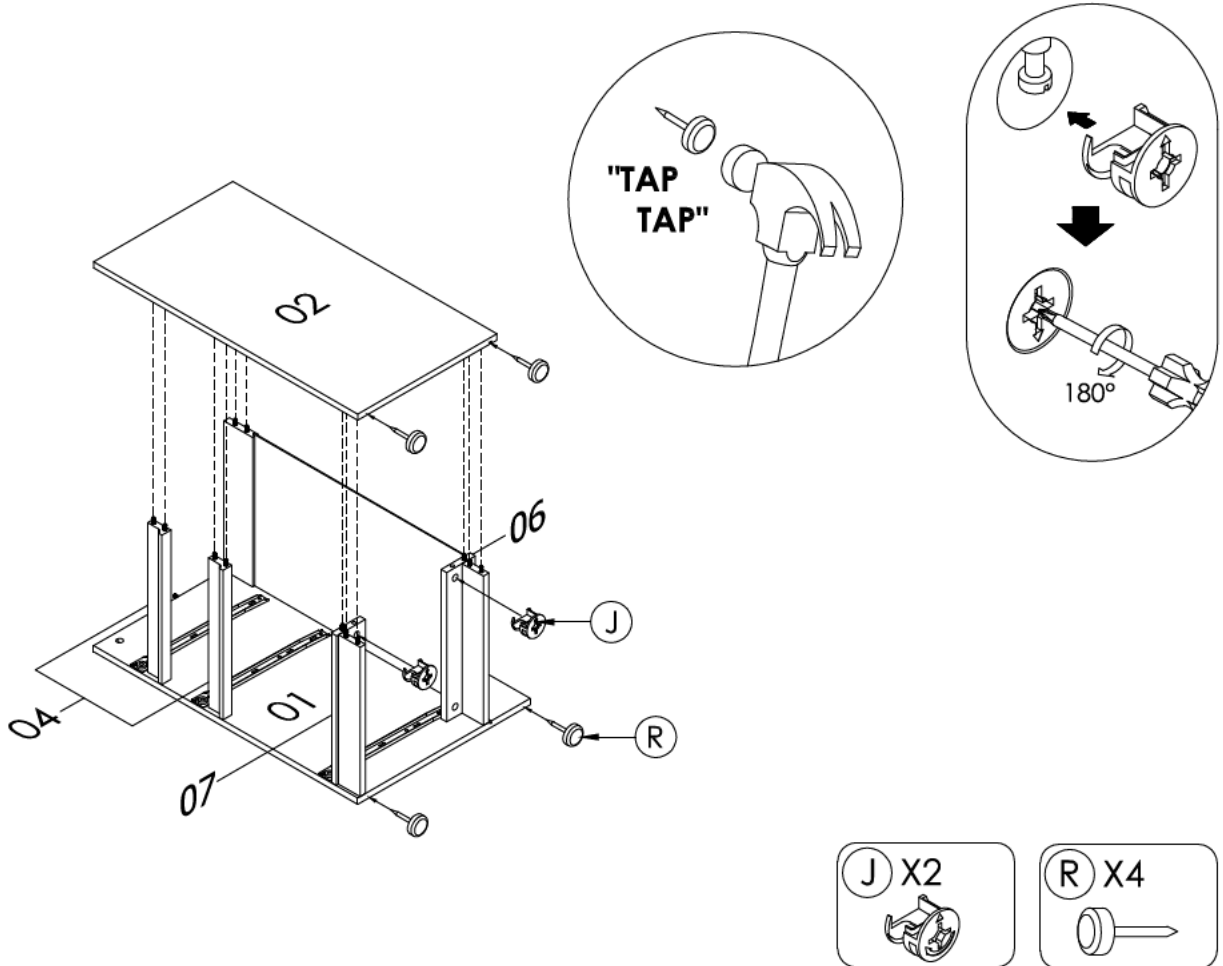
STEP 6



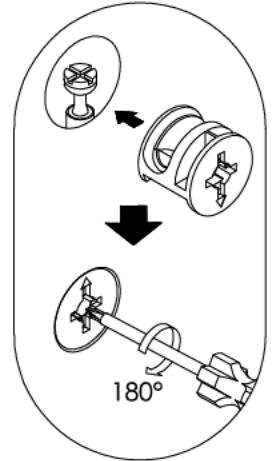
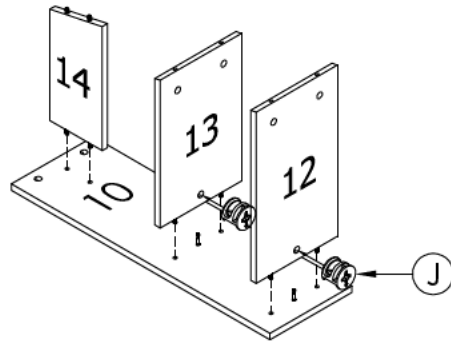
STEP 7



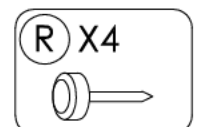
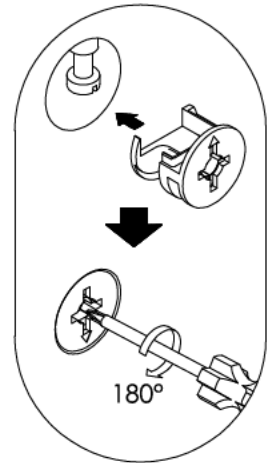
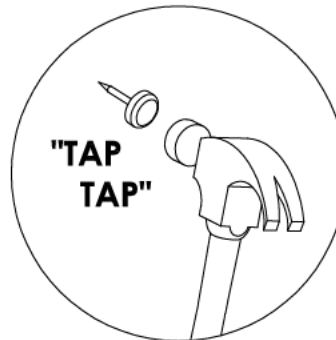
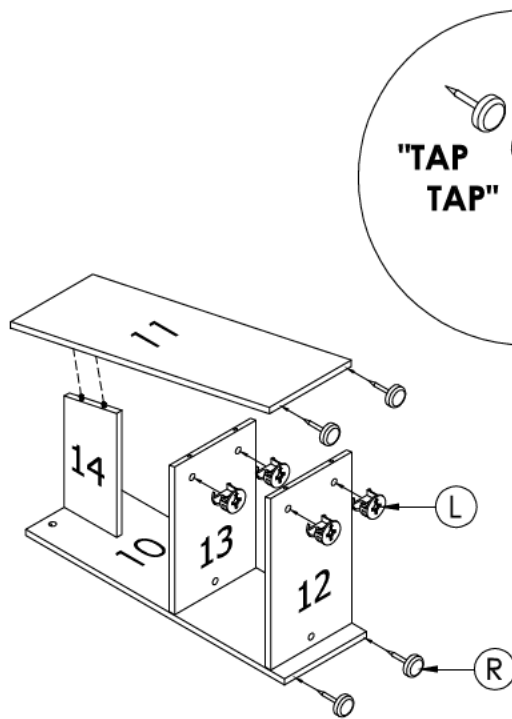
STEP 8



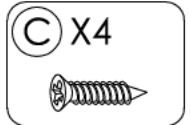
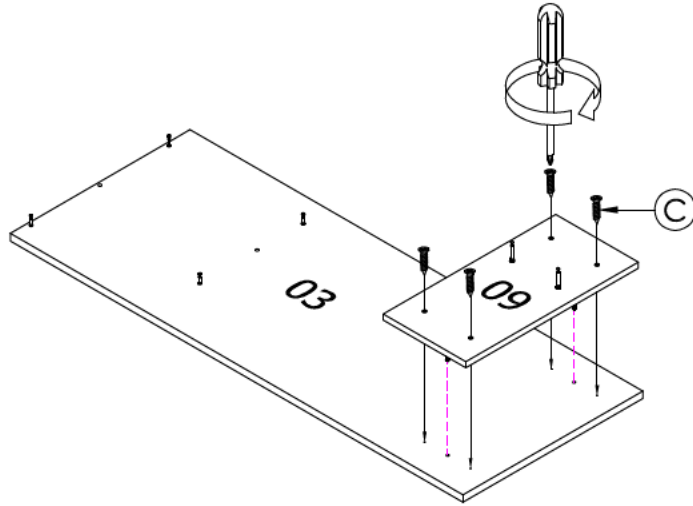
STEP 9



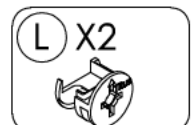
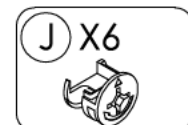
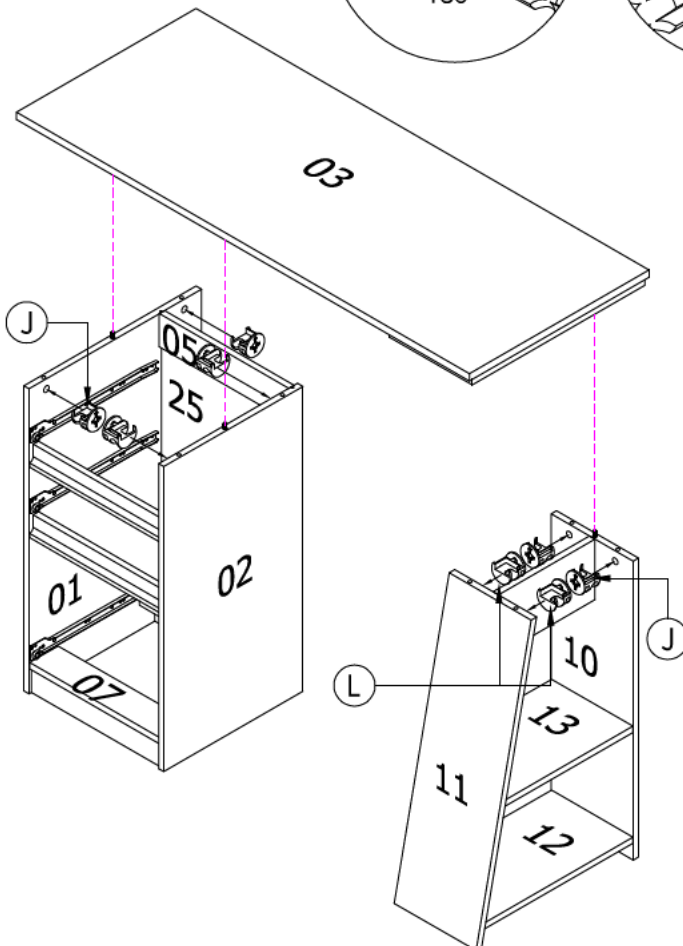
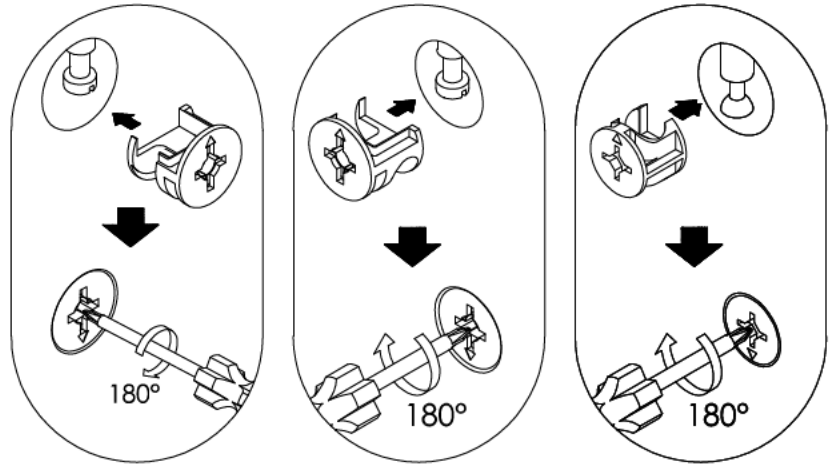
STEP 10



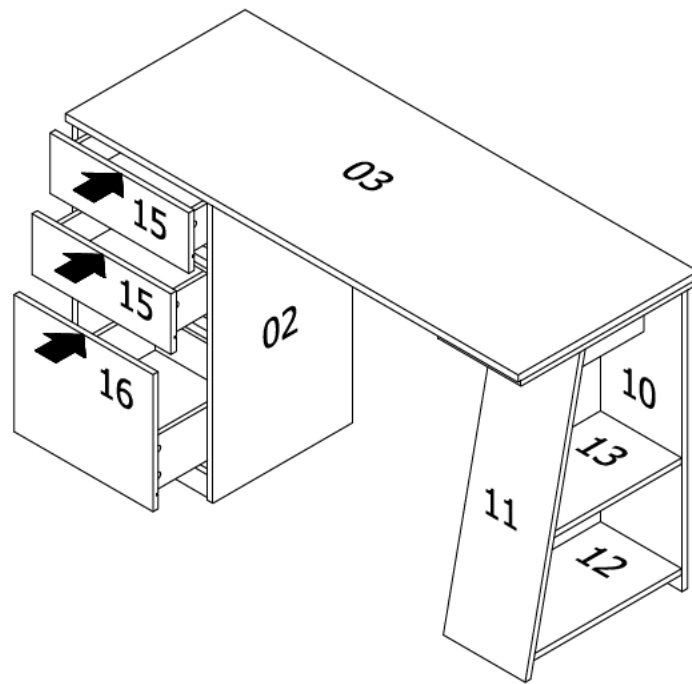
STEP 11



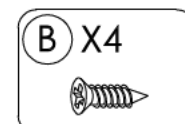
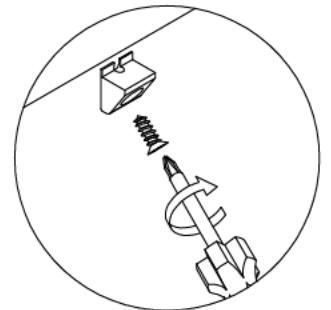
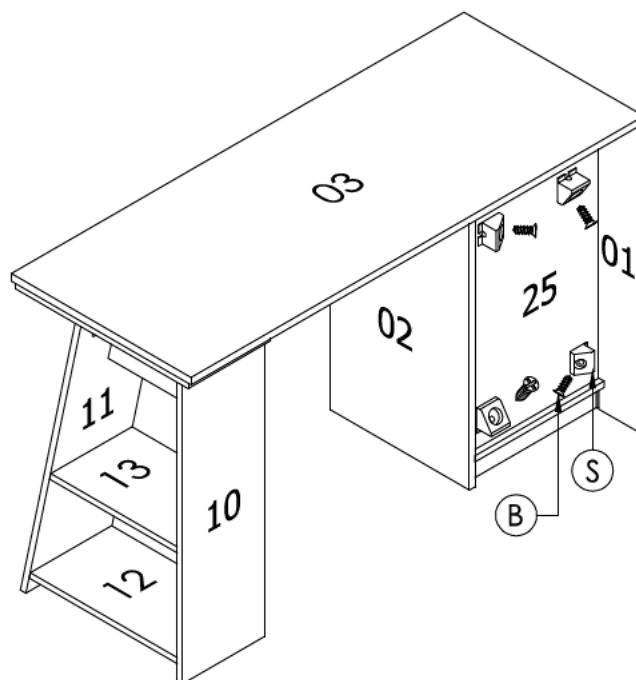
STEP 12



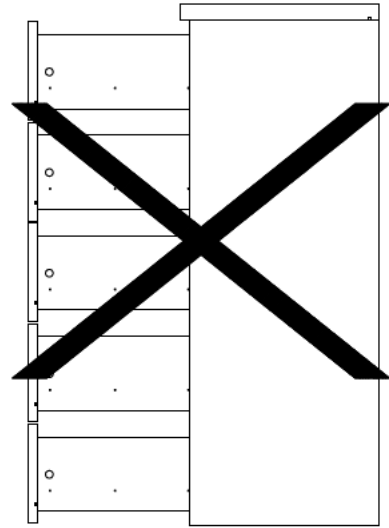
STEP 13



STEP 14



STEP 15



CAUTION :
PLEASE DO NOT FULLY OPEN
DRAWERS SIMULTANEOUSLY
AS IT WILL CAUSE THE DRAWER
CHEST TO FALL DOWN.

