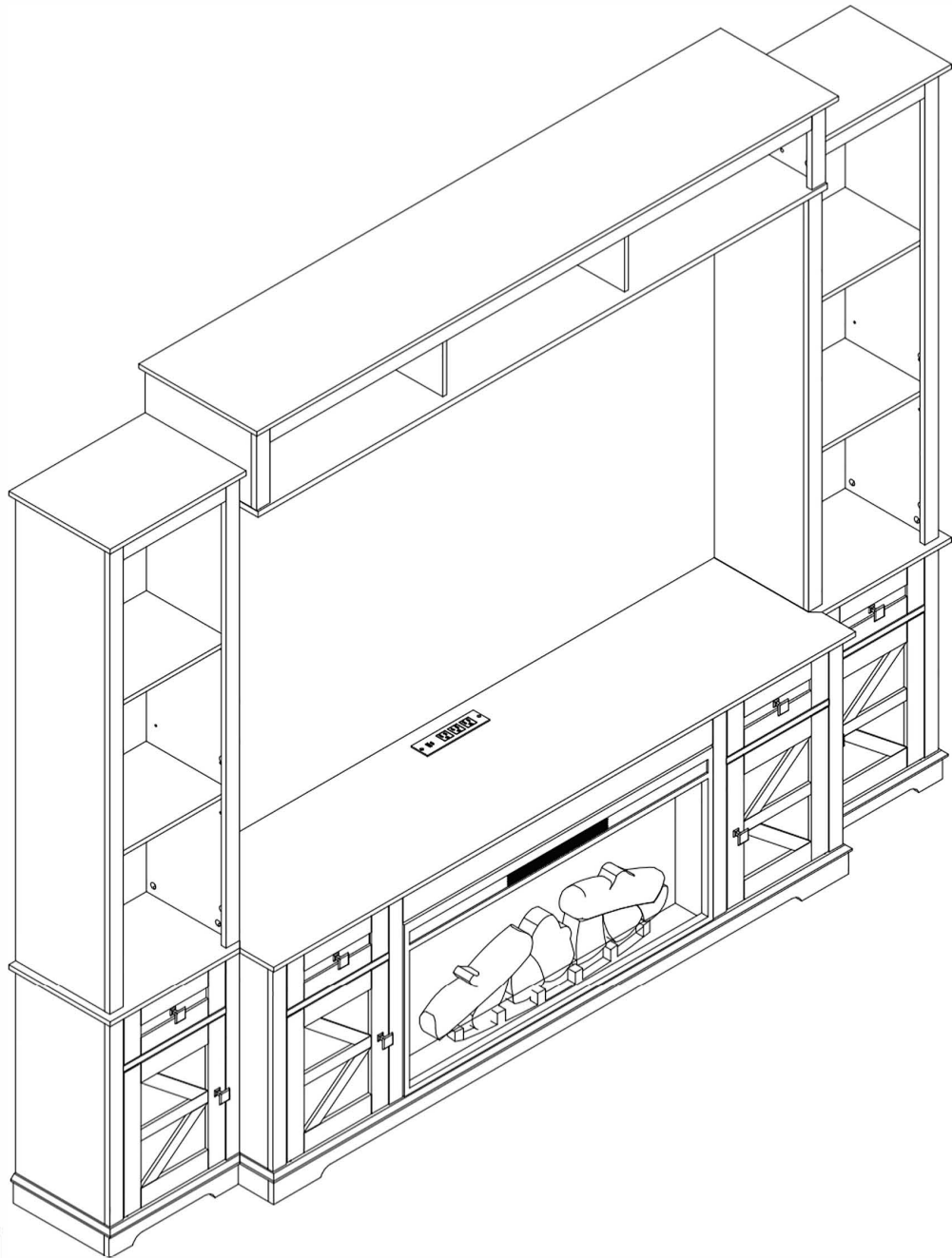


Combined cabinet

Assembly Instructions - Please keep for future reference



Dimensions

Width - 98.2inch

Depth - 15.7inch

Height - 77.9inch

Important – Please read these instructions fully before starting assembly

Safety and Care Advice

Thank you for choosing this product! To ensure safe use and long-term maintenance, please read this manual carefully and keep it for future reference.

Important Notes:

- . This product is designed for indoor use only and should not be used for commercial or outdoor purposes without authorization.
- . Children under the age of 14 should not participate in the assembly process.

Important - Please read these instructions fully before starting assembly

1.Preparation Before Assembly Check Components and Tools:

Refer to the provided parts list to ensure all components and fittings are included. If any parts are missing or damaged, please contact customer service immediately.

Required Tools:

Prepare a Phillips screwdriver, a spirit level, a rubber mallet, and expansion bolts or screws suitable for your wall type (not included).

Workspace:

- . Assemble the product on a flat, soft surface (e.g., carpet) to avoid scratching the furniture.
- . Ensure the workspace is spacious enough to lay out all components and facilitate assembly. Safety Precautions:
- . Keep children and pets away from the assembly area to prevent accidental injuries or swallowing of small parts.
- . Assembly by two people is recommended to improve efficiency and ensure safety.

2.Assembly Instructions

. Initial Fixing:

Assemble the components in the order specified in the manual. Do not skip any steps. Tighten screws and connectors loosely at first to allow for adjustments later.

. Alignment Check:

Before fully tightening screws, ensure all grooves and holes are properly aligned to prevent incorrect assembly.

. Wall Mounting (if applicable):

- . Use the included anti-topple device to secure the furniture to the wall. If suitable wall-mounting fittings are not provided, purchase appropriate expansion bolts and screws for your wall type.
- . Follow the wall-mounting guidelines to prevent tipping hazards.

3.Post-Assembly Checks

- . Verify that all parts are securely installed and screws are fully tightened.
- . Ensure the anti-topple device is properly installed.
- . Once the furniture is in its final position, use a spirit level to confirm it is level.

Usage Instructions

1.Safety Tips for Use Prevent Tipping:

- . Always use the included anti-topple device to secure the furniture and prevent accidents. . Check the stability of the anti-topple device regularly.
- . Open only one drawer at a time to maintain balance.

Weight Distribution:

- . Place heavy items in the lower drawers or shelves to improve stability.
- . Avoid placing heavy objects on top of the furniture unless it is designed for such use.

Child Safety:

- . Do not allow children to climb, sit, or hang on the furniture.
- . Keep small parts and sharp objects stored inside drawers or cupboards, out of children ' s reach

2.Special Features (if applicable):

- . Lighting System:
- . Follow the instructions to correctly install electrical components, ensuring wires are not exposed.
- . If the LED strip or switch needs replacement, consult a professional.

Maintenance

Instructions

1.Cleaning and Care

- . Wipe the surface with a slightly damp soft cloth and mild detergent. Avoid using bleach, solvents, or abrasive cleaners.
- . Regularly clean underneath and behind the furniture to prevent dust accumulation.

2.Regular Checks

- . Inspect screws and fittings regularly to ensure they are not loose, and tighten them if necessary.
- . Check the anti-topple device to ensure it is securely connected, and adjust immediately if any looseness is detected.

3.Preventing Environmental Damage

- . Avoid placing the furniture in damp areas to prevent material deformation or structural damage.
- . Protect the furniture from prolonged exposure to direct sunlight to prevent discoloration or surface aging.

4.Product Disposal

- . This product should not be disposed of as household waste. Please take the furniture to an authorized recycling facility in accordance with local regulations.
- . For products containing electrical components, ensure proper recycling as per the European Union Waste Electrical and Electronic Equipment Directive (WEEE).

Safety Warnings

1. Anti-Tip Warning

To prevent serious injury or death caused by furniture tipping over:

- A. Always use the included anti-tip device or other suitable wall-mounting hardware to securely anchor the furniture to the wall.
- B. Do not allow children to climb, hang, or play on the furniture.
- C. Only open one drawer at a time.
- D. Avoid placing heavy items on the top drawer or the top surface of the furniture.

2. Installation Warnings

- Follow the assembly steps as outlined in the manual.
- Do not use high-torque power tools to avoid damaging screws or fittings.
- Do not move the furniture or place heavy items on it until assembly is fully completed.

3. Child Safety

- This product is not a toy. Keep all small parts and packaging materials out of reach of children.
- Using the anti-tip device is essential to ensure child safety.

4. Electrical Safety (If Applicable)

- Before using the product, ensure all electrical components are properly connected.
- Do not attempt to disassemble or modify the electrical parts. For replacements, consult a qualified electrician.

Customer Care

If you encounter any of the following issues, please contact our customer service team **promptly**:

- Missing or damaged parts.
- Questions during assembly.
- Issues related to product use or maintenance.

To assist us in resolving your concerns quickly, please provide the following information:

- Order number.
- Purchase platform.
- Purchase date.
- Detailed description of the issue and photos (if applicable).

Compliance with Market Regulations

- This manual complies with the General Product Safety Directive (GPSD) and relevant regulations for furniture product instructions in the UK (BS 14749), Germany, France, Spain, and Italy.
- All warnings and maintenance guidance provided are intended to ensure user safety and prolong the product's lifespan.

Thank you for your support and trust. Enjoy your product!

A Guide to Wall Mounting & Fixings

Important note:



Before Drilling: Always check for hidden wires or pipes in the wall.

Important Notes



Wall Plugs: If plastic wall plugs are supplied, they are only suitable for masonry walls.
For other wall types, consult a qualified tradesperson.
Installer Responsibility: Using incorrect fixings may result in product failure.

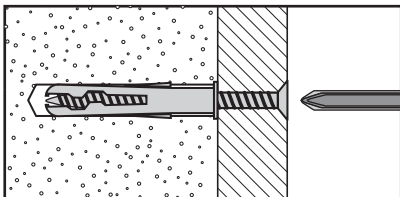
Hints for Safe and Secure Fixing

1. **Screw & Wall Plug Size:** Use a larger size if unsure.
2. **Drill Bit Selection:** Match the drill bit size to the wall plug.
3. **Drill Position:** Drill horizontally and avoid enlarging the hole.
4. **Care for Fragile Walls:** Insert wall plugs carefully in tiles or thin walls to prevent cracks.
5. **Tight Fit:** Ensure wall plugs fit snugly into drilled holes.

Types of walls

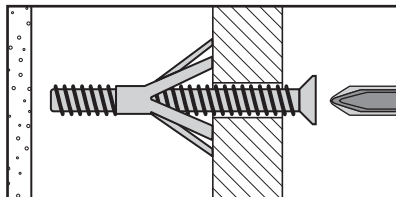
You can use one of the following types of wall plug if your walls are made of brick, breeze block, concrete, stone or wood.

No.1 "General Purpose" wall plug



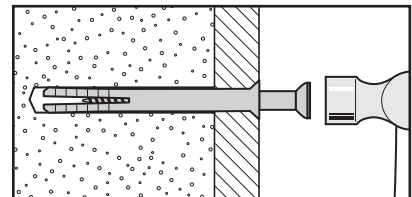
General Purpose Wall Plug: For brick, concrete, and aerated blocks. Not suitable for heavy loads.

No.3 "Cavity Fixing" wall plug



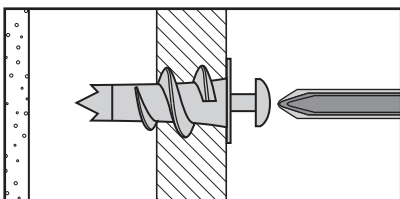
Cavity Fixing Wall Plug: For hollow wooden doors or partitions.

No.5 "Hammer Fixing" wall plug



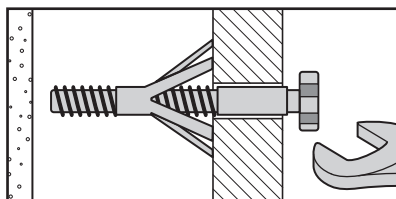
Hammer Fixing Plug: For walls stuck with plasterboard; ensure it anchors securely.

No.2 "Plasterboard" wall plug



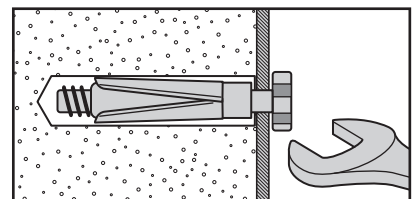
Plasterboard Wall Plug: For light loads on plasterboard partitions.

No.4 "Cavity Fixing - Heavy Duty" wall plug



Heavy-Duty Cavity Fixing: For heavy loads like wall cabinets and shelves

No.6 "Shield Anchor" wall plug - heavy loads



Shield Anchor Wall Plug: For very heavy loads like TV brackets or speakers



Care & Maintenance

Safety: always check the fitting and location to ensure your safety in and around the home.

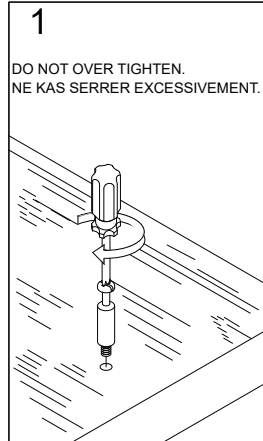
Fitting: from time to time check the fitting to ensure the wall plugs or screws do not become loose.

- . **Regular Checks:** Inspect fittings to ensure screws and wall plugs remain secure.
- . **Safety Reminder:** Always use appropriate fixings and regularly verify stability.

Using Camlocks

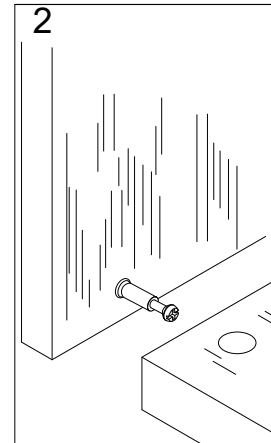
Step 1

- . Attach the Male Camlock
- . Insert the male camlock into the designated hole on the panel as shown in the instructions.
- . Secure it firmly using a screwdriver, ensuring it is tightly fitted.



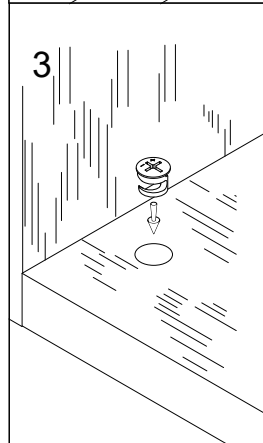
Step 2

- . Insert the Male Camlock into the Entry Hole
- . Push the panel with the male camlock into the corresponding entry hole of the other panel.
- . Ensure the panels are aligned correctly to avoid damage during installation.



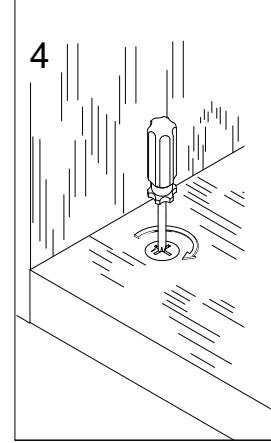
Step 3

- . Install the Female Camlock
- . Insert the female camlock into the pre-drilled hole on the receiving panel.
- . Ensure the arrow on the top of the camlock points towards the entry hole for the male camlock.



Step 4

- . Tighten the Female Camlock
- . Using a screwdriver, turn the female camlock clockwise until it locks the male camlock in place.
- . You should feel a click or resistance once the camlock is fully secured.



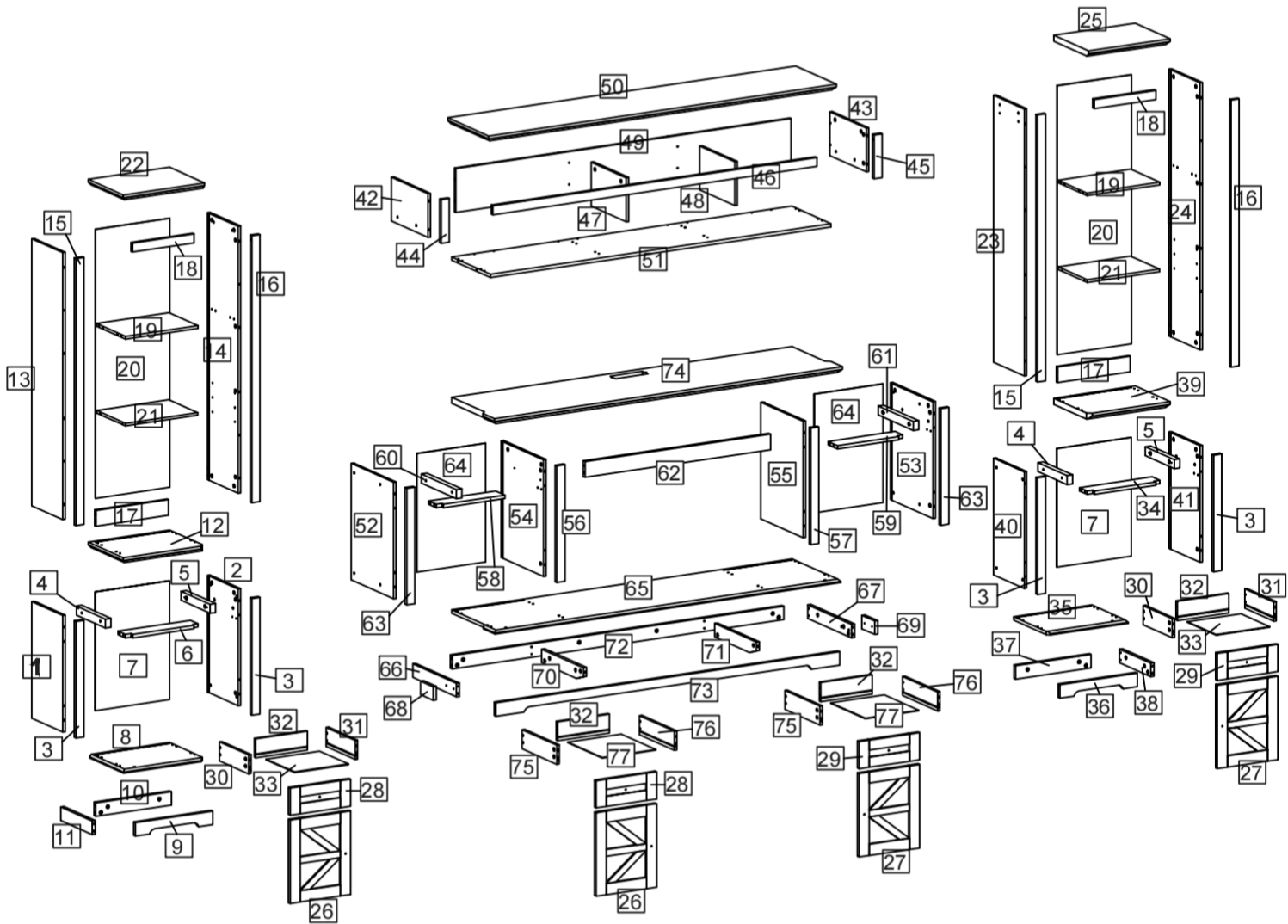
Note:

- . Do not overtighten to prevent damage to the camlock or the panel.
- . Ensure all camlocks are installed firmly before proceeding to the next assembly step.

Tips for Best Results:

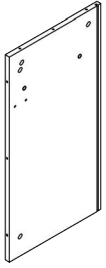
- . Use a manual screwdriver to prevent overtightening.
- . Double-check alignment of the panels before tightening the camlocks to avoid misalignment.
- . If a camlock feels loose, disassemble and check for proper positioning before re-securing.

Assembly Instructions

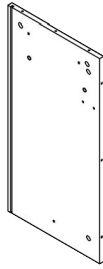


The box 1

Please check you have all the hardware listed below



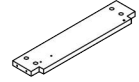
1 (513x265x12mm)x1



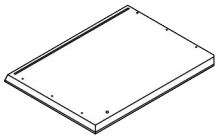
2 (513x265x12mm)x1



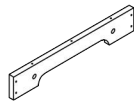
3 (513x40x15mm)x4



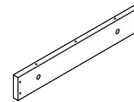
6 (360x80x15mm)x1



8 (400x295x15mm)x1



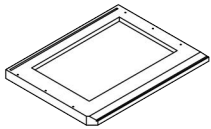
9 (390x65x15mm)x1



10 (390x65x15mm)x1



11 (255x65x15mm)x2



12 (404x300x27mm)x1



13 (1193x265x12mm)x1



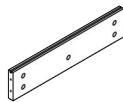
14 (1193x265x12mm)x1



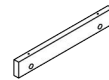
15 (1193x40x15mm)x2



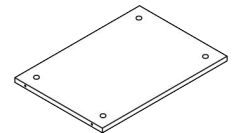
16 (1193x40x15mm)x2



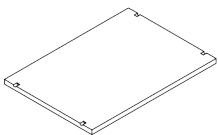
17 (360x80x15mm)x2



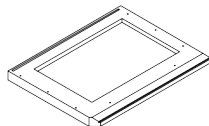
18 (305x40x15mm)x2



19 (360x252x12mm)x2



21 (358x252x12mm)x2



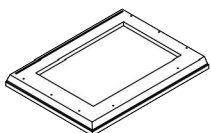
22 (404x300x27mm)x1



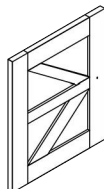
23 (1193x265x12mm)x1



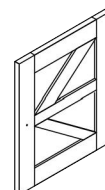
24 (1193x265x12mm)x1



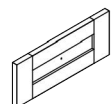
25 (404x300x27mm)x1



26 (366x300x15mm)x2



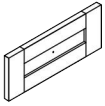
27 (366x300x15mm)x2



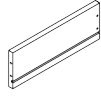
28 (300x119x15mm)x2

The box 1 continued

Please check you have all the hardware listed below



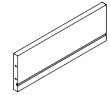
29 (300x119x15mm)x2



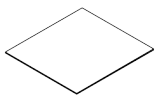
30 (250x90x12mm)x2



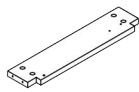
31 (250x90x12mm)x2



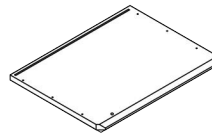
32 (255x90x12mm)x4



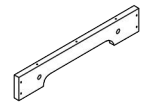
33 (266x247x2.7mm)x2



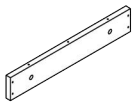
34 (360x80x15mm)x1



35 (400x295x15mm)x1



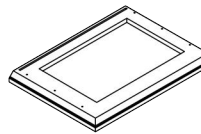
36 (390x65x15mm)x1



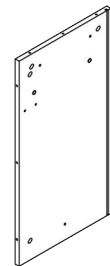
37 (390x65x15mm)x1



38 (255x65x15mm)x2



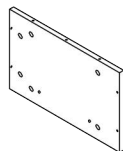
39 (404x300x27mm)x1



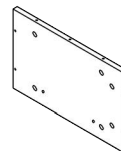
40 (513x265x12mm)x1



41 (513x265x12mm)x1



42 (318x198x12mm) x1



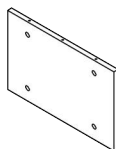
43 (318x198x12mm) x1



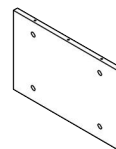
44 (198x40x15mm) x1



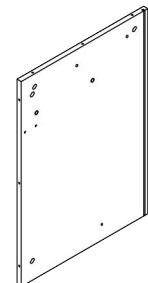
45 (198x40x15mm) x1



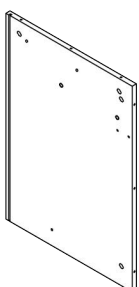
47 (307x198x12mm) x1



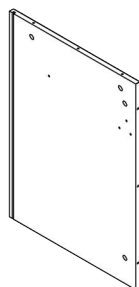
48 (307x198x12mm) x1



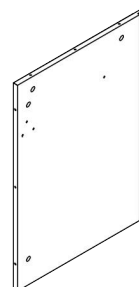
52 (513x365x12mm)x1



53 (513x365x12mm)x1



54 (513x365x12mm)x1



55 (513x365x12mm)x1



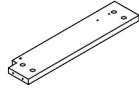
56 (513x40x15mm)x1

The box 1 continued

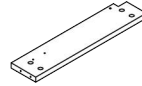
Please check you have all the hardware listed below



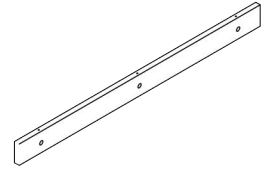
57 (513x40x15mm)x1



58 (397x80x15mm)x1



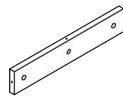
59 (397x80x15mm)x1



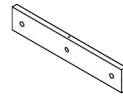
62 (915x60x15mm)x1



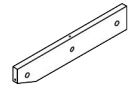
63 (513x40x15mm)x2



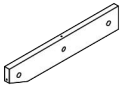
66 (355x65x15mm)x1



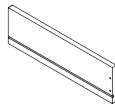
67 (355x65x15mm)x1



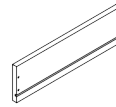
70 (355x65x15mm)x1



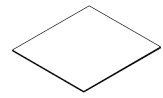
71 (355x65x15mm)x1



75 (300x90x12mm)x2



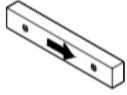
76 (300x90x12mm)x2



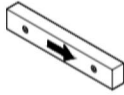
77 (266x297x2.7mm)x2

The box 2

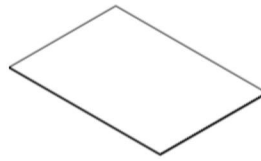
Please check you have all the hardware listed below



4 (247x40x27mm)x2



5 (247x40x27mm)x2



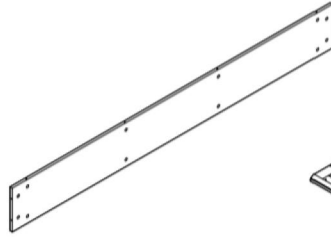
7 (523x369x2.7mm)x2



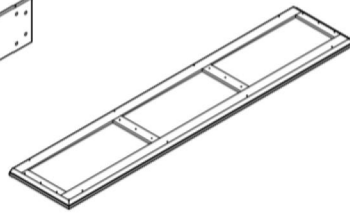
20 (1125x370x2.7mm)x2



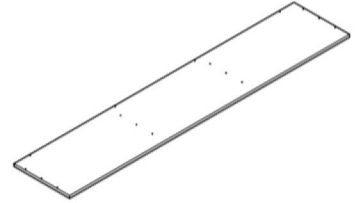
46 (1606x45x15mm)x1



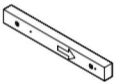
49 (1662x198x12mm)x1



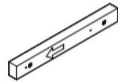
50 (1726x355x27mm)x1



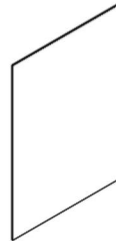
51 (1688x335x15mm)x1



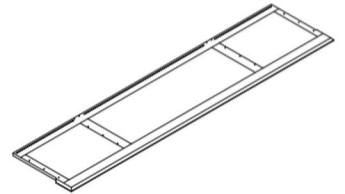
60 (352x40x27mm)x1



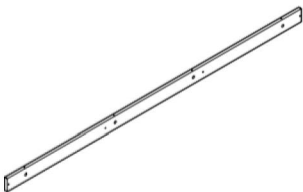
61 (352x40x27mm)x1



64 (526x374x2.7mm)x2



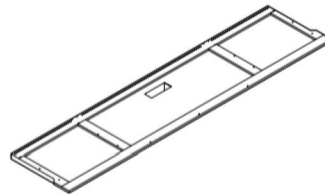
65 (1716x395x15mm)x1



72 (1685x65x15mm)x1



73 (1685x65x15mm)x1

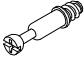




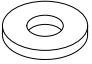
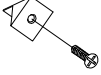
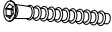

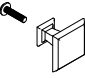
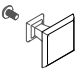
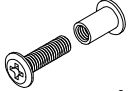
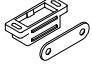

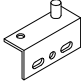
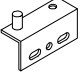


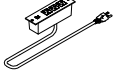

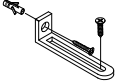
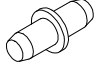







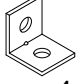




74 (1726x400x27mm)x1

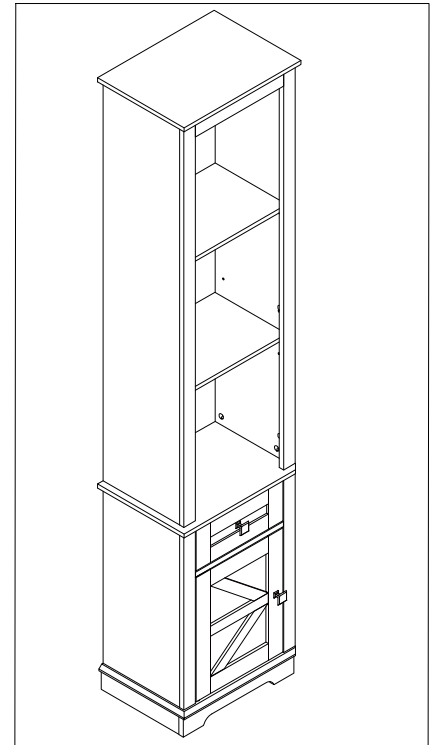
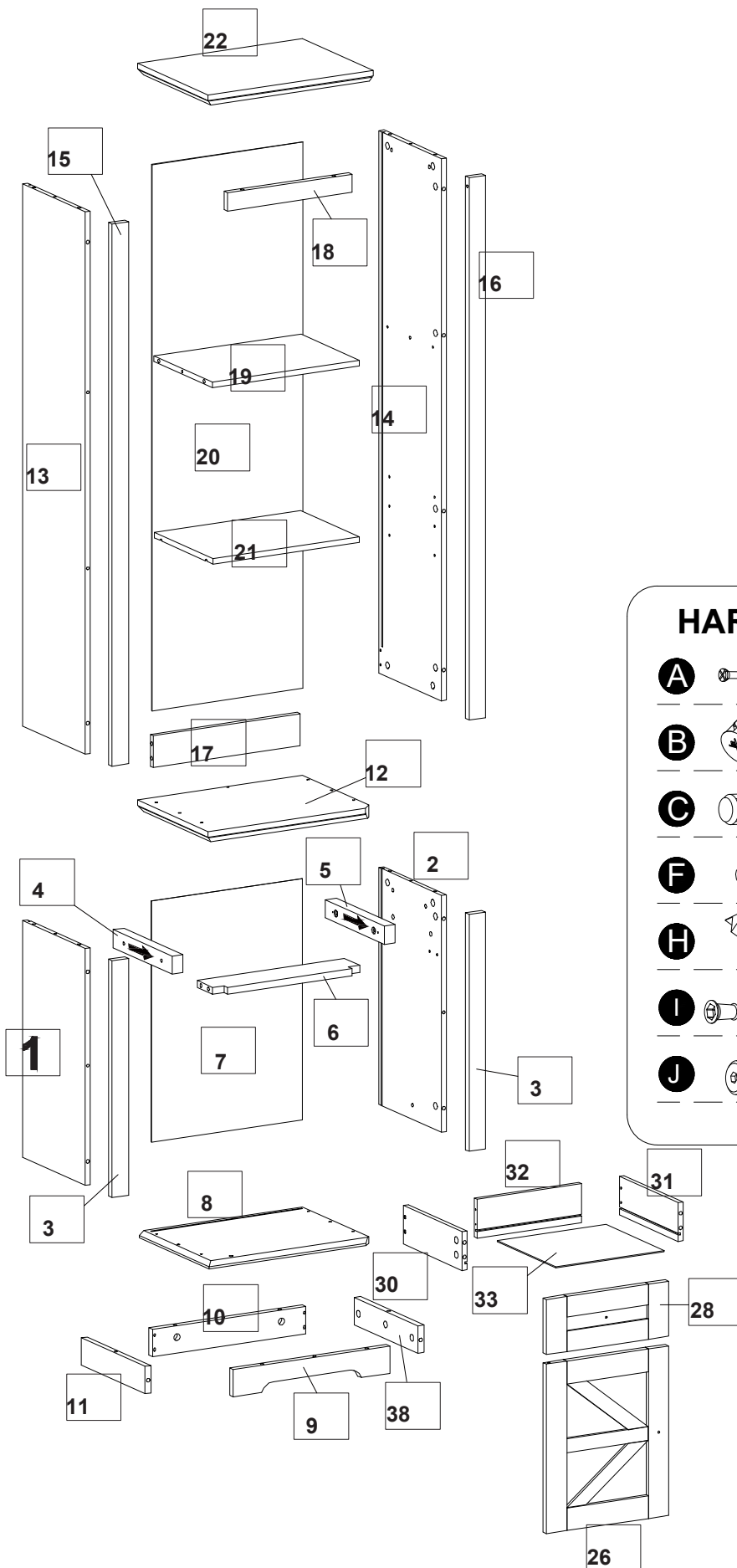
The box 1 continued

Please check you have all the hardware listed below

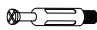
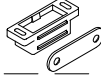






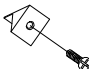


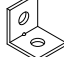

Note: The quantitie below are the correct amount to complete the assembly. In some cases more fittings may be supplied than are required.

<p>A  6*40mm Ø1/4*1-37/64" x 197</p>	<p>B  Ø15*10mm Ø19/32*25/64" x 197</p>	<p>C  Ø6*30mm Ø1/4*1-3/16" x 56</p>
<p>D1  Drawer slider 12" x 2</p>	<p>E1  Drawer slider 10" x 2</p>	<p>F  3*12mm Ø1/8*15/32" x 72</p>
<p>G  Ø12*4mm Ø15/32*5/32" x 4</p>	<p>H  Back Panel Stiffener x 28</p>	<p>I  5*40mm Ø13/64*1-37/64" x 36</p>
<p>J  6*30mm Ø1/4*1-3/16" x 12</p>	<p>K  Handle & Fixings x 4</p>	<p>L  Handle & Fixings x 4</p>
<p>M  x 10</p>	<p>N  Door stopper x 4</p>	<p>O  Plastic pivot x 8</p>
<p>P  Door Hinge x 4</p>	<p>Q  Door Hinge x 4</p>	<p>R  3*16mm Ø1/8*19/32" x 36</p>
<p>S  Protective Feet x 23</p>	<p>T  Socket x1</p>	<p>AD  Allen Key M4 Ø5/32"x 2</p>
<p>V  Wall Fixing Pack x 4</p>	<p>W  Shelf Support Pin x 8</p>	<p>AE  Allen Key M3 Ø1/8"x 2</p>
<p>Z  6*15mm Ø1/4*1-19/32" x 8</p>	<p>D2  Drawer slider 12" x 2</p>	<p>D3  Drawer slider 12" x 2</p>
<p>D4  Drawer slider 12" x 2</p>	<p>E2  Drawer slider 10" x 2</p>	<p>E3  Drawer slider 10" x 2</p>
<p>E4  Drawer slider 10" x 2</p>	<p>AA  Connector x 4</p>	<p>AB  Sticker x 60</p>
<p>AC  Allen Key M5 Ø13/64" x 2</p>		

Left cabinet

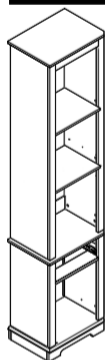


HARDWARE ACCESSORY LIST

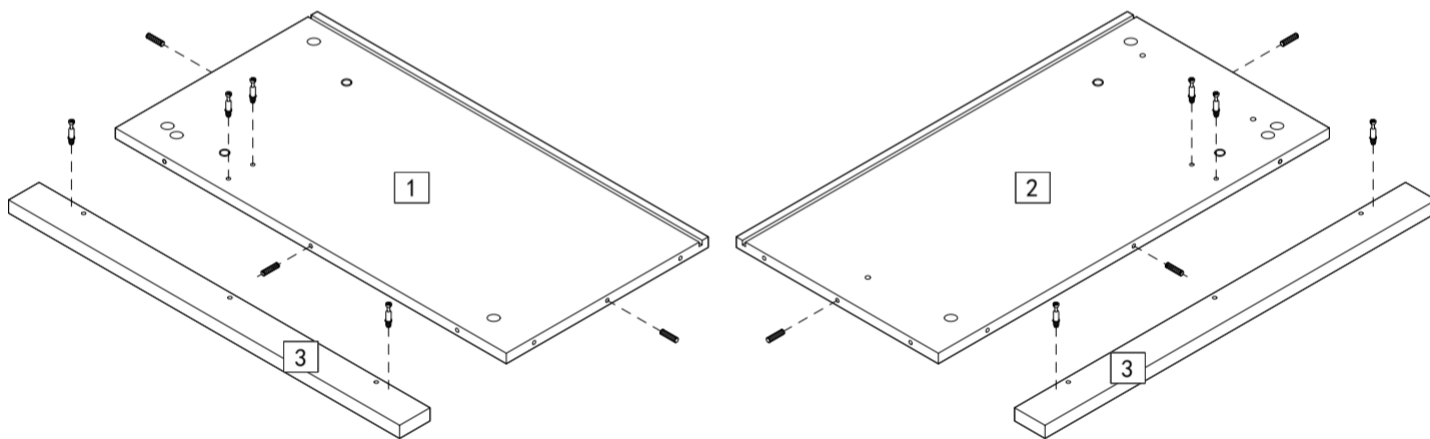
A		Ø1/4"×1-37/64" Φ6*40mm 49PCS	N		1PCS
B		Ø19/32"×25/64" Φ15*10mm 49PCS	O		2PCS
C		Ø1/4"×1-3/16" Φ6*30mm 12PCS	R		Ø1/8"×1-19/32" M3*16mm 2PCS
F		Ø1/8"×15/32" M3*12mm 6PCS	S		6PCS
H		10PCS	Z		Ø15/64"×19/32" M6*15mm 4PCS
I		Ø13/64"×1-37/64" M5*40mm 4PCS	AA		2PCS
J		Ø15/64"×3/16" M6*30mm 4PCS			

Assembly Instructions

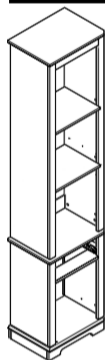
Step 1



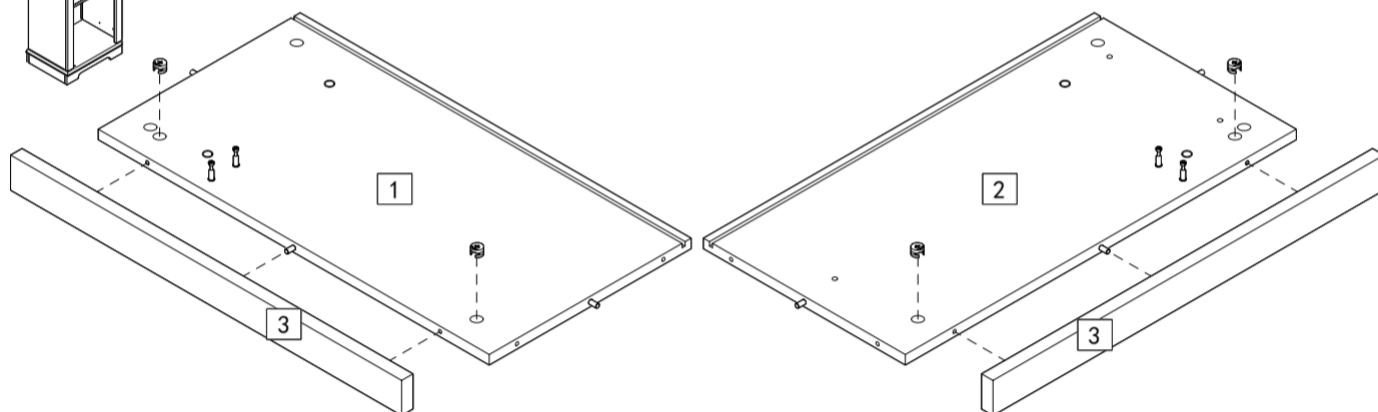
Attach component A to panels 1, 2, and 3.



Step 2



- Use hardware B to connect panels 1 and 3, then tighten.
- Use hardware B to connect panels 2 and 3, then tighten.

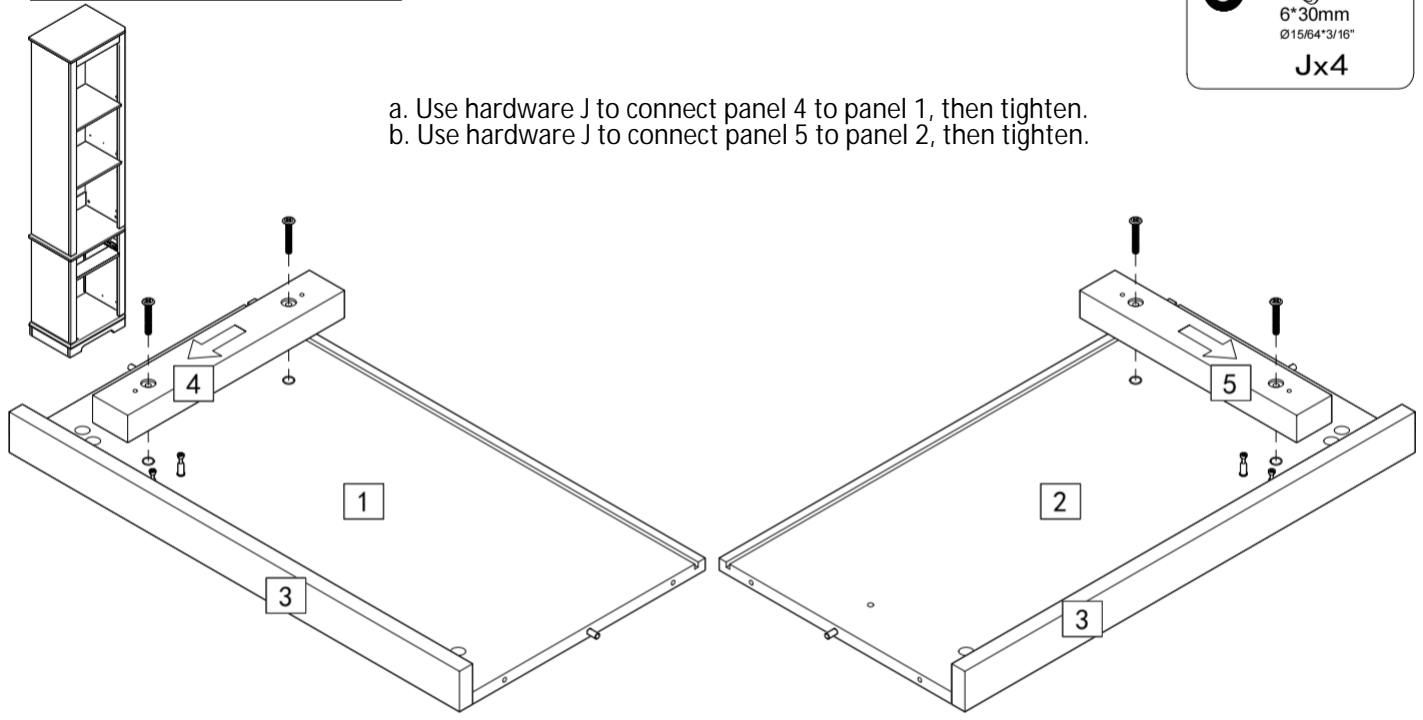


Assembly Instructions

Step 3

J
6*30mm
Ø15/Ø4*3/16"
Jx4

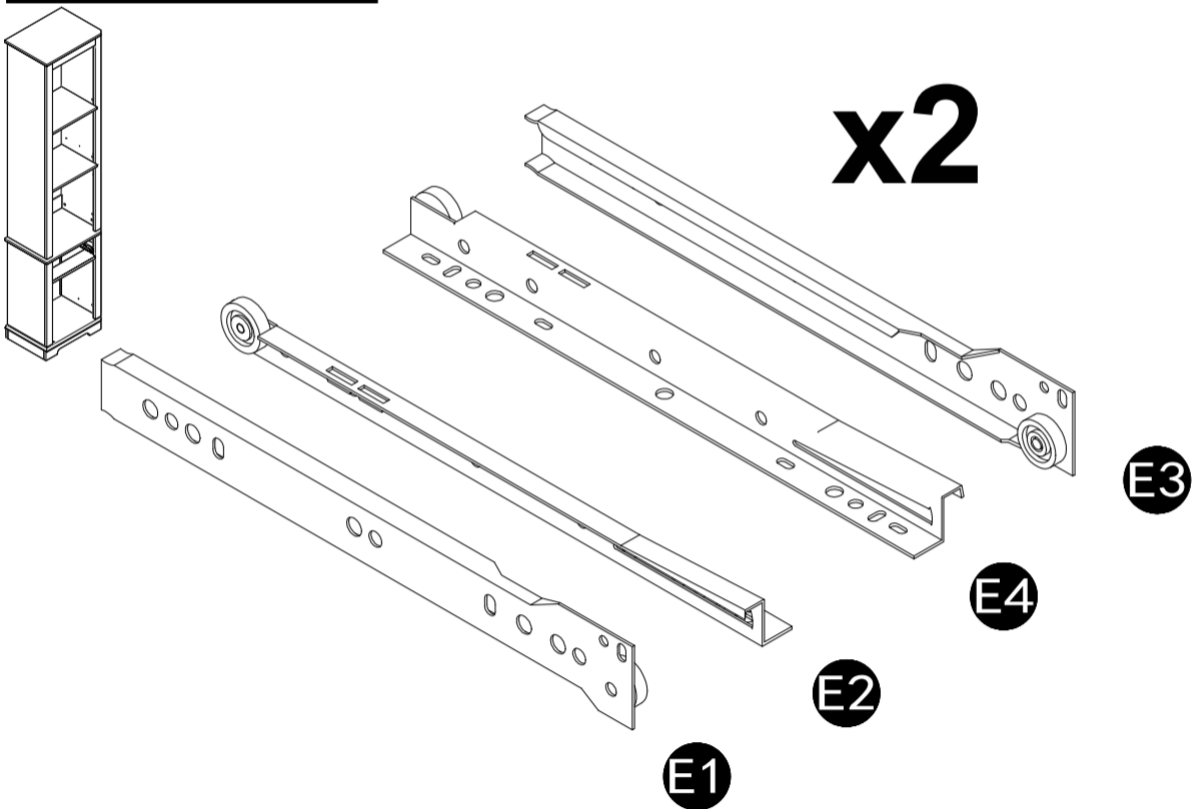
- a. Use hardware J to connect panel 4 to panel 1, then tighten.
- b. Use hardware J to connect panel 5 to panel 2, then tighten.



Step 4

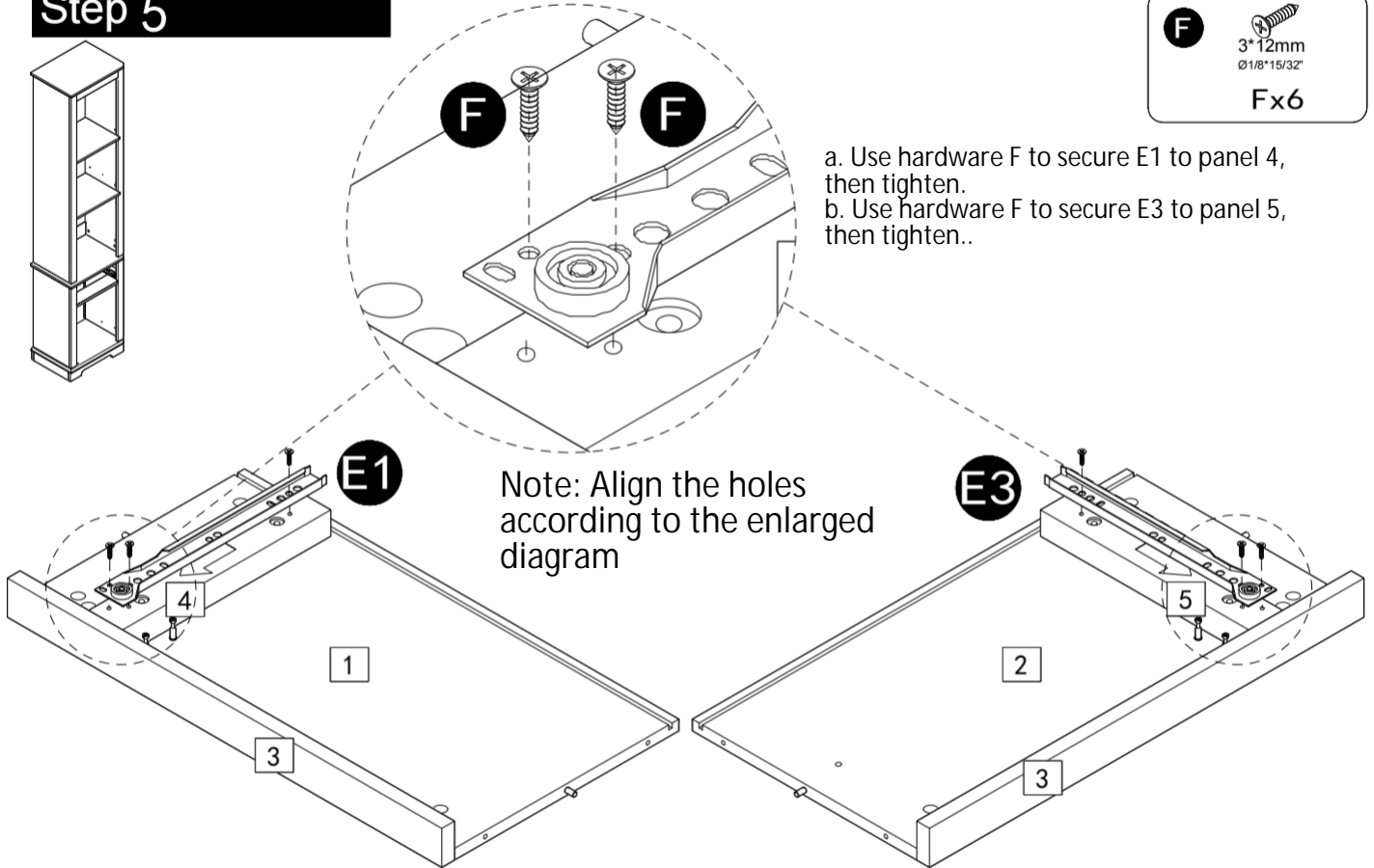
(Blank step provided in the original text)

x2

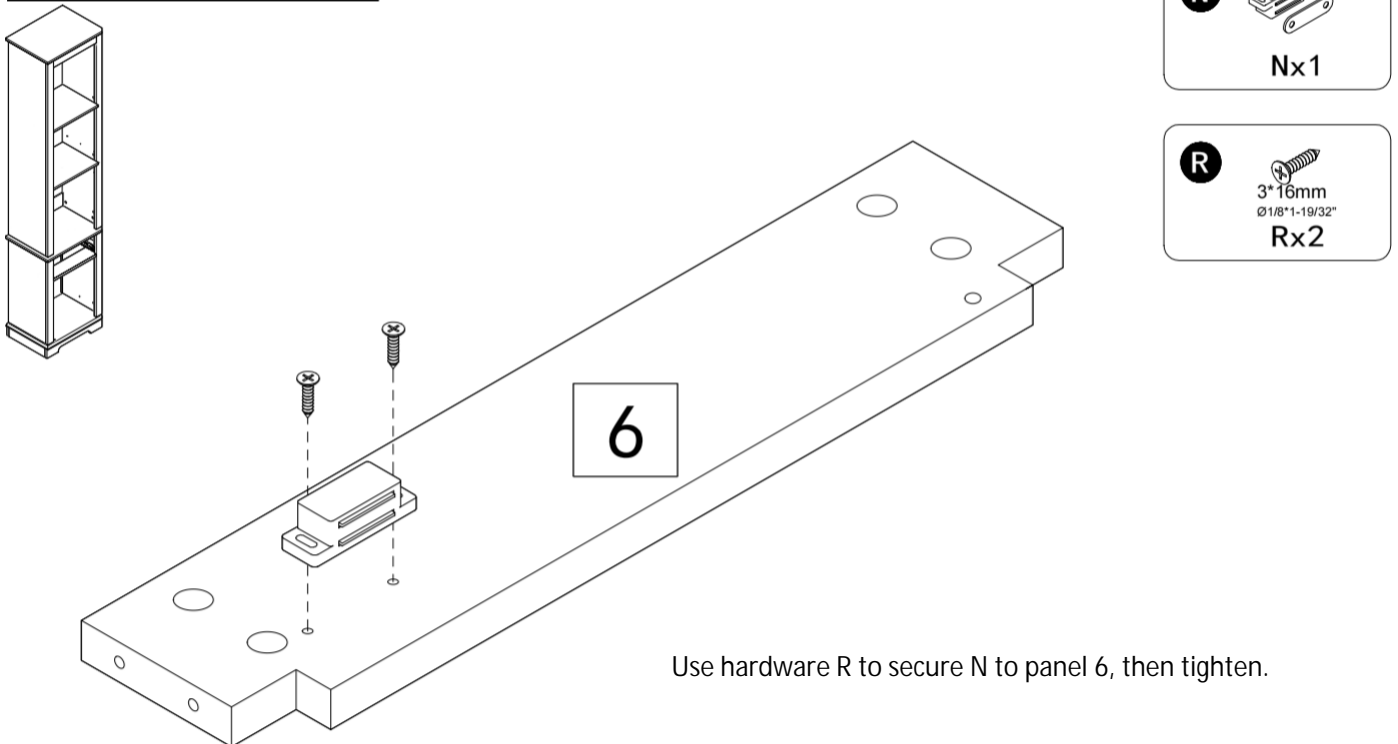


Assembly Instructions

Step 5

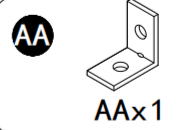
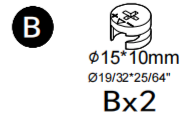
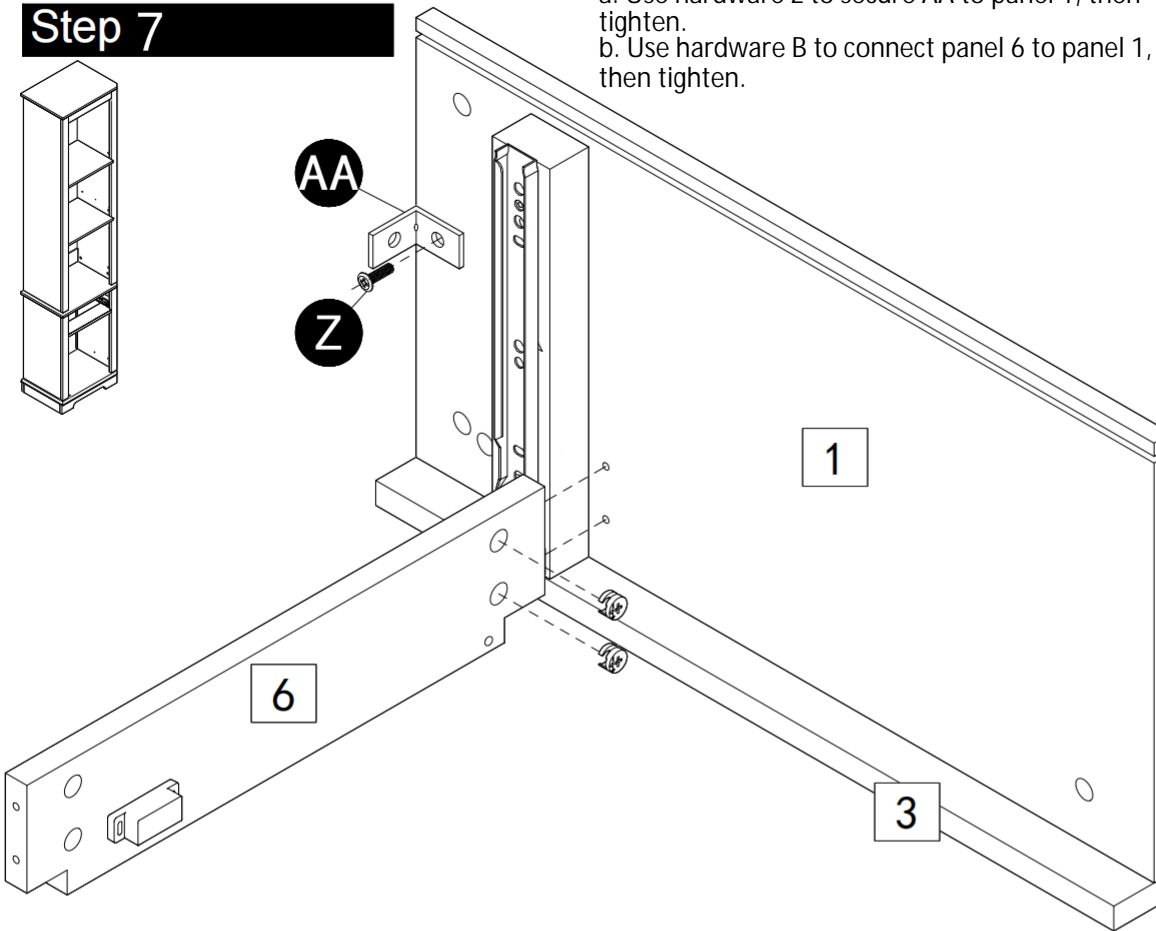


Step 6

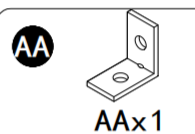
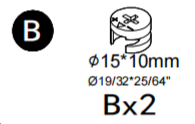
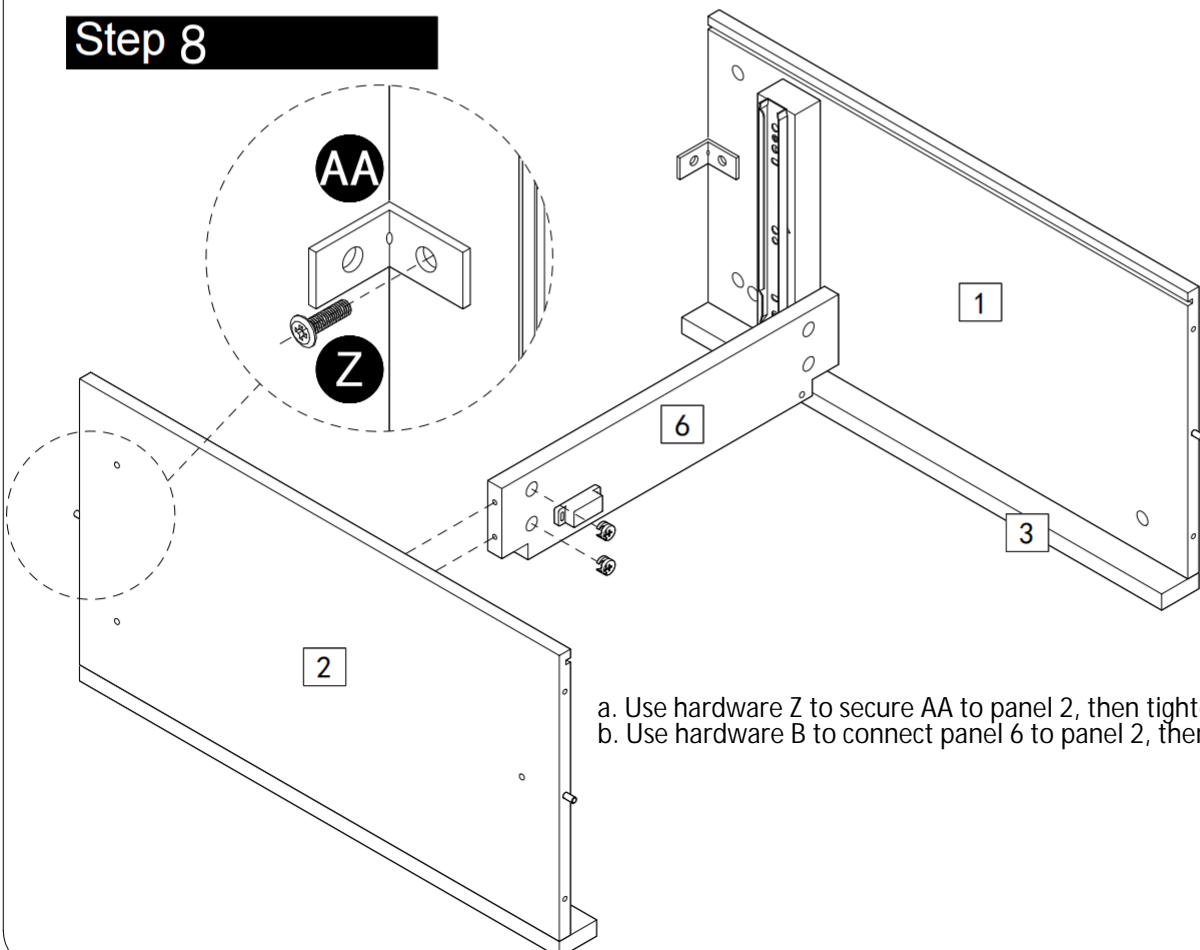


Assembly Instructions

Step 7

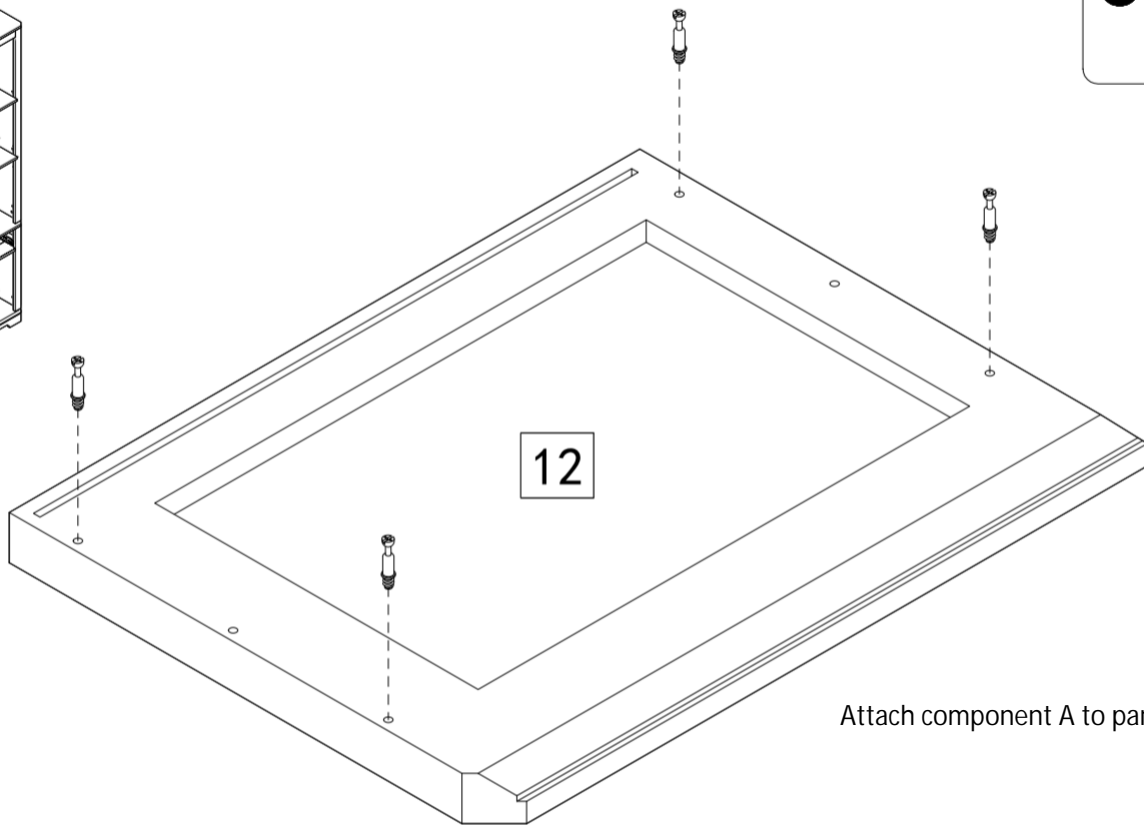
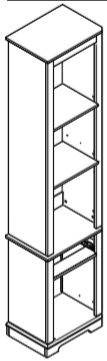


Step 8



Assembly Instructions

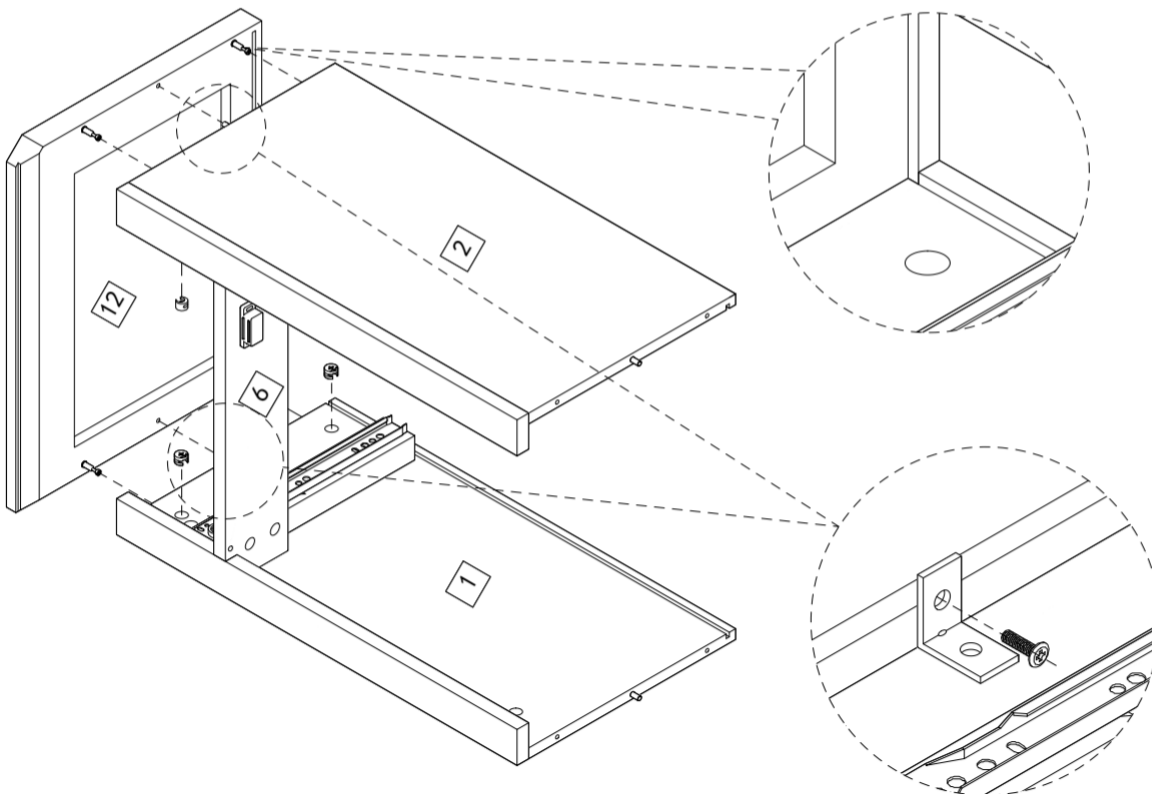
Step 9



Attach component A to panel 12.

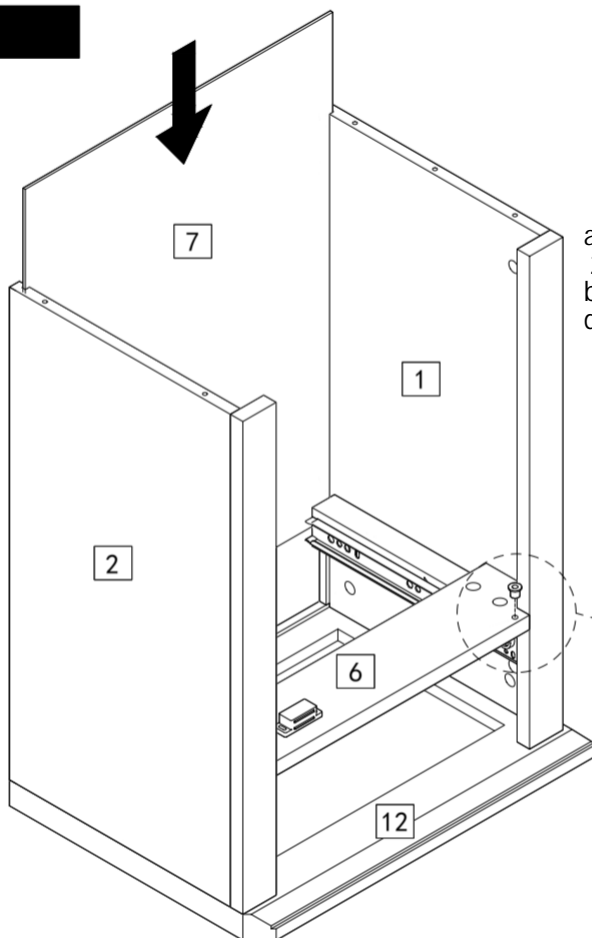
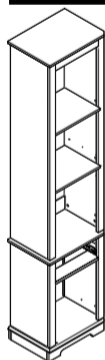
Step 10

- Use hardware B to connect panel 12 with panels 1 and 2, then tighten.
- Use hardware Z to connect AA to panel 12, then tighten.



Assembly Instructions

Step 11

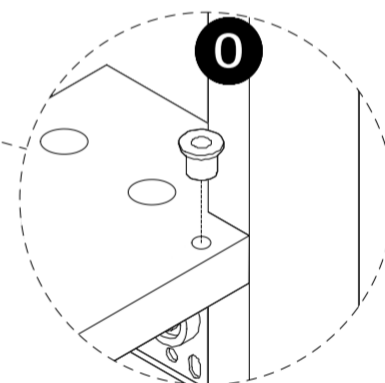


0

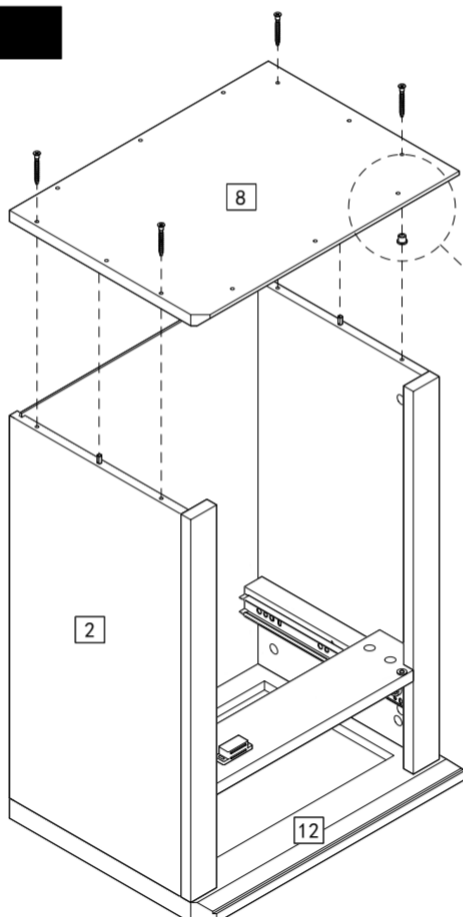
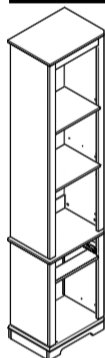


Ox1

- a. Insert panel 7 into the slots of panels 1 and 2 as shown in the diagram.
- b. Insert O into panel 6 as shown in the diagram.



Step 12



I



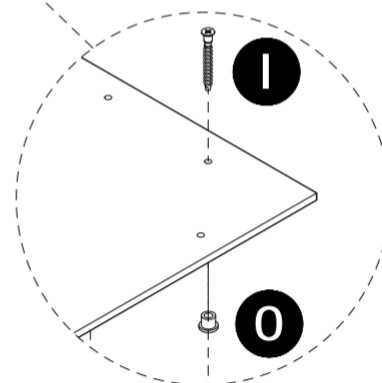
5*40mm
Ø13/64*1-37/64*
I x 4

O



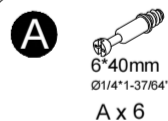
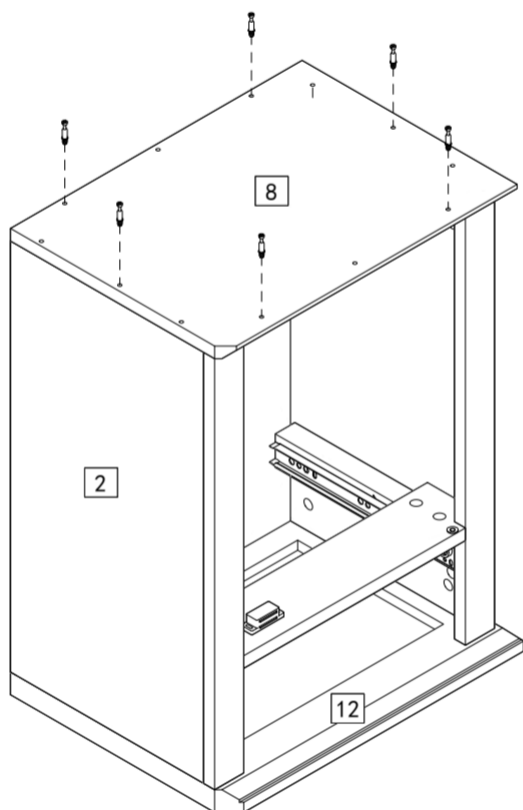
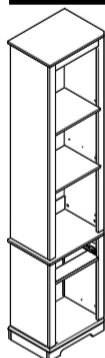
O x 1

- a. Insert O into panel 8.
- b. Use hardware I to connect panel 8 to panels 1 and 2, then tighten.



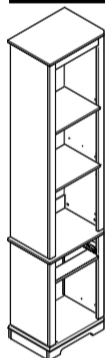
Assembly Instructions

Step 13

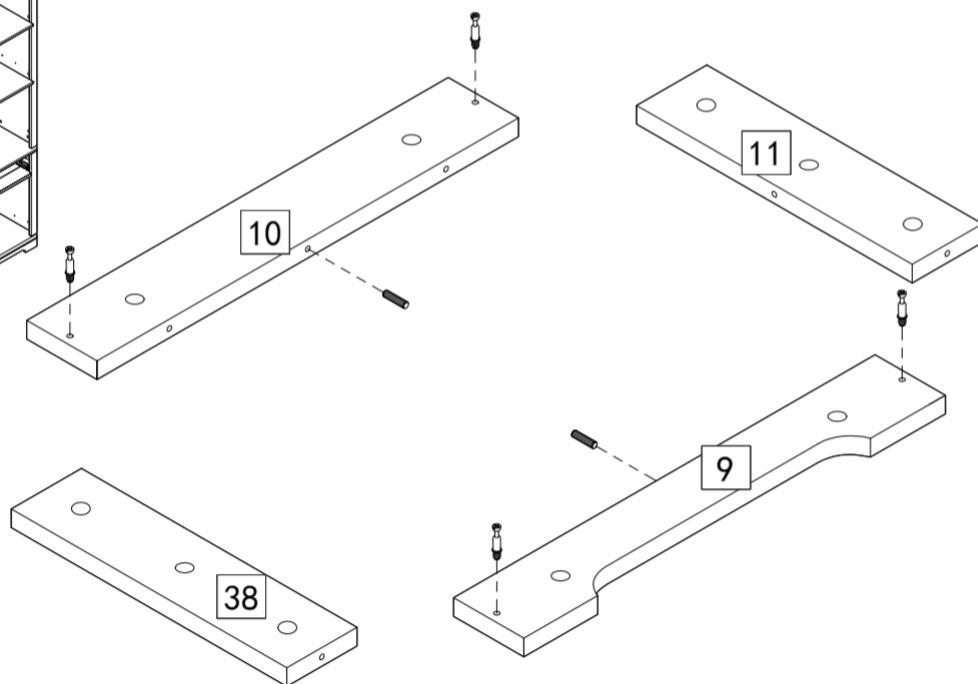


Attach component A to panel 8

Step 14

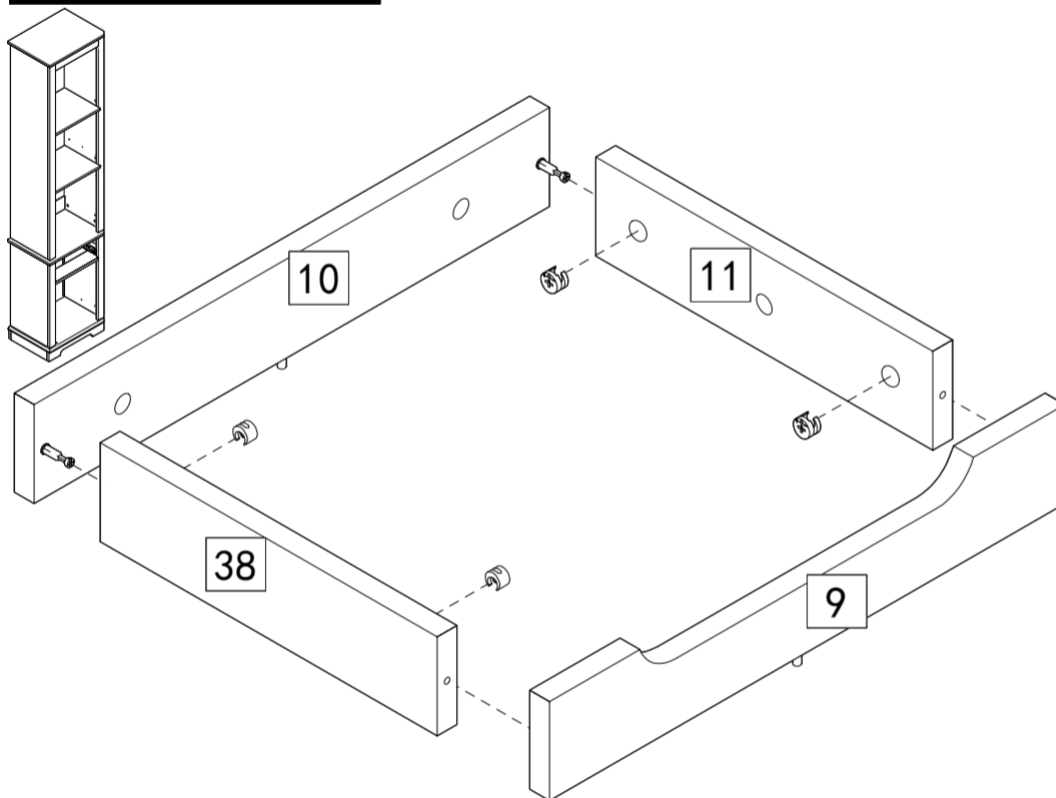


Attach components A and C to panels 9 and 10.



Assembly Instructions

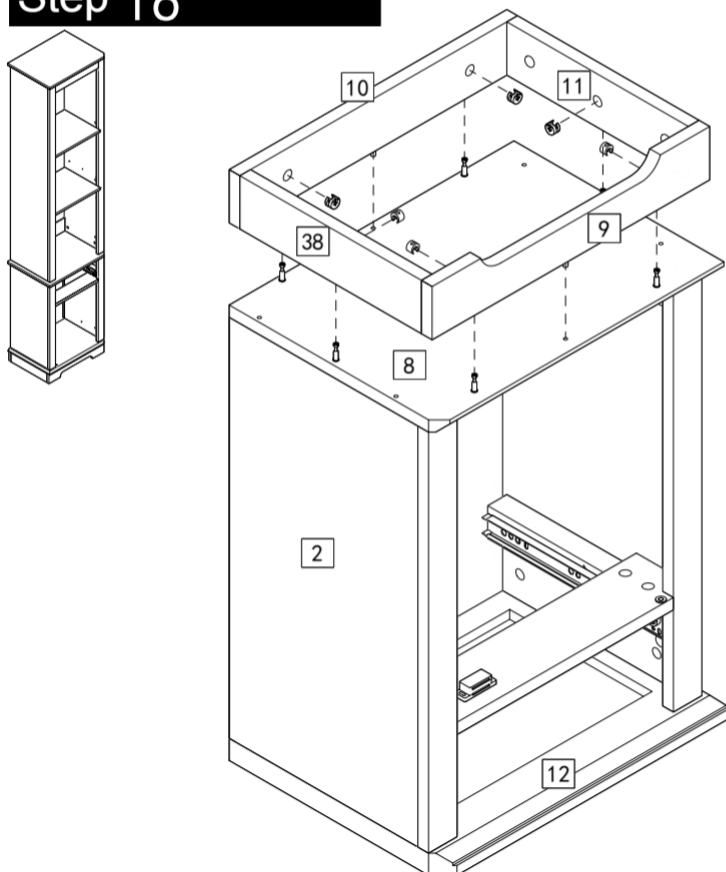
Step 15



B 
Ø15*10mm
Ø19/32*25/64"
B x 4

Use hardware B to connect panels 9, 10, 11, and 38, then tighten.

Step 16



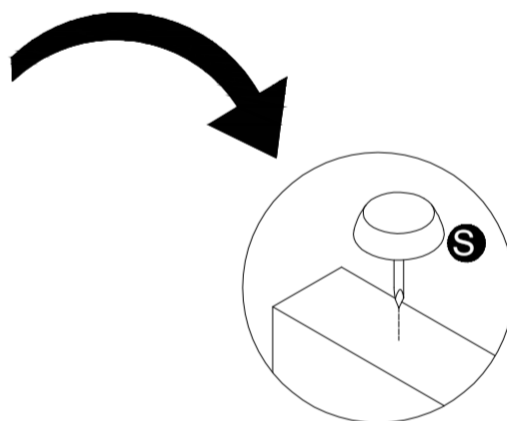
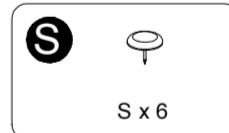
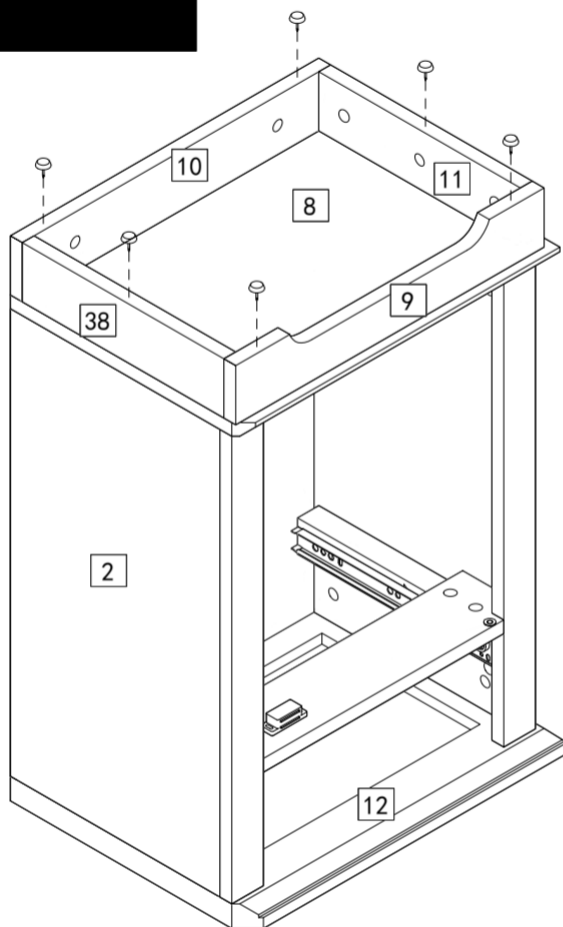
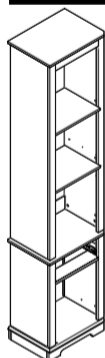
B 
Ø15*10mm
Ø19/32*25/64"
B x 6

Use hardware B to connect panels 9, 10, 11, and 38 assembly to panel 8, then tighten.

Note: Panel 9 should be installed on the door side.

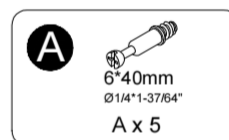
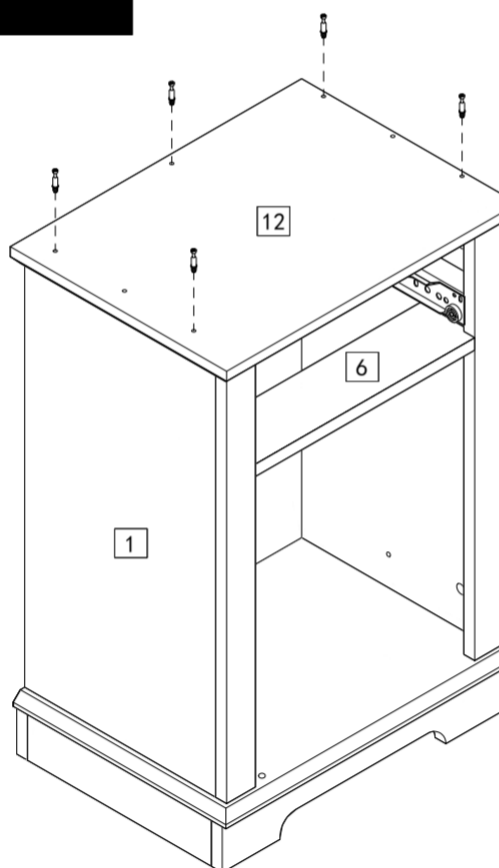
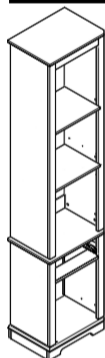
Assembly Instructions

Step 17



Install component S at the designated position.

Step 18

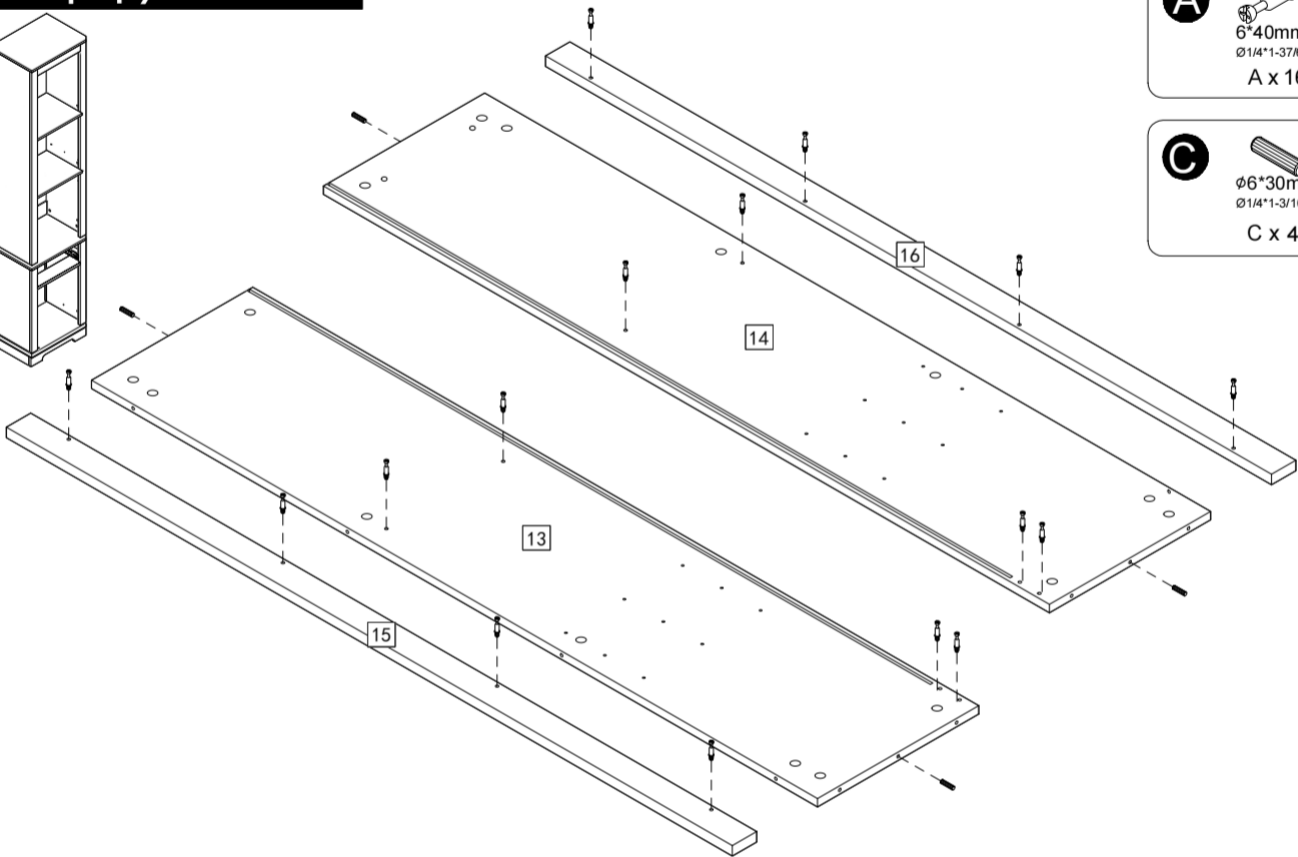
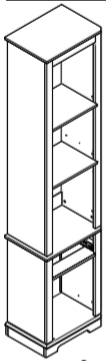


Attach component A to panel 12.

Assembly Instructions

Step 19

Attach components A and C to panels 13, 14, 15, and 16.

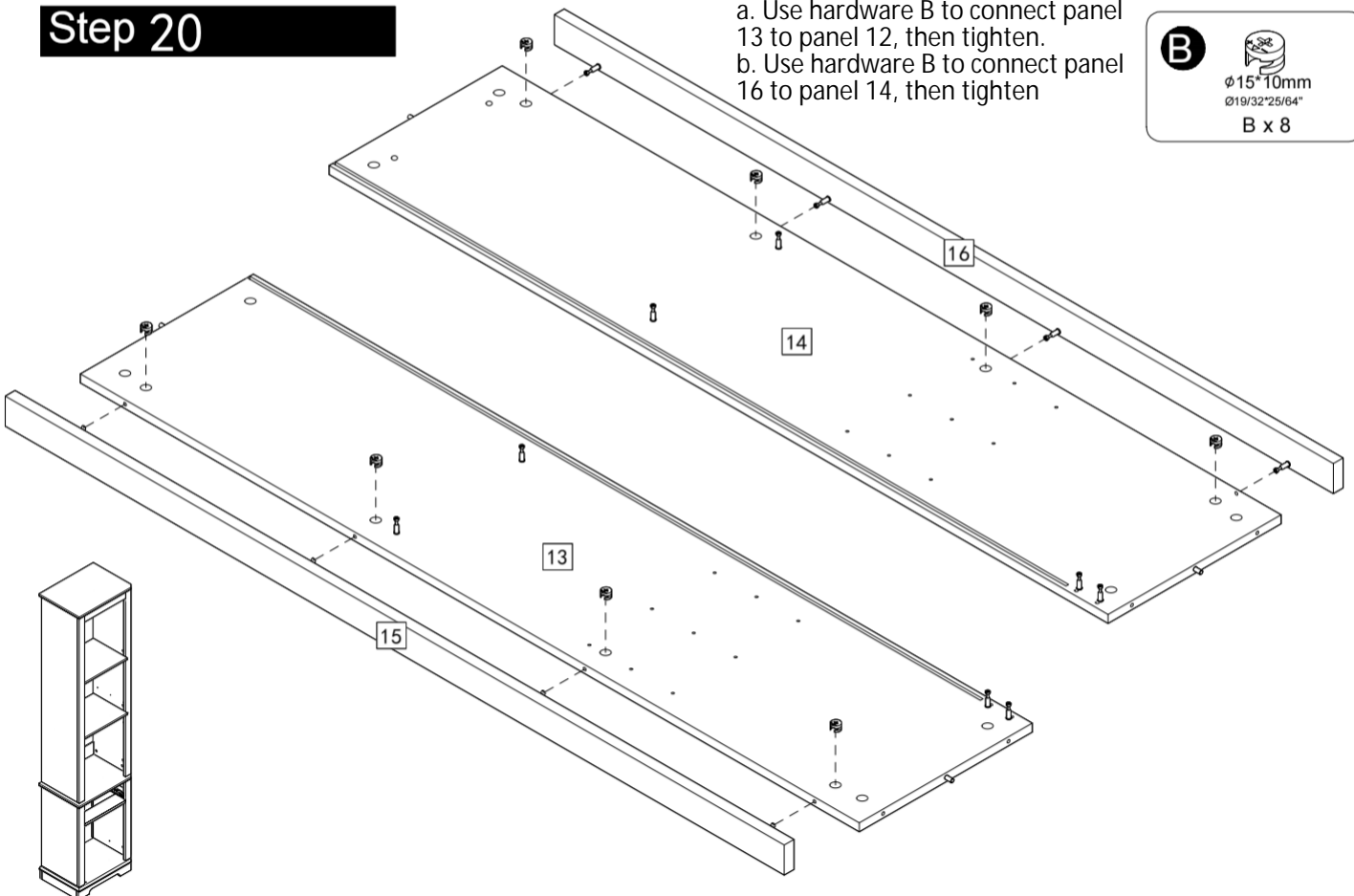


A
6*40mm
Ø1/4*1-37/64"
A x 16

C
Ø6*30mm
Ø1/4*1-3/16"
C x 4

Step 20

a. Use hardware B to connect panel 13 to panel 12, then tighten.
b. Use hardware B to connect panel 16 to panel 14, then tighten



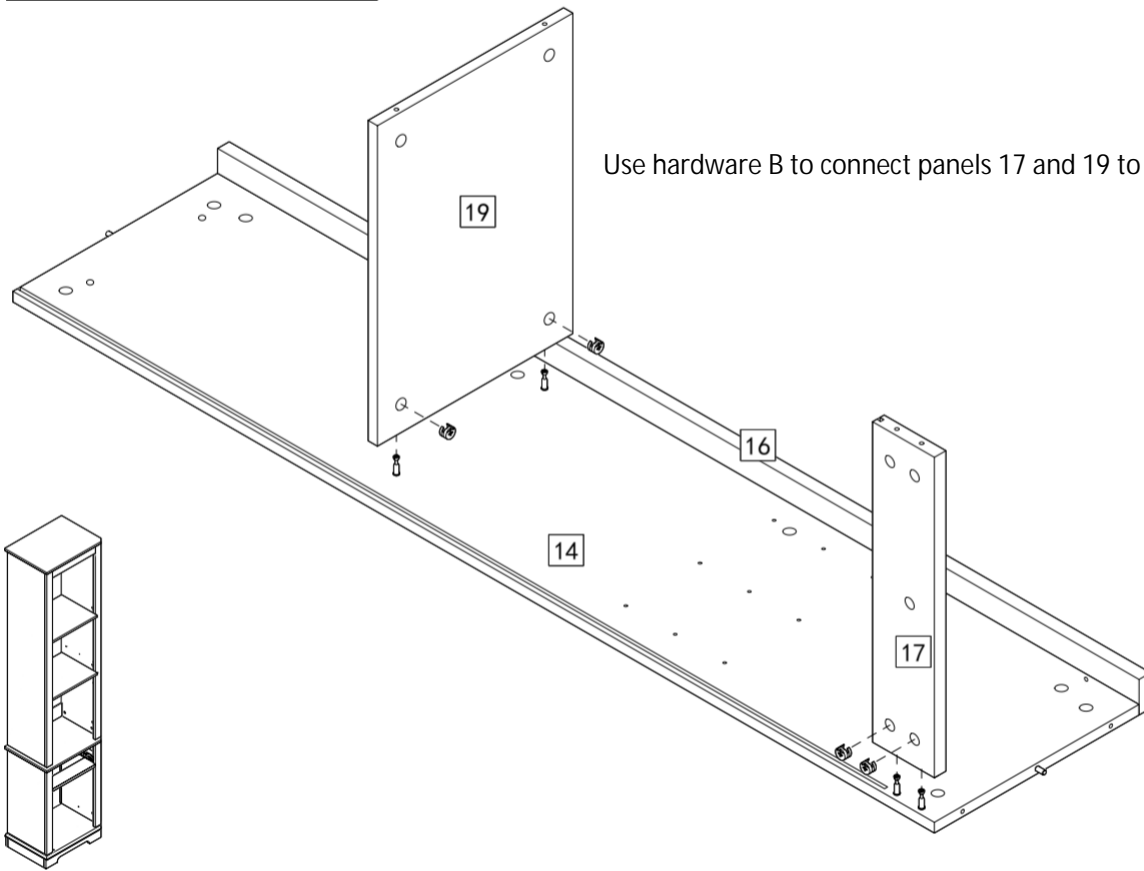
B
Ø15*10mm
Ø19/32*25/64"
B x 8

Assembly Instructions

Step 21



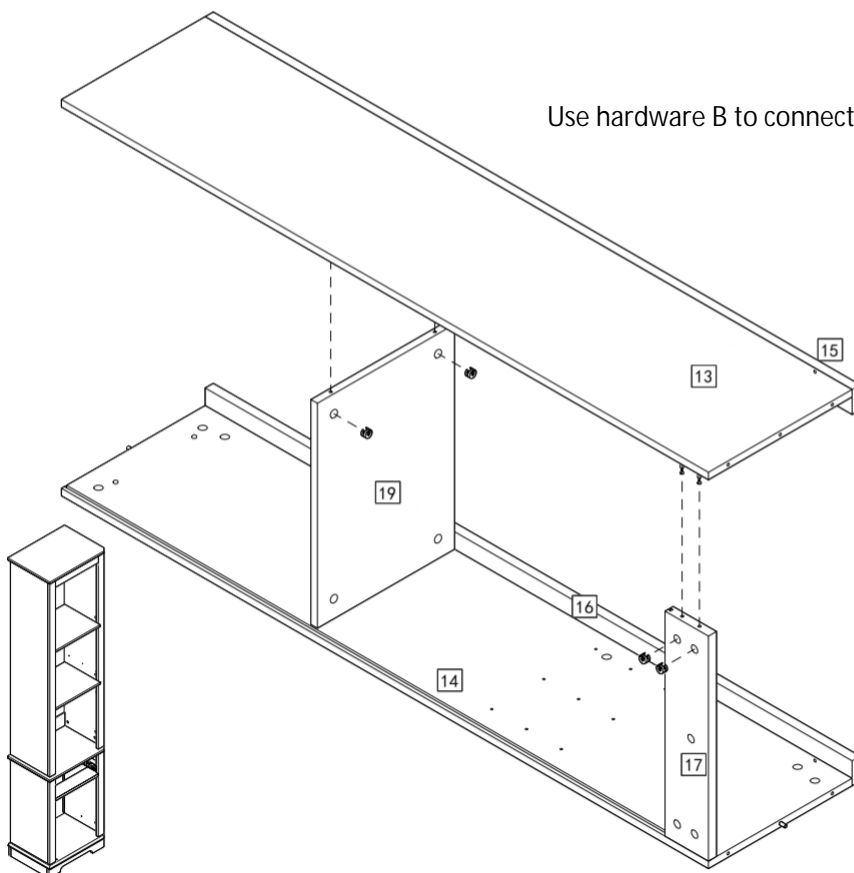
Use hardware B to connect panels 17 and 19 to panel 14, then tighten.



Step 22

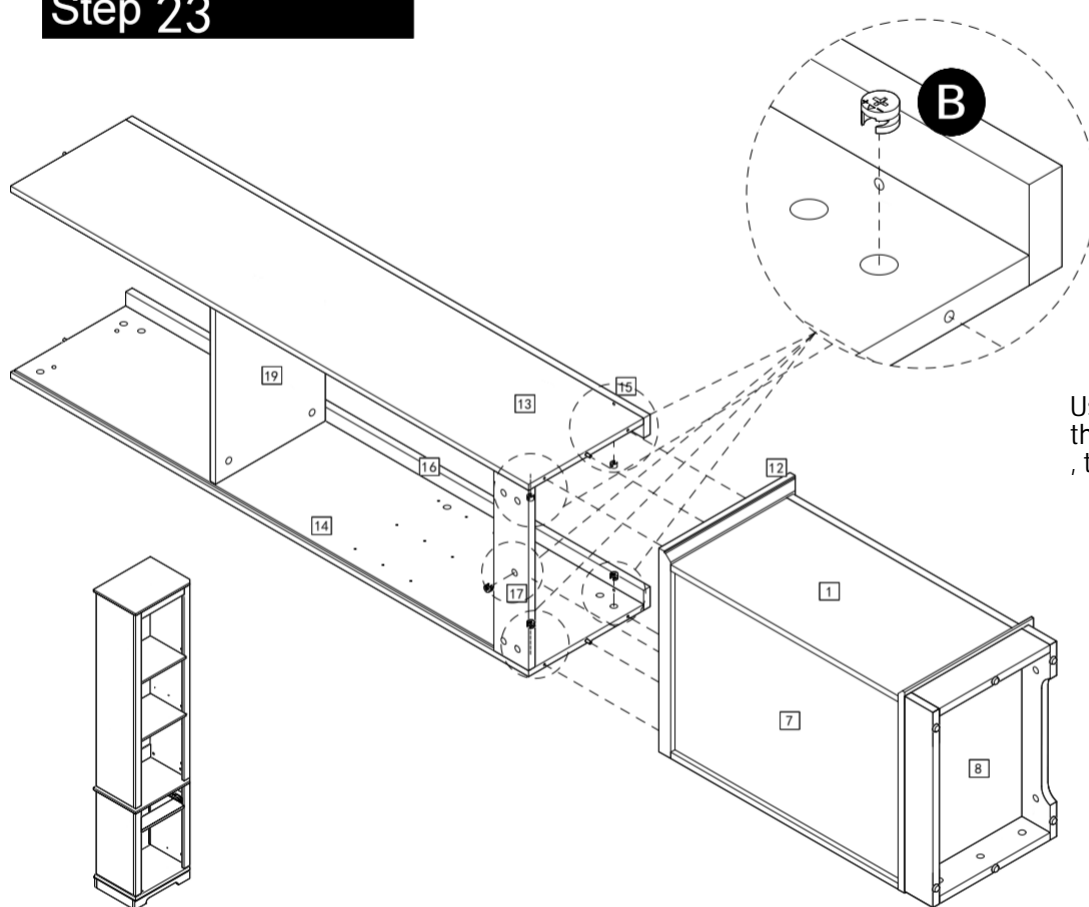


Use hardware B to connect panels 17 and 19 to panel 13, then tighten



Assembly Instructions

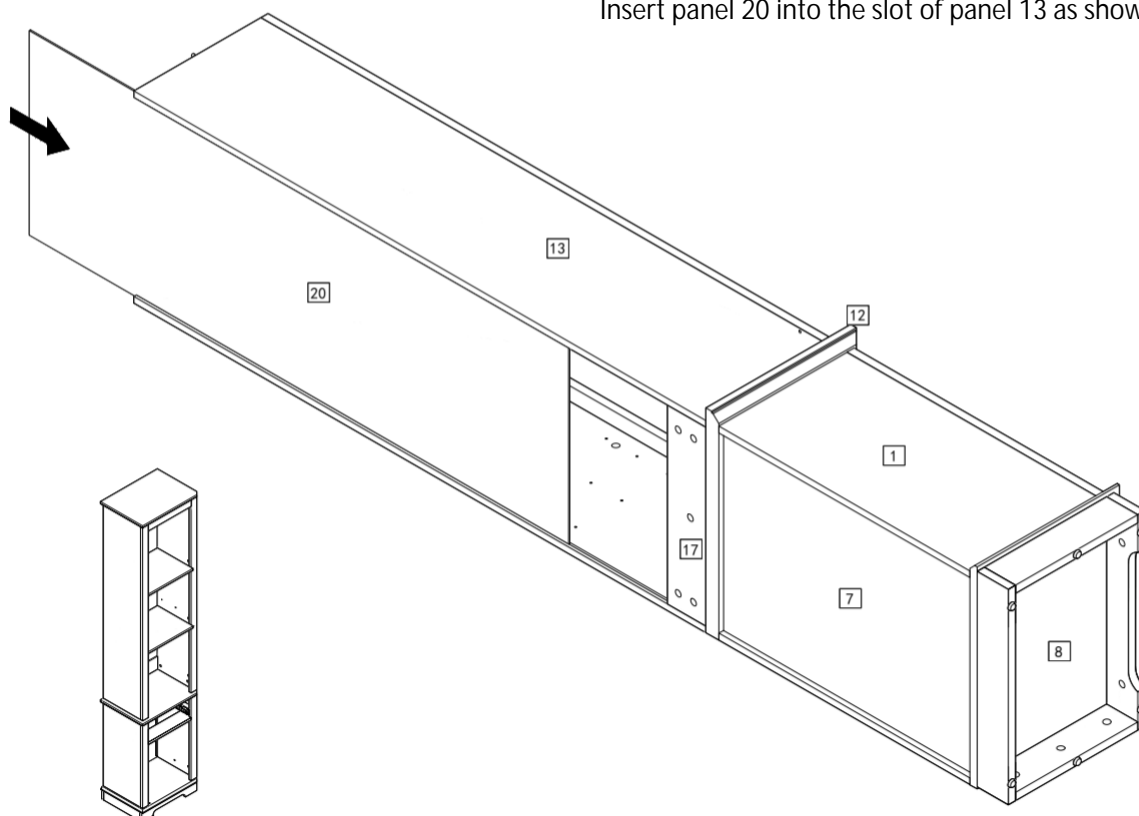
Step 23



Use hardware B to connect the upper and lower cabinets, then tighten.

Step 24

Insert panel 20 into the slot of panel 13 as shown in the diagram.



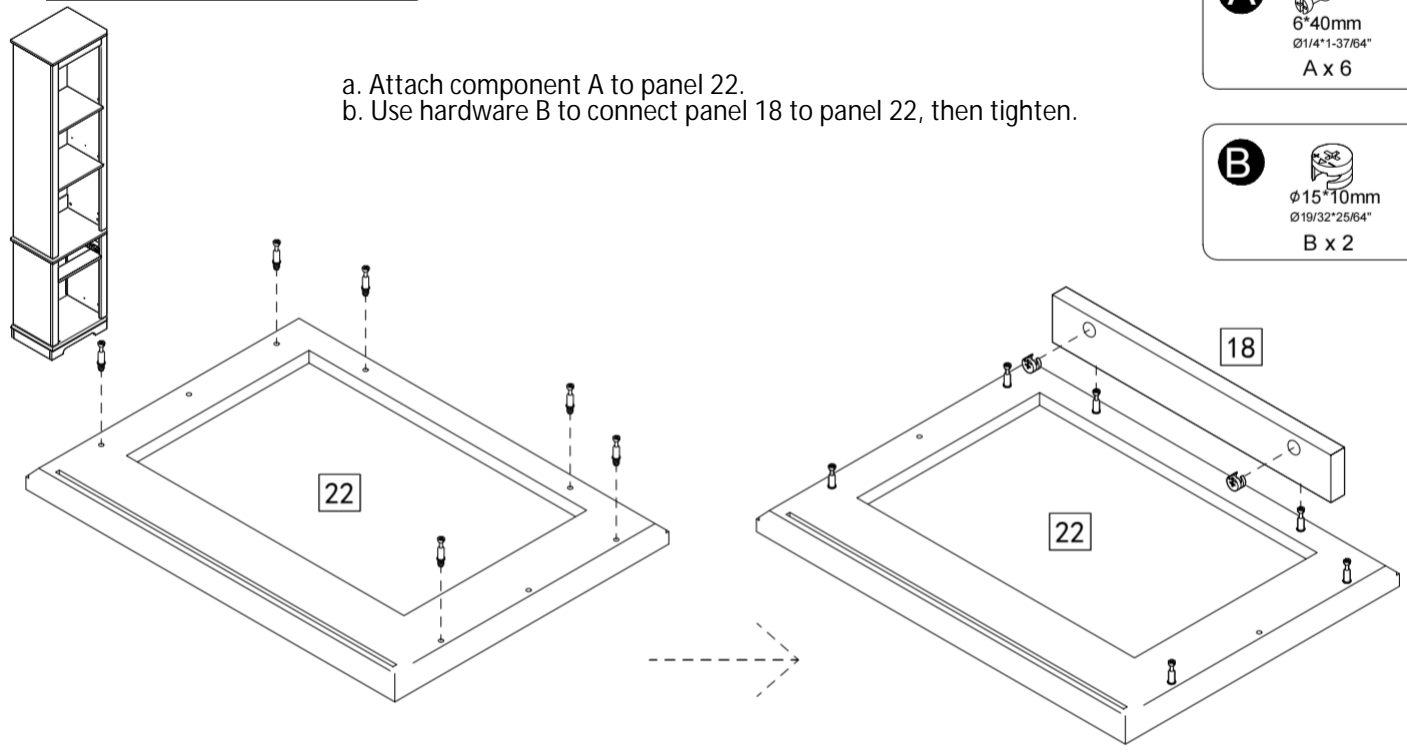
Assembly Instructions

Step 25

- a. Attach component A to panel 22.
- b. Use hardware B to connect panel 18 to panel 22, then tighten.

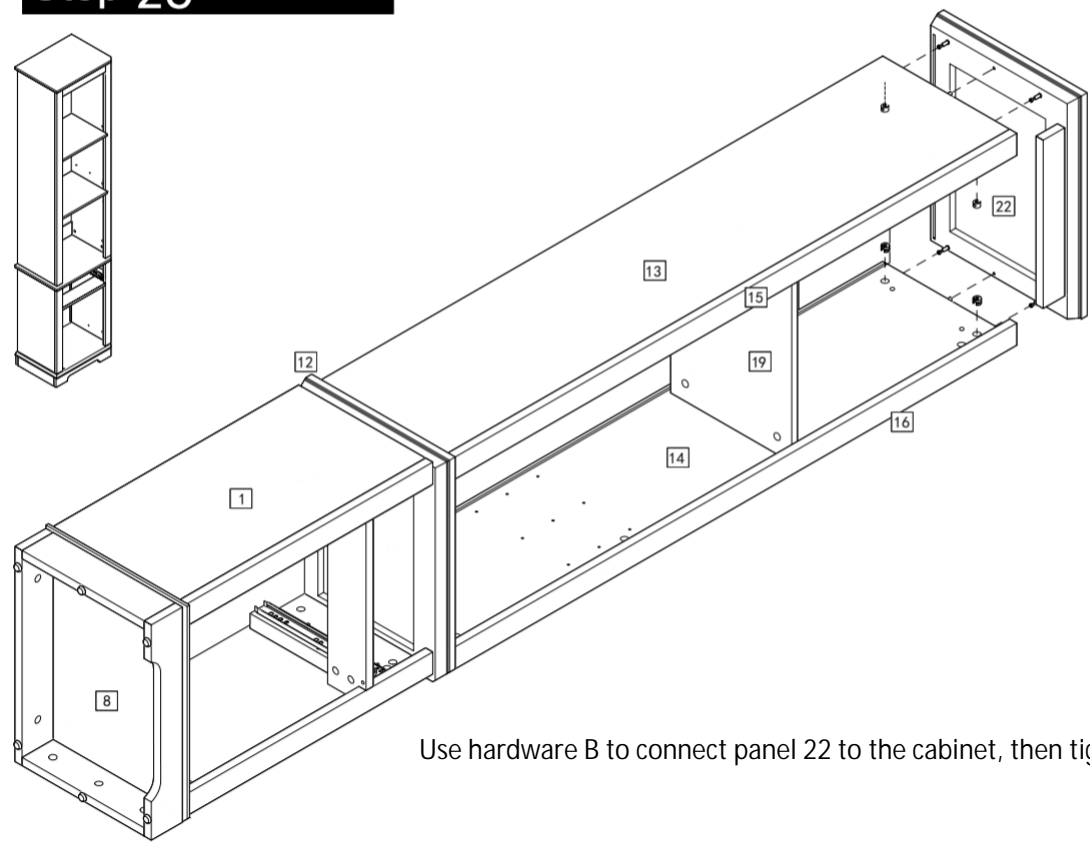
A 
6*40mm
Ø1/4*1-37/64"
A x 6

B 
Ø15*10mm
Ø19/32*25/64"
B x 2



Step 26

B 
Ø15*10mm
Ø19/32*25/64"
B x 4

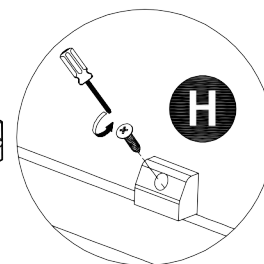
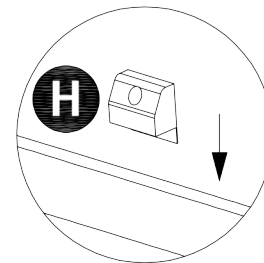
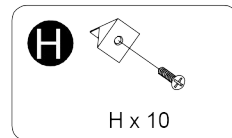
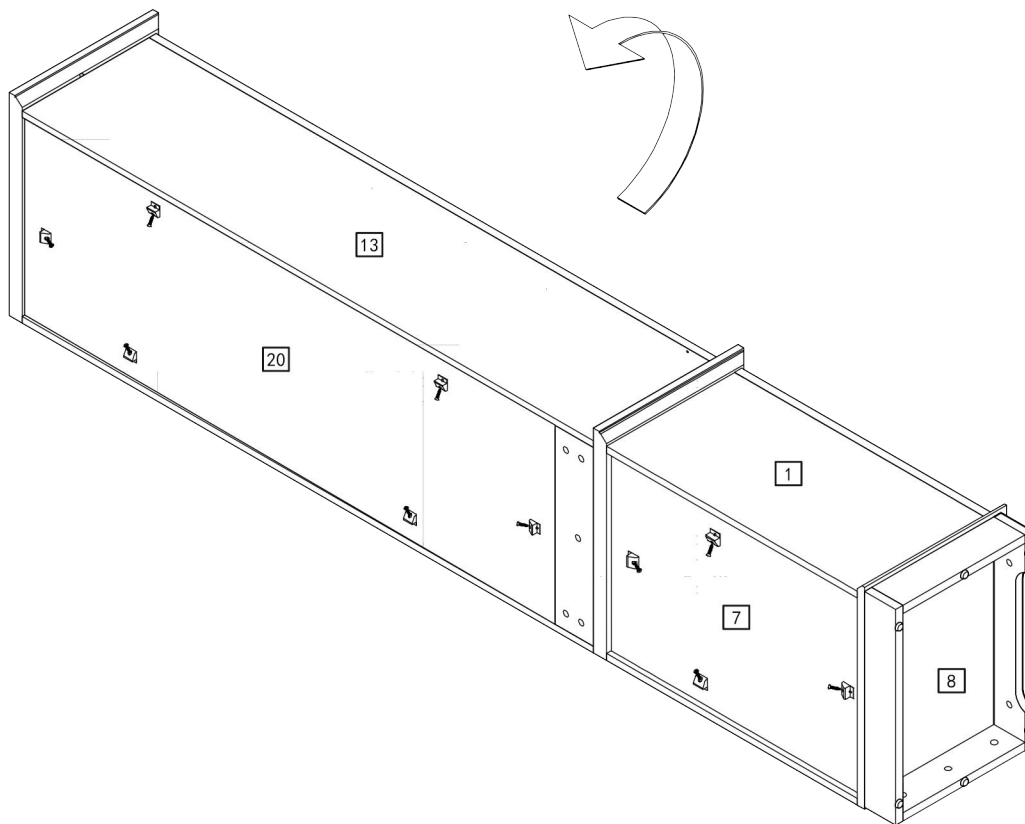
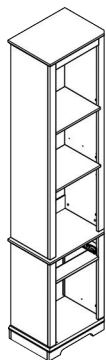


Use hardware B to connect panel 22 to the cabinet, then tighten.

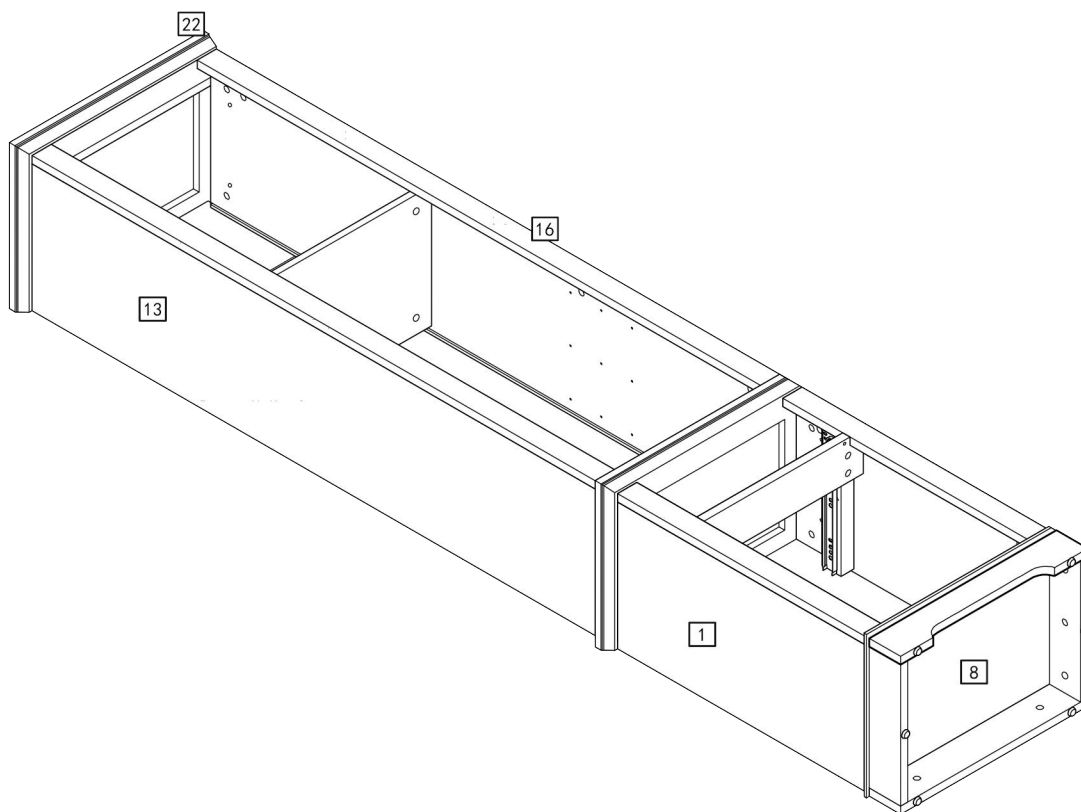
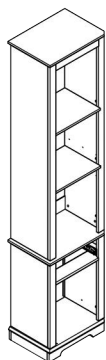
Assembly Instructions

Step 27

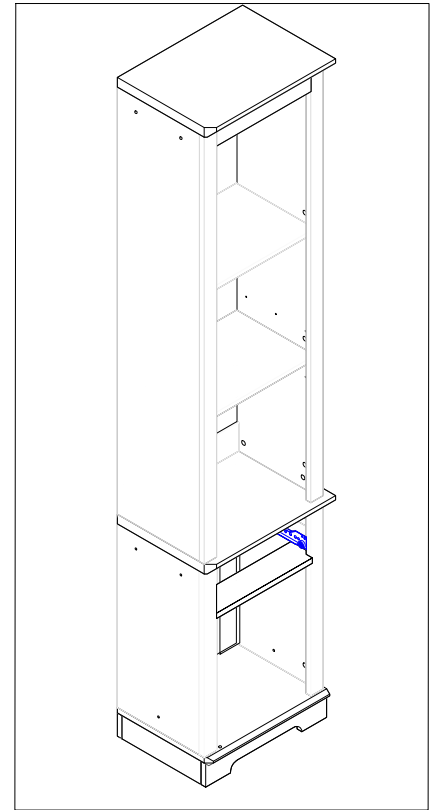
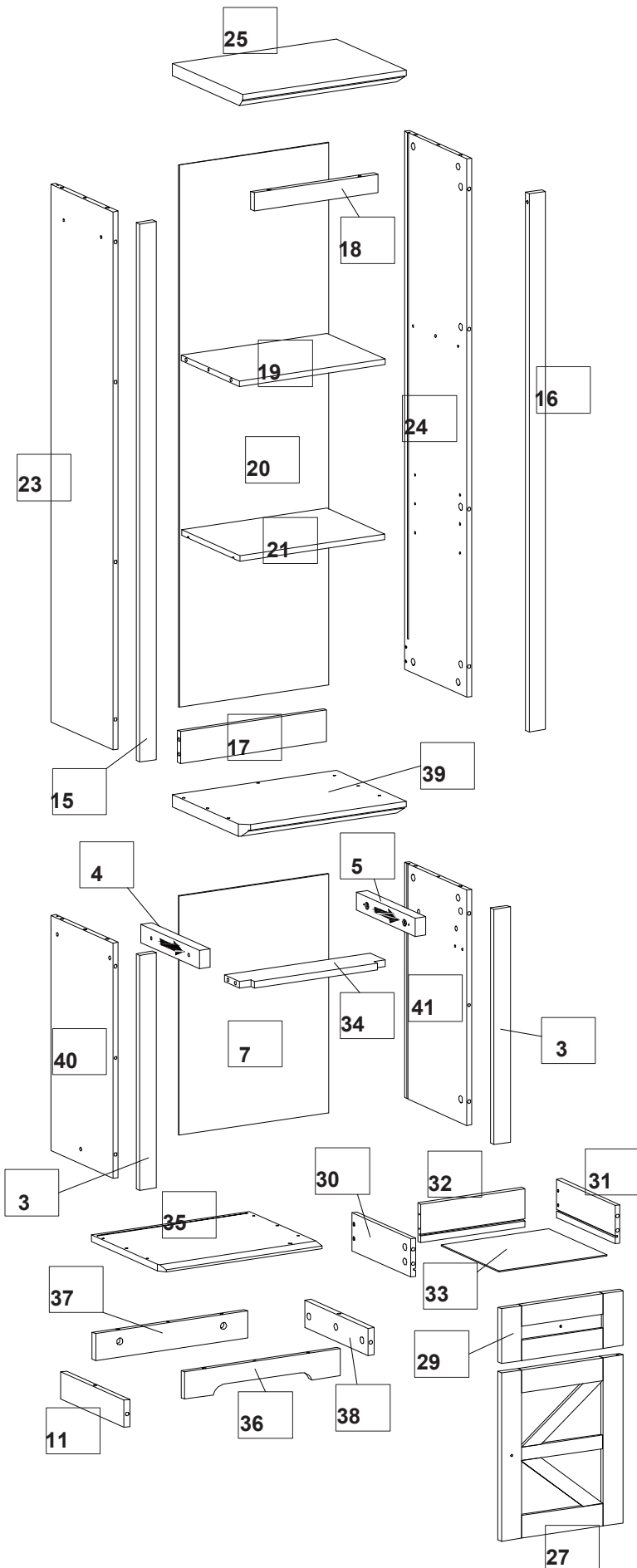
Install component H as shown in the diagram.




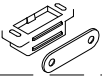






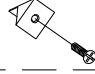
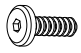



Step 28



Right cabinet

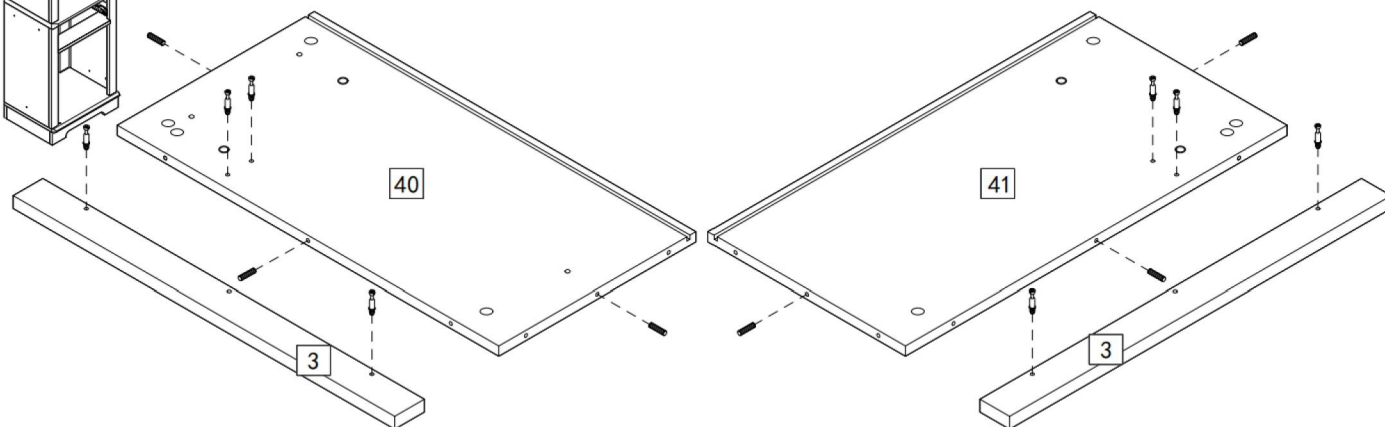
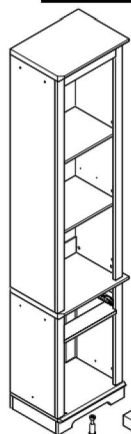


HARDWARE ACCESSORY LIST

A		Ø1/4"1-37/64" Φ6*40mm 49PCS	N		1PCS
B		Ø19/32"25/64" Φ15*10mm 49PCS	O		2PCS
C		Ø1/4"1-3/16" Φ6*30mm 12PCS	R		Ø1/8"1-19/32" M3*16mm 2PCS
F		Ø11/8"15/32" M3*12mm 6PCS	S		6PCS
H		10PCS	Z		Ø15/64"19/32" M6*15mm 4PCS
I		Ø13/64"1-37/64" M5*40mm 4PCS	AA		2PCS
J		Ø15/64"3/16" M6*30mm 4PCS			

Assembly Instructions

Step 29

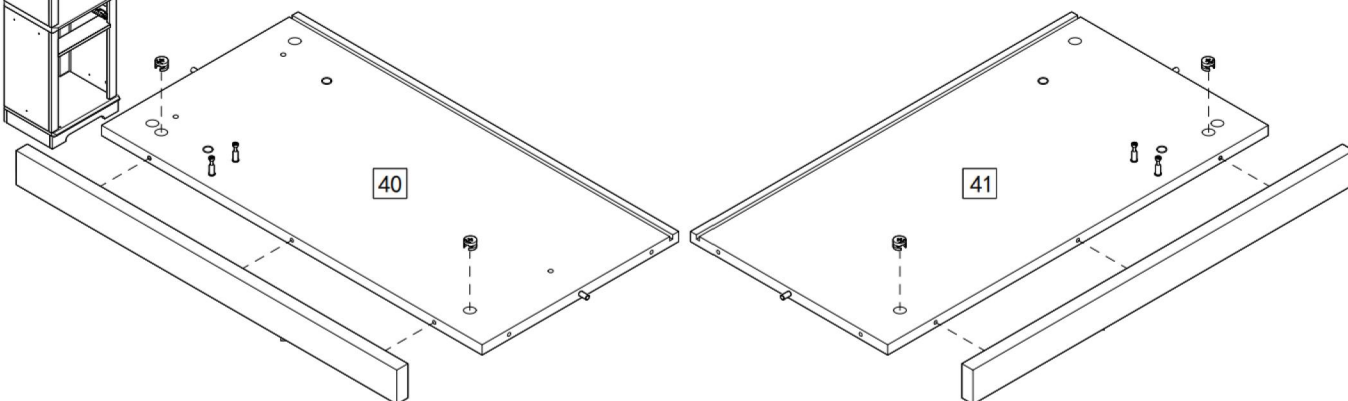
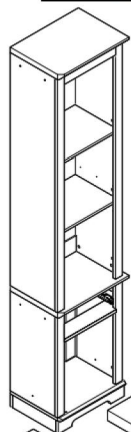


Attach hardware A to panels 1, 2, and 3.

A
6*40mm
Ø1/4"-37/64"
Ax8

C
Ø6*30mm
Ø1/4"-3/16"
Cx6

Step 30



- Use hardware B to connect panels 1 and 3, then tighten.
- Use hardware B to connect panels 2 and 3, then tighten.

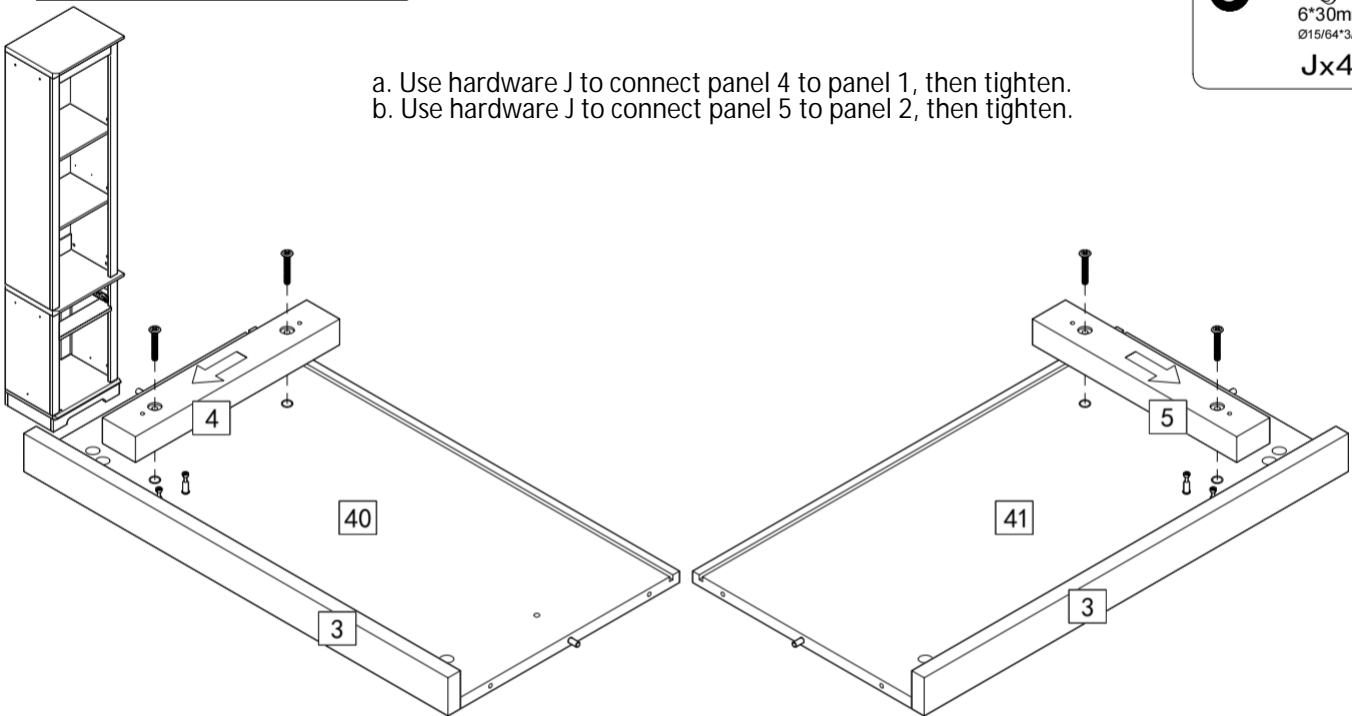
B
Ø15*10mm
Ø19/32*25/64"
Bx4

Assembly Instructions

Step 31



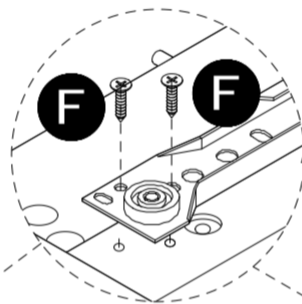
- Use hardware J to connect panel 4 to panel 1, then tighten.
- Use hardware J to connect panel 5 to panel 2, then tighten.



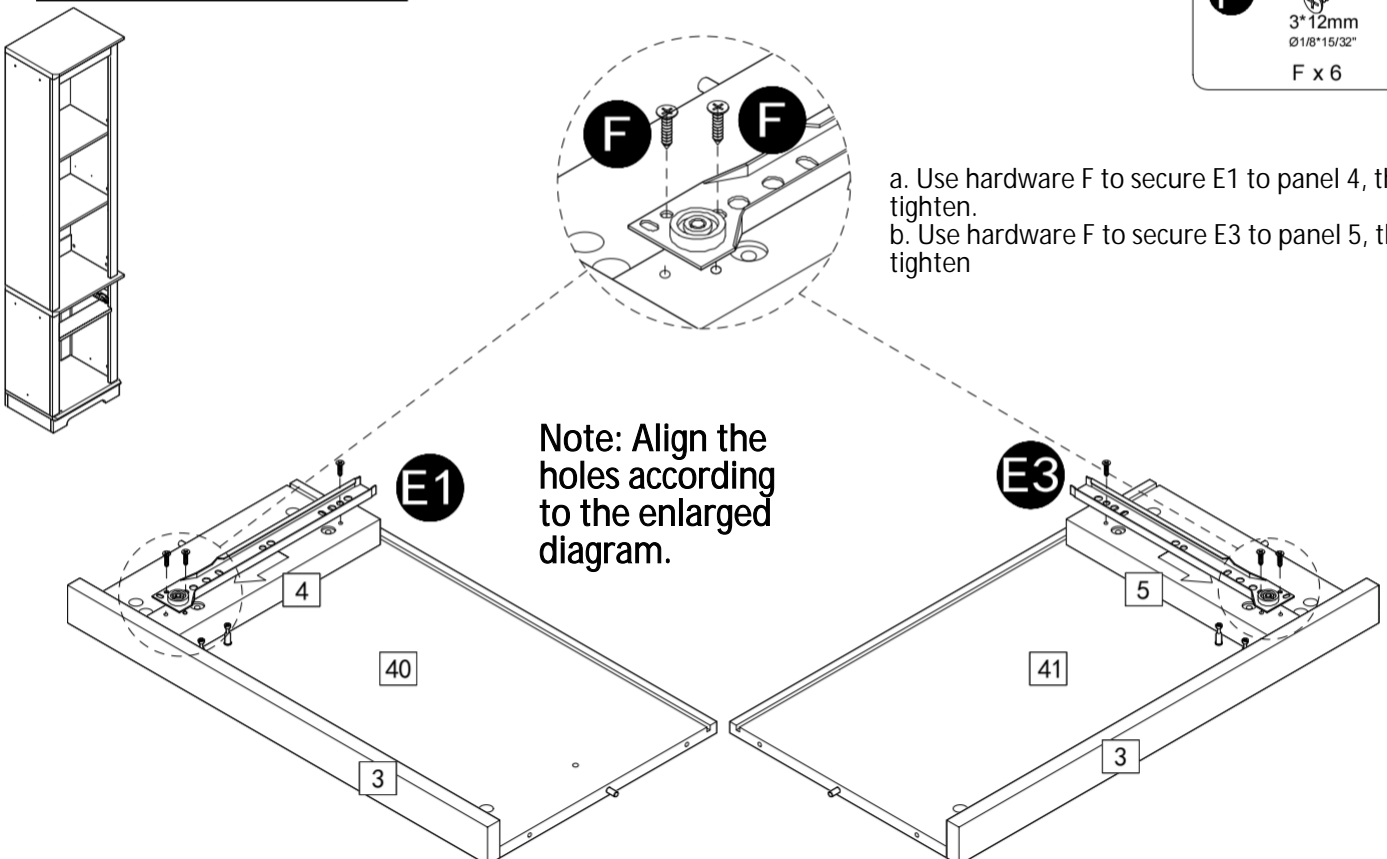
Step 32



- Use hardware F to secure E1 to panel 4, then tighten.
- Use hardware F to secure E3 to panel 5, then tighten.



Note: Align the holes according to the enlarged diagram.



Assembly Instructions

Step 33

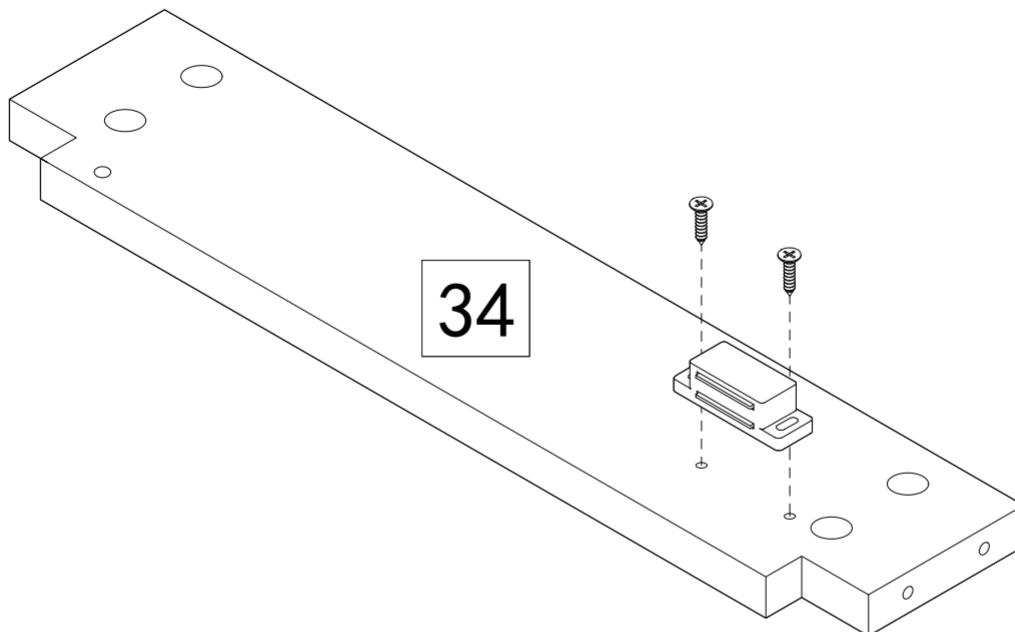
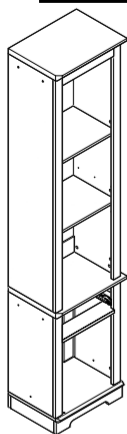
Use hardware R to secure N to panel 6, then tighten.



N x 1



3*16mm
Ø1/8"1-19/32"
R x 2



Step 34

- Use hardware Z to secure AA to panel 1, then tighten.
- Use hardware B to connect panel 6 to panel 1, then tighten.



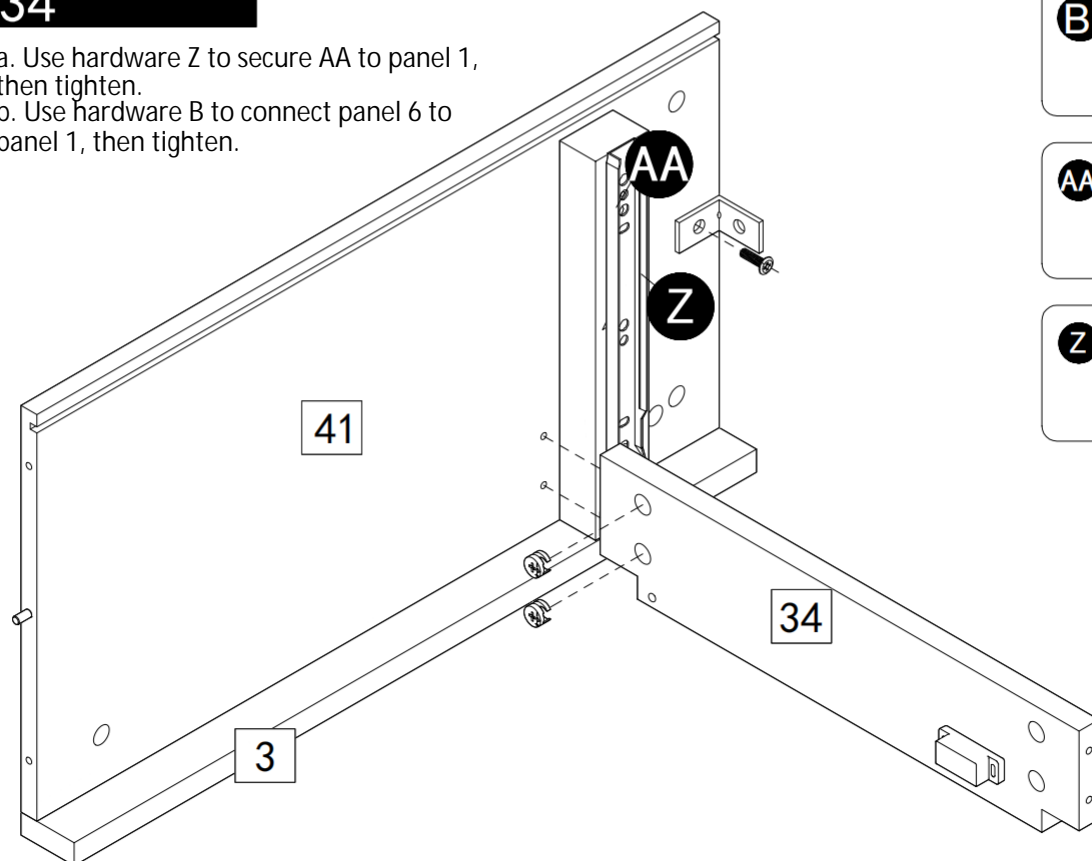
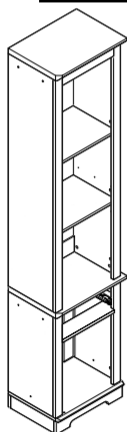
B x 2



AA x 1

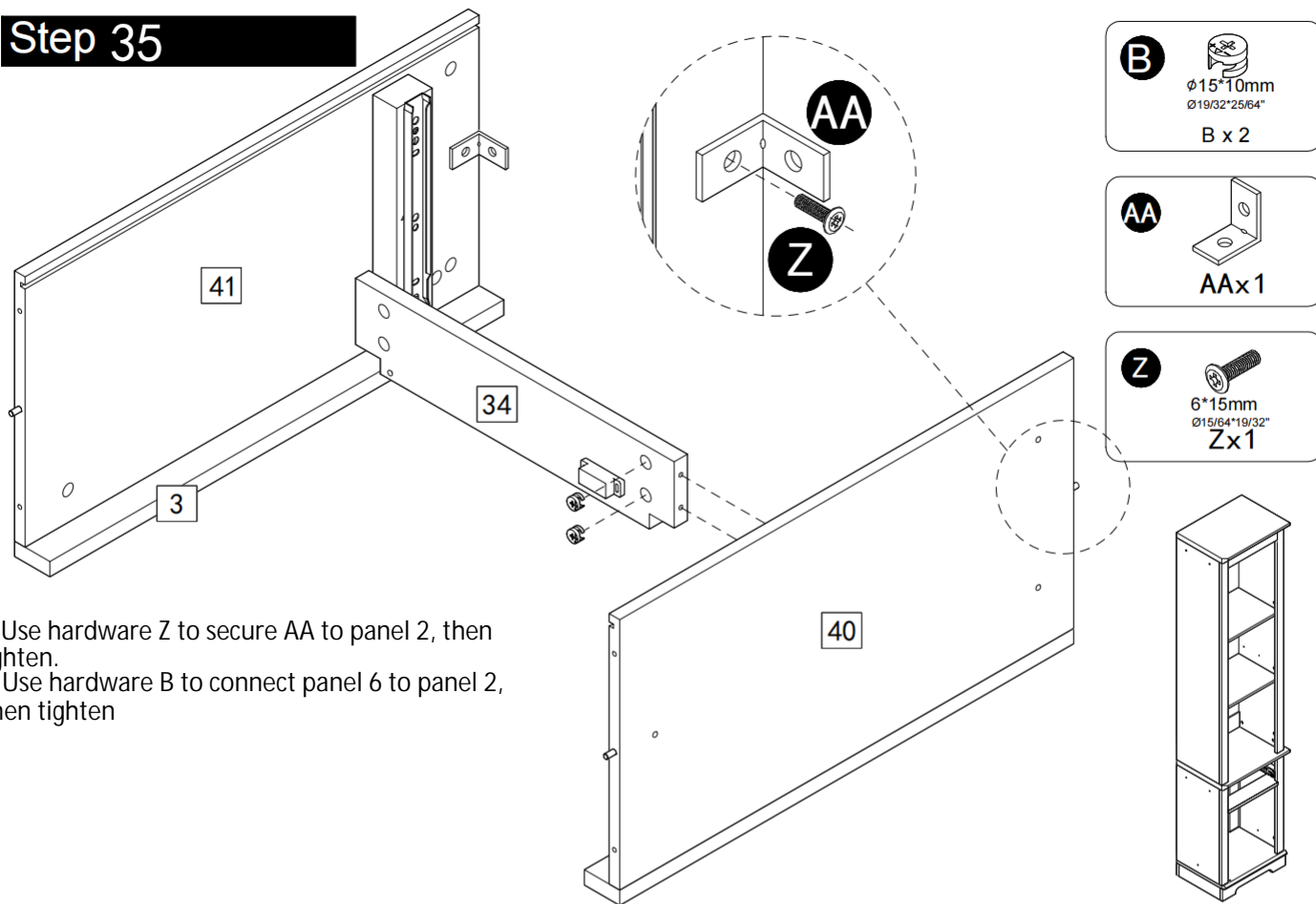


6*15mm
Ø15/64"19/32"
Z x 1

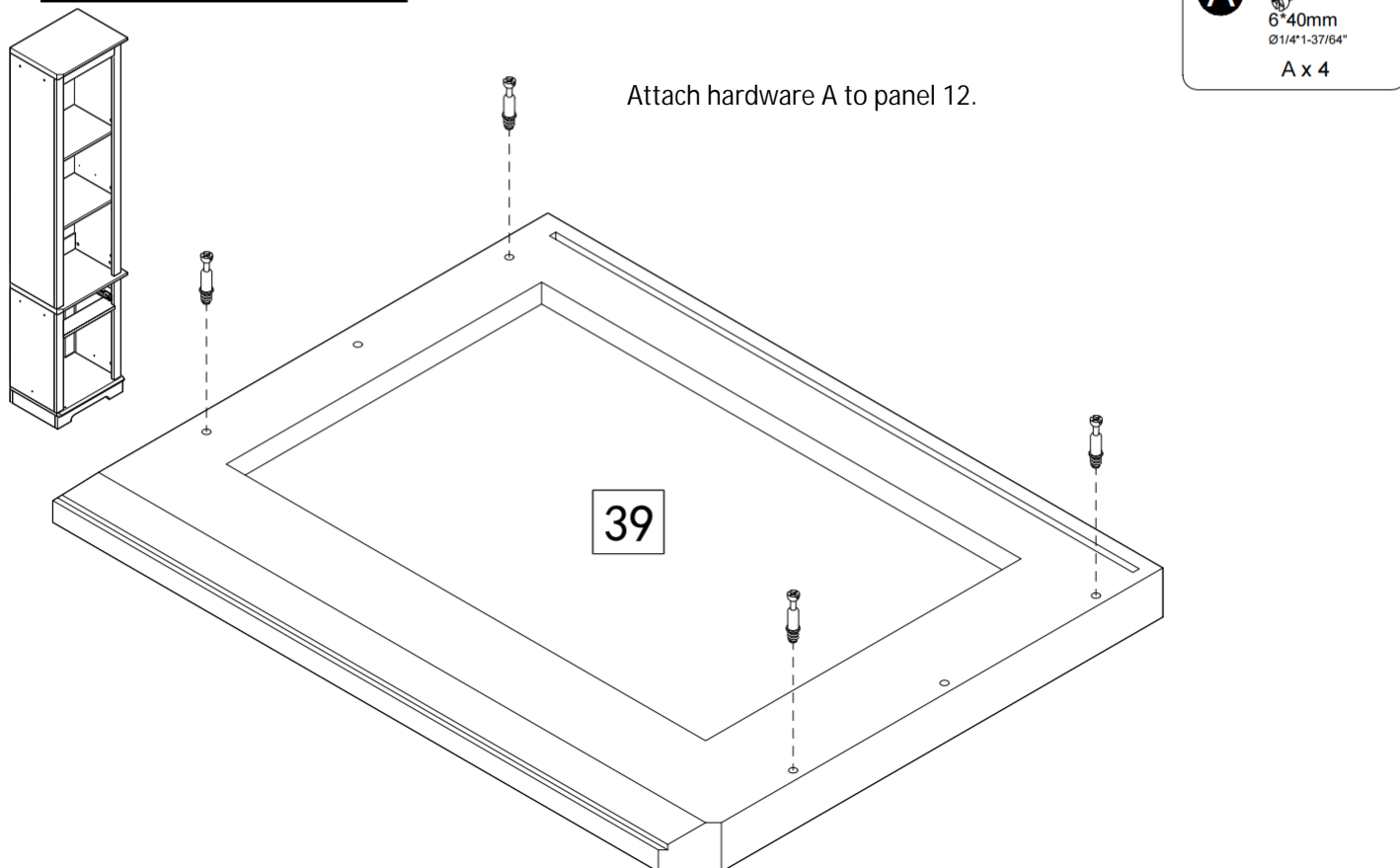


Assembly Instructions

Step 35



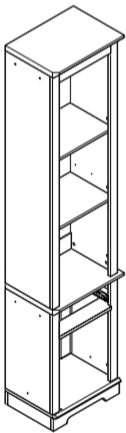
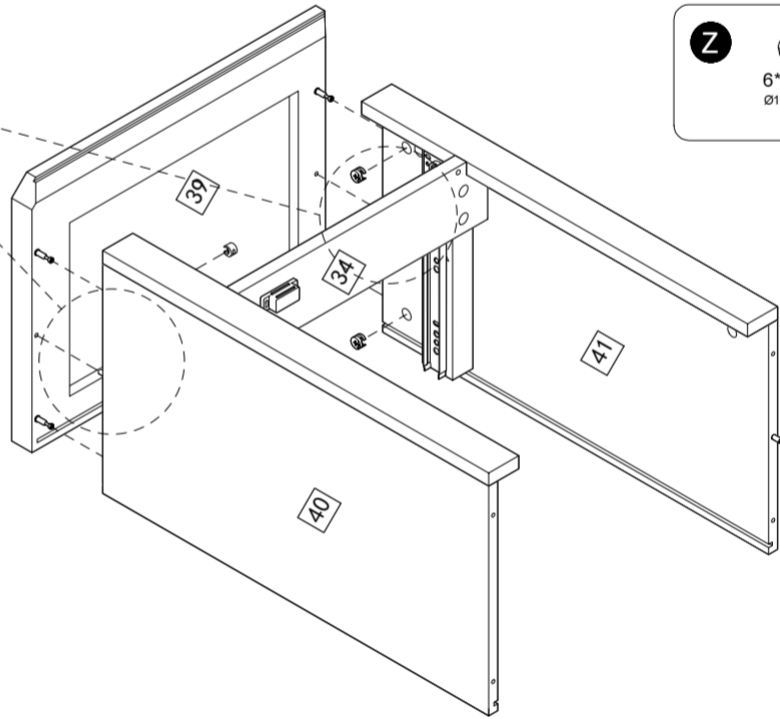
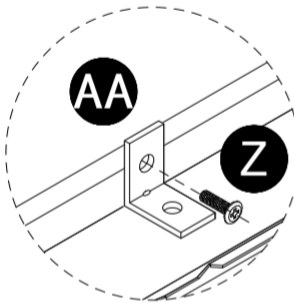
Step 36



Assembly Instructions

Step 37

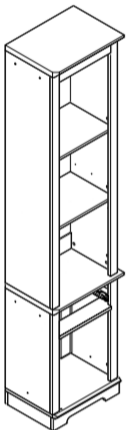
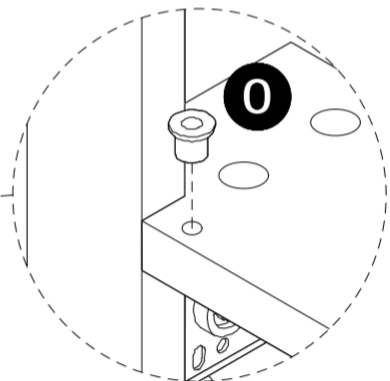
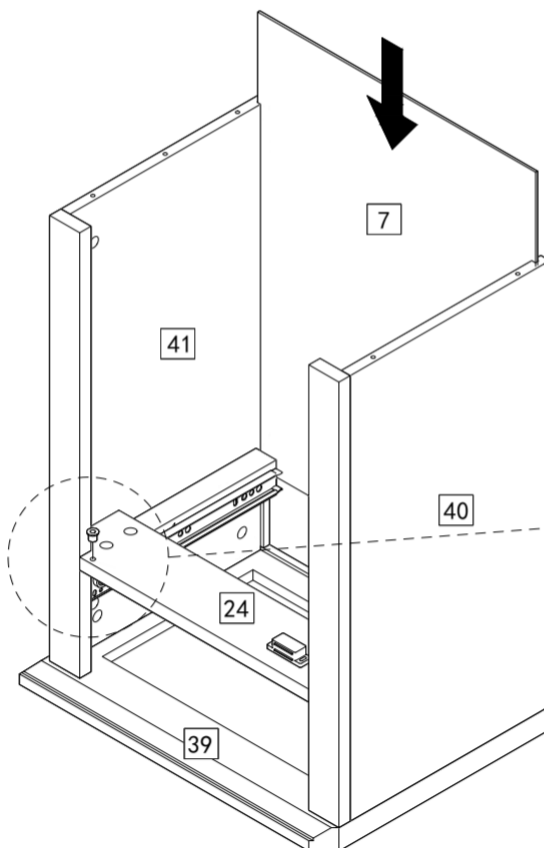
- Use hardware B to connect panel 12 with panels 1 and 2, then tighten.
- Use hardware Z to connect AA to panel 12, then tighten.



Step 38

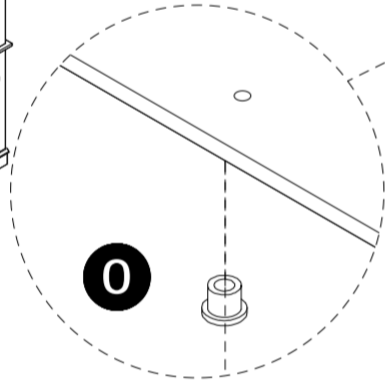
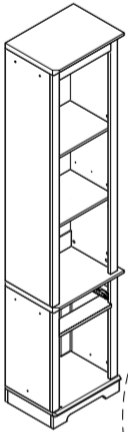


- Insert panel 7 into the slots of panels 1 and 2 as shown in the diagram.
- Insert O into panel 6 as shown in the diagram.

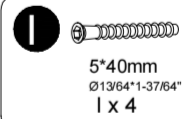
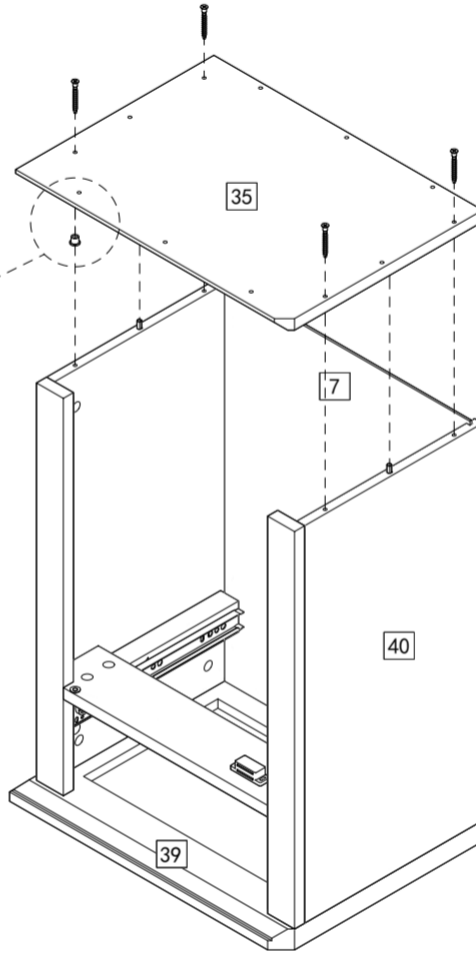


Assembly Instructions

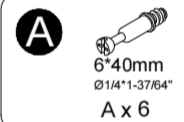
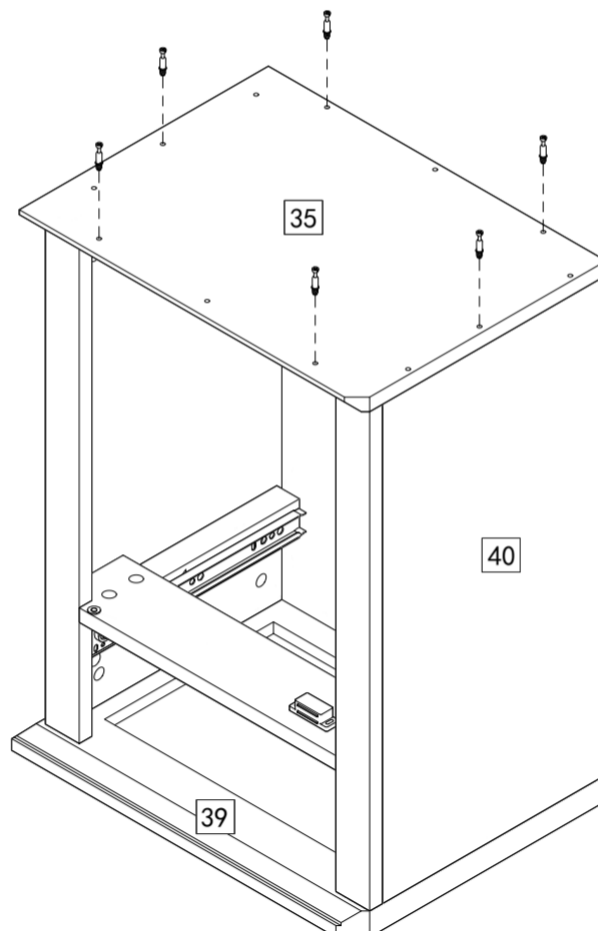
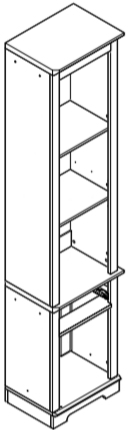
Step 39



- Insert O into panel 8.
- Use hardware I to connect panel 8 to panels 1 and 2, then tighten.



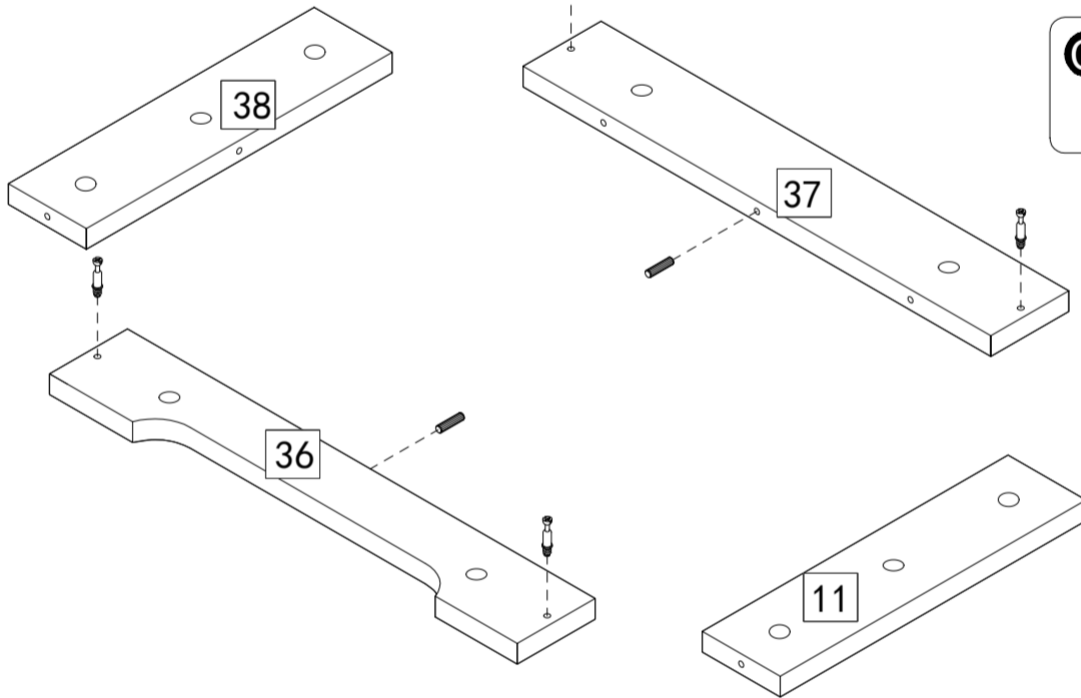
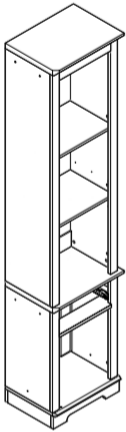
Step 40



Attach hardware A to panel 8.

Assembly Instructions

Step 41



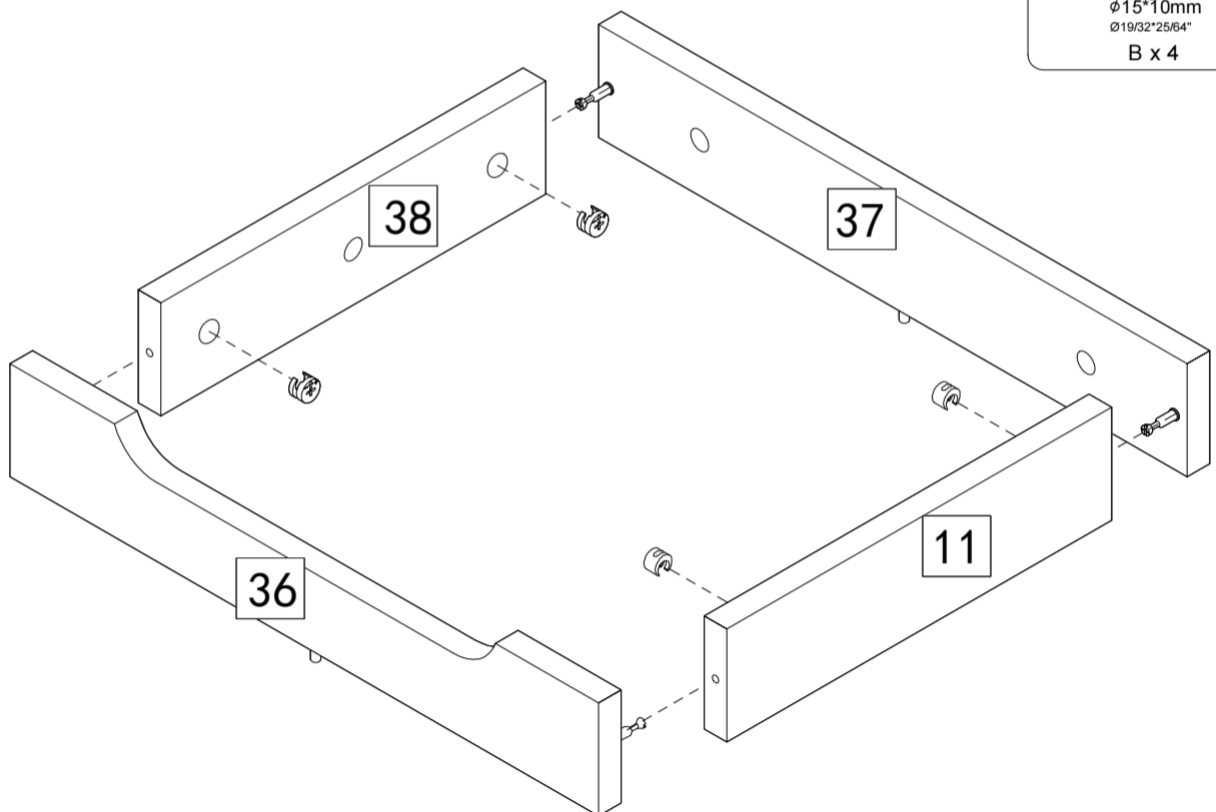
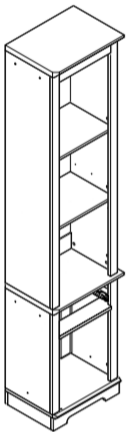
A
6*40mm
Ø1/4*1-37/64"
A x 4

C
φ6*30mm
Ø1/4*1-3/16"
C x 2

Attach hardware A and C to panels 9 and 10.

Step 42

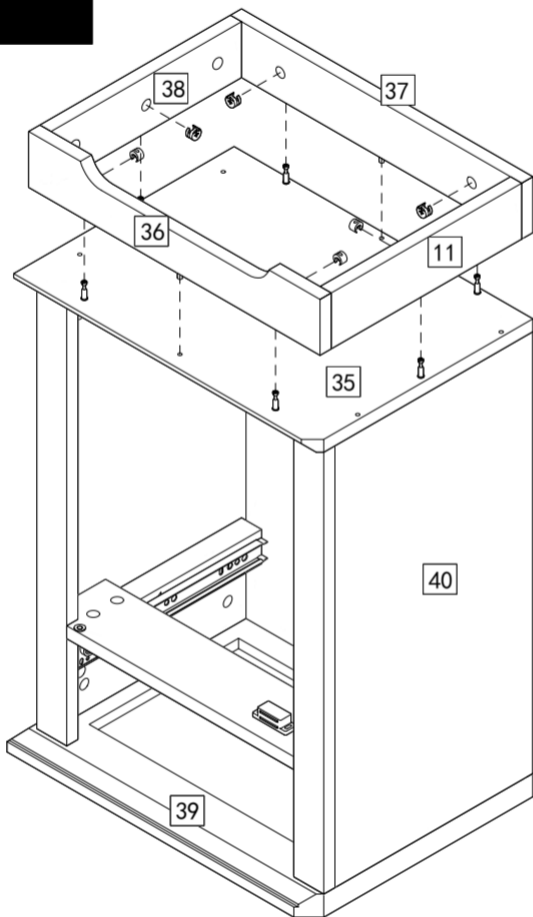
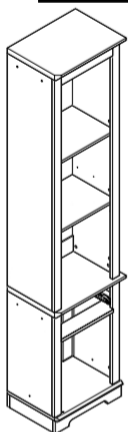
Use hardware B to connect panels 9, 10, 11, and 38, then tighten.



B
φ15*10mm
Ø19/32*25/64"
B x 4

Assembly Instructions

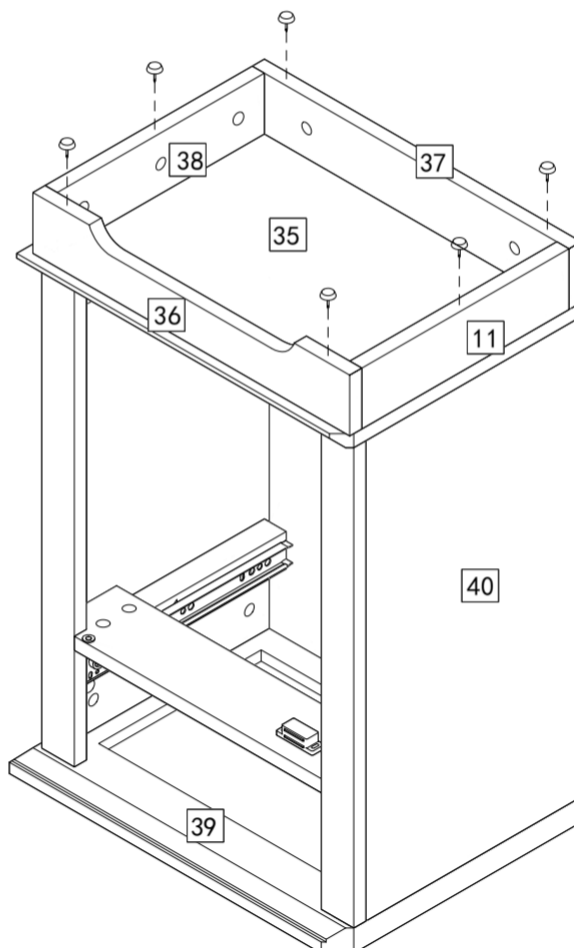
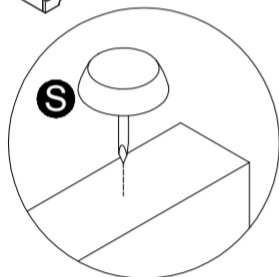
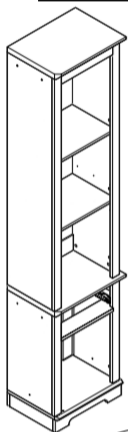
Step 43



Use hardware B to connect the 9, 10, 11, and 38 assembly to panel 8, then tighten.

Note: Panel 9 should be installed on the door side.

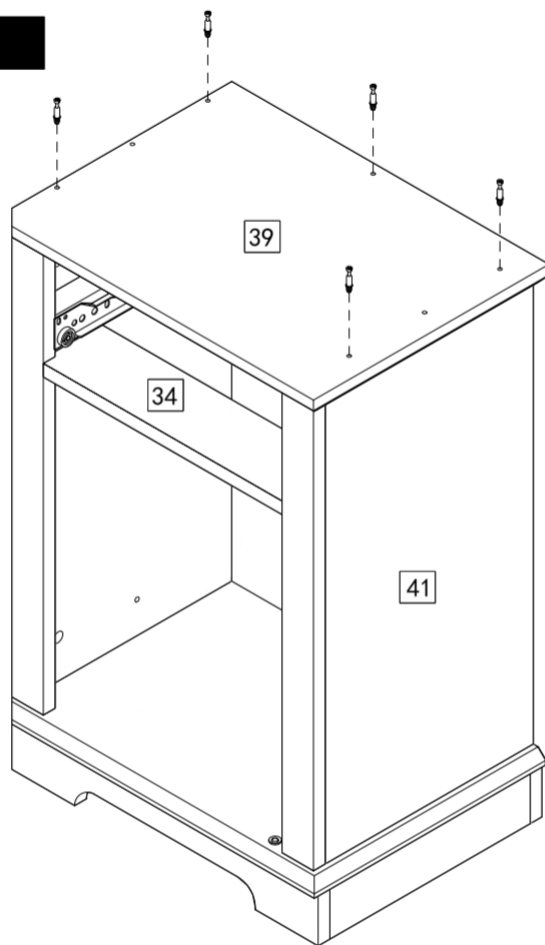
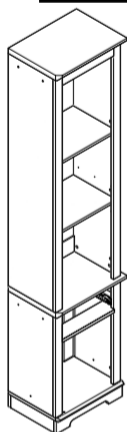
Step 44



Install hardware S at the designated position.

Assembly Instructions

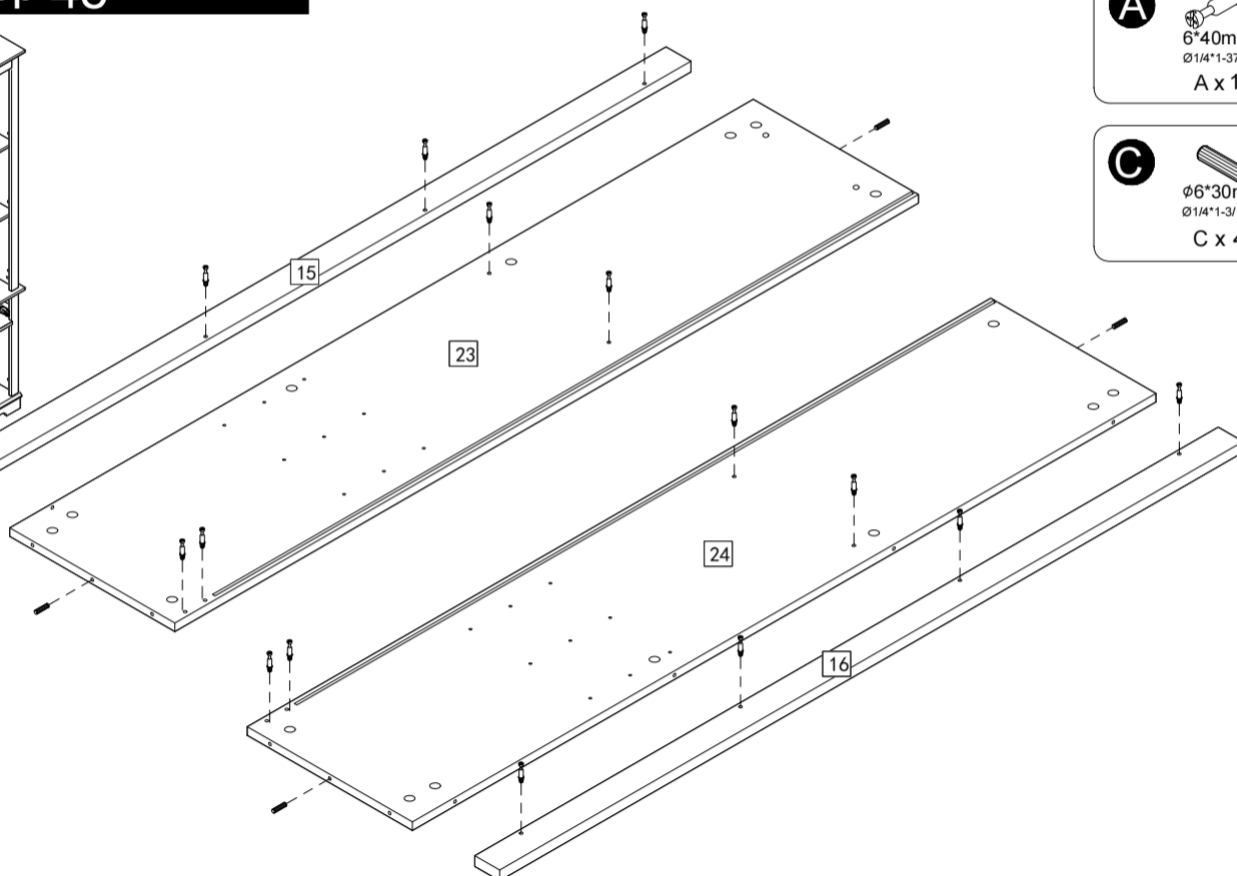
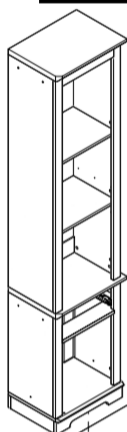
Step 45



Attach hardware A to panel 12.

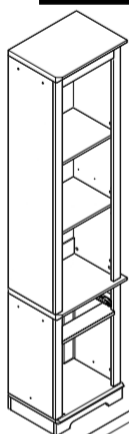
Step 46

Attach hardware A and C to panels 13, 14, 15, and 16

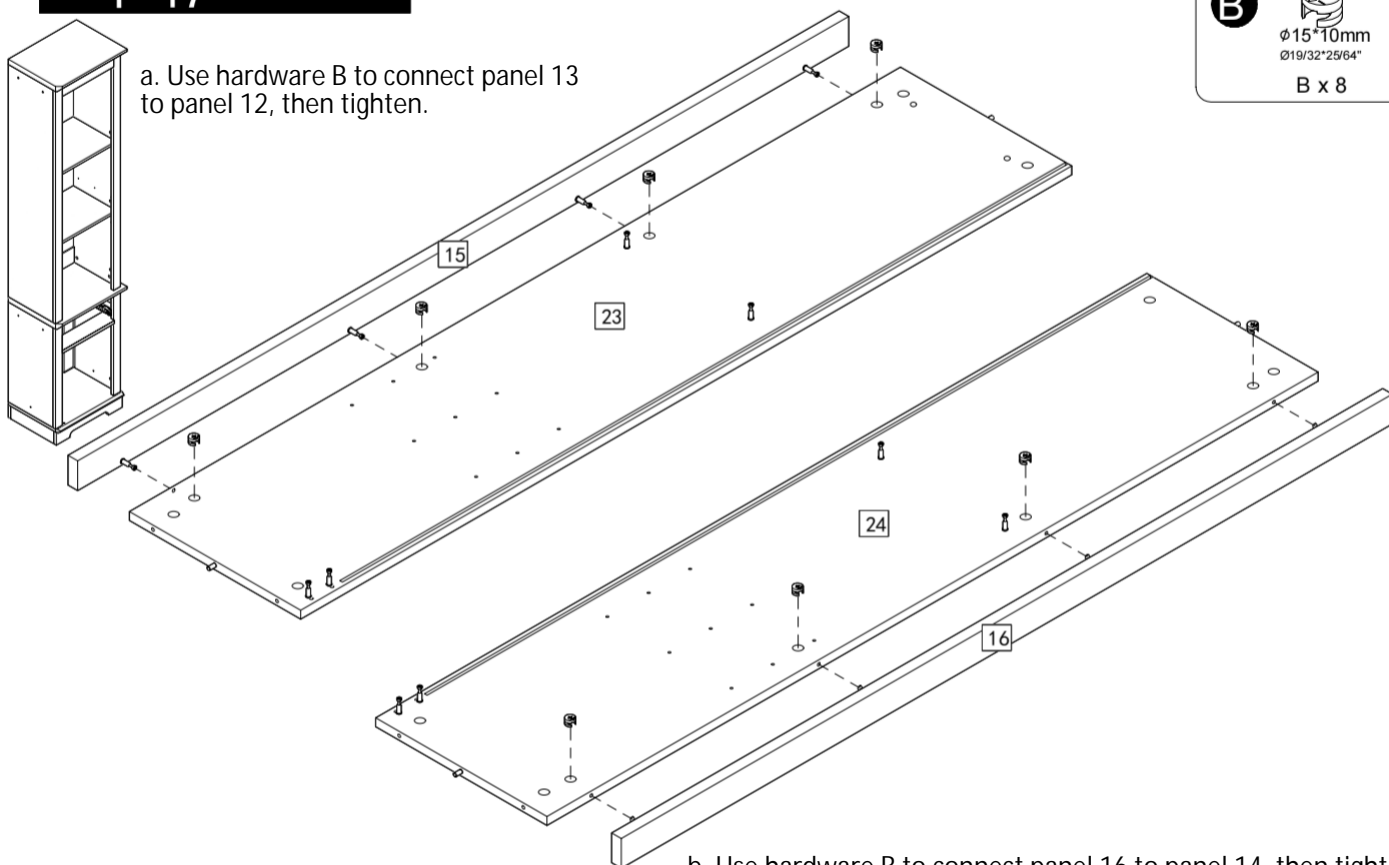


Assembly Instructions

Step 47

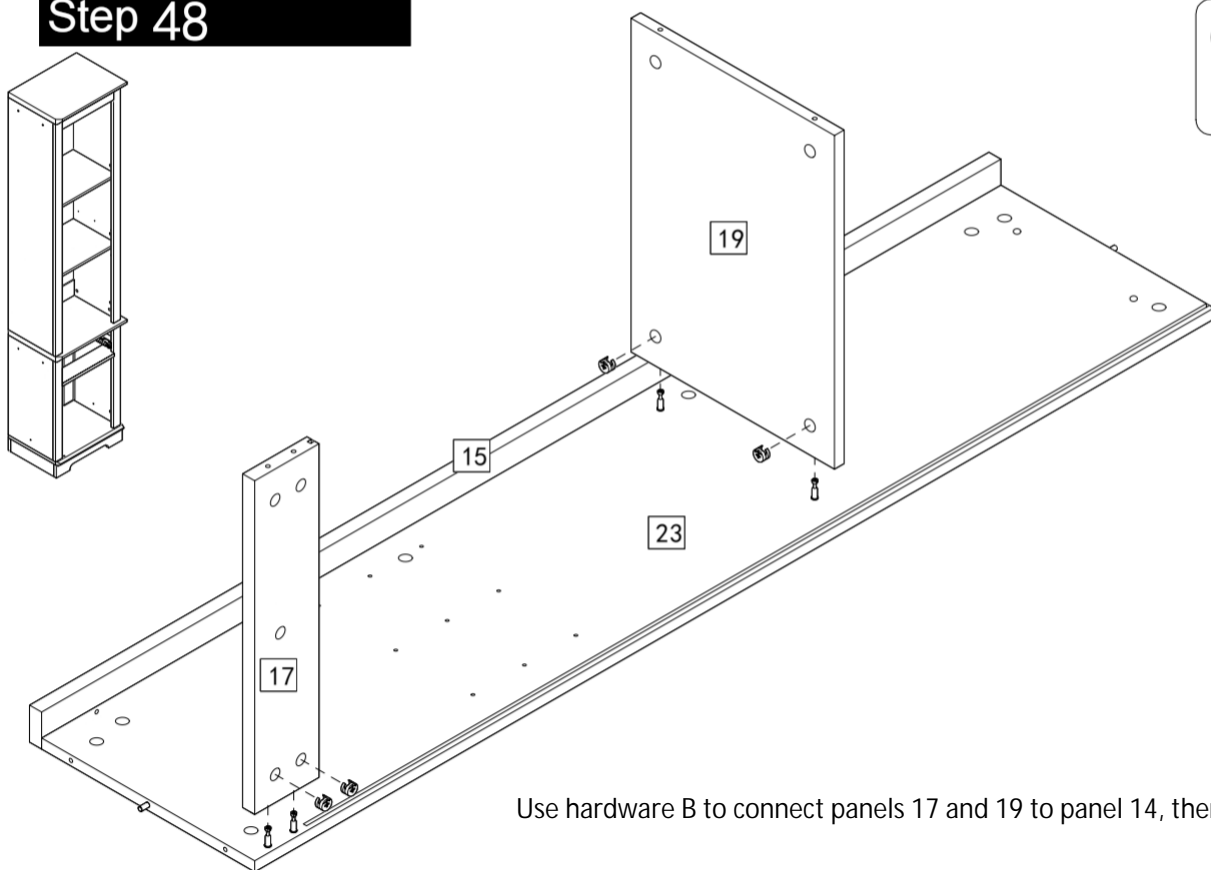
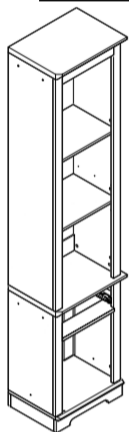


a. Use hardware B to connect panel 13 to panel 12, then tighten.



b. Use hardware B to connect panel 16 to panel 14, then tighten

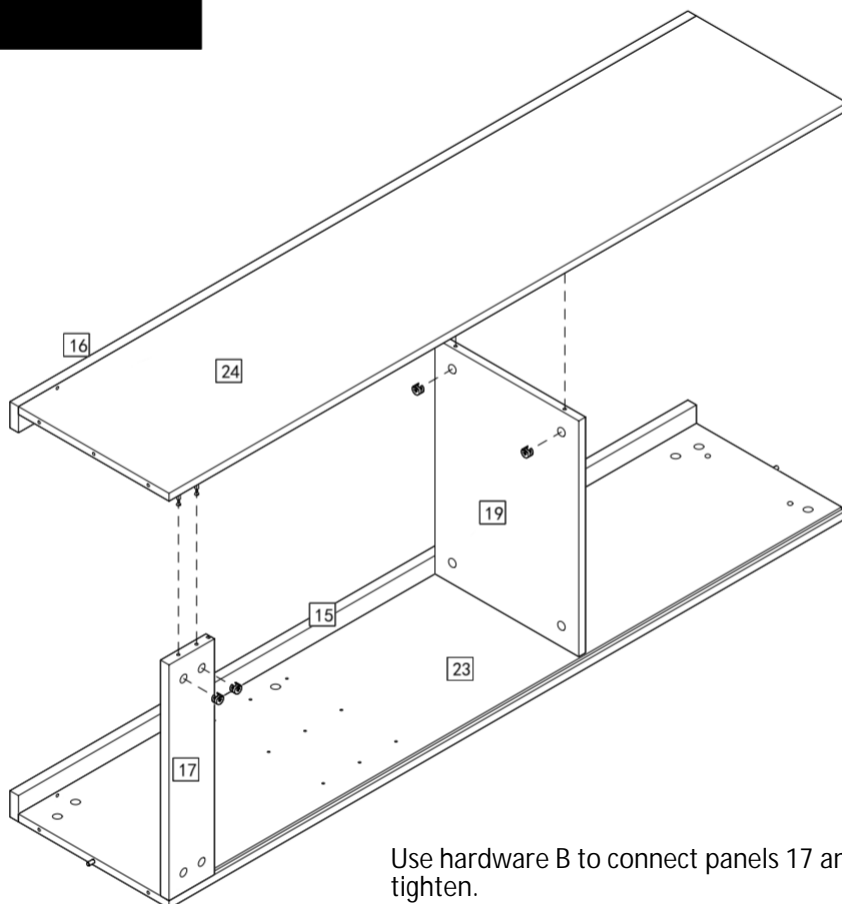
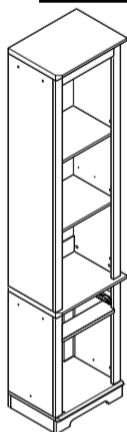
Step 48



Use hardware B to connect panels 17 and 19 to panel 14, then tighten.

Assembly Instructions

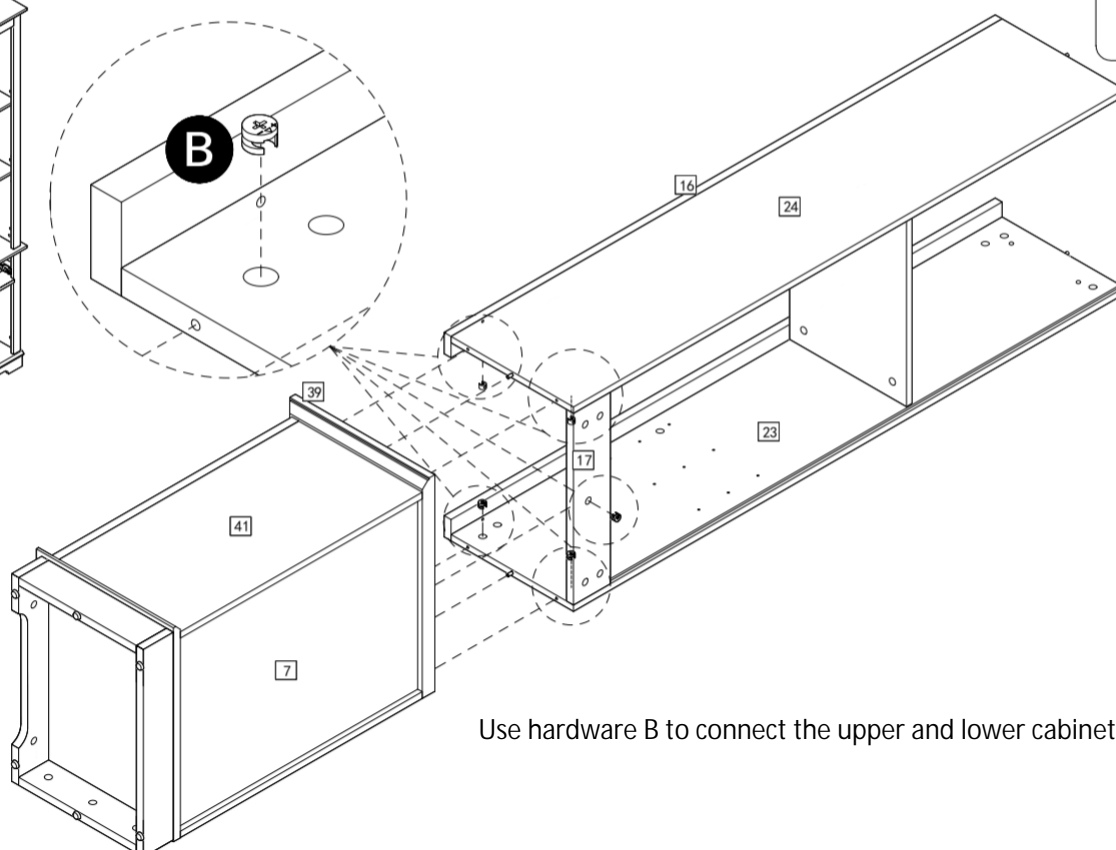
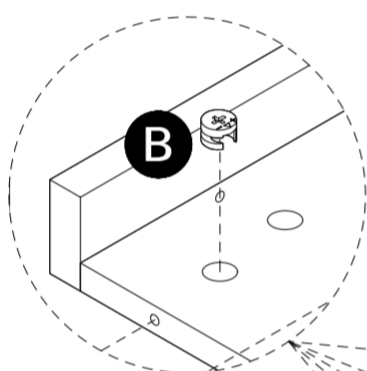
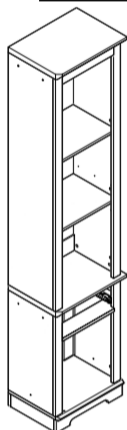
Step 49



B
Ø15*10mm
Ø19/32*25/64"
B x 4

Use hardware B to connect panels 17 and 19 to panel 13, then tighten.

Step 50

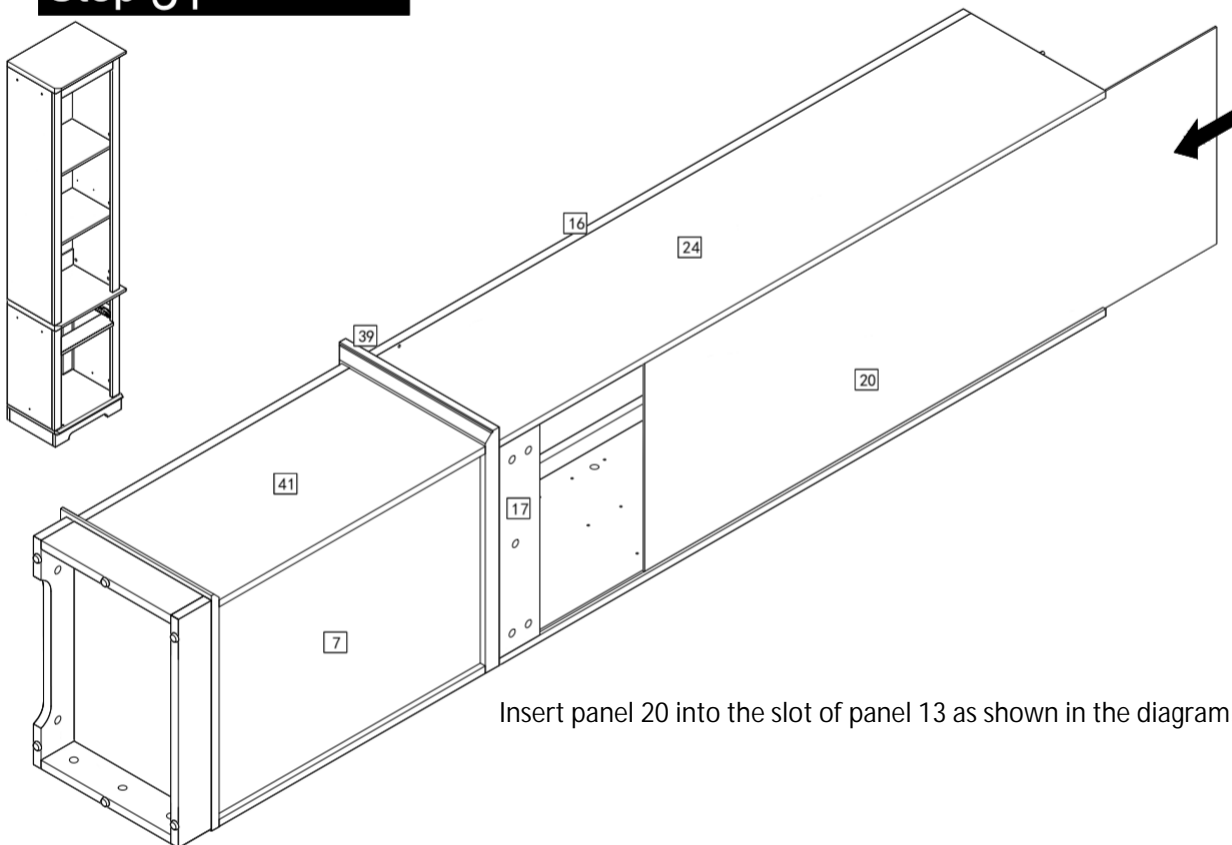


B
Ø15*10mm
Ø19/32*25/64"
B x 5

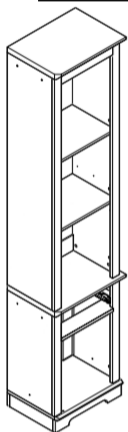
Use hardware B to connect the upper and lower cabinets, then tighten.

Assembly Instructions

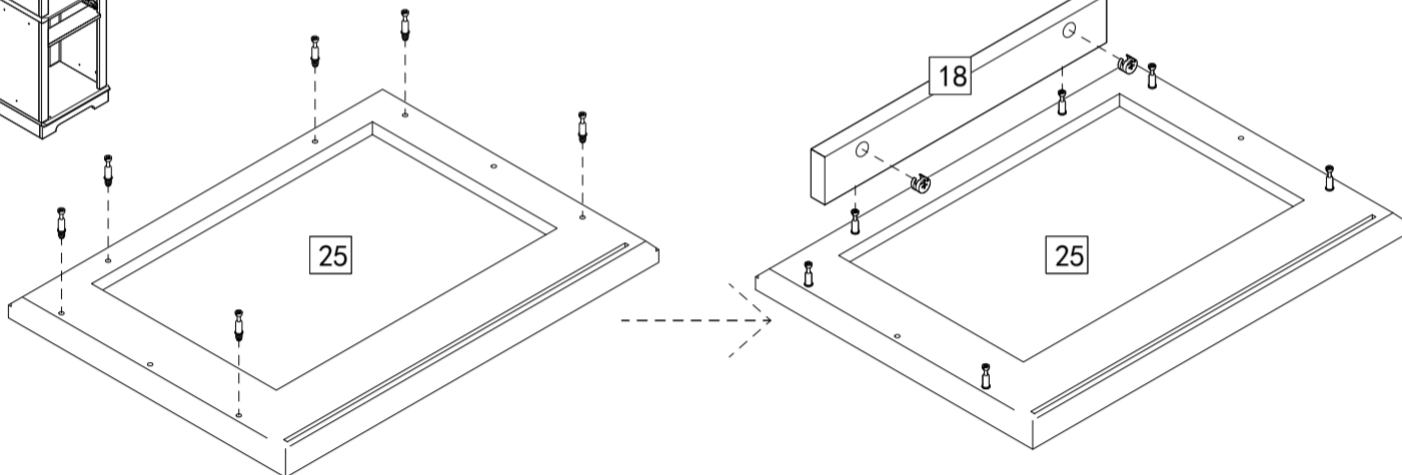
Step 51



Step 52



- Attach hardware A to panel 22.
- Use hardware B to connect panel 18 to panel 22, then tighten.



Assembly Instructions

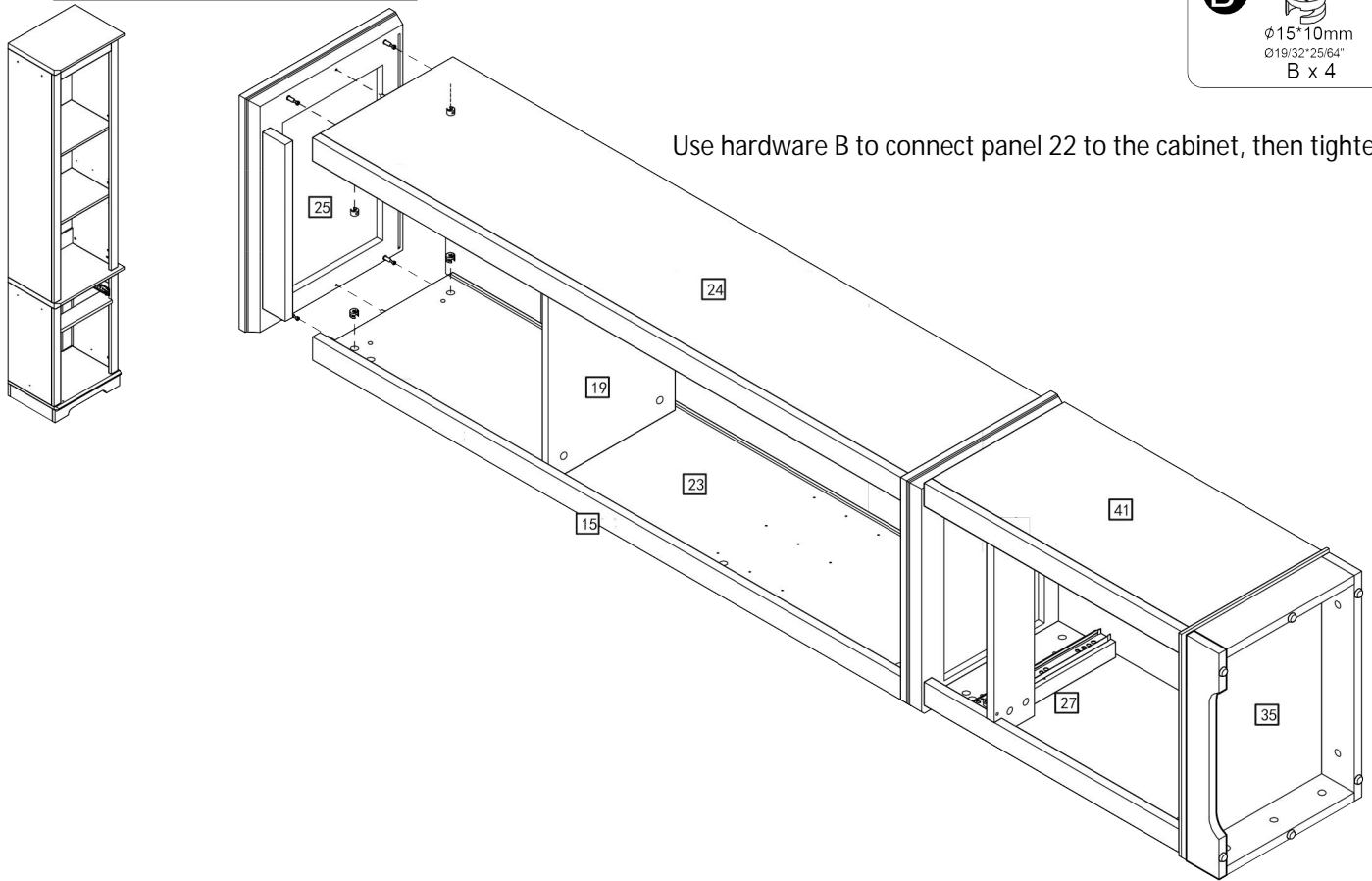
Step 53

B



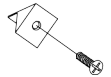
Ø15*10mm
Ø19/32*25/64"
B x 4

Use hardware B to connect panel 22 to the cabinet, then tighten.



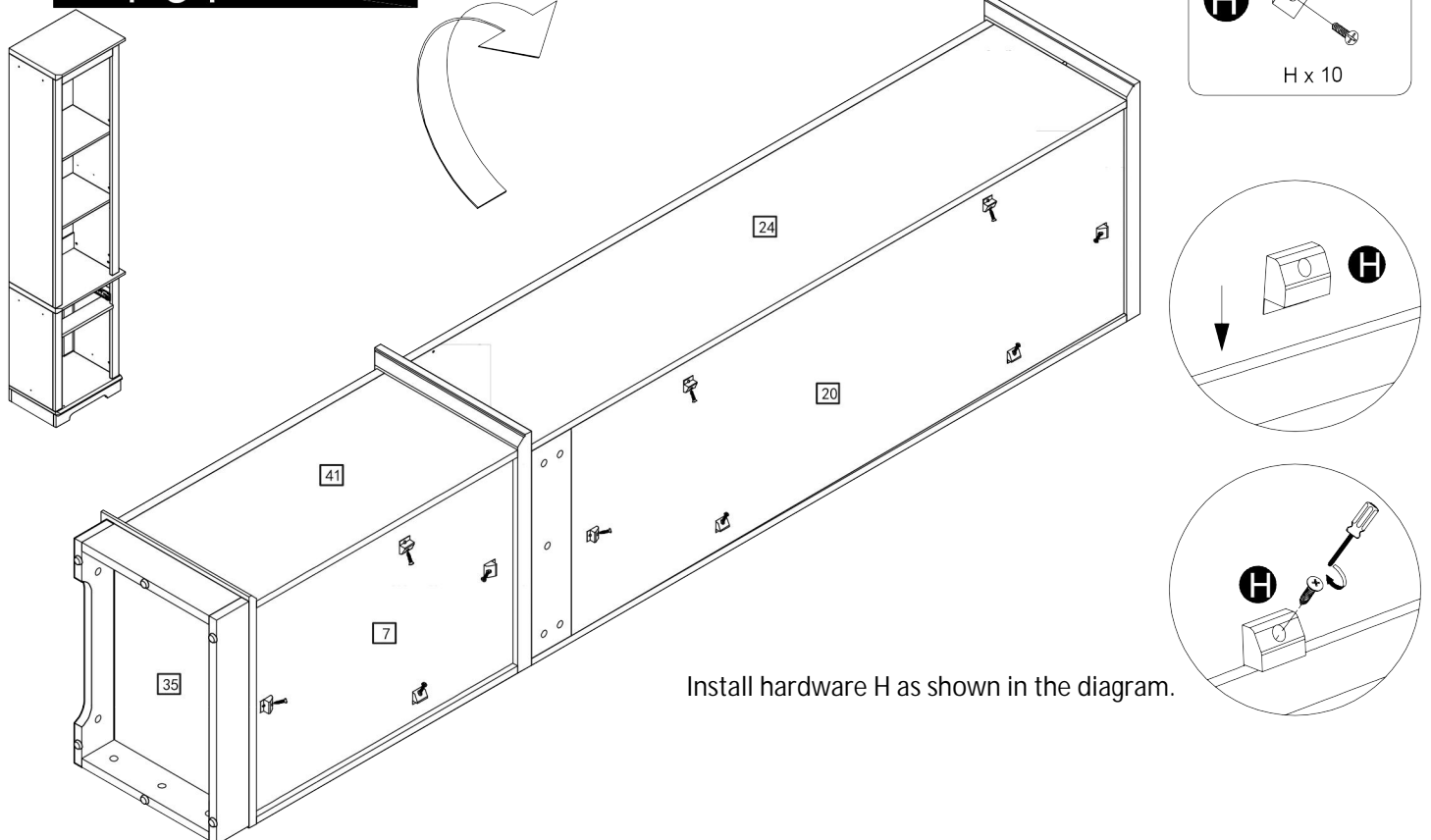
Step 54

H



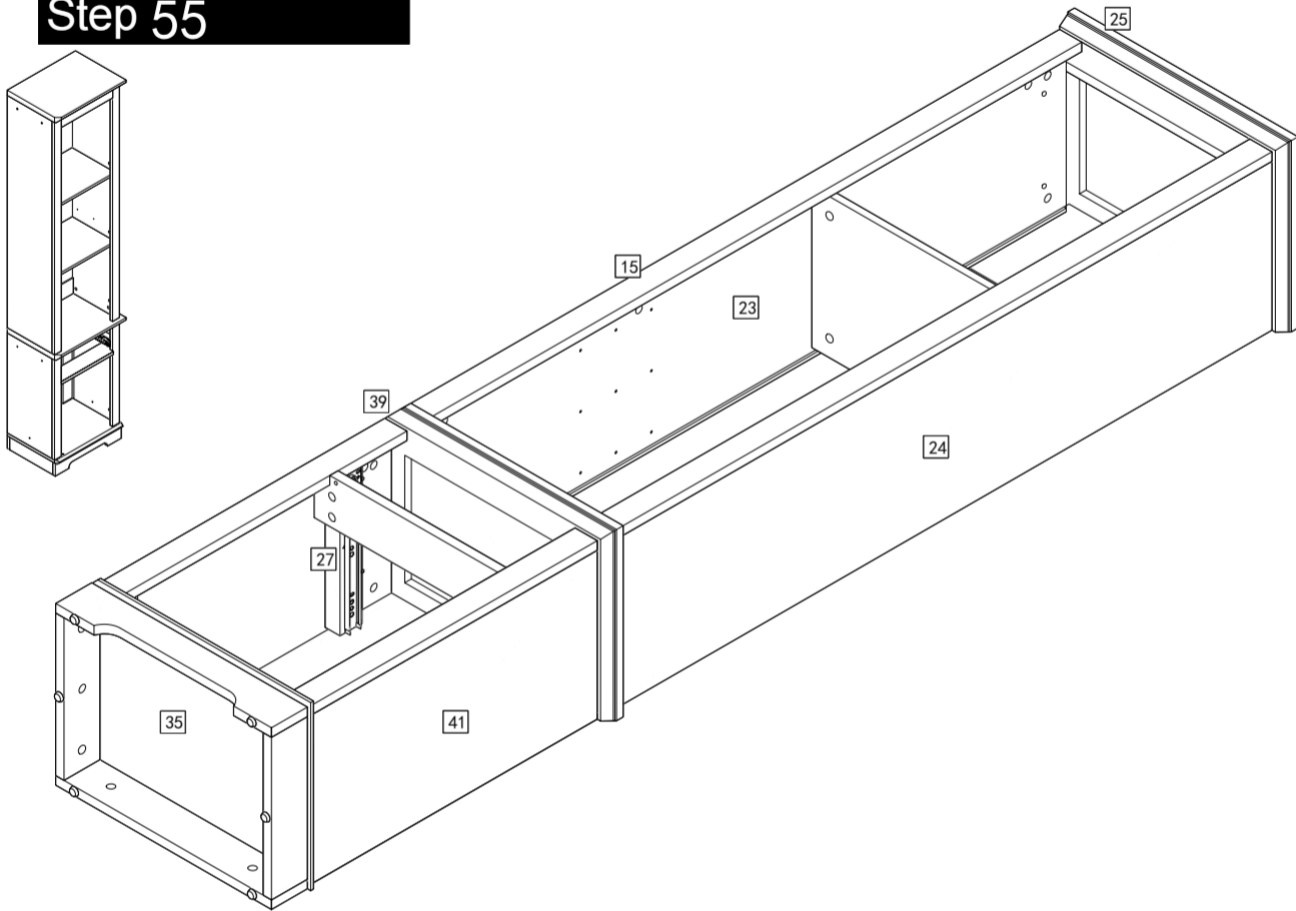
H x 10

Install hardware H as shown in the diagram.



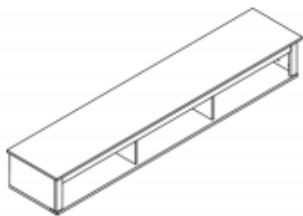
Assembly Instructions

Step 55

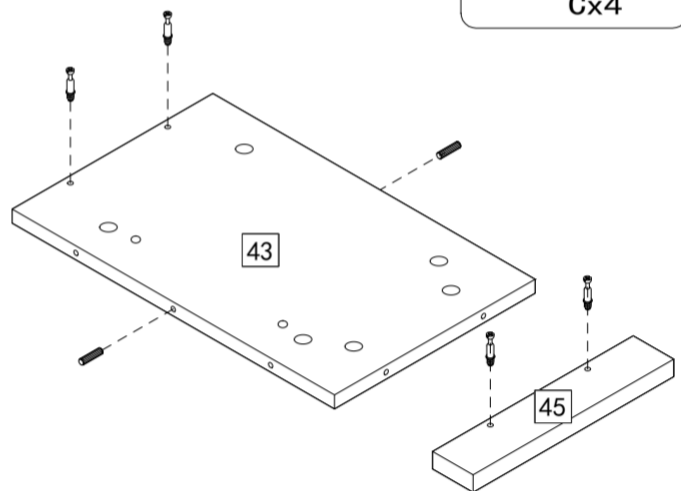
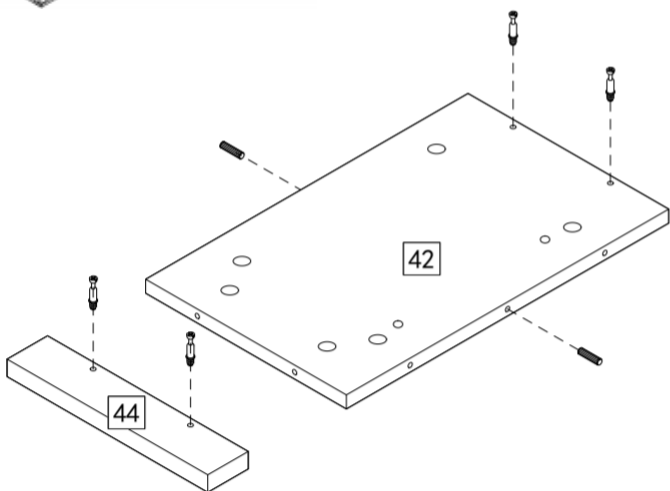


Step 56

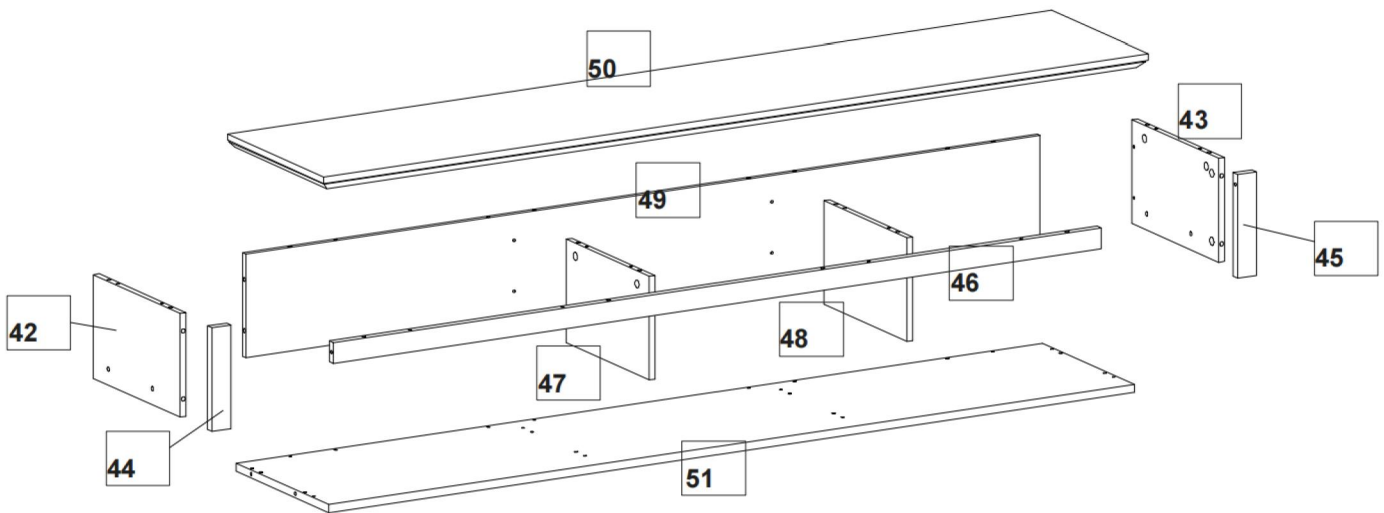
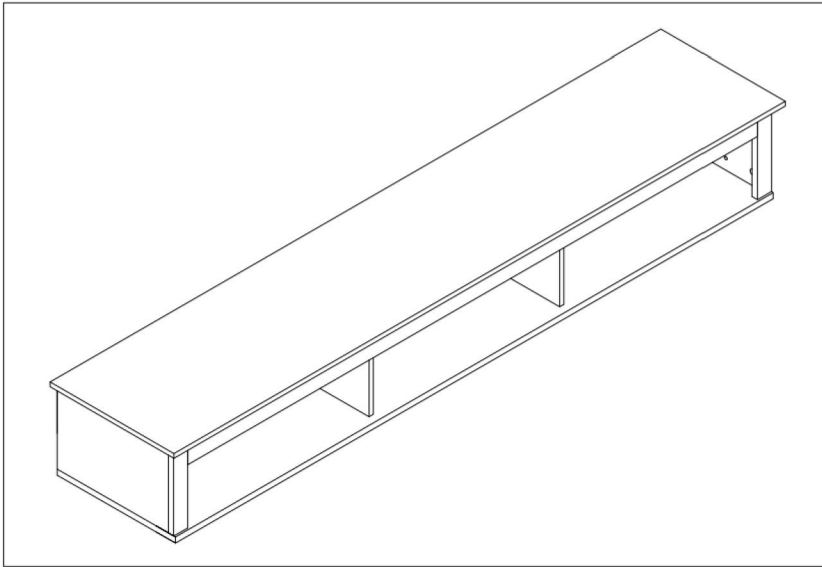
Upper Cabinet Assembly



Use hardware B to connect panels 9, 10, 11, and 38, then tighten.



Up cabinet



HARDWARE ACCESSORY LIST

A



Ø1/4"1-37/64"
Φ6*40mm
36PCS

B



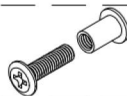
Ø19/32"25/64"
Φ15*10mm
36PCS

C



Ø1/4"1-3/16"
Φ6*30mm
8PCS

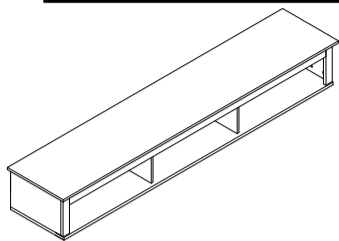
M



Ø1/4"1-3/16"
Φ6*30mm
4PCS

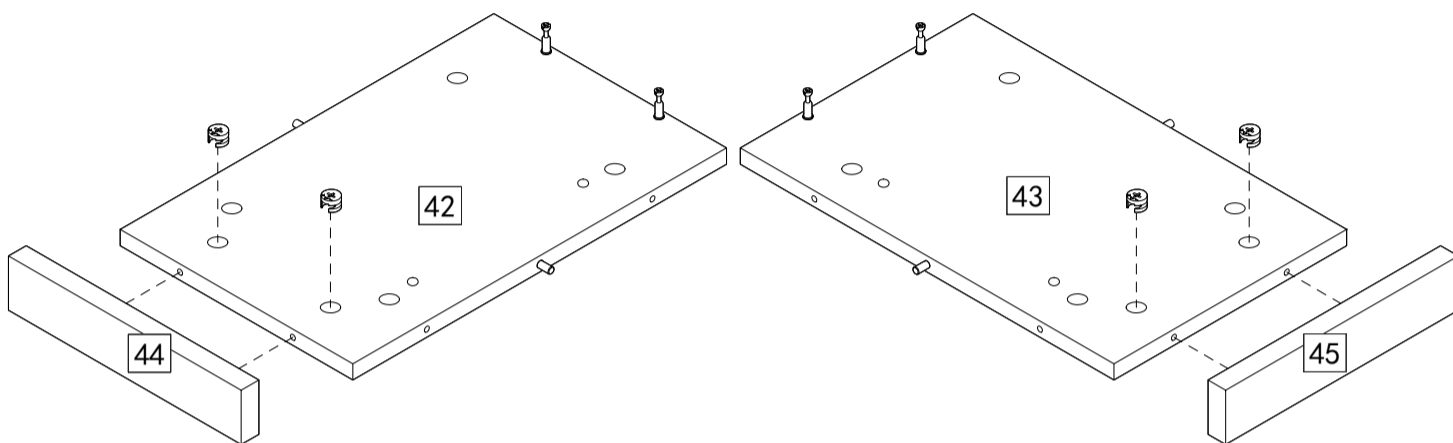
Assembly Instructions

Step 57

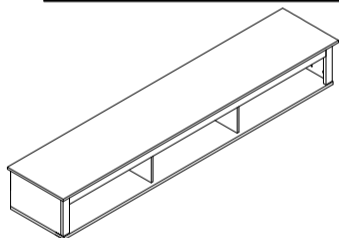


- a. Use hardware B to connect panel 44 to panel 42, then tighten.
- b. Use hardware B to connect panel 45 to panel 43, then tighten.

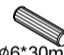
B 
Ø15*10mm
Ø19/32*25/64"
Bx4

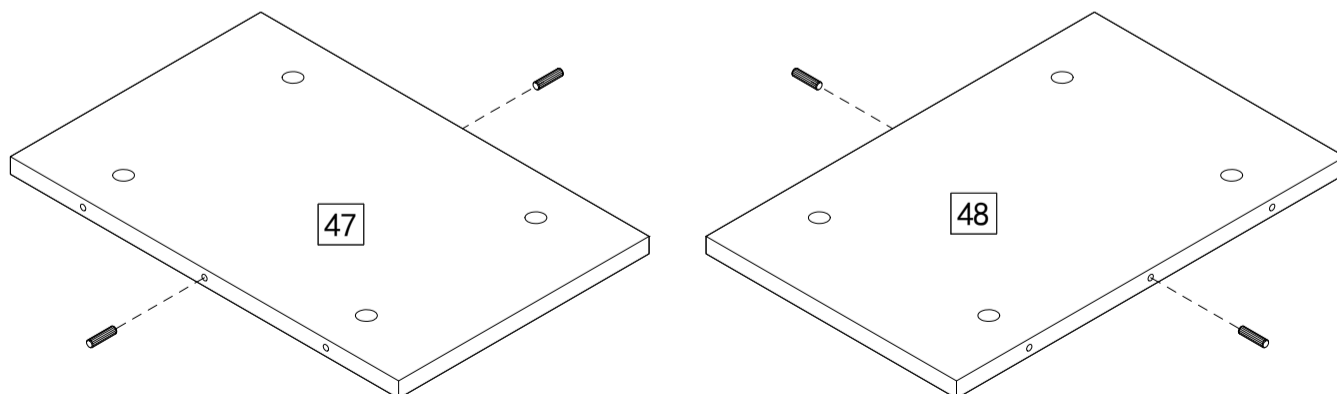


Step 58



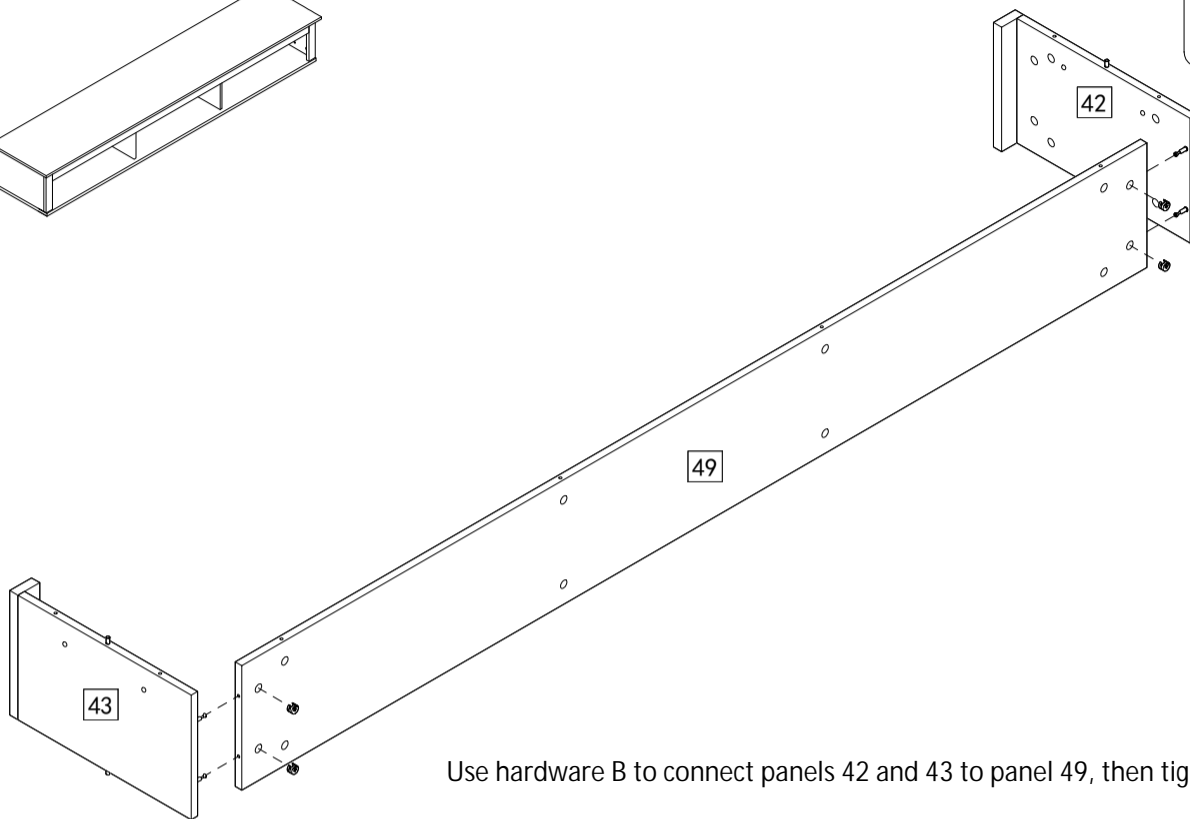
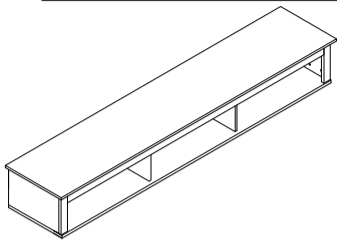
Attach component C to panels 47 and 48.

C 
Ø6*30mm
Ø1/4*1-3/16"
Cx4



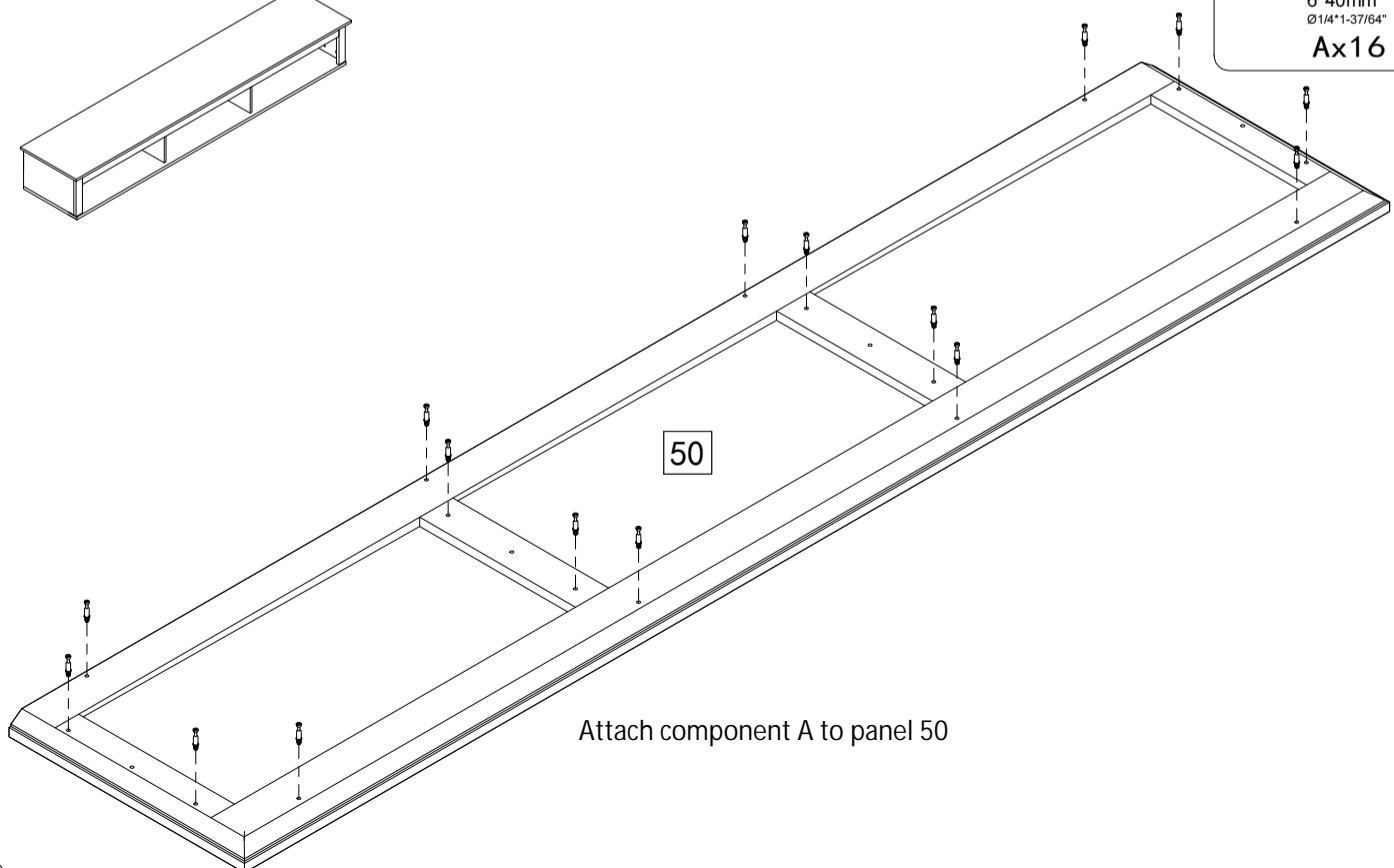
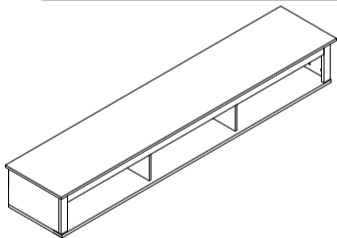
Assembly Instructions

Step 59



Use hardware B to connect panels 42 and 43 to panel 49, then tighten.

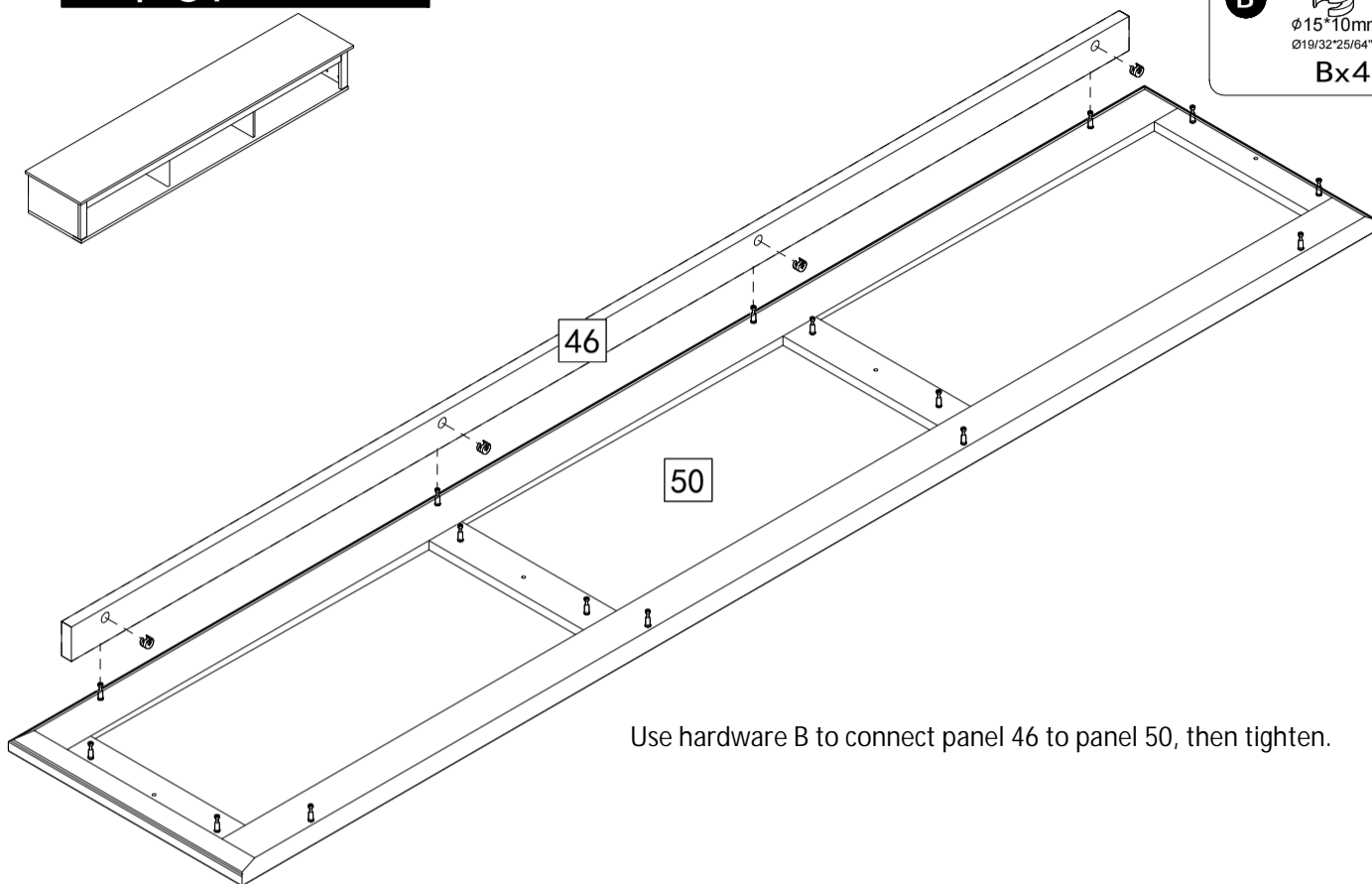
Step 60



Attach component A to panel 50

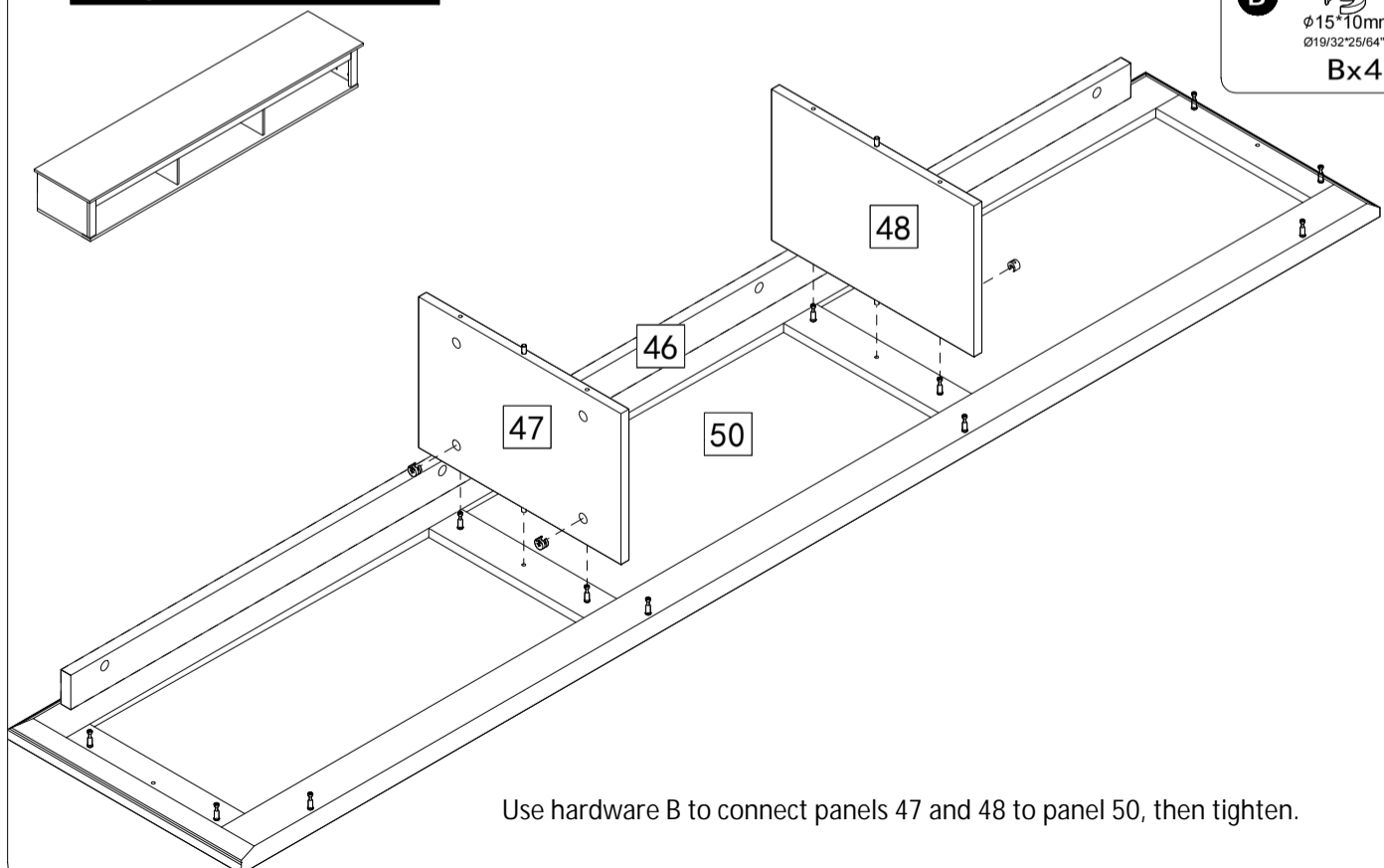
Assembly Instructions

Step 61



Use hardware B to connect panel 46 to panel 50, then tighten.

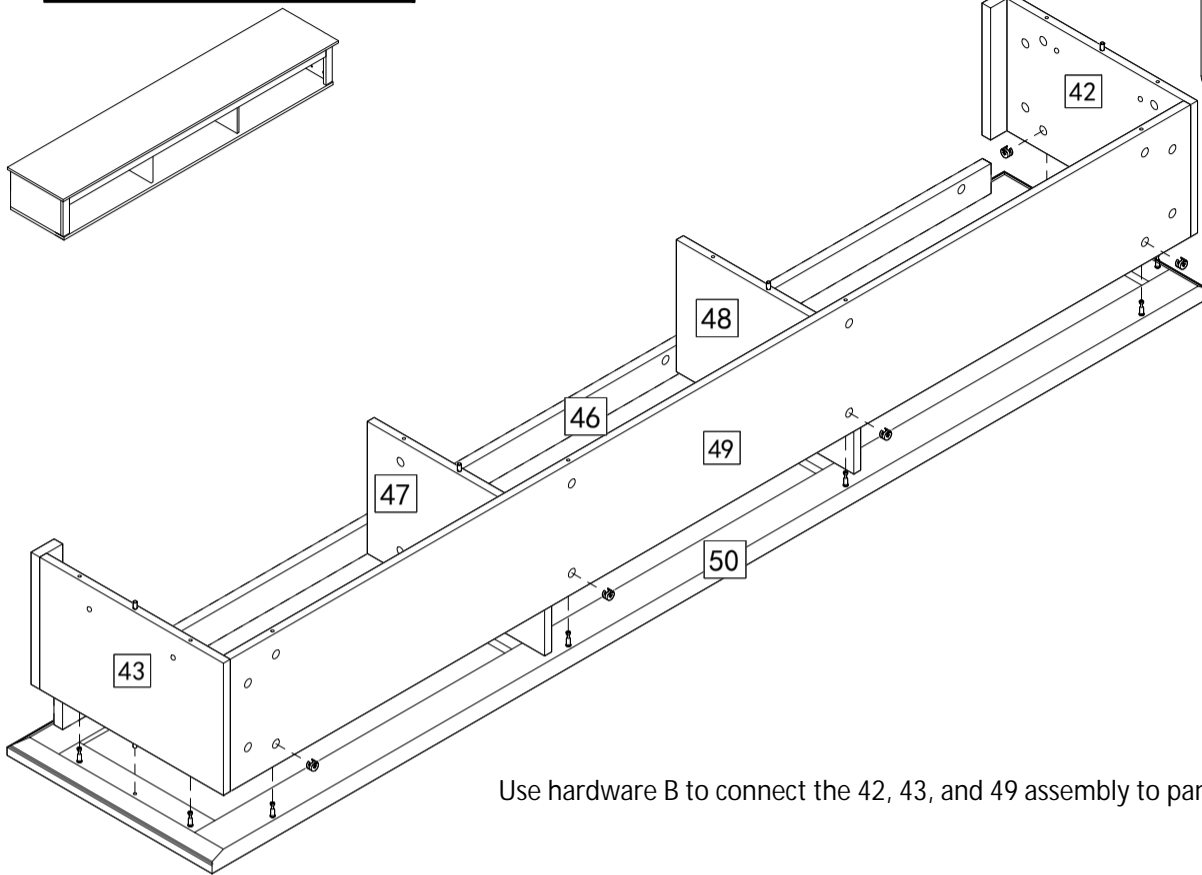
Step 62



Use hardware B to connect panels 47 and 48 to panel 50, then tighten.

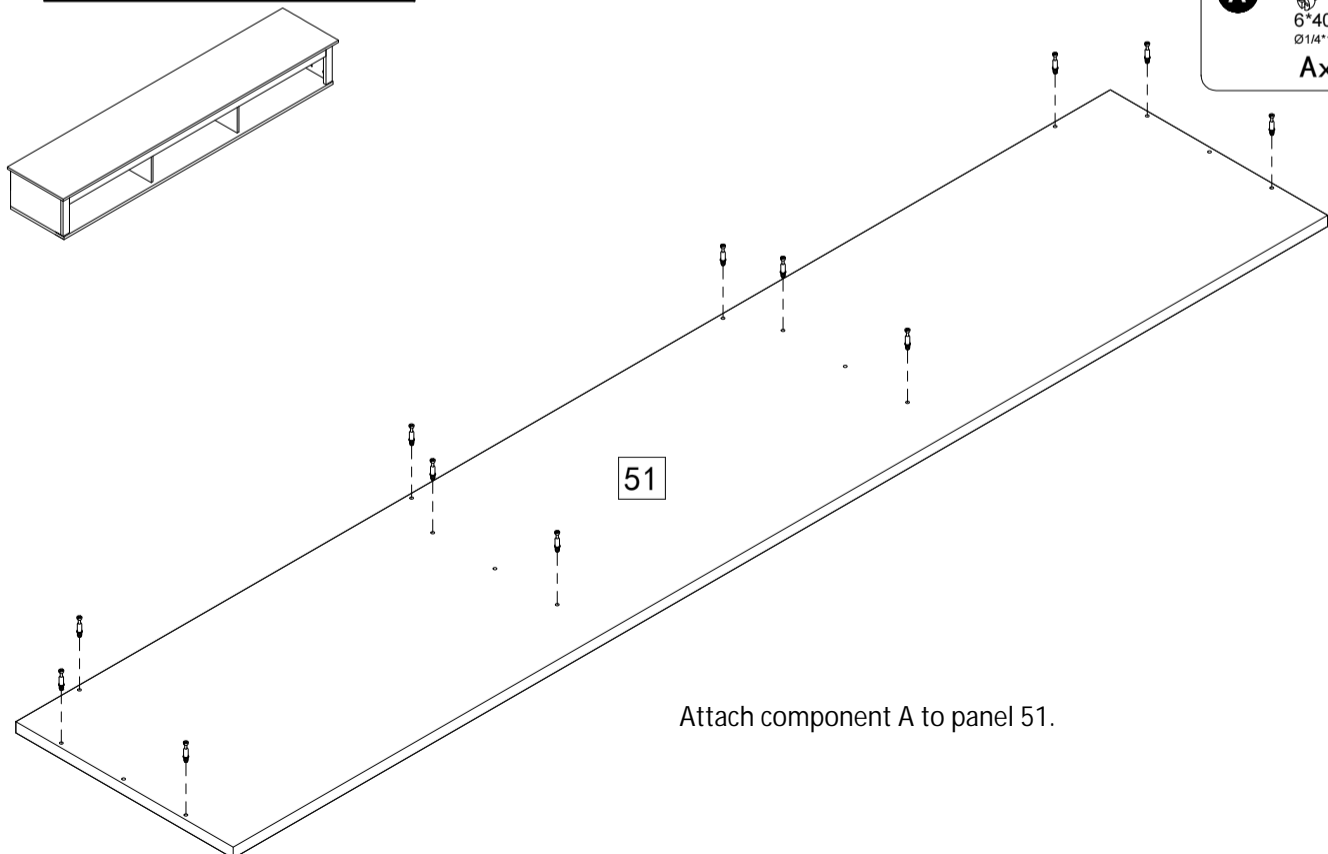
Assembly Instructions

Step 63



Use hardware B to connect the 42, 43, and 49 assembly to panel 50, then tighten.

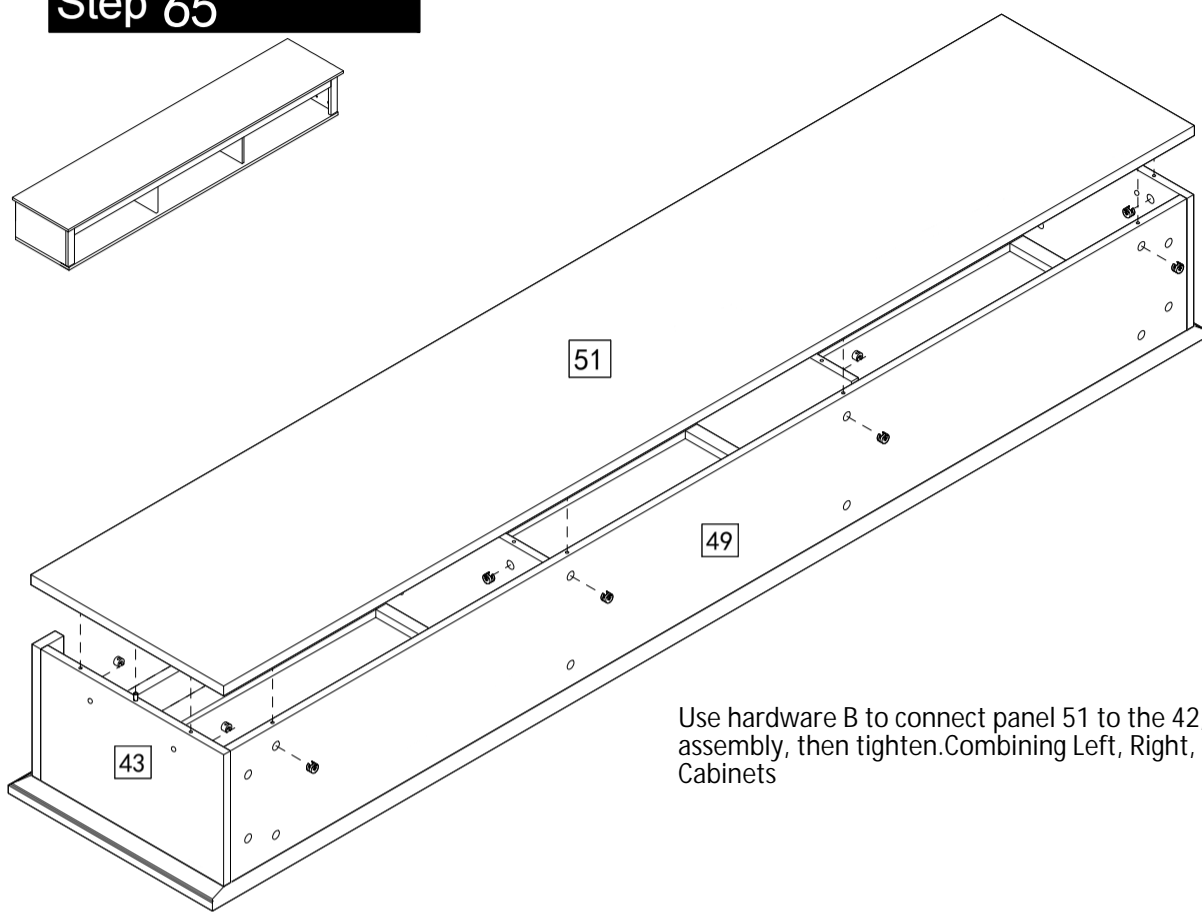
Step 64



Attach component A to panel 51.

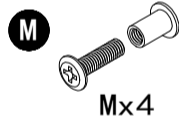
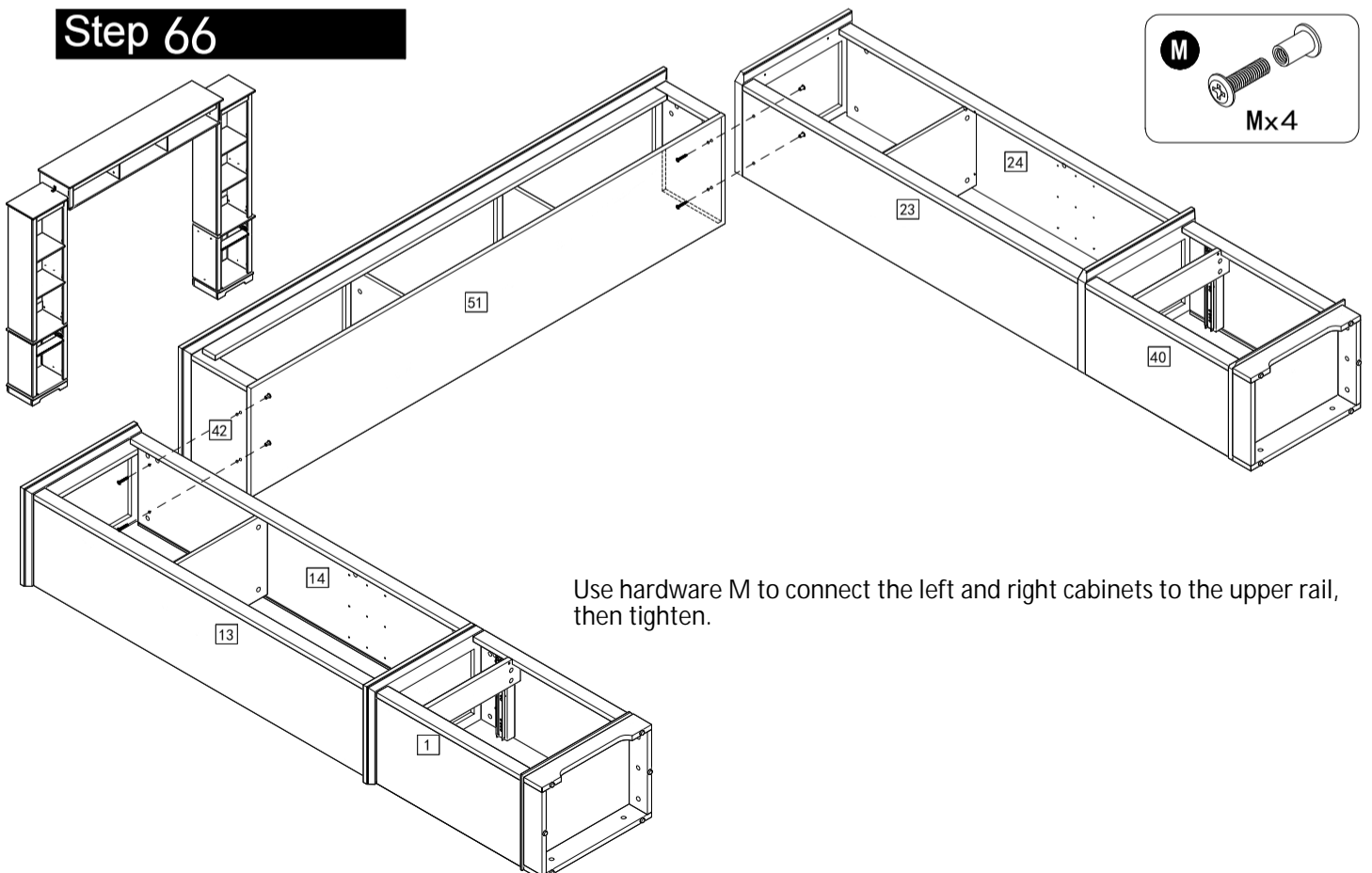
Assembly Instructions

Step 65



Use hardware B to connect panel 51 to the 42, 43, and 49 assembly, then tighten. Combining Left, Right, and Upper Cabinets

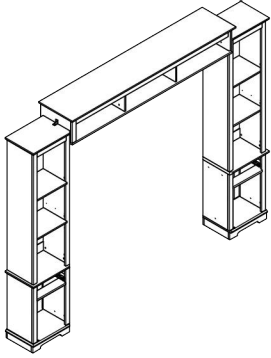
Step 66



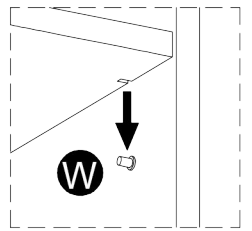
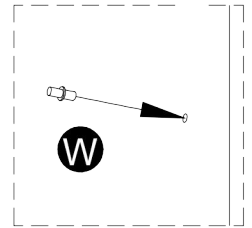
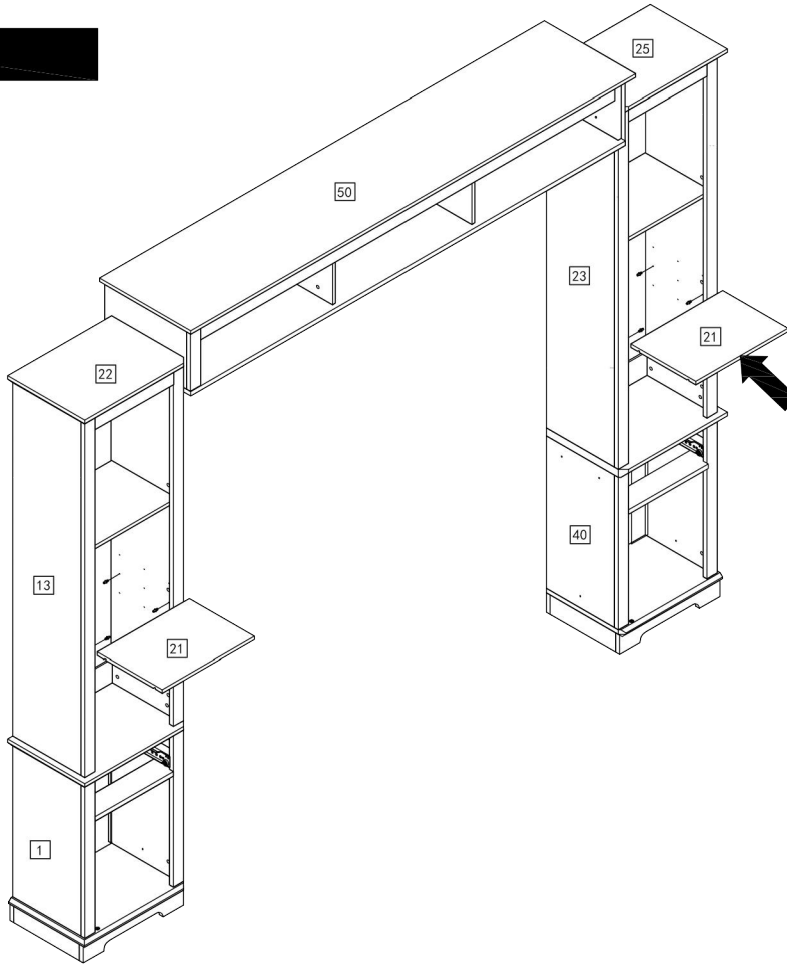
Use hardware M to connect the left and right cabinets to the upper rail, then tighten.

Assembly Instructions

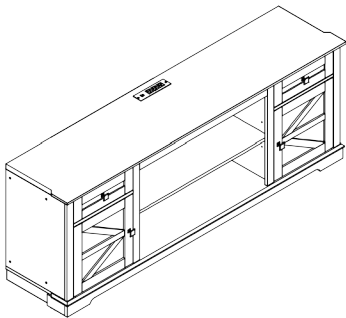
Step 67



Insert panel 21 as shown in the diagram

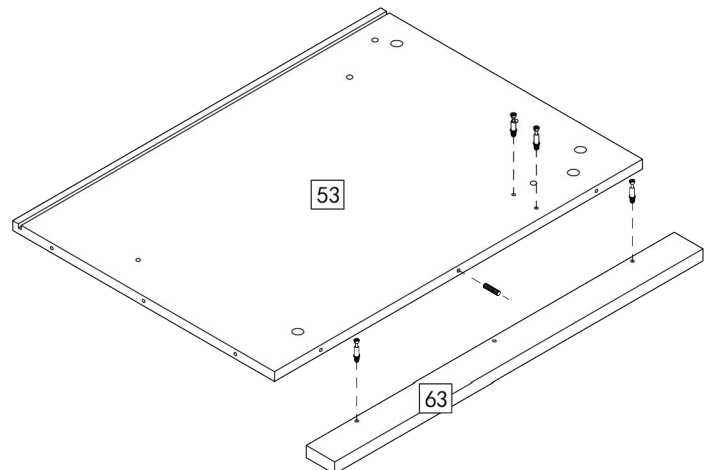
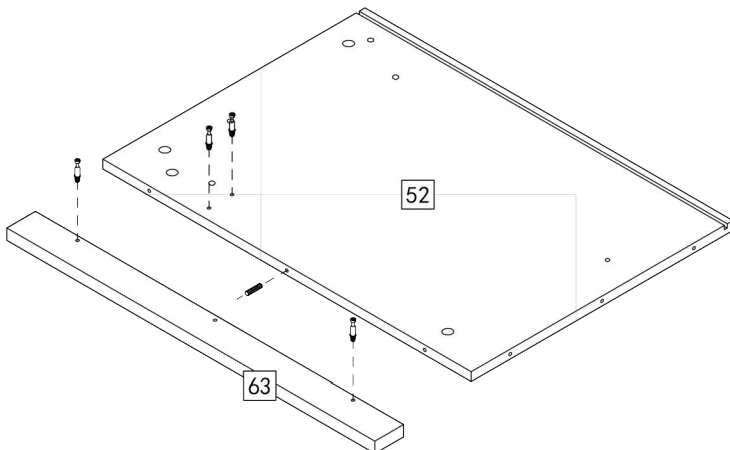


Step 68

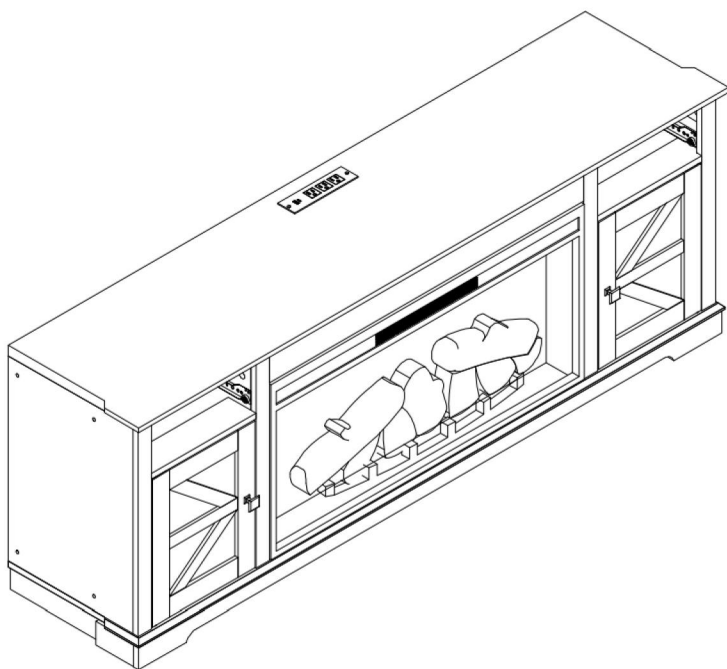
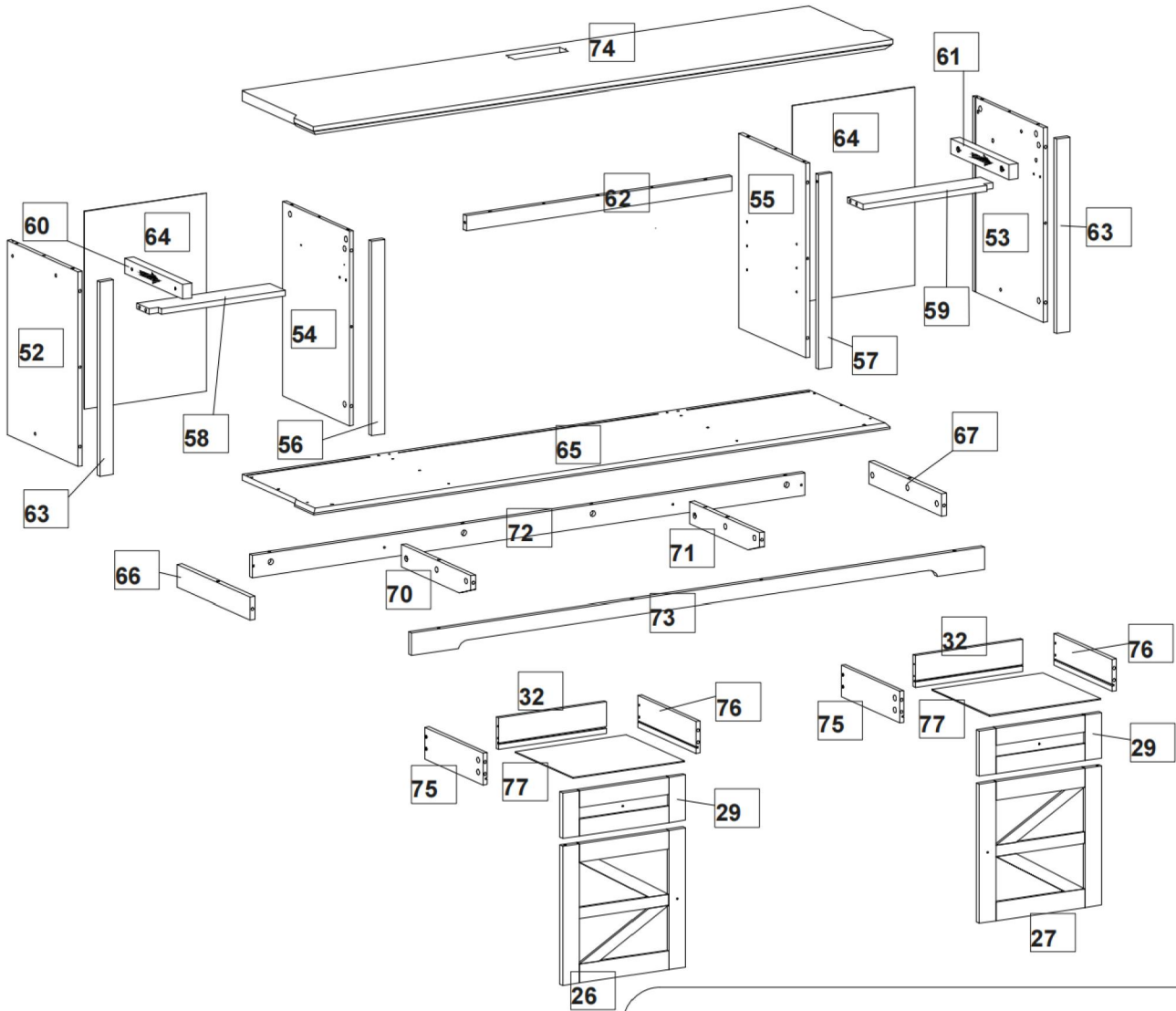


Lower Cabinet Assembly









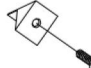




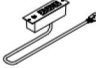


Attach components A and C to panels 52, 53, and 63.



Down cabinet

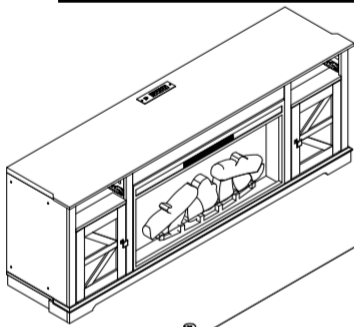


HARDWARE ACCESSORY LIST

A		$\varnothing 1/4 \times 1-37/64$ $\Phi 6 \times 40\text{mm}$ 63PCS	N		2PCS
B		$\varnothing 19/32 \times 25/64$ $\Phi 15 \times 10\text{mm}$ 63PCS	O		2PCS
C		$\varnothing 1/4 \times 1-3/16$ $\Phi 6 \times 30\text{mm}$ 10PCS	R		$\varnothing 1/8 \times 1-19/32$ $M3 \times 16\text{mm}$ 4PCS
F		$\varnothing 1/8 \times 5/32$ $M3 \times 12\text{mm}$ 58PCS	S		13PCS
H		10PCS	K		4PCS
I		$\varnothing 13/64 \times 1-37/64$ $M5 \times 40\text{mm}$ 28PCS	P		4PCS
J		$\varnothing 15/64 \times 3/16$ $M6 \times 30\text{mm}$ 4PCS	T		1PC
Q		4PCS	L		4PCS

Assembly Instructions

Step 69

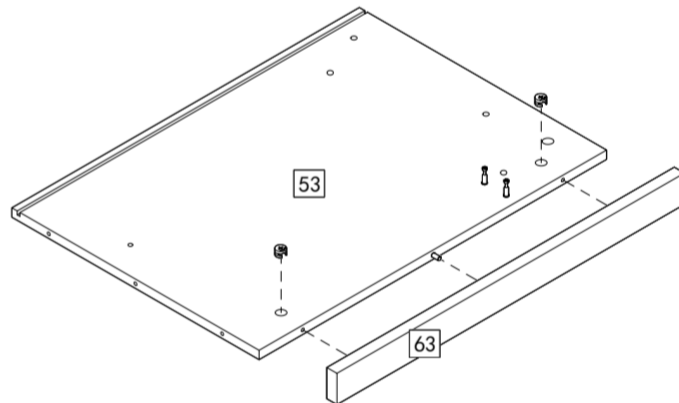
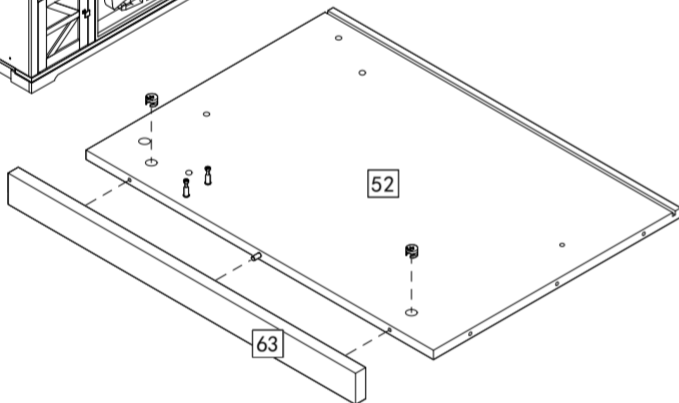


Connect panel 63 to panels 52 and 53 using hardware B and tighten.

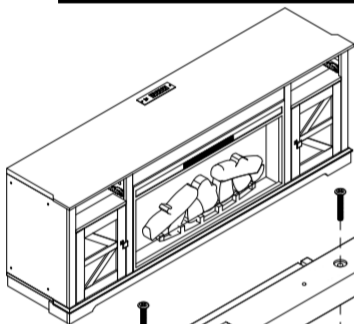
B



Ø 15*10mm
Ø 19/32*25/64"
B x 4



Step 70

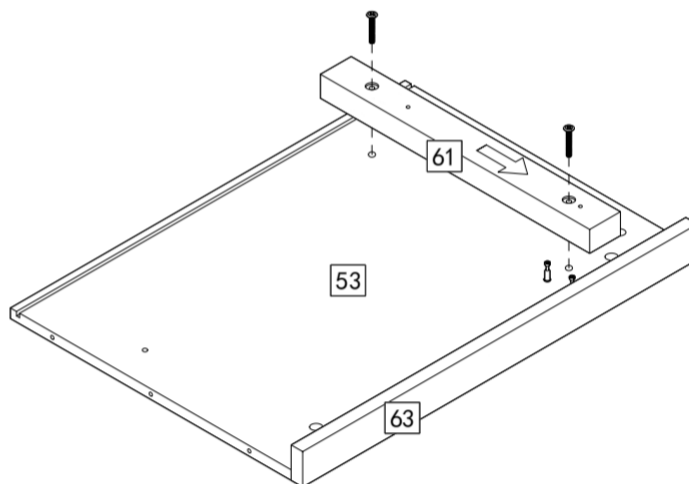
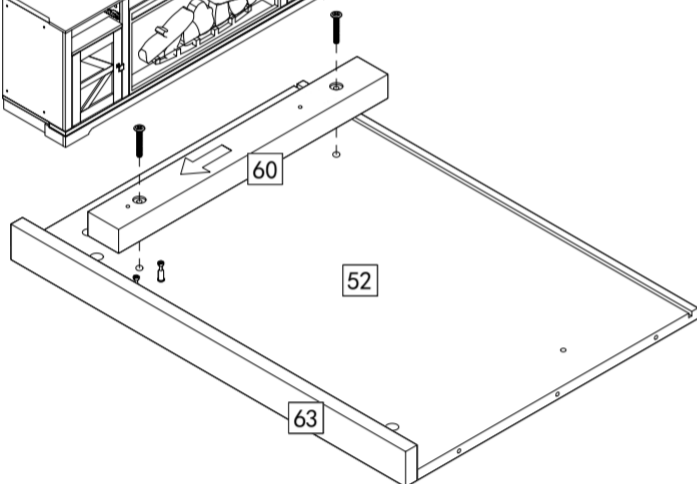


a. Connect panel 60 to panel 52 using hardware J and tighten.
b. Connect panel 61 to panel 53 using hardware J and tighten.

J

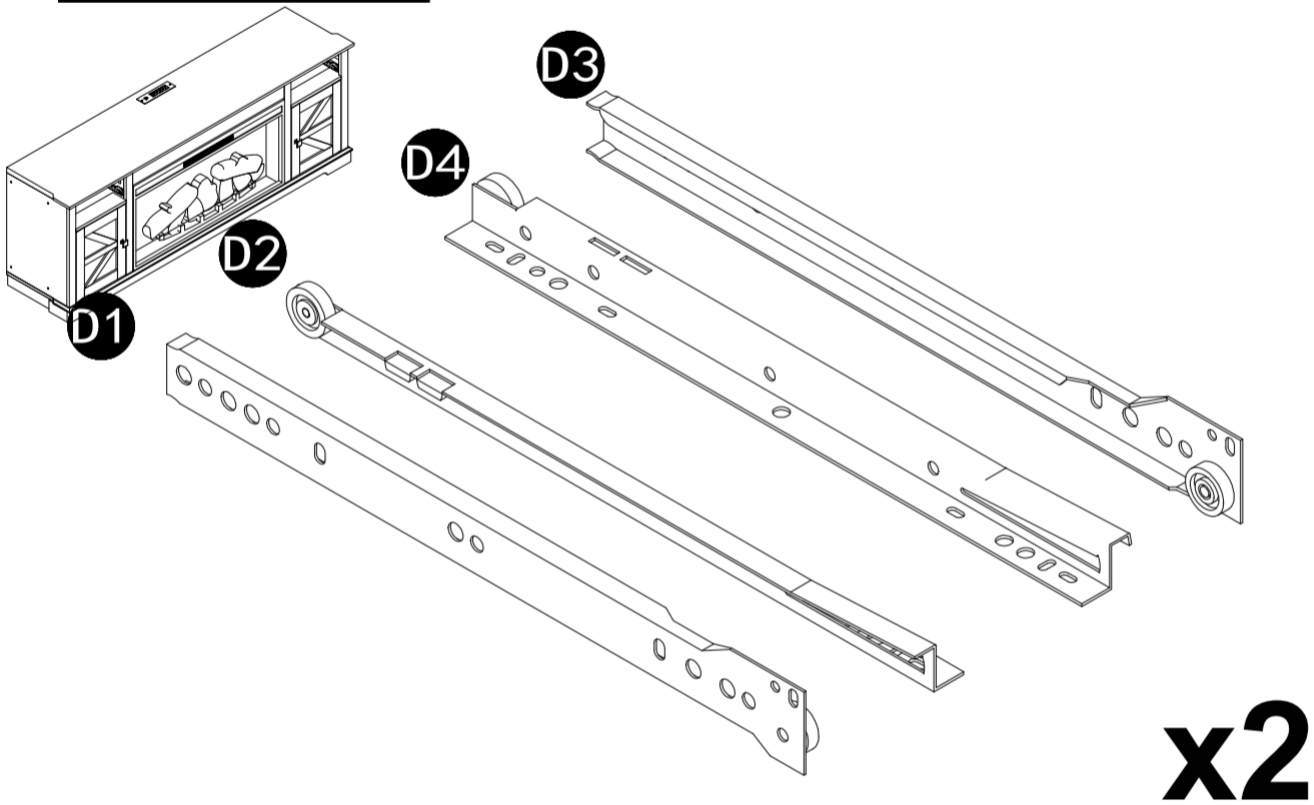


6*30mm
Ø 15/64*3/16"
J x 4

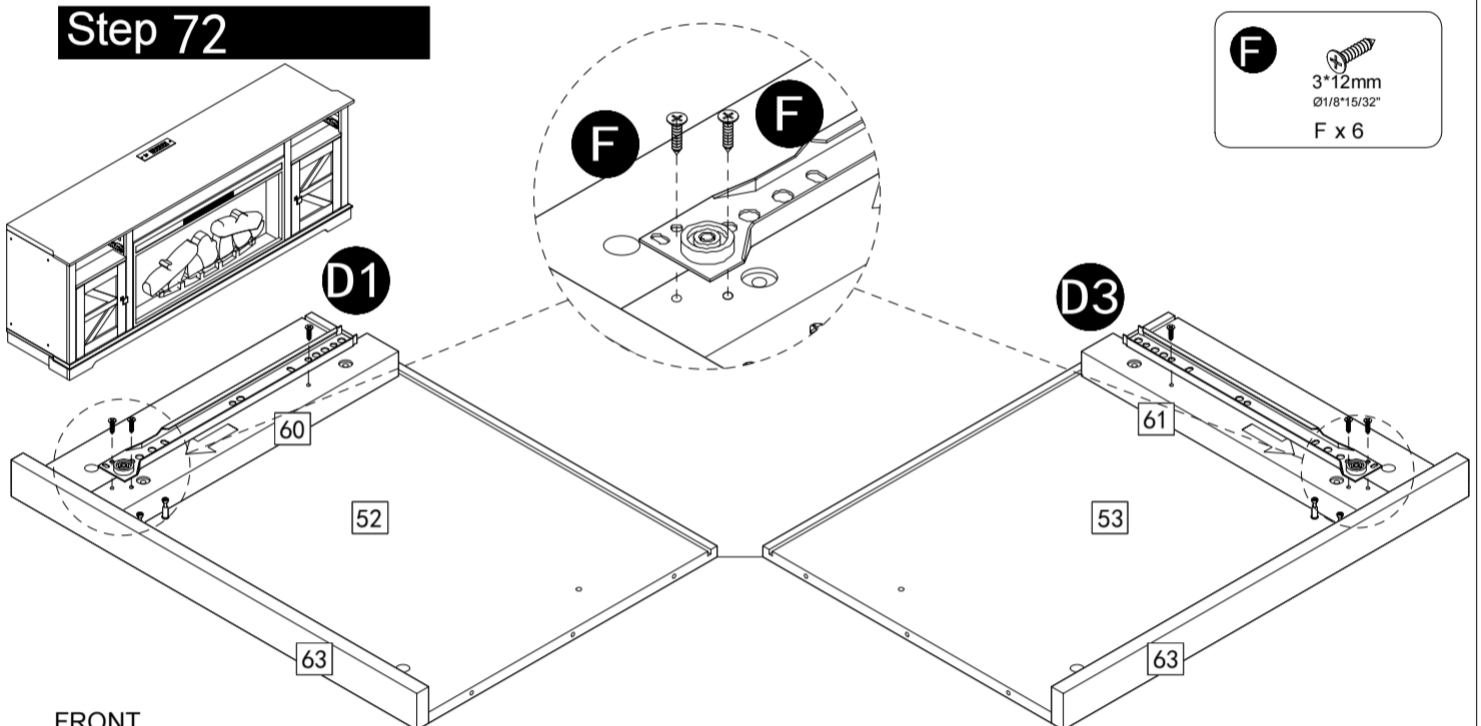


Assembly Instructions

Step 71



Step 72



FRONT

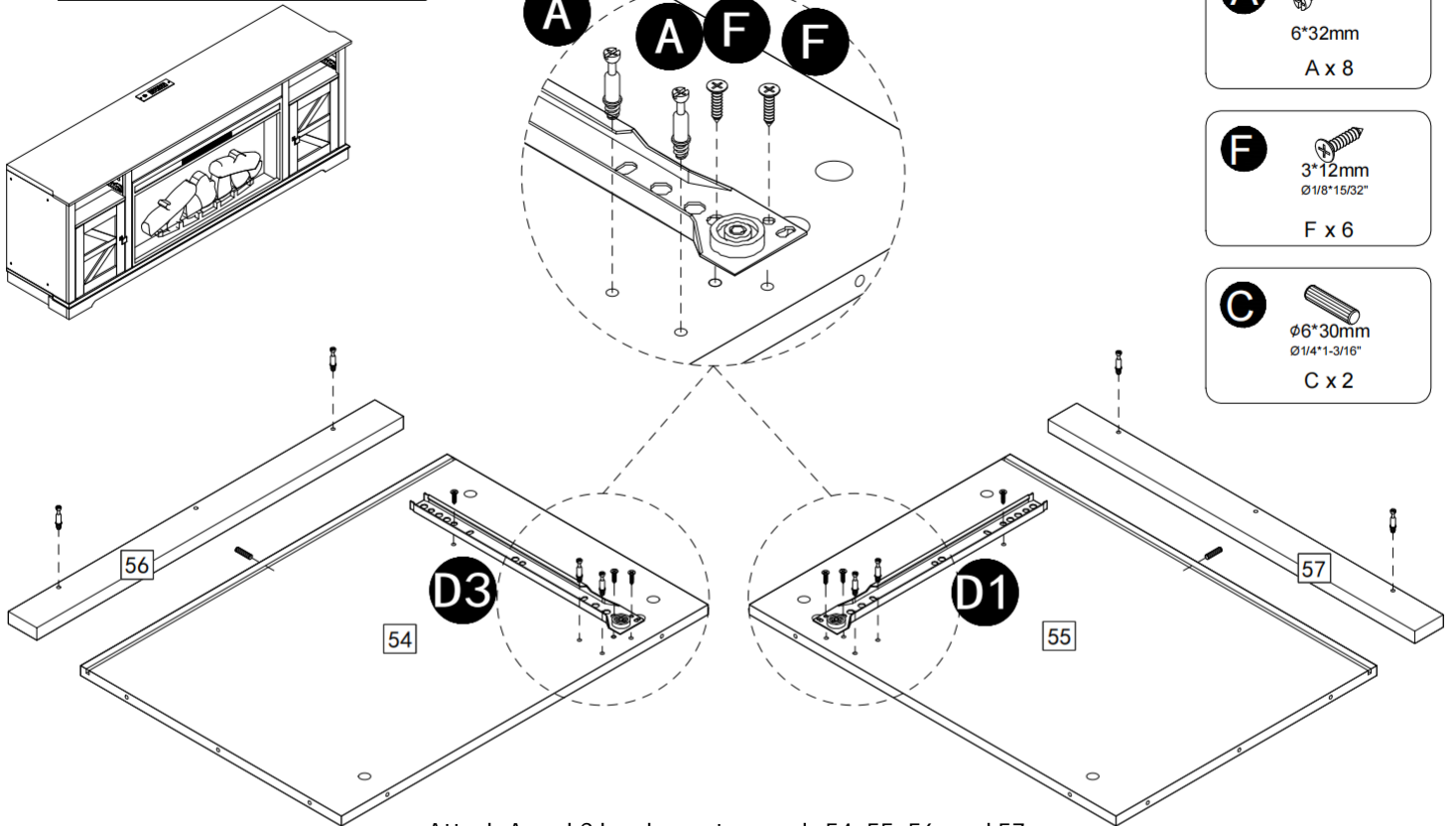
Attention:
1. Please locate the holes from the back of part 44-1.



a. Attach D1 to panel 60 using hardware F and tighten.
b. Attach D3 to panel 61 using hardware F and tighten.
Note: Align holes according to the enlarged diagram.

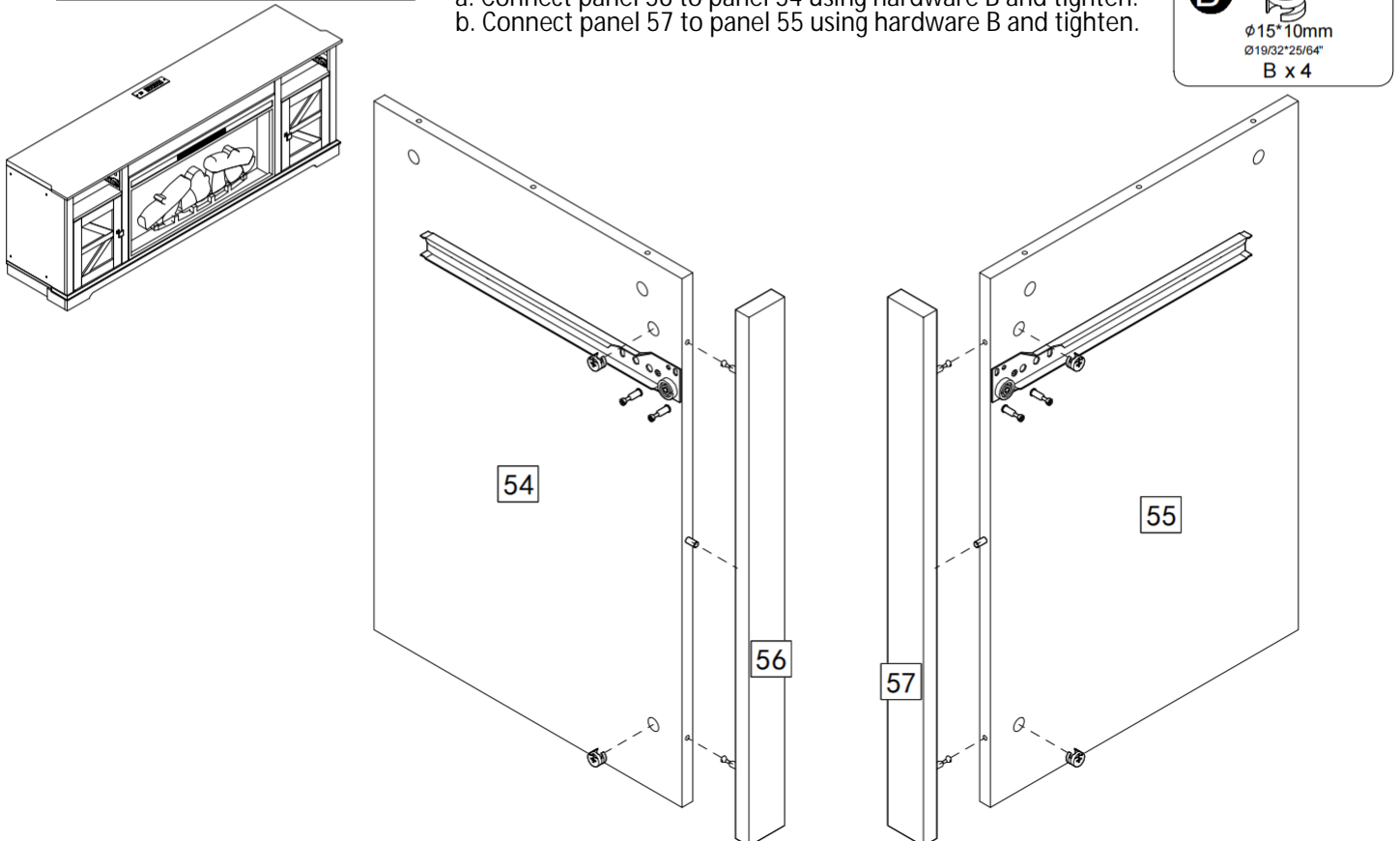
Assembly Instructions

Step 73



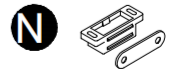
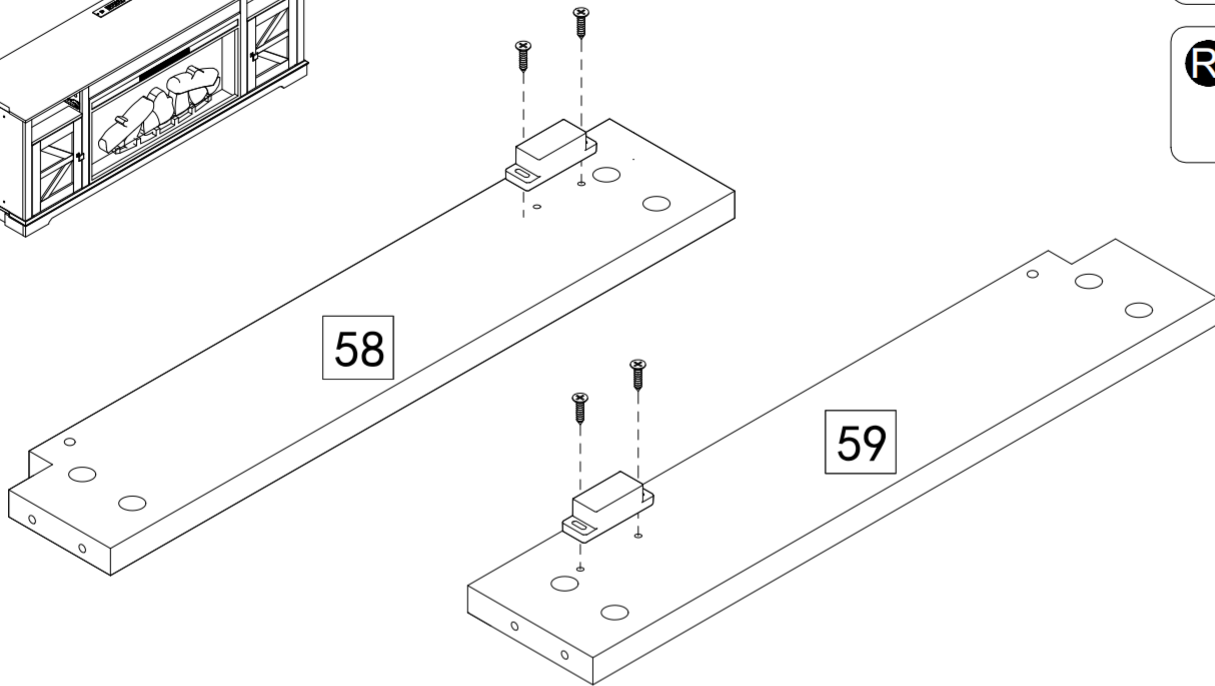
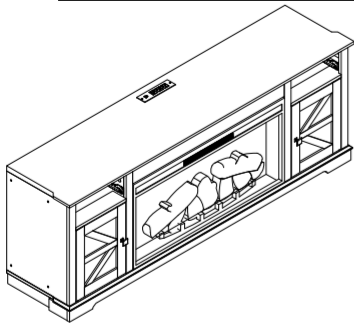
Attach A and C hardware to panels 54, 55, 56, and 57.

Step 74



Assembly Instructions

Step 75



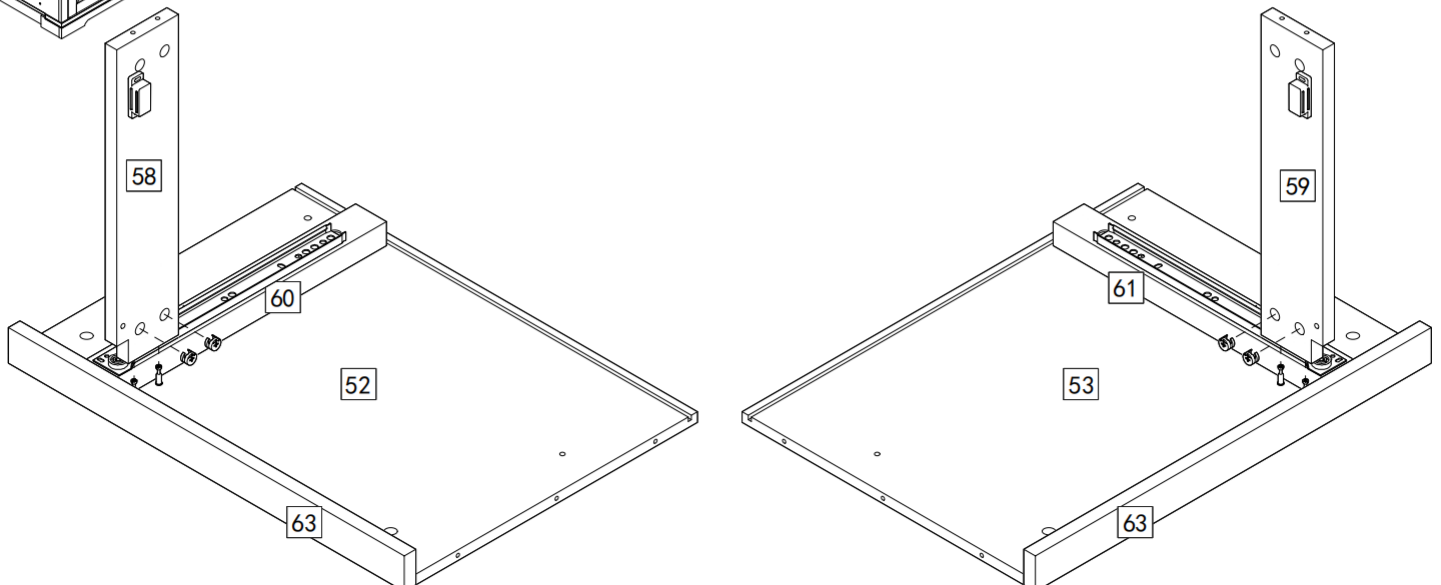
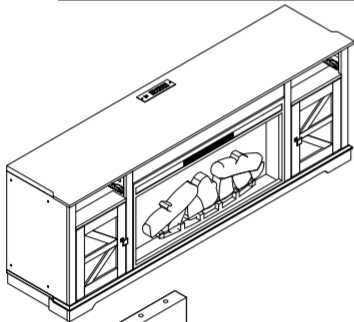
N x 2



3*16mm
Ø1/8"-1-19/32"
R x 4

Attach N hardware to panels 58 and 59 using hardware R and tighten.

Step 76

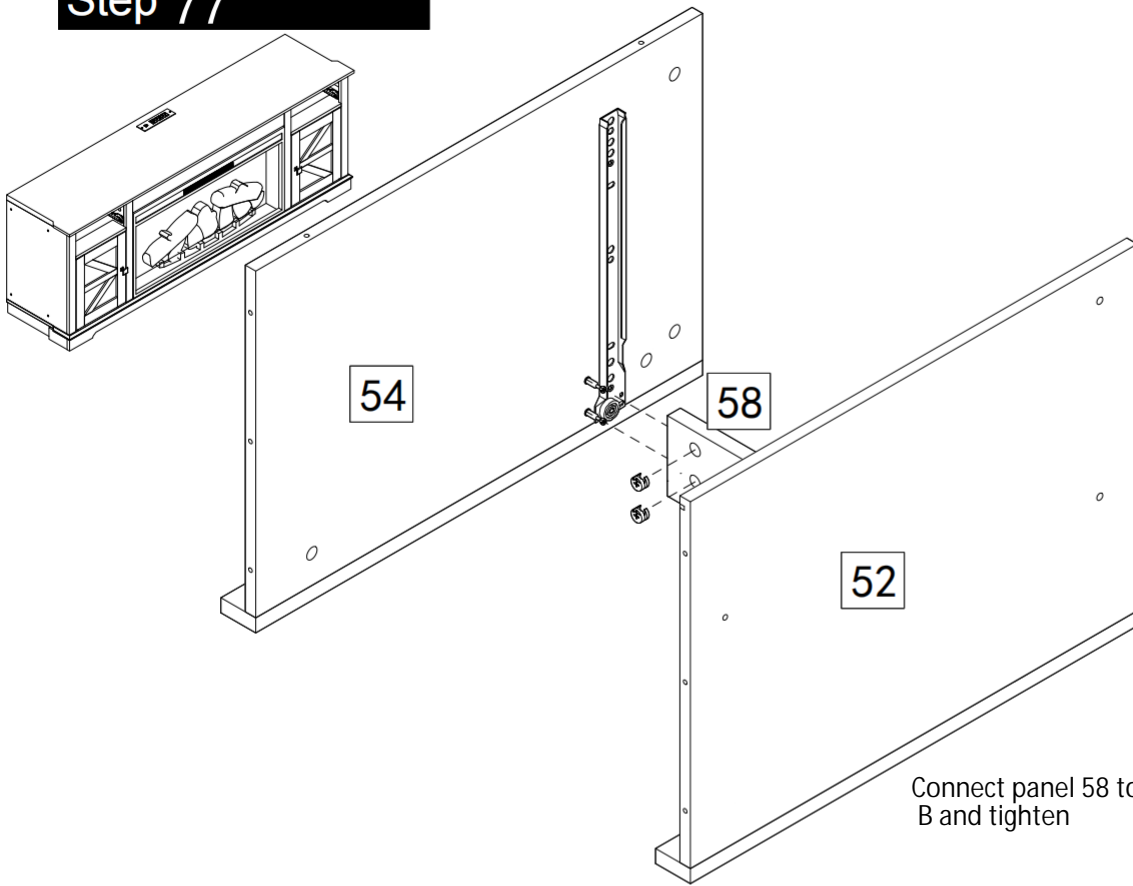


B x 4
Ø15*10mm
Ø19/32*25/64"

- Connect panel 58 to panel 52 using hardware B and tighten.
- Connect panel 59 to panel 53 using hardware B and tighten.

Assembly Instructions

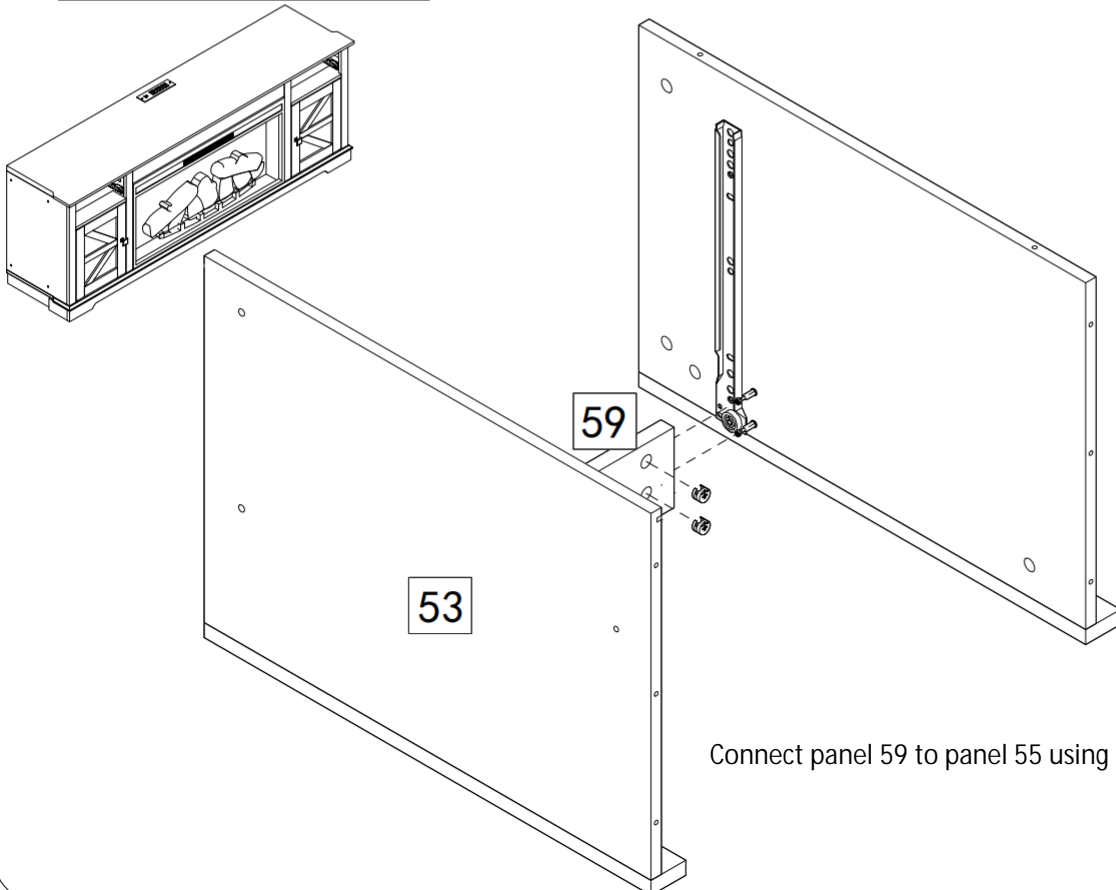
Step 77



B
Ø15*10mm
Ø19/32*25/64"
B x 2

Connect panel 58 to panel 54 using hardware B and tighten

Step 78

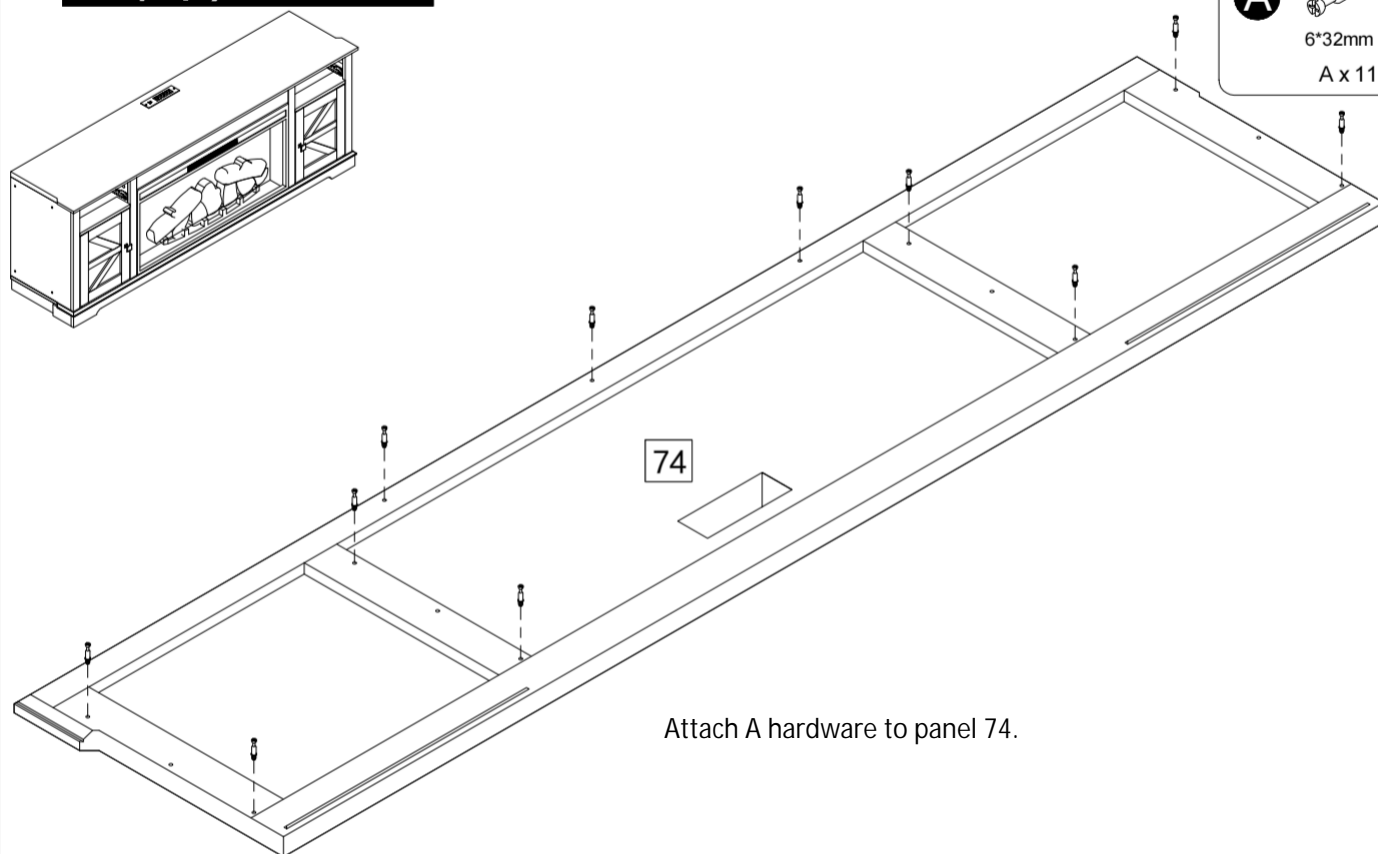
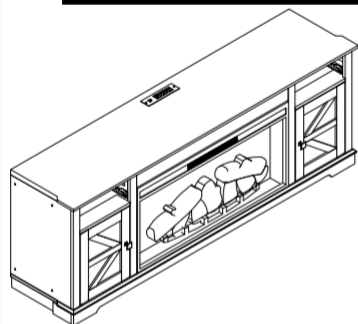


B
Ø15*10mm
Ø19/32*25/64"
B x 2

Connect panel 59 to panel 55 using hardware B and tighten.

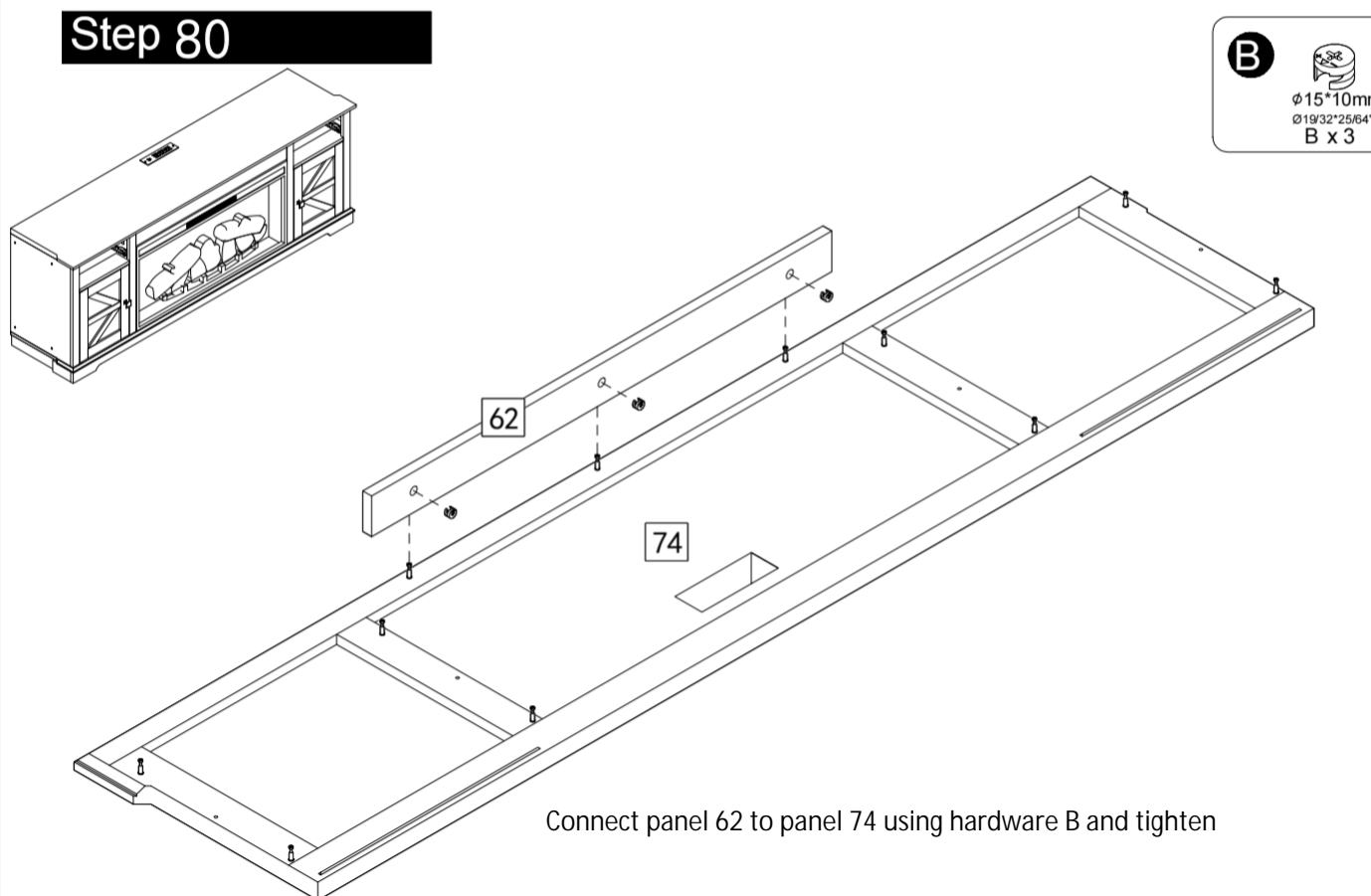
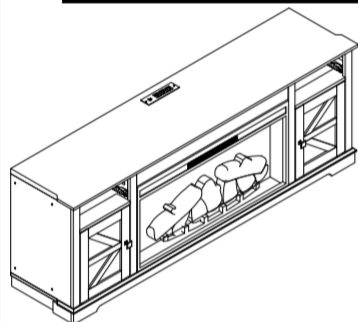
Assembly Instructions

Step 79



Attach A hardware to panel 74.

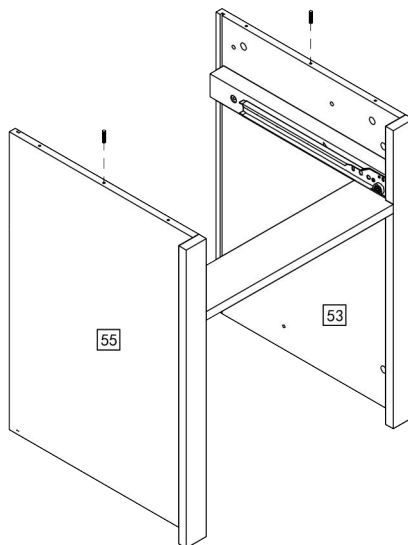
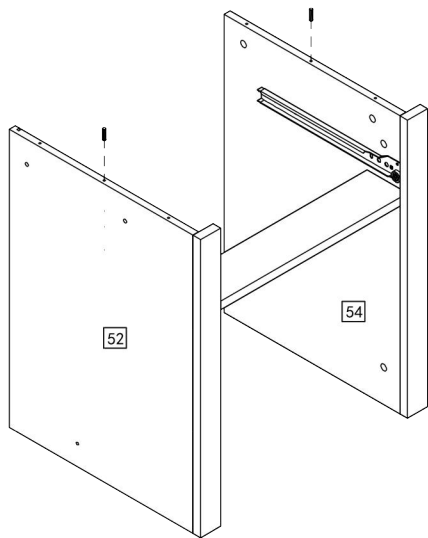
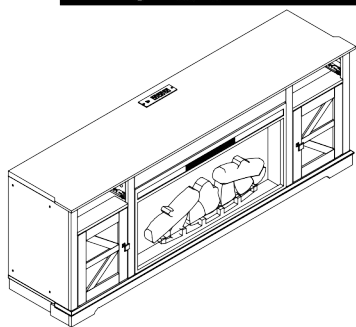
Step 80



Connect panel 62 to panel 74 using hardware B and tighten

Assembly Instructions

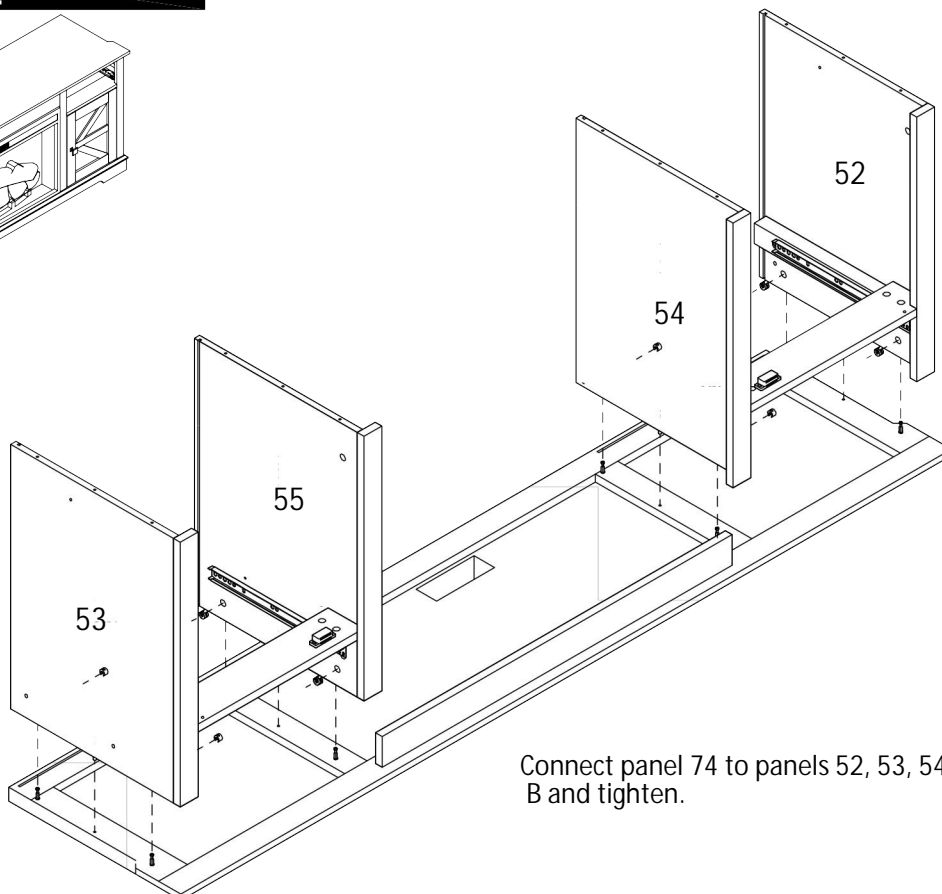
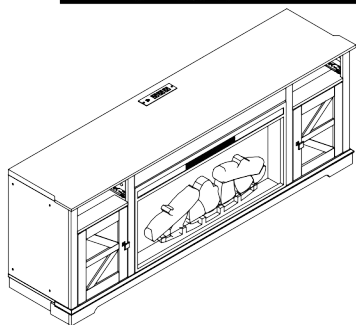
Step 81



Ø6*30mm
Ø1/4*1-3/16"
C x 4

Attach C hardware to panels 52, 53, 54, and 55.

Step 82

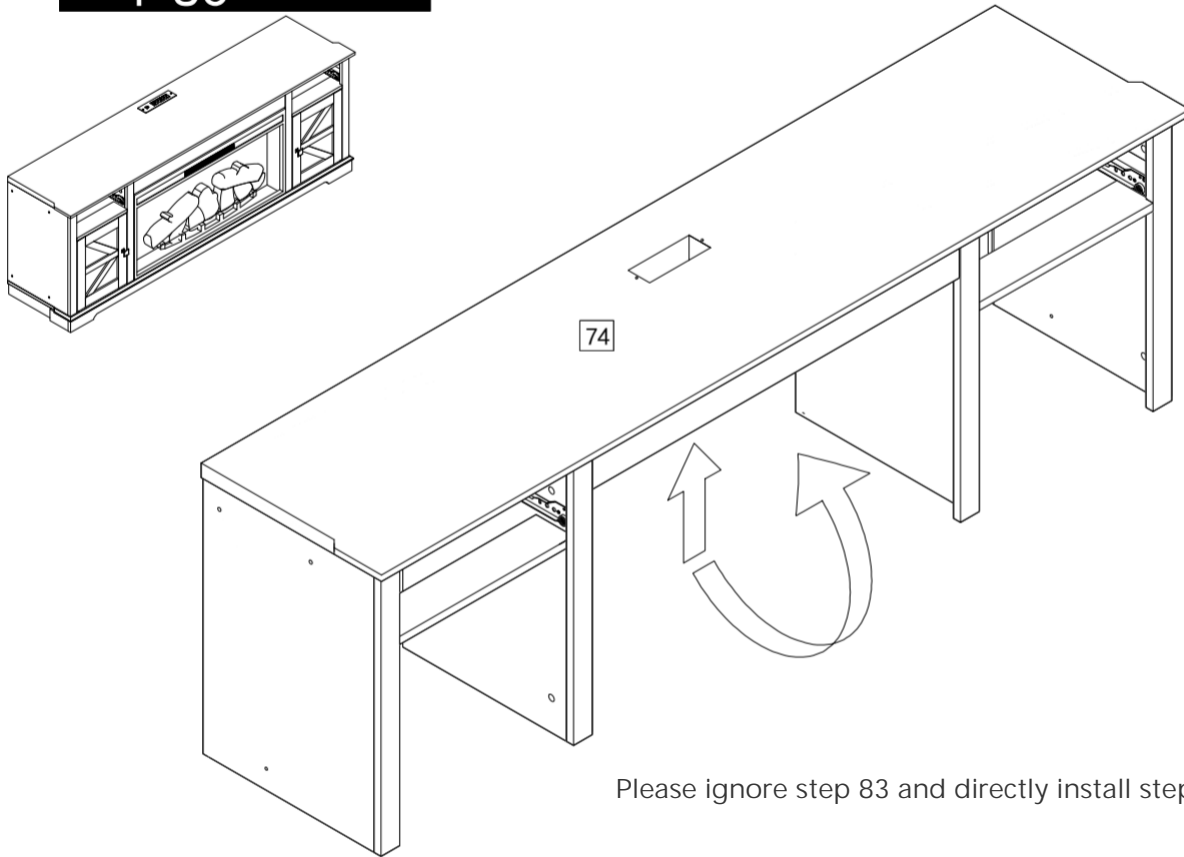


Ø15*10mm
Ø19/32*25/64"
B x 8

Connect panel 74 to panels 52, 53, 54, and 55 using hardware B and tighten.

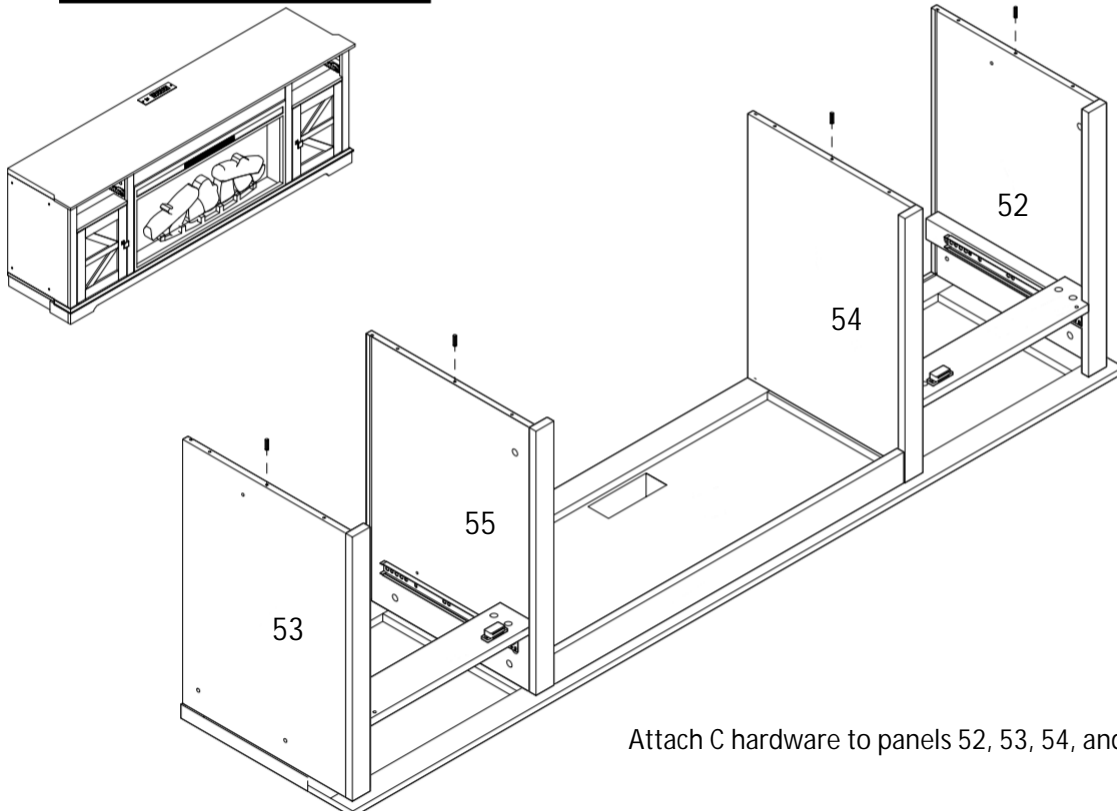
Assembly Instructions

Step 83



Please ignore step 83 and directly install step 84.

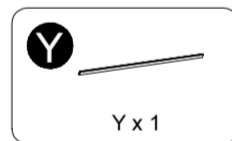
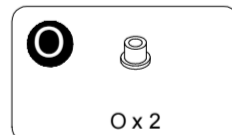
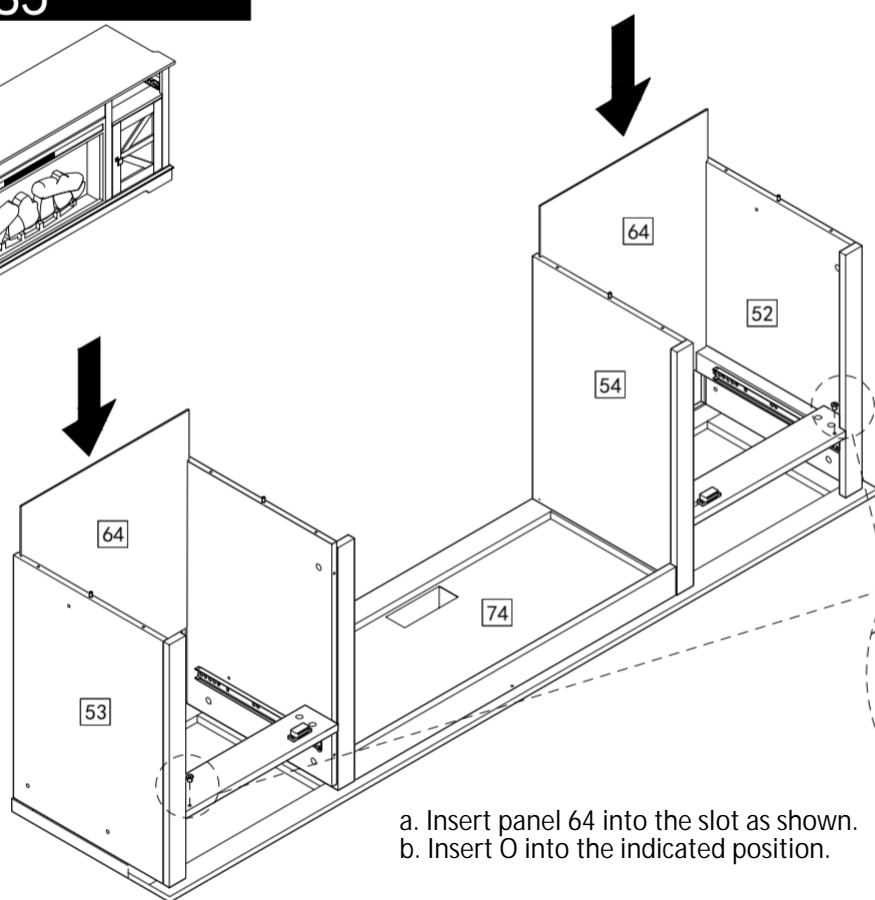
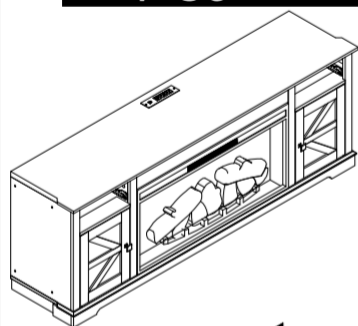
Step 84



Attach C hardware to panels 52, 53, 54, and 55.

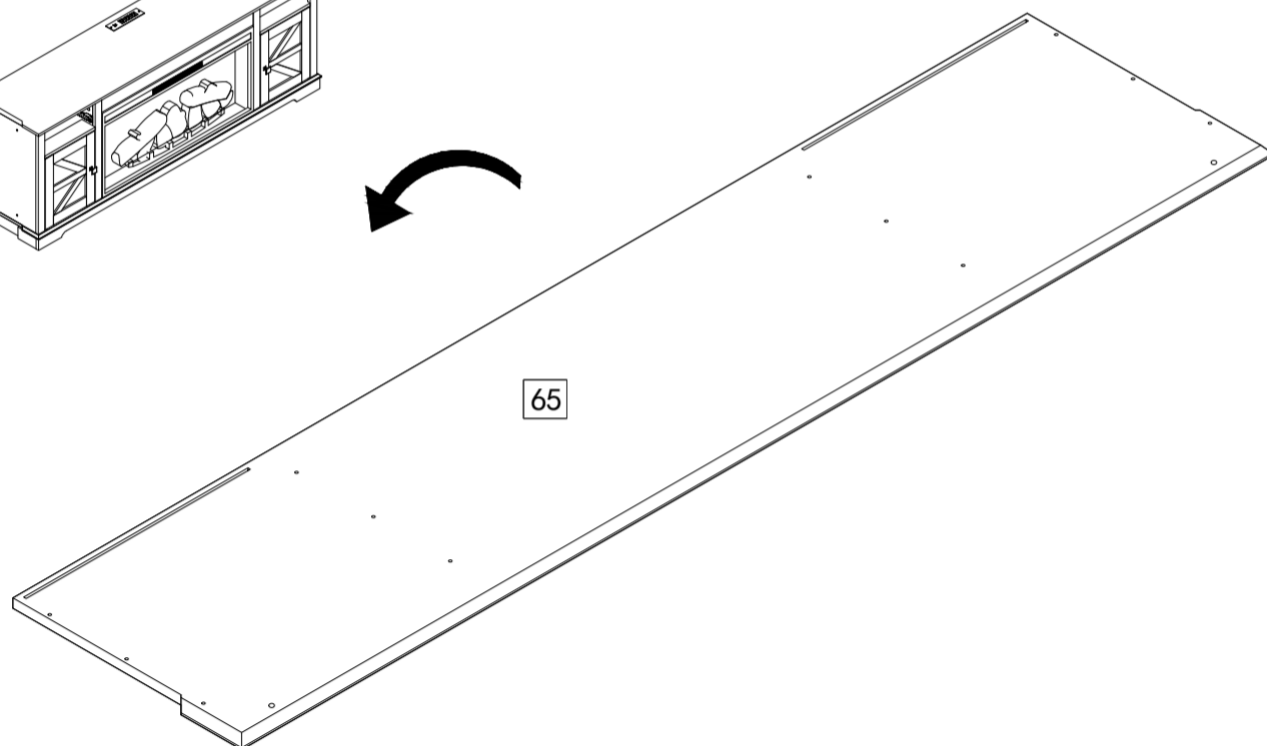
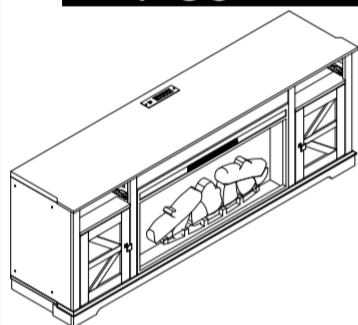
Assembly Instructions

Step 85



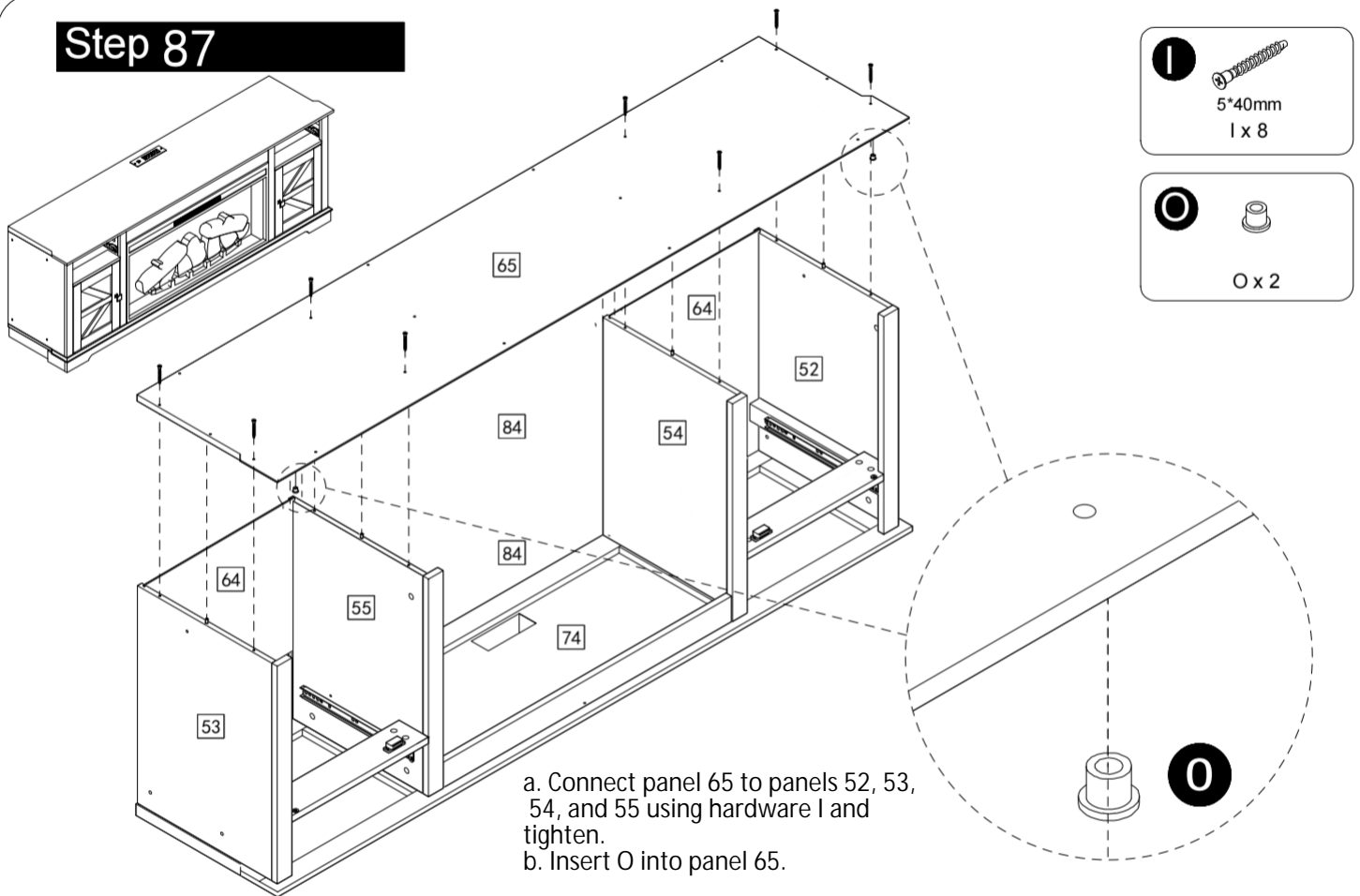
- a. Insert panel 64 into the slot as shown.
- b. Insert O into the indicated position.

Step 86

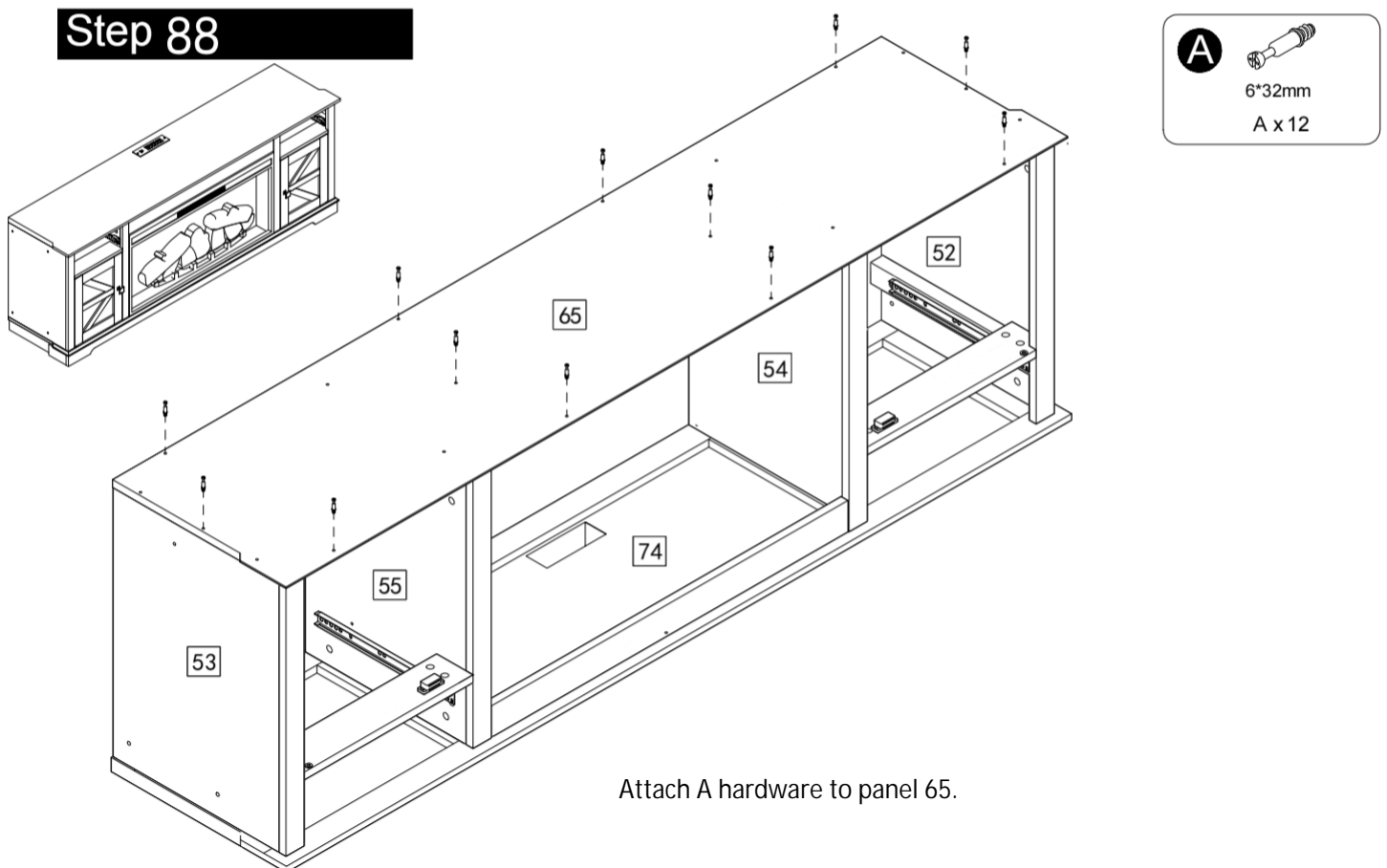


Assembly Instructions

Step 87

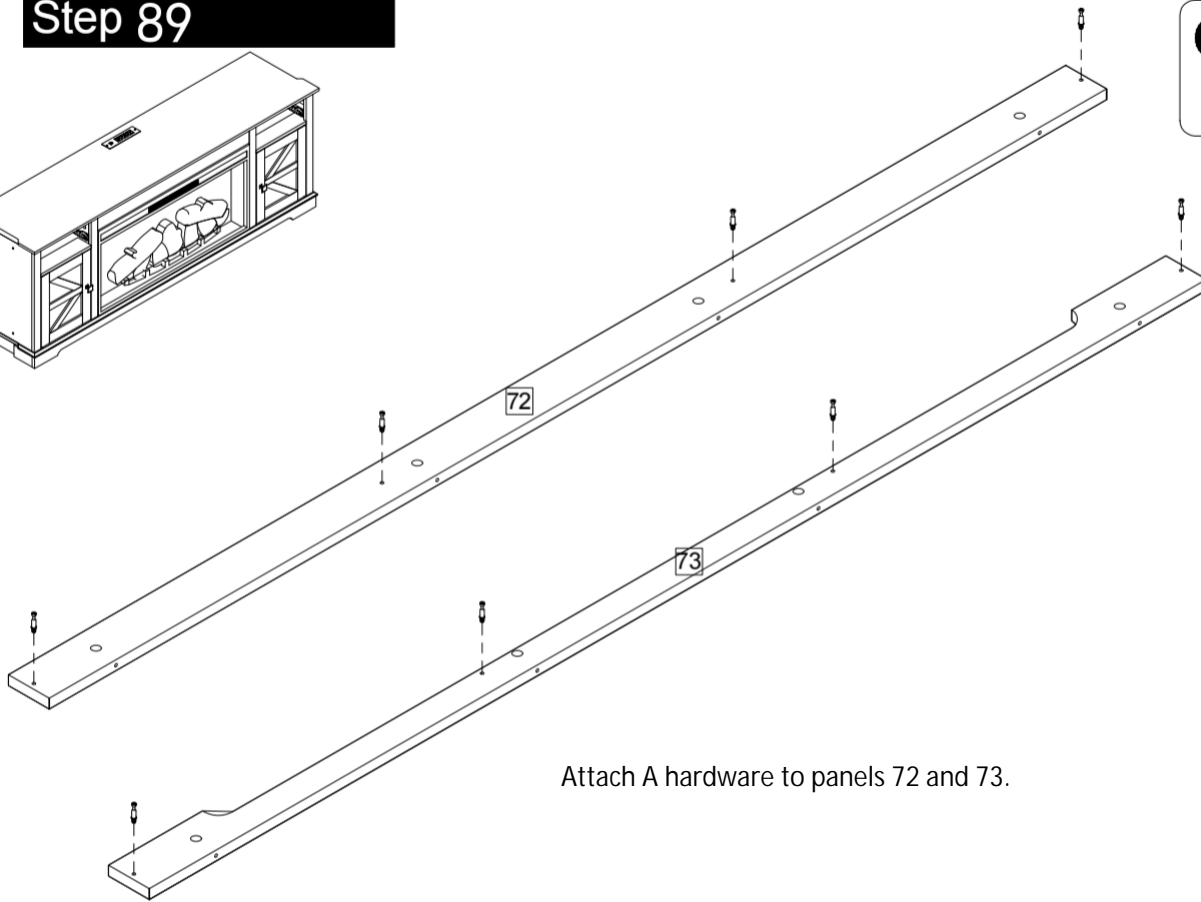
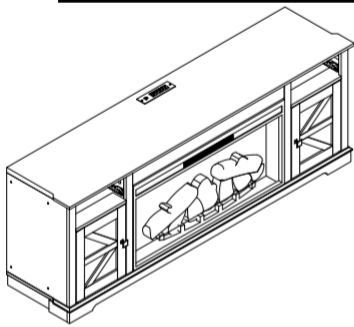


Step 88



Assembly Instructions

Step 89



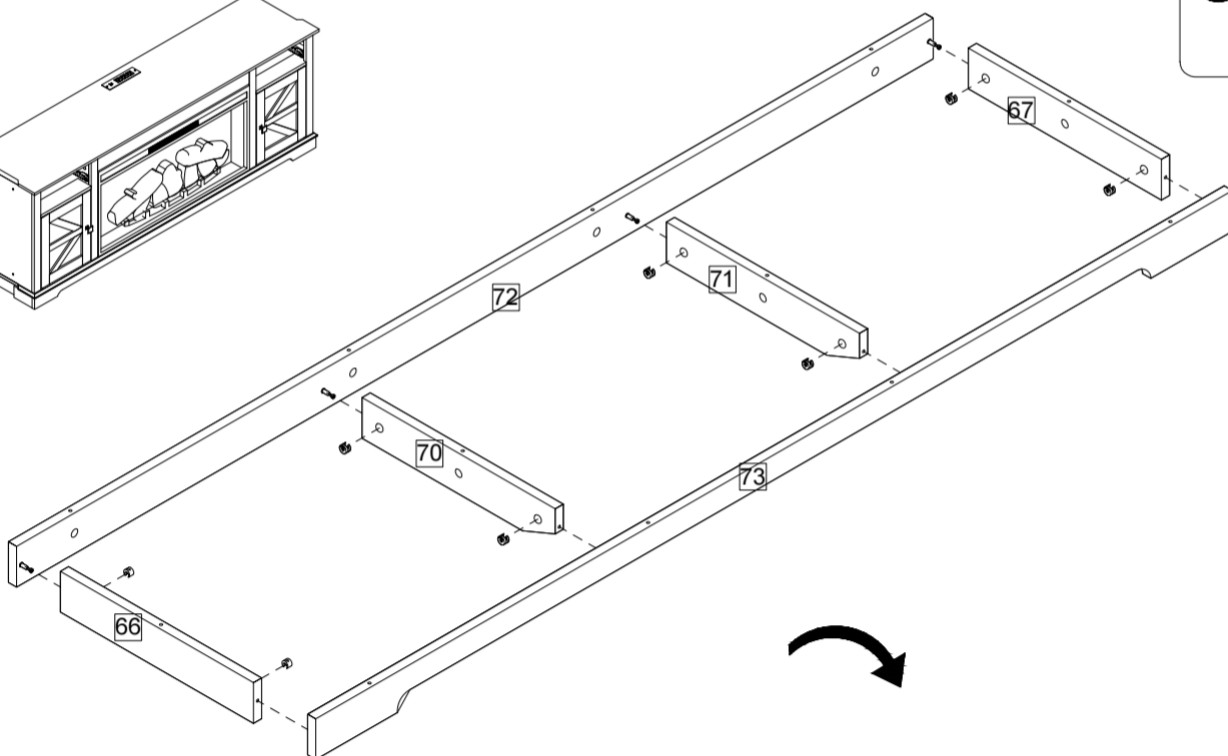
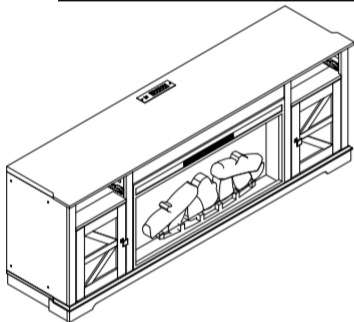
A



6*32mm
A x 8

Attach A hardware to panels 72 and 73.

Step 90



B

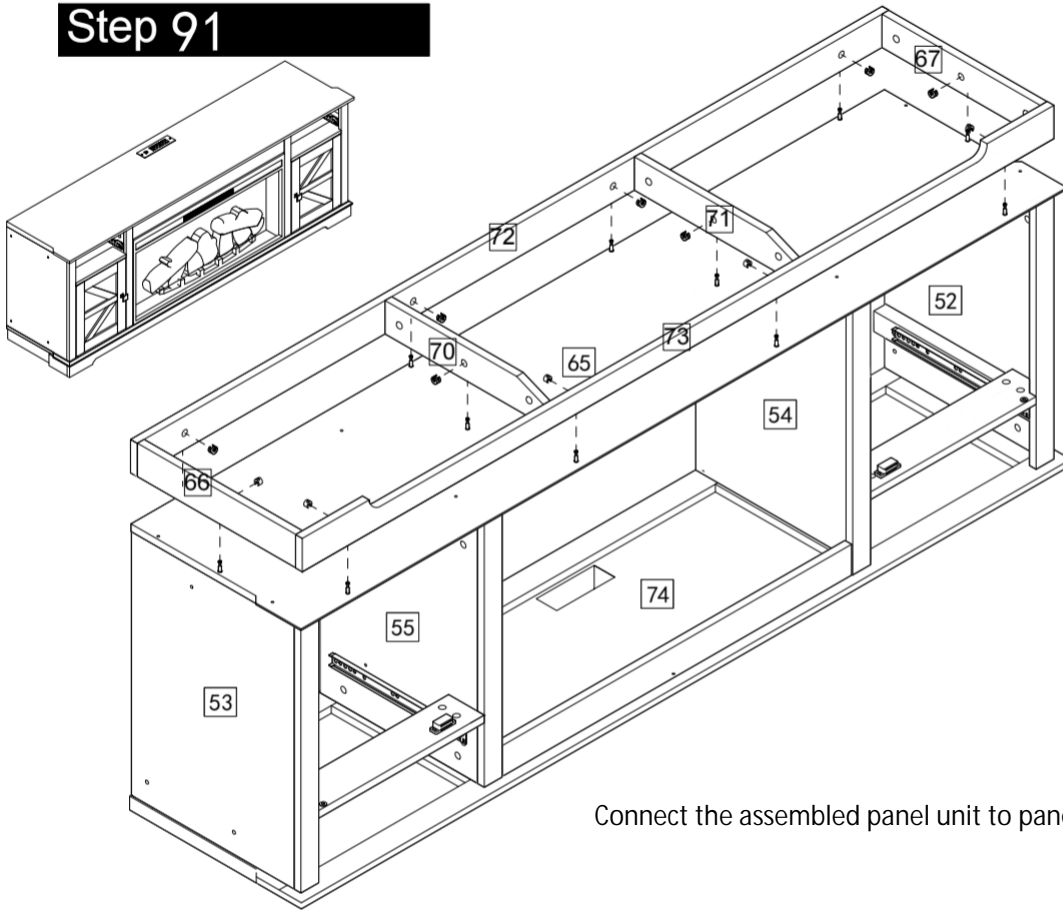


Ø15*10mm
Ø19/32*25/64"
B x 8

Connect panels 72 and 73 to panels 66, 67, 70, and 71 using hardware B and tighten

Assembly Instructions

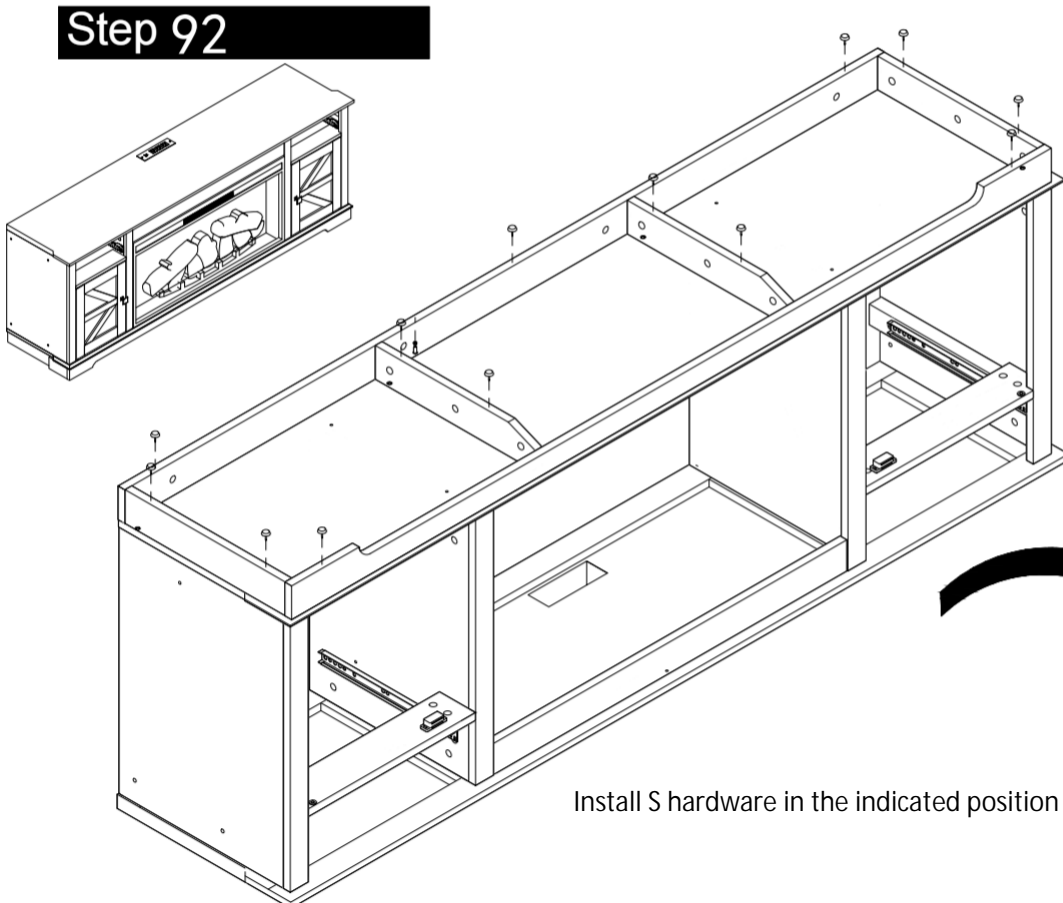
Step 91



B 
Ø15*10mm
Ø19/32*25/64"
B x12

Connect the assembled panel unit to panel 65 using hardware B and tighten.

Step 92

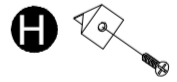
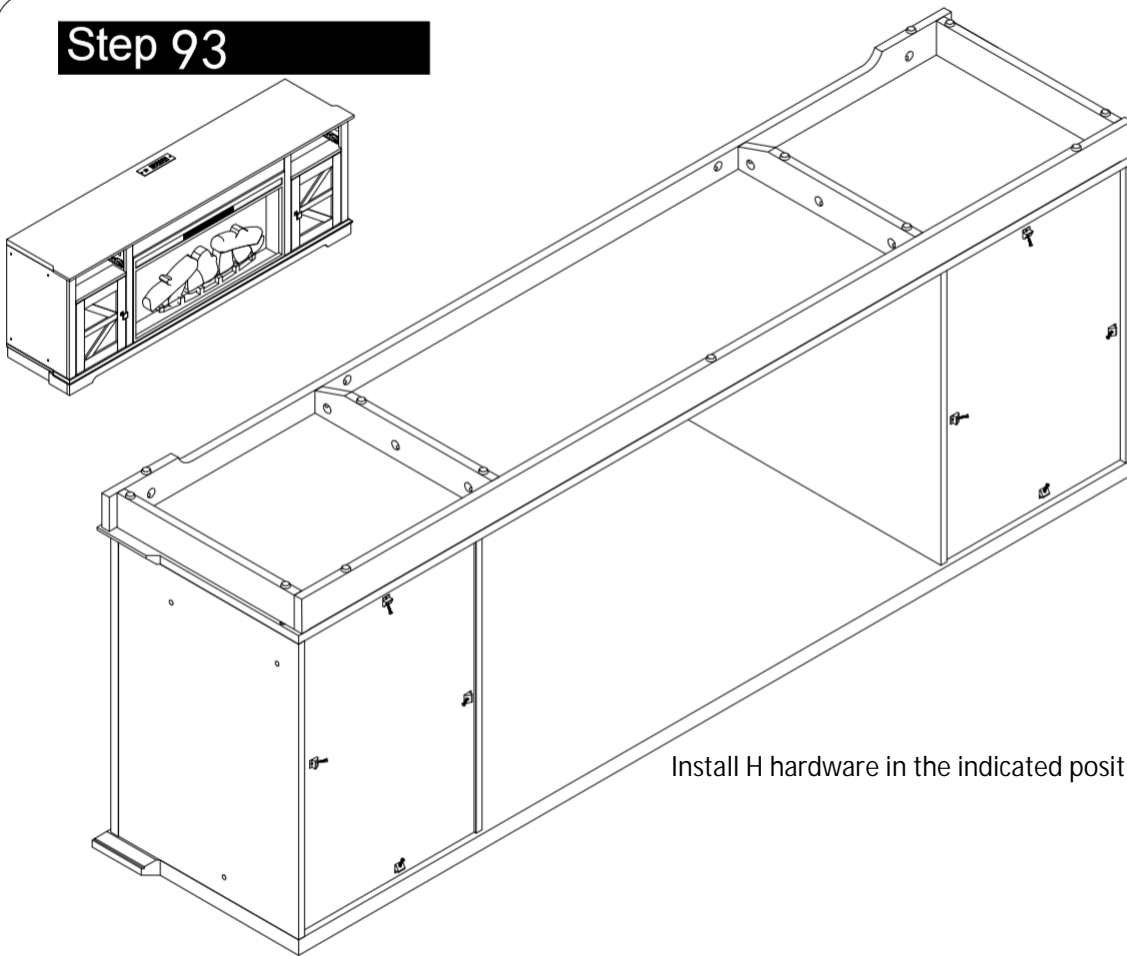


S 
S x 13

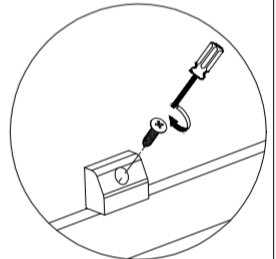
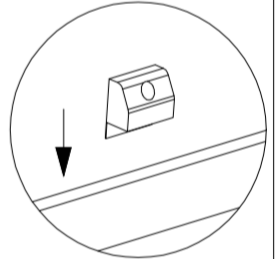
Install S hardware in the indicated position

Assembly Instructions

Step 93

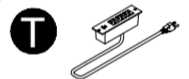
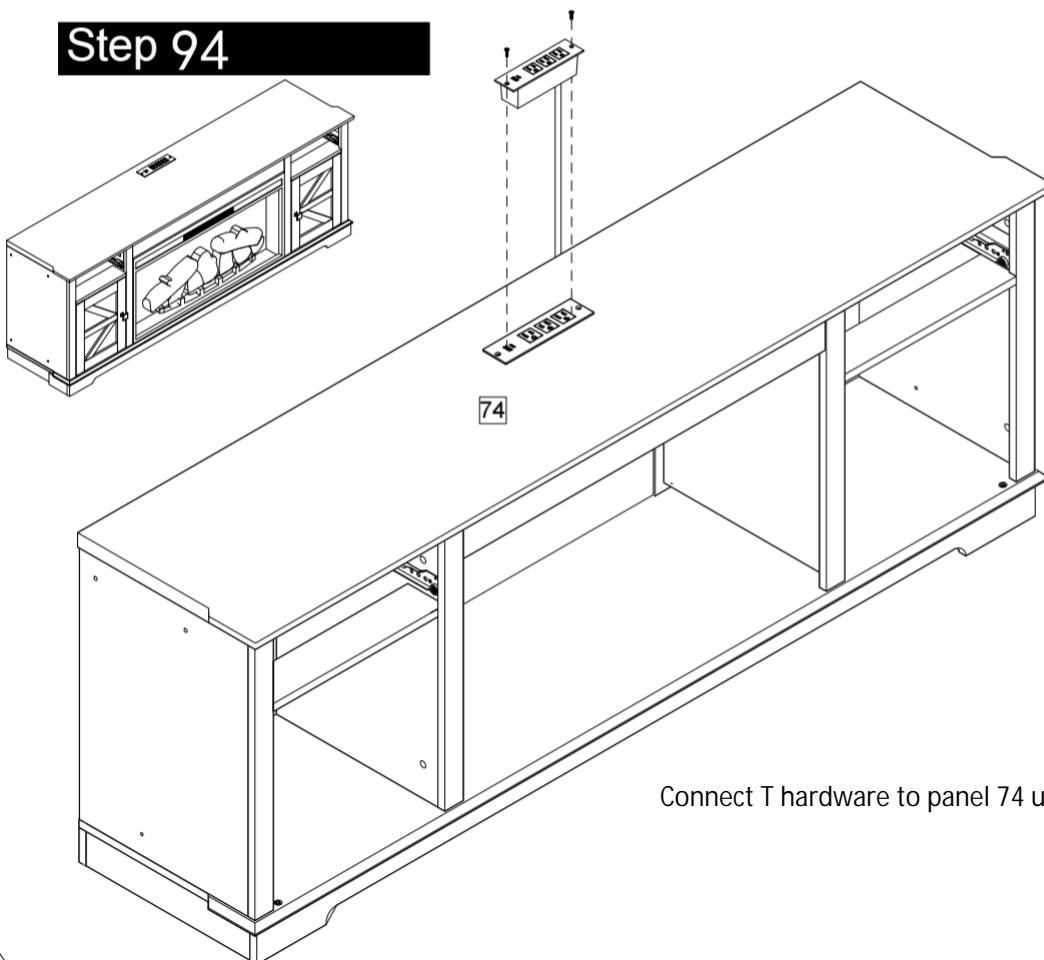


H x 14



Install H hardware in the indicated position.

Step 94



T x 1

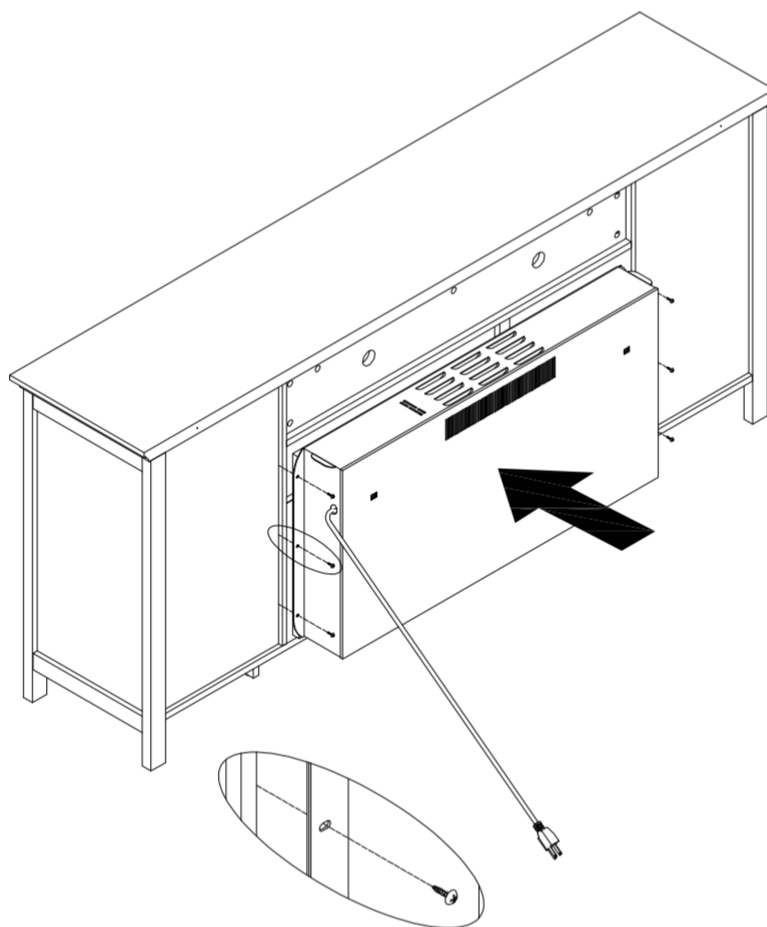
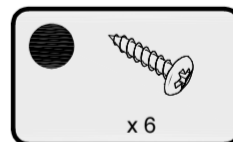


3.5"14mm
09/64"19/32"

U x 2

Connect T hardware to panel 74 using U screws and tighten.

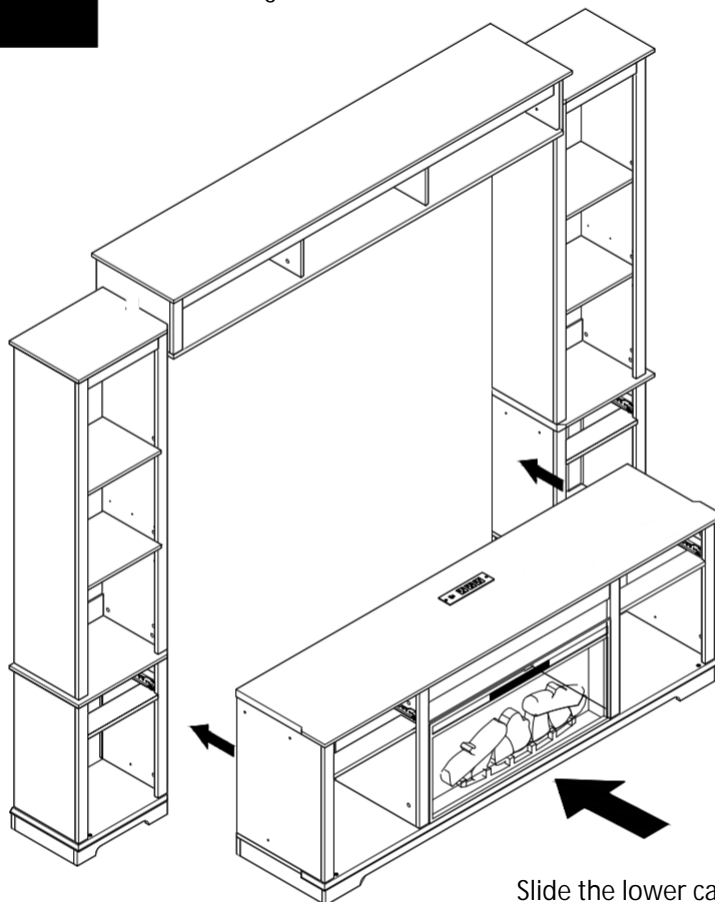
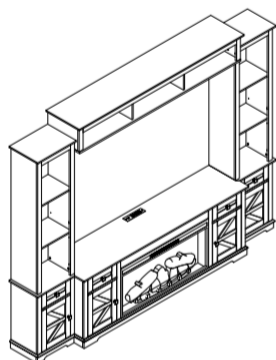
Assembly Instructions



Assembly Instructions

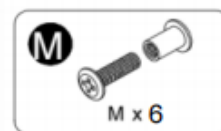
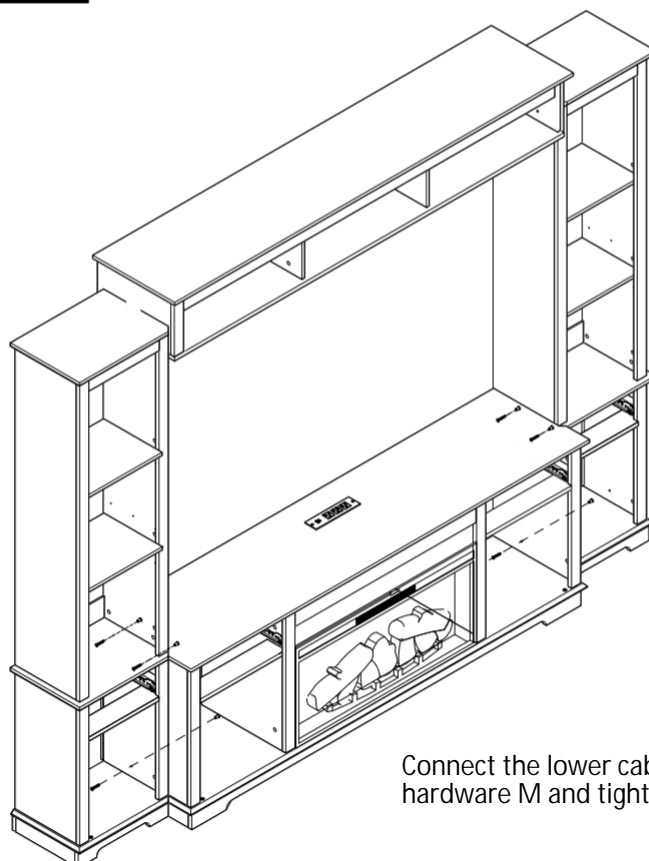
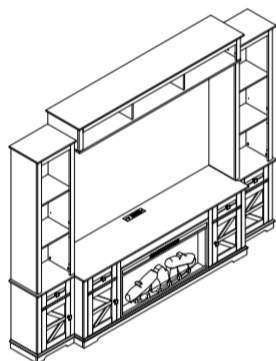
Combining the Lower Cabinet with the Full Assembly

Step 95



Slide the lower cabinet into place as shown

Step 96



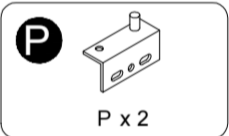
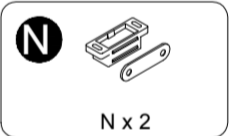
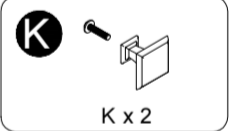
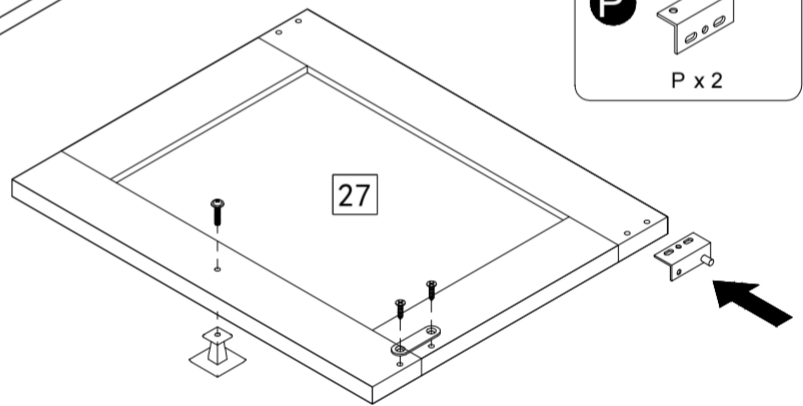
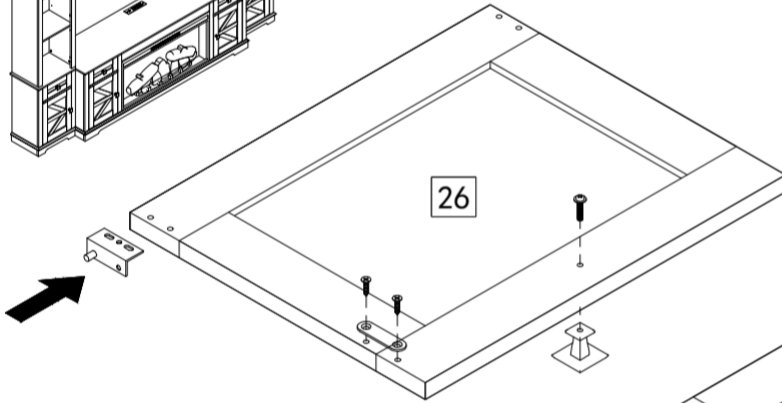
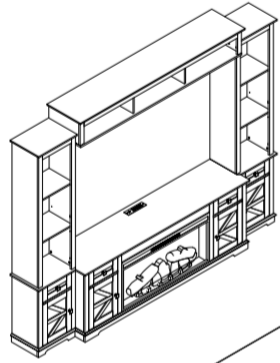
Connect the lower cabinet to the left and right cabinets using hardware M and tighten.

Assembly Instructions

Step 97

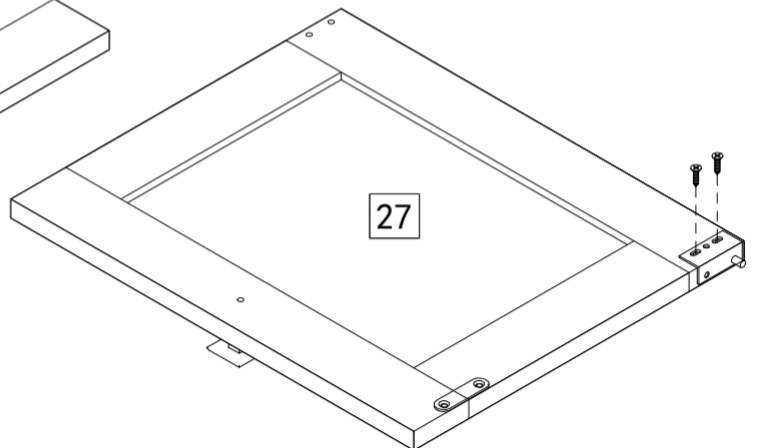
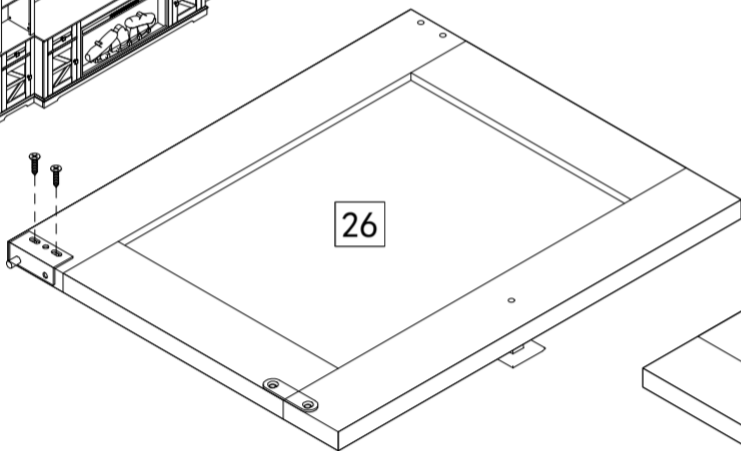
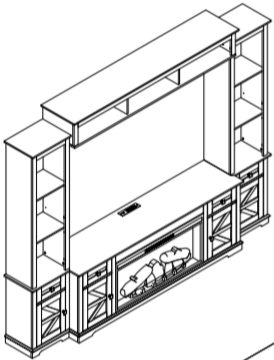
Installing the Doors (Same as TV Stand)

- Attach part K to panels 26 and 27.
- Attach part N to panels 26 and 27 using hardware F and tighten.
- Place part P in the indicated position.



Step 98

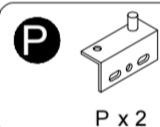
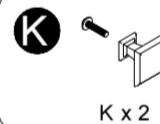
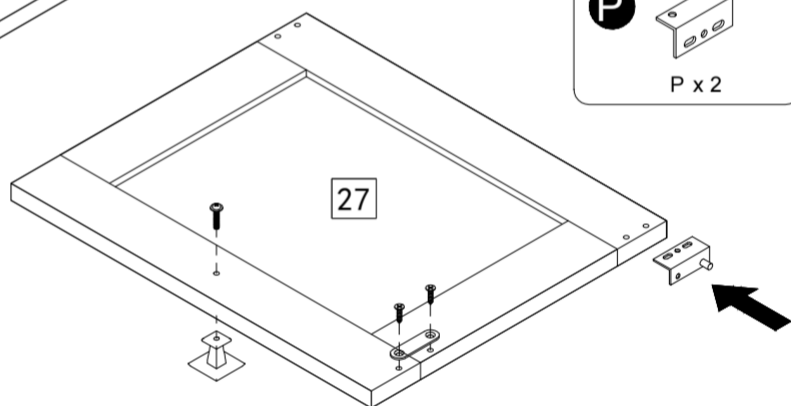
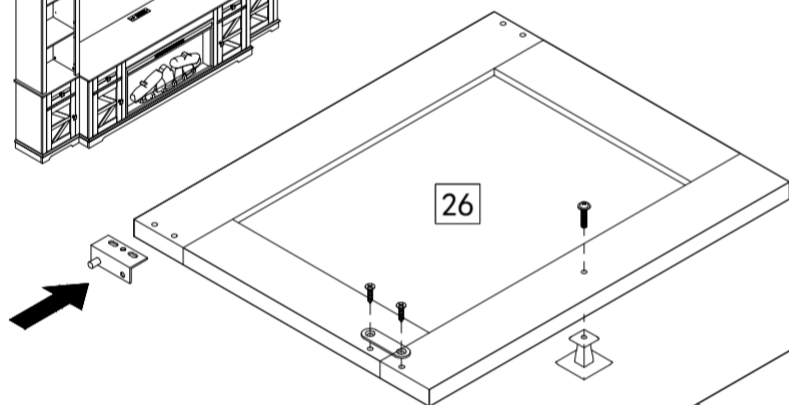
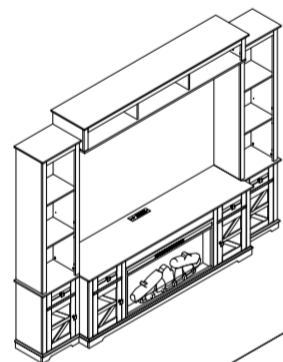
Use hardware F to connect component P to panels 26 and 27, then tighten



Assembly Instructions

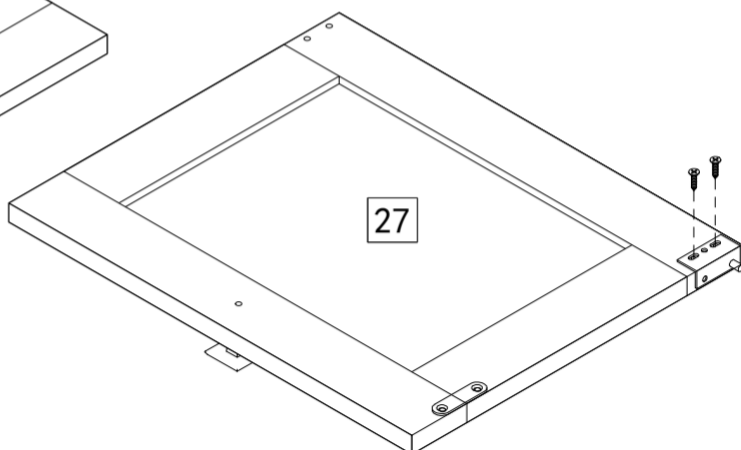
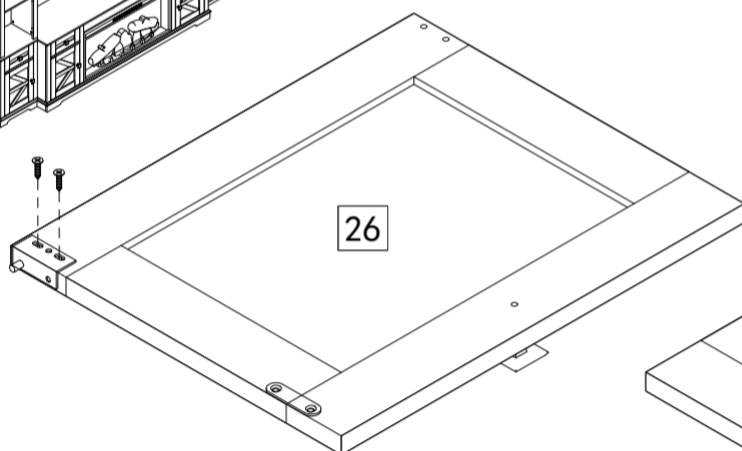
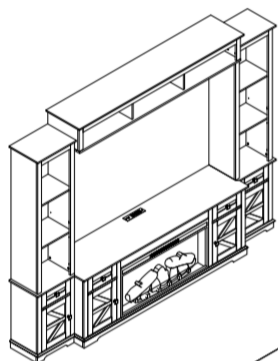
Step 99

- Use hardware K to connect panels 26 and 27.
- Use hardware F to connect component N to panels 26 and 27, then tighten.
- Place component P as shown in the diagram



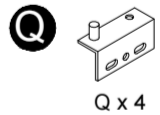
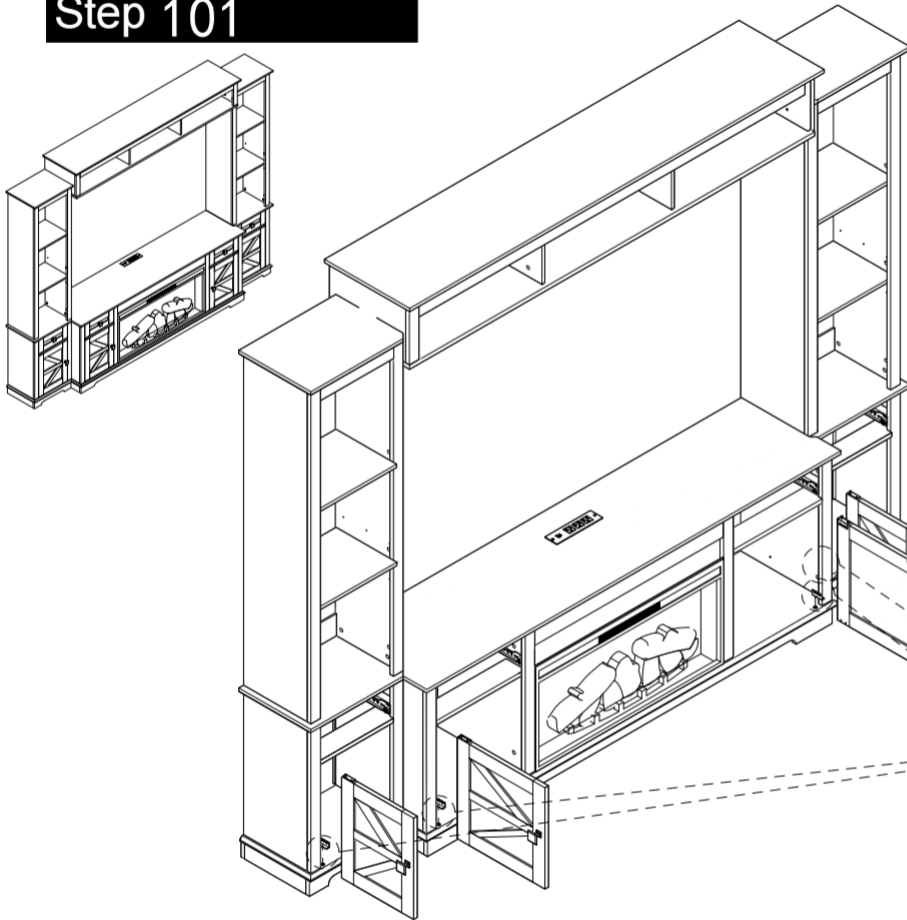
Step 100

Use hardware F to connect component P to panels 26 and 27, then tighten.

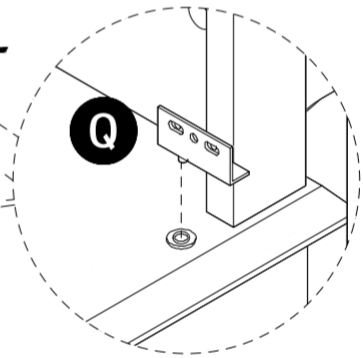


Assembly Instructions

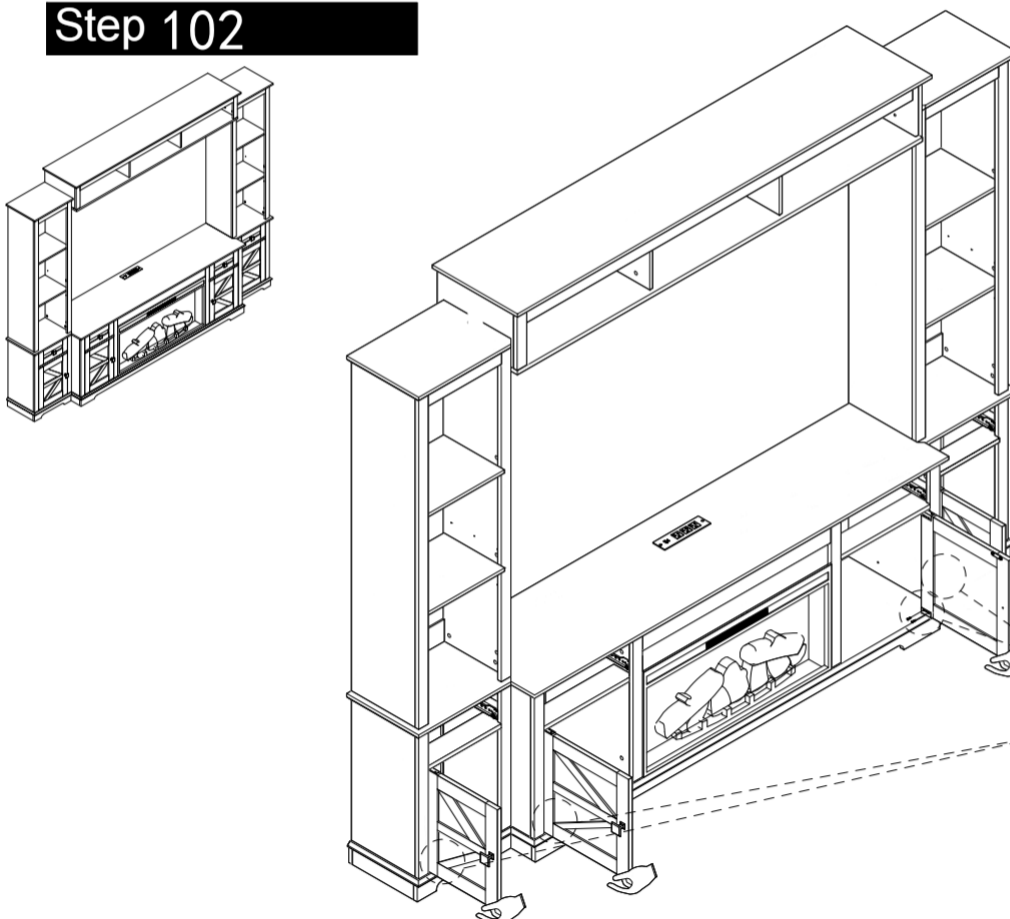
Step 101



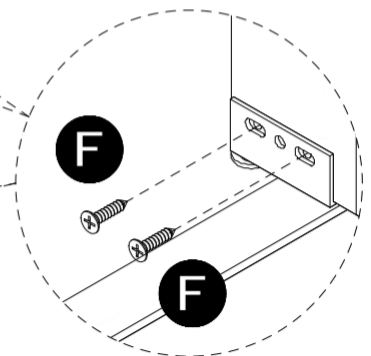
Place component Q as shown in the diagram



Step 102

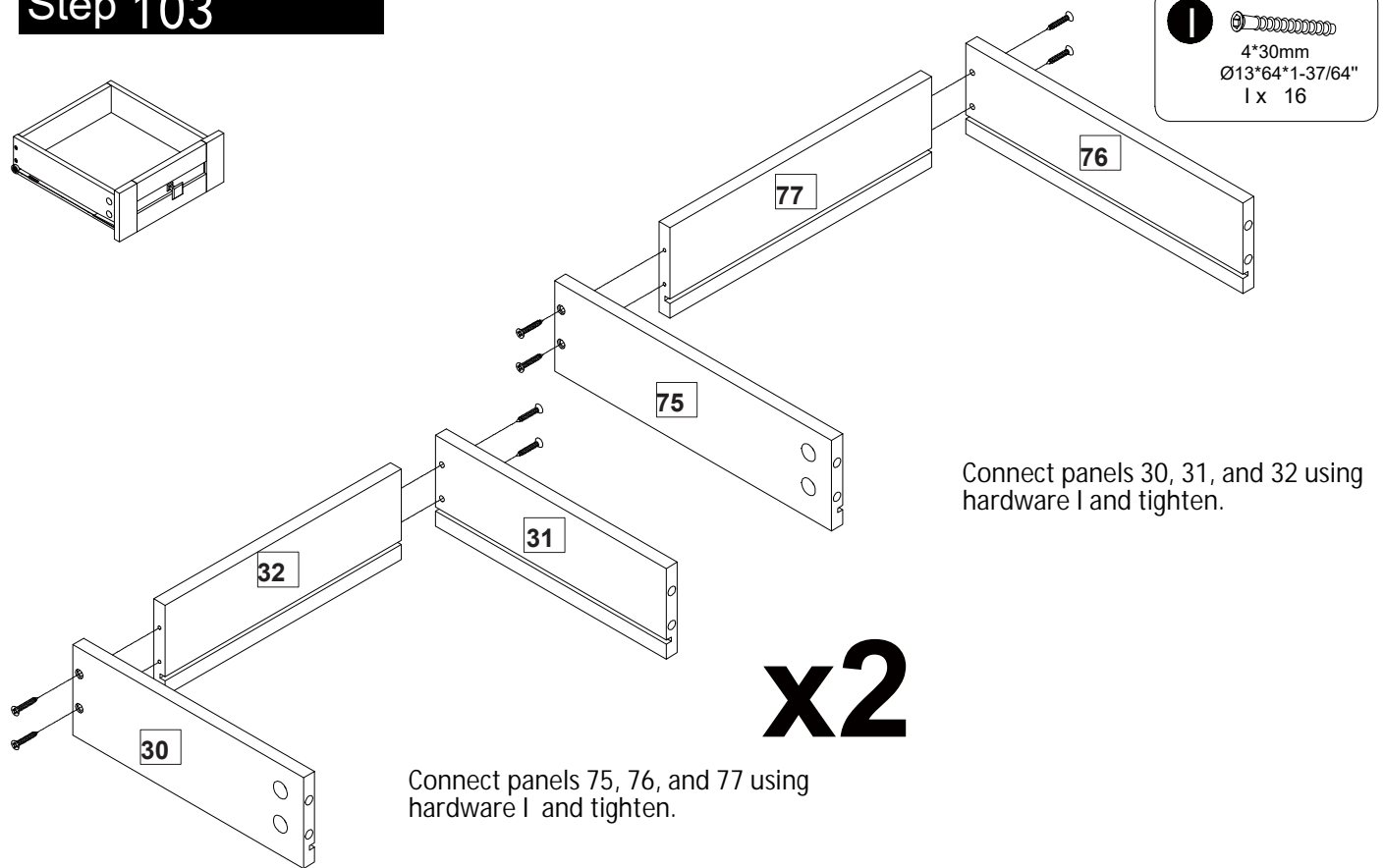
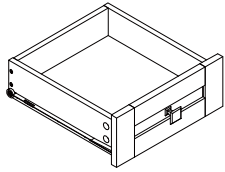


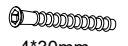
Connect part Q to the door panel using hardware F and tighten



Assembly Instructions

Step 103



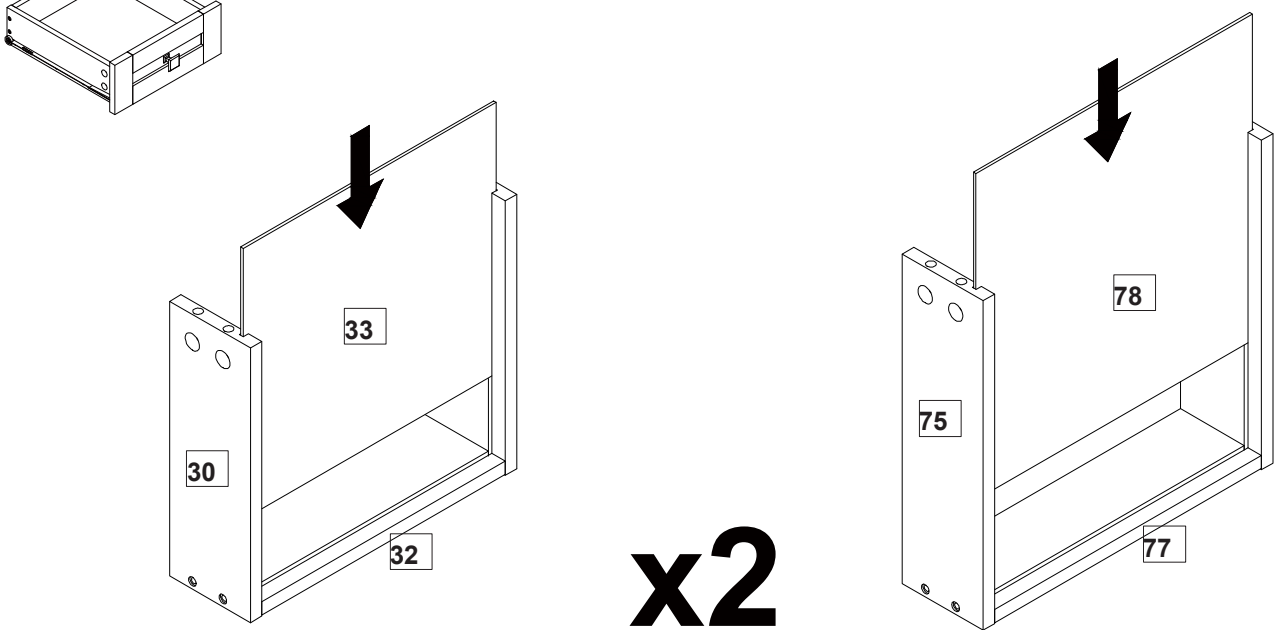
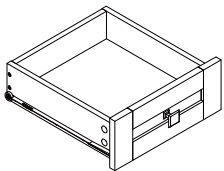
I 
4*30mm
Ø13*64*1-37/64"
1 x 16

Connect panels 30, 31, and 32 using hardware I and tighten.

Connect panels 75, 76, and 77 using hardware I and tighten.

x2

Step 104

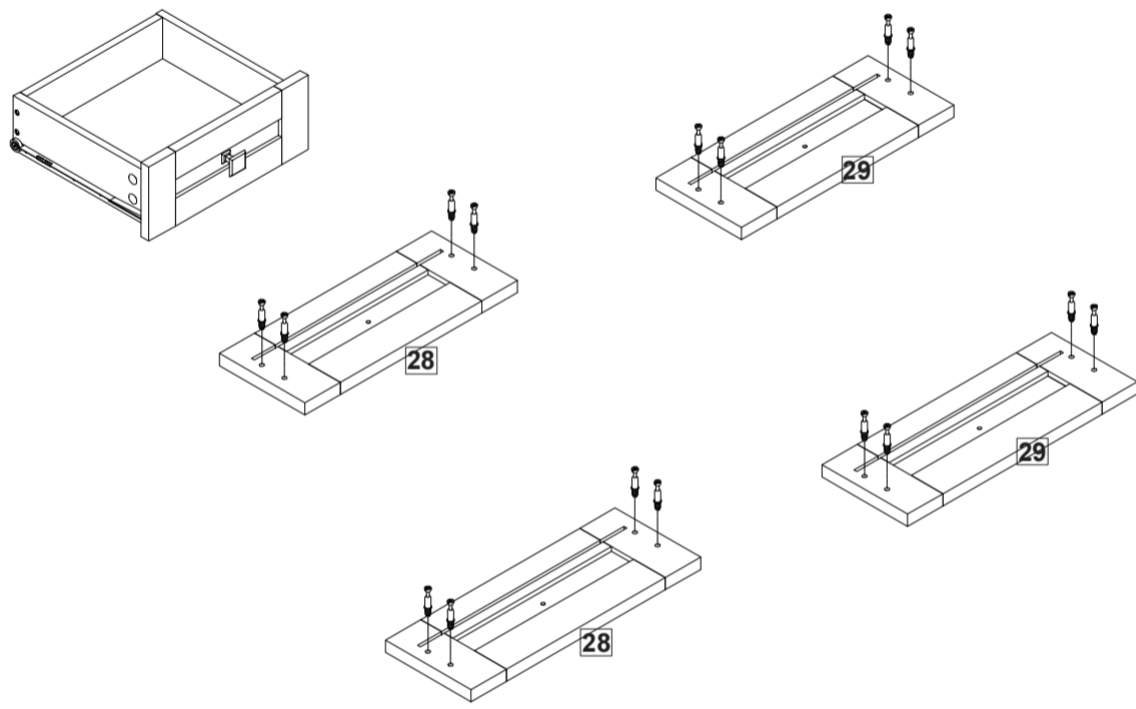


Assembly Instructions

Step 105

.Attach part A to panels 28, 29,

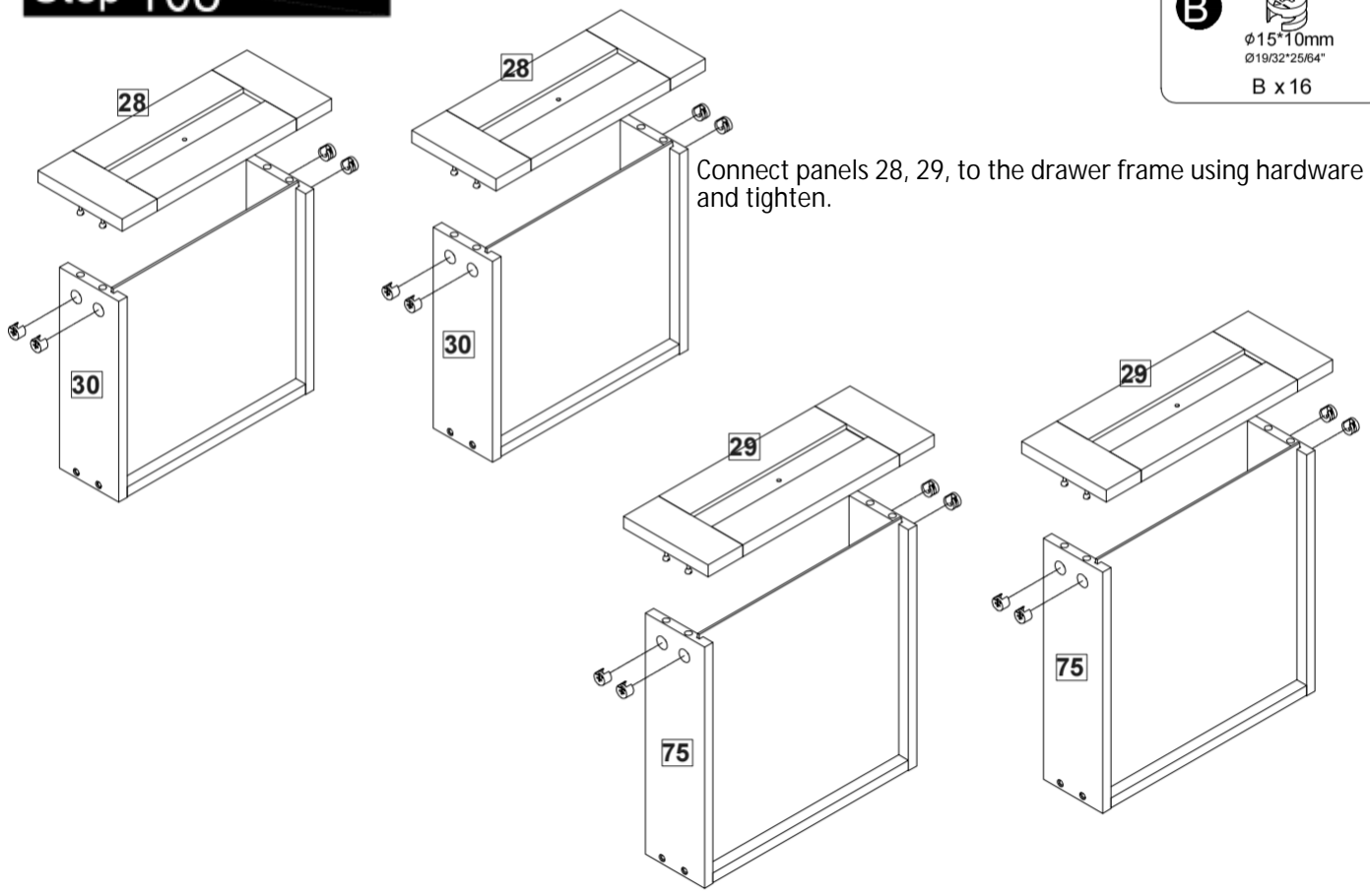
A 
6"40mm
Ø1/4"1-37/64"
A x 16



Step 106

B 
Ø15*10mm
Ø19/32"25/64"
B x 16

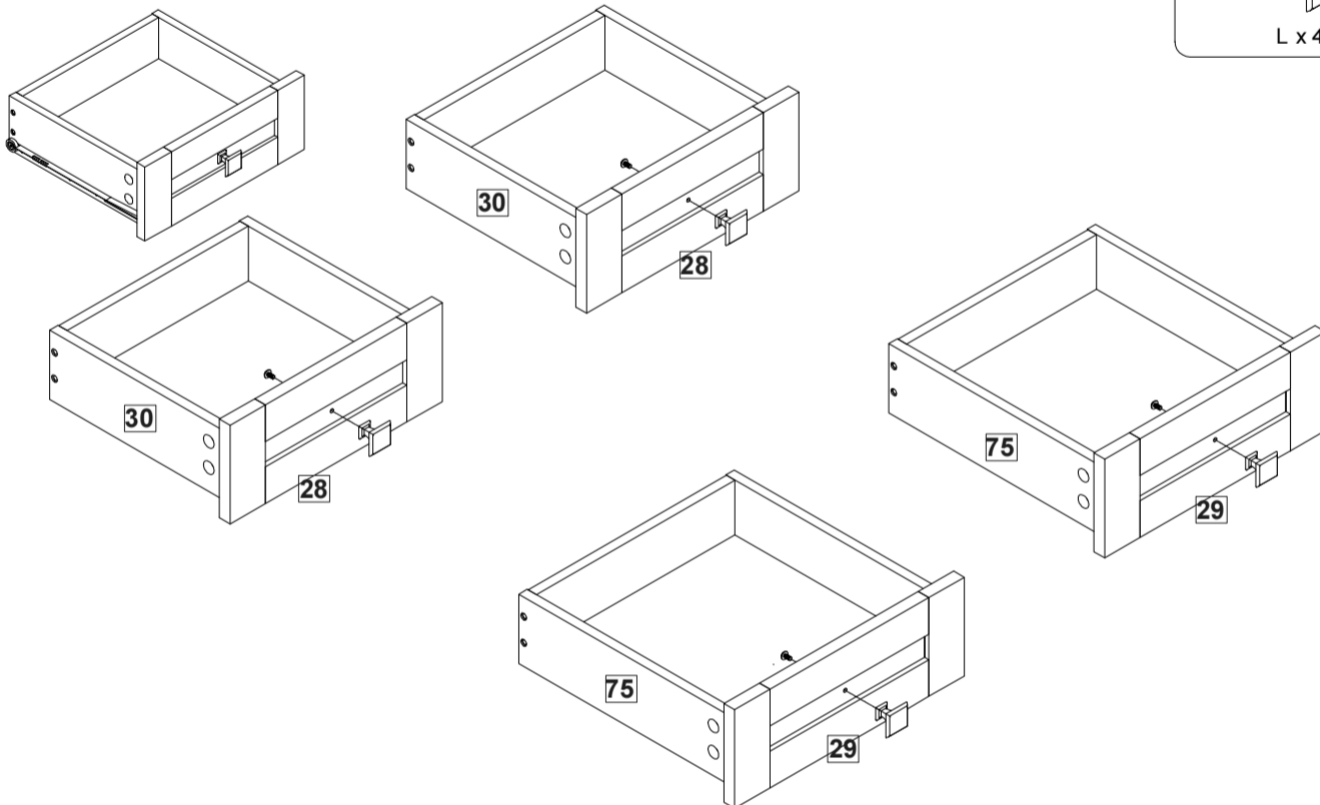
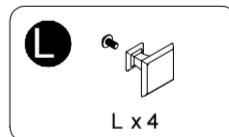
Connect panels 28, 29, to the drawer frame using hardware B and tighten.



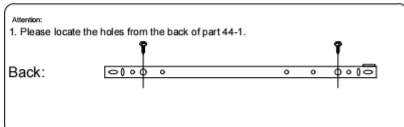
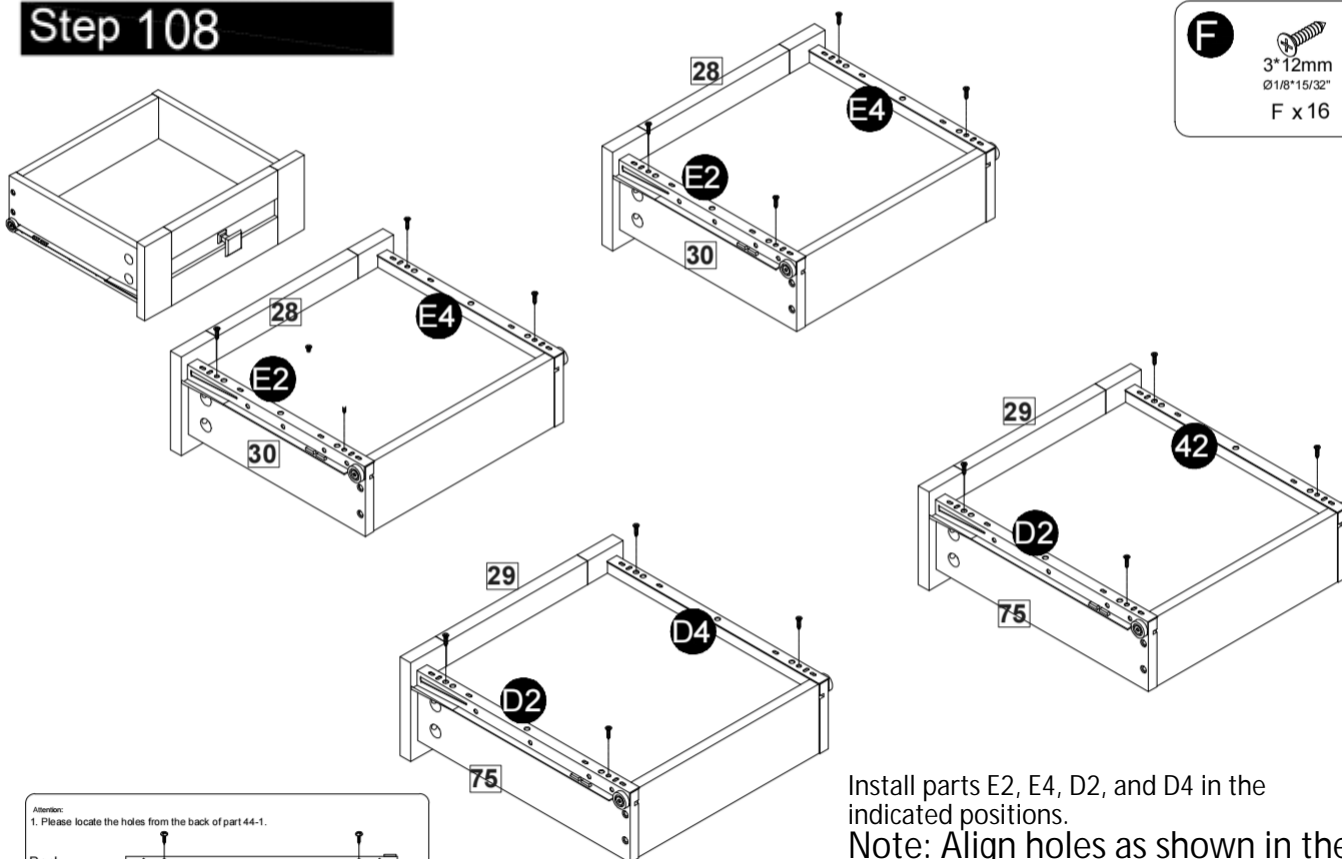
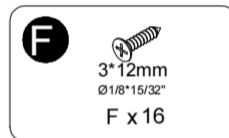
Assembly Instructions

Step 107

Attach part L to panels 28, 29



Step 108

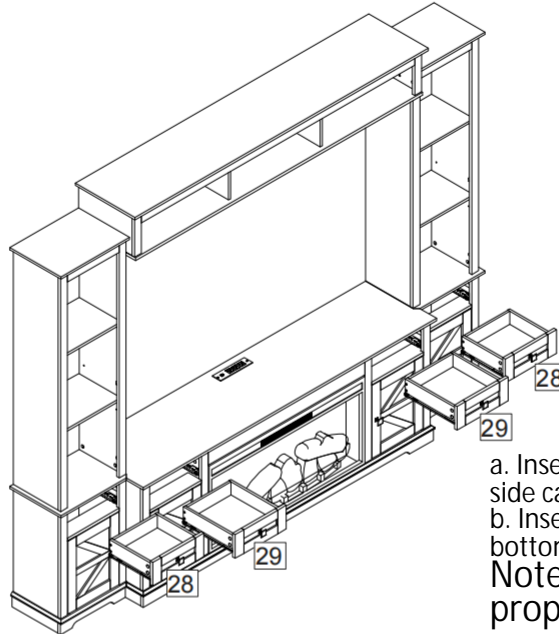


Install parts E2, E4, D2, and D4 in the indicated positions.
Note: Align holes as shown in the reference diagram.

Assembly Instructions

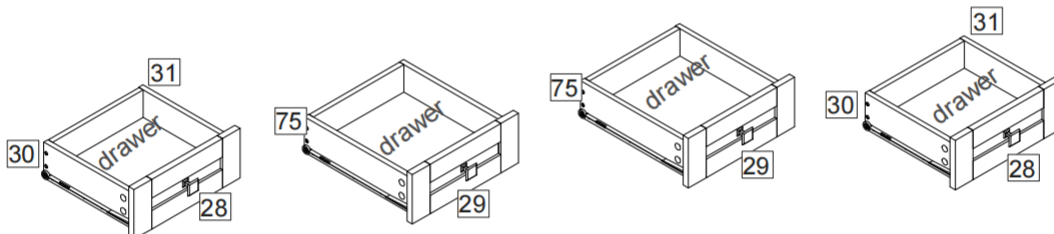
Step 109

Congratulation! You 've made to the last step! But don't be too thrilled yet, put on the drawer can be frustrating if you do it wrong. So, take your time and follow the steps below.

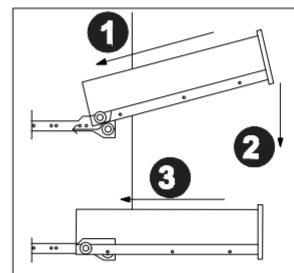
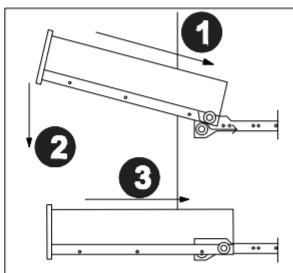


- a. Insert drawers 26 and 29 into the side cabinets.
 - b. Insert drawers 81 and 82 into the bottom cabinet.
- Note:** Follow the diagram for proper installation.

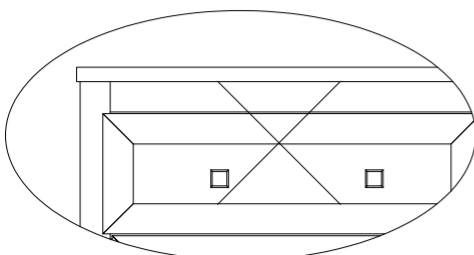
1. Make sure that you have right and left drawers sorted out first, because the drawer panel may cover the side if the right drawer is on the left side, vice versa.



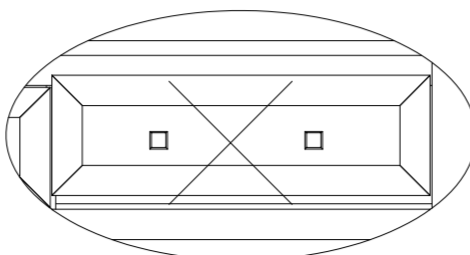
2. Please ensure that you have matched the wheels on BOTH sides of the drawer with the wheels on rails installed BEFORE push in the drawer.



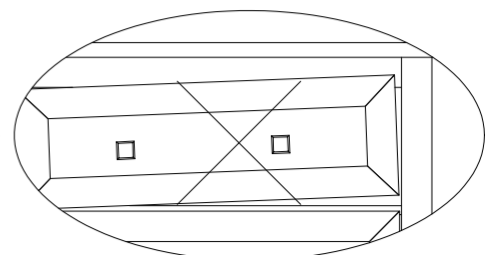
3. If the following occurs, redo the first two steps.



(drawer is on the wrong side)



(both wheels are off the rails)

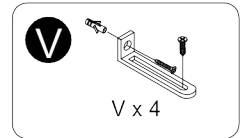


(one wheel is off the rail)

Assembly Instructions

Step 110

Install part V as shown in the diagram.



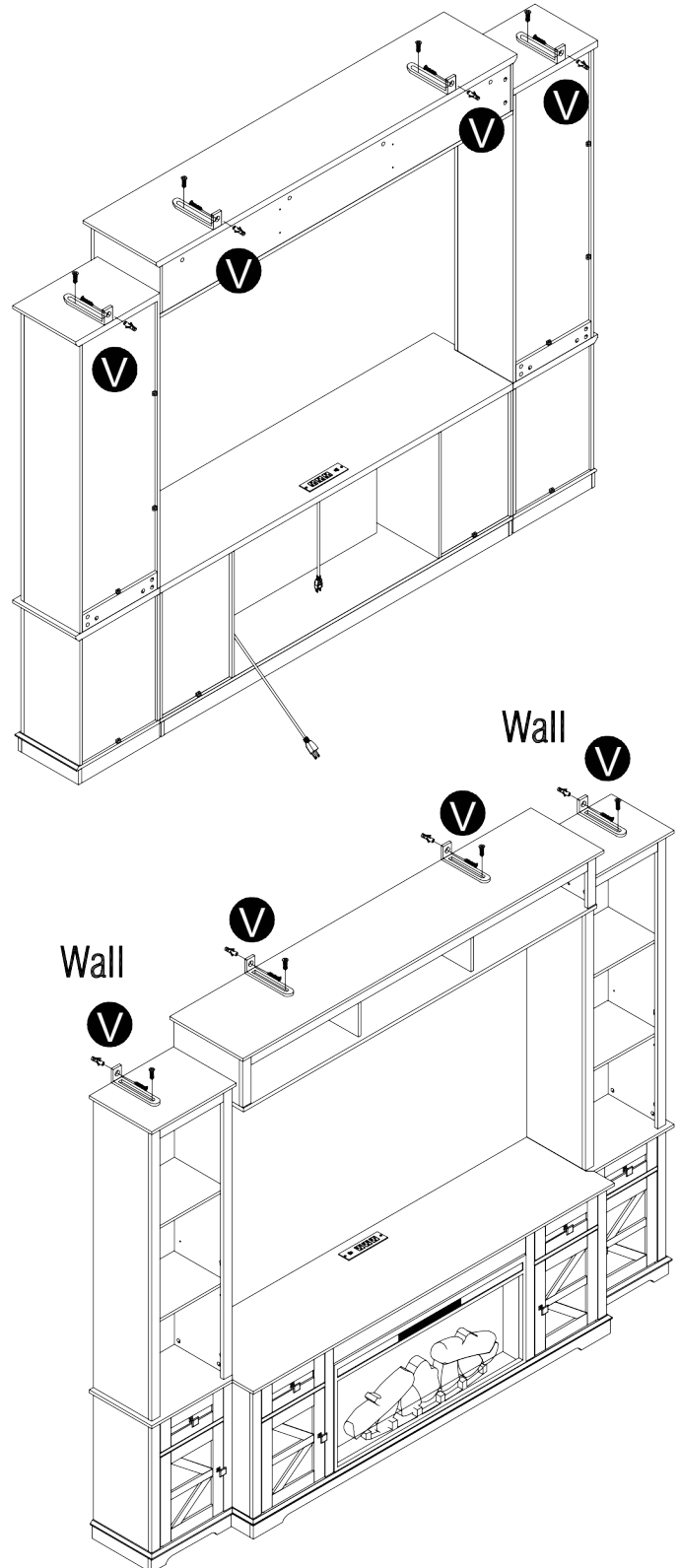
The unit is floor standing, but it is recommended that the unit is secured to the wall.

1. Move the unit into desired position.
2. Mark the wall with a suitable scribe the position of the fixing holes.

 **Warning:**
Before drilling, check wall for hidden pipes and cables.

3. Drill holes and insert 2 x wall plug
4. Attach 2 x Wall Straps to to the top of the unit using 2 x Washers and 2 x Screws
5. Secure the straps to the wall using 2 x Washers and 2 x Screws

Note: To hide the straps behind the unit, drill the holes lower than the top of the unit



Assembly is complete.



MAINTENANCE AND CARE

1. Prevent Pests

Keep wooden furniture away from damp areas to avoid pests and wood damage. Use a dehumidifier or air conditioner in humid seasons to keep the room dry.

2. Protect from Sunlight

Avoid placing furniture in direct sunlight to prevent cracking, discoloration, or fading. Use curtains or shades if sunlight is unavoidable.

3. Keep Away from Fire

Place furniture away from heat sources or open flames to avoid damage and maintain its condition.

4. Regular Care

Apply furniture oil regularly to keep the wood shiny, prevent cracks, and extend its lifespan.

5. Clean Often

Vacuum dust and debris, especially under beds, to keep the furniture clean and hygienic.

6. Stay Dry

Ensure good ventilation to prevent moisture buildup. Use a dehumidifier if needed to protect the wood.

7. Avoid Corrosive Liquids

Keep the furniture away from acidic or alkaline substances to protect its surface and durability.

8. Use a Damp Cloth

Clean with a well-wrung damp cloth to avoid water damage or swelling.

9. Limit Sun Exposure

Too much sunlight can dry and damage wood. Position furniture in shaded areas or use curtains to block UV rays.