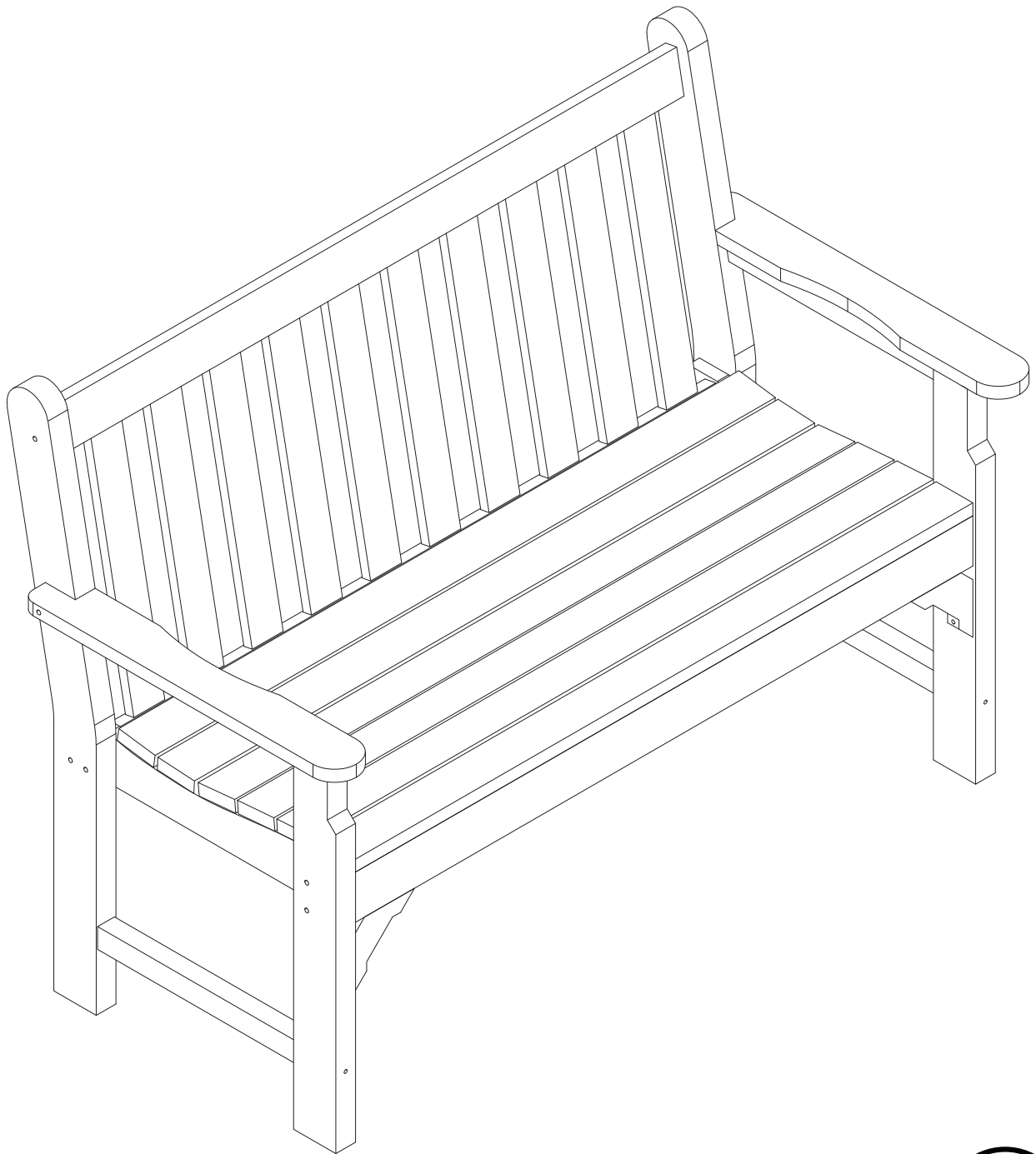


INSTRUCTION MANUAL



2 PERSON
ASSEMBLY



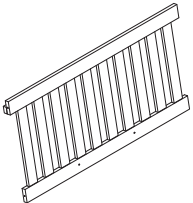
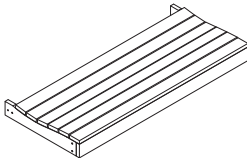

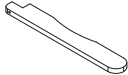



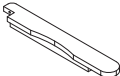

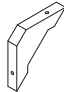
UP TO 30 MIN.
ASSEMBLY

PRE-ASSEMBLY PREPARATION

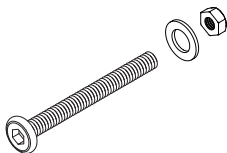
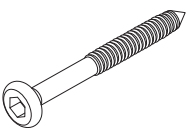
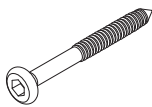
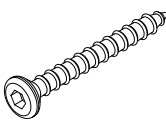
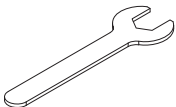
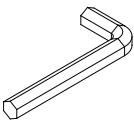
WARNING! DO NOT LET CHILDREN PLAY IN OR AROUND THE UNIT DUE TO THE POSSIBLE RISK OF FINGER ENTRAPMENT

- Please read through this instruction before beginning assembly.
- Two adults assembly is recommended.
- Clear out the space for assembly and lay out all parts base on Parts List, extra room will allow you to easily determine if all the pieces are present.
- Save all packing materials until assembly is complete to avoid accidentally discarding smaller parts or hardware.
- Keep small parts and pieces away from children until fully assembly.
- **Do not fully tighten the bolts until all have been inserted and hand tightened.**
- Please check for any loose screws and tighten them before use.

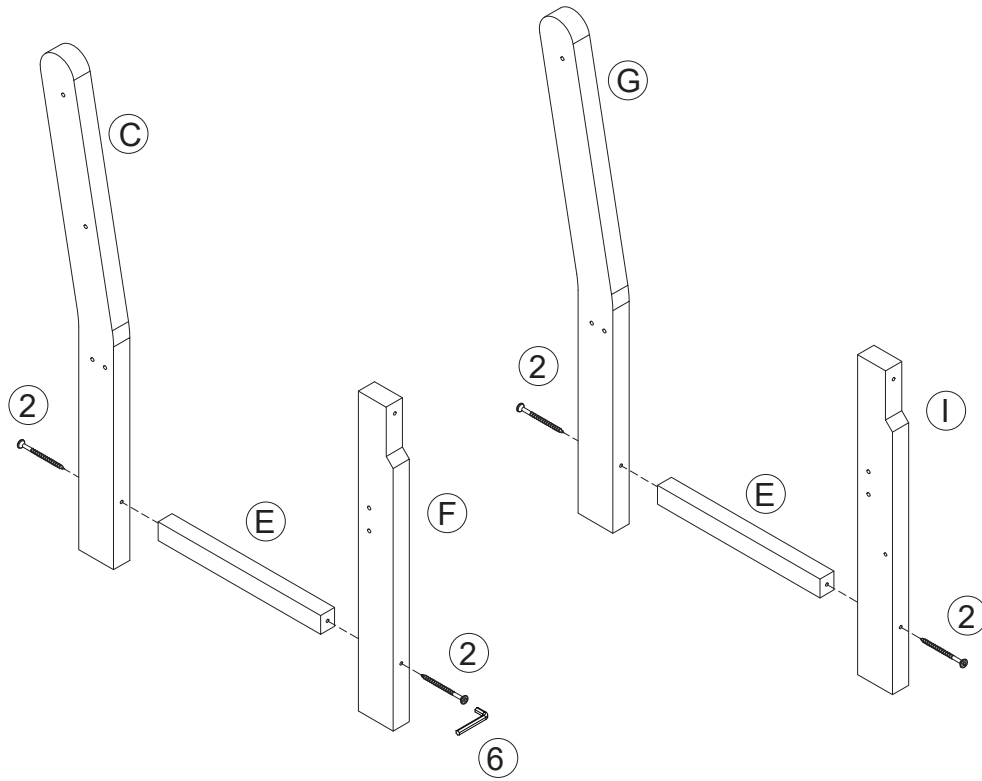
PANEL AND FITTINGS IDENTIFICATION

<p>(A)</p>  <p>Qty: 1</p>	<p>(B)</p>  <p>Qty: 1</p>	<p>(C)</p>  <p>Qty: 1</p>	<p>(D)</p>  <p>Qty: 1</p>	<p>(E)</p>  <p>Qty: 2</p>
<p>(F)</p>  <p>Qty: 1</p>	<p>(G)</p>  <p>Qty: 1</p>	<p>(H)</p>  <p>Qty: 1</p>	<p>(I)</p>  <p>Qty: 1</p>	<p>(J)</p>  <p>Qty: 2</p>

HARDWARE LIST

<p>75mm BOLT (1)</p>  <p>Qty: 6</p>	<p>110mm SCREW (2)</p>  <p>Qty: 6</p>	<p>95mm SCREW (3)</p>  <p>Qty: 4</p>	<p>50mm SCREW (4)</p>  <p>Qty: 8</p>
<p>WRENCH (5)</p>  <p>Qty: 1</p>	<p>Open End Wrench (6)</p>  <p>Qty: 1</p>		

Step 1



Step 2

