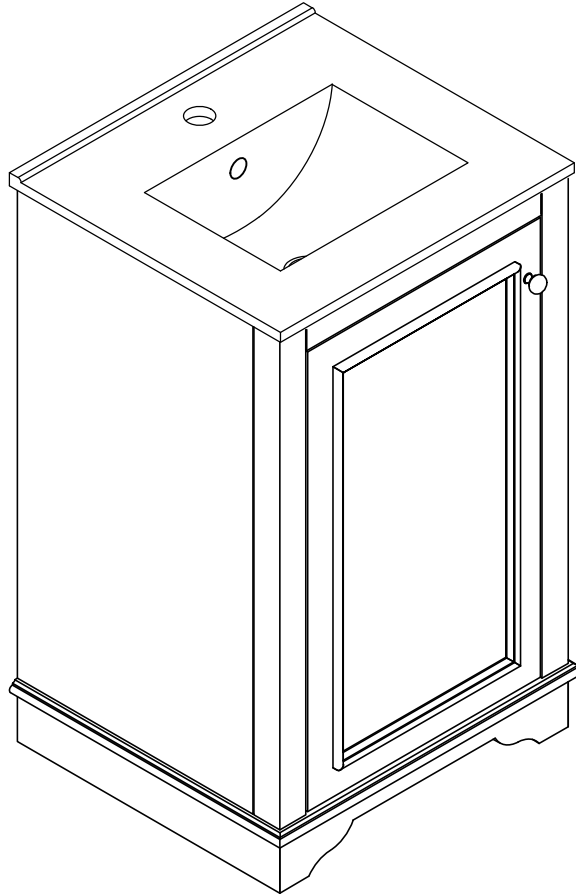


ASSEMBLY INSTRUCTION


20INCH BATH VANTINY (COMBO)

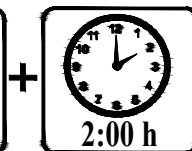
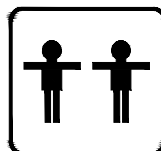
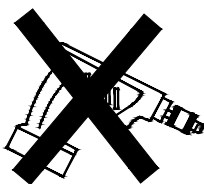


Thank you for purchasing this quality product. Be sure to check all pack material carefully for small parts which may have come loose inside the carton during shipment. Separate, identify and count all parts and hardware.

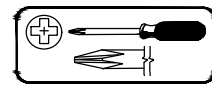
Compare with the parts list to be sure all parts are present.

"DO NOT TIGHTEN SCREWS UNTIL COMPLETELY ASSEMBLED"

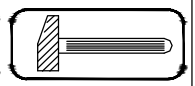

*Use of power tool to assemble this product will invalidate any claim and damage this product making unsafe !!!
*Please assemble on a clean soft surface to avoid damage.



Tools Required



(Not included)



(Not included)

IMPORTANT:

PLEASE READ INSTRUCTION BEFORE STARTING THE ASSEMBLY

PLEASE DO NOT RETURN TO STORE



**Please do not return this product to the retailer!!
We are able to assist you in ANY way**

If you find that you have any trouble with assembly or missing or damaged parts please contact the seller.

1. Note: This is not a clothing storage cabinet and it is not recommended to use it as a clothing storage cabinet.
2. All cabinets come with TRD, stainless steel or our "L-Bracket "when shipped.

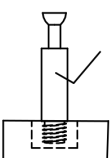
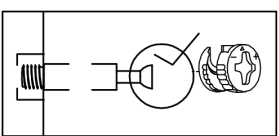
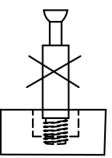
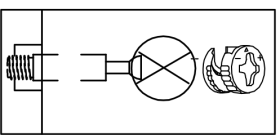
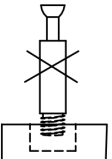
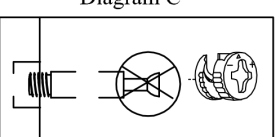
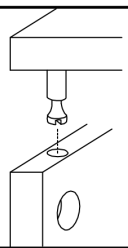
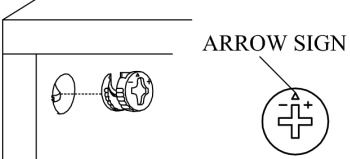
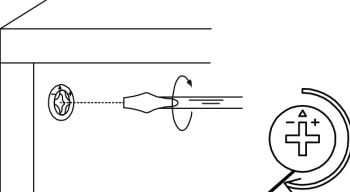
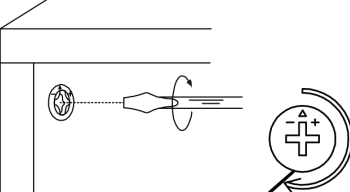

Before Installation

Important – Please read these instructions fully before starting assembly

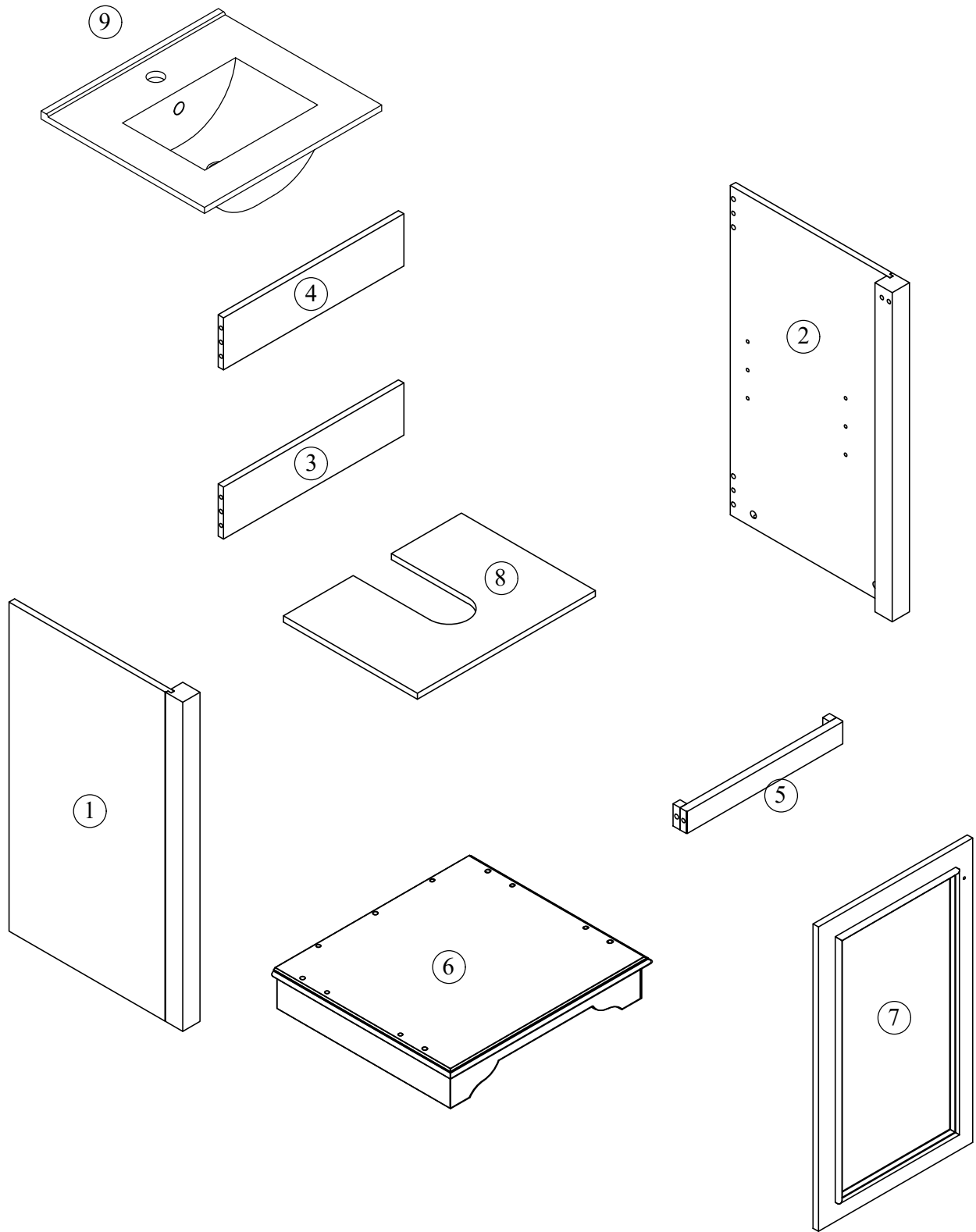
Thank you for purchasing this quality product. Be sure to check all packing materials carefully for small parts, which may have come loose inside the carton during shipment. Identify and count all items according to the PARTS LIST and/or HARDWARE LIST shown below. Check you have all the components and tools listed on the following pages.

- We recommend that you assemble this product with the assistance of another person; this will make the assembly easier, and will help eliminate damage to the product or injury to persons during assembly.
- Please do not over tighten screws or bolts until the assembly is completed.
- Keep children and animal away from the work area, small parts could choke if swallowed.
- Please put all parts on a non-abrasive floor before assembly, and follow the assembly steps to assemble your newly purchased product correctly and efficiently.

Cam Lock Assembly Instructions

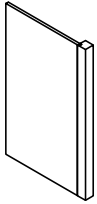
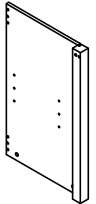
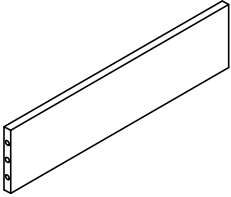
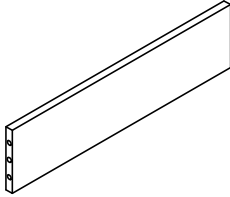
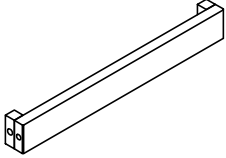
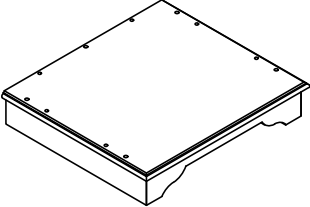
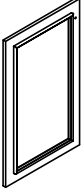
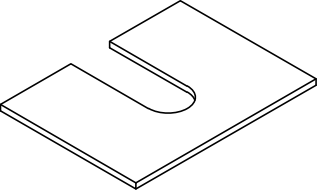
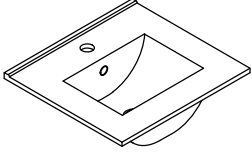
		Diagram A Insert Cam Bolt into hole as shown in diagram A.
		Diagram B Make sure not to insert the Cam Bolt: Too deep as shown in figure B as this will cause the Cam Lock to be misaligned and unable to interlock properly.
		Diagram C Also avoid inserting the Cam Bolt too close to the surface of the hole as shown in figure C, as this will cause the Cam Lock to be too loose, and not interlock properly.
		Connect the panels together.
	ARROW SIGN 	Insert the Cam Lock so the side opening fits over the head of the Cam Bolt.
		To tighten the Cam Lock, turn it clockwise on half a turn with a flat screwdriver. <i>*Do not use an automatic screwdriver as it may bend or break if too much power is imposed.</i>

Detail View - CABINET






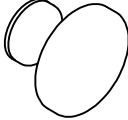

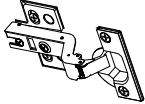
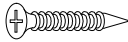

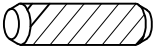
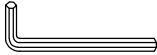
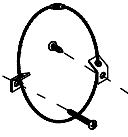


Identifying the Hardware -Identify the hardware using the illustrations below.

Part List

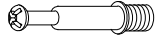
<p>1</p>  <p>Side Panel (L) - 1pc</p>	<p>2</p>  <p>Side Panel (R) - 1pc</p>
<p>3</p>  <p>Bottom Panel Rear - 1pc</p>	<p>4</p>  <p>Top Panel Rear - 1pc</p>
<p>5</p>  <p>Top Bar Front - 1pc</p>	<p>6</p>  <p>Bottom Frame - 1pc</p>
<p>7</p>  <p>Door - 1pc</p>	<p>8</p>  <p>Adjustable Shelf - 1pc</p>
<p>9</p>  <p>Sink - 1pc</p>	

Hardware List

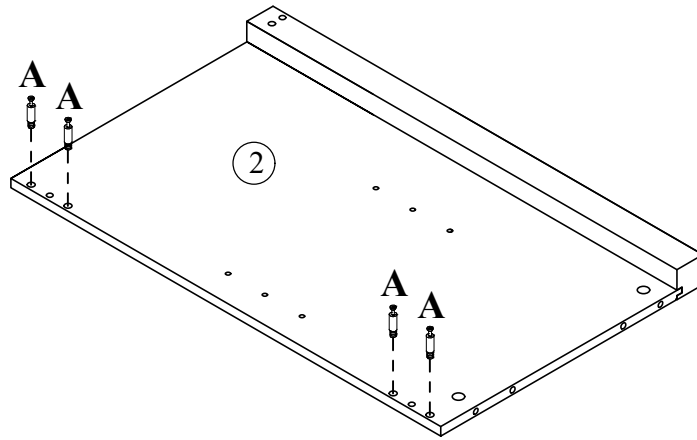
<p>A</p>  <p>ø6x35mm</p>	<p>B</p>  <p>ø14.5x12mm</p>	<p>C</p>  <p>ø13x1/4"x30mm</p>
<p>Three in one bolts - 13pcs Three in one lock - 13pcs Hex-Head bolts - 2pcs</p>		
<p>D</p>  <p>ø1/4"x16x1mm</p>	<p>E</p>  <p>ø1/4"x10x1.2mm</p>	<p>F</p> 
<p>Flat Washer - 2pcs Lock Washer - 2pcs Handle - 1pc</p>		
<p>G</p>  <p>ø5/32"x20mm</p>	<p>H</p> 	<p>I</p>  <p>ø7/ø3.5"x15mm</p>
<p>Handle Screws - 1pc Damping hinge - 2pcs Flat head screw - 12pcs</p>		
<p>J</p> 	<p>K</p>  <p>ø8x30mm</p>	<p>L</p>  <p>4mm</p>
<p>Laminate pad - 4pcs Wood dowel - 12pcs Allen key - 1pc</p>		
<p>M</p>  <p>Anti fall hardware (2sets)</p>		

STEP: 1

A

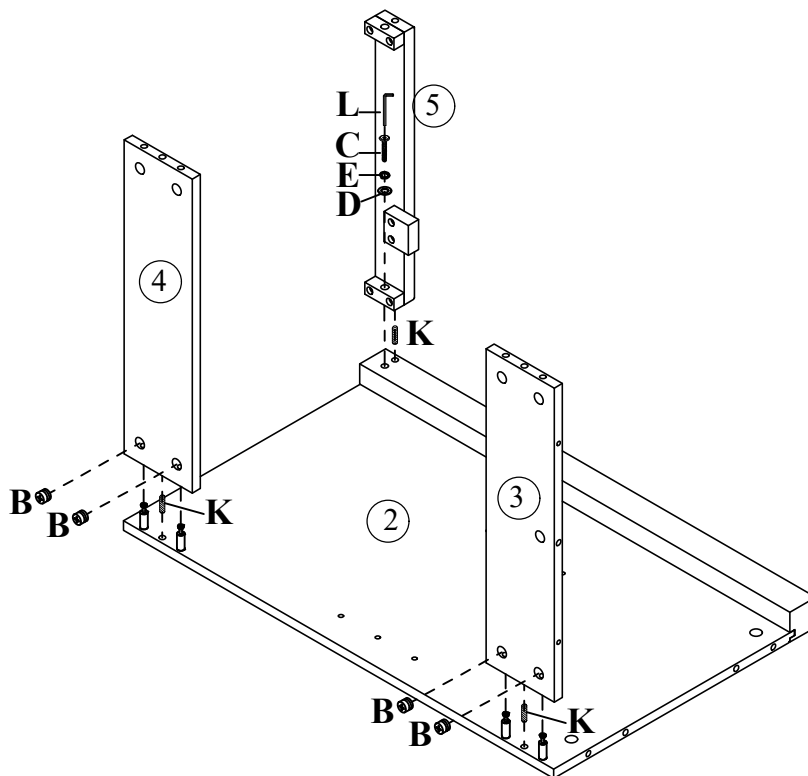


4PCS


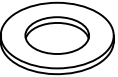


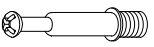




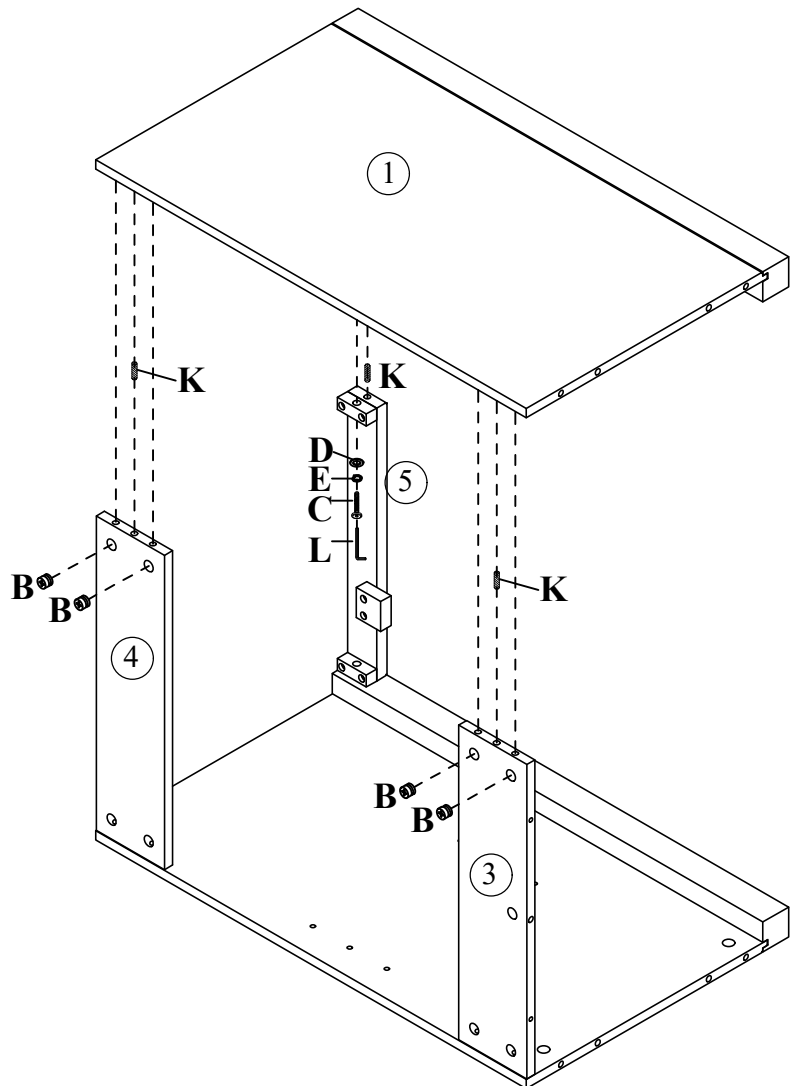
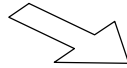
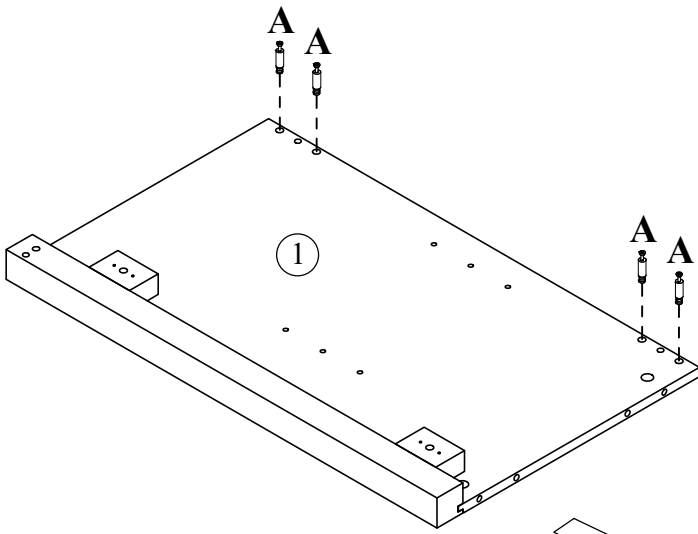
STEP: 2

C	D	E	B	K	L
1PC	1PC	1PC	4PCS	3PCS	1PC

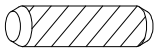



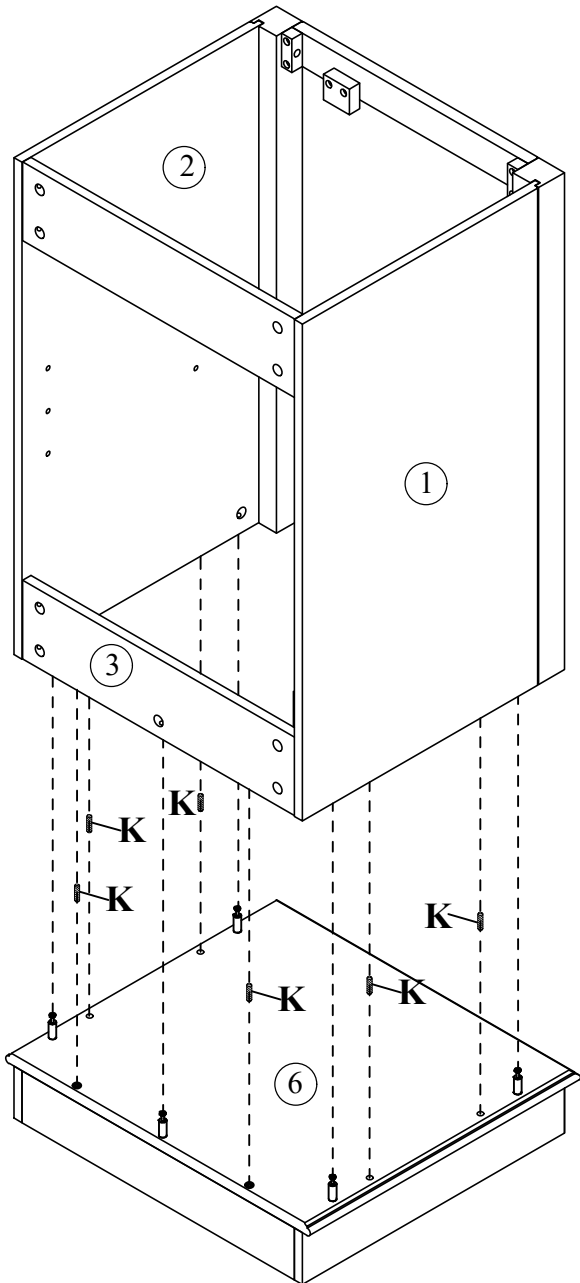
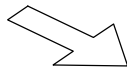
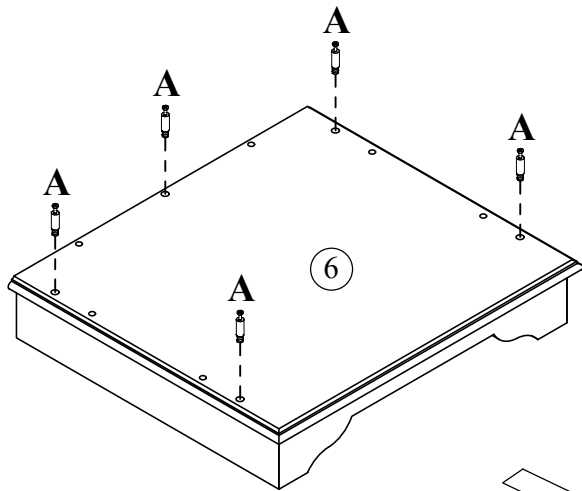
STEP: 3

C 	D 	E 	L 
1PC	1PC	1PC	1PC
A 	B 	K 	
4PCS	4PCS	3PCS	

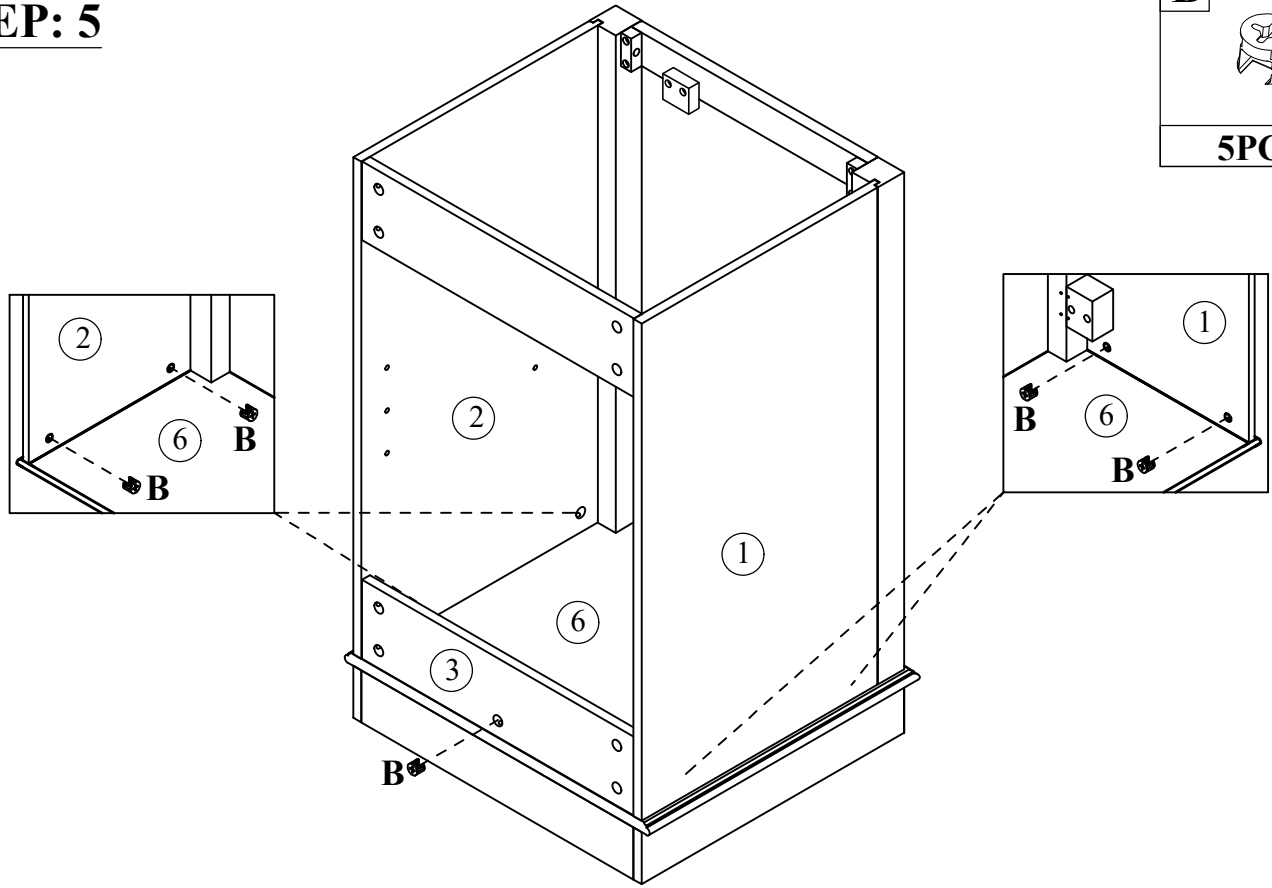



STEP: 4

K		A	
6PCS		5PCS	


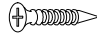
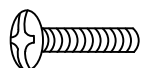



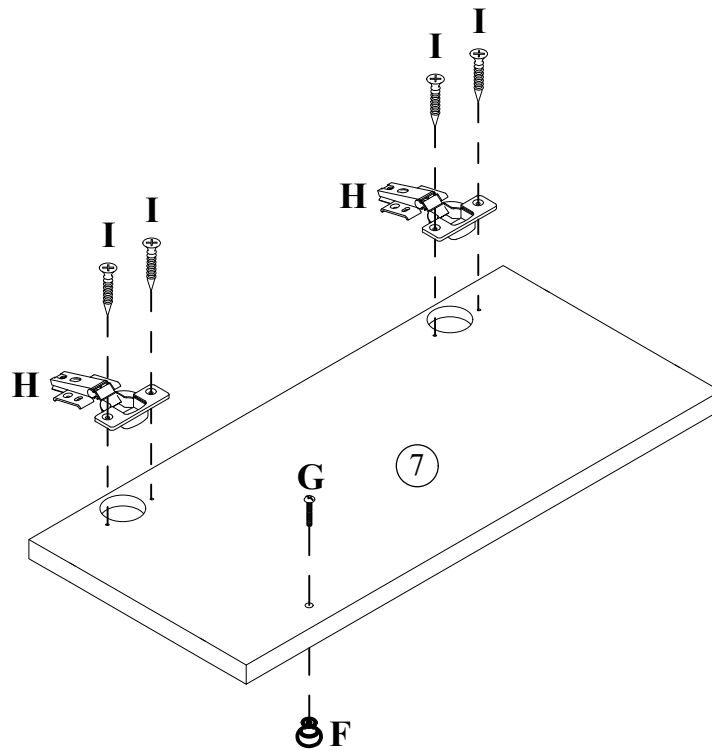
STEP: 5



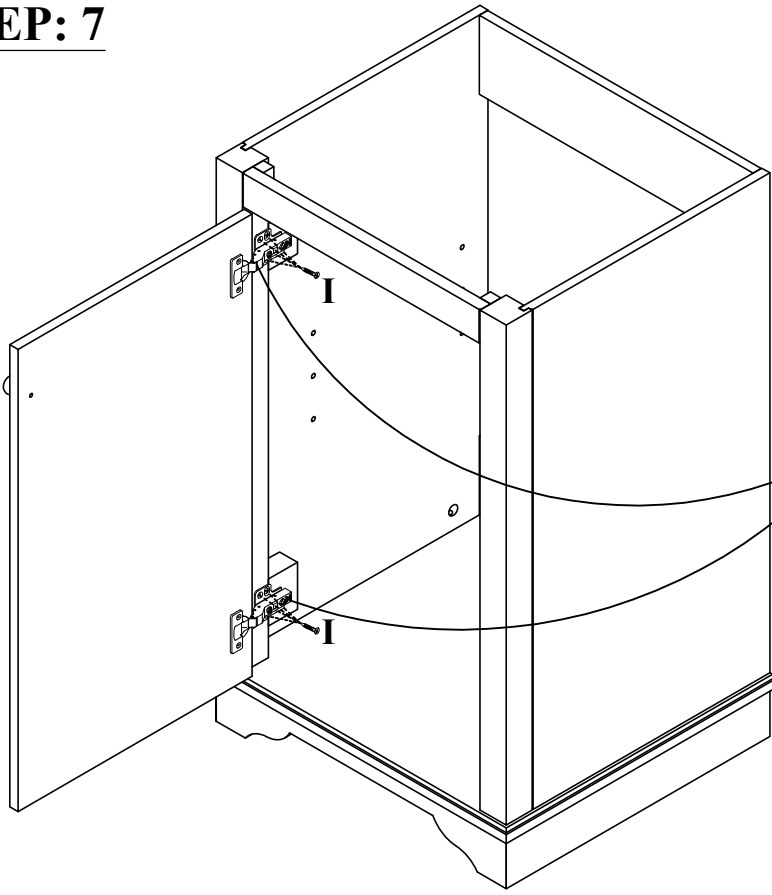
B	
5PCS	

STEP: 6

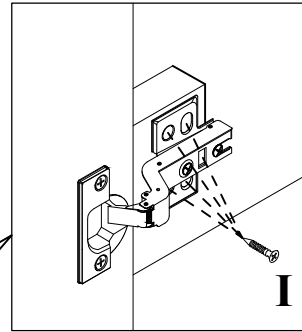
H		I		G		F	
2PCS		4PCS		1PC		1PC	



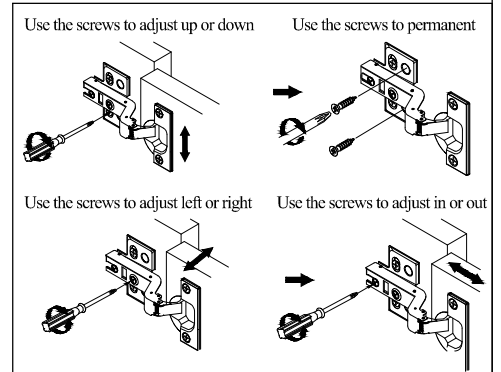
STEP: 7



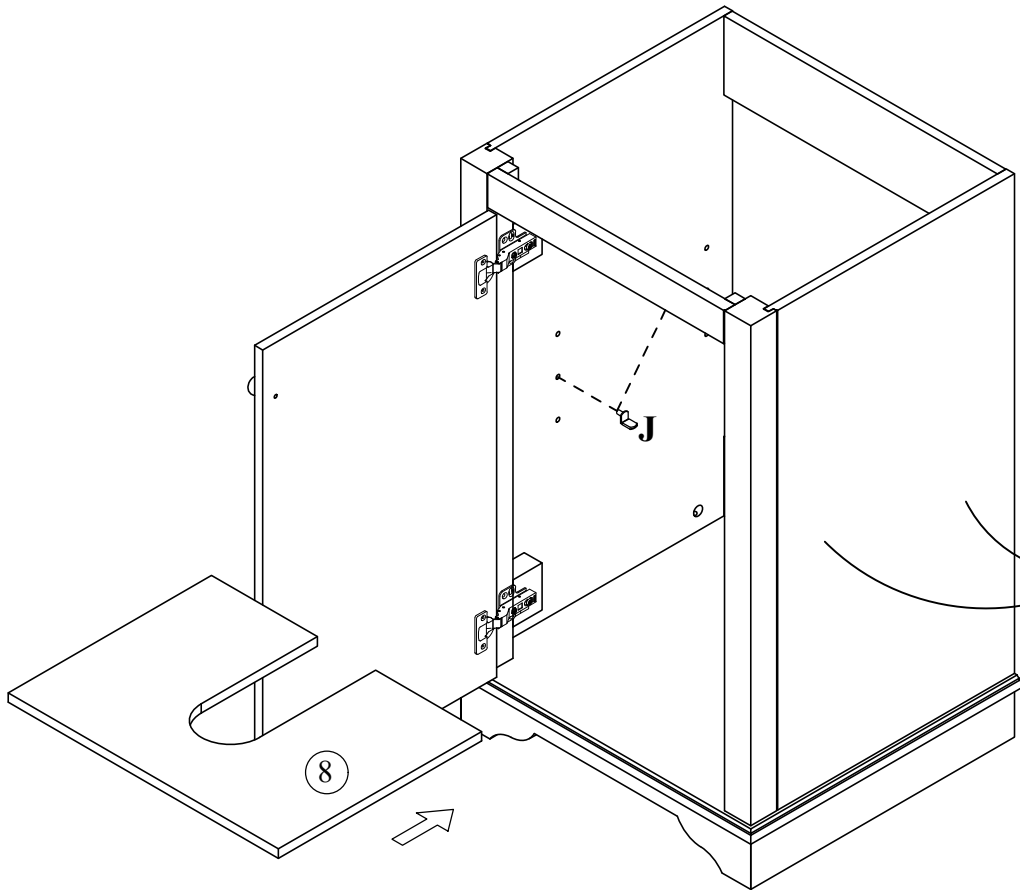
I
8PCS



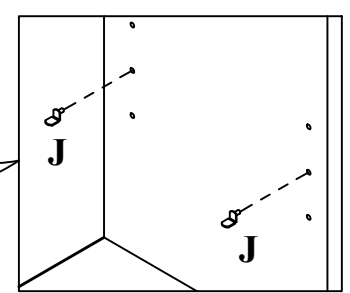
I x2



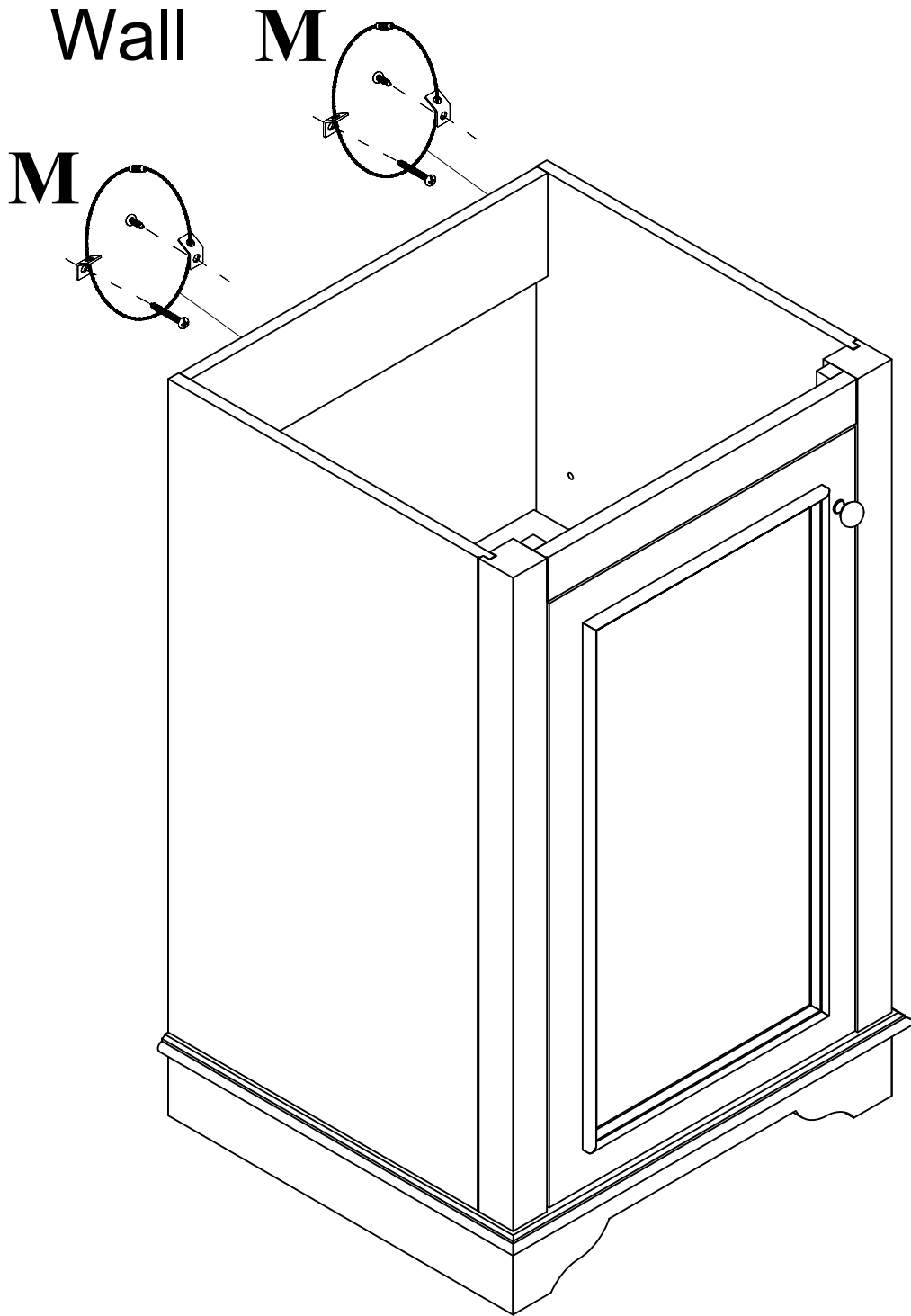
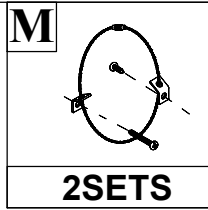
STEP: 8



J
4PCS

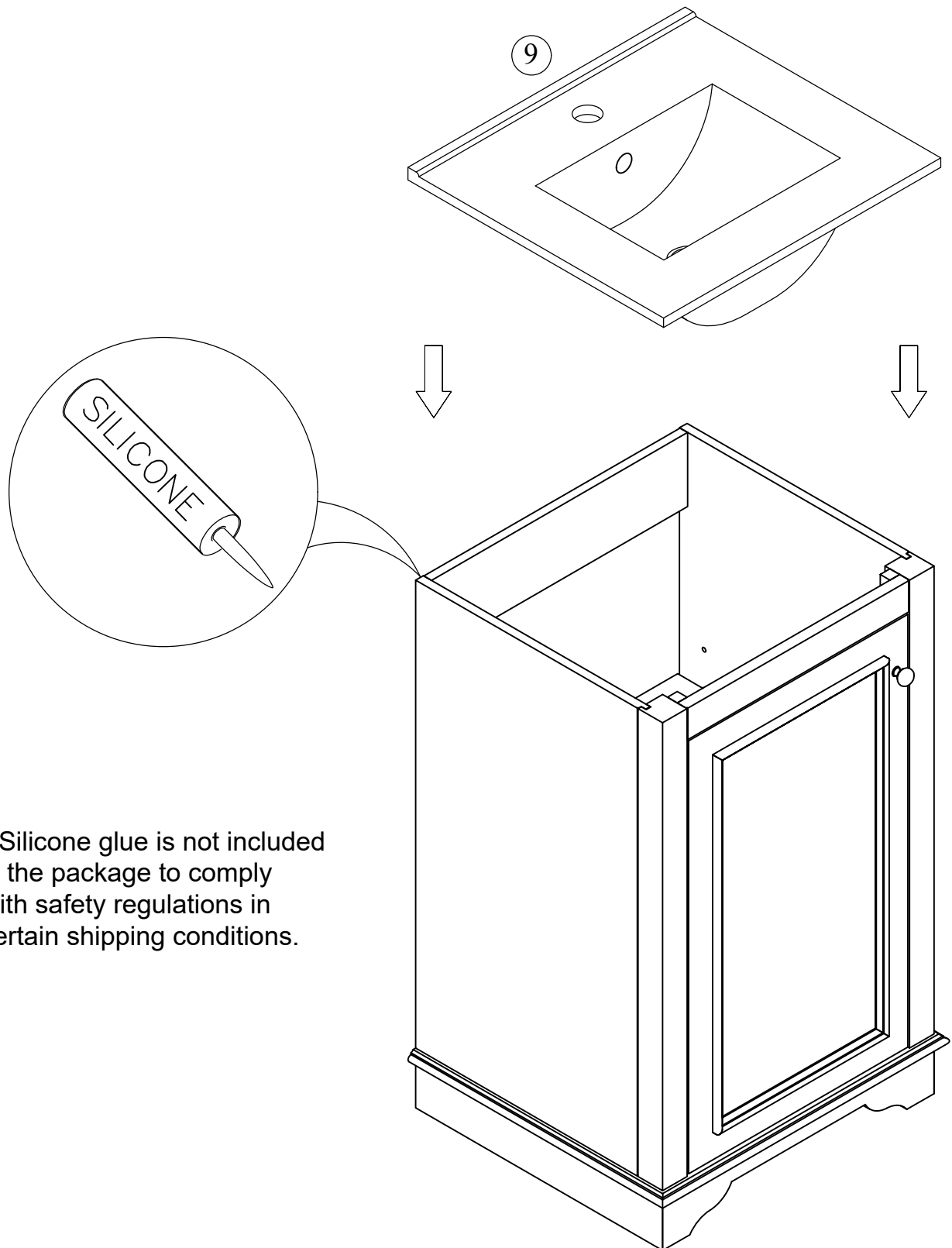


STEP: 9



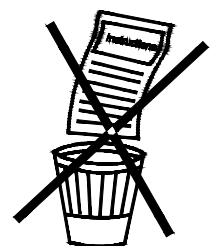
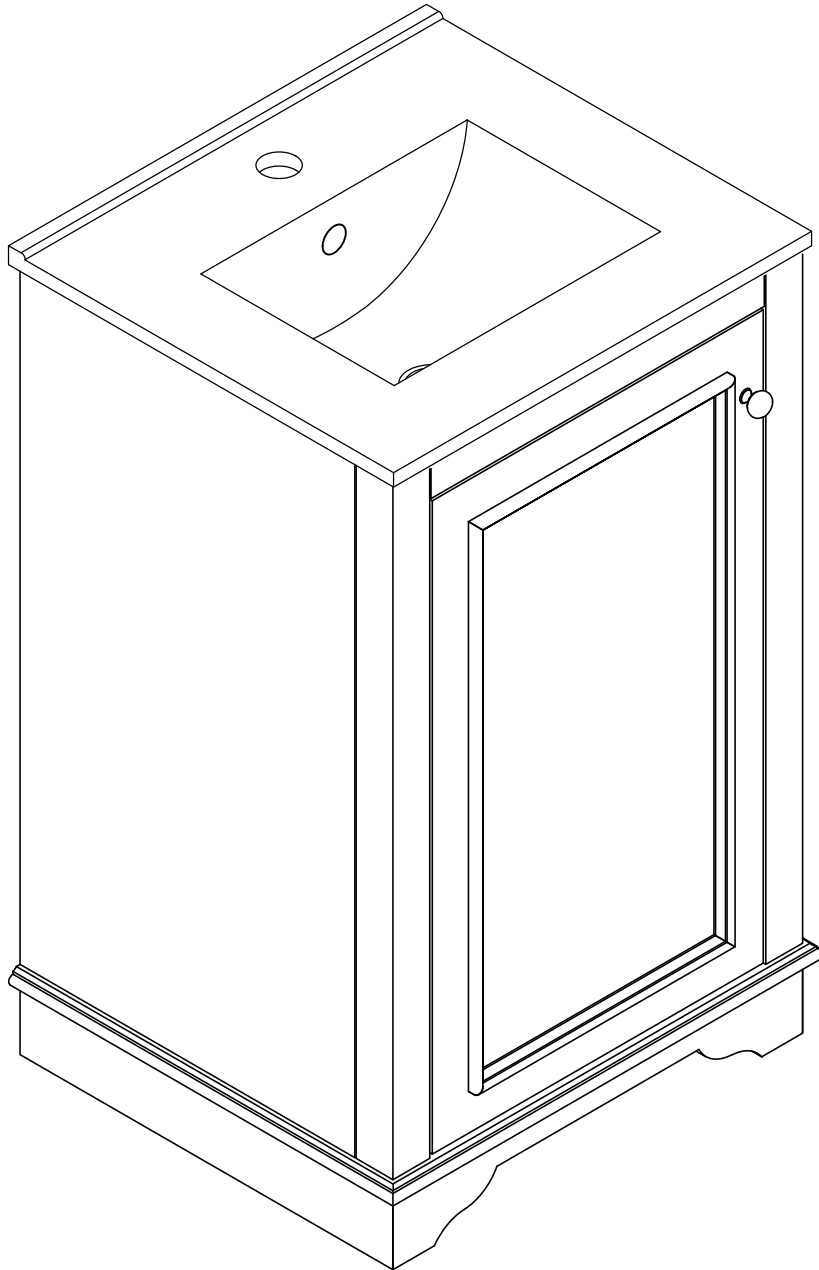
STEP: 10

Install the sink on the cabinet with glue.
Let stand for 24 hours



*Silicone glue is not included
in the package to comply
with safety regulations in
certain shipping conditions.

STEP: 11

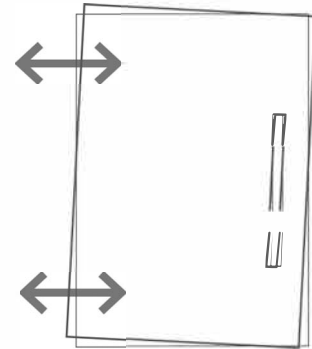


HINGE ADJUSTMENTS



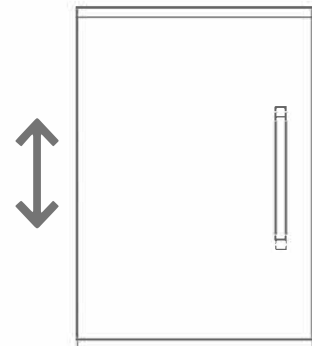
1 Sideways / Tilt adjustment

Turn the screw
clockwise to move the door further away from the side of the cabinet
anticlockwise to move the door closer to the side of the cabinet



2 4 Height adjustment

While supporting the weight of the door, turn the screws
clockwise to move the door up
anticlockwise to move the door down



3 Forward and back adjustment

If the gap between the back of the door and the cabinet is too small, and the door may not close fully. Turn the screw
clockwise to decrease the gap between the door and the cabinet
anticlockwise to increase the gap between the door and the cabinet

