

ASSEMBLY INSTRUCTION

Model:U6028 GR

Description:Glider recliner

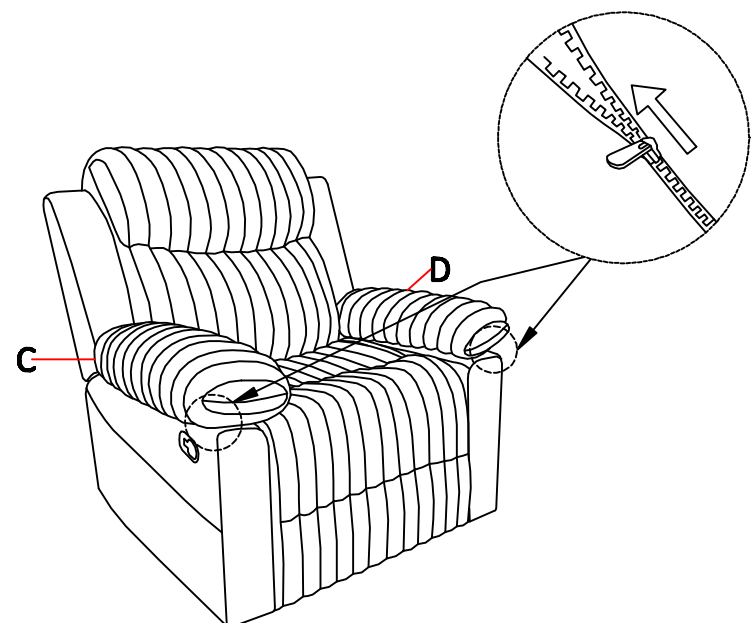
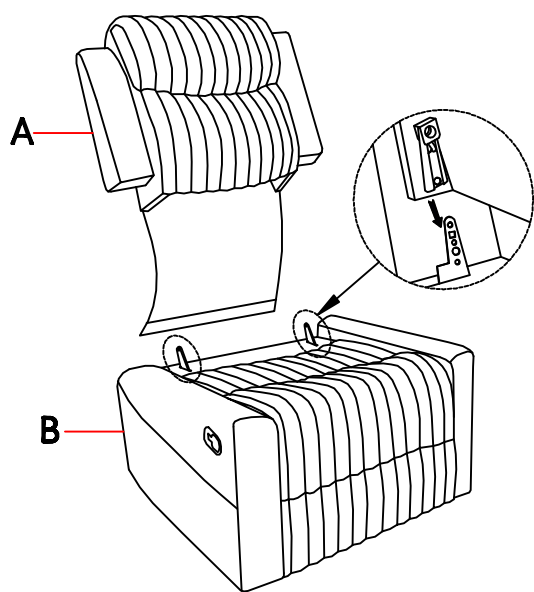
Thank you for purchasing this quality product. Be sure to check all packing material carefully for small parts that may have come loose inside the carton during shipment.

PART LIST:			
No.	Description	Sketch	Quantity
A	Back		1pc
B	Seat		1pc
C	Left Armpillow		1pc
D	Right Armpillow		1pc

STEP 1:

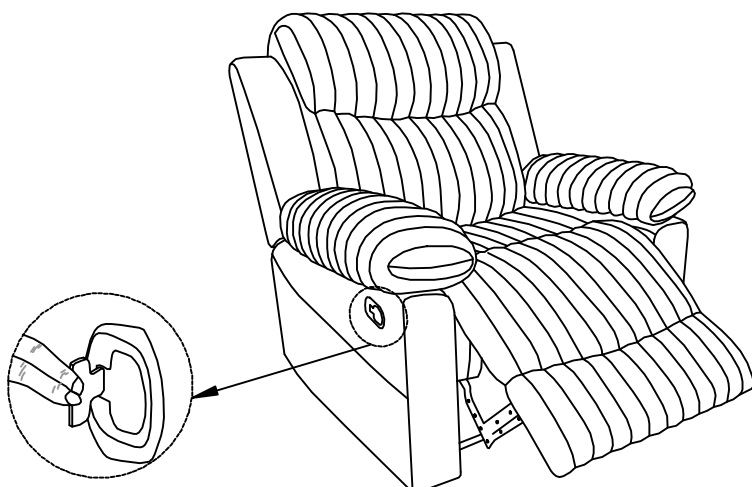
Important

1. Attached Backrest (A) to seat (B).
2. Attached left/right armpillow (C/D) to left/right arm chair of seat (B).



STEP 2:

Important : Open the footrest by pulling out the Switch.



Made In Viet Nam