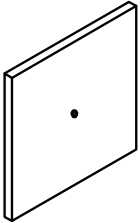
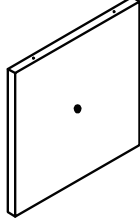
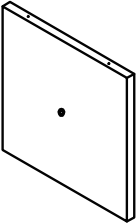
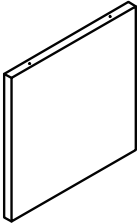
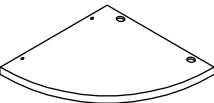
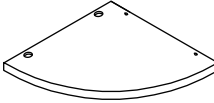



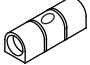

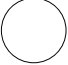
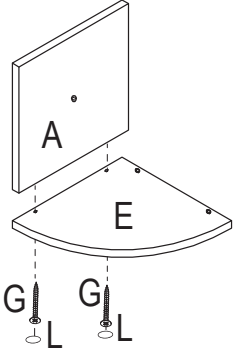


Package Contents:

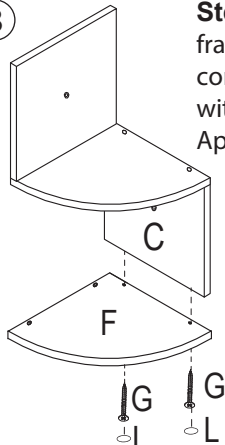
A End Frame  1PC	B End Frame  1PC	C Second Frame  1PC	D Middle Frame  2PCS	E Left Corner Frame  2PCS	F Right Corner Frame  2PCS	G Frame Screw  M4x35mm 16PCS	H Wall Anchor  3PCS	I Wall Screw  M4x40mm 3PCS
		J Level  1PC			K Screwdriver  1PC	L Wood Sticker  19PCS		

1



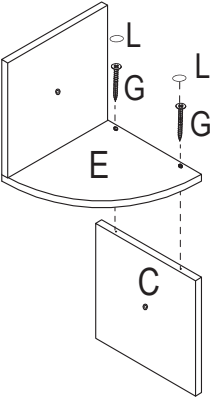
Step 1: Align end frame (A) with left corner frame (E). Secure with frame screw (G). Apply wood sticker (L).

3



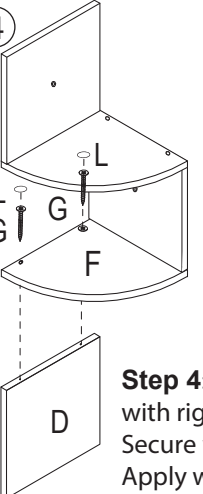
Step 3: Align second frame (C) with right corner frame (F). Secure with frame screw (G). Apply wood sticker (L).

2



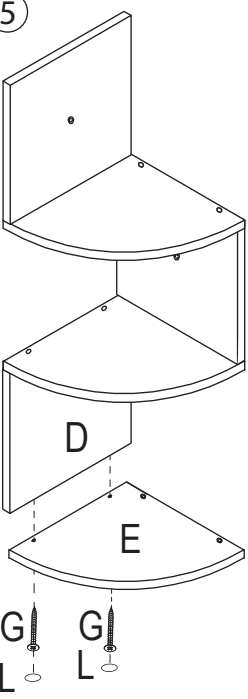
Step 2: Secure second frame (C) to left corner frame (E) with frame screw (G). Apply wood sticker (L).

4



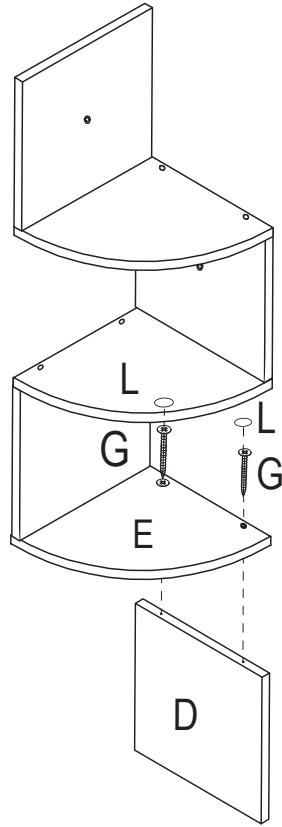
Step 4: Align middle frame (D) with right corner frame (F). Secure with frame screw (G). Apply wood sticker (L).

5



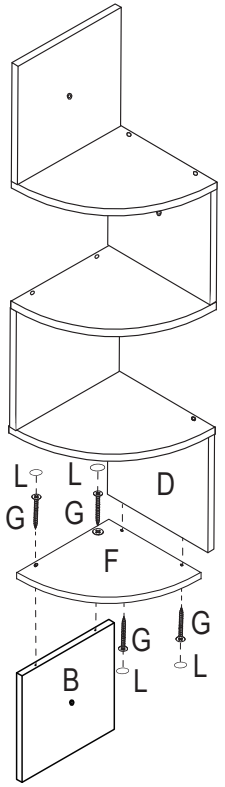
Step 5: Align middle frame (D) with left corner frame (E). Secure with frame screw (G). Apply wood sticker (L).

6

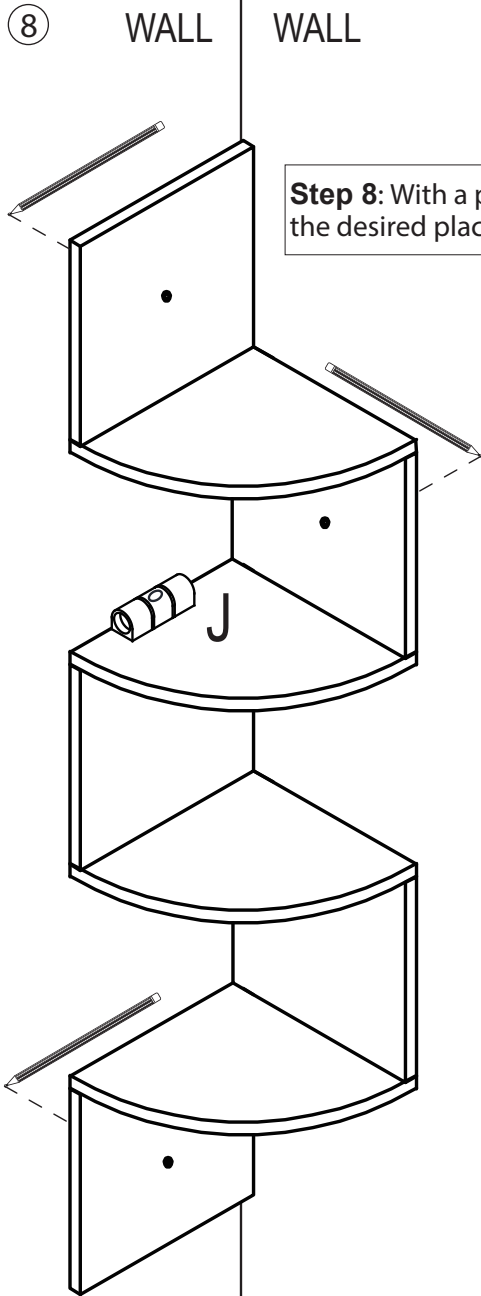


Step 6: Align middle frame (D) with right corner frame (F). Secure with frame screw (G). Apply wood sticker (L). Align end frame (B) with right corner frame (F). Secure with frame screw (G). Apply wood sticker (L).

7



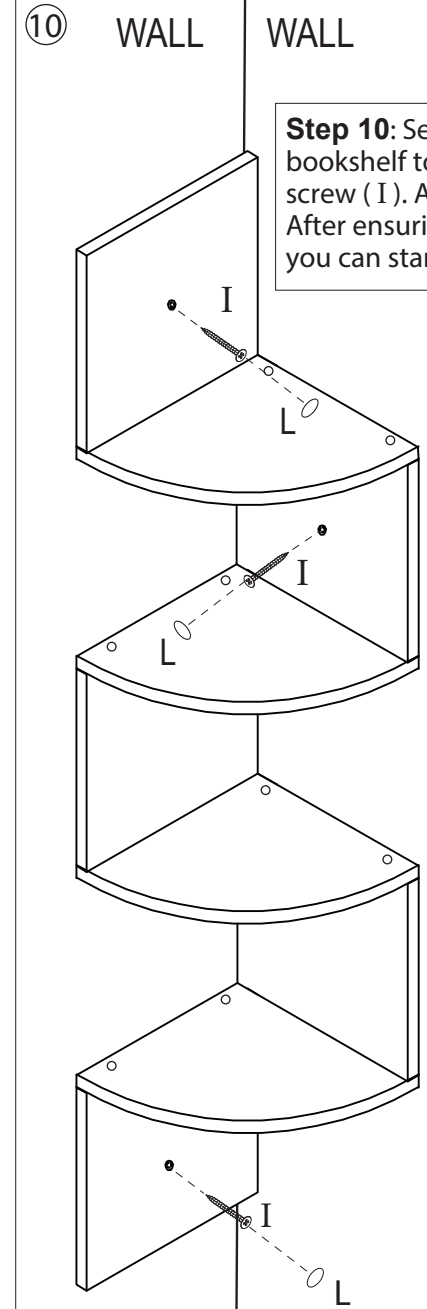
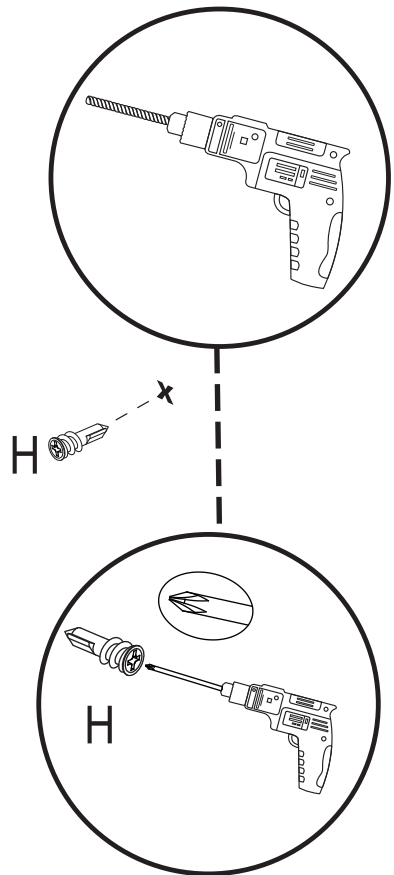
Step 7: Align middle frame (D) with right corner frame (F). Secure with frame screw (G). Apply wood sticker (L). Align end frame (B) with right corner frame (F). Secure with frame screw (G). Apply wood sticker (L).



Step 8: With a pencil, mark off the desired place of installation.



Step 9: Drill a hole into the wall using a 6mm bit and install wall anchor (H).



Step 10: Secure assembled corner bookshelf to the wall with wall screw (I). Apply wood sticker (L). After ensuring everything is secure, you can start to use the shelf.