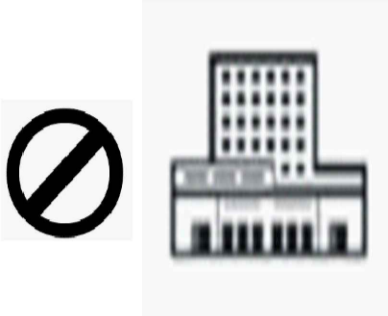
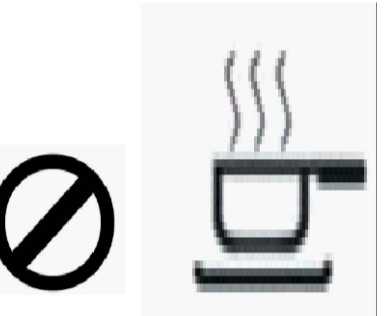

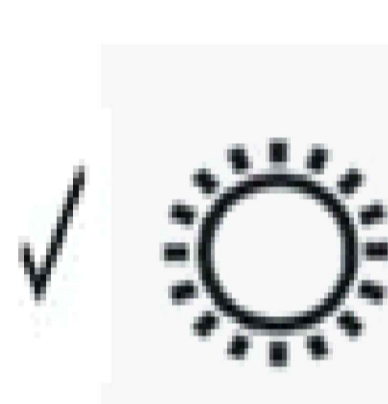

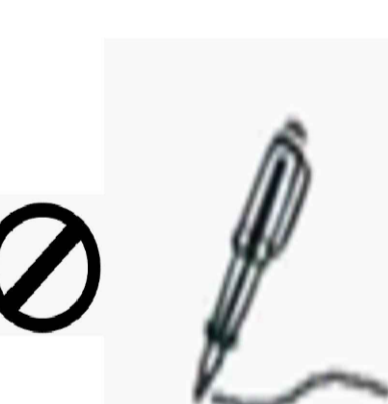






# Assembly Instructions

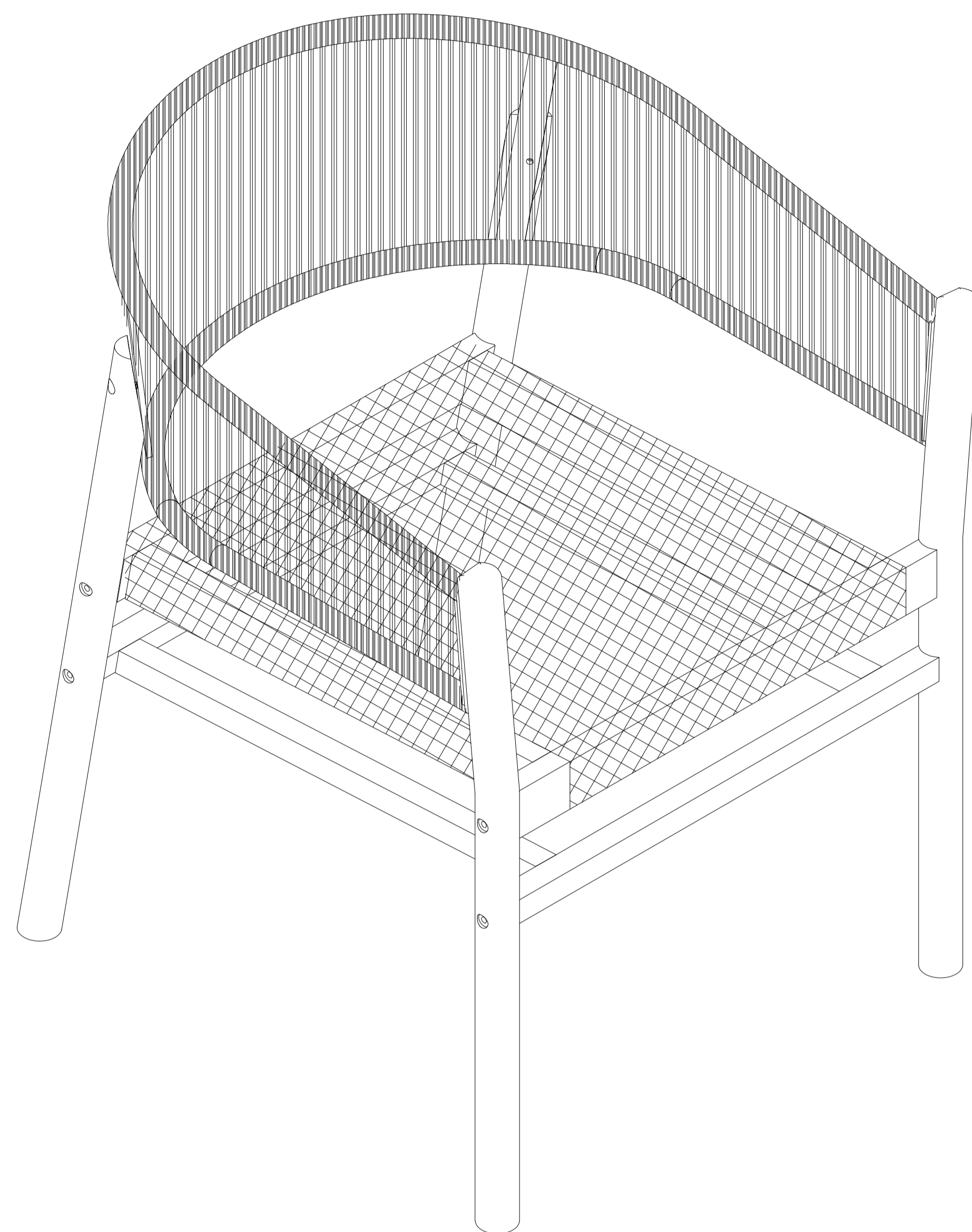
**CAUTION** : You must read these Assembly Instruction before you proceed

## Care & Maintenance

-  ● Not for commercial use. For residential use only.
-  ● Do not put hot items directly on furniture surface.
-  ● Do not clean furniture with harsh cleansers or polish.
-  ● To obtain the longest lifespan of your outdoor product minimizing exposure to direct sunlight is recommended.
-  ● Children should not climb or jump on the furniture.
-  ● Do not write on furniture without a padded barrier to protect the surface.
-  ● To obtain the longest lifespan of your outdoor products, avoid extended and lengthy exposure to rain, snow, and direct sunshine. Whenever possible cover the product and /or place under patio or awnings.
-  ● Stains may be removed with mild soap solution and damp cloth.
-  ● Keep away from sources of ignition.
-  ● Dust and pick-up spills using a clean, non-colored, lint-free cloth.

Please look into the Seat Panel for hardware packs.

# CHAIR



**CAUTION: This Chair is NOT a TOY**

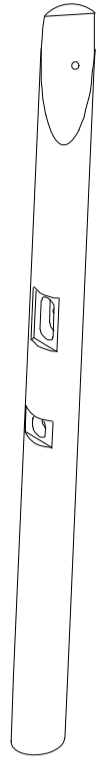
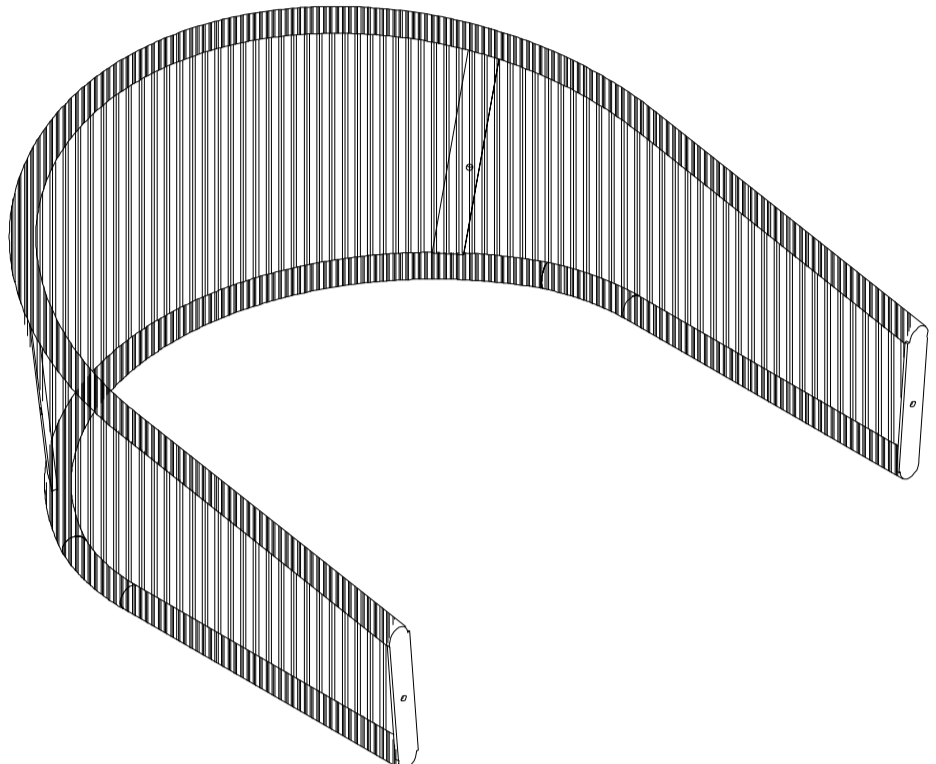
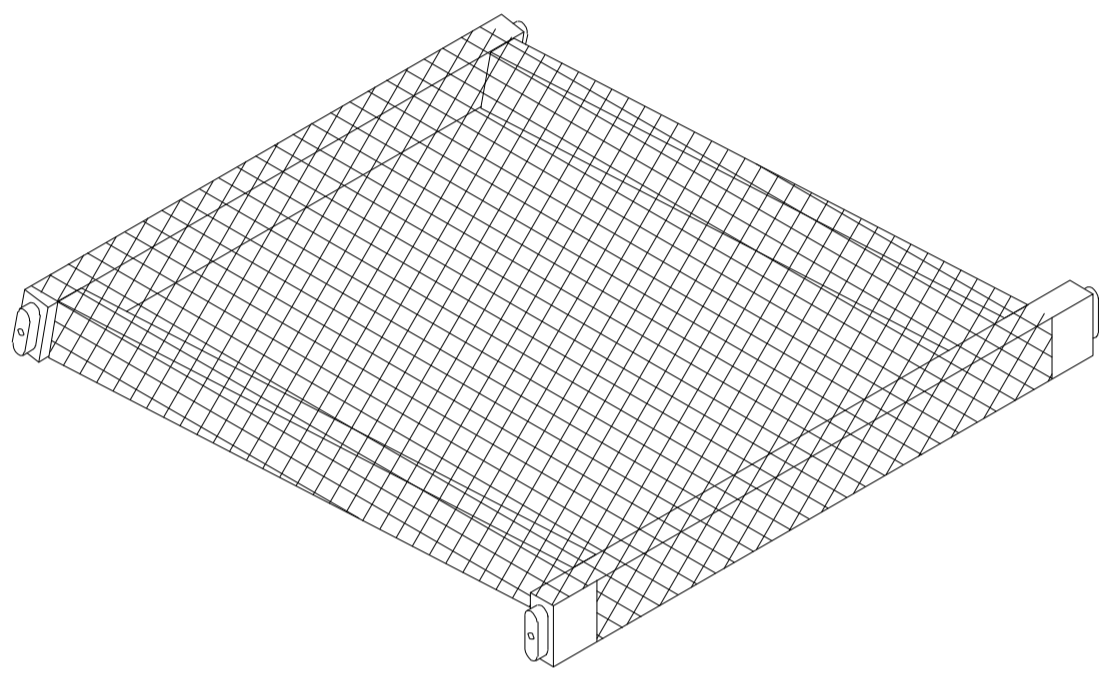
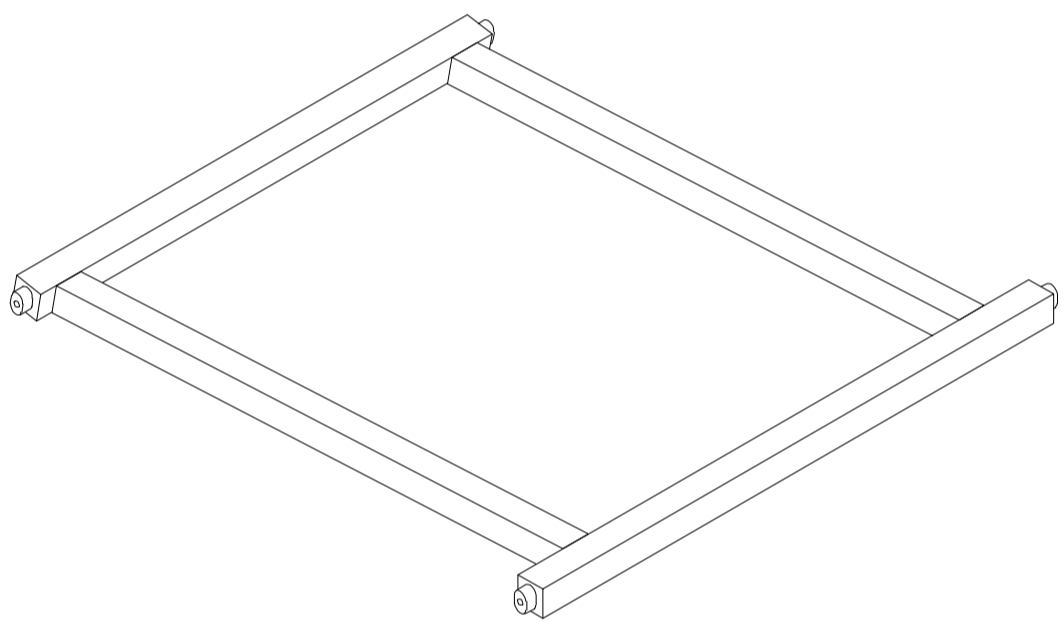
Keep your child / children at bay during the assembly process.

For turning the Chair and to prevent damage to the Chair, 02 adults may be needed to execute this action

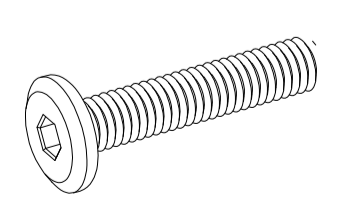
## Parts List

Label	Picture	Description	Qty
A		Left Front Leg	1
B		Left Back Leg	1
C		Right Front Leg	1

## Parts List

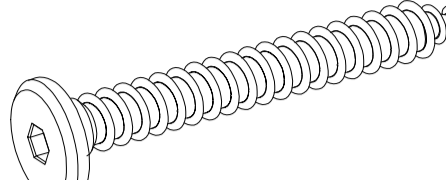
Label	Picture	Description	Qty
D		Right Back Leg	1
E		Backrest	1
F		Seat Frame	1
G		Bottom Support Frame	1

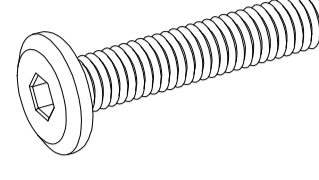
## Hardware:

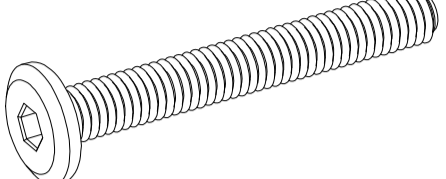
No.	Picture	Description	Q.ty
①		Screw (M6*60mm)	9
②		Bolt (M6*35mm)	3
③		Bolt (M6*15mm)	3
④		Allen Wrench	2

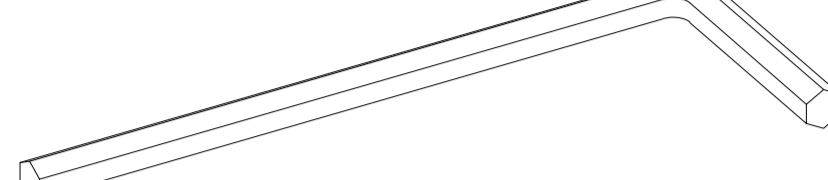
# Assembly Preparation:

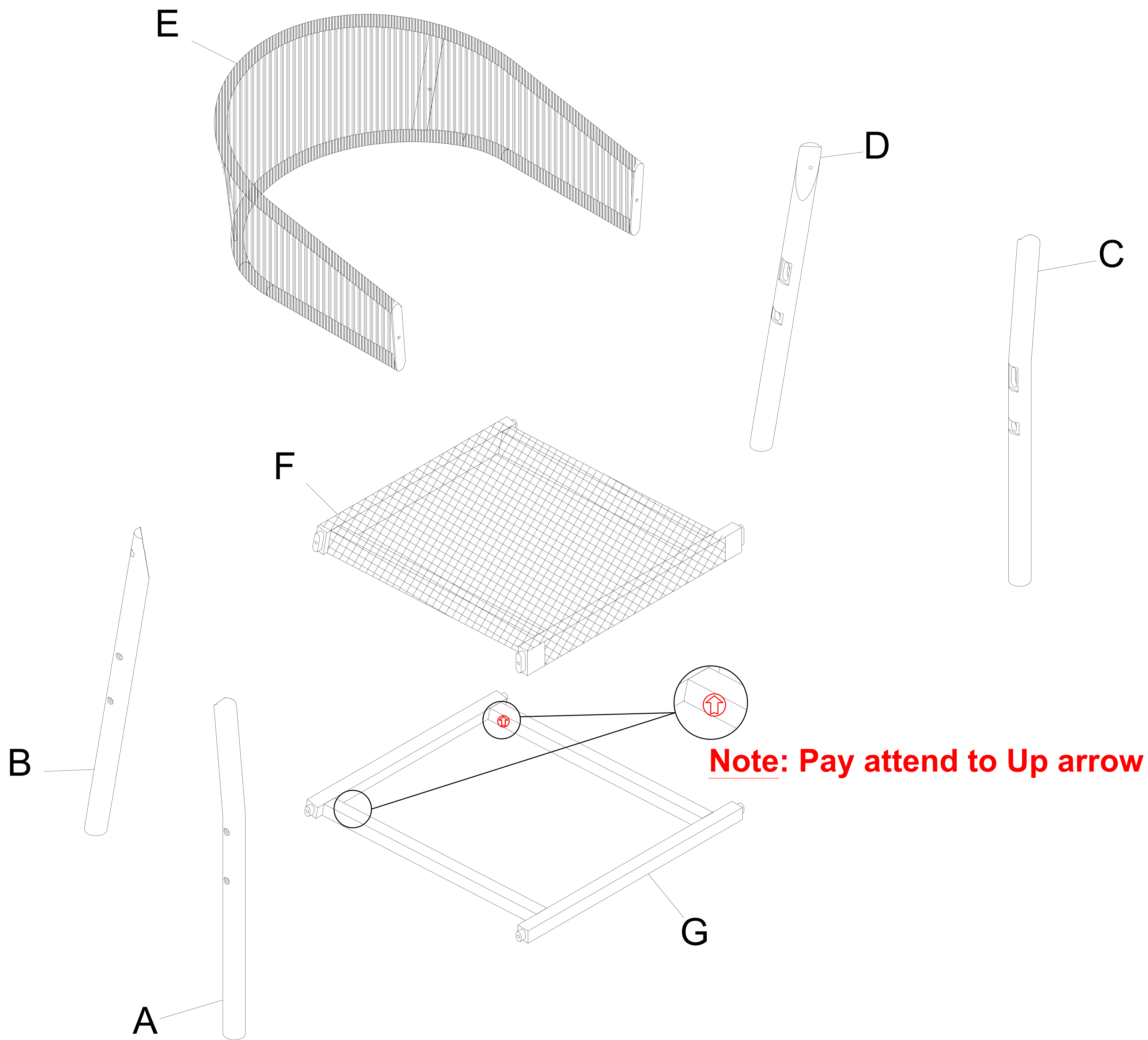
## Before Beginning Assembly:

①  x9

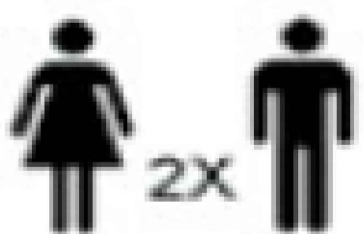
③  x3

②  x3

④  x2



• Read instructions, cover to cover



• Have 2 adults on hand for assembly



• Do not assemble on the flooring or carpet



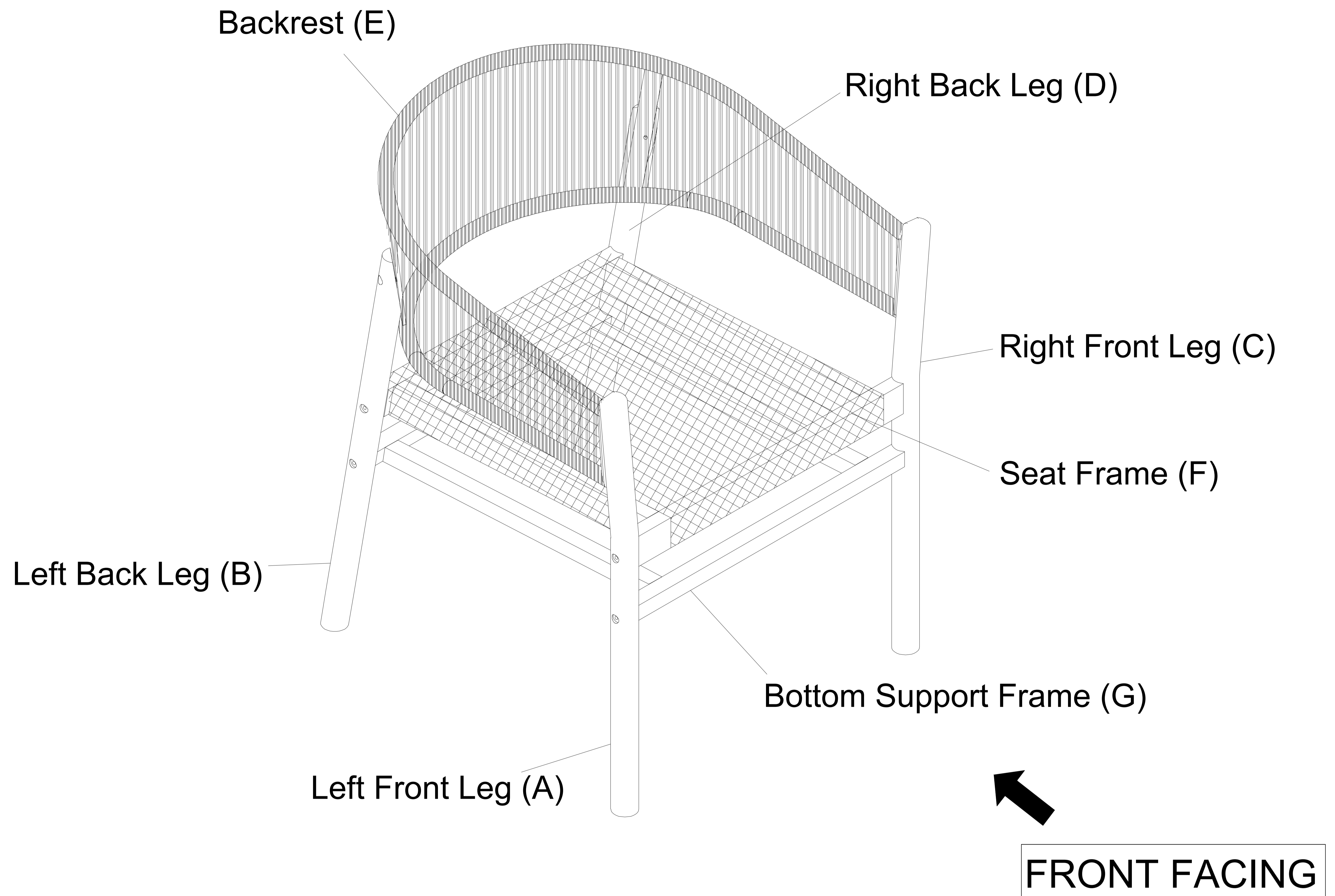
• Assemble on a clean, non-marring surface (packing foam)



• Save all packaging until finished.

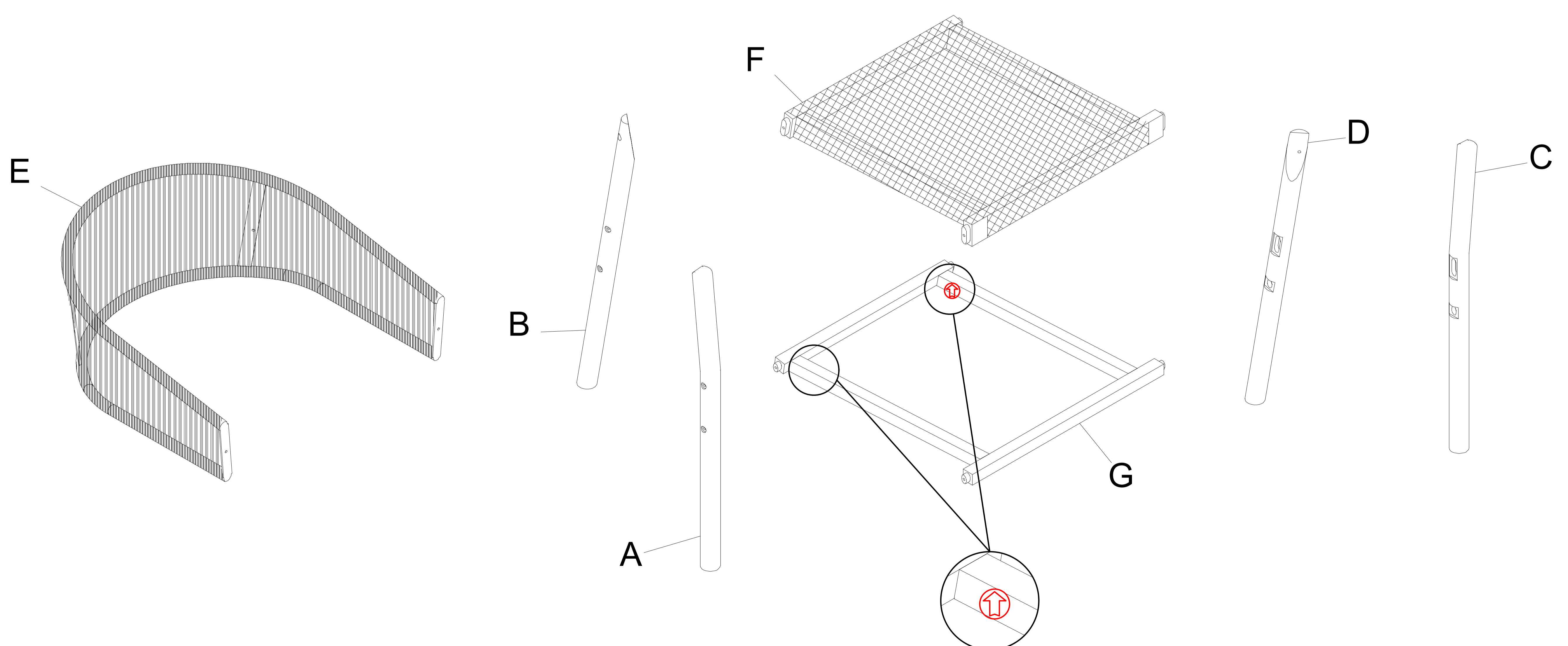
## Assembly Steps:

### Overview:



This Chair has multiple parts and may require up to 30 minutes to assemble. To give you an overview of the Chair parts, the above picture is to help you put the various parts into perspective. Please read through the instructions below to familiarise the parts and steps before assembly.

### Step 1:

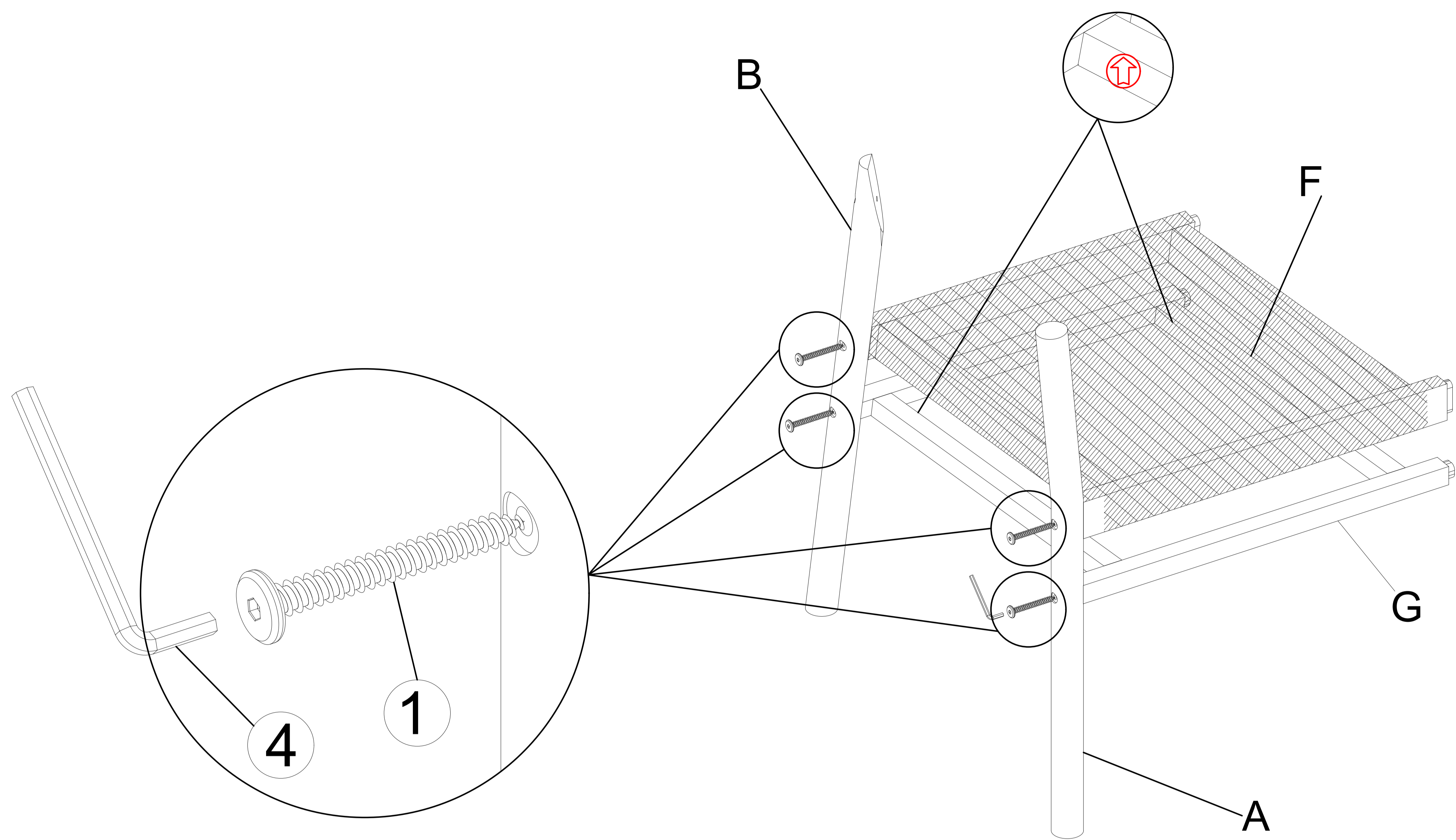


**Note: Pay attend to Up arrow**

Unpack and place all the parts on a clean, non-marring surface.

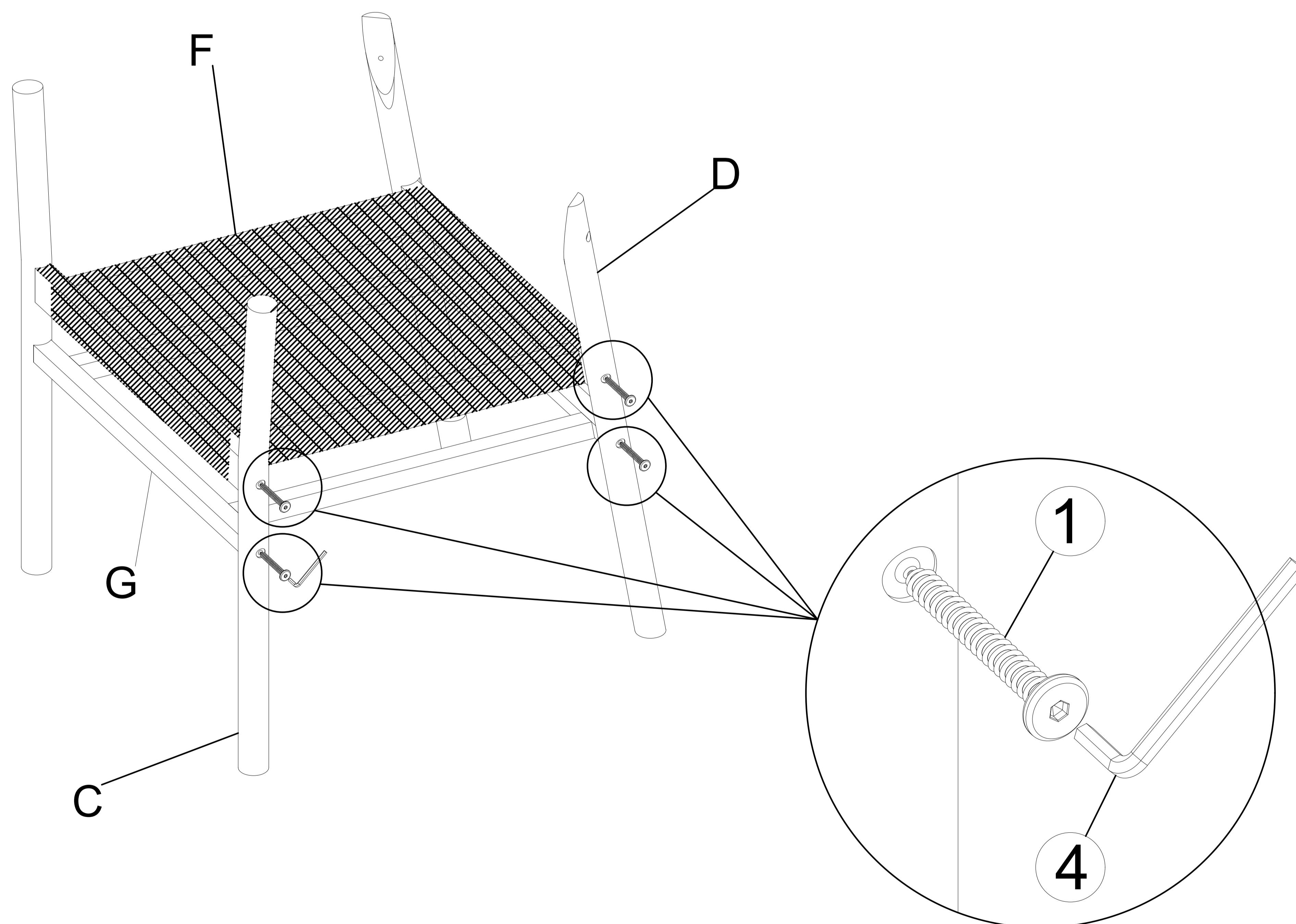
Step 2:

**Note: Pay attend to Up arrow**



Insert Left Front Leg (A) & Left Back Leg (B) to Seat Frame (F) and Bottom Support Frame (G) by using 4pcs Screws (①) and Allen Wrench (④)  
**DO NOT fully tighten the Screws.**

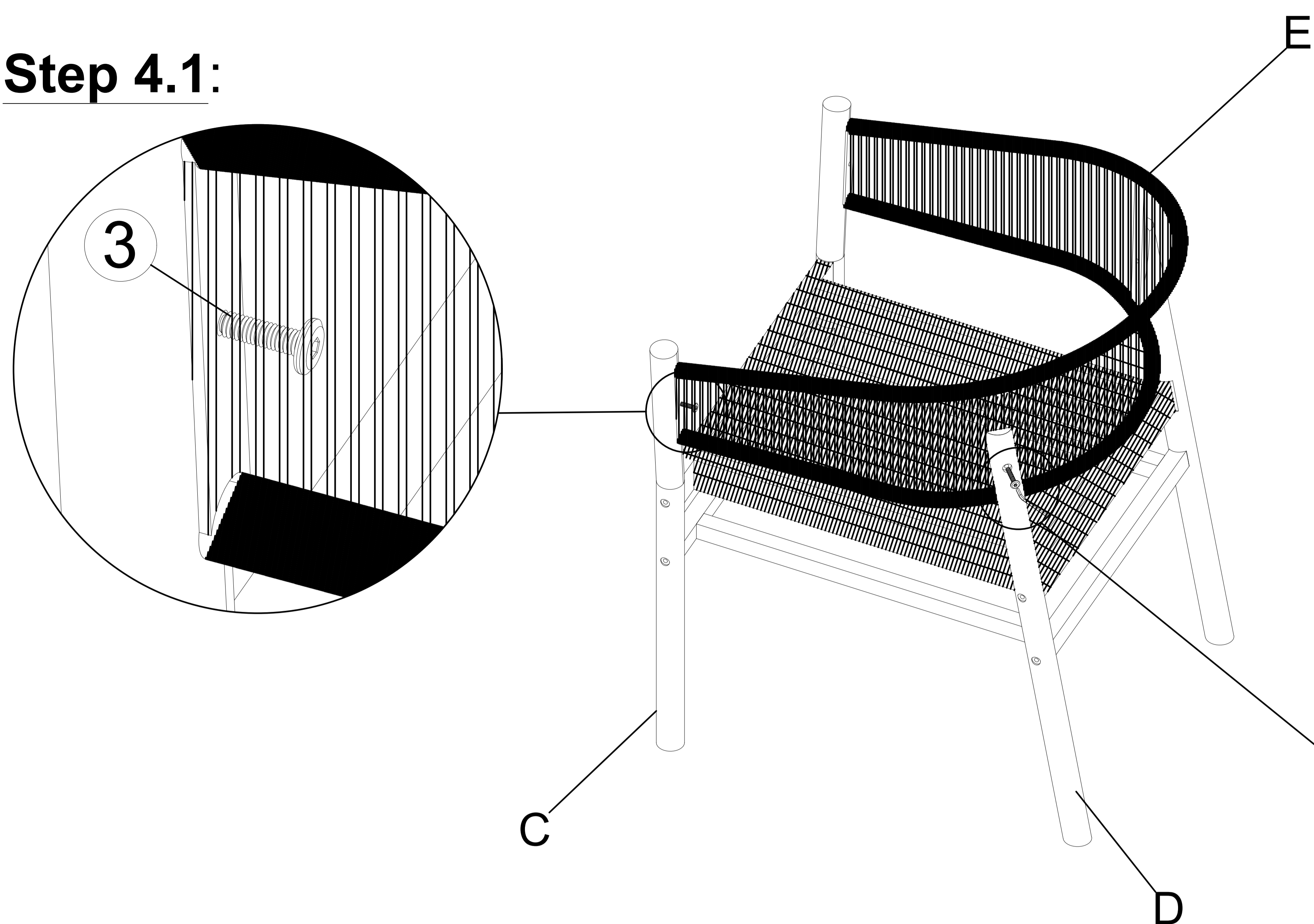
Step 3:



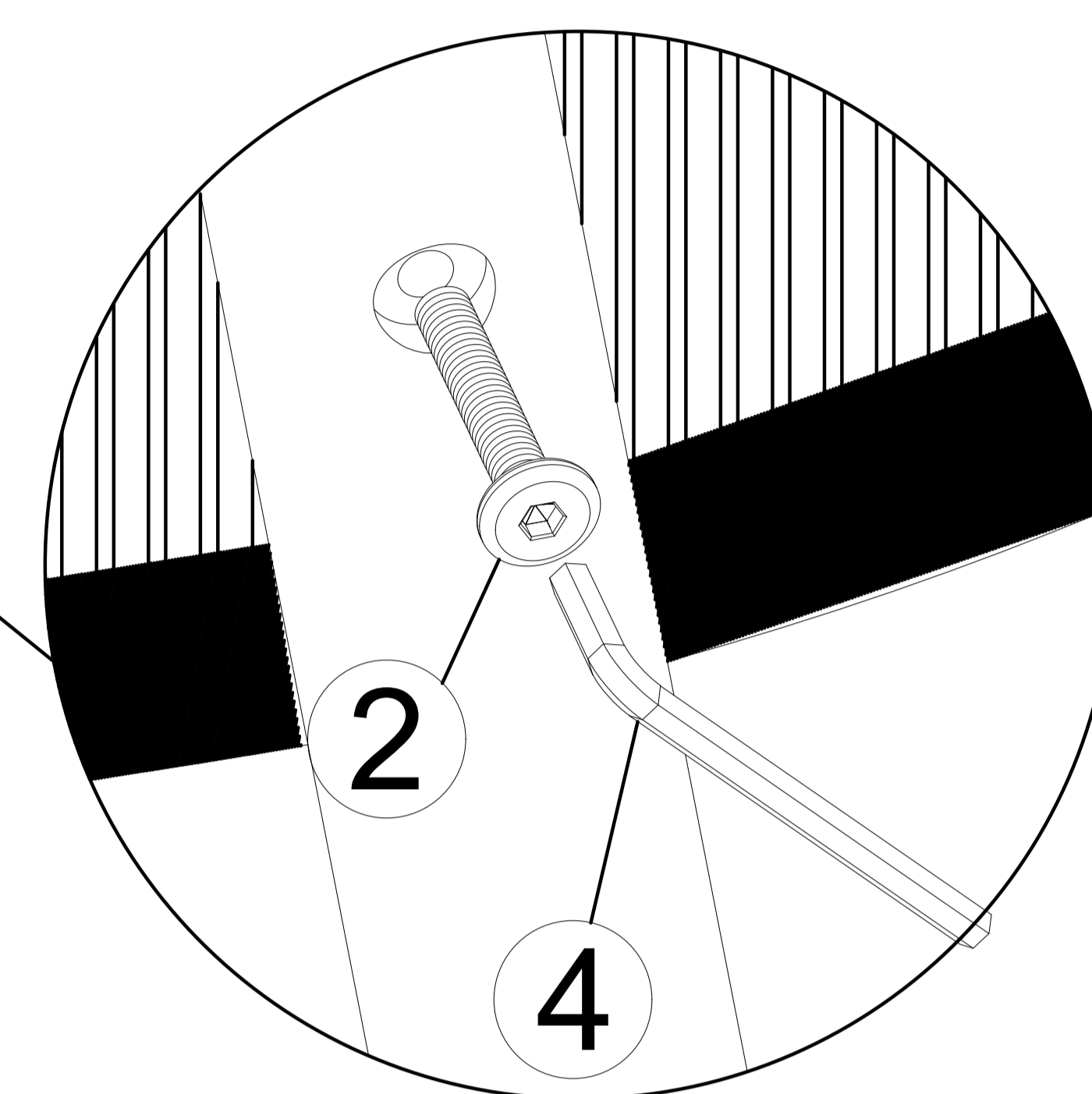
Insert Right Front Leg (C) & Left Back Leg (D) to **Assembled parts in Step 2** and Bottom Support Frame (G) by using 4pcs Screws (①) and Allen Wrench (④)  
**DO NOT fully tighten the Screws.**

Step 4:

**Step 4.1:**



**Step 4.2:**



Insert the Backrest (E) to **Assembled parts in Step 2**. Then:

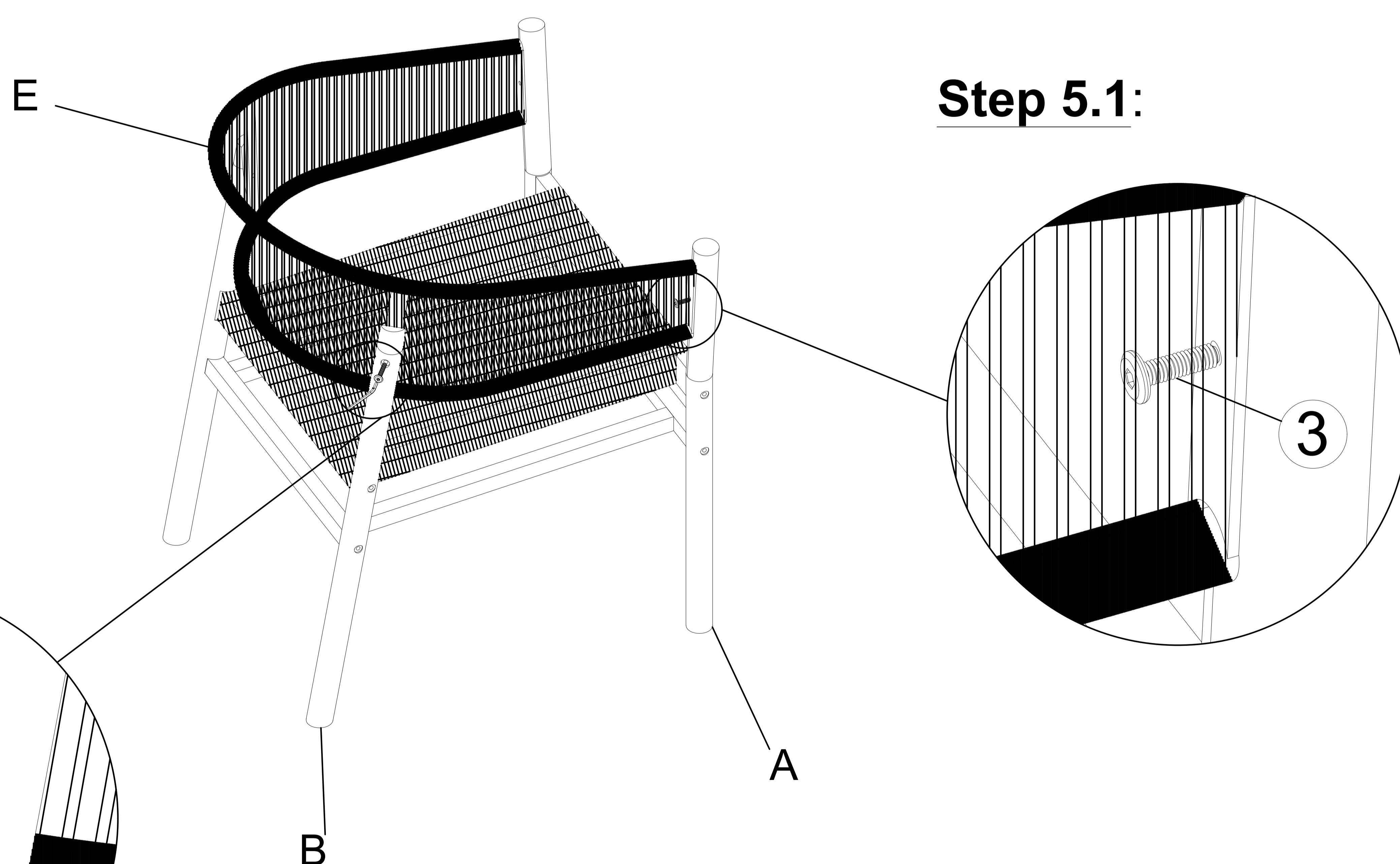
**Step 4.1:** Fix Right Front Leg (C) to Backrest (E) by 1pc Bolt (③) and Allen Wrench (④)

**Step 4.2:** Fix Right Back Leg (D) to Backrest (E) by 1pc Bolt (②) and Allen Wrench (④).

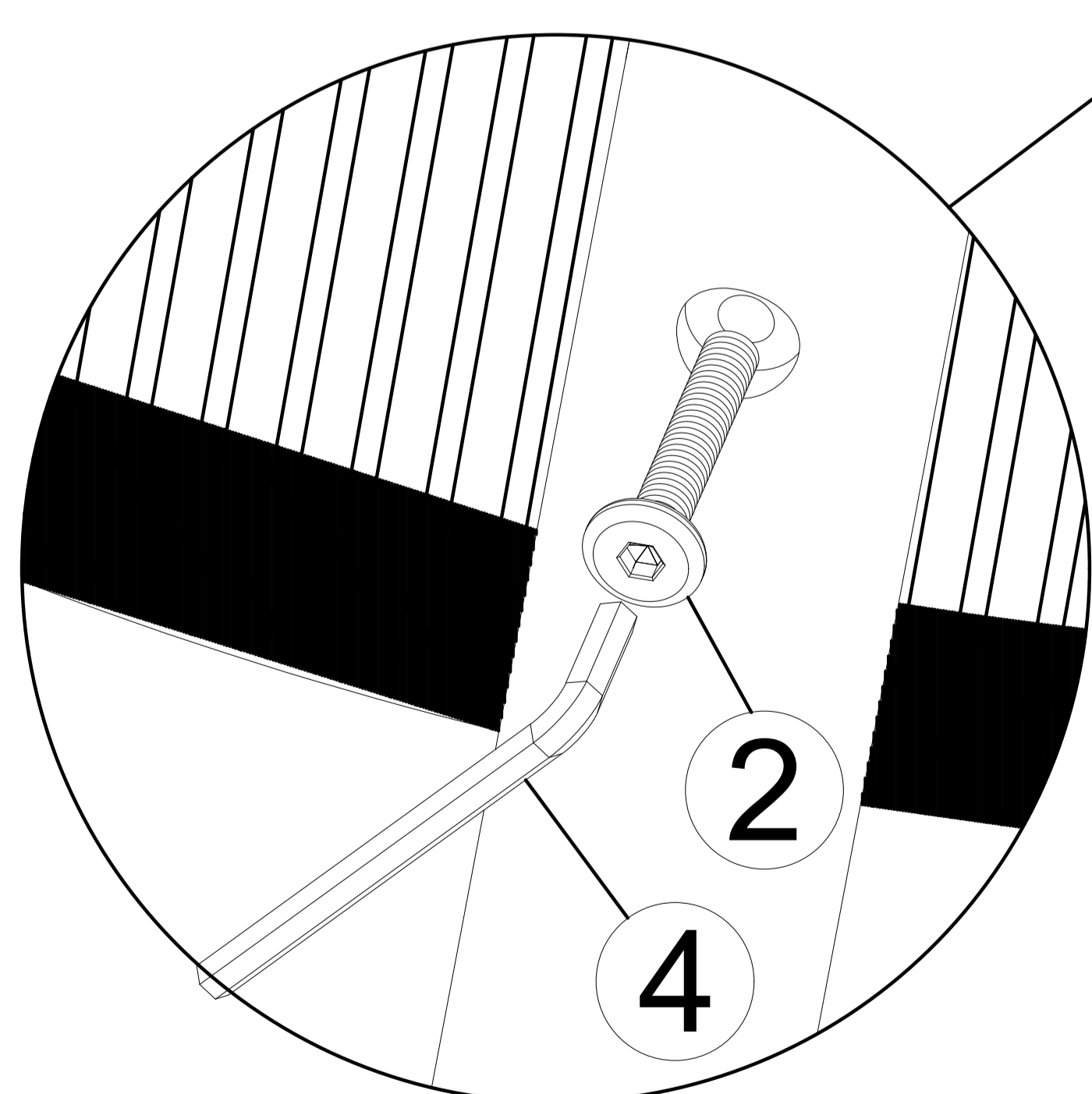
**DO NOT fully tighten the Bolts.**

Step 5:

**Step 5.1:**



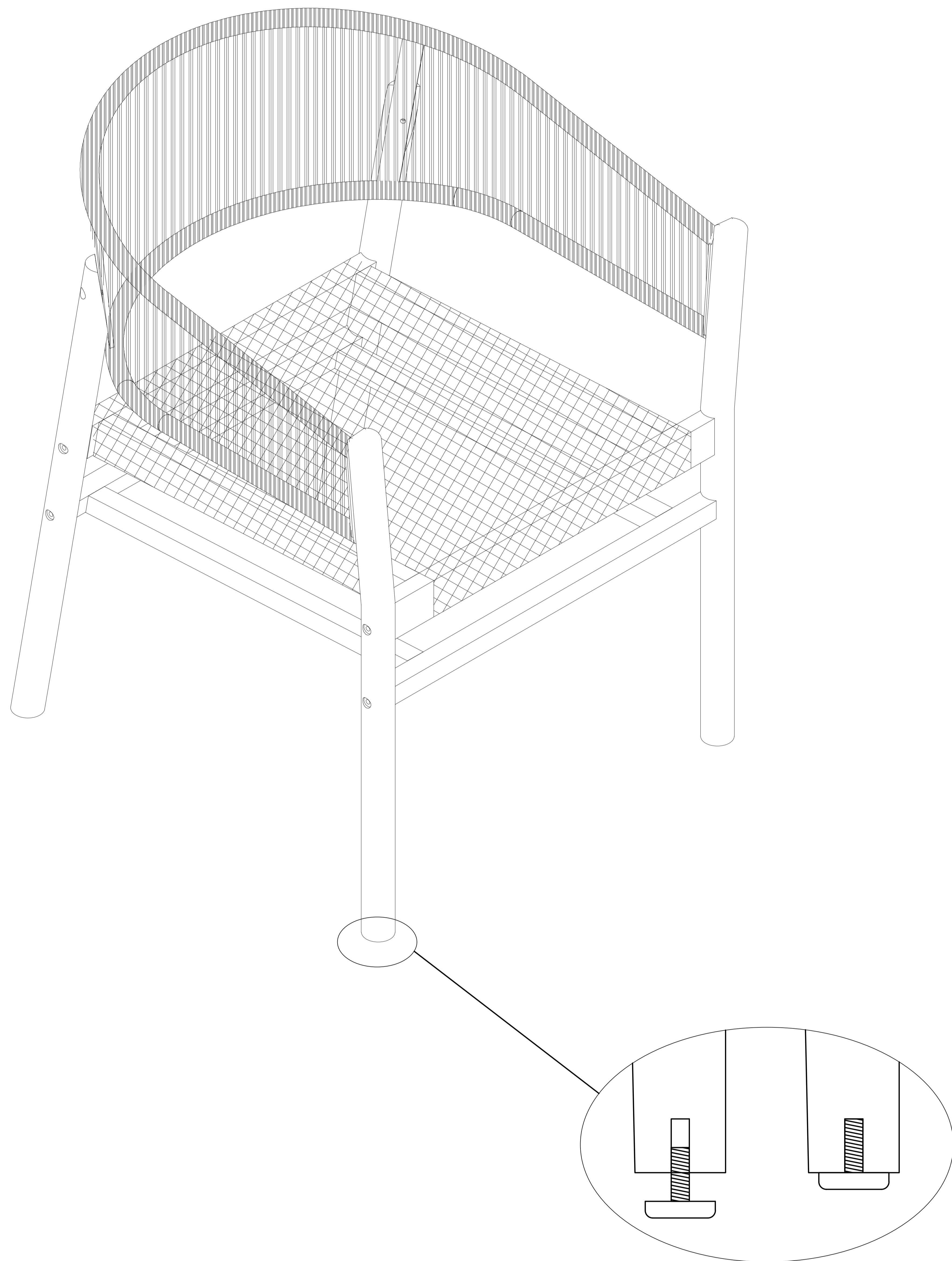
**Step 5.2:**



**Step 5.1:** Fix Left Front Leg (A) to Backrest (E) by 1pc Bolt (③) and Allen Wrench (④)

**Step 5.2:** Fix Left Back Leg (B) to Backrest (E) by 1pc Bolt (②) and Allen Wrench (④).

**DO NOT fully tighten the Bolts.**



Adjust high for balance

Adjust low for balance

Adjust Pre-installed Levellers height for balance

Inspect it and make sure all parts are adequately connected.

Gently and gracefully, sit onto the all Chair. This will help to align all the parts at all joint areas. Then get off the Chair and in a sequential manner, gradually tighten all Screws and Bolts at all joints until evenly connected.

If there are still wobbles, loosen the Screws and execute this same process.

**WARNING!! IF CHAIR IS NOT STABLE, IT COULD LEAD TO DAMAGING THE PRODUCT.**

**Your Chair is ready for use.**

**This Chair can only be used on a flat, level surface.**