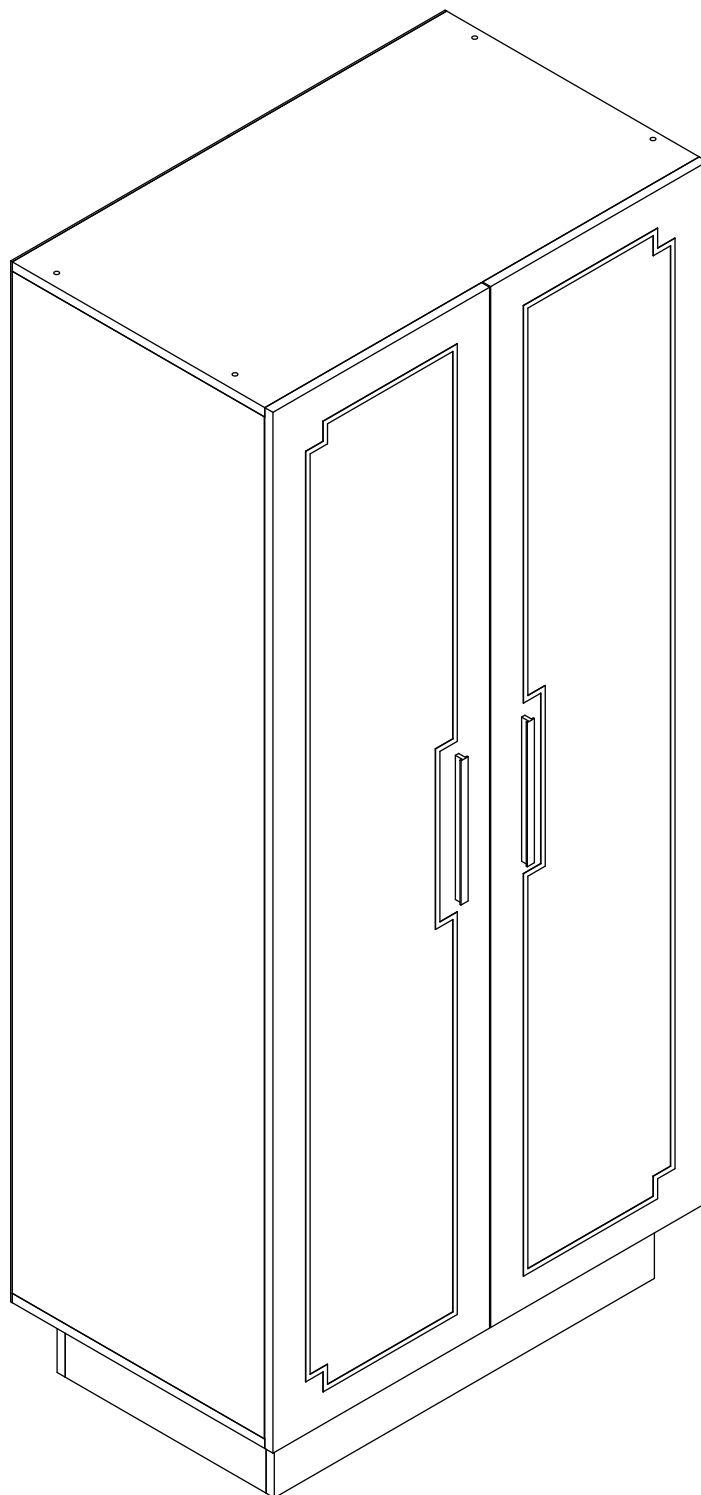
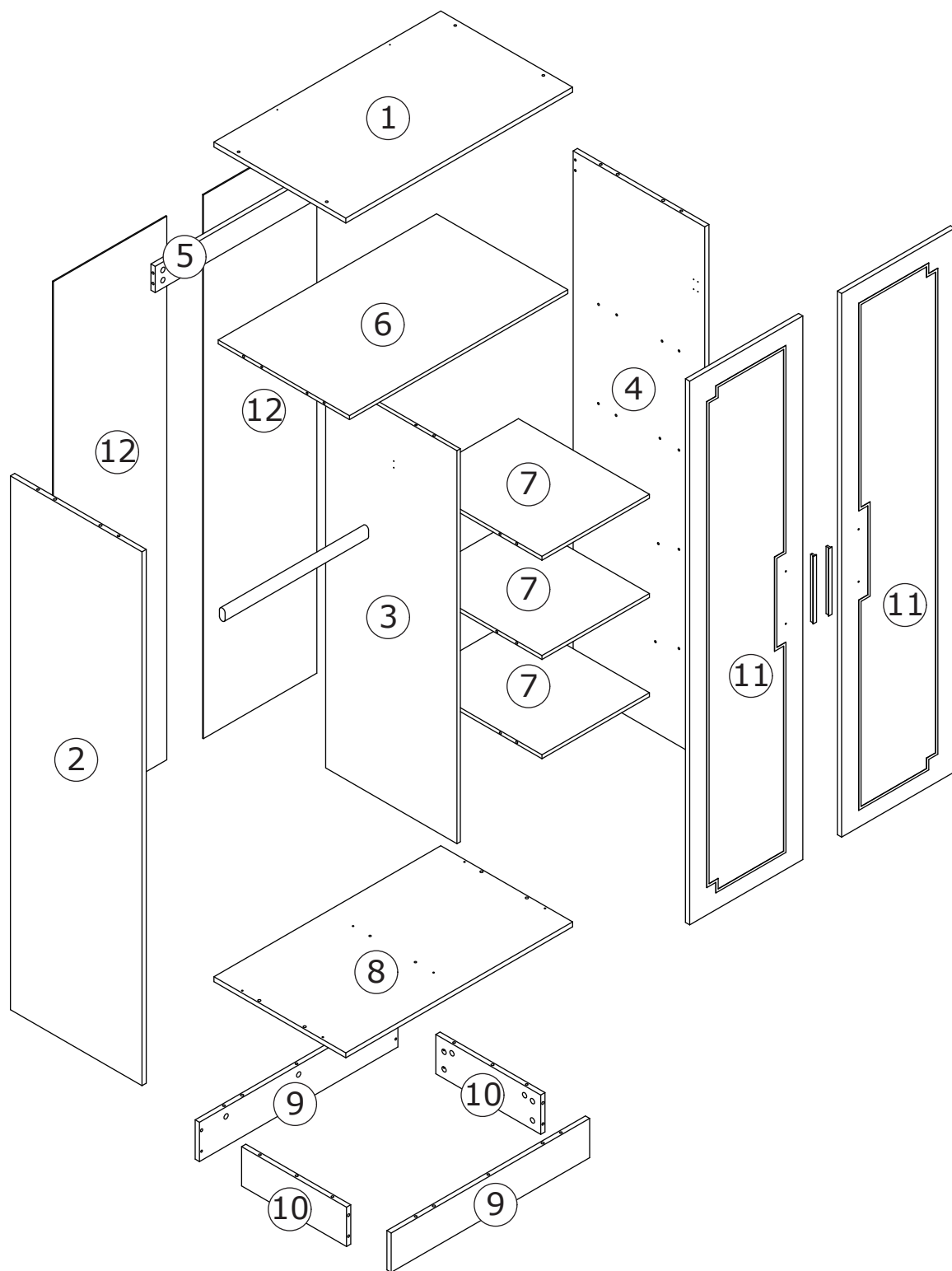
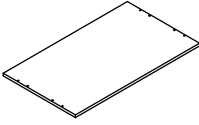
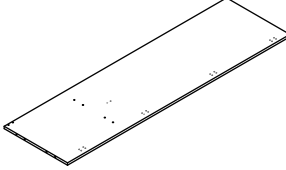
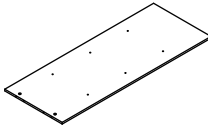
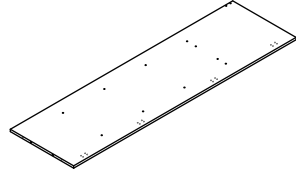
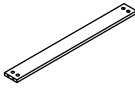
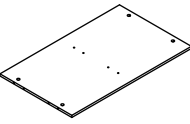
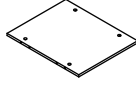
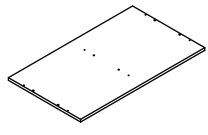
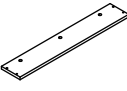
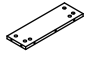
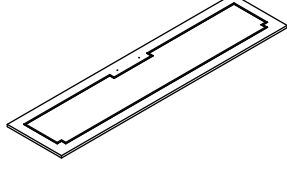
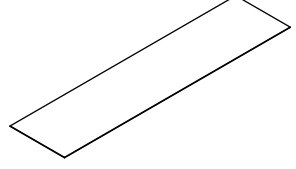


Installation & Assembly

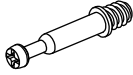





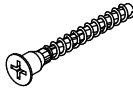
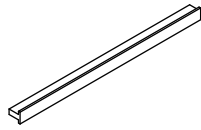
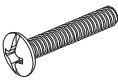

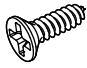
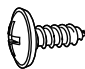
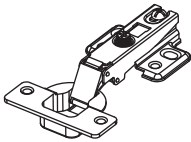
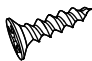
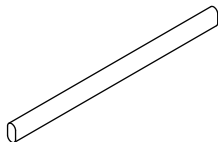
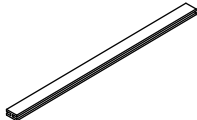
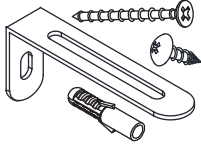

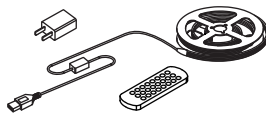
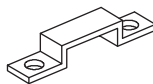






Parts and Operation Elements

			
① 1pc	② 1pc	③ 1pc	④ 1pc
			
⑤ 1pc	⑥ 1pc	⑦ 3pcs	⑧ 1pc
			
⑨ 2pcs	⑩ 2pcs	⑪ 2pcs	⑫ 2pcs

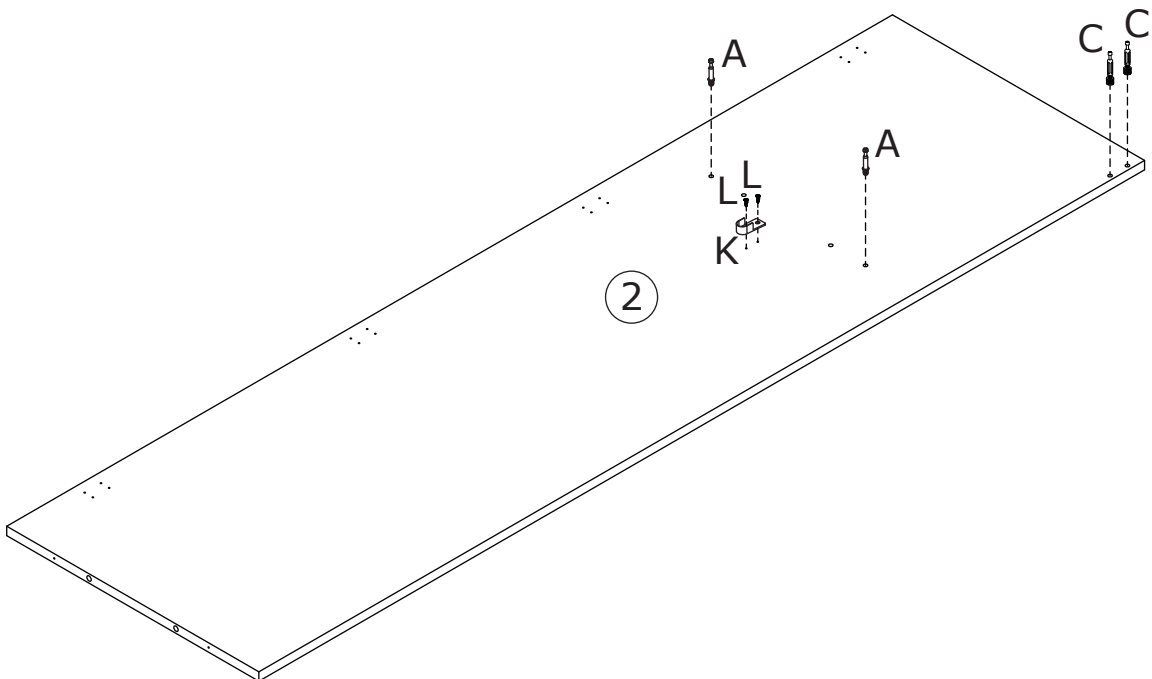
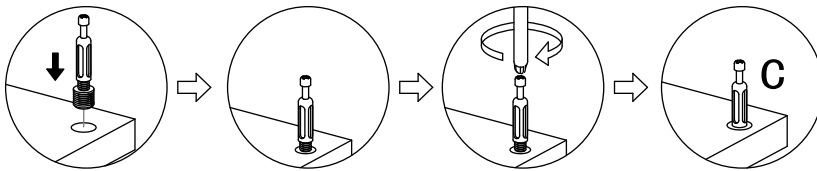
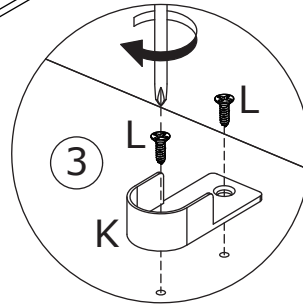
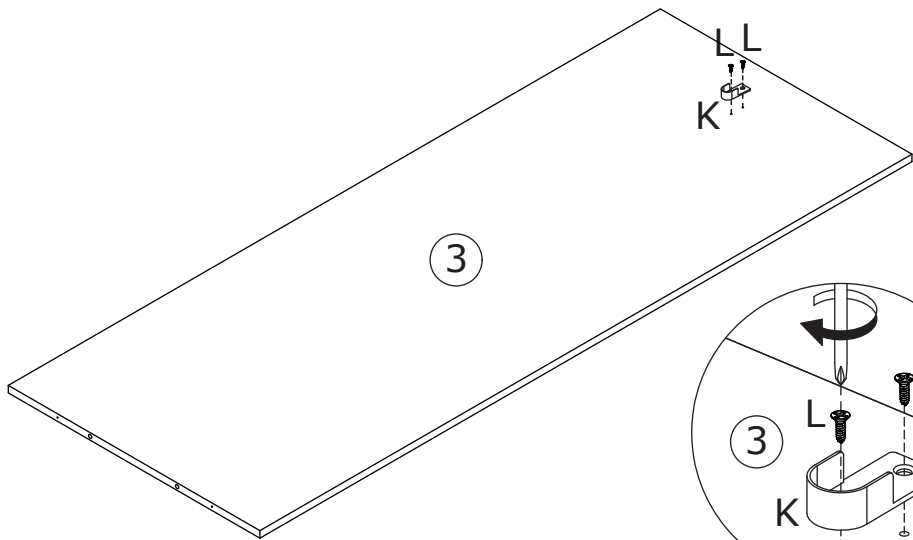
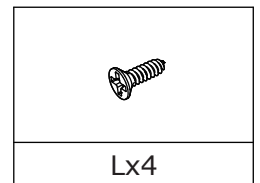
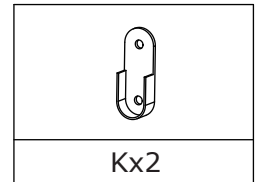
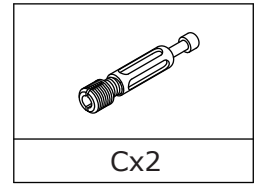
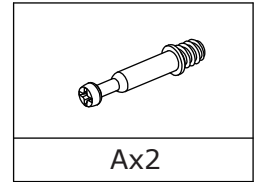
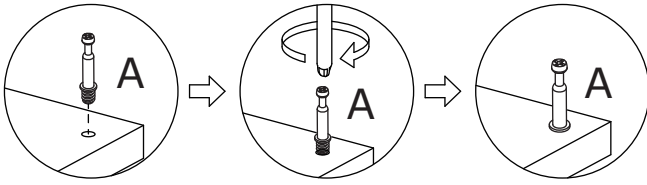
Hardware

			
Cam Bolt	Ø12x10mm Cam Lock	Cam Bolt	Ø15x11.5mm Cam Lock
(A) 18pcs ^{+2pcs}	(B) 18pcs ^{+2pcs}	(C) 22pcs ^{+2pcs}	(D) 22pcs ^{+2pcs}
			
Ø6x30mm Dowel	Ø8x40mm Dowel	M5x40mm Screw	
(E) 20pcs ^{+2pcs}	(F) 14pcs ^{+2pcs}	(G) 10pcs	(H) 2pcs
			
M4x18mm Screw		M3x12mm Screw	M2.5x12mm Screw
(J) 4pcs	(K) 2pcs	(L) 24pcs ^{+2pcs}	(M) 31pcs ^{+2pcs}
			
	M4x14mm Screw		
(N) 8pcs	(P) 48pcs ^{+2pcs}	(Q) 1pc	(R) 1pc
			
(S) 2pcs	(T) 40pcs	(U) 1pc	(V) 10pcs
			
(W) 7pcs	(Y) 8pcs		

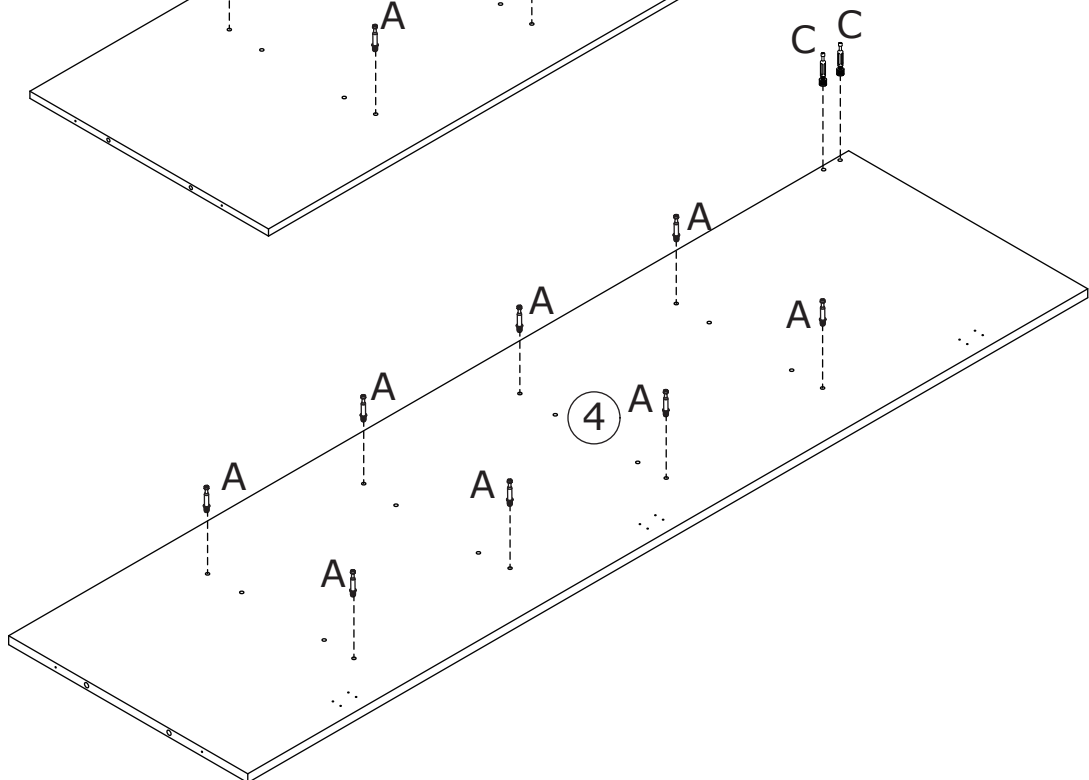
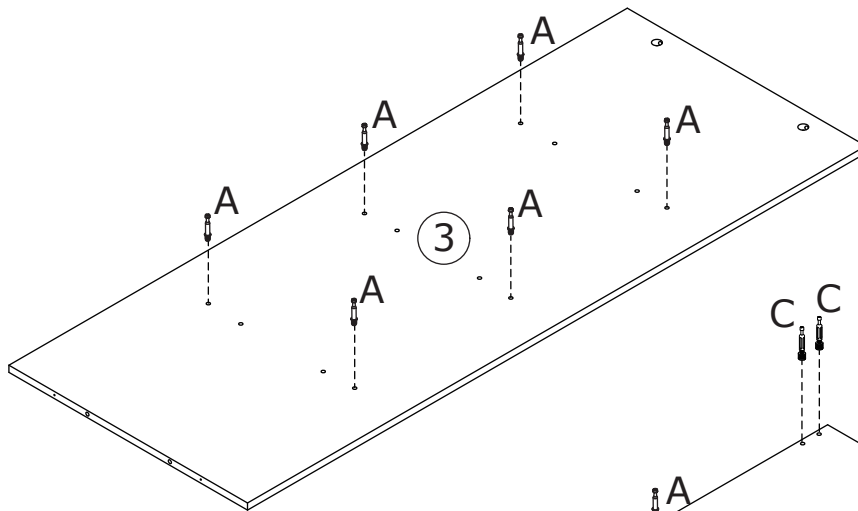
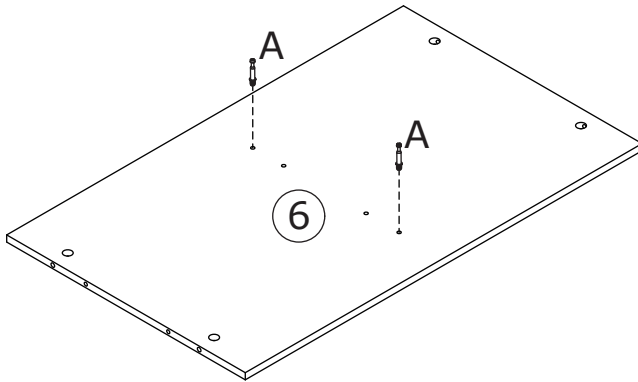
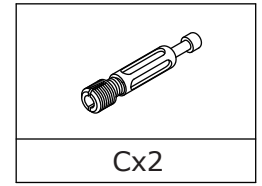
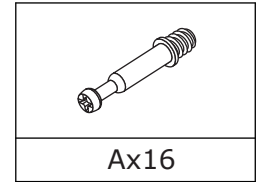
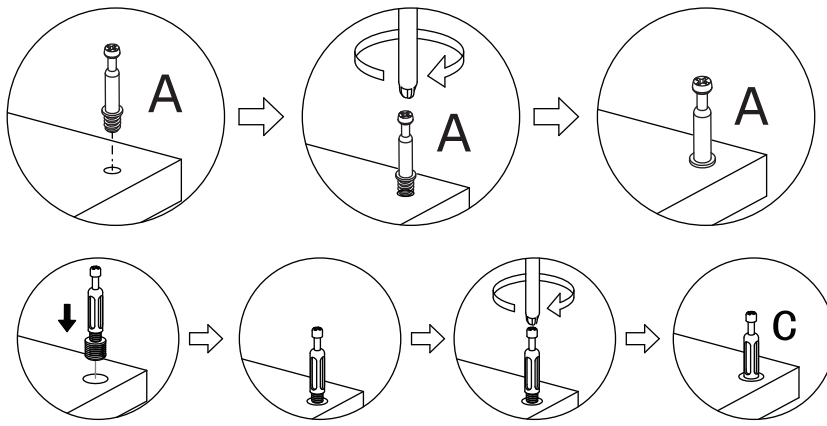


Tips: The number after "+" represents the spare hardware.

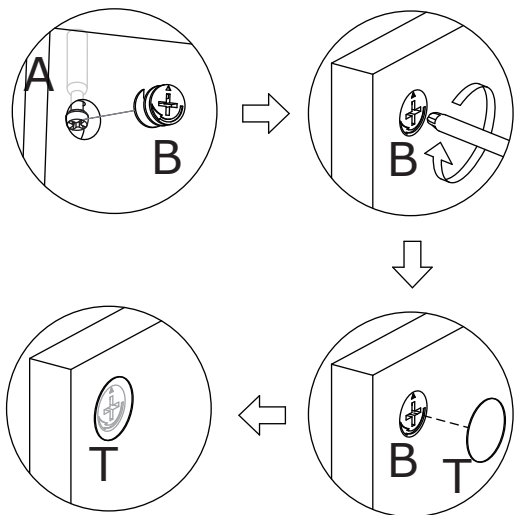
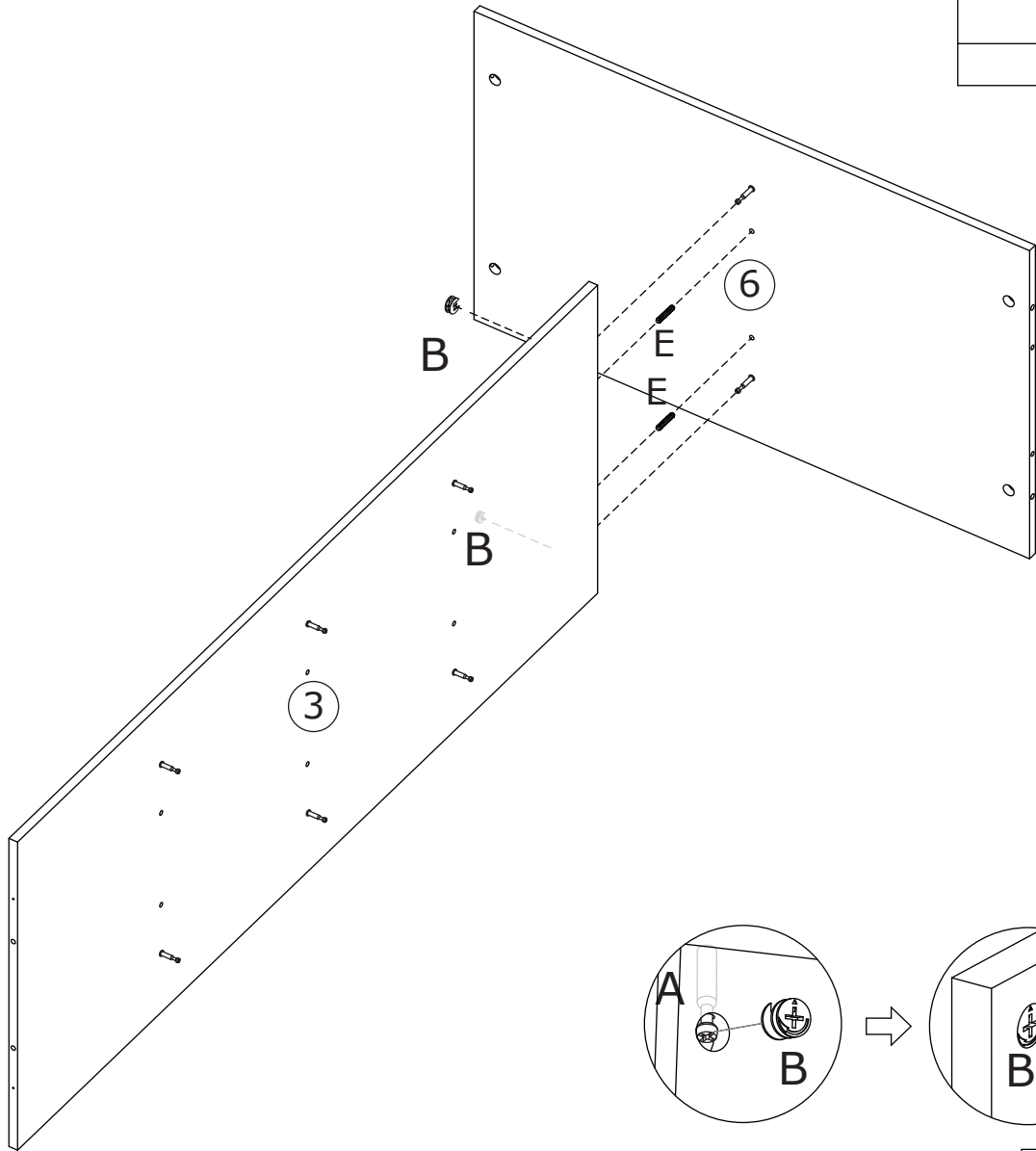
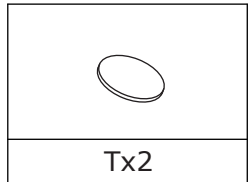
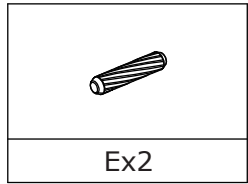
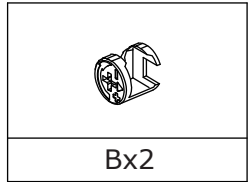
1



2



3



4



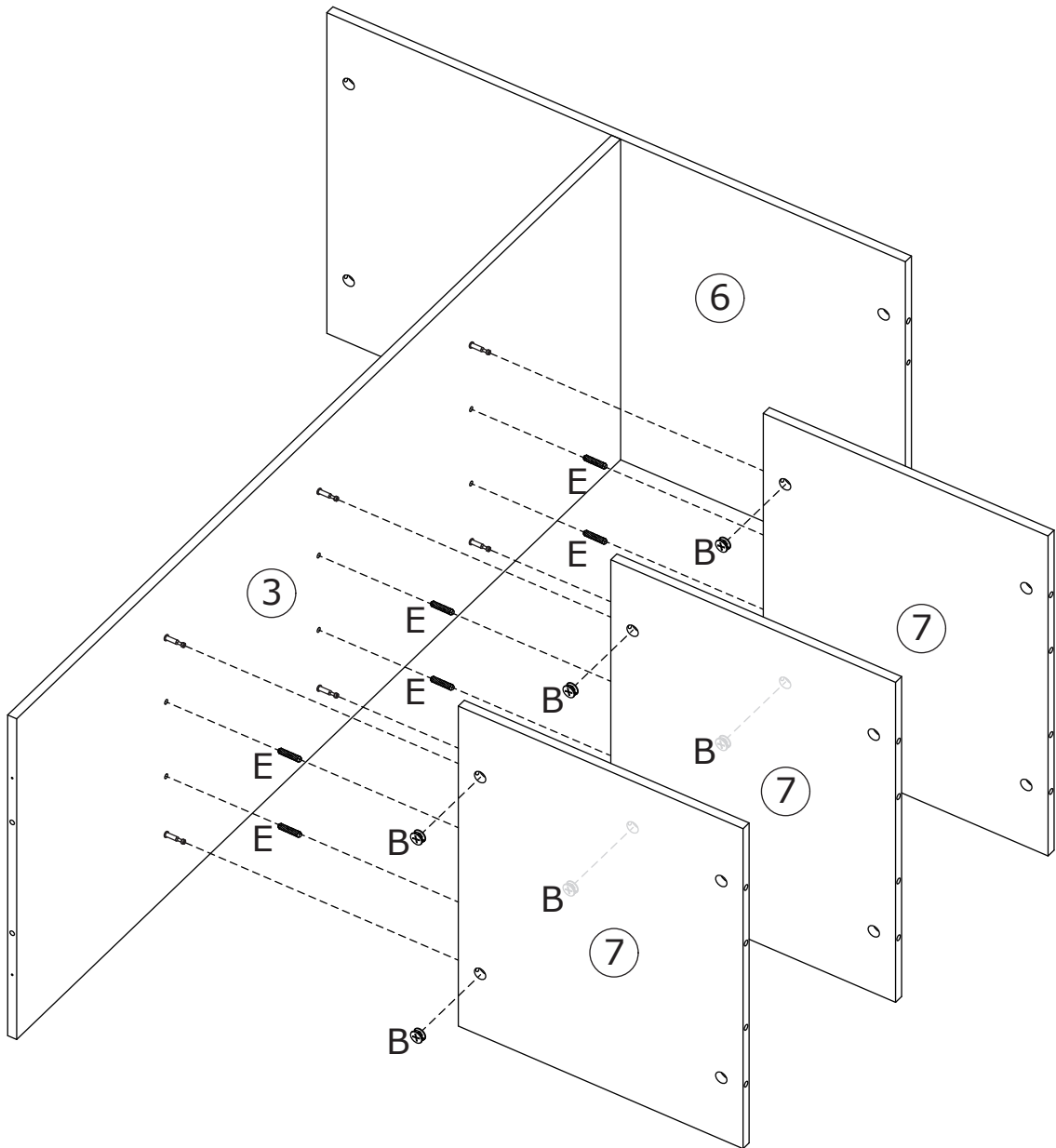
Bx6



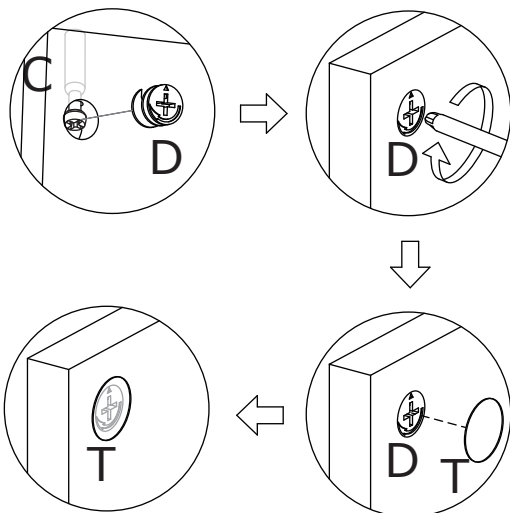
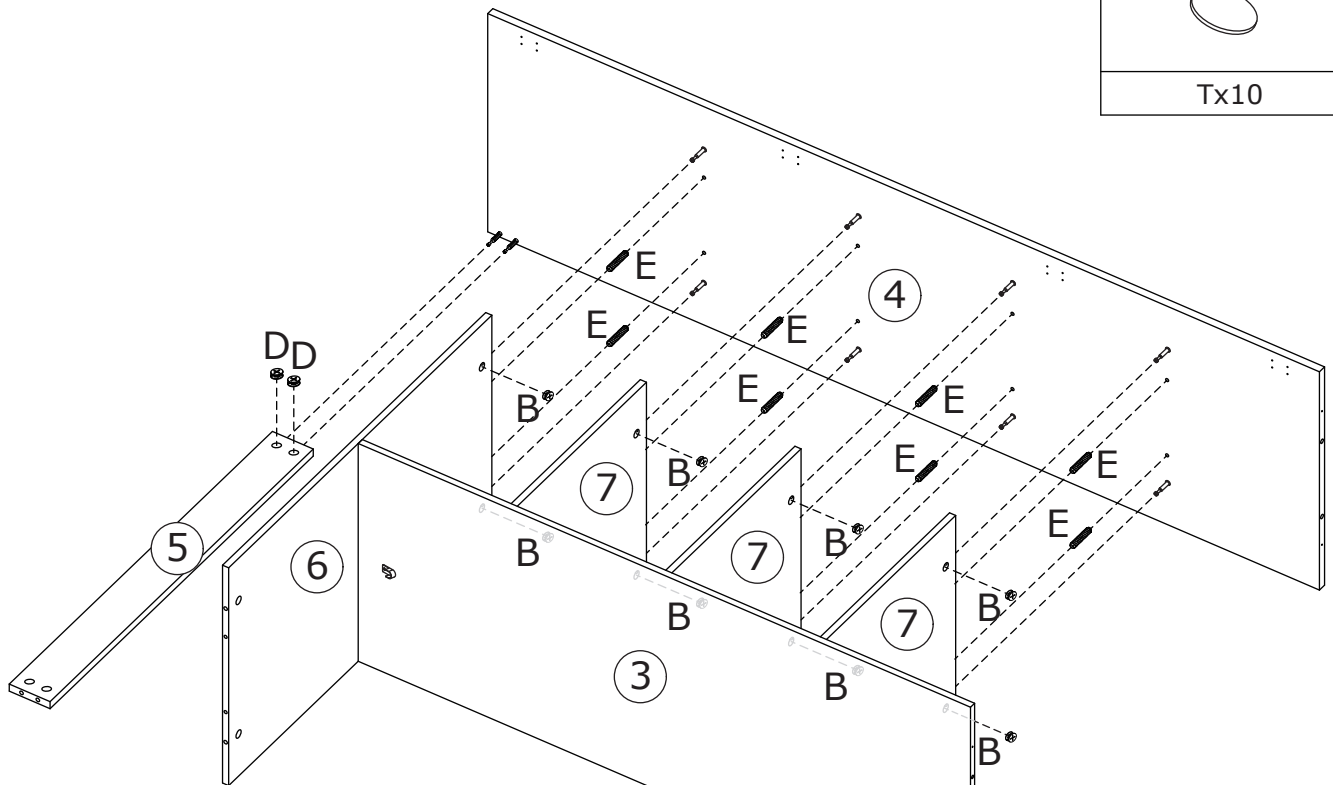
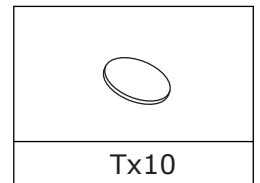
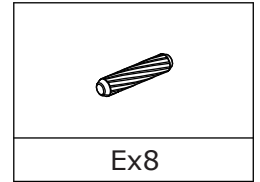
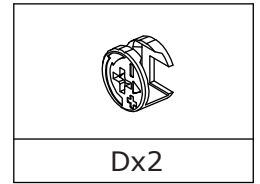
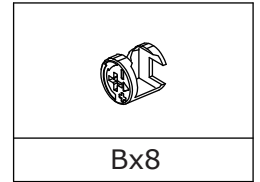
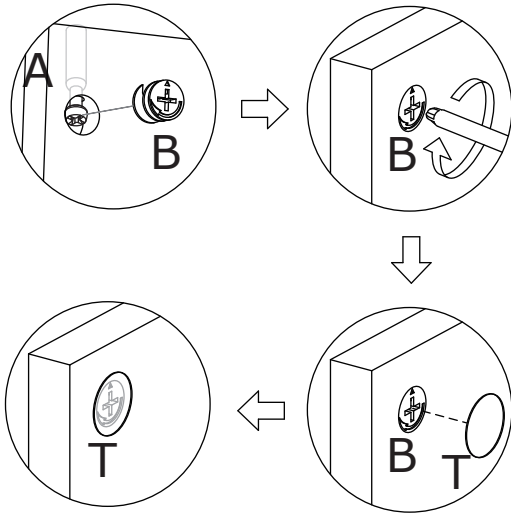
Ex6



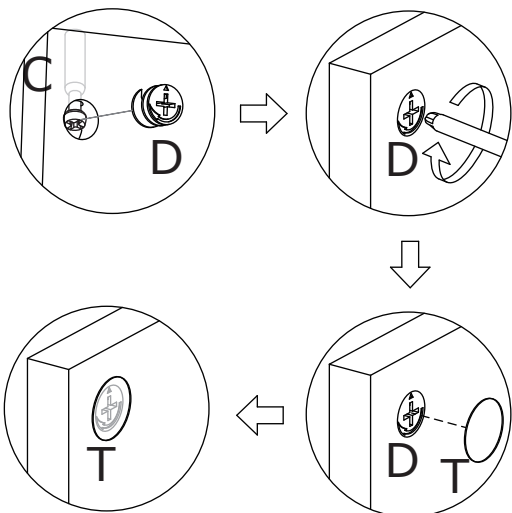
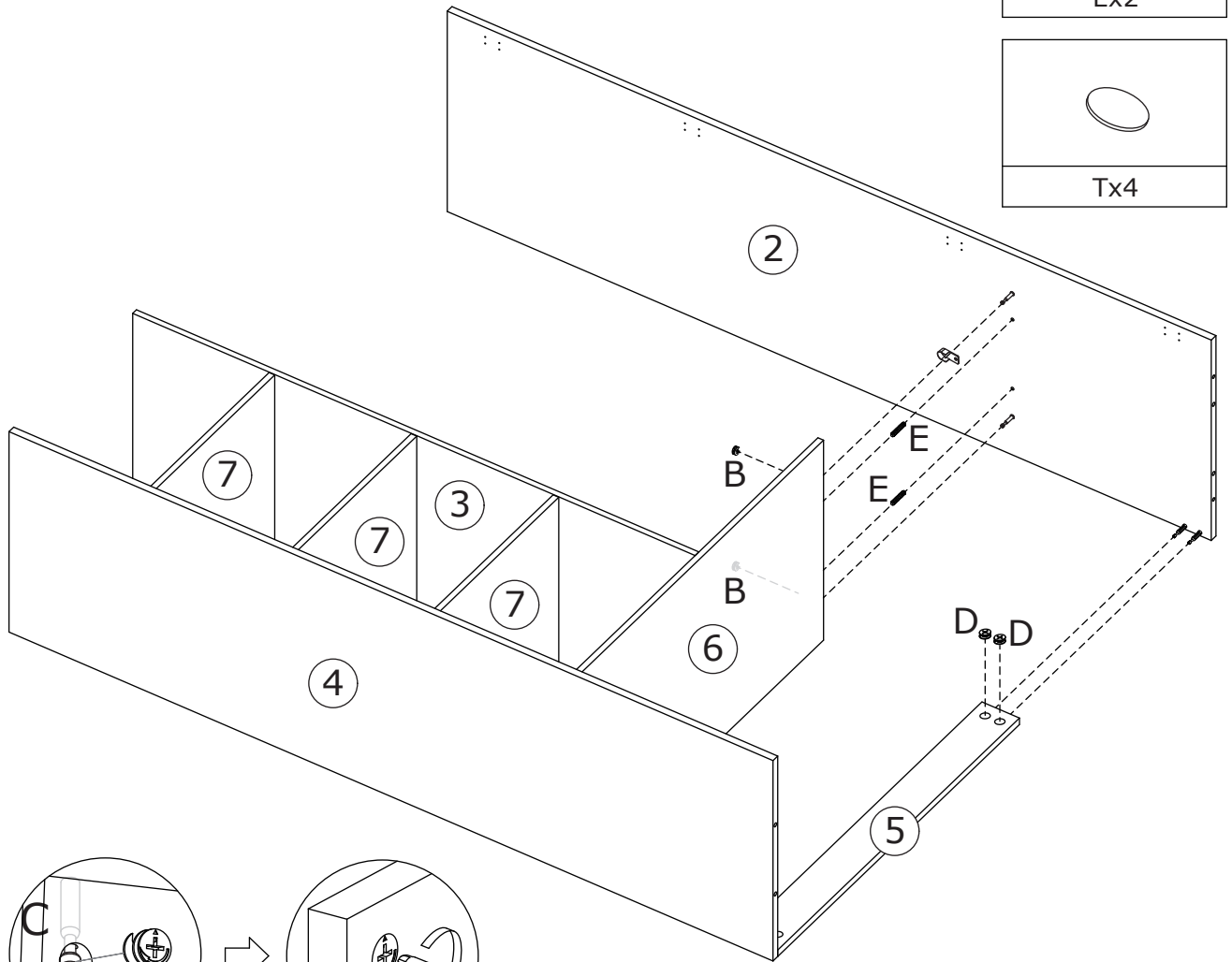
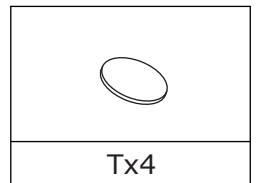
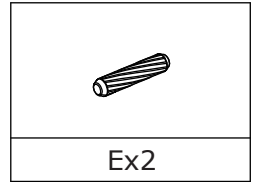
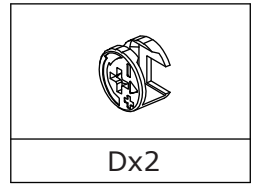
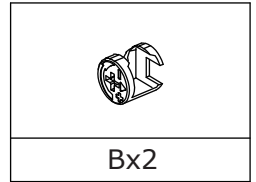
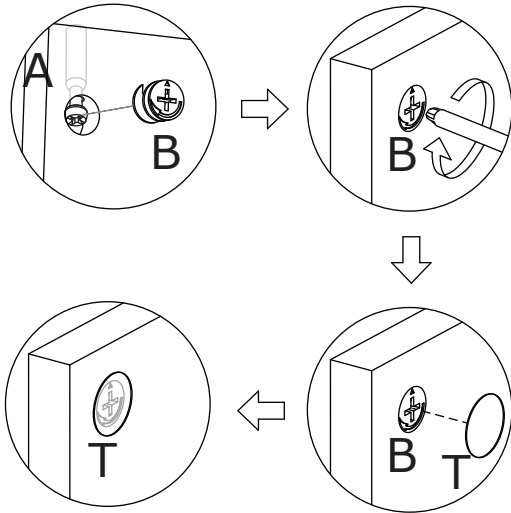
Tx6



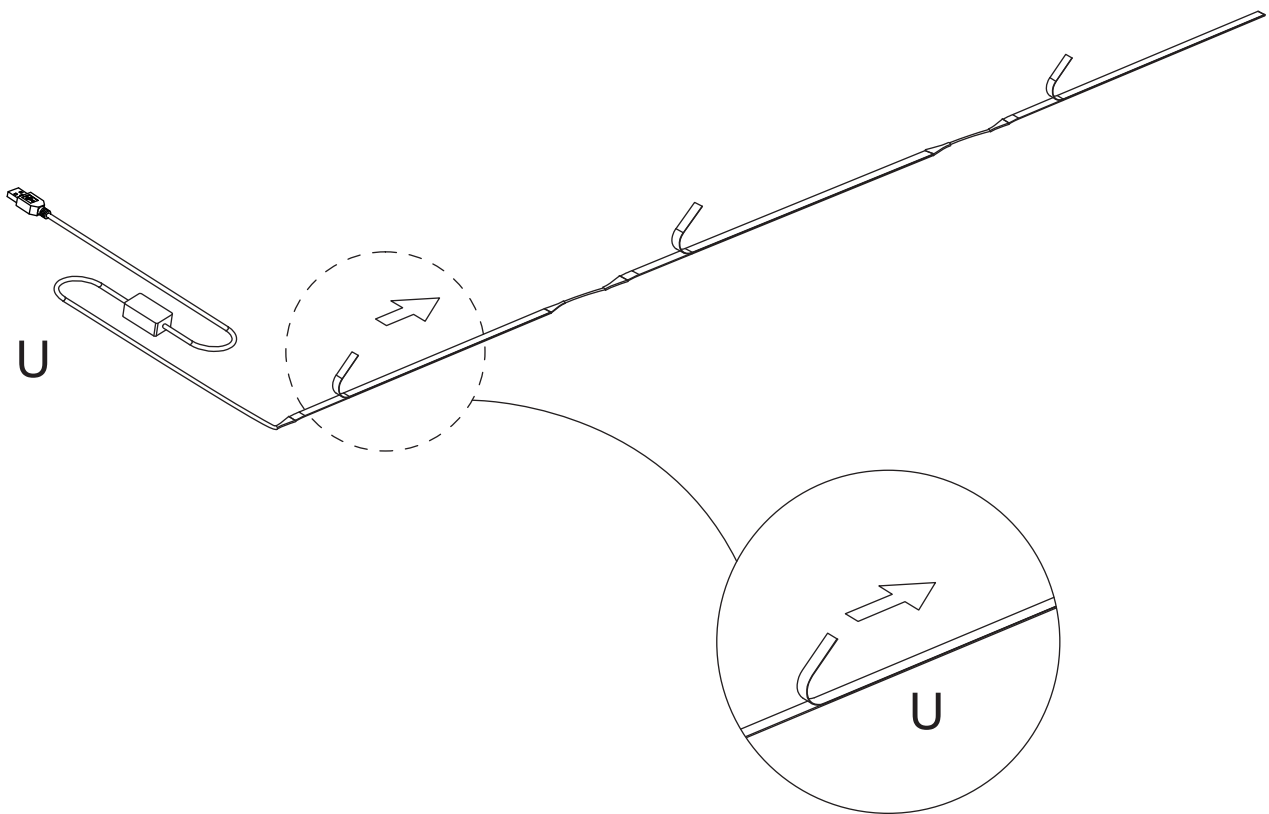
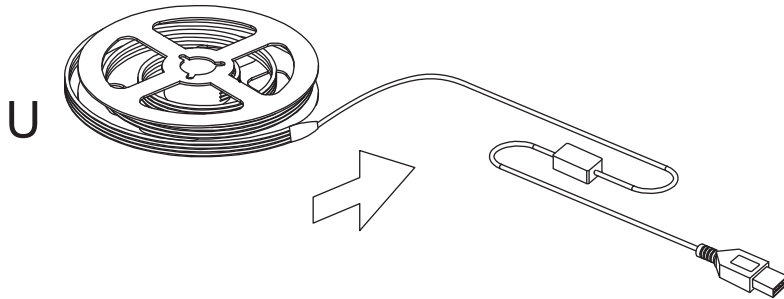
5



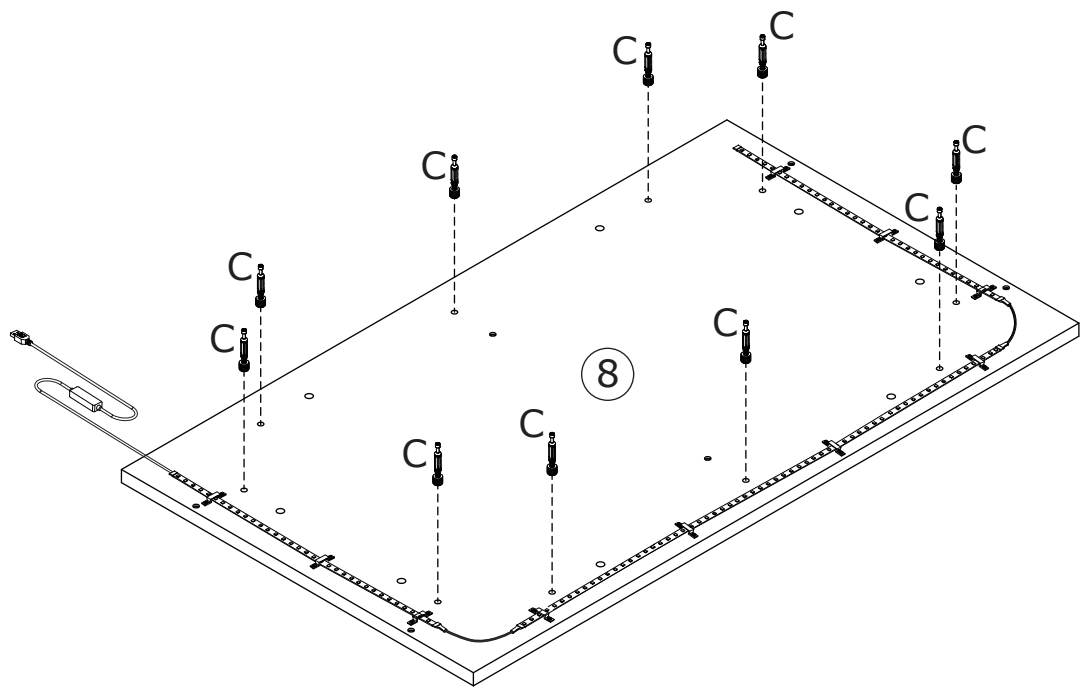
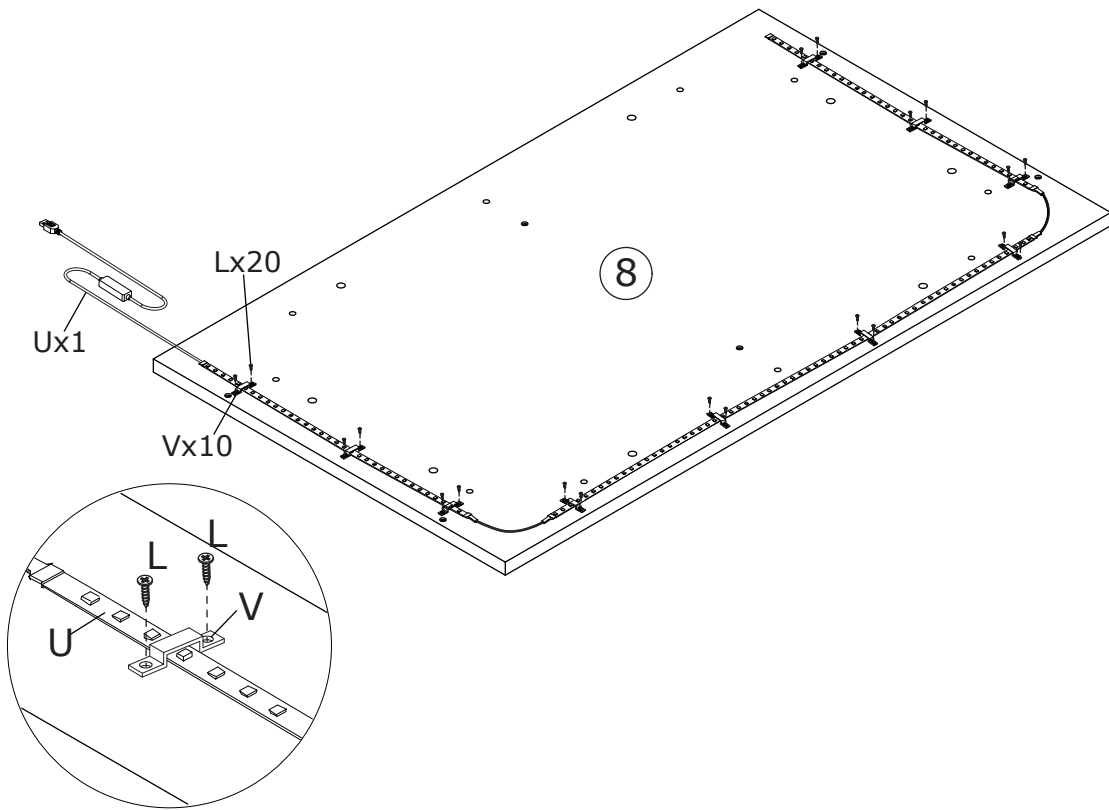
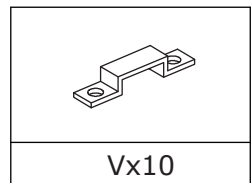
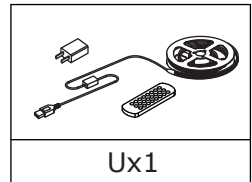
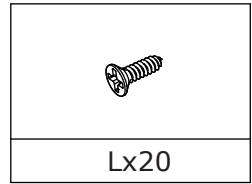
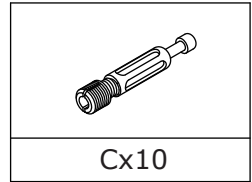
6



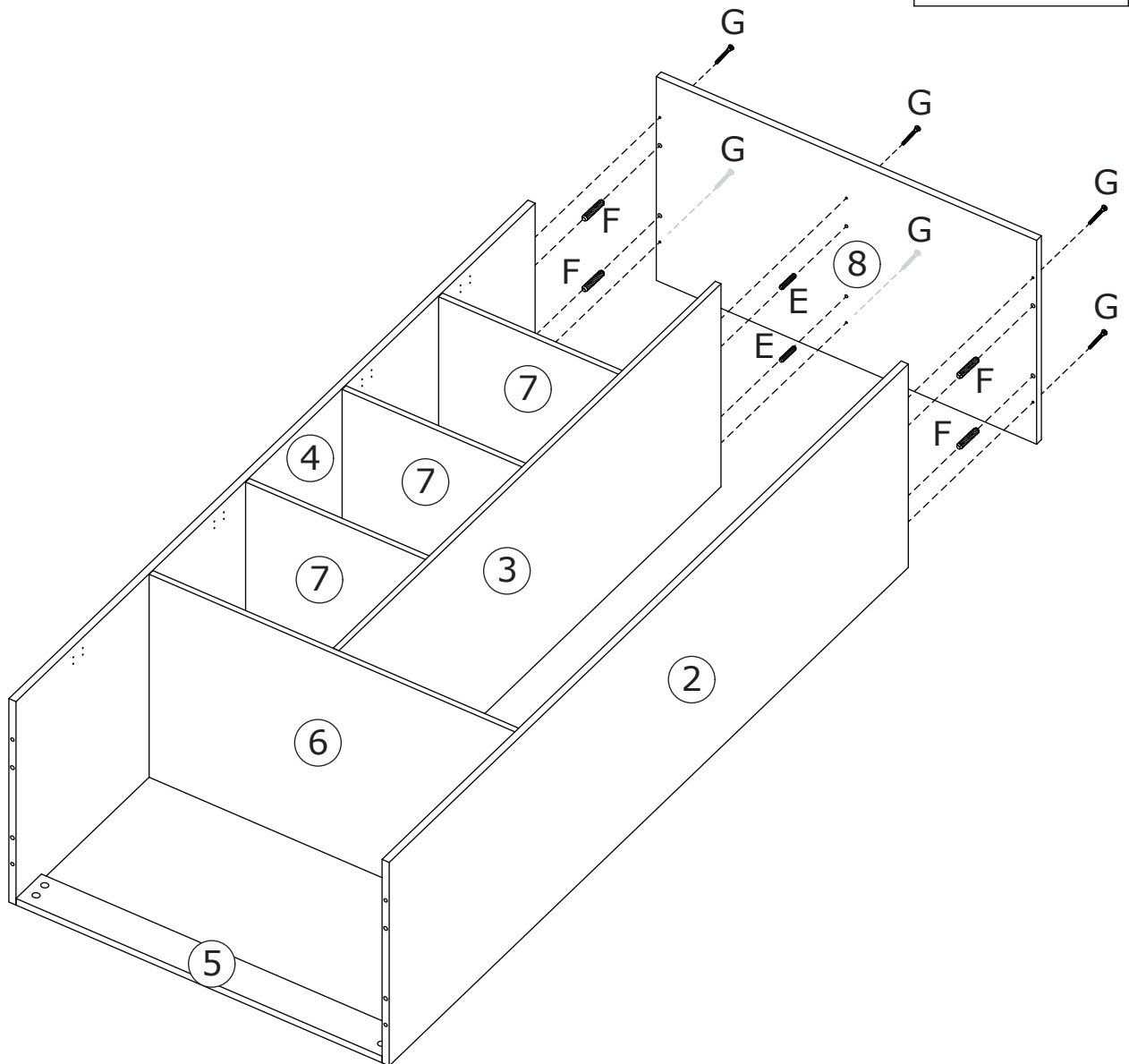
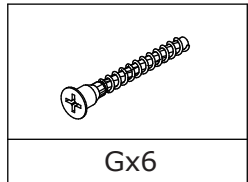
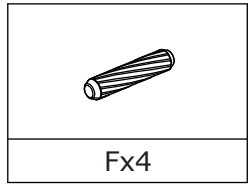
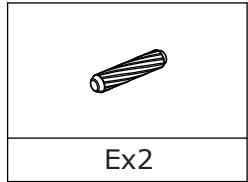
7



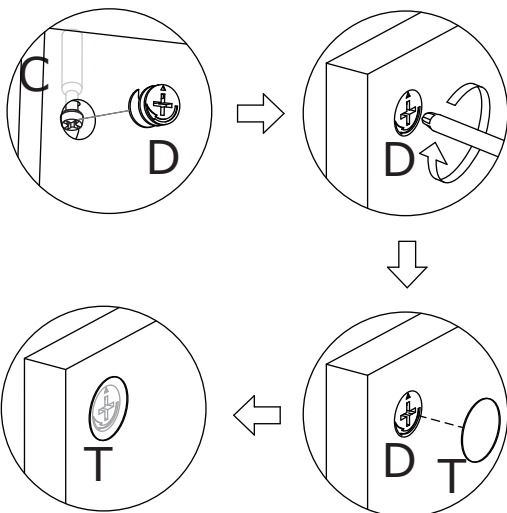
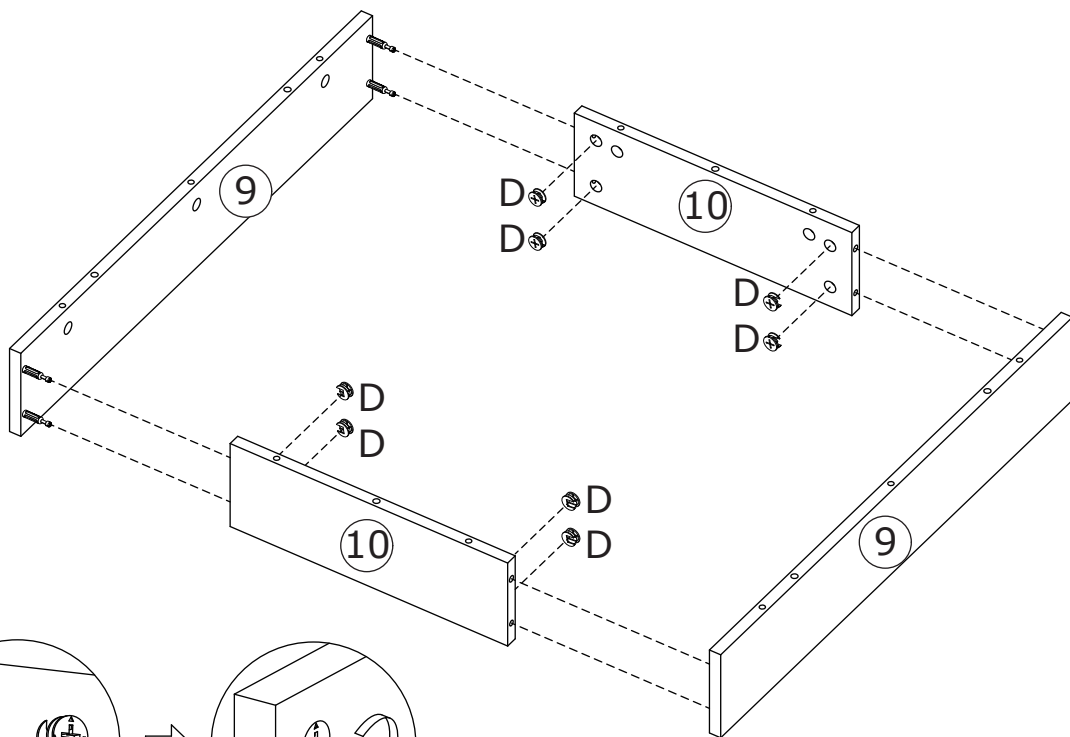
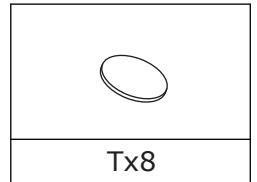
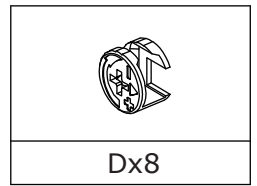
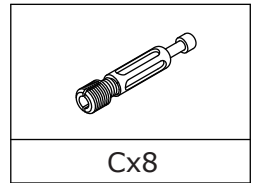
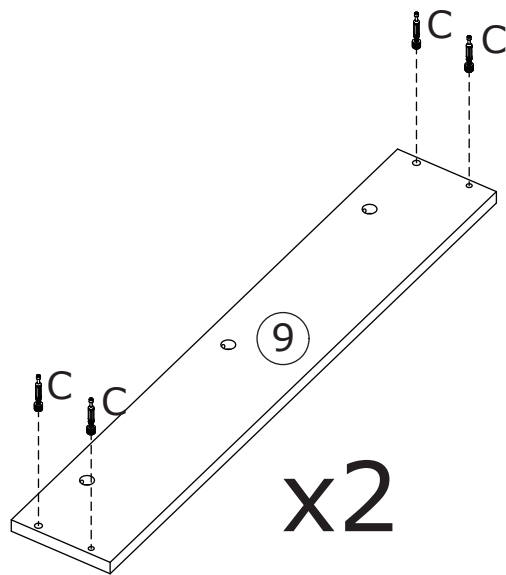
8



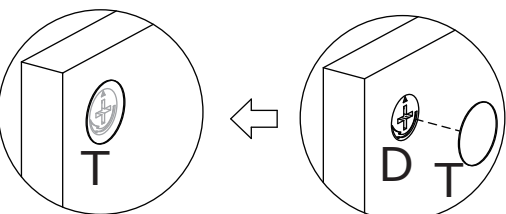
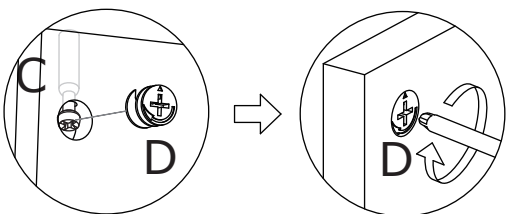
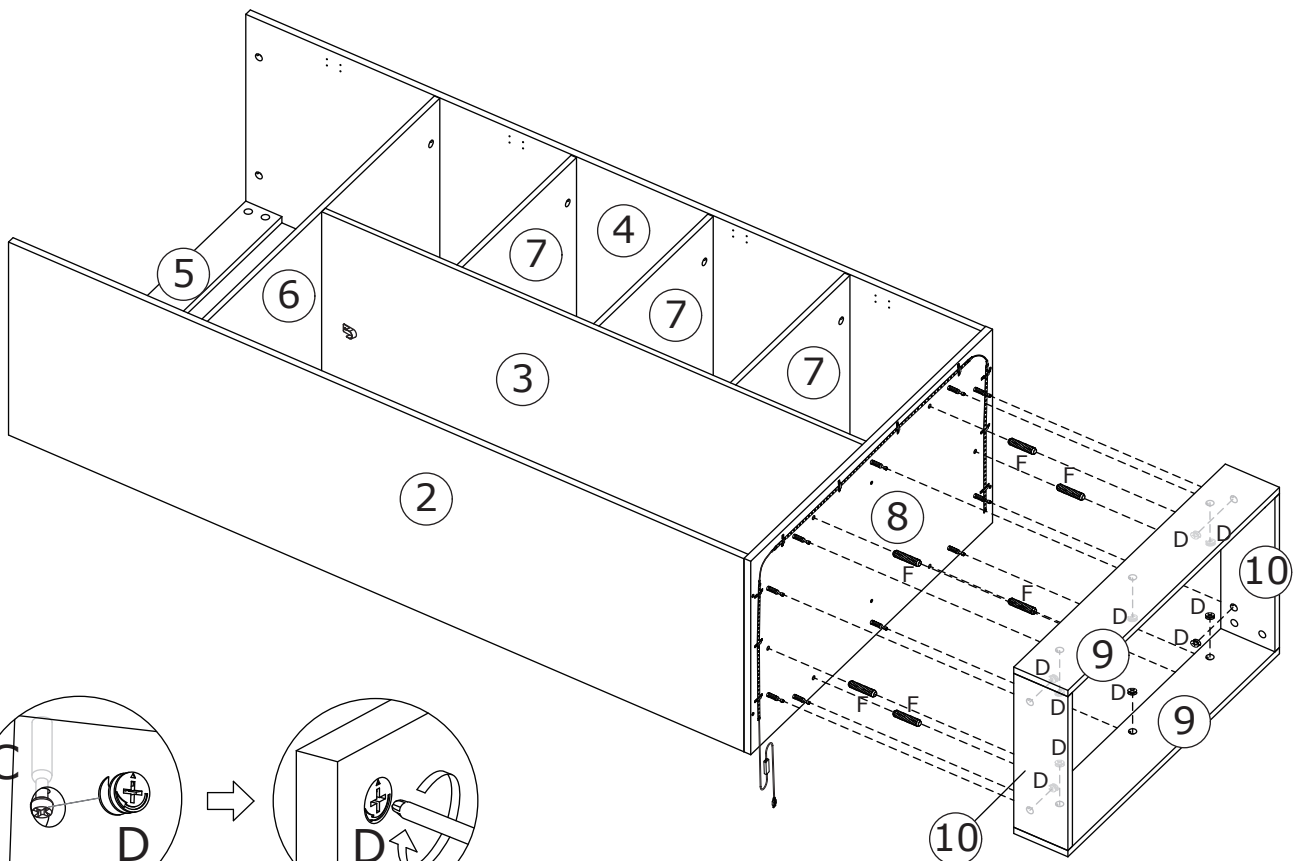
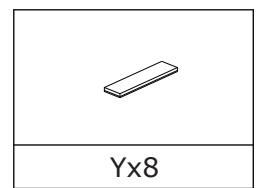
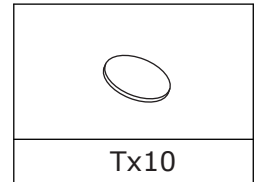
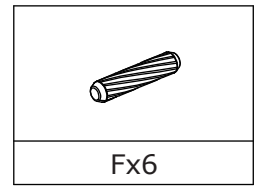
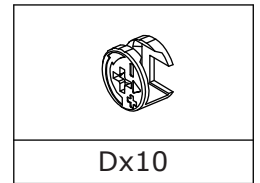
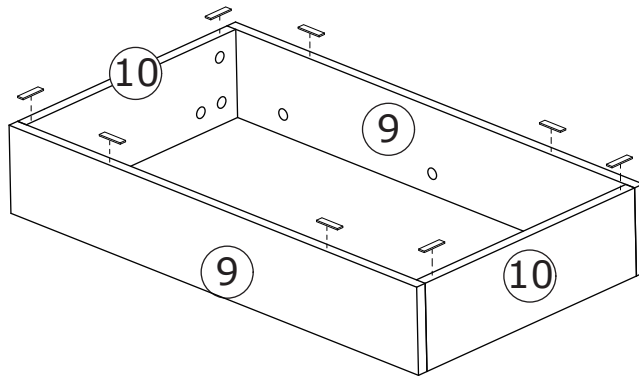
9



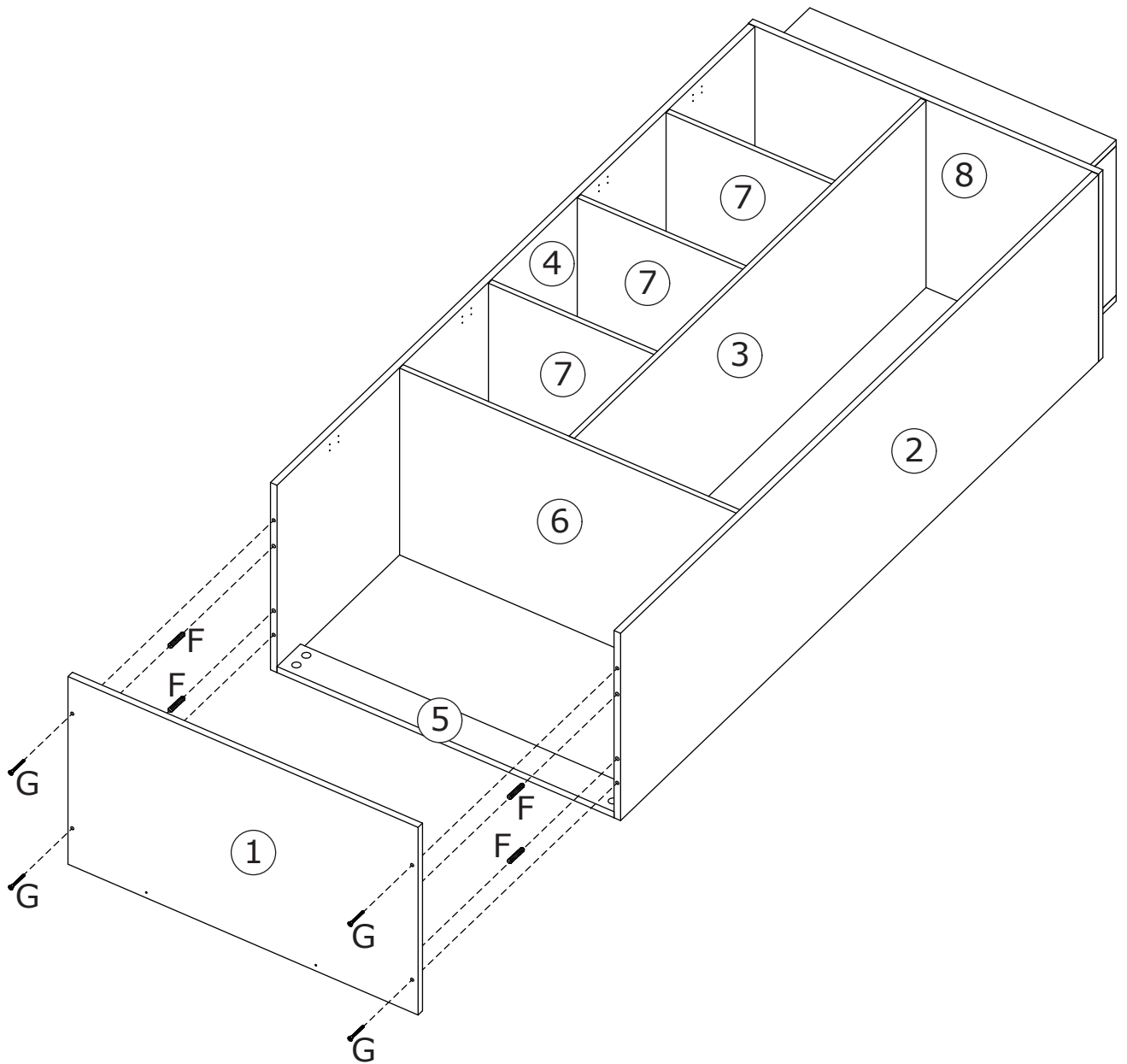
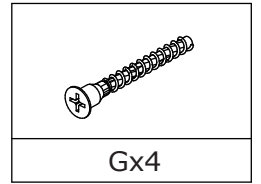
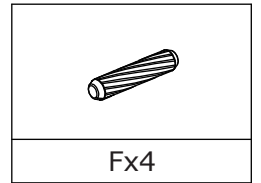
10



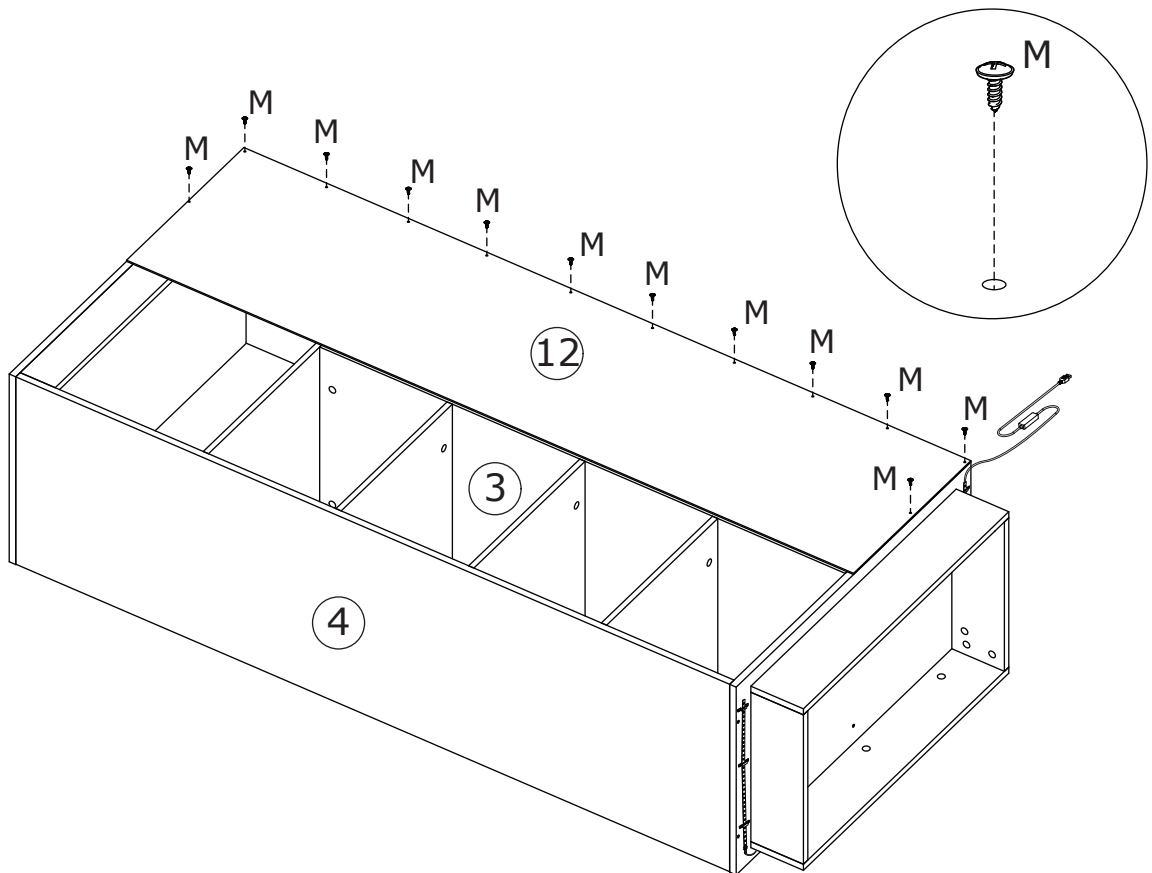
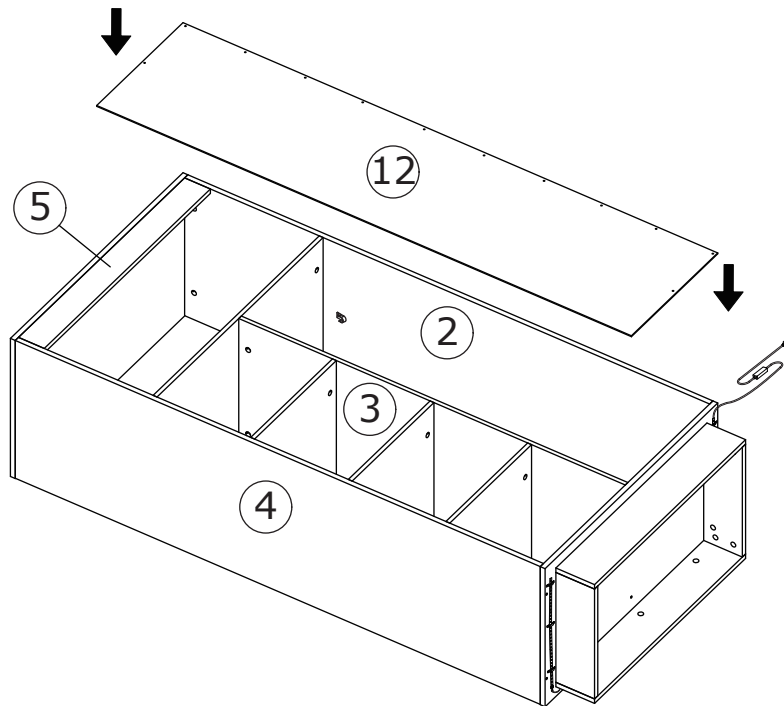
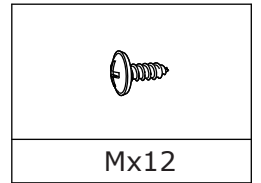
11



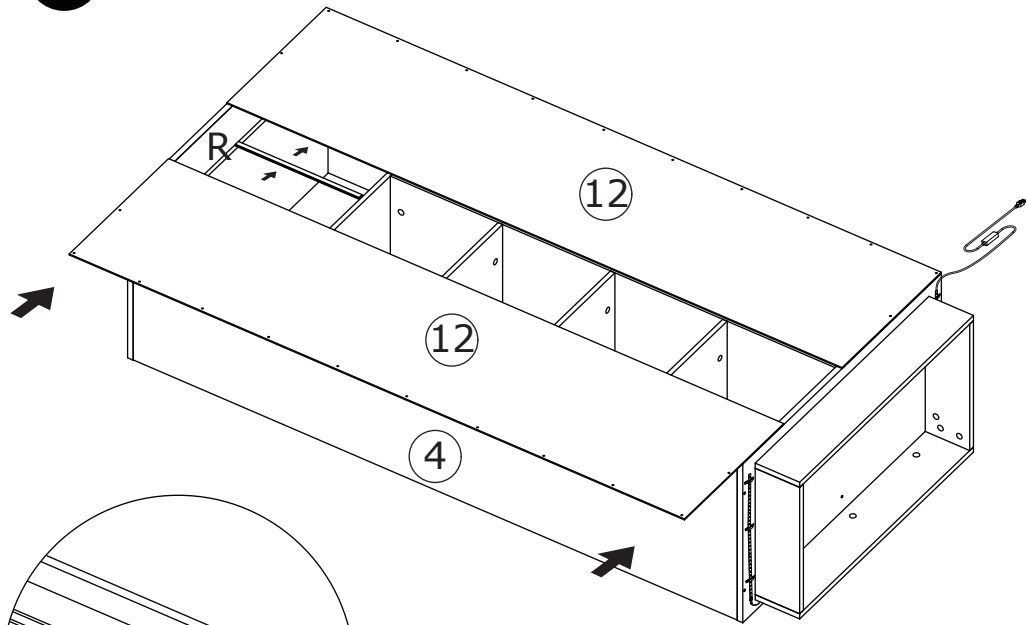
12



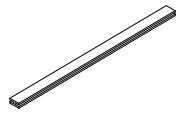


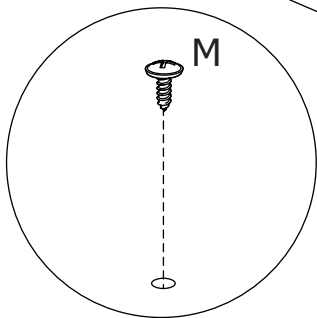
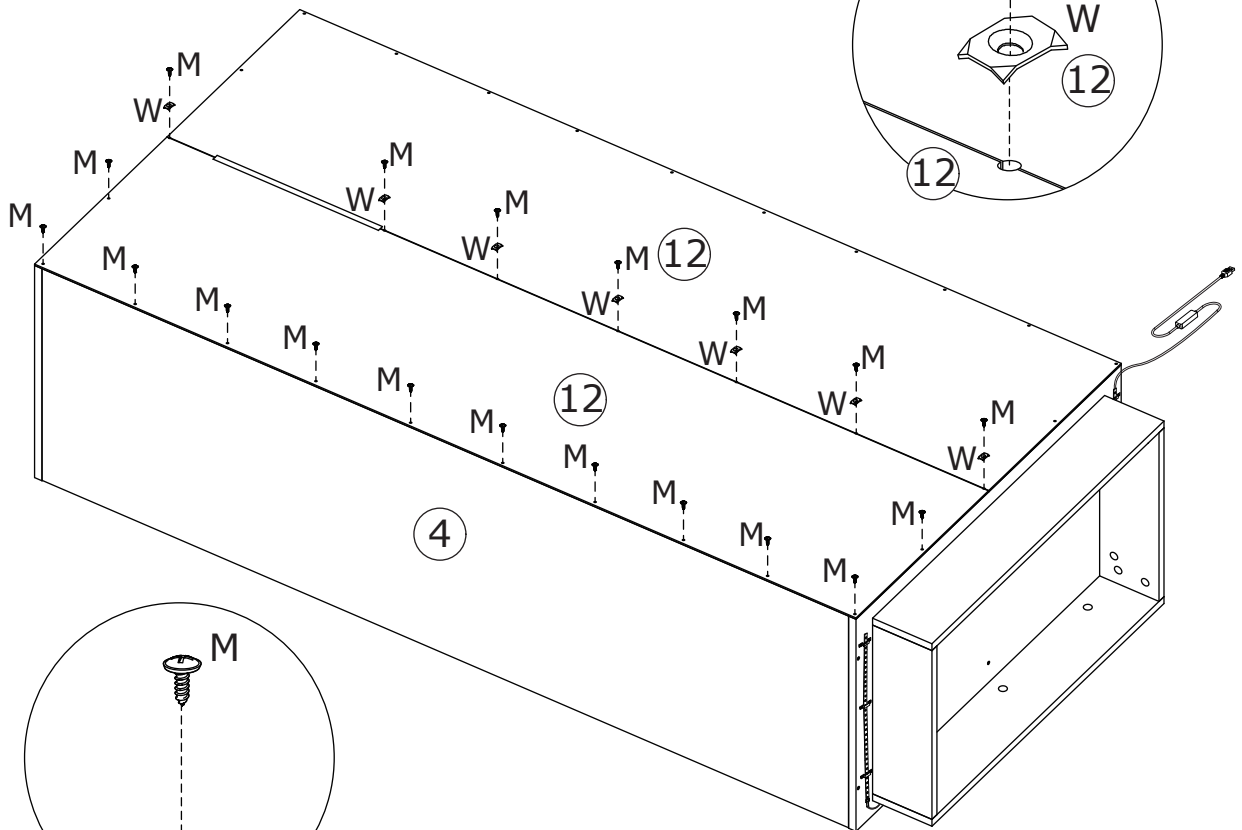
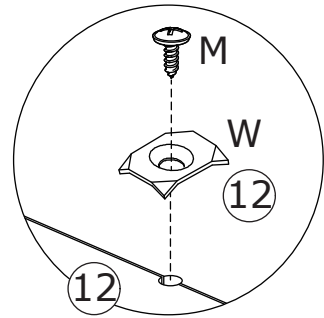
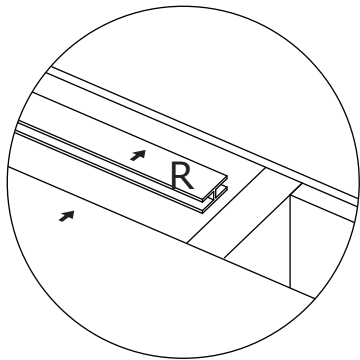
13



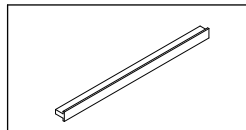
14



- 
Mx19
- 
Wx7
- 
Rx1



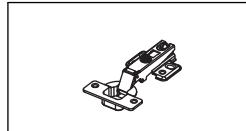
15



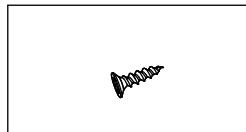
Hx2



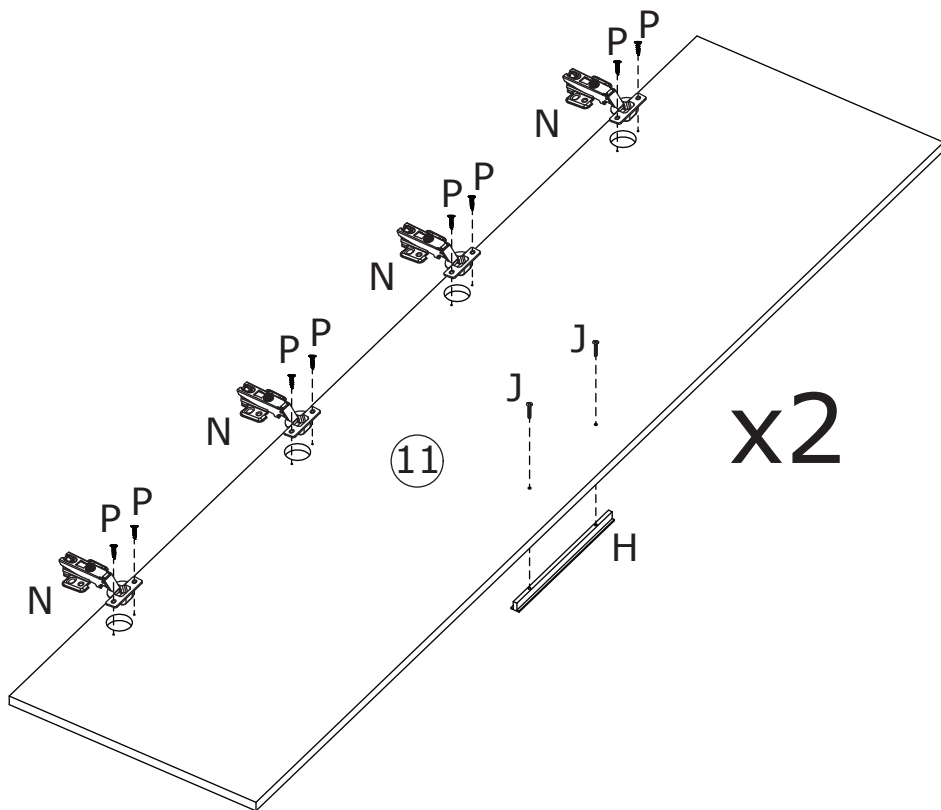
Jx4



Nx8

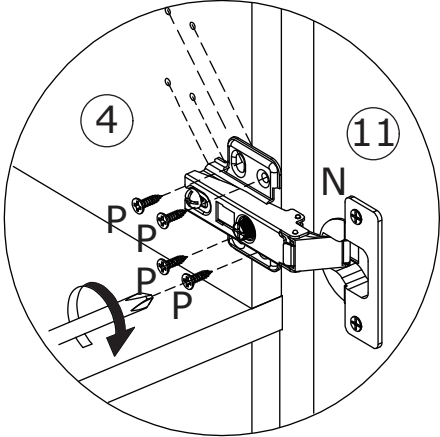
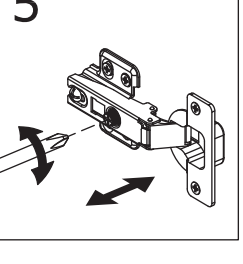
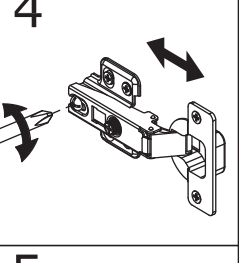
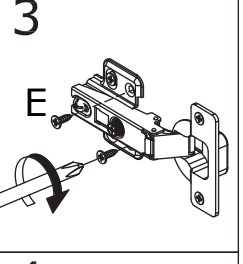
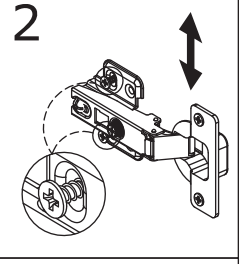
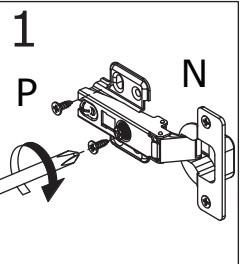
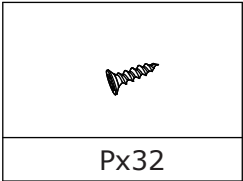
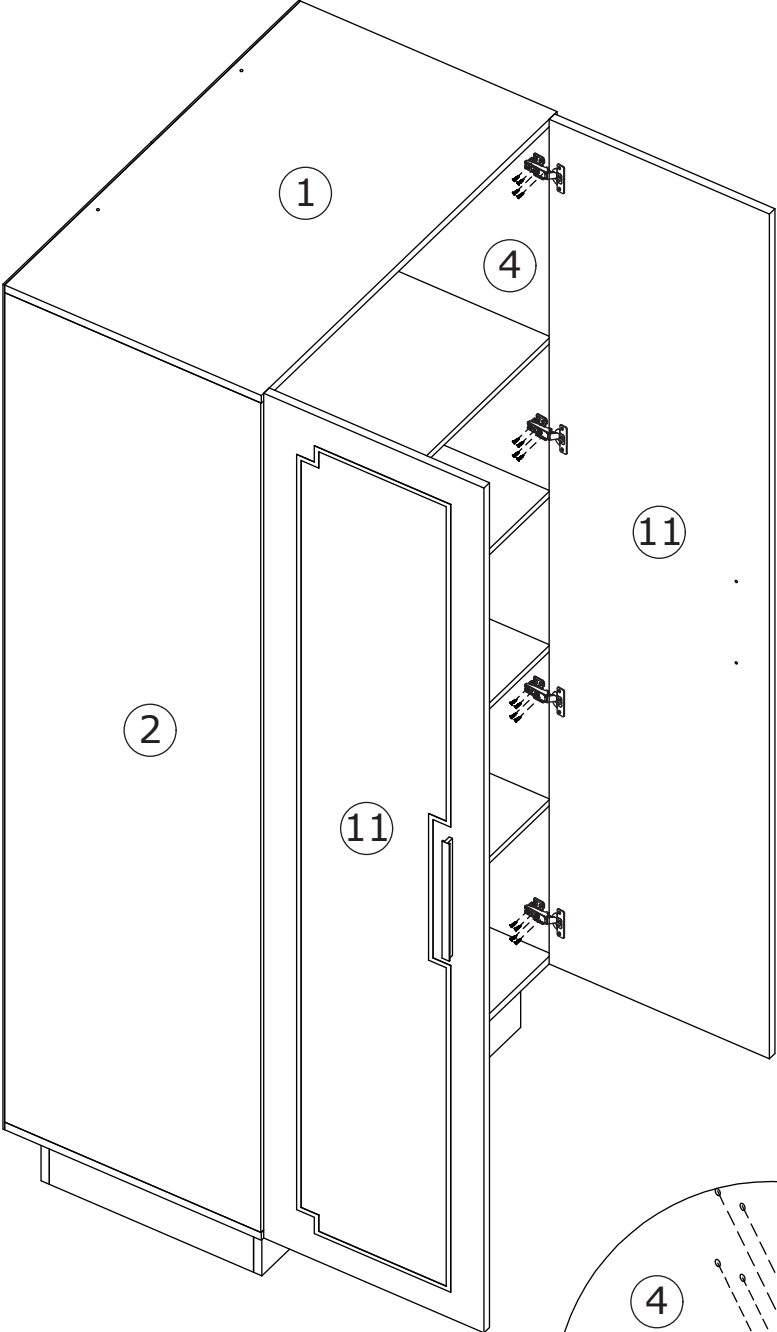


Px16

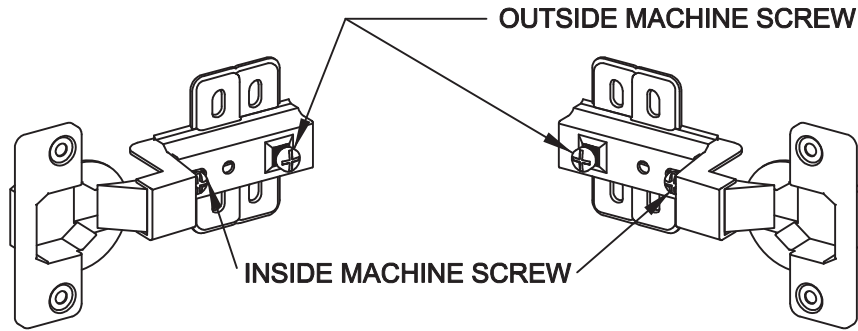


16

Please refer to hinge adjustment supplement next page.



HINGE ADJUSTMENT SUPPLEMENT



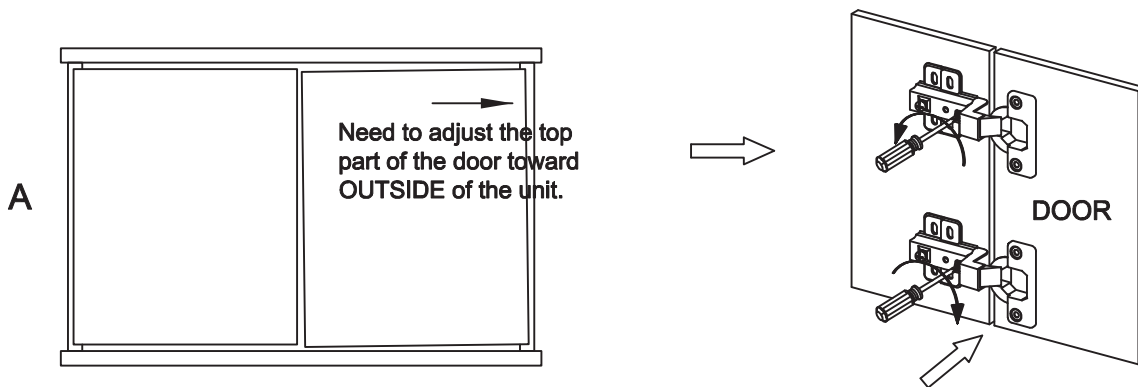
In the event that the door does not align properly, the **INSIDE** Machine Screws located on the Hinges are for adjusting slightly to the Left or Right. **DO NOT LOOSEN THE OUTSIDE MACHINE SCREW FOR ADJUSTMENT.**

A. To adjust the door toward the **OUTSIDE** of the unit, turn the Inside Machine Screws to the **LEFT**, or **COUNTERCLOCKWISE**. (See Figure A)

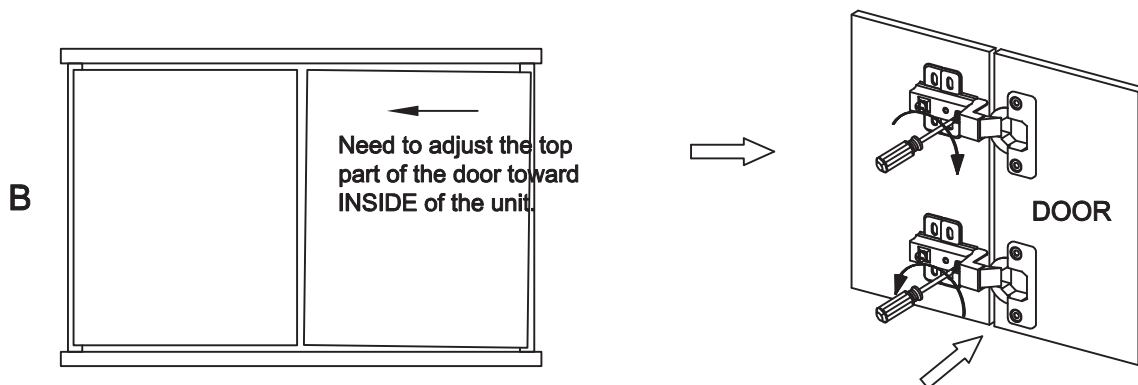
B. To adjust the door toward the **INSIDE** of the unit, turn the Inside Machine Screws to the **RIGHT**, or **CLOCKWISE**. (See Figure B)

***Note: Please be patient, it may take several minutes to adjust properly.**

Only once the door is in the desired position, fully tighten the **OUTSIDE** Machine Screws. This will ensure that the door is secure.

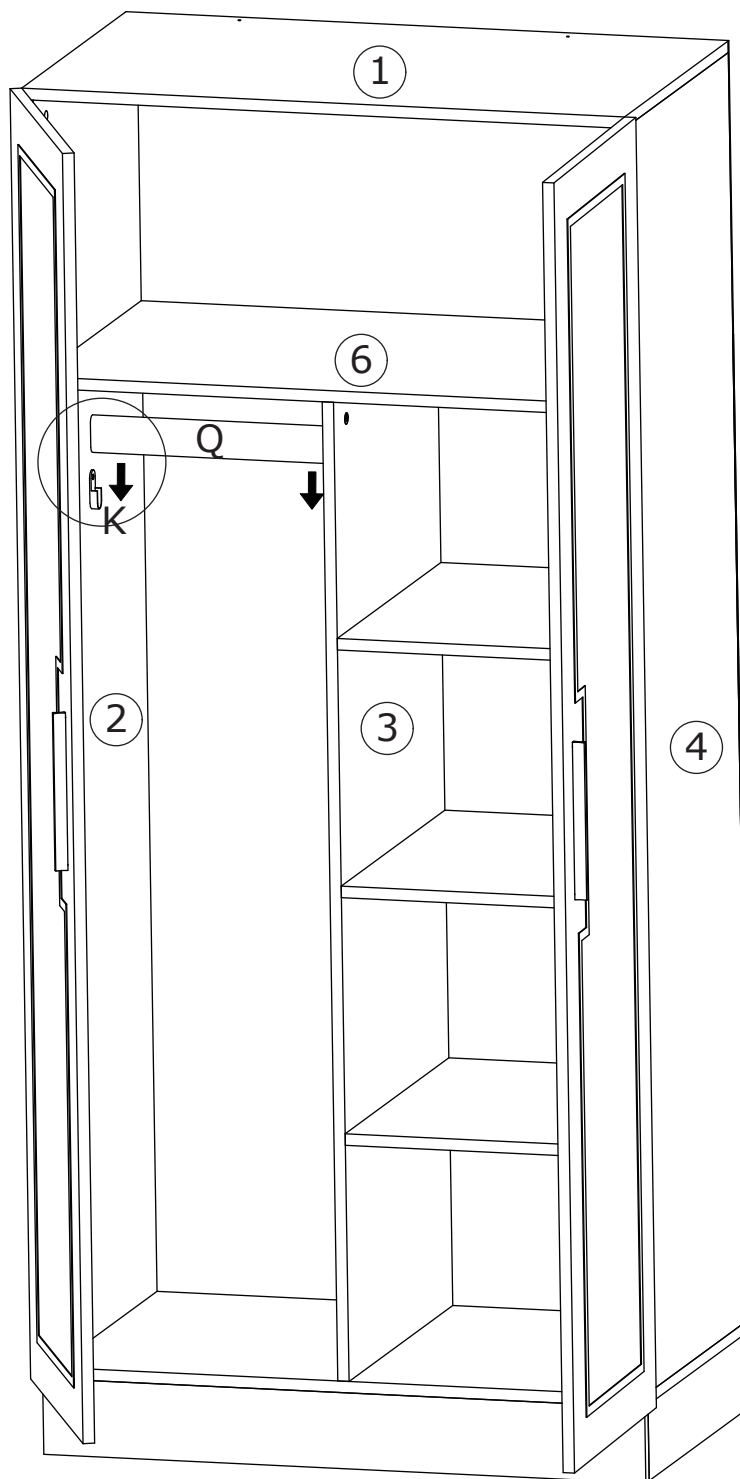
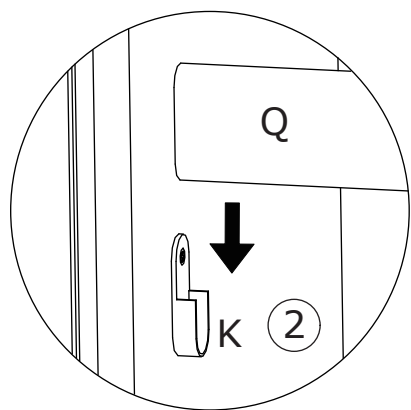
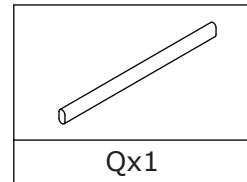


You may also need to adjust slightly the lower part of the door toward **INSIDE** of the unit at the same time.



You may also need to adjust slightly the lower part of the door toward **OUTSIDE** of the unit at the same time.

17



18

Attention: For safety and stability, we suggest you have to secure the anti-tip accessories to the wall to prevent tipping, injury, and property damage.

