

Assembly Instructions - Please keep for future reference

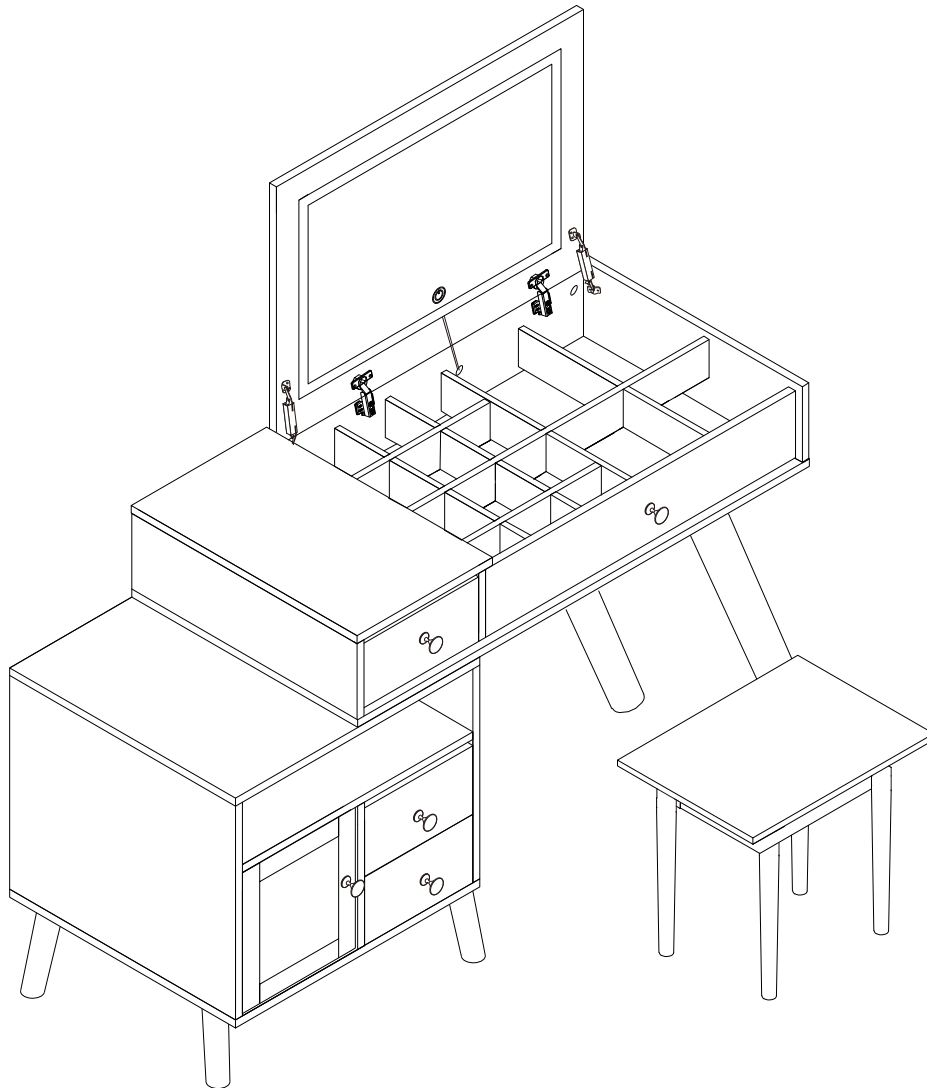


Table Dimensions

Width-51inch
Depth-19.75inch
Height-29.75inch

Bench Dimensions

Width-16inch
Depth-12.25inch
Height-17.5inch

Important - Please read these instructions fully before starting assembly



Safety and Care Advice

Important – Please read these instructions fully before starting assembly

- Check you have all the components and tools listed on the following pages.
- Remove all fittings from the plastic bags and separate them into their groups.
- Keep children and animals away from the work area, small parts could choke if swallowed.
- Make sure you have enough space to layout the parts before starting.

- During assembly do not stand or put weight on the product, this could cause damage.
- Assemble the item as close to its final position (in the same room) as possible.
- Assemble on a soft level surface to avoid damaging the unit or your floor.
- Parts of the assembly will be easier with 2 people.



- To reduce the likelihood of damaging your product please ensure that your power drill is set on a low torque setting.

Care and maintenance

- Only clean using a damp cloth and mild detergent, do not use bleach or abrasive cleaners.
- From time to time check that there are no loose screws on this unit.
- This product should not be discarded with household waste. Take to your local authority waste disposal centre.

Handy Hints

- Assemble all parts and bolts loosely during assembly, only once the product is complete should you fully tighten the bolts
- Regularly check and ensure That all bolts and fittings are tightened properly.

WARNING

In order to help prevent overturning – please follow these instructions

To help prevent product toppling over please follow the below steps:-

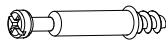



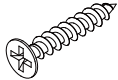

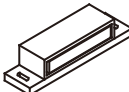
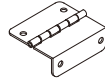

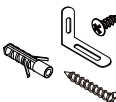
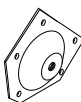
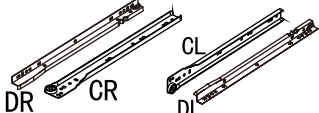


Use the anti tip strap or wall fixing method provided (if applicable)
Do not allow children to climb or hang on the furniture
Do not open more than one drawer at a time
Do not place heavy items in the top drawers
Do not place heavy items on top of the furniture, unless the furniture has been designed for this purpose

Please note that only the anti tip strap is provided.
You will need to provide wall plugs and screws applicable for your wall type

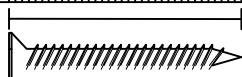
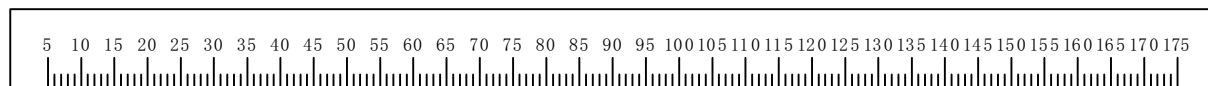
Components - Fittings

Please check you have all the panels listed below

Note: The quantitie below are the correct amount to complete the assembly. In some cases more fittings maybe supplied than are required.

<p>(A)</p>  <p>x30</p>	<p>(B)</p>  <p>x30</p>
<p>(C)</p>  <p>x24</p>	<p>(D)</p>  <p>M3. 5x12mm x45</p>
<p>(E)</p>  <p>M4x35mm x30</p>	<p>(F)</p>  <p>x5</p>
<p>(G)</p>  <p>x1</p>	<p>(H)</p>  <p>x2</p>
<p>(J)</p>  <p>M3x14mm x2</p>	<p>(K)</p>  <p>x2</p>
<p>(L)</p>  <p>x4</p>	<p>(M)</p>  <p>x3</p>
<p>(N)</p>  <p>M4x12mm x38</p>	<p>(O)</p>  <p>x1</p>

Ruler - Use this ruler to help correctly identify the screws

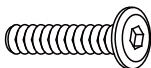
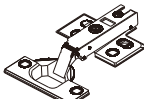


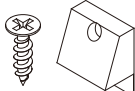

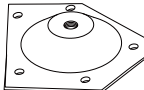

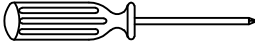


The screws length is measured from the head to the point (35mm screw shown).

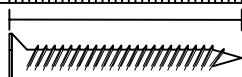
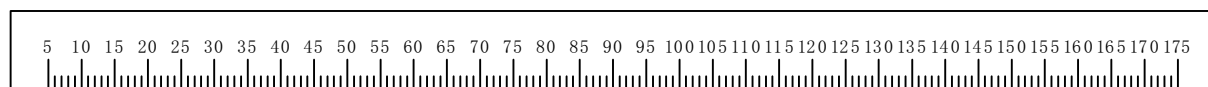
Components - Fittings

Please check you have all the panels listed below

Note: The quantities below are the correct amount to complete the assembly. In some cases more fittings may be supplied than are required.

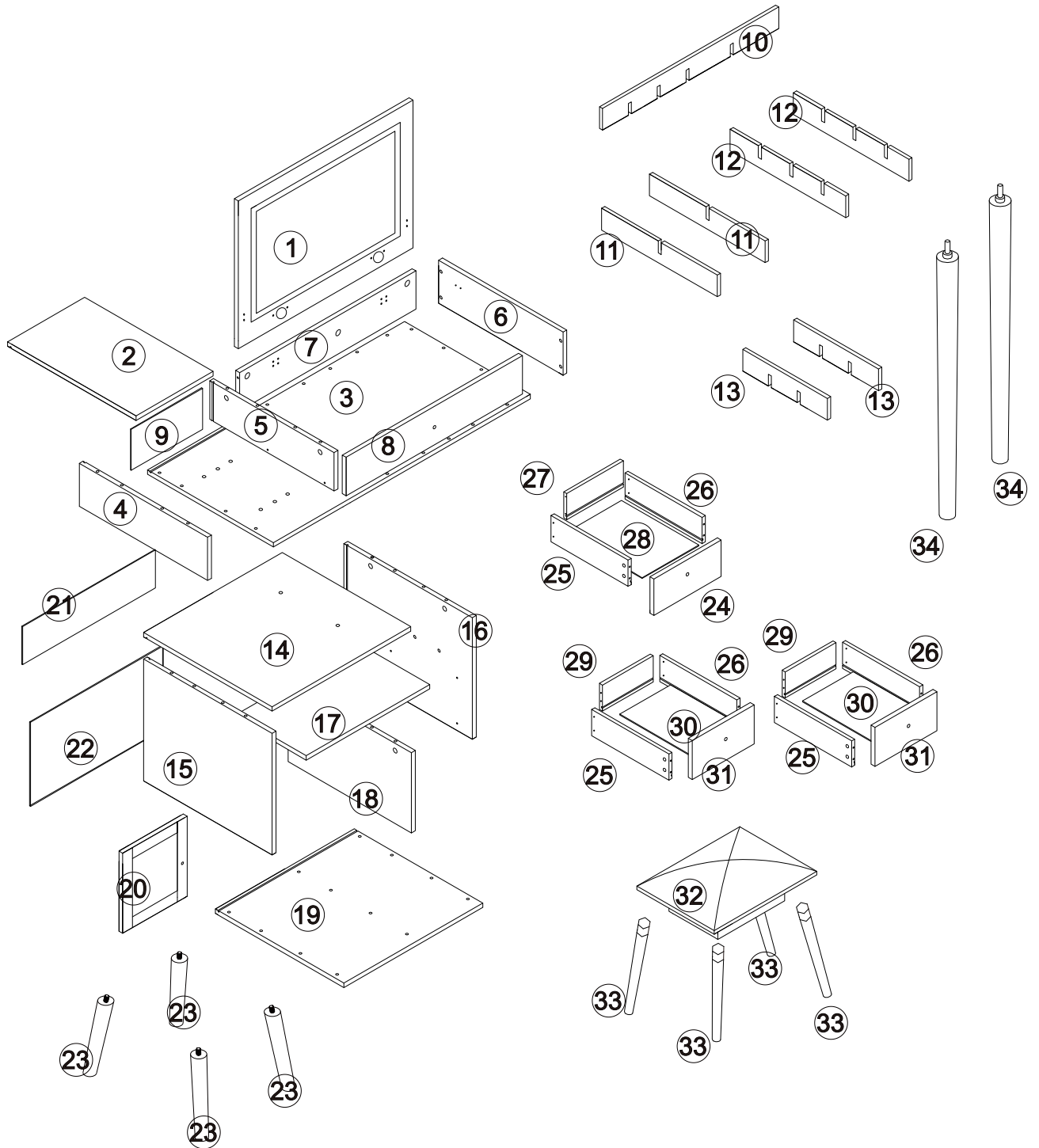
<p>Ⓟ</p>  <p>Ø6x25mm</p> <p>x2</p>	<p>Ⓠ</p>  <p>x2</p>
<p>Ⓡ</p>  <p>x2</p>	<p>Ⓢ</p>  <p>M4x18mm</p> <p>x5</p>
<p>Ⓣ</p>  <p>M3x14mm</p> <p>x12</p>	<p>Ⓤ</p>  <p>x1</p>
<p>Ⓥ</p>  <p>x2</p>	<p>Ⓦ</p>  <p>Ø6x45mm</p> <p>x8</p>
 <p>Screw driver (not provided)</p>	<p>Ⓧ</p>

Ruler - Use this ruler to help correctly identify the screws

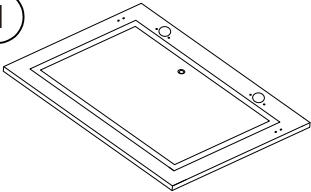
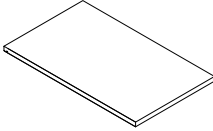
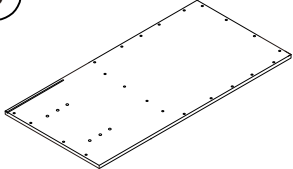
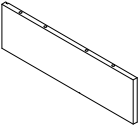
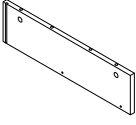
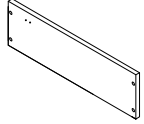
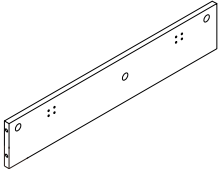
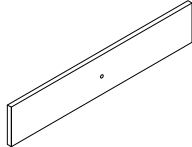
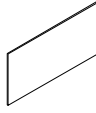
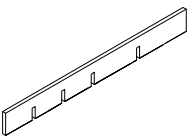
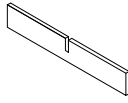
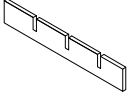
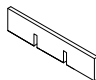
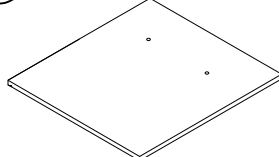
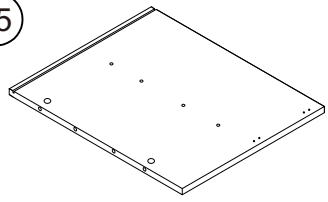


The screws length is measured from the head to the point (35mm screw shown).

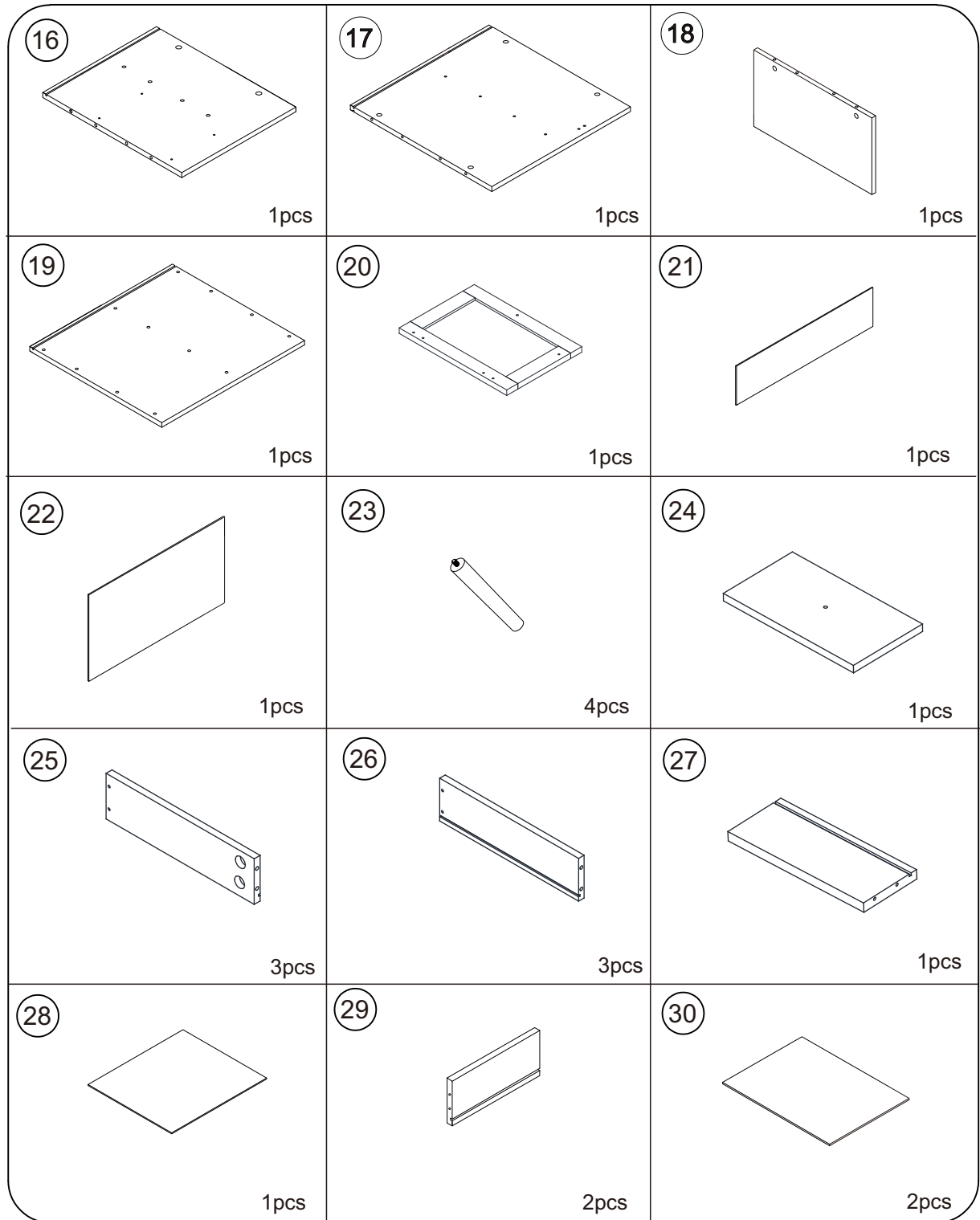
Assembly Instructions



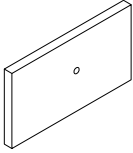
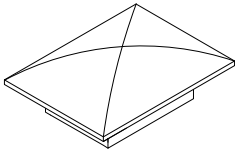
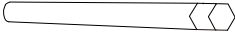

Assembly Instructions

<p>1</p>  <p>1pcs</p>	<p>2</p>  <p>1pcs</p>	<p>3</p>  <p>1pcs</p>
<p>4</p>  <p>1pcs</p>	<p>5</p>  <p>1pcs</p>	<p>6</p>  <p>1pcs</p>
<p>7</p>  <p>1pcs</p>	<p>8</p>  <p>1pcs</p>	<p>9</p>  <p>1pcs</p>
<p>10</p>  <p>1pcs</p>	<p>11</p>  <p>2pcs</p>	<p>12</p>  <p>2pcs</p>
<p>13</p>  <p>2pcs</p>	<p>14</p>  <p>1pcs</p>	<p>15</p>  <p>1pcs</p>

Assembly Instructions

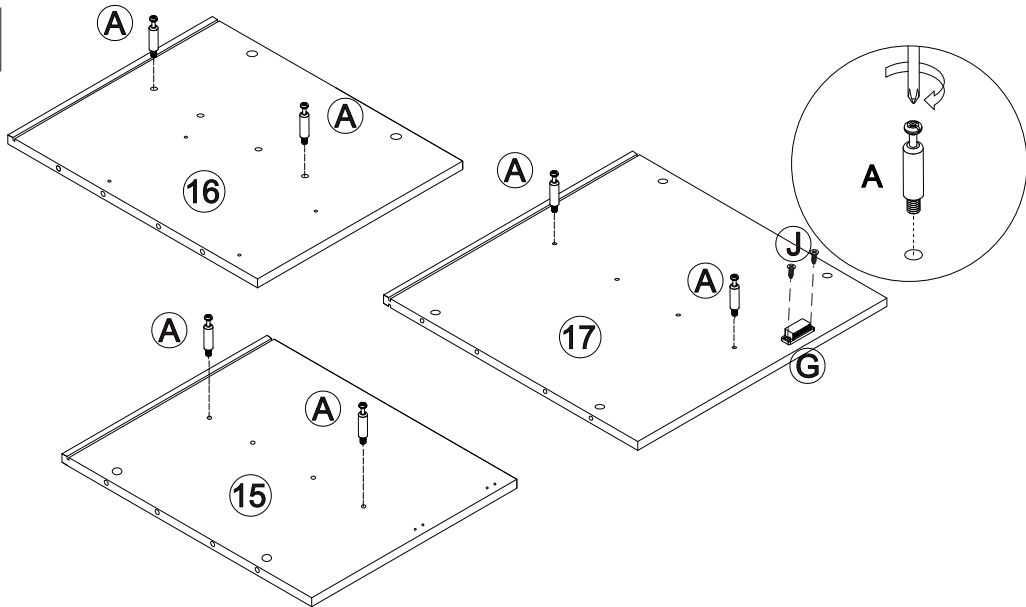


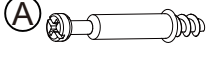

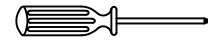

Assembly Instructions

<p>31</p>  <p>2pcs</p>	<p>32</p>  <p>1pcs</p>	<p>33</p>  <p>4pcs</p>
<p>34</p>  <p>2pcs</p>		

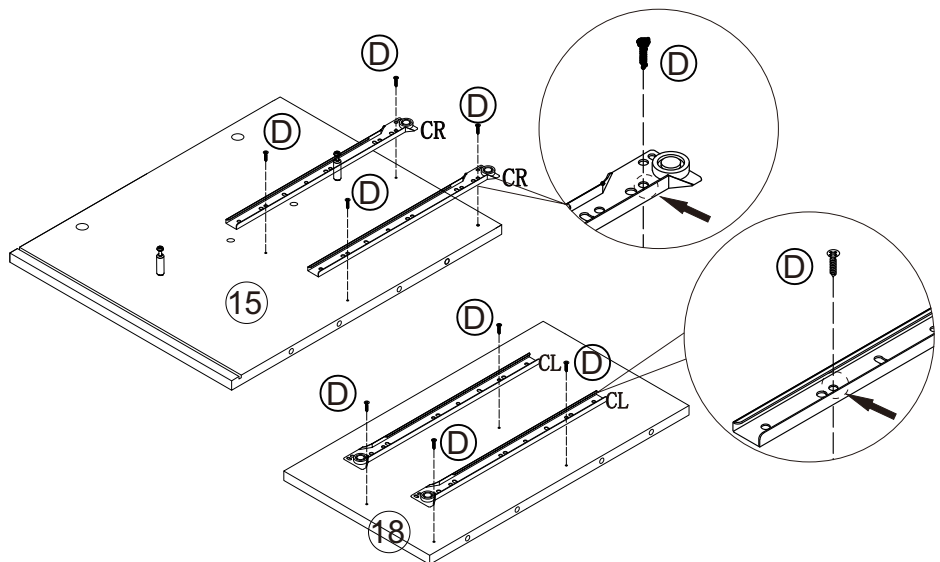
Assembly Instructions



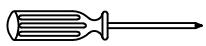
Step 1



 <p>X6</p>	 <p>M3x14mm x2</p>	 <p>Screw driver (not provided)</p>	 <p>x1</p>
---	---	---	---

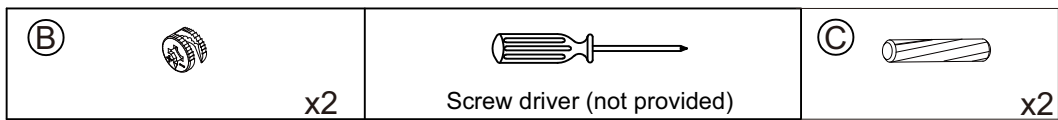
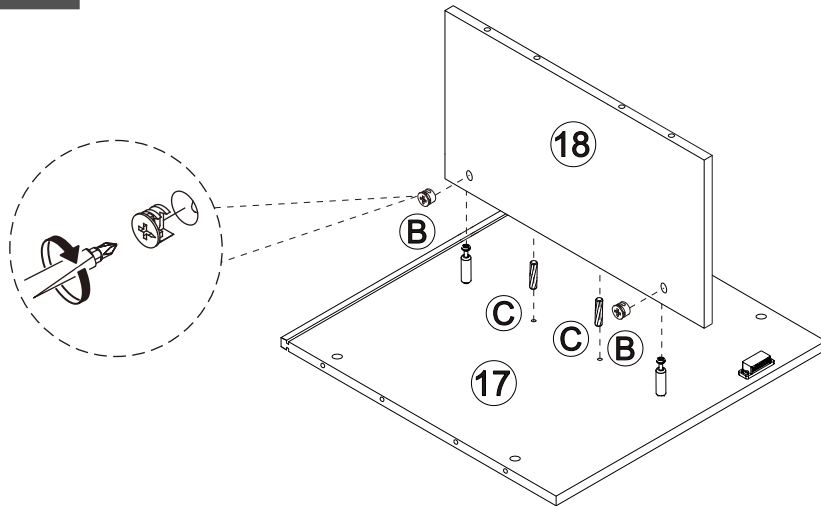
Step 2



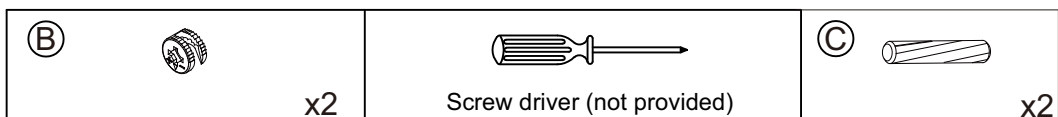
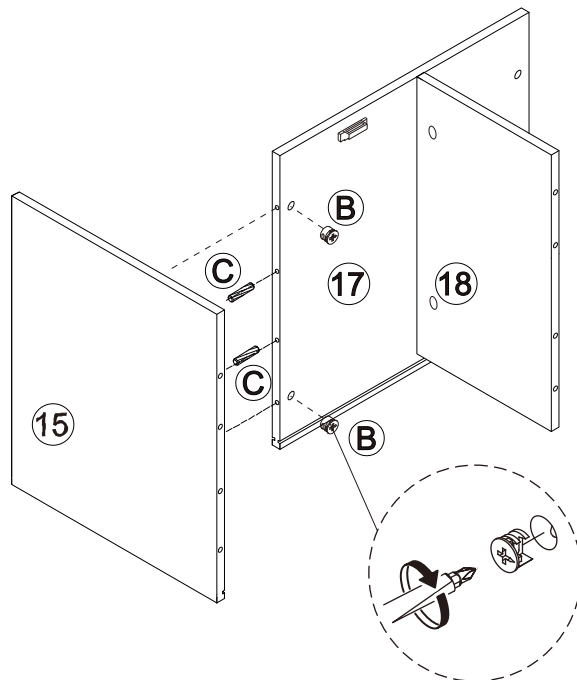
 <p>x8</p>	 <p>x2</p>	 <p>Screw driver (not provided)</p>
---	---	--

Assembly Instructions

Step 3

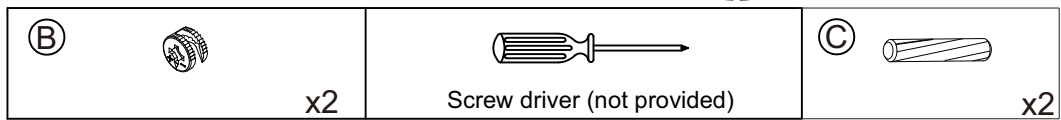
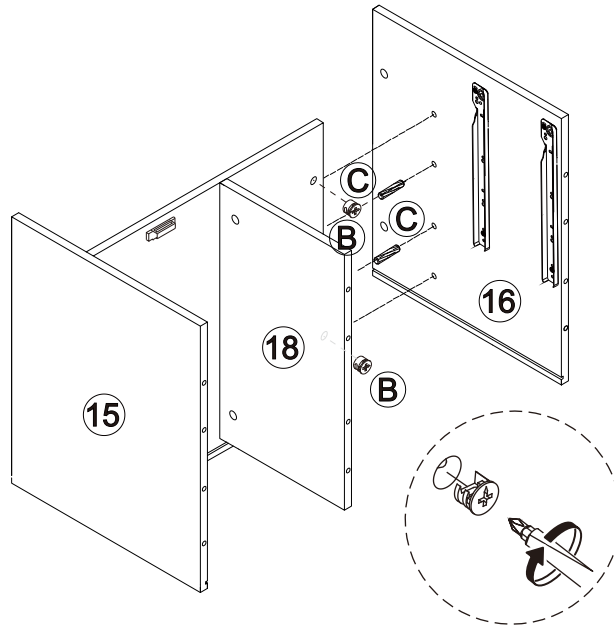


Step 4

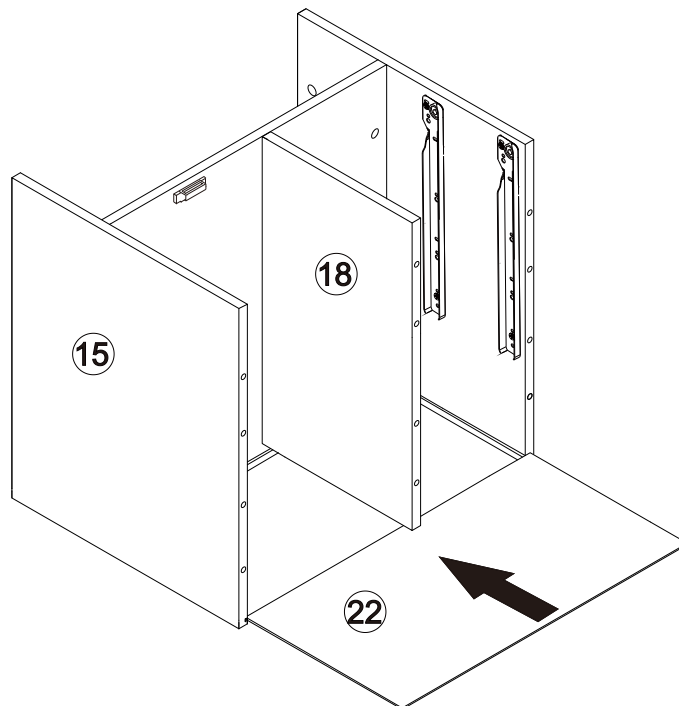


Assembly Instructions

Step 5

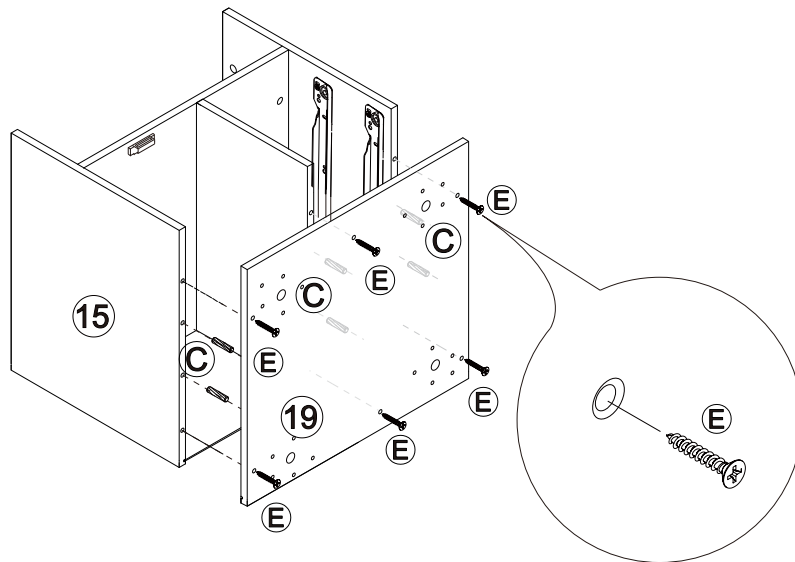



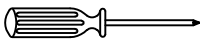

Step 6



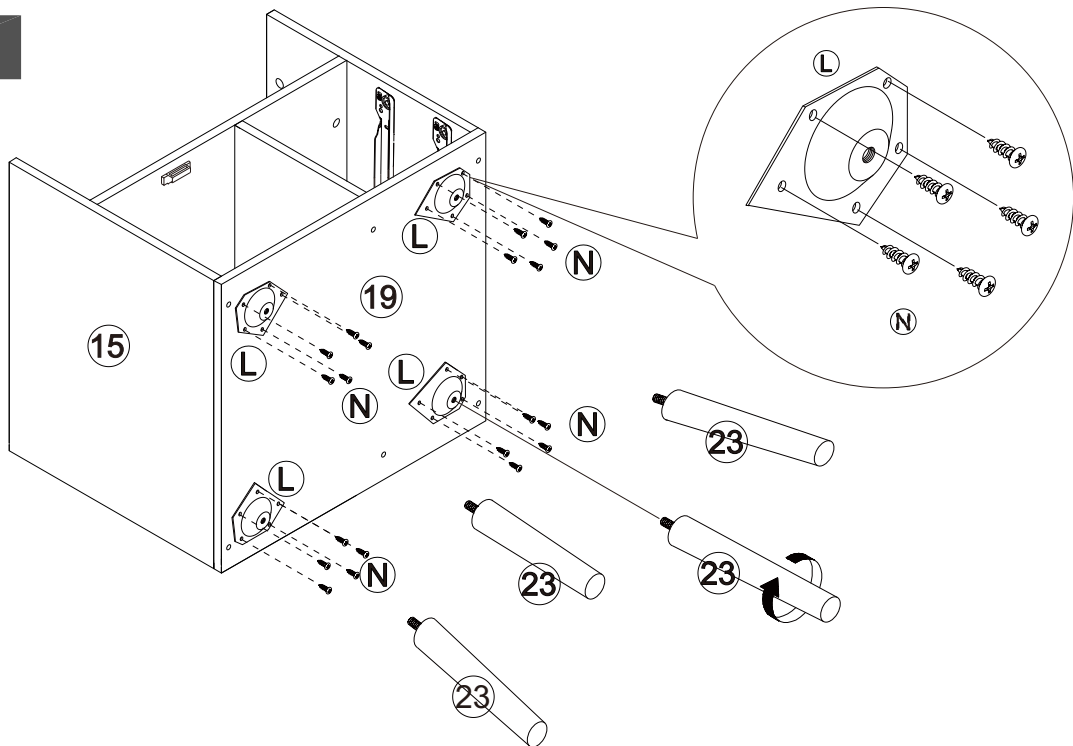
Assembly Instructions


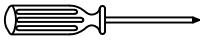

Step 7



<p>(E)  M4x35mm x6</p>	<p> Screw driver (not provided)</p>	<p>(C)  x6</p>
---	--	---

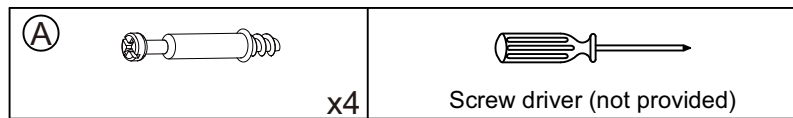
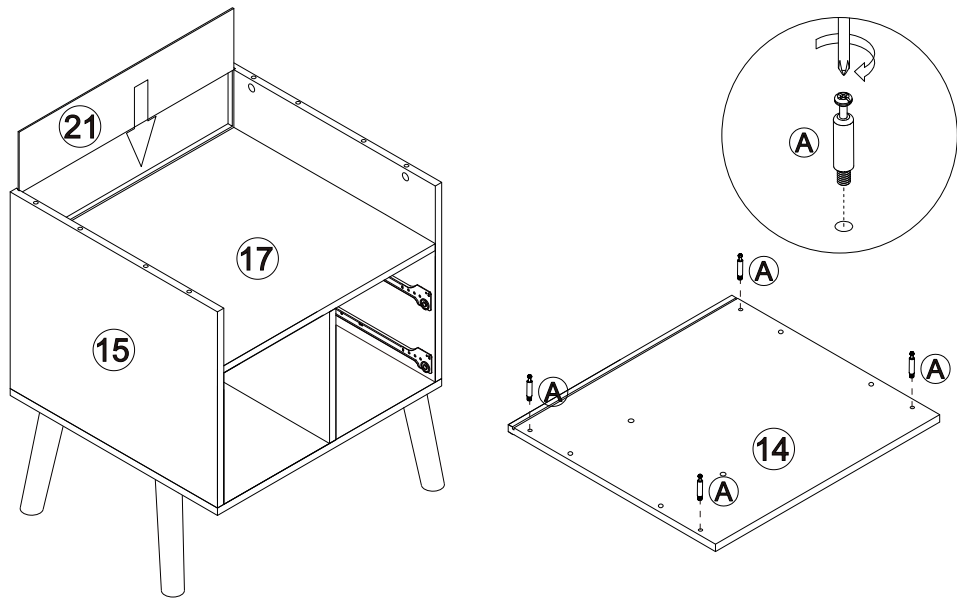
Step 8



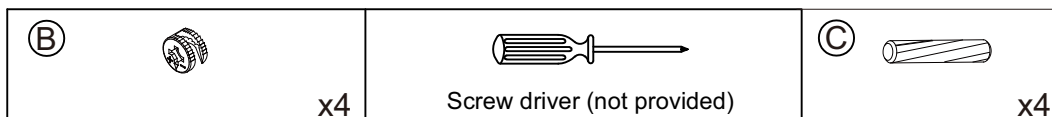
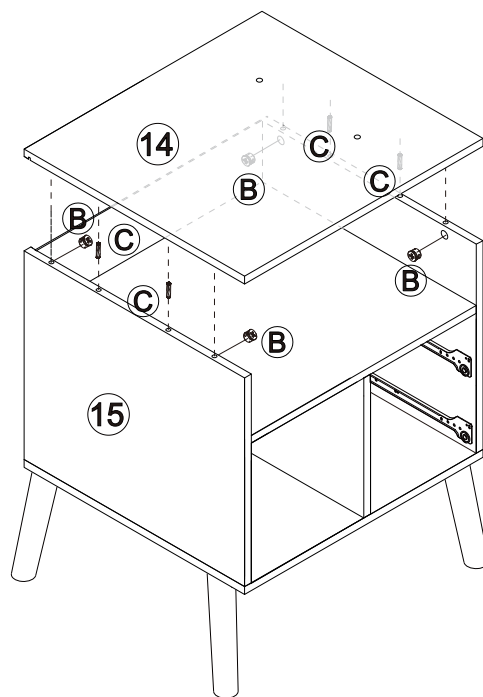
<p>(L)  x4</p>	<p> Screw driver (not provided)</p>	<p>(N)  M4x12mmx20</p>
---	--	---

Assembly Instructions

Step 9

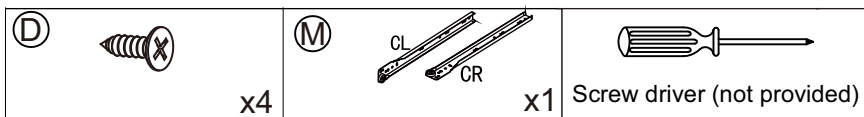
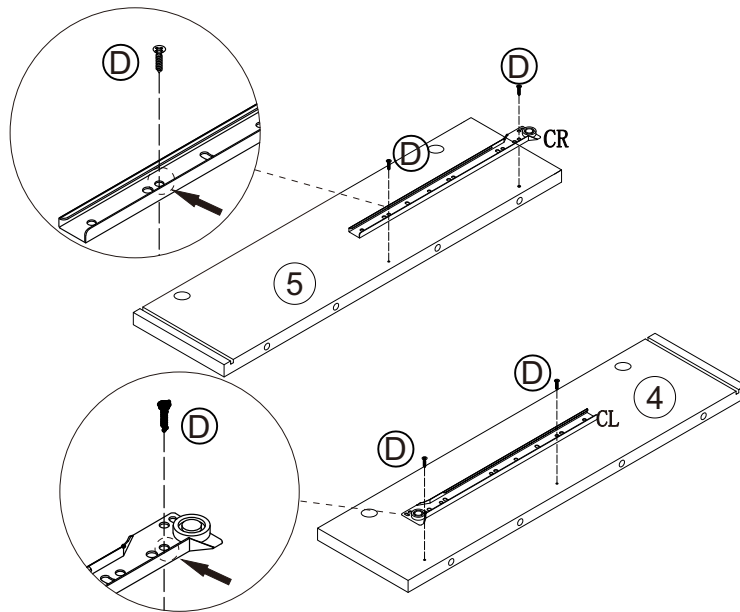


Step 10

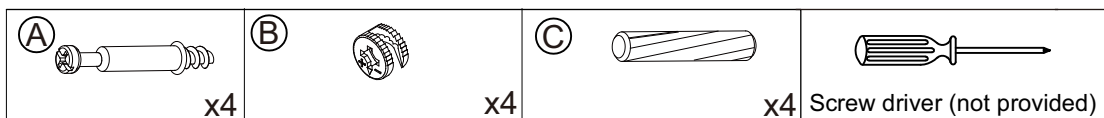
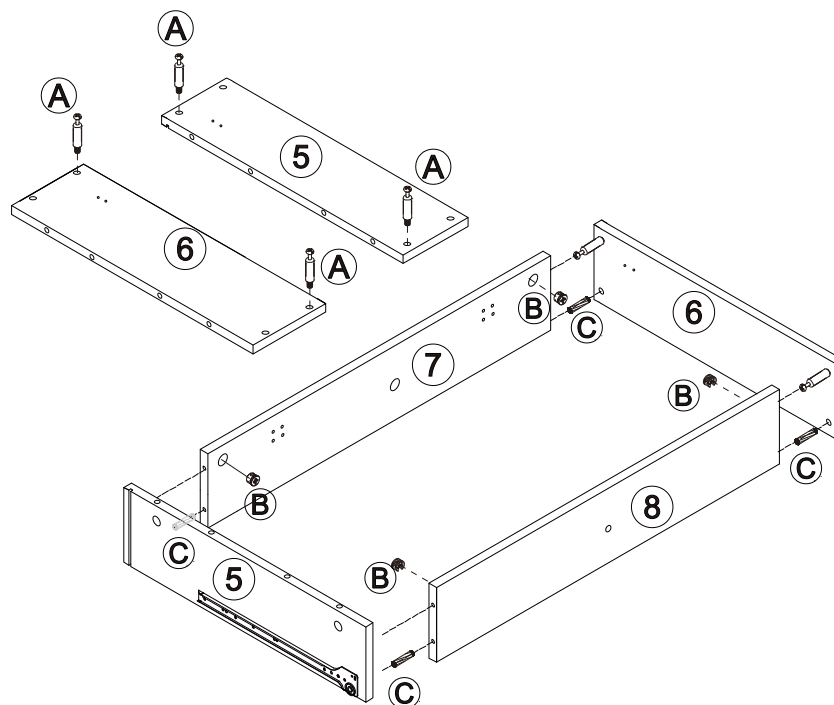


Assembly Instructions

Step 11

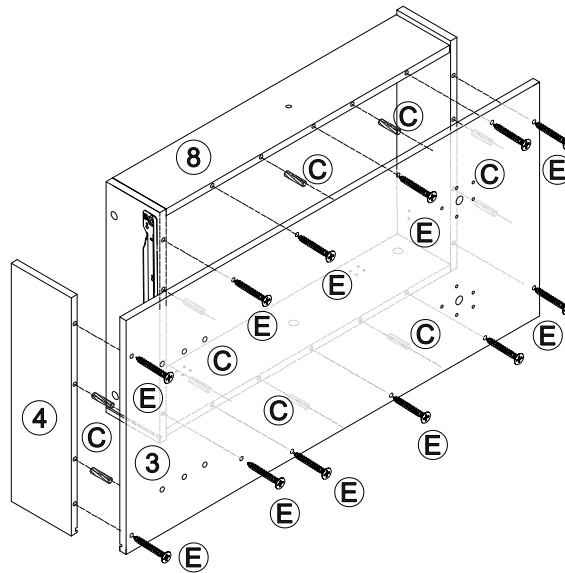



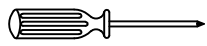

Step 12



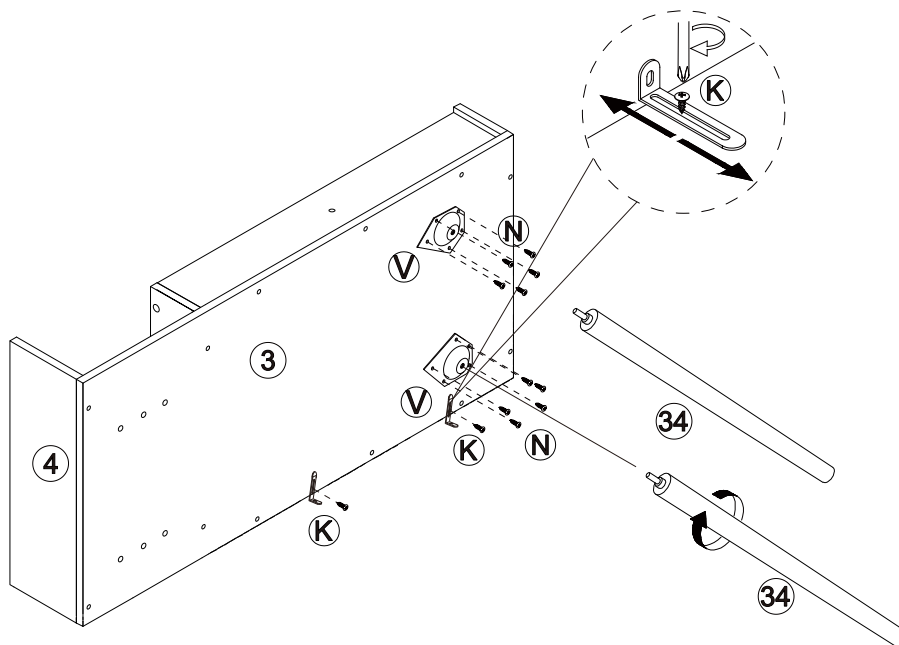
Assembly Instructions


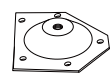

Step 13



<p>(E)  M4x35mm x12</p>	<p> Screw driver (not provided)</p>	<p>(C)  x10</p>
---	---	---

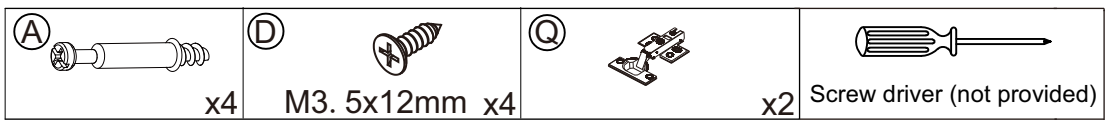
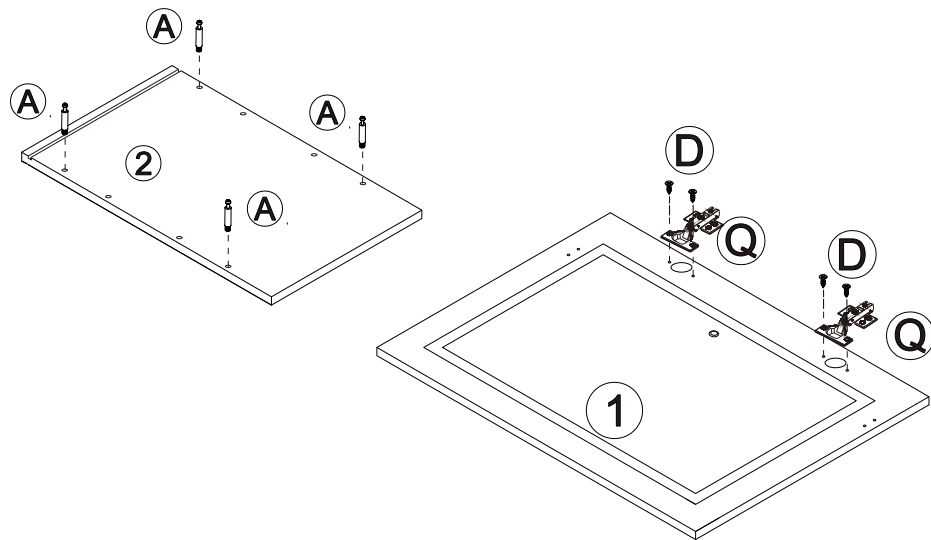
Step 14



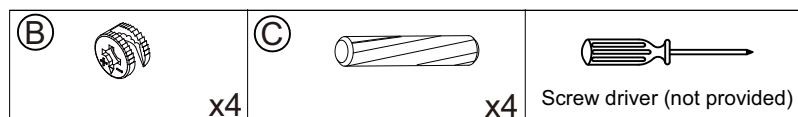
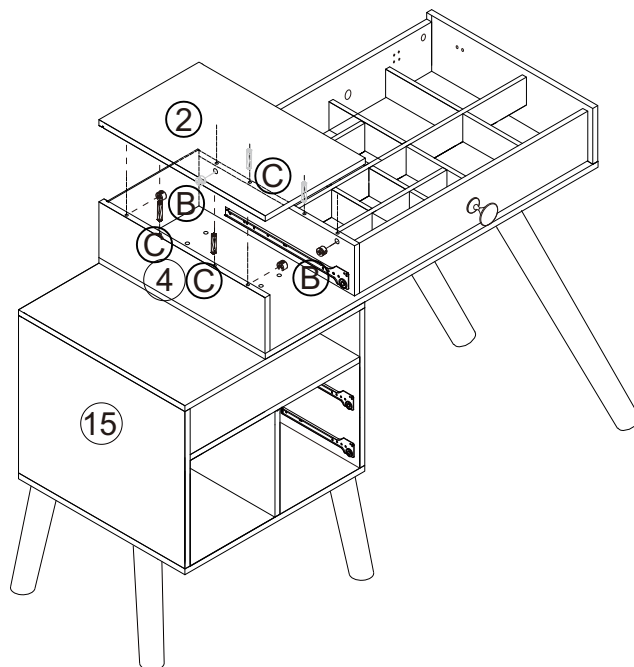
<p>(K)  M4x12mm x2</p>	<p>(V)  x2</p>	<p>(N)  M4x12mm x10</p>
---	---	--

Assembly Instructions

Step 17

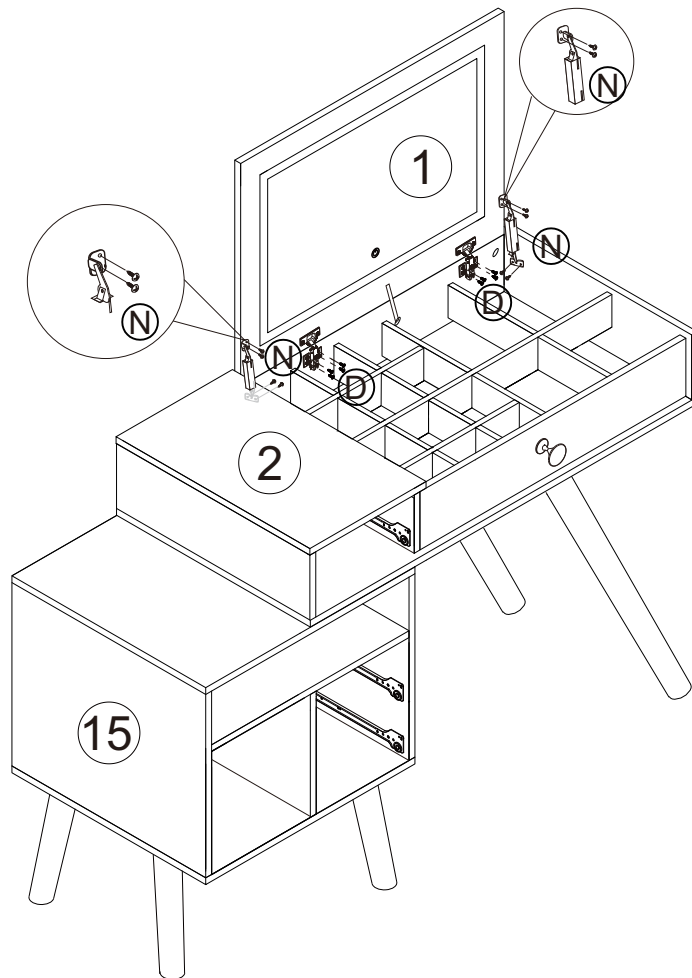


Step 18

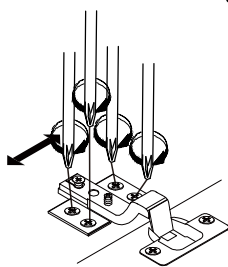


Assembly Instructions

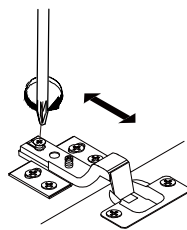
Step 19



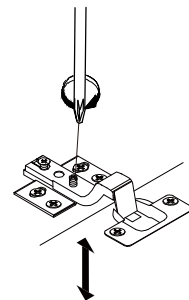
If you find that there is a large gap between or beside the door, above or below the door, it's not the product problem, please adjust the hinge according to the diagram as below



Door left and right adjustment by loosening the screws on the mounting plate.



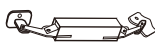
Door in and out adjustment by loosening the screws on the hinge arm.

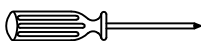


Door up and down adjustment using the front adjustment screw on the hinge.

(D)  M3. 5x12mm x8

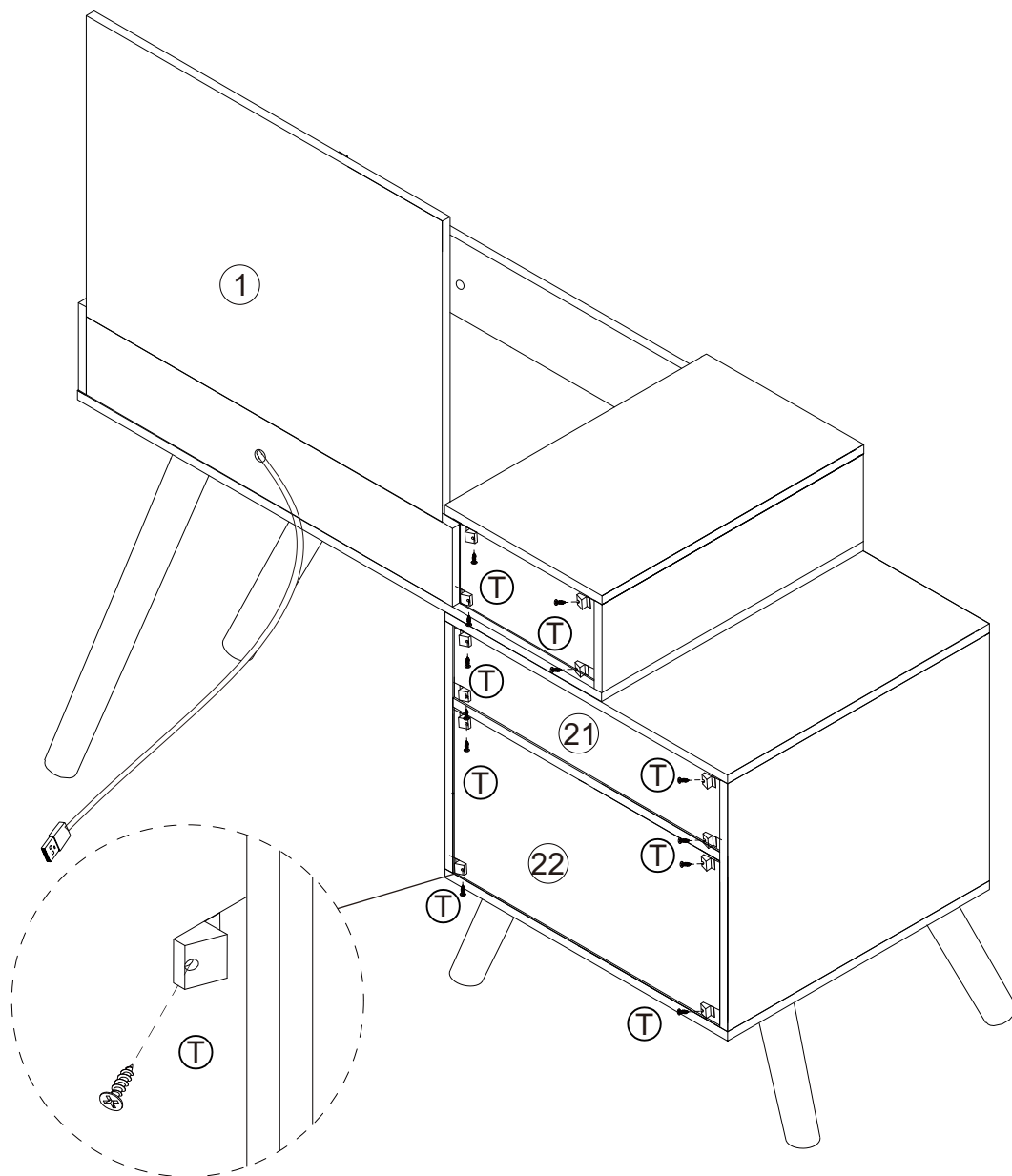
(N)  M4x12mm x8



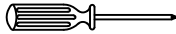
(R)  x2

 Screw driver (not provided)

Assembly Instructions

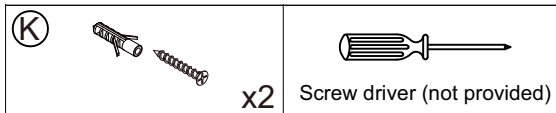
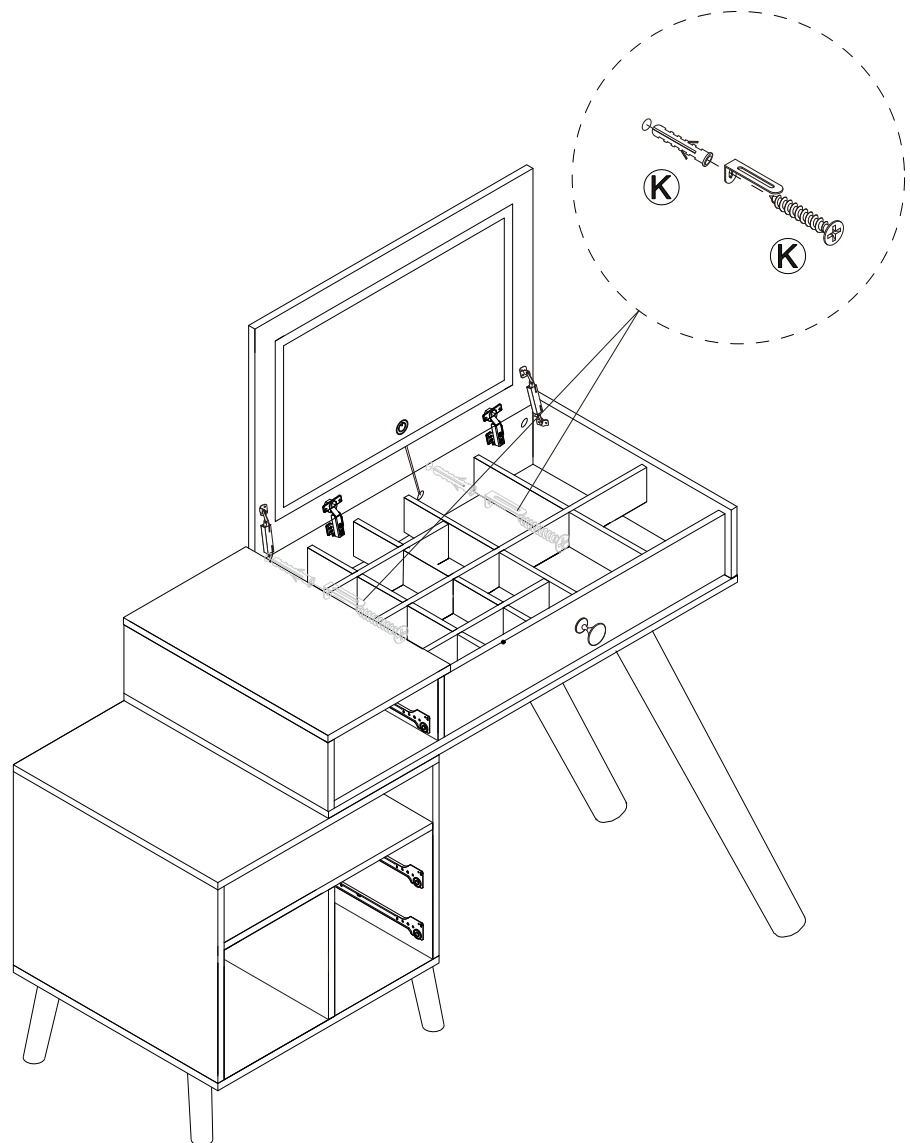
Step 20



		
	M3x14mm x12	Screw driver (not provided)

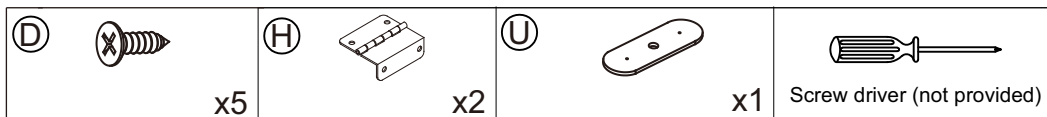
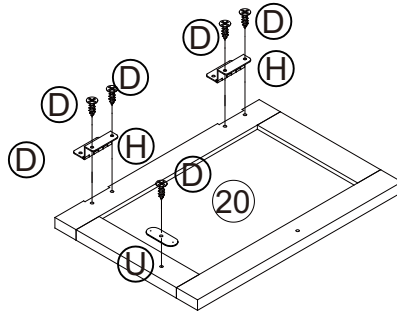
Assembly Instructions

Step 21

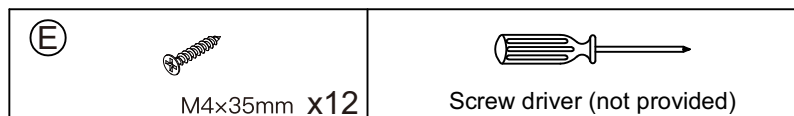
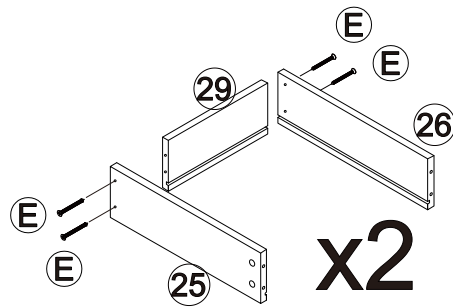
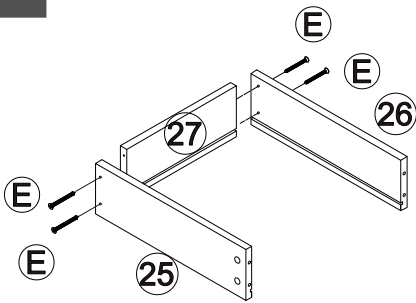


Assembly Instructions

Step 22

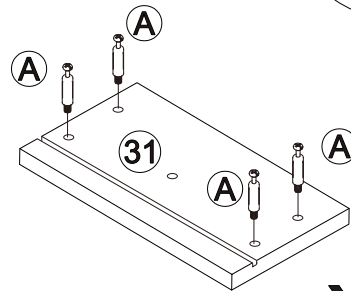
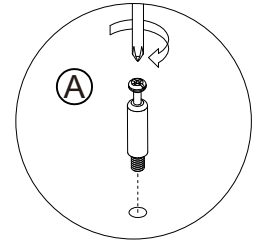
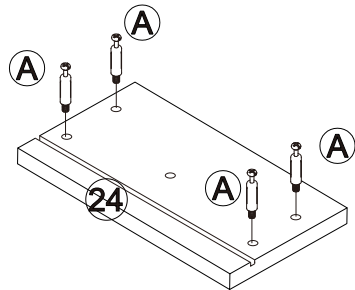


Step 23

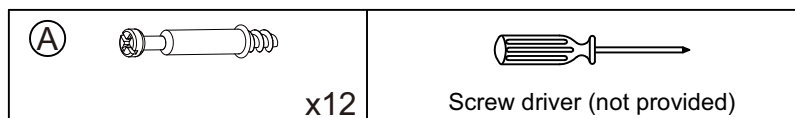


Assembly Instructions

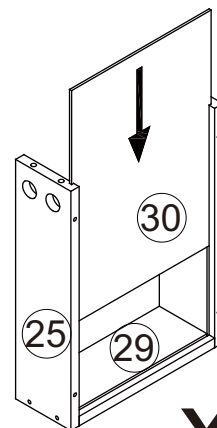
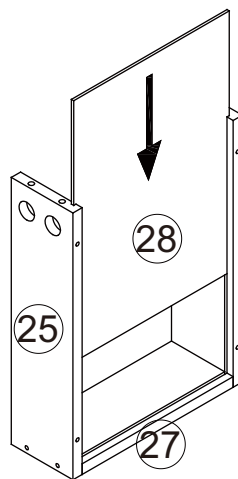
Step 24



x2



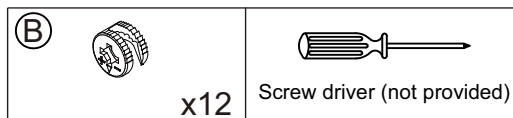
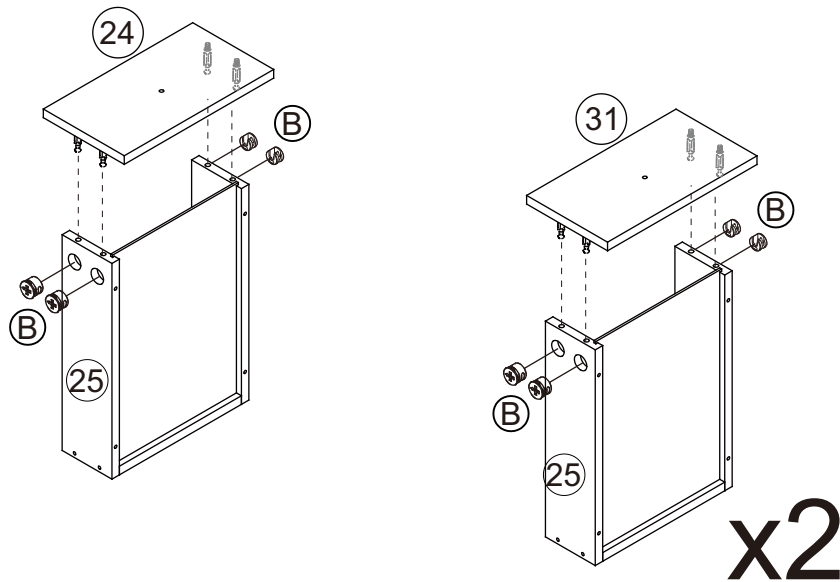
Step 25



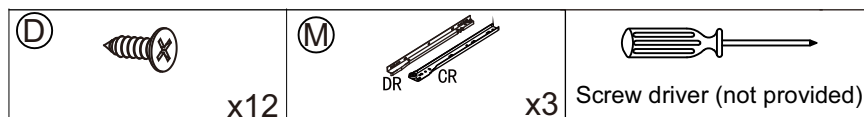
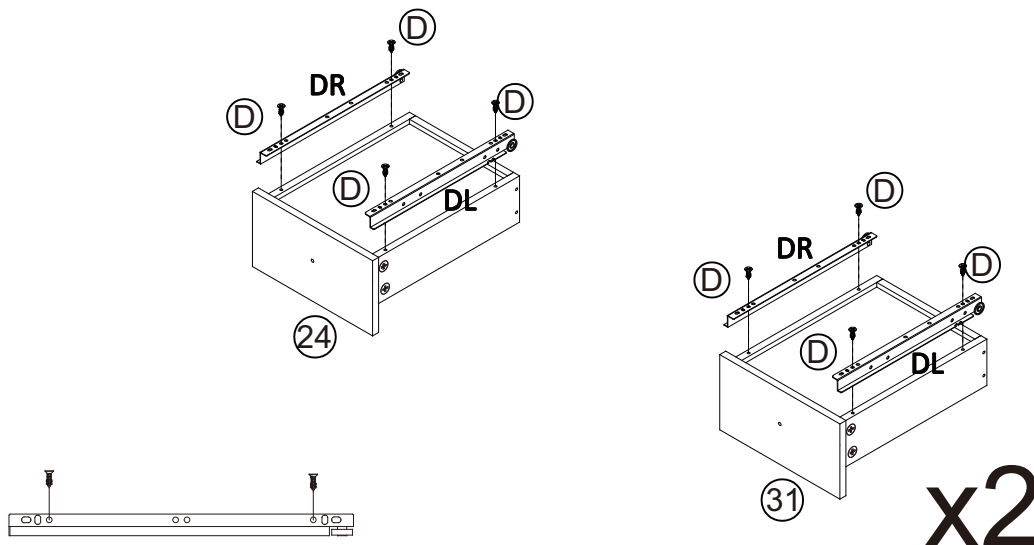
x2

Assembly Instructions

Step 26

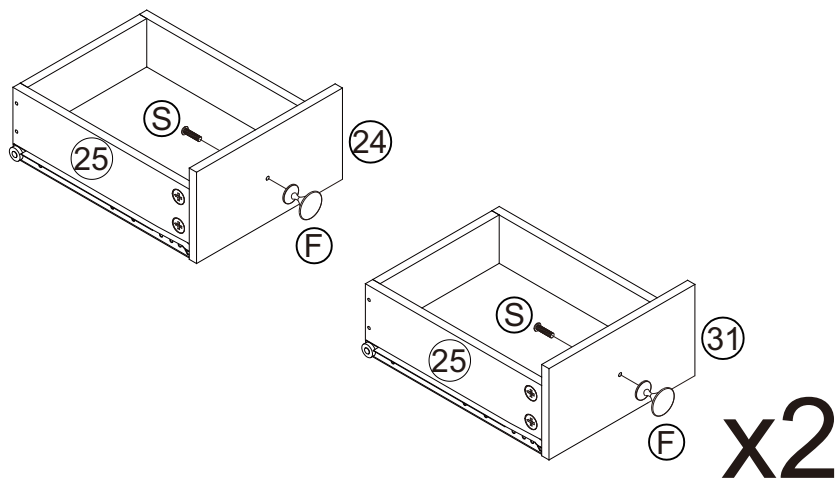


Step 27



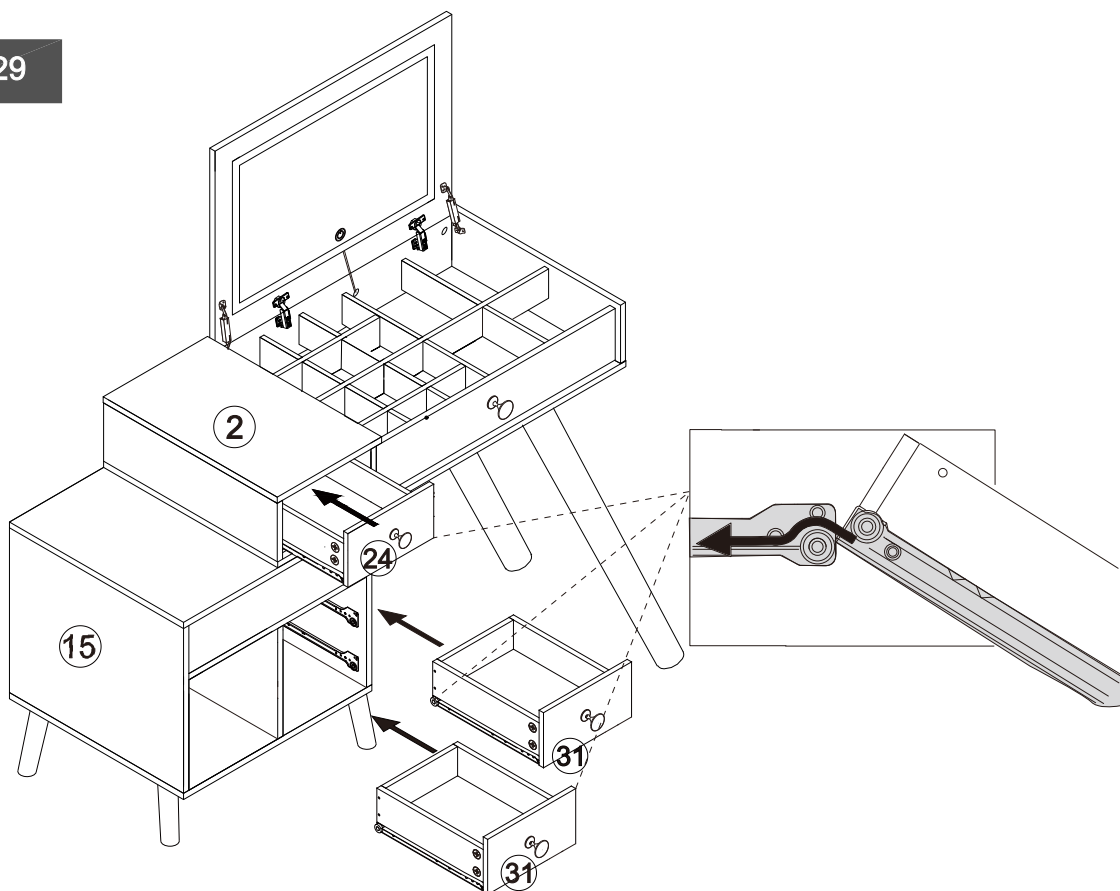
Assembly Instructions

Step 28



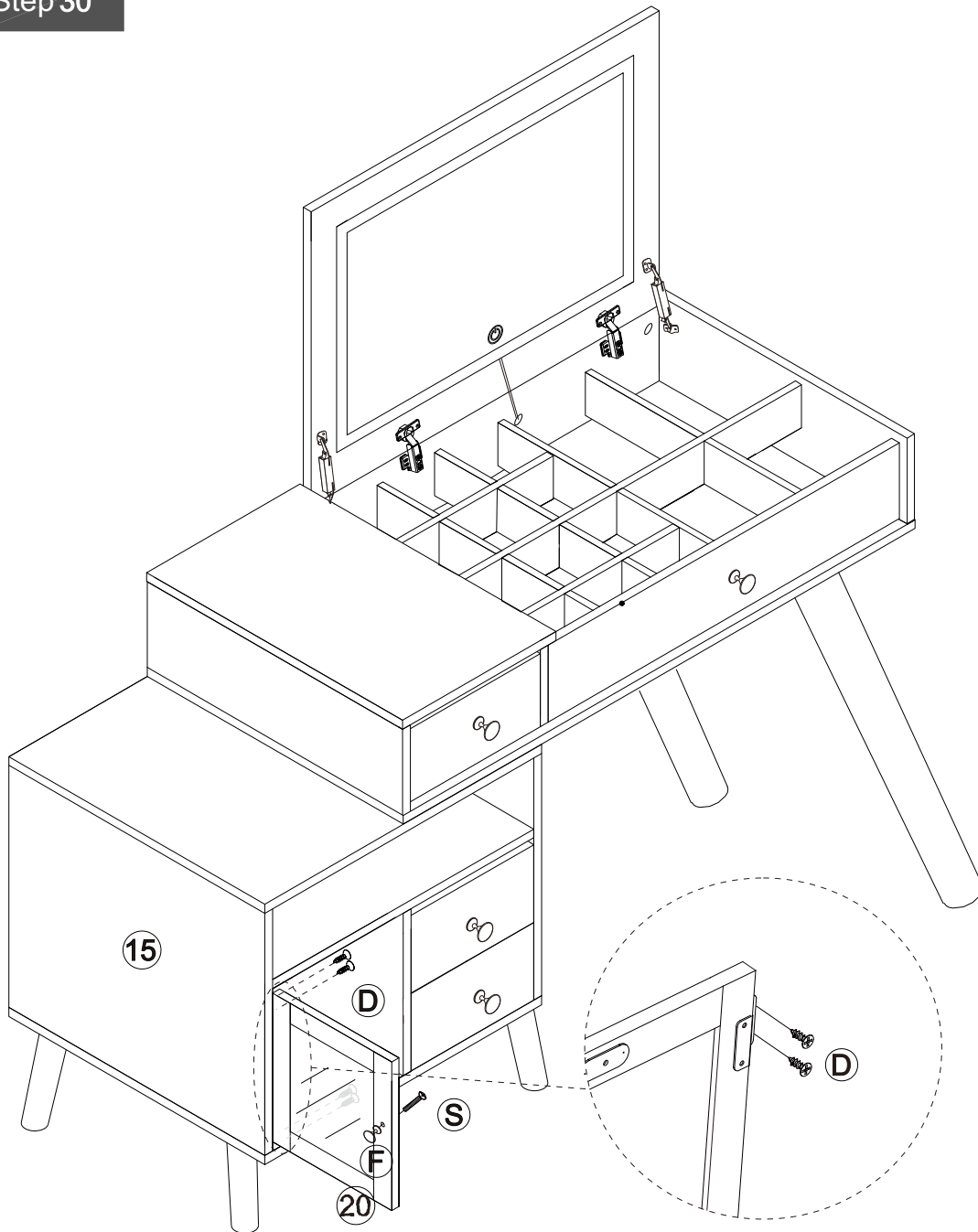
(F)	(S)	
x3	M4x18mm x3	Screw driver (not provided)

Step 29



Assembly Instructions

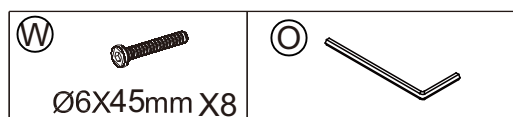
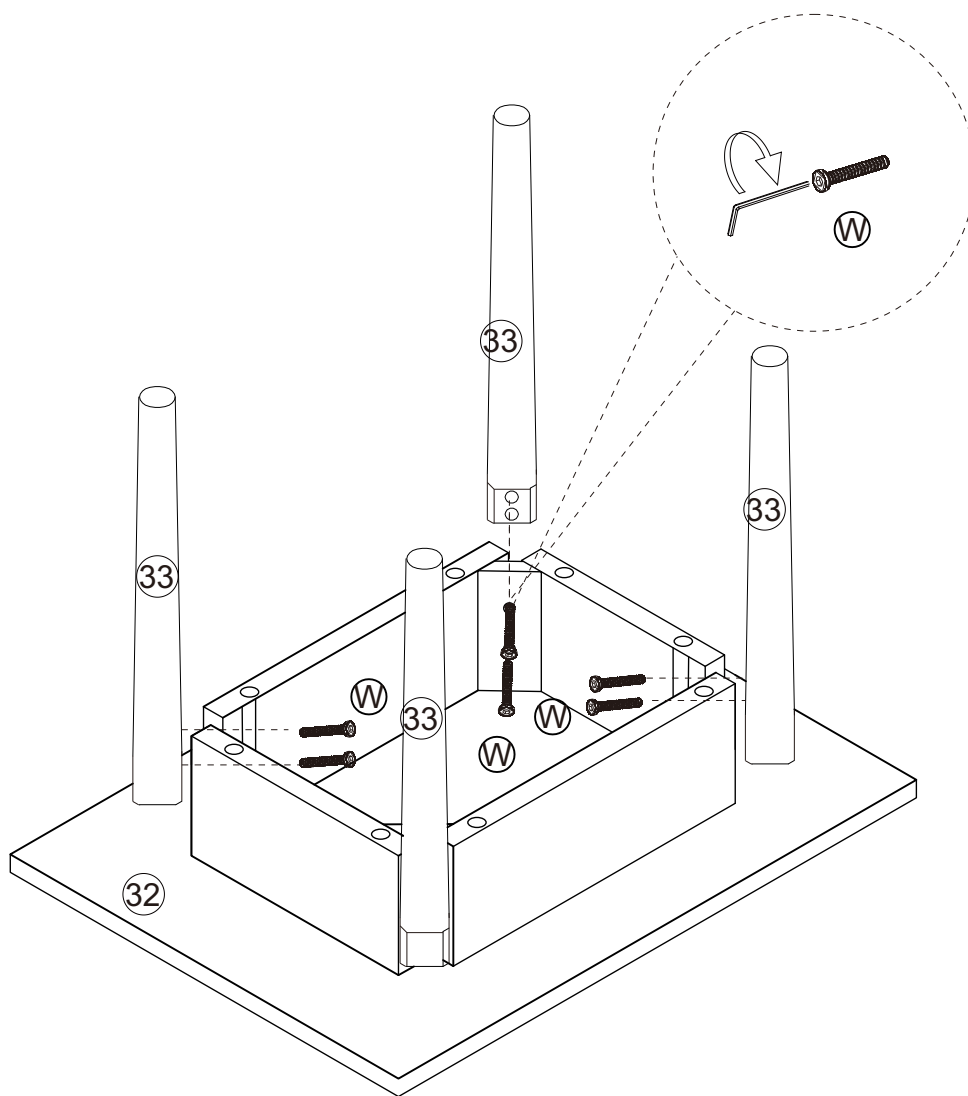
Step 30



(D) 	(F) 	(S) 	
x4	x1	M4x18mm x1	Screw driver (not provided)

Assembly Instructions

Step 31



Assembly Instructions

Step 32

