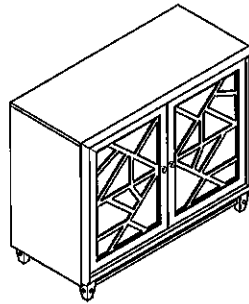


# ASSEMBLY INSTRUCTIONS



090-1046 ACCENT CABINET

## TOOLS REQUIRED:

Allen Wrench (Provided, Part D)

## BEFORE YOU START:

1. Check the hardware against the hardware list to make sure all items are present.
2. Assemble your furniture on a soft, flat surface to avoid scratching the finish.
3. **CAUTION:** Do not over tighten screws, nuts or bolts during assembly.
4. Your furniture may require occasional tightening.

## INSTRUCTIONS:

1. Turn the table top on to a clean soft surface.
2. Attach legs to table frame using Bolt (C), Lock Washer (B) and Flat Washer (A) and Allen Wrench (D). As Shown in Figure 1. (Do not tighten bolts)
3. Attach metal stretchers to the legs. As Shown in Figure 2.
4. Tighten all bolts before setting table back upright.

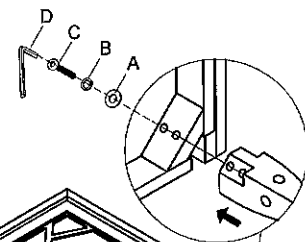


Figure 1

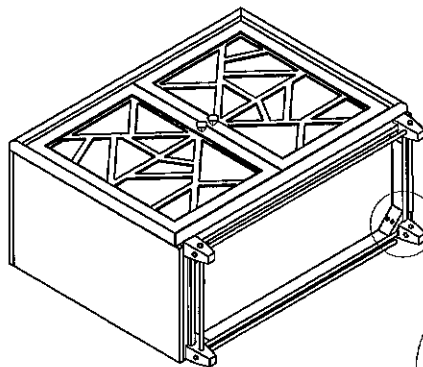
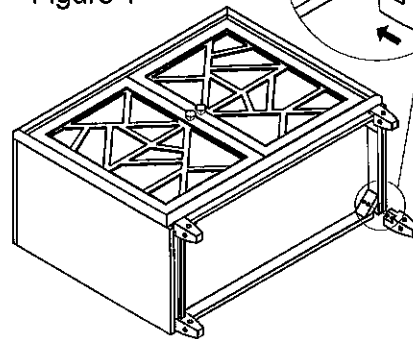
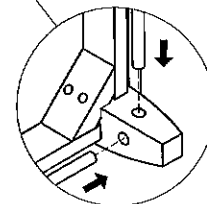


Figure 2



HARDWARE LIST			
A	⊙	Flat Washer (Ø1/4" )	8pcs
B	⊗	Lock Washer (Ø1/4")	8pcs
C	⊕	Bolt (1/4"*1-3/4")	8pcs
D	⌘	Allen Wrench	1pcs

