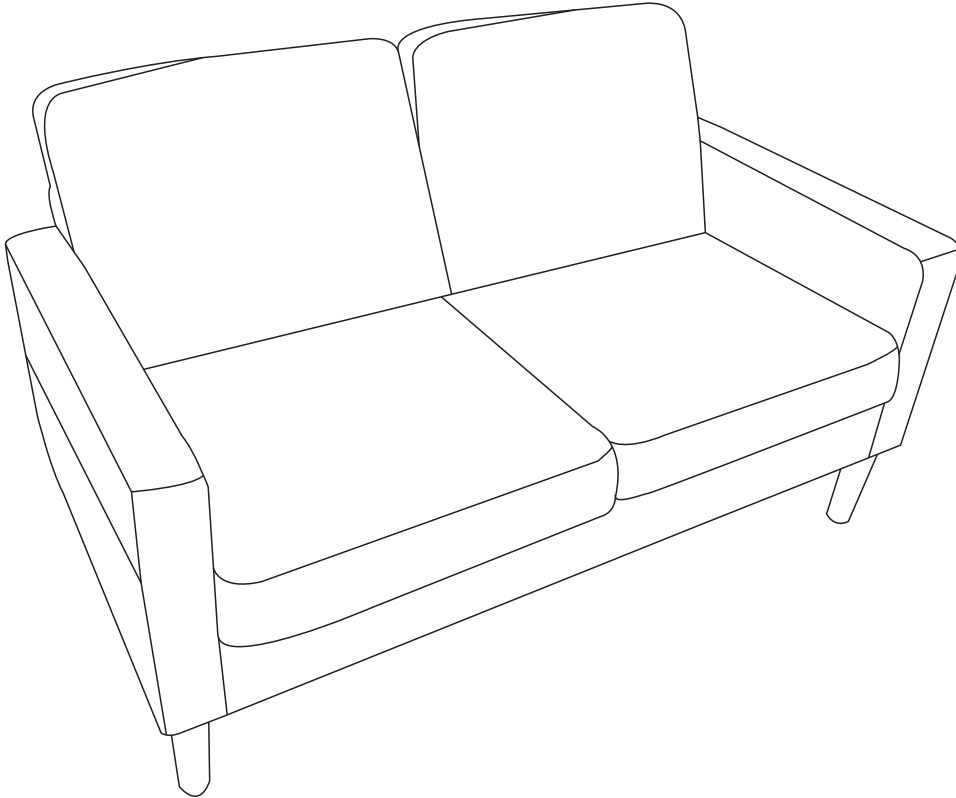


Assembly Instruction



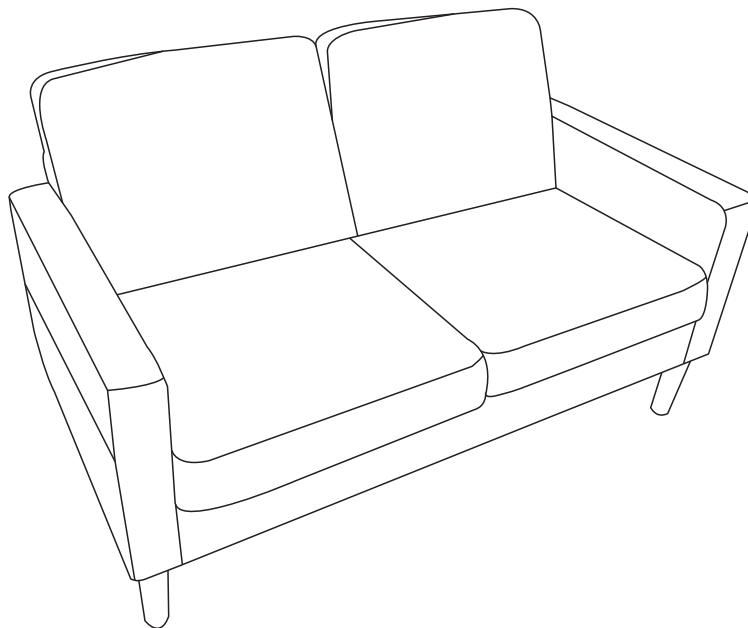
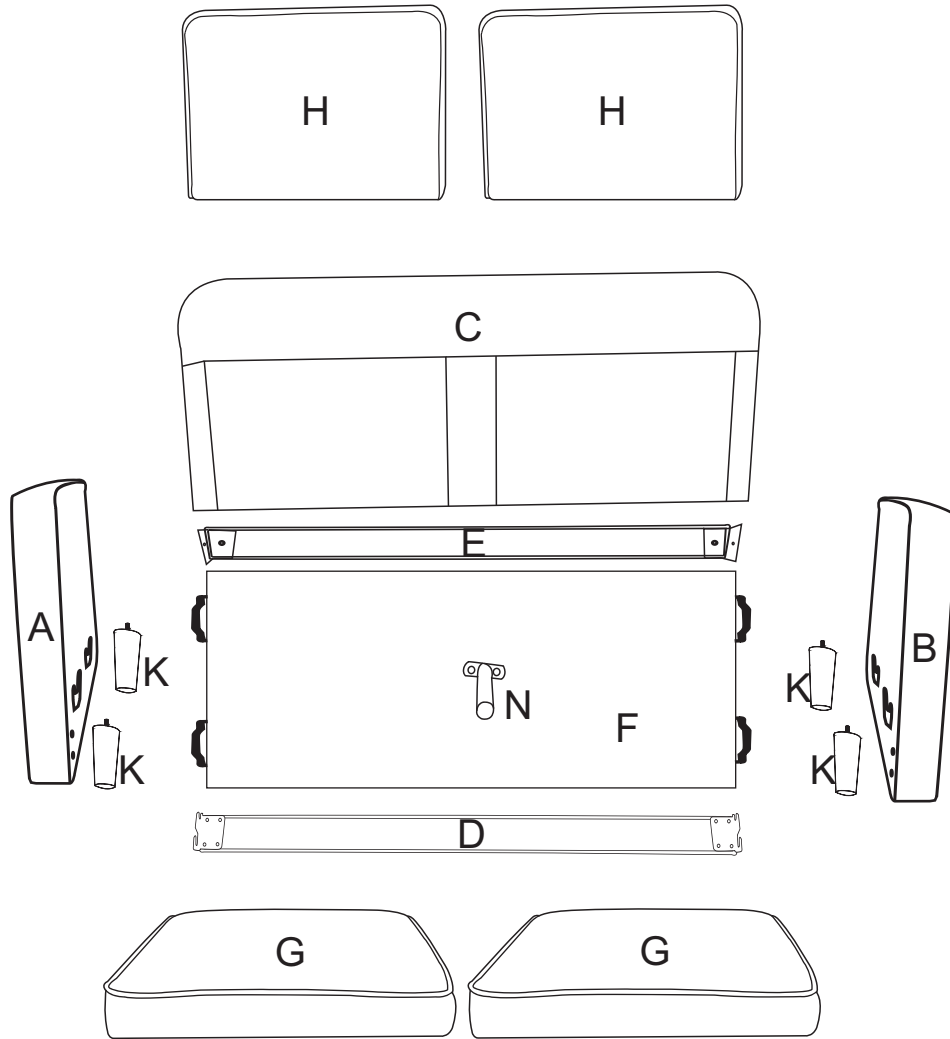
Attention: Do not open the compression bag if you are not satisfied with the product



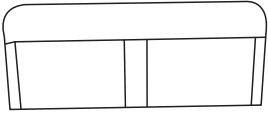




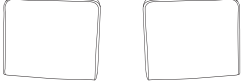
Thank you for your purchase.

If you have difficulty with assembly or find a part is missing or damaged, please don't hesitate to contact us for solution.

Customer Service team will work hard to put a smile back on your face.

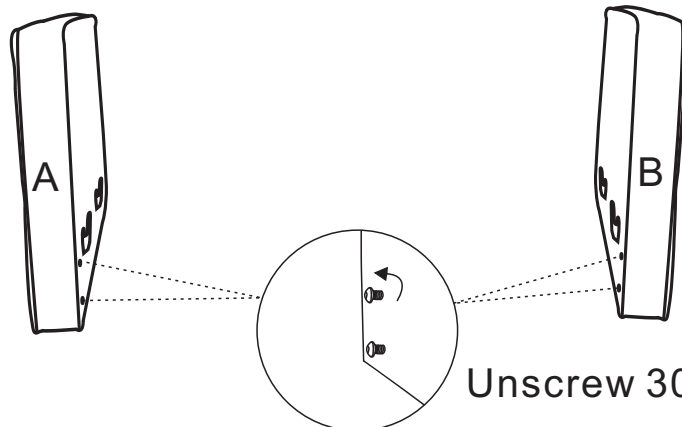
Components



NO	PARTS	QTY	DESCRIPTION
A		1 PC	Left Arm-rest frame
B		1 PC	Right Arm-rest frame
C		1 PC	Back frame
D		1 PC	Sofa front baffle
E		1 PC	Sofa back baffle
F		1 PC	Sofa plate
G		2 PCS	Seat Cushion Cover
H		2 PCS	Back Cushion Cover

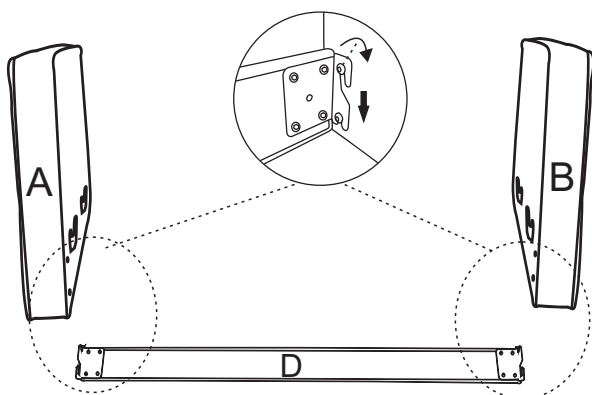
NO	PARTS	QTY	DESCRIPTION
I		4 PCS+1	M8*50mm Plum Flower Screw
J		2 PCS+1	M8*20mm Screw
K		4 PCS	Leg
L		4 PCS+1	Washer
M		1 PC	Allen Key
N		1 PC	Middle Leg
O		2 PCS+1	M6*20mm Screw

STEP 1

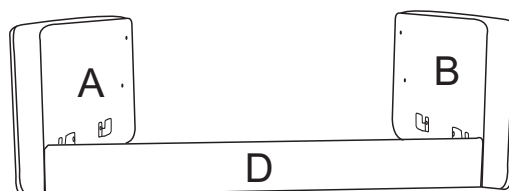


STEP 2

Insert the link iron and tighten the screw



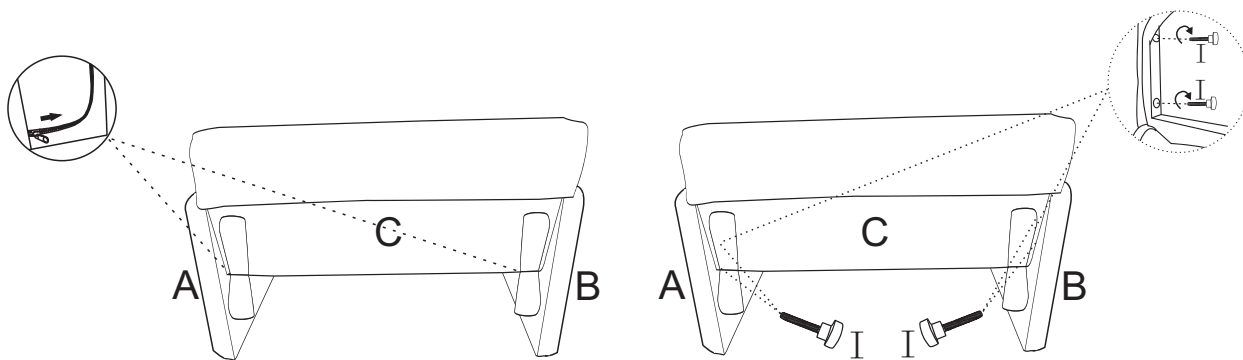
Before the installation



After installation

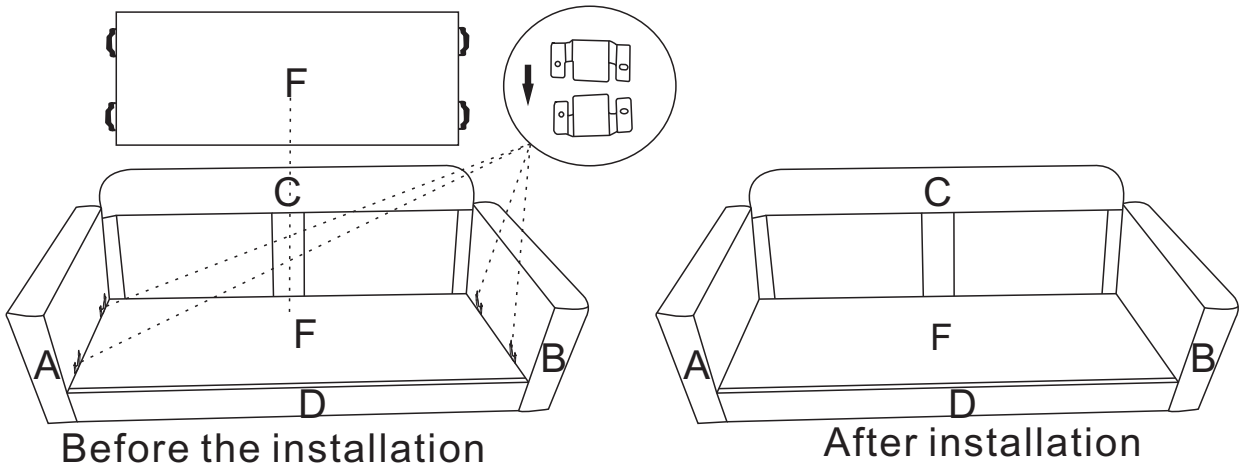
STEP 3

1. Open the back zipper first
2. Connect C to handrail A/B with screw I

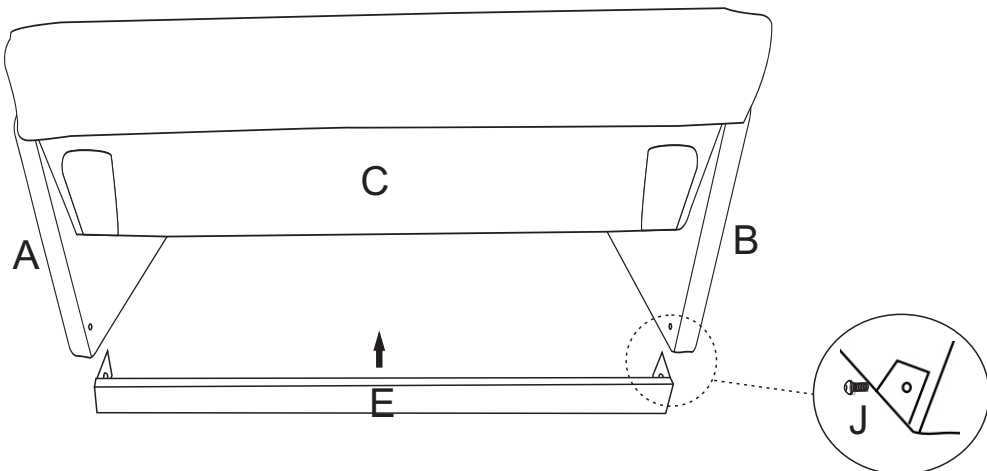


STEP 4

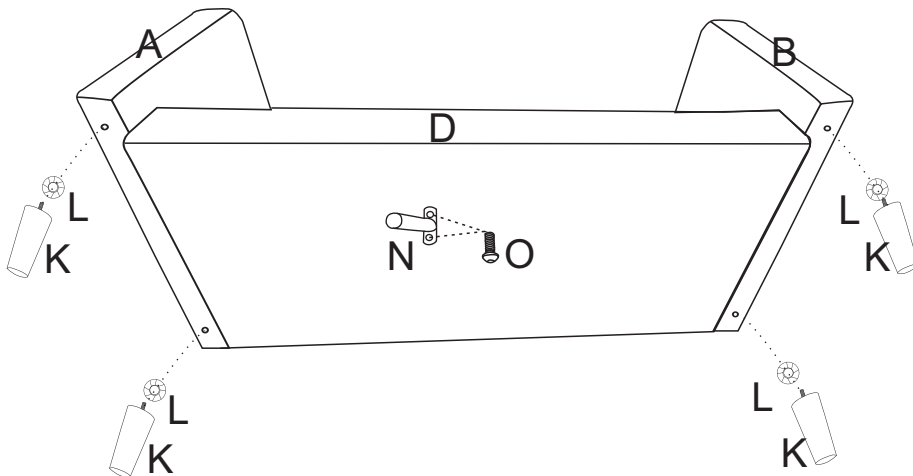
put in F, Link as shown

**STEP 5**

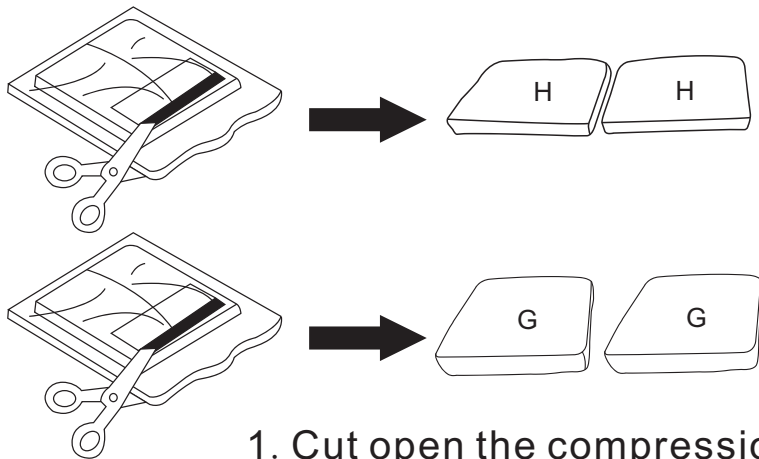
Secure the backslash and handrails with screw J

**STEP 6**

1. Connect Middle Leg N with screw O
2. Rotate Leg K through Washer L into handrail A/B



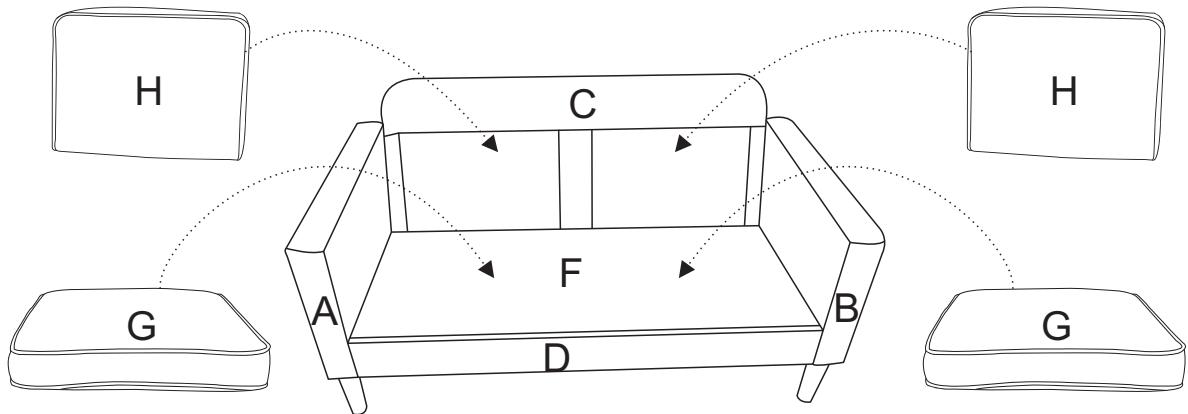
STEP 7



1. Cut open the compression package and remove the seat cushion and back cushion
2. Compression package after cutting, after standing for 24 hours, more comfortable

STEP 8

Have cushion G and H placed respectively



STEP 9

Well done!

