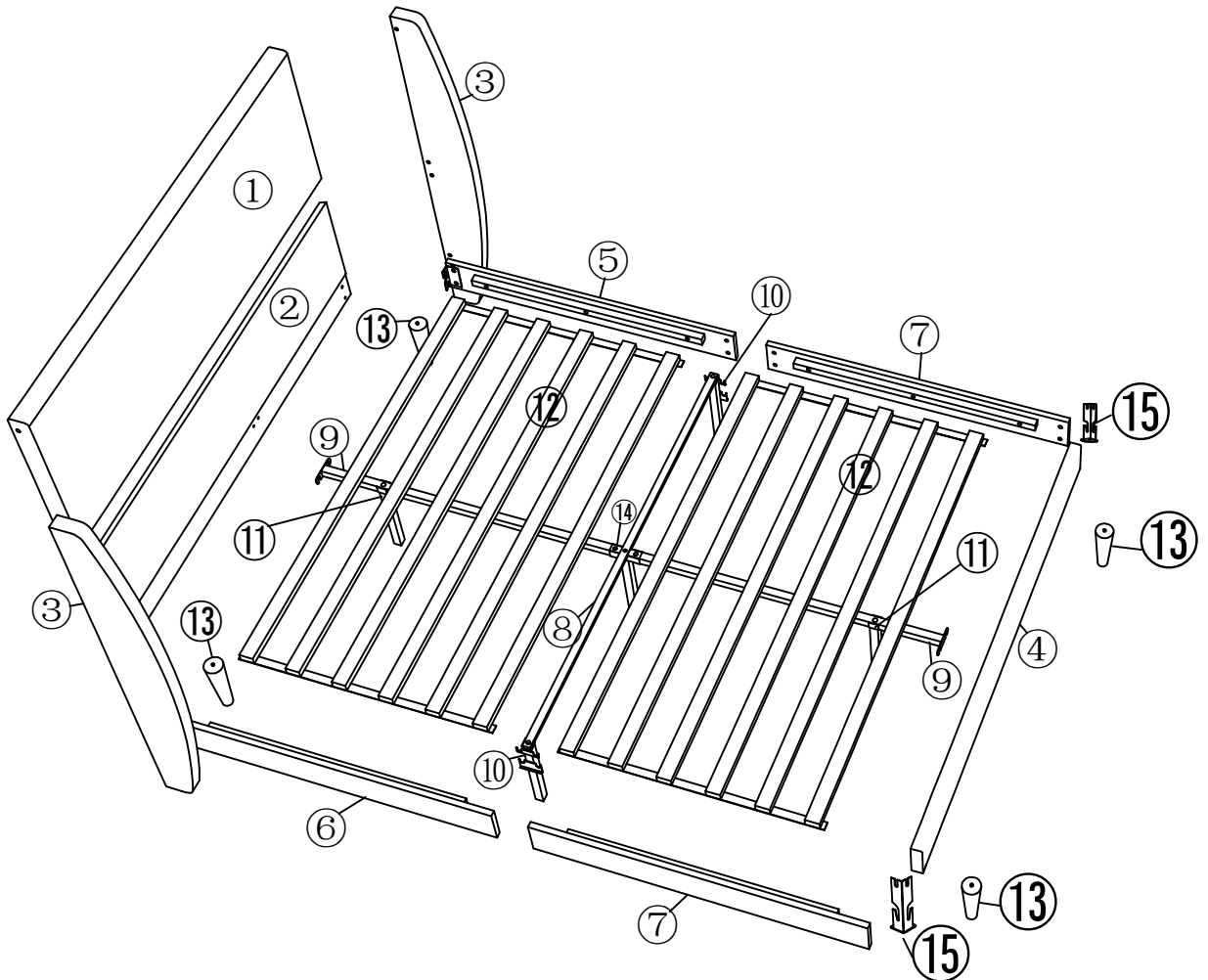
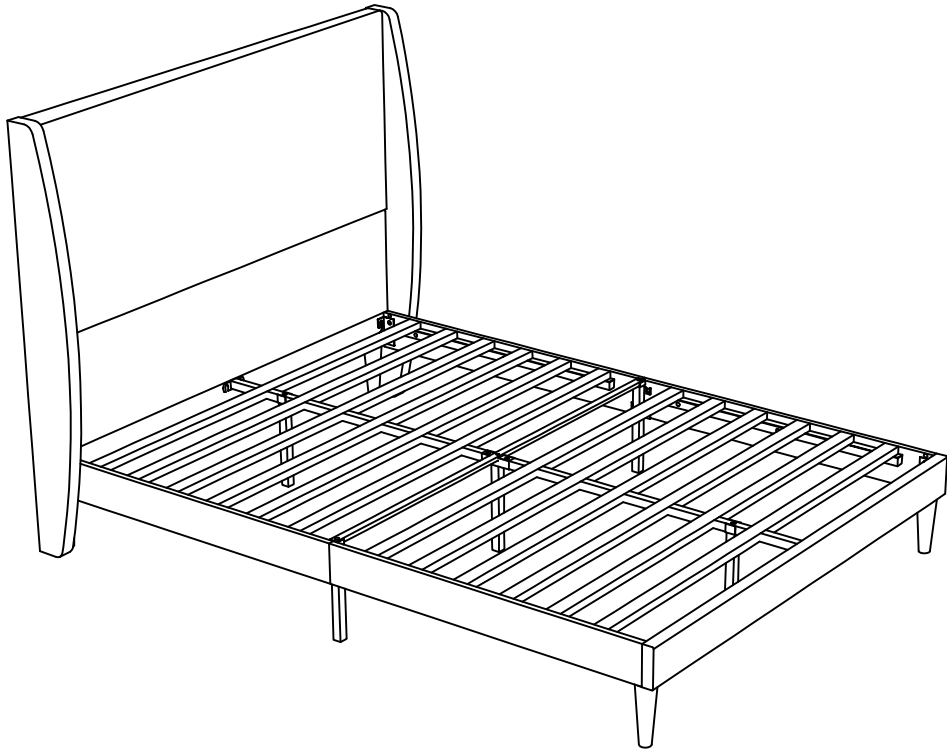
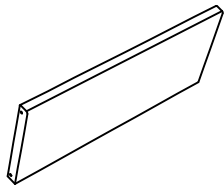


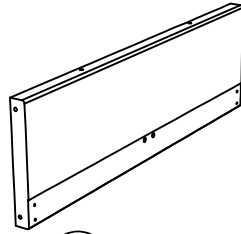
# Installation Manual



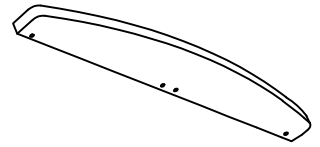
# Parts



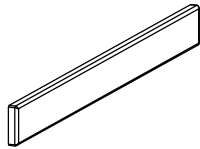
①x1PCS



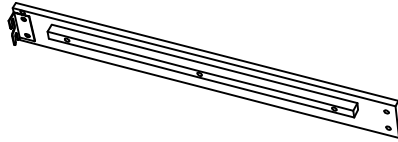
②x1PCS



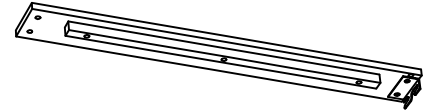
③x2PCS



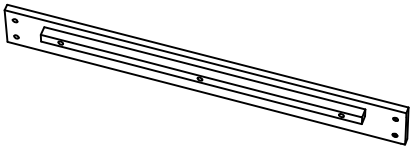
④x1PCS



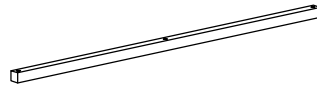
⑤x1PCS



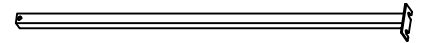
⑥x1PCS



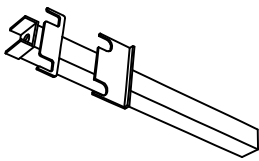
⑦x2PCS



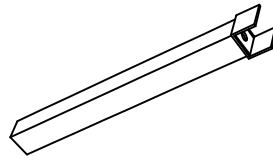
⑧x1PCS



⑨x2PCS



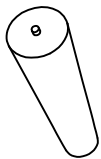
⑩x2PCS



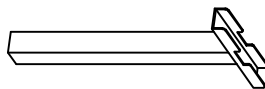
⑪x2PCS



⑫x2PCS



⑬x4PCS



⑭x1PCS



⑮x2PCS

# Hardware



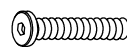
M8×18mm

Ⓐ×12pcs+1pc



M8×35mm

Ⓑ×18pcs+2pc



M8×45mm

Ⓒ×1pcs



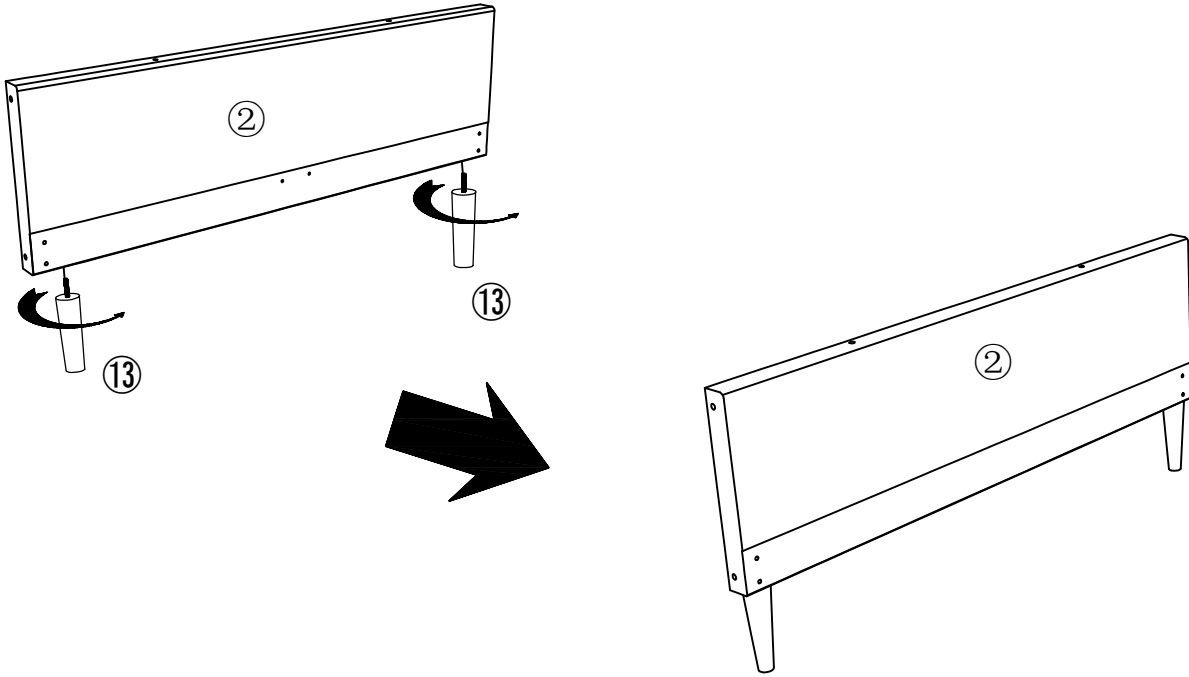
D5mm

Ⓓ×1pcs

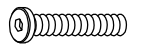
When replacement request, please tell us Component Alphabet and Model Number.

# 1

Note: For easy setup intention,  
do not tighten screws during  
the installation process

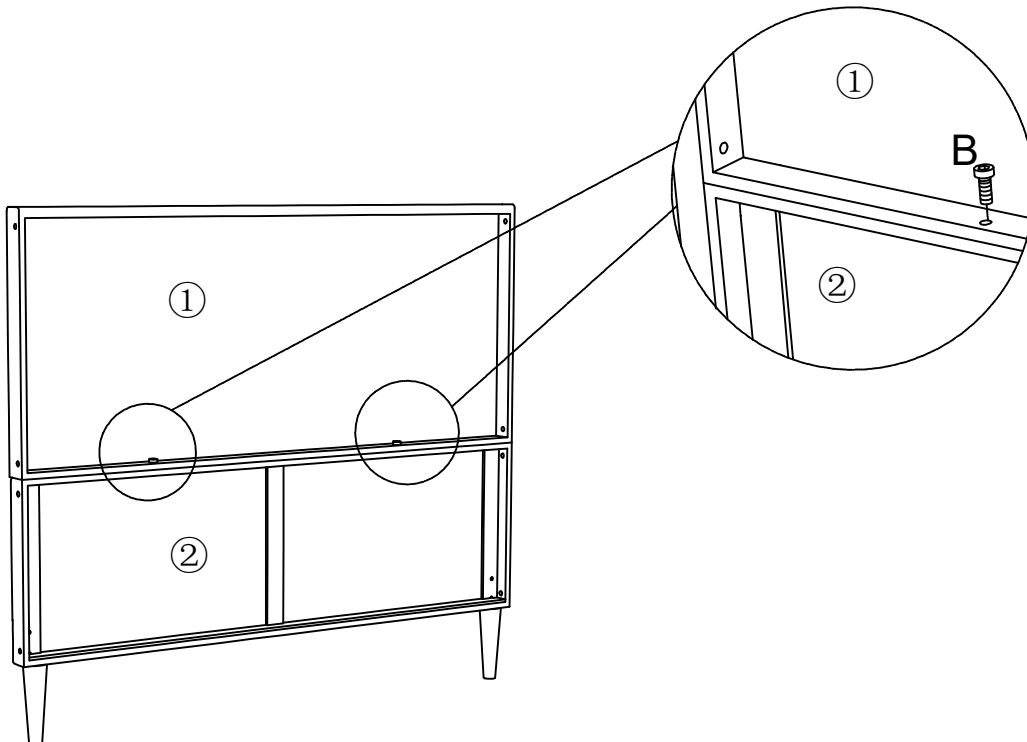


# 2

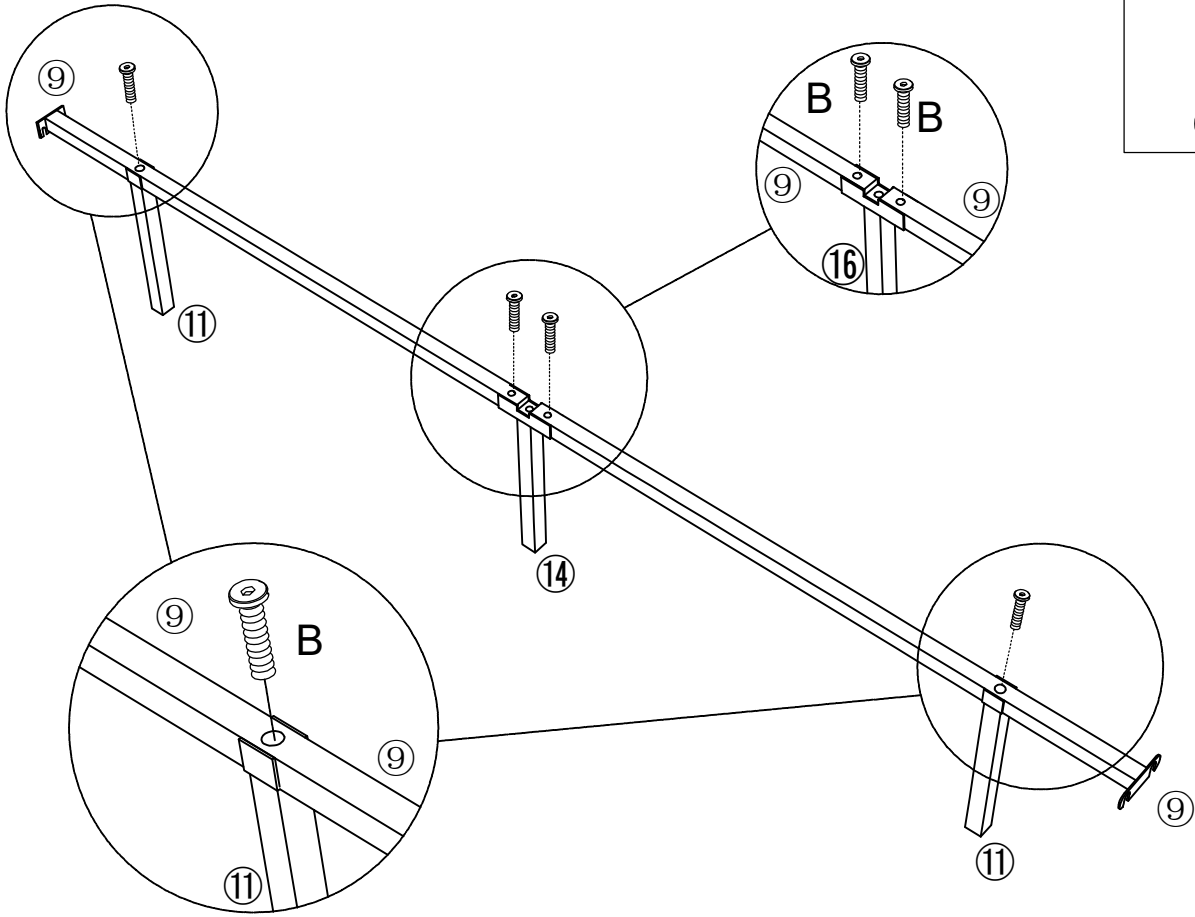


M8×35mm

(B) × 2pcs



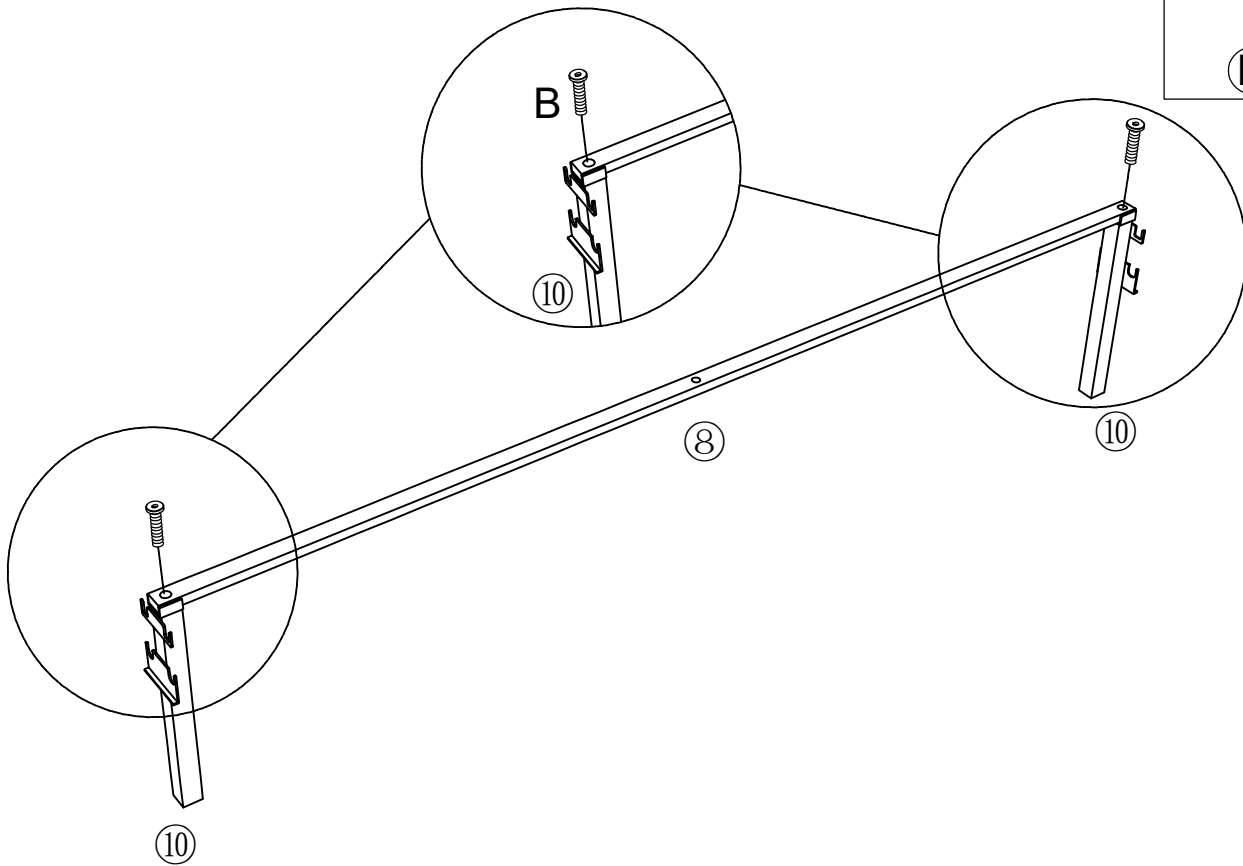
3



M8x35mm

B x 4pcs

4



M8x35mm

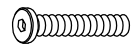
B x 2pcs

# 5



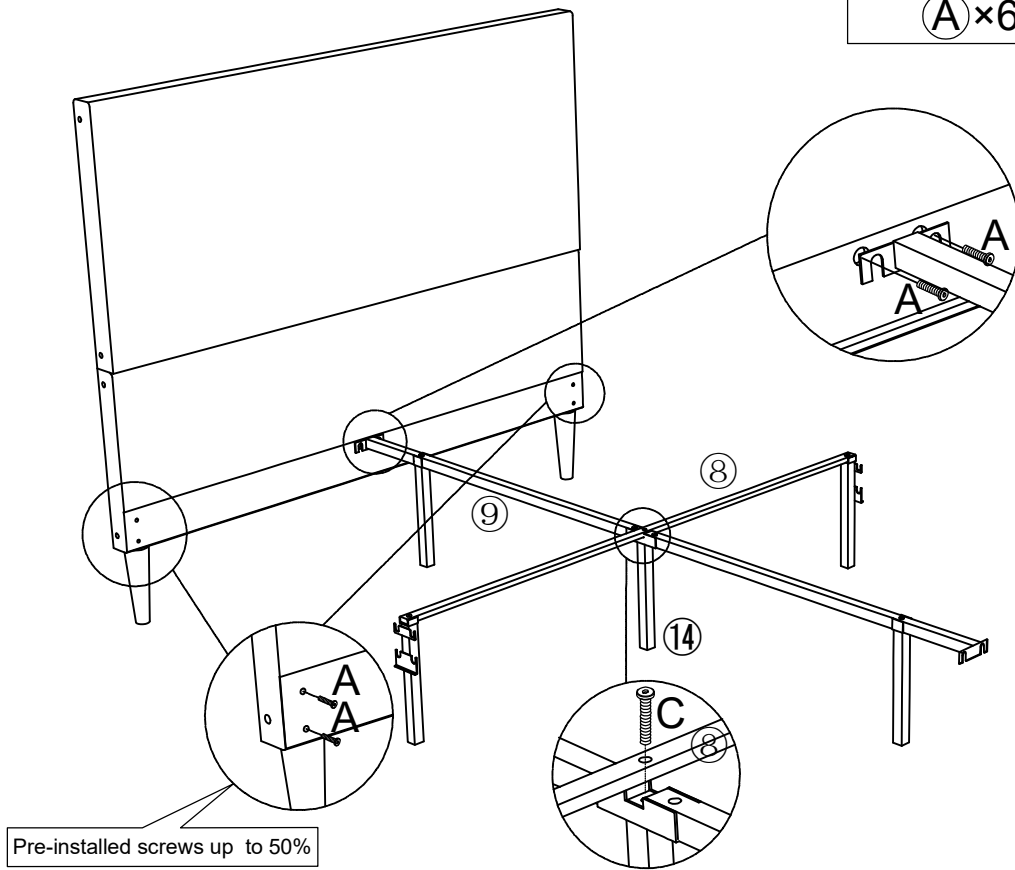
M8×18mm

A × 6 pcs

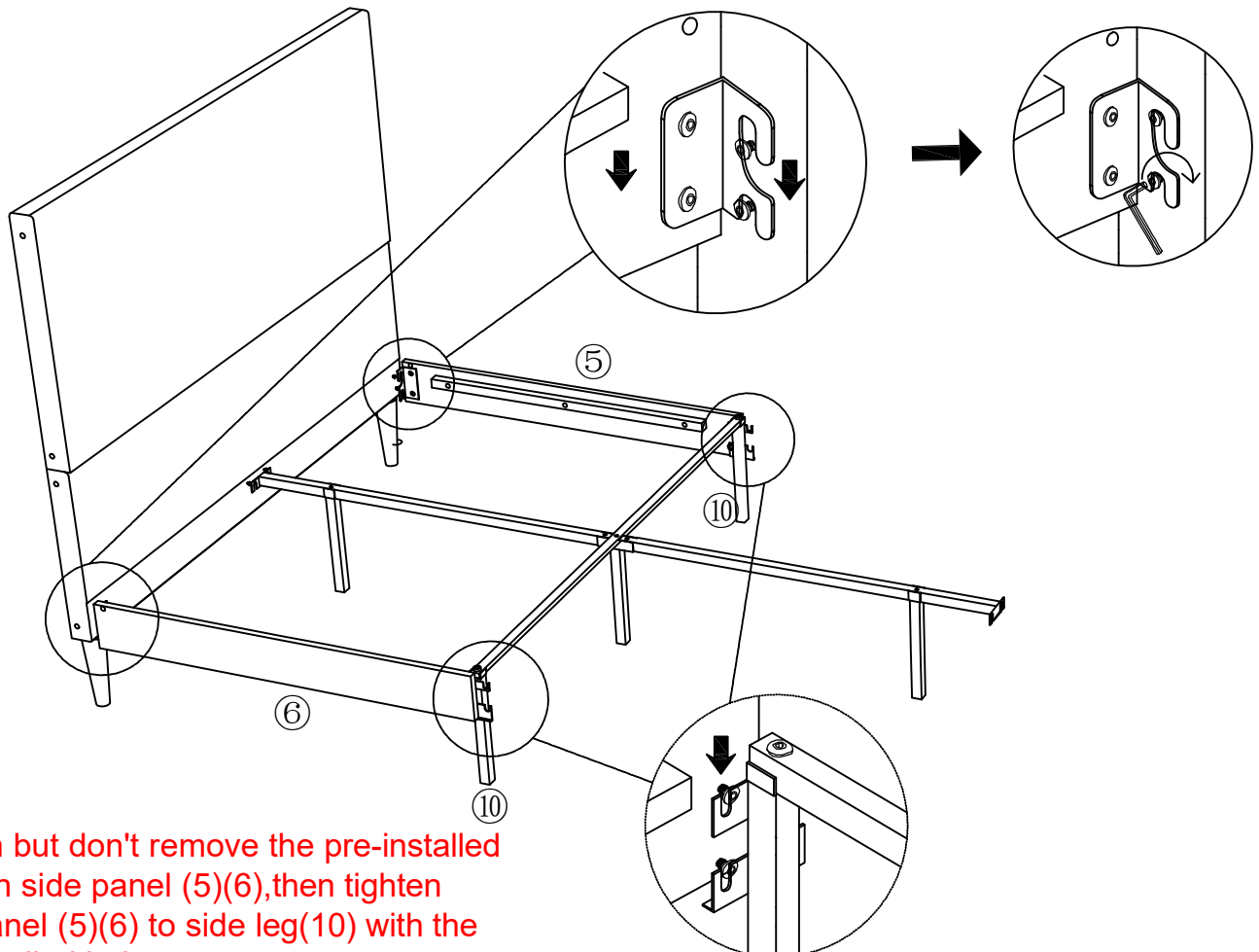


M8×45mm

C × 1 pcs

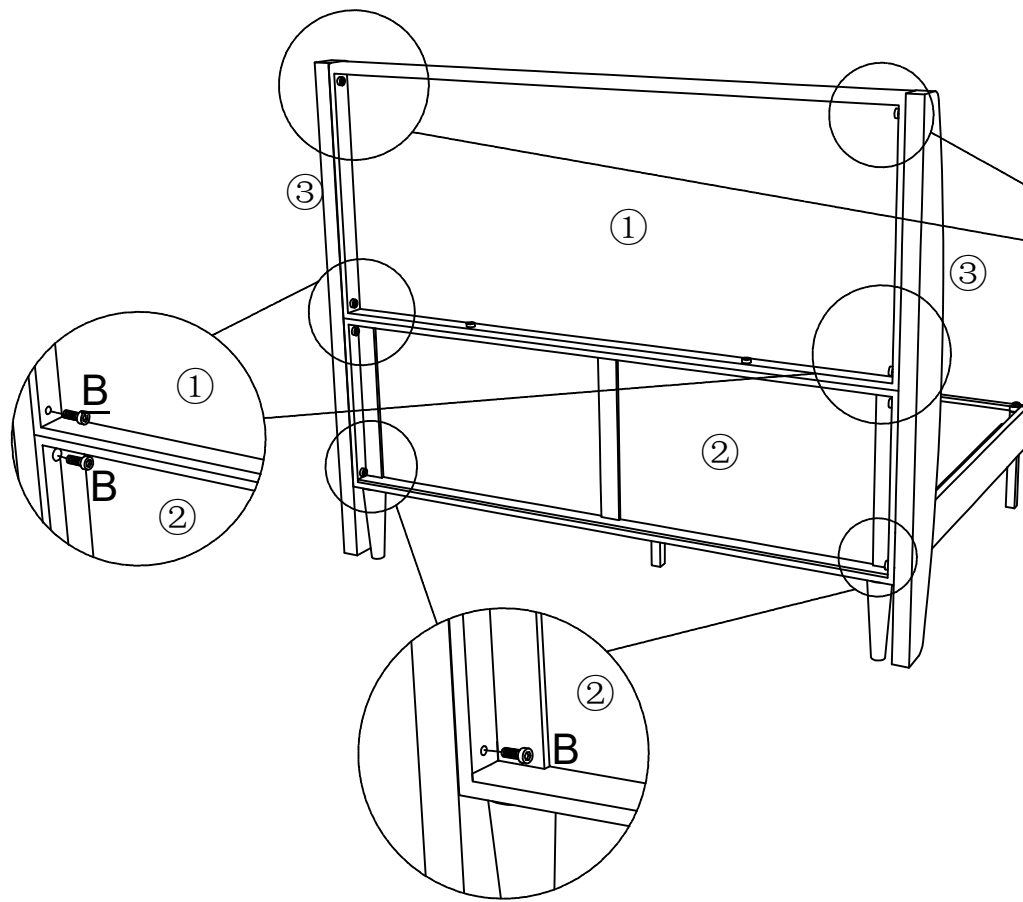


# 6



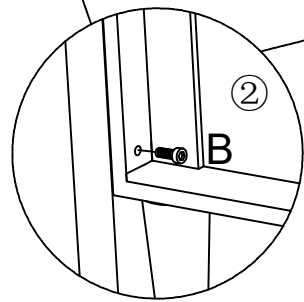
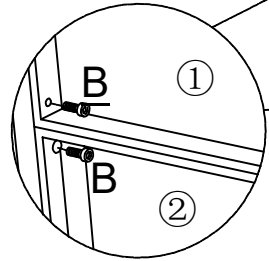
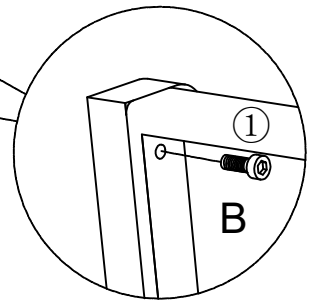
Loosen but don't remove the pre-installed bolts on side panel (5)(6), then tighten side panel (5)(6) to side leg (10) with the pre-installed bolts.

7

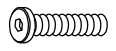
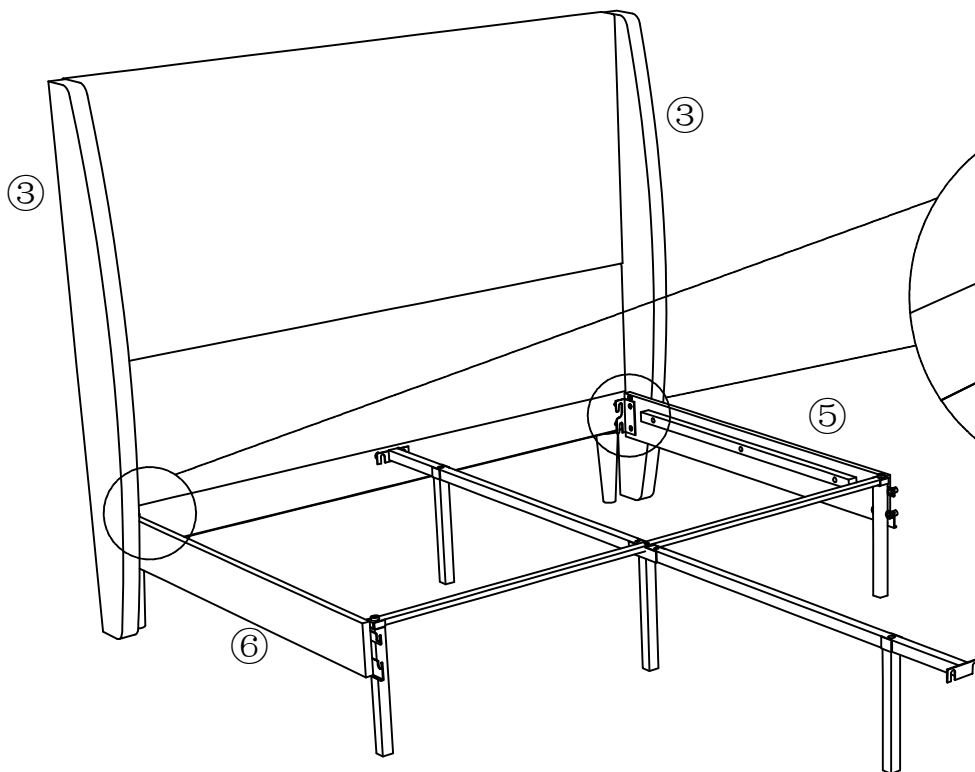


M8×35mm

B × 8pcs

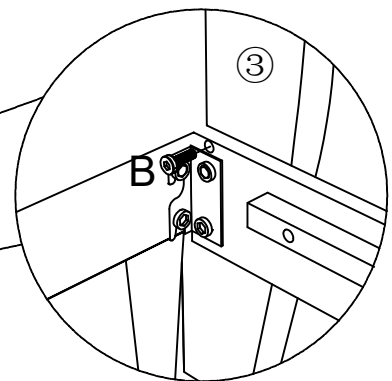


8

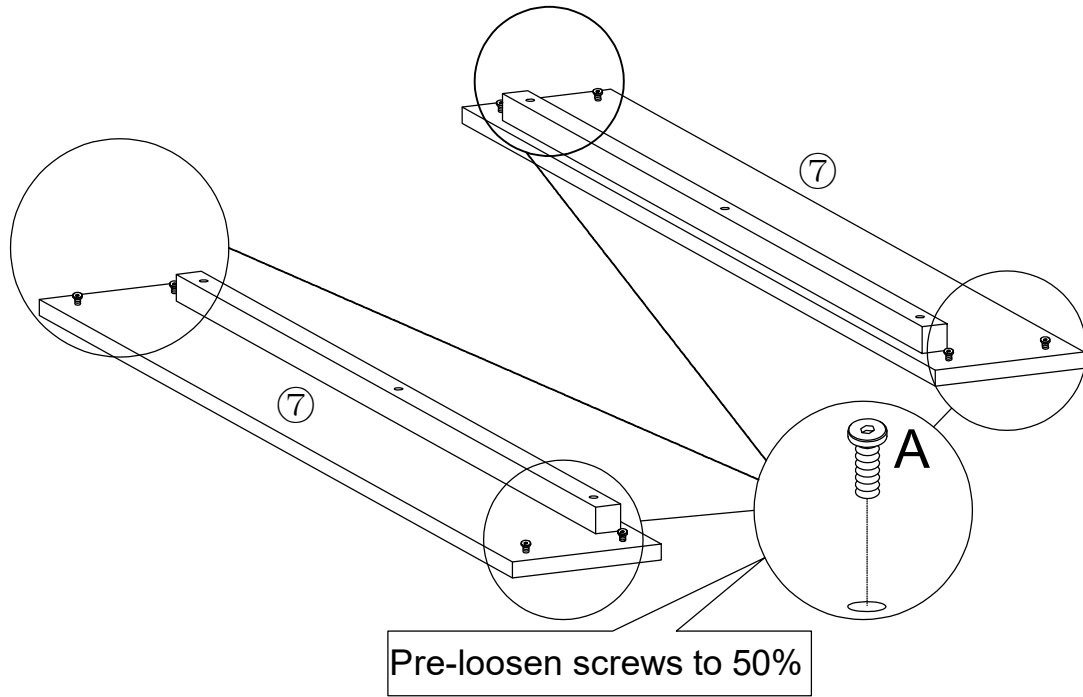


M8×35mm

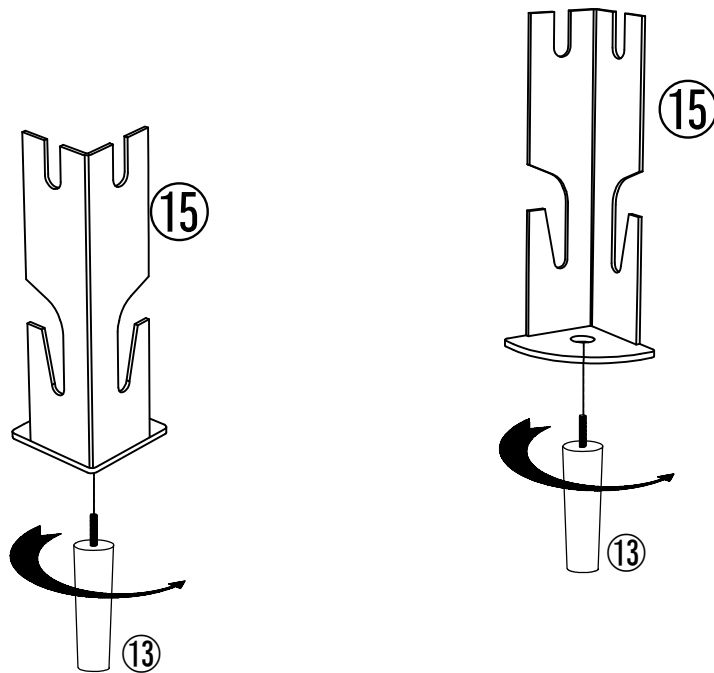
B × 2pcs



9

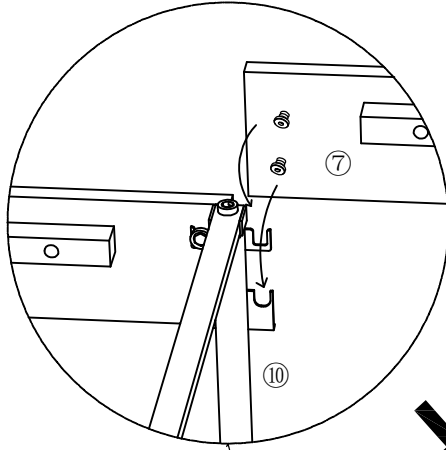


10

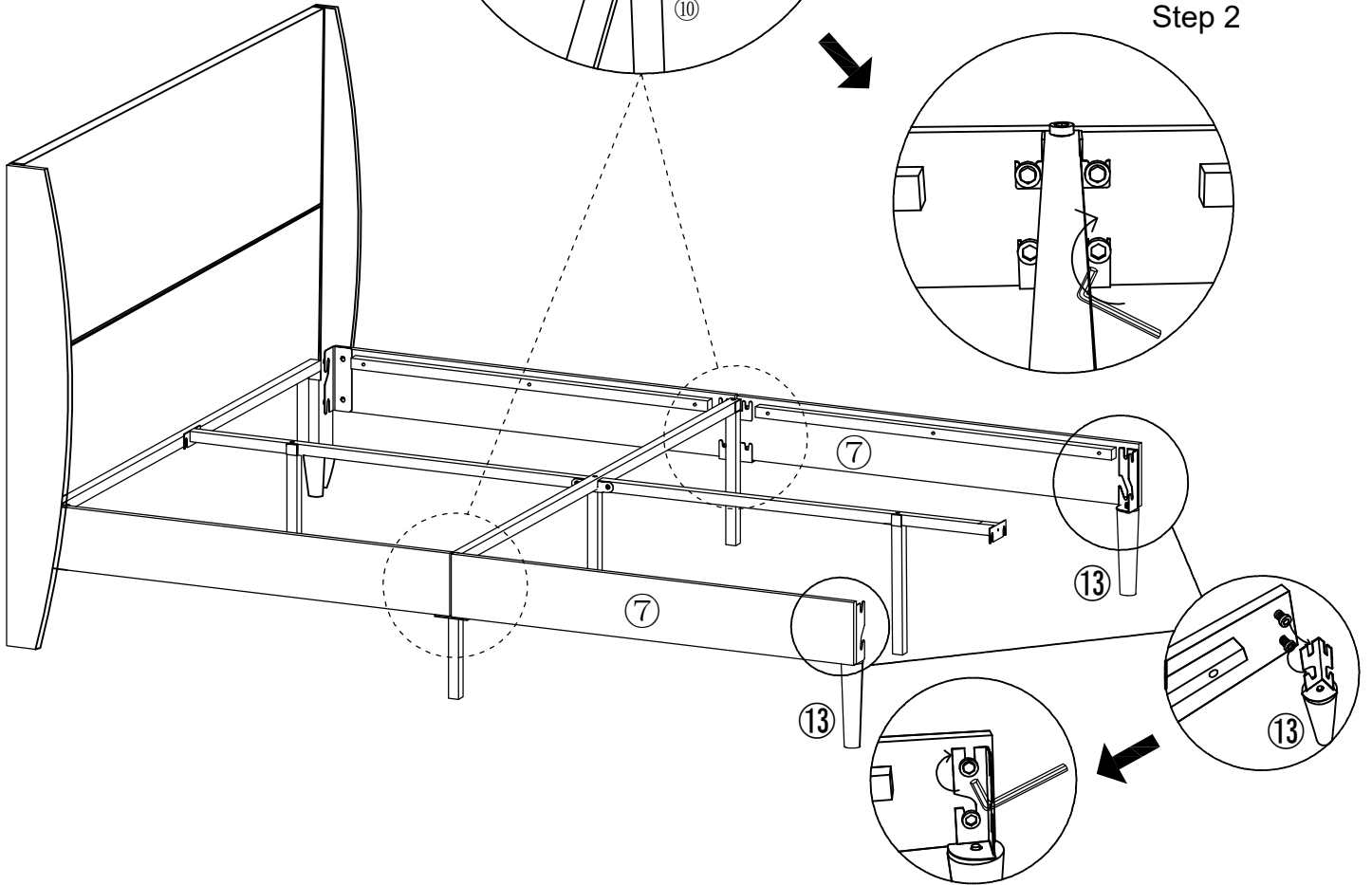
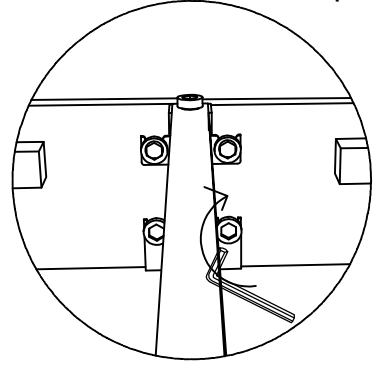


# 11

Step 1



Step 2



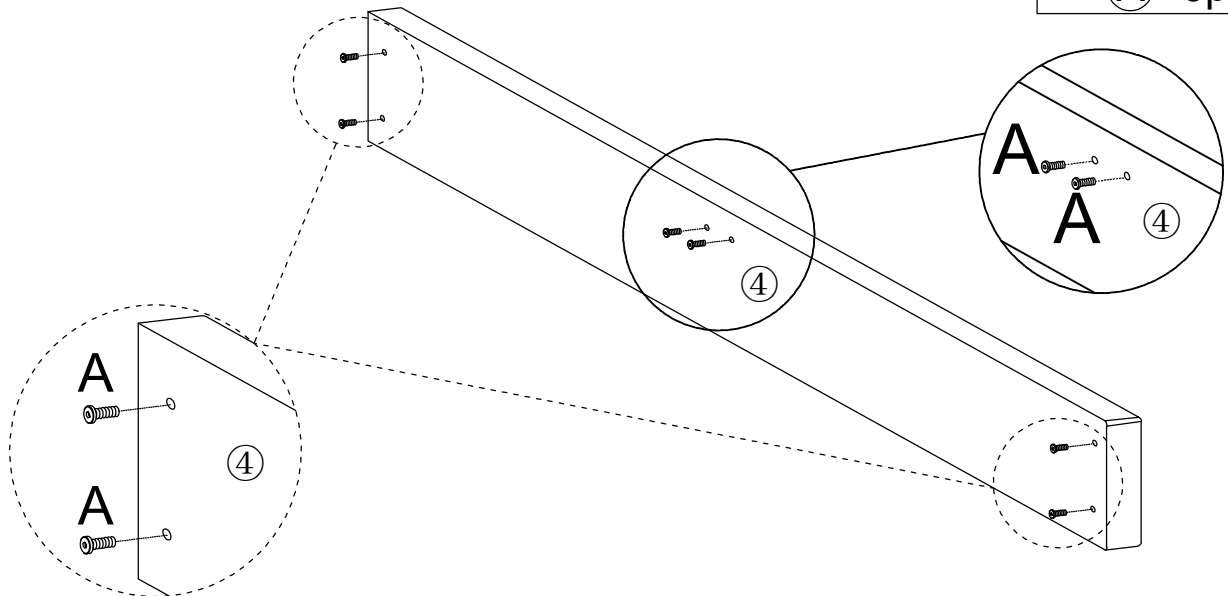
# 12

Please pre-install the screws to 50% first.



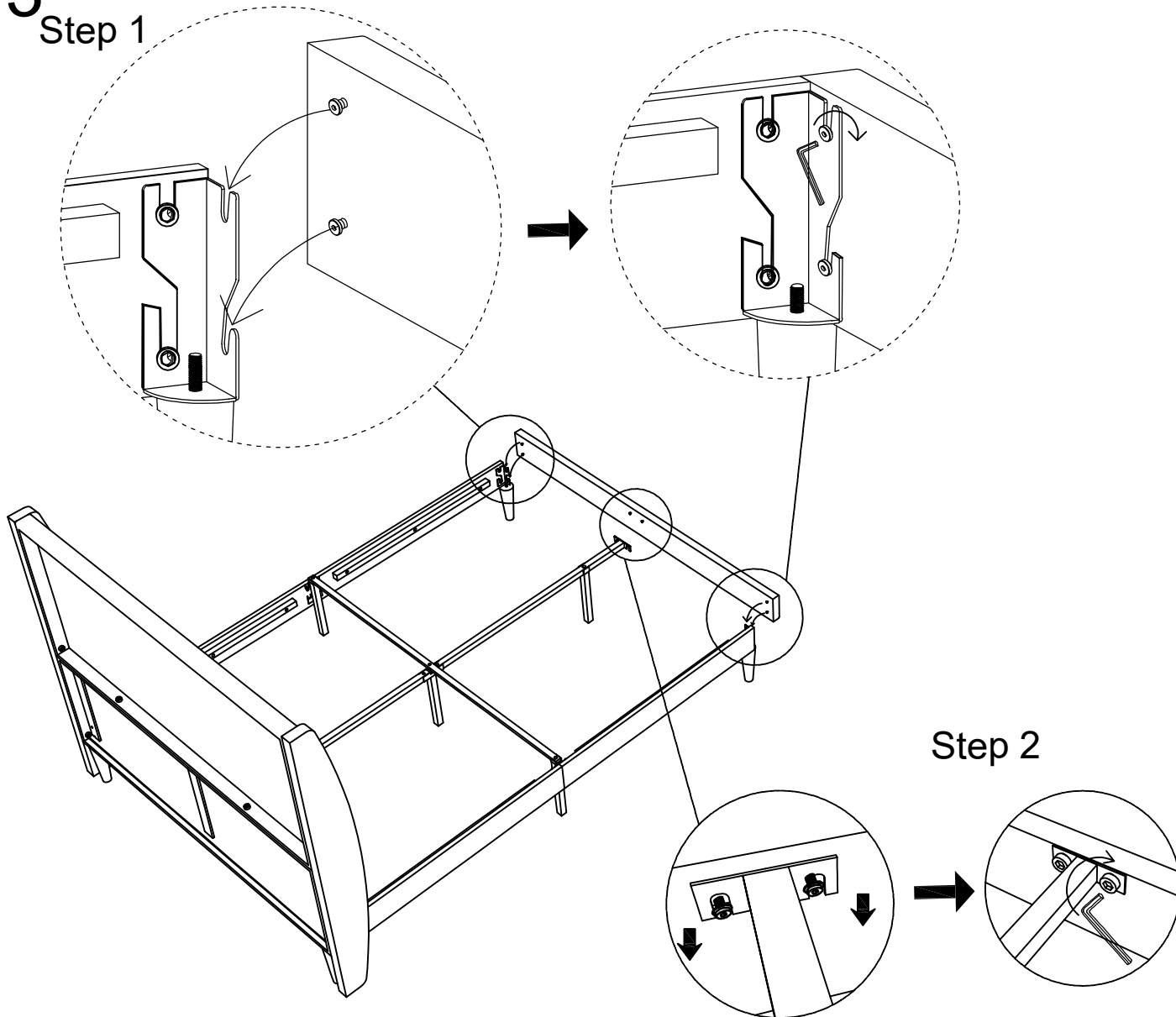
M8×18mm

A × 6pcs

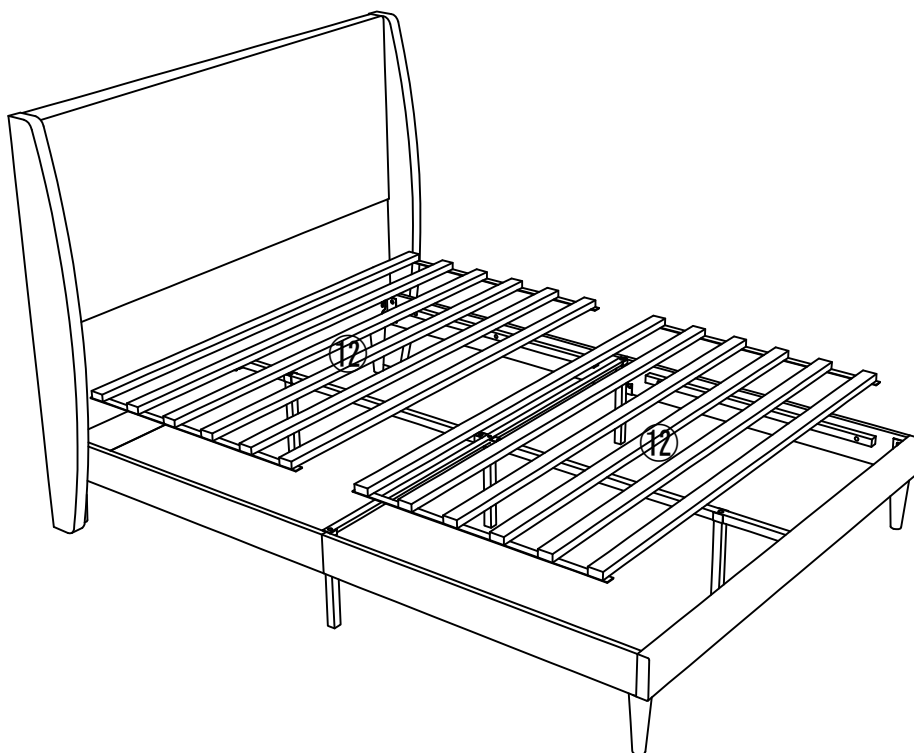


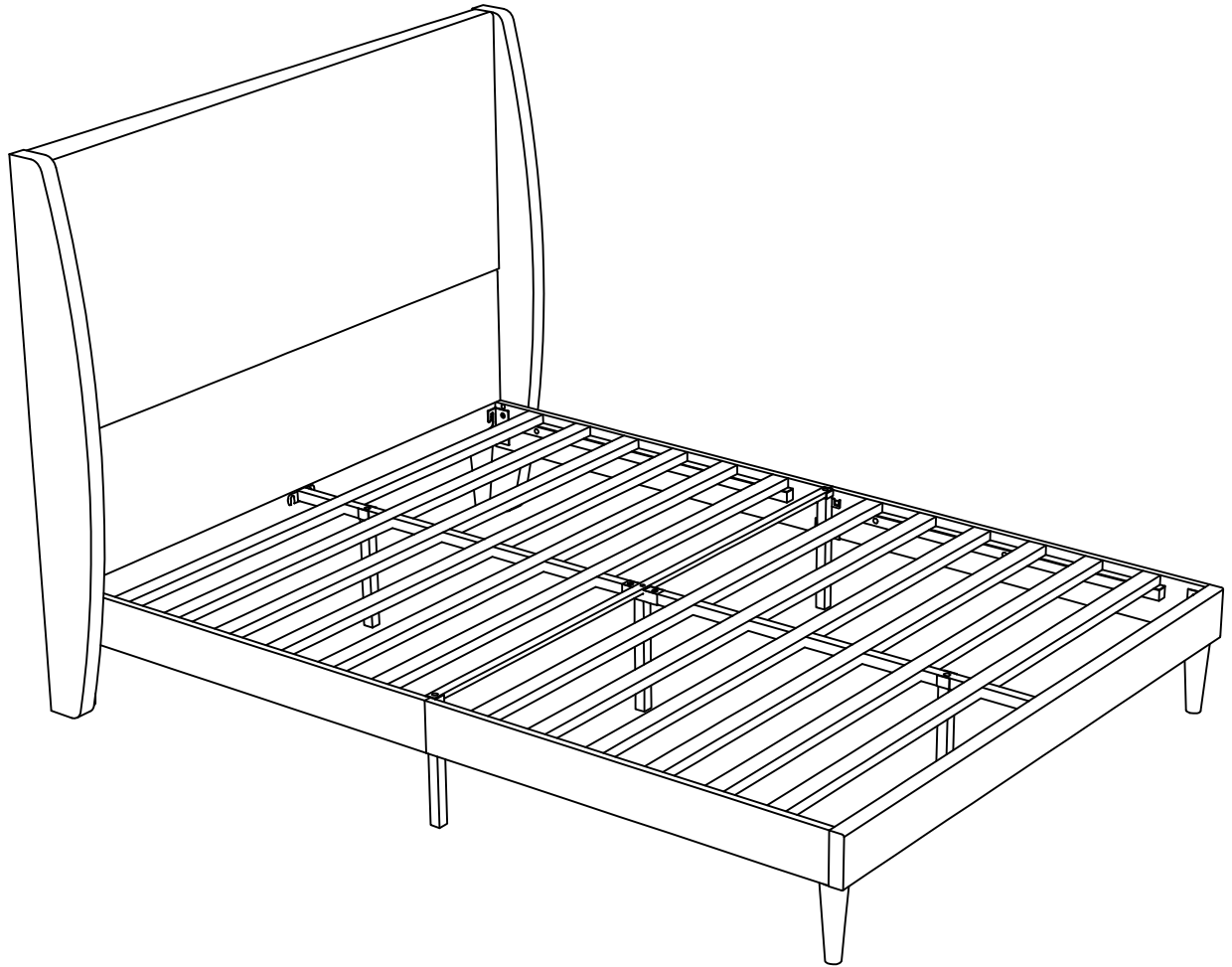
# 13

Step 1



# 14





### ▲ WARNINGS:

For safety reasons and to prevent injuries:

This bed is not intended for use by children under 4 years old.

Prohibit jumping and horseplay on this bed.

Do not use risers under this bed.