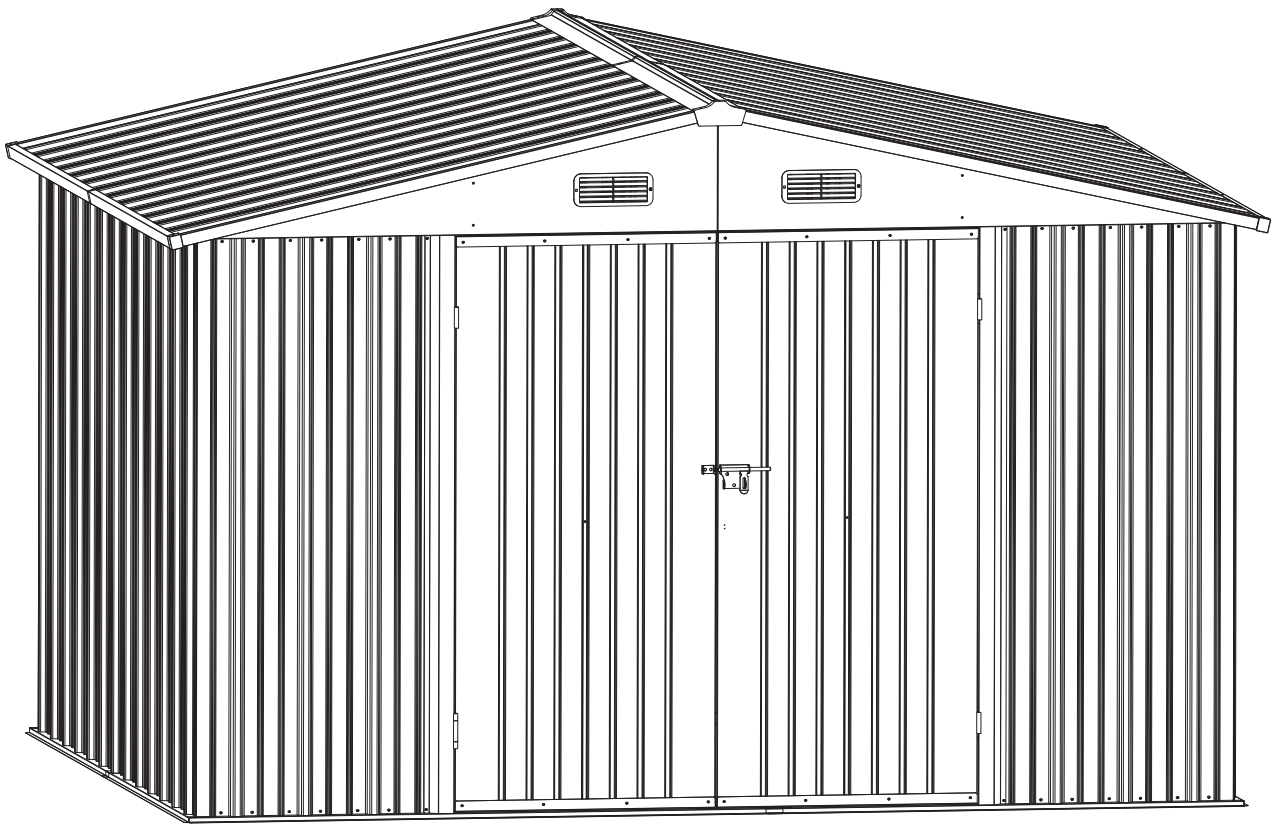


# Metal Garden Shed

## 10x10FT

## Assembly Instruction



### **ASSEMBLY INSTRUCTIONS**

#### **WARNING**

Please read the instruction manual carefully before assembly.  
Please assembly strictly in accordance with the instrution.  
Please double-check to ensure that all parts of the package contents intact.  
To avoid injury, work gloves are recommended during assembly.

## **PLAN AHEAD**

Before beginning installation, check local building codes regarding footings, location and other requirements.

Study and understand this instruction.

Important information and helpful tips will make your installation easier and more enjoyable.

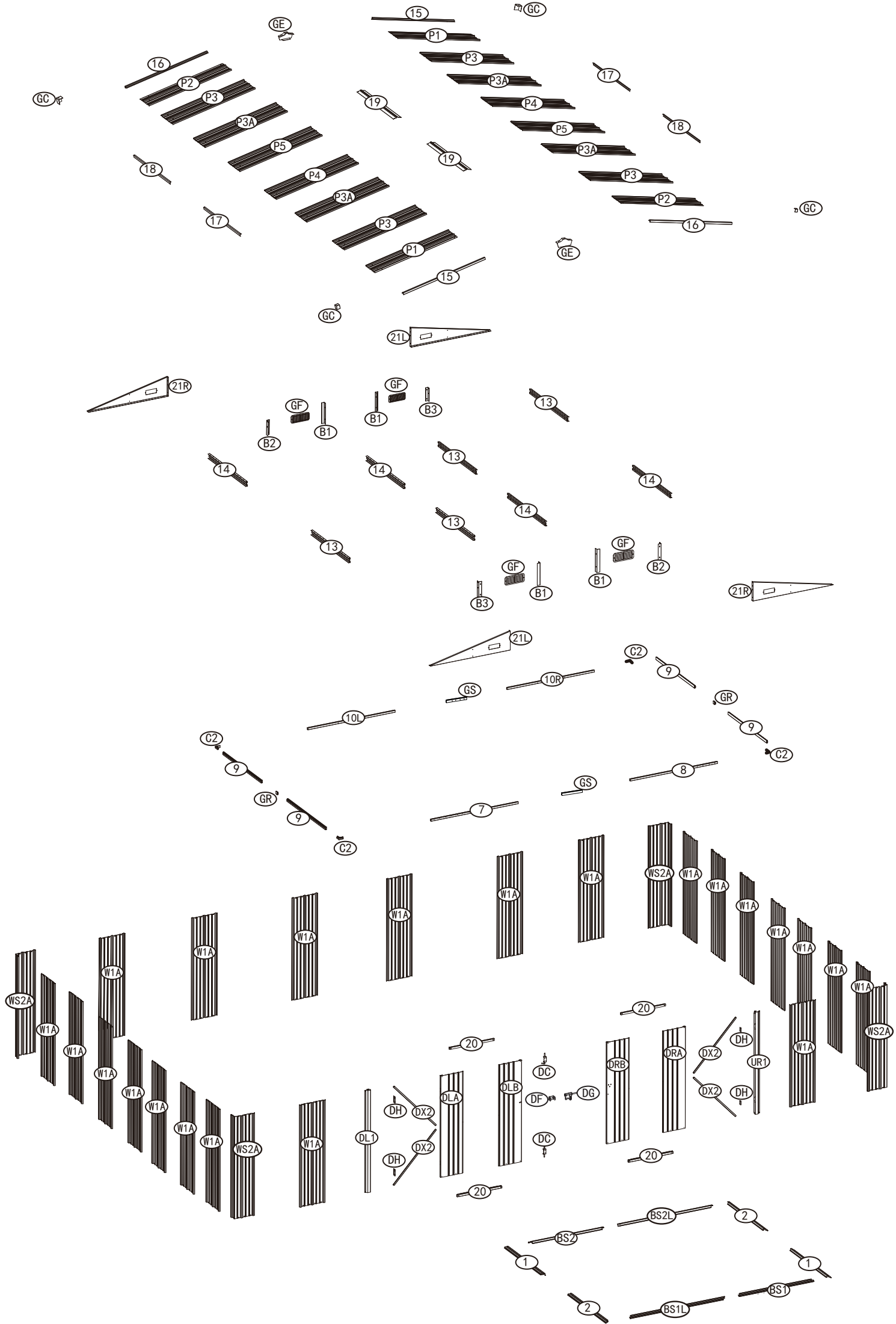
**Tools and Materials:** There are some basic tools and materials you will need for the installation. Decide which method of anchoring and the type of foundation you wish to use in order to form a complete list of the materials you will need.

## **BEFORE YOU BEGIN**

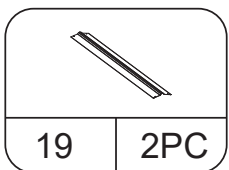
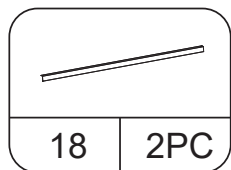
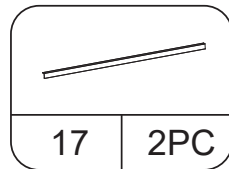
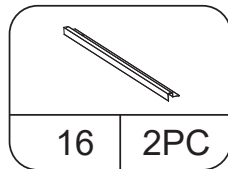
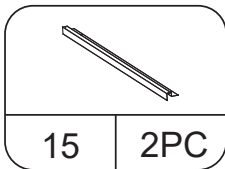
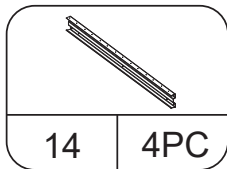
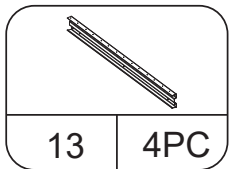
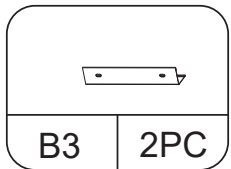
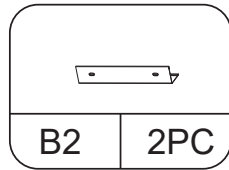
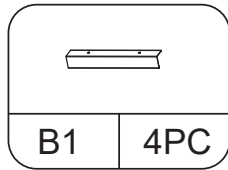
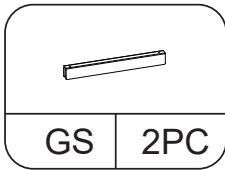
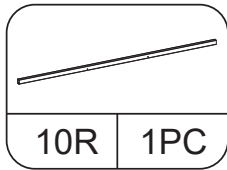
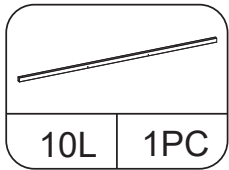
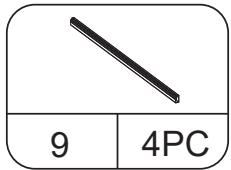
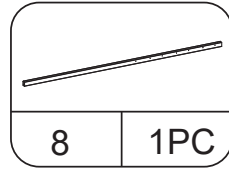
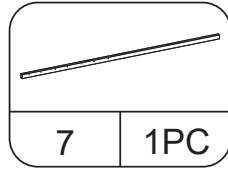
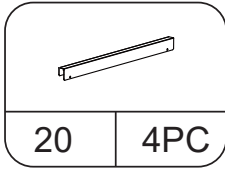
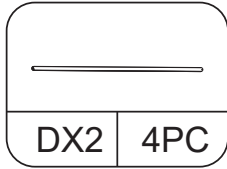
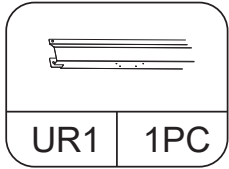
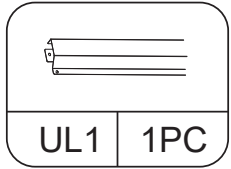
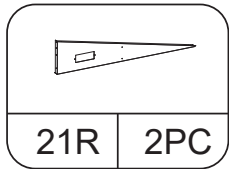
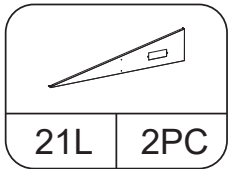
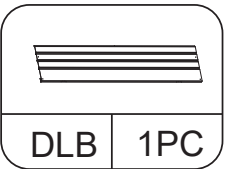
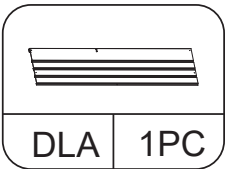
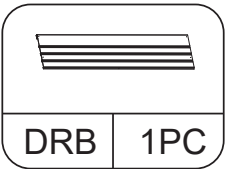
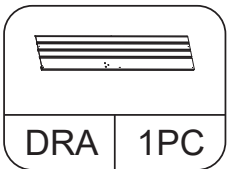
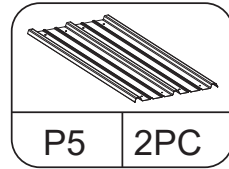
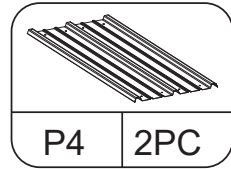
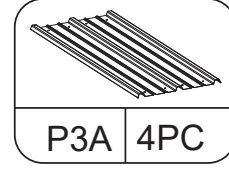
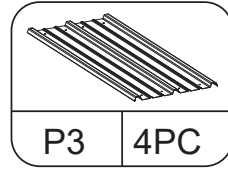
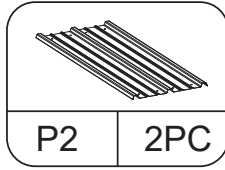
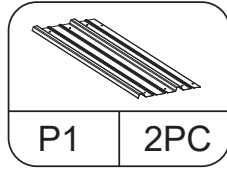
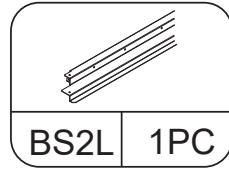
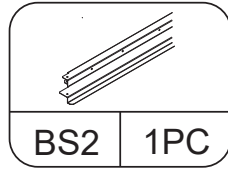
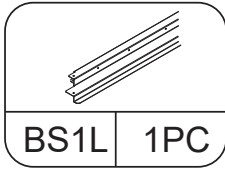
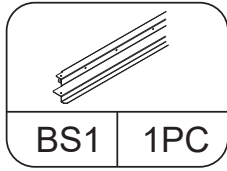
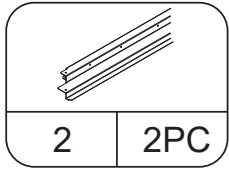
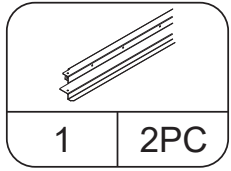
**Assembly Instruction:** Instructions are supplied in this manual and contain all appropriate information for your installation. Review all instructions before you begin, and during assembly, follow the step sequence carefully for correct results.

**Parts List:** Check to be sure that you have all the necessary parts and quantities in your package. These are packaged within the carton. Note that extra fasteners have been supplied for your convenience.

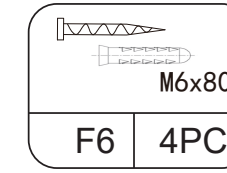
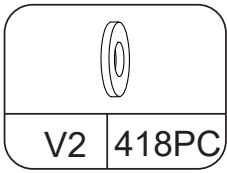
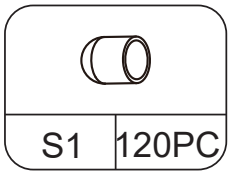
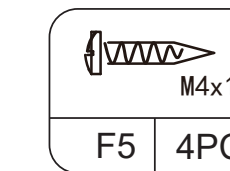
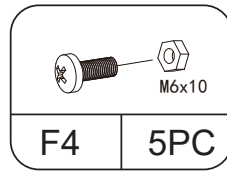
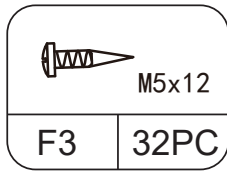
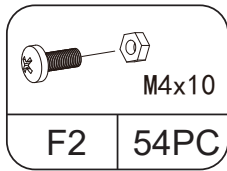
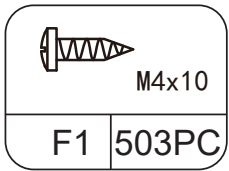
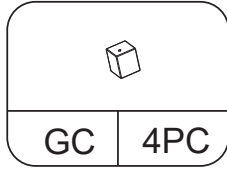
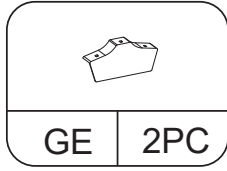
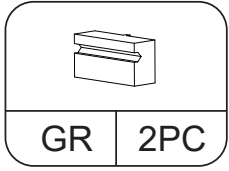
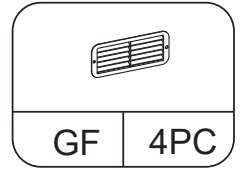
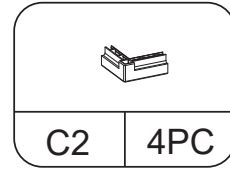
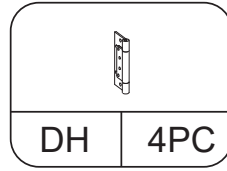
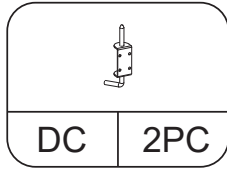
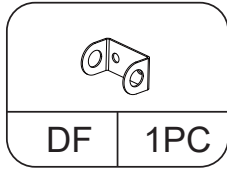
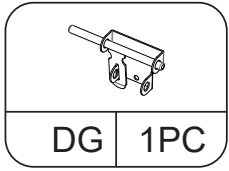
**Explosion Diagram:** All parts except screws and bolts are shown in this diagram, review all parts before you begin. Familiarize yourself with the hardware and fasteners for easier use during installation.

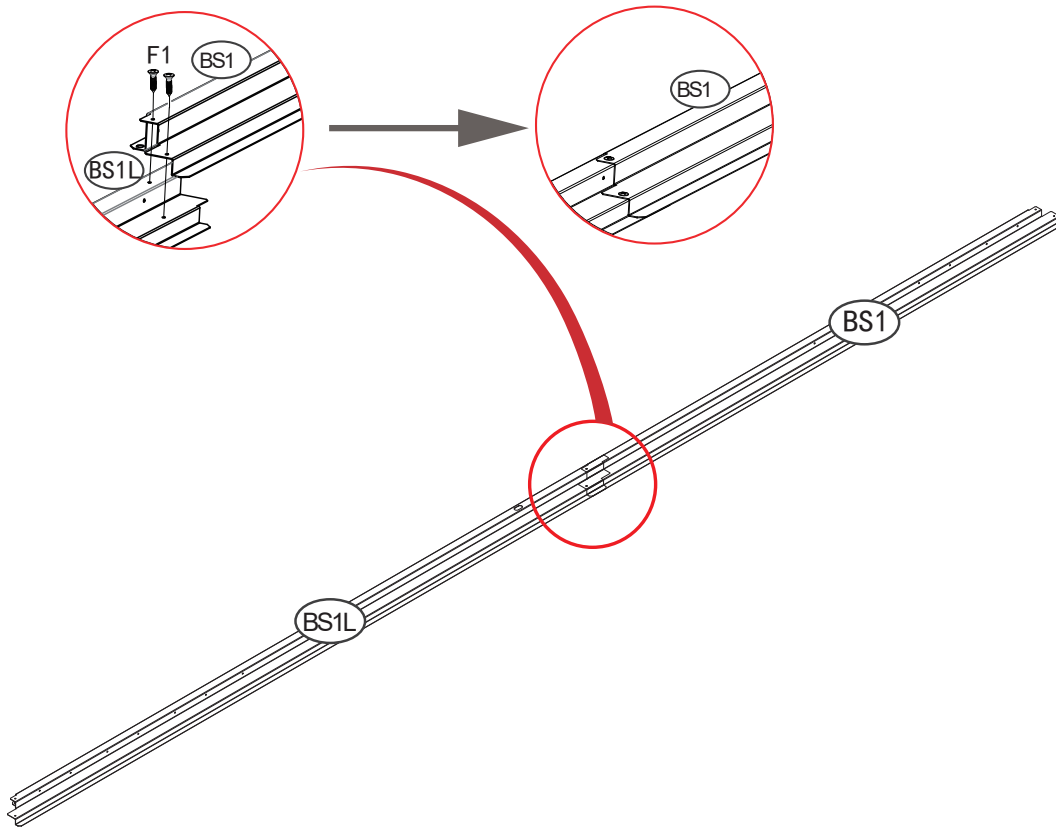


# Part List



# Part List

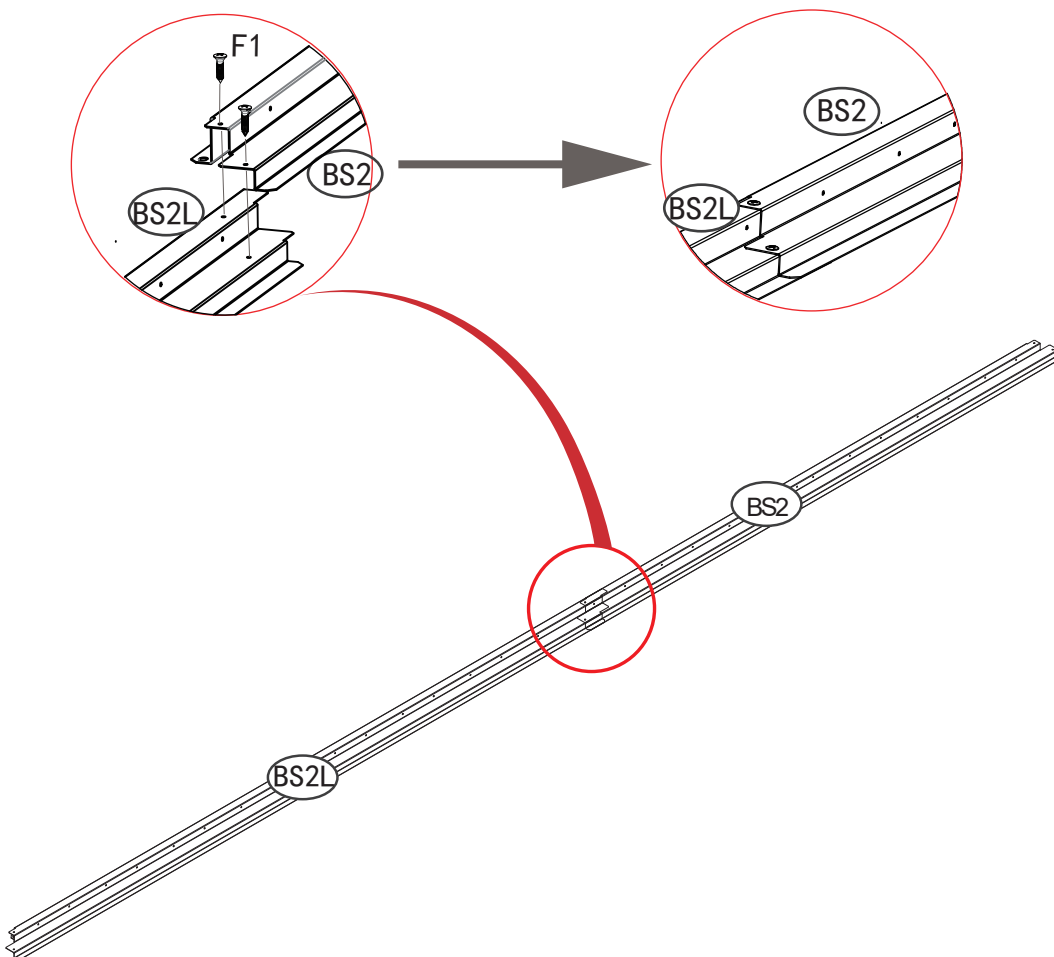




BS1	1PC

BS1L	1PC

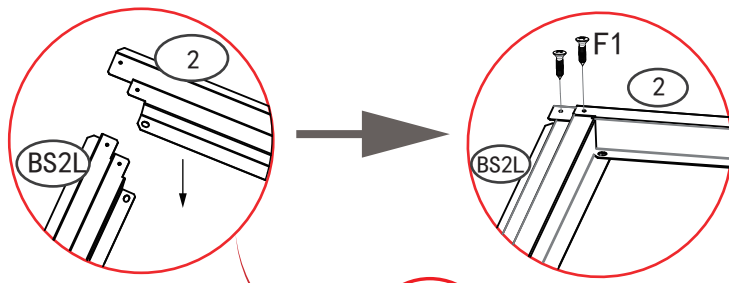
M4x10	
F1	2PC



BS2	1PC

BS2L	1PC

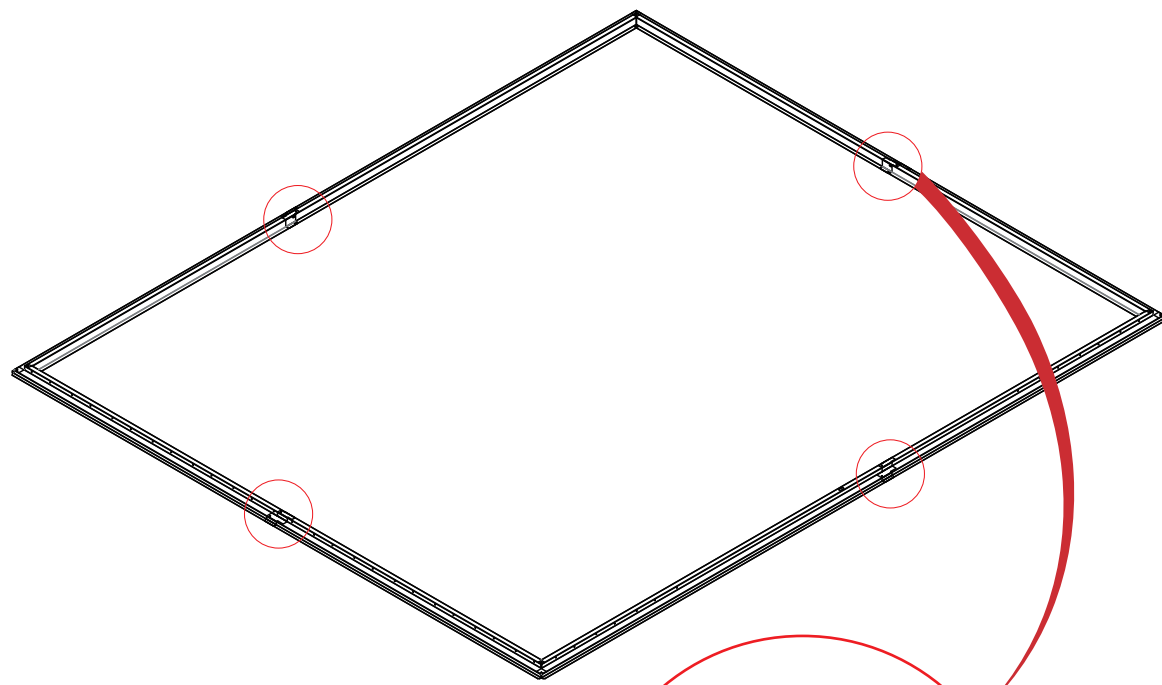
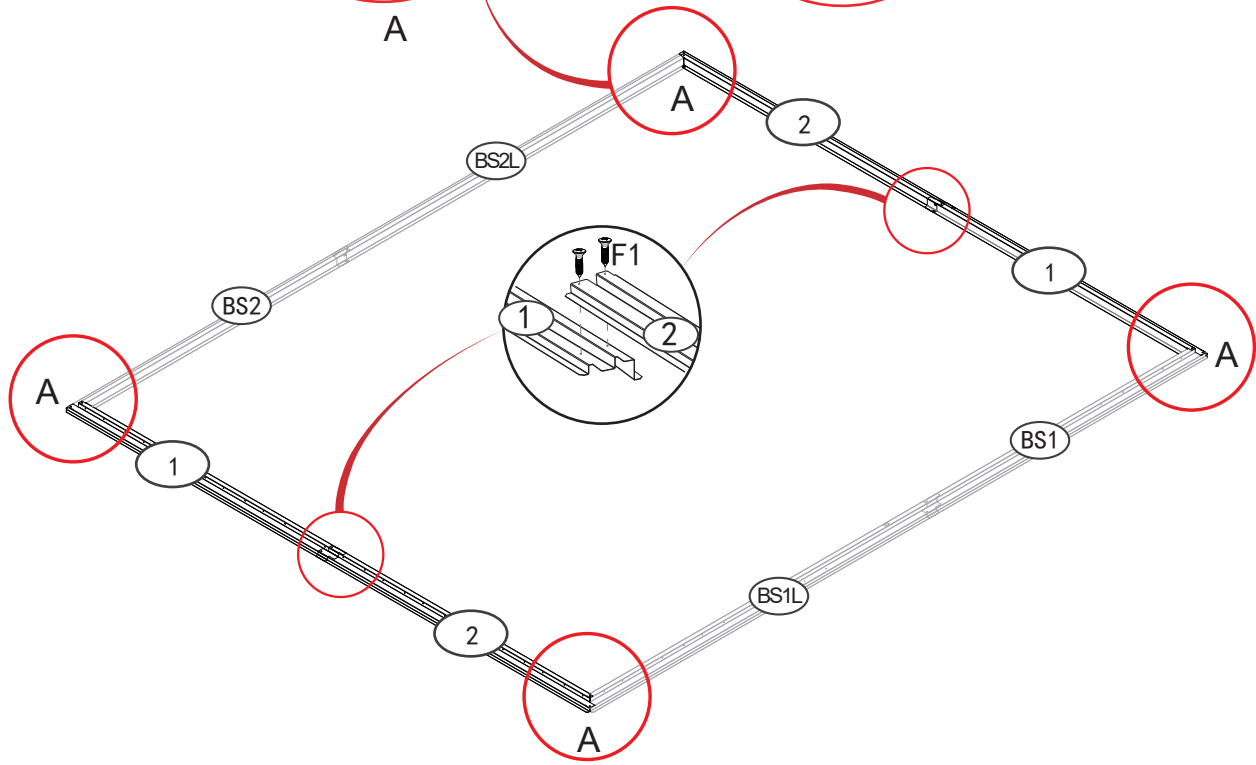
M4x10	
F1	2PC



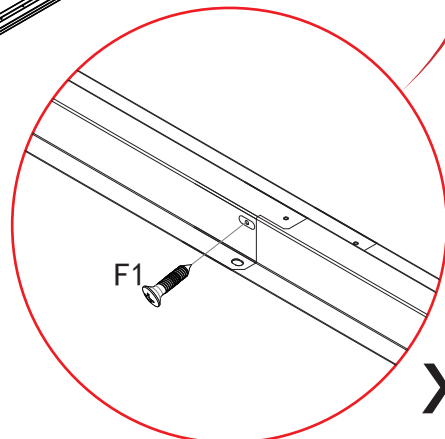
1	2PC

2	2PC

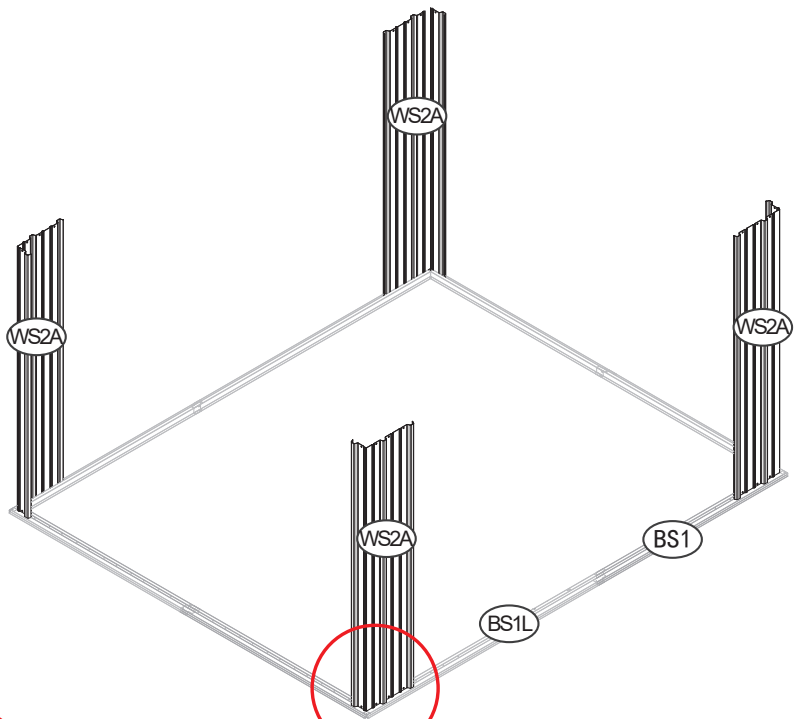
M4x10	
F1	12PC



M4x10	
F1	4 PC



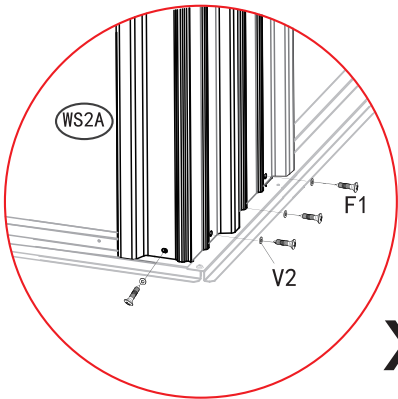
x4



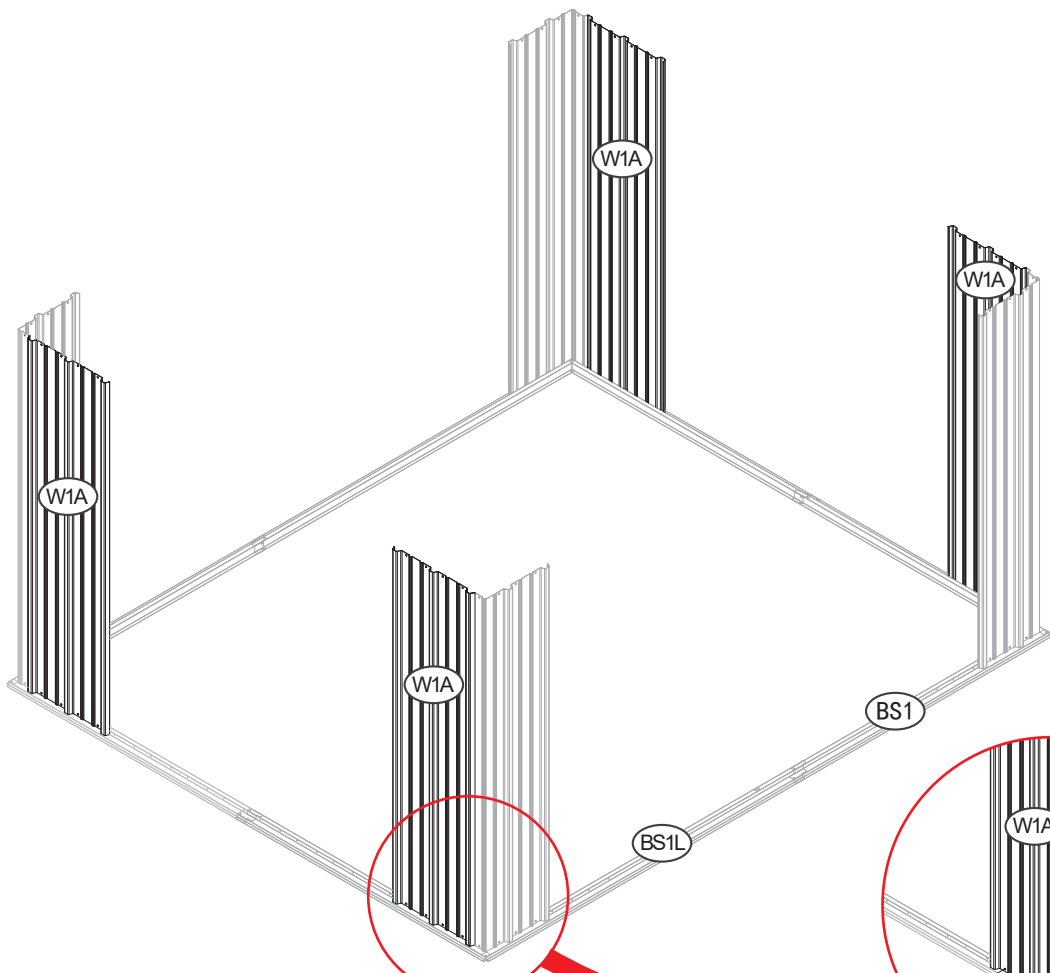
WS2A	4PC

M4x10	
F1	16PC

V2	16PC



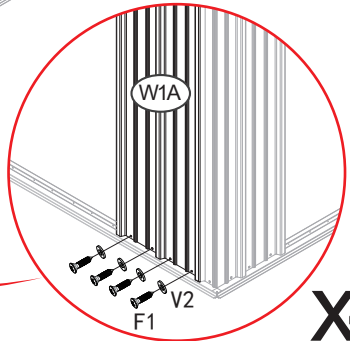
x4



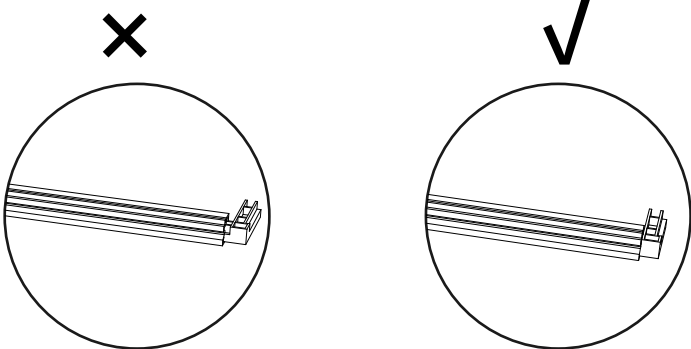
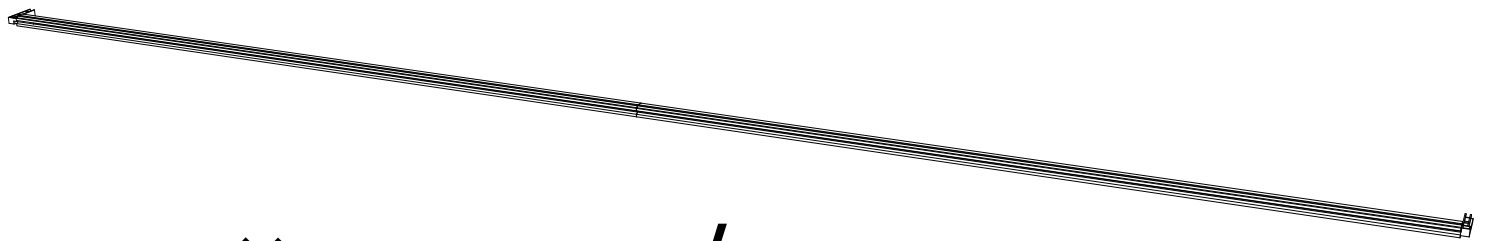
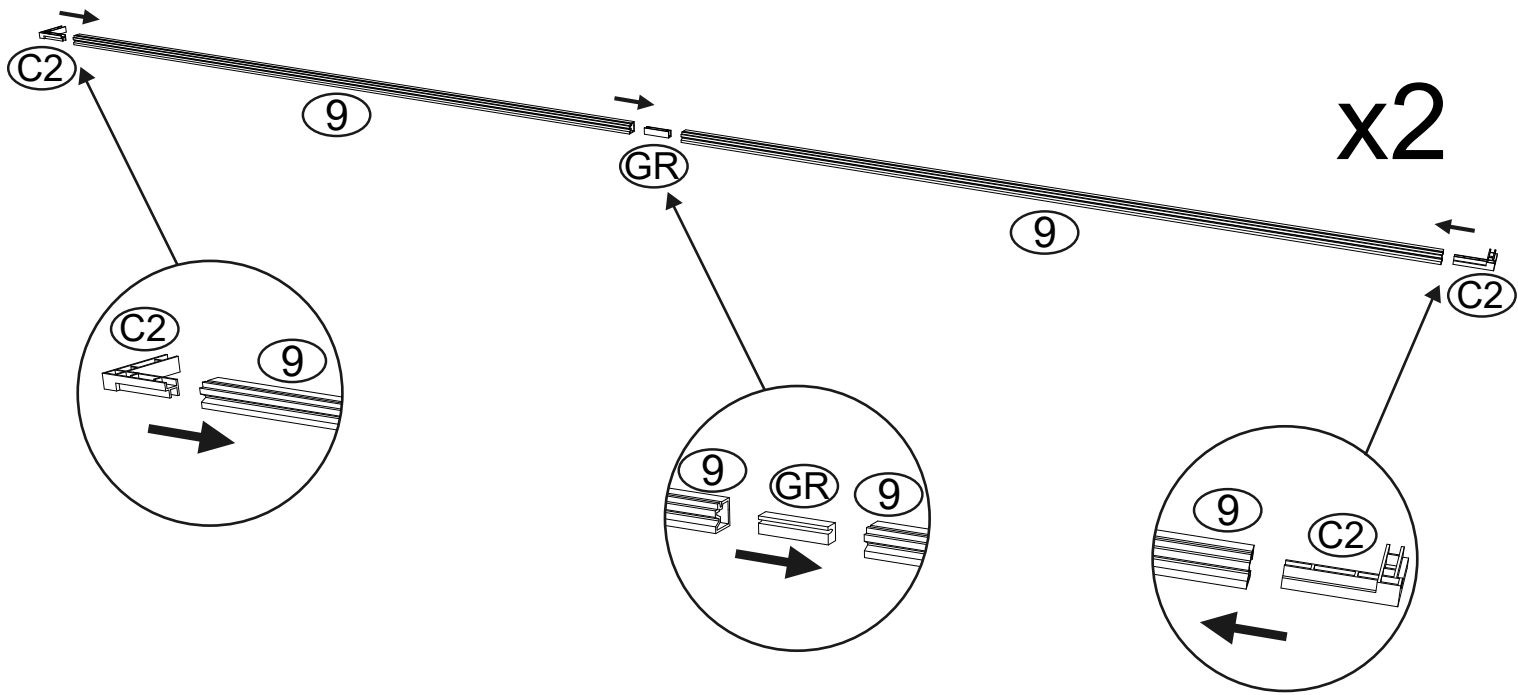
W1A	4PC

M4x10	
F1	16PC

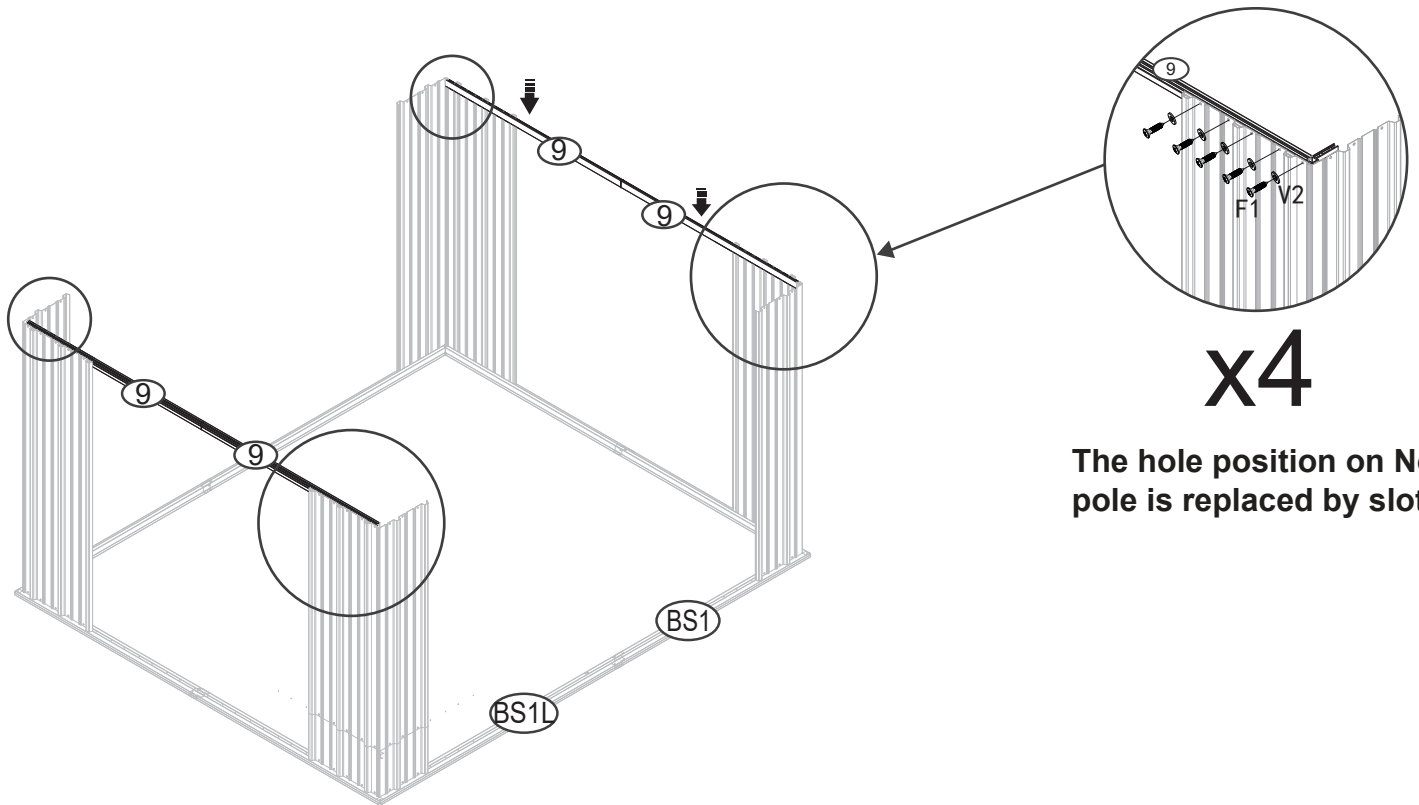
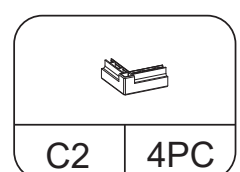
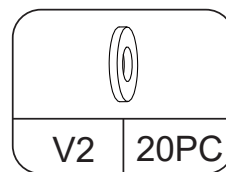
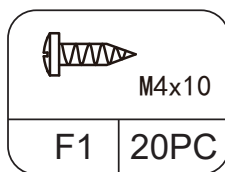
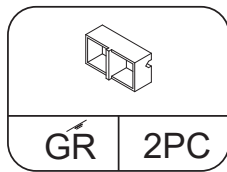
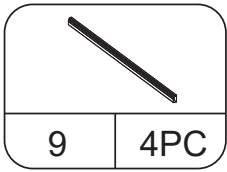
V2	16PC

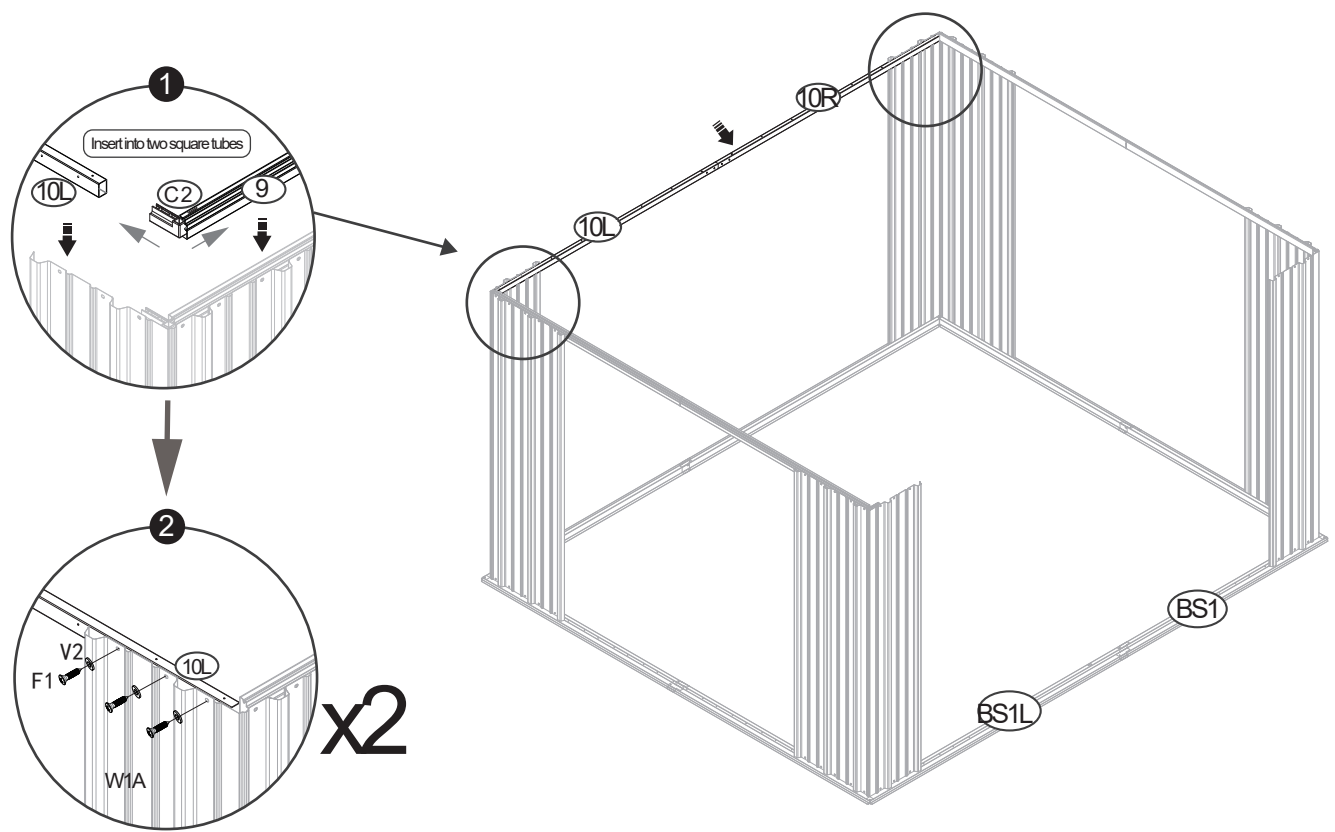
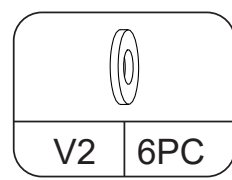
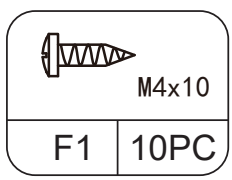
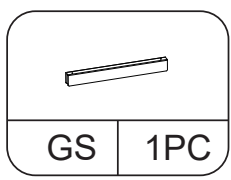
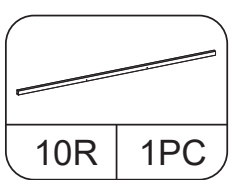
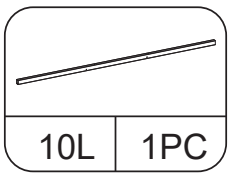
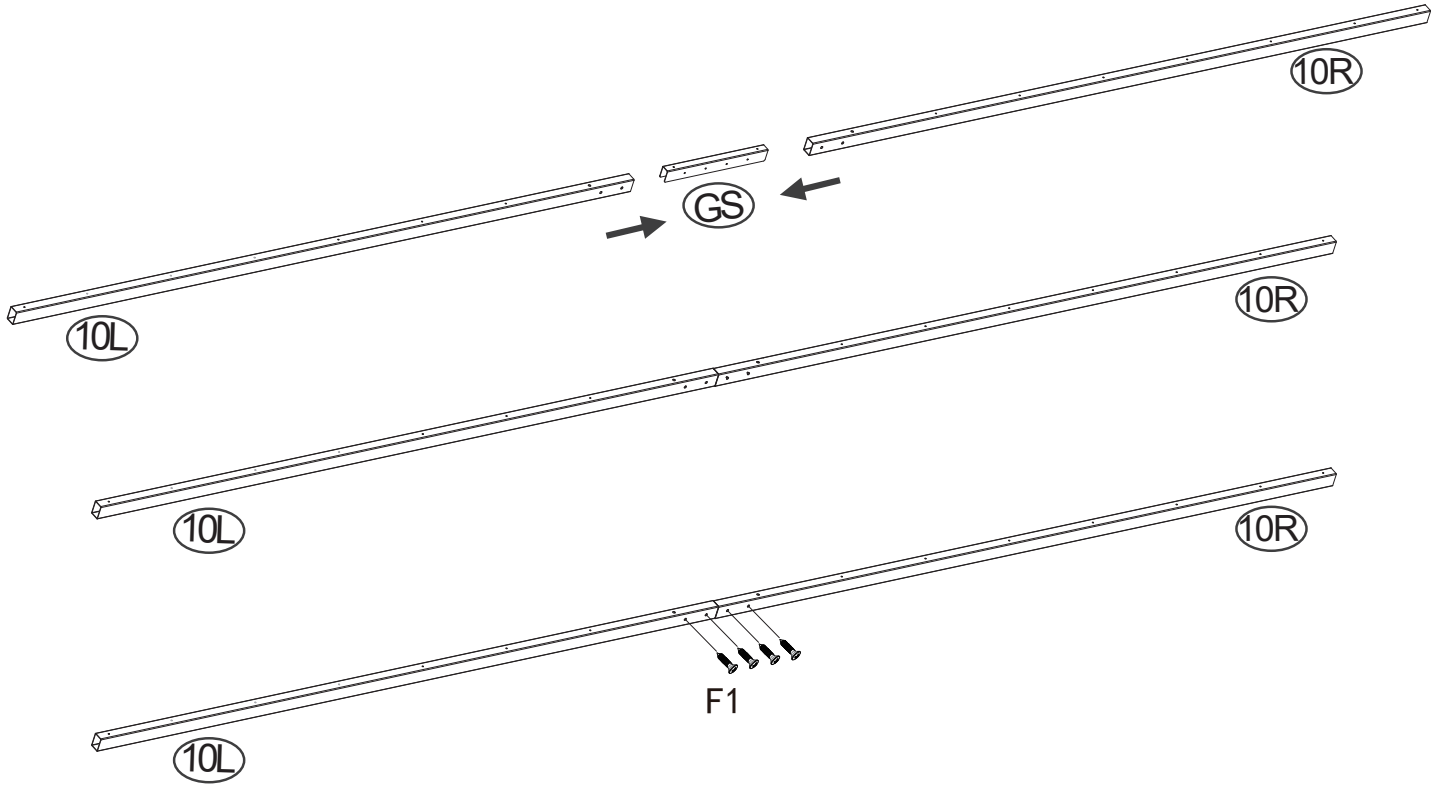


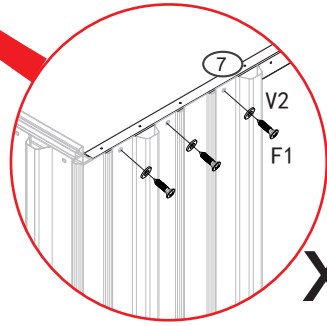
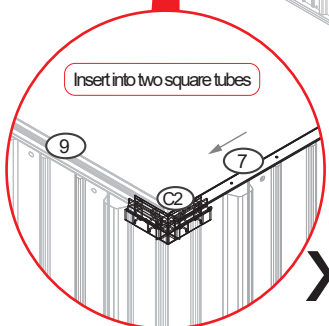
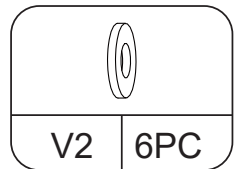
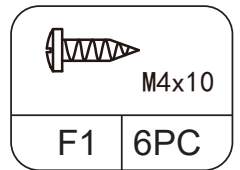
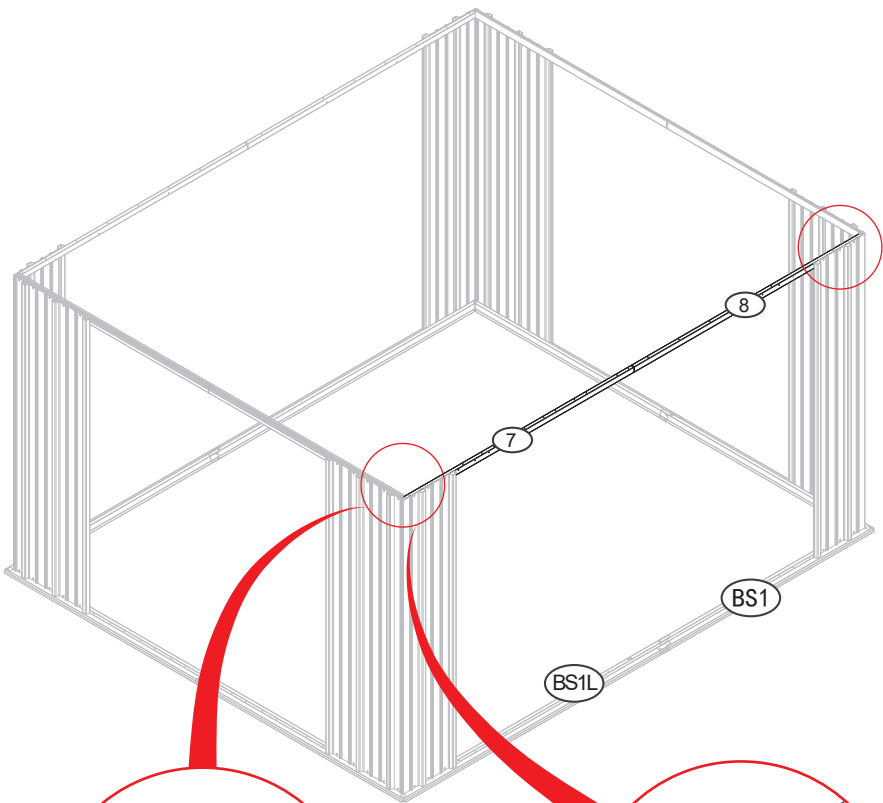
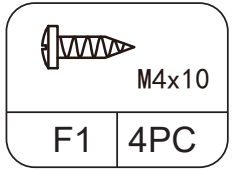
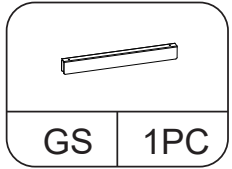
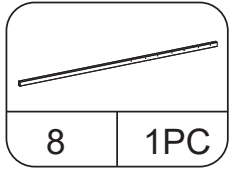
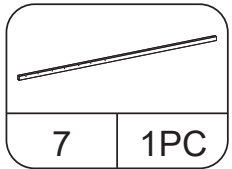
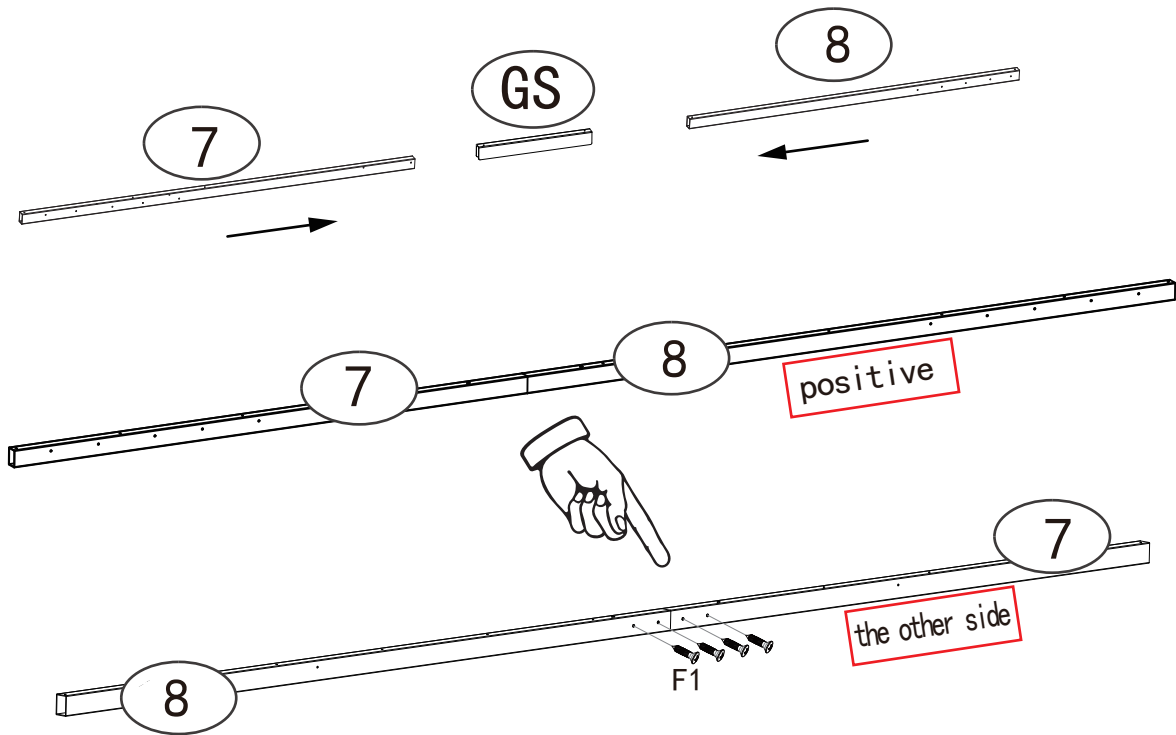
x4

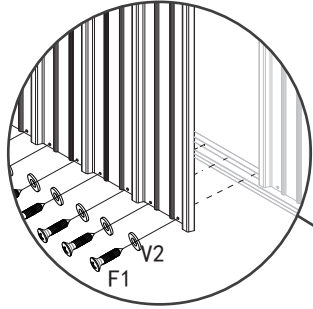
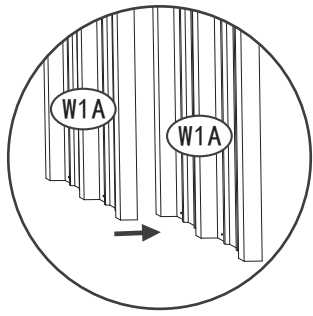


**Note:**  
Connector must fit.

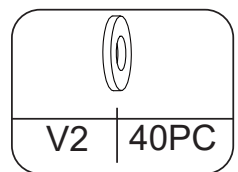
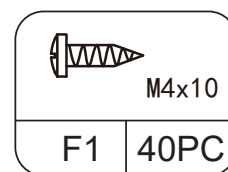
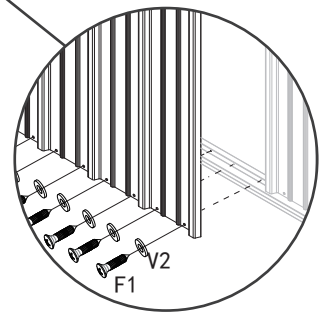
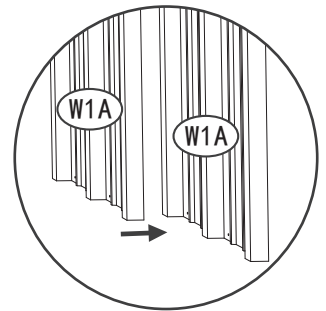
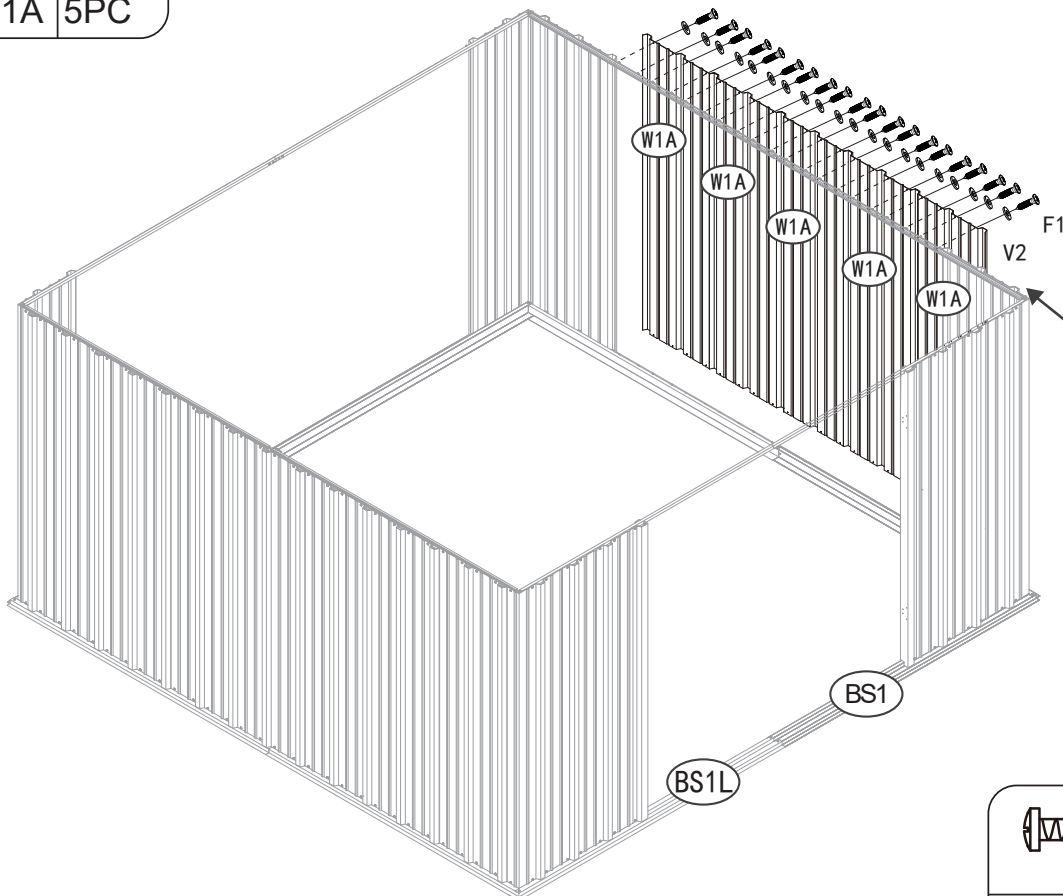
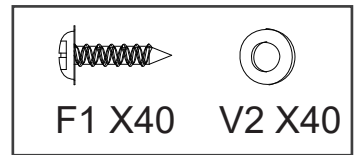
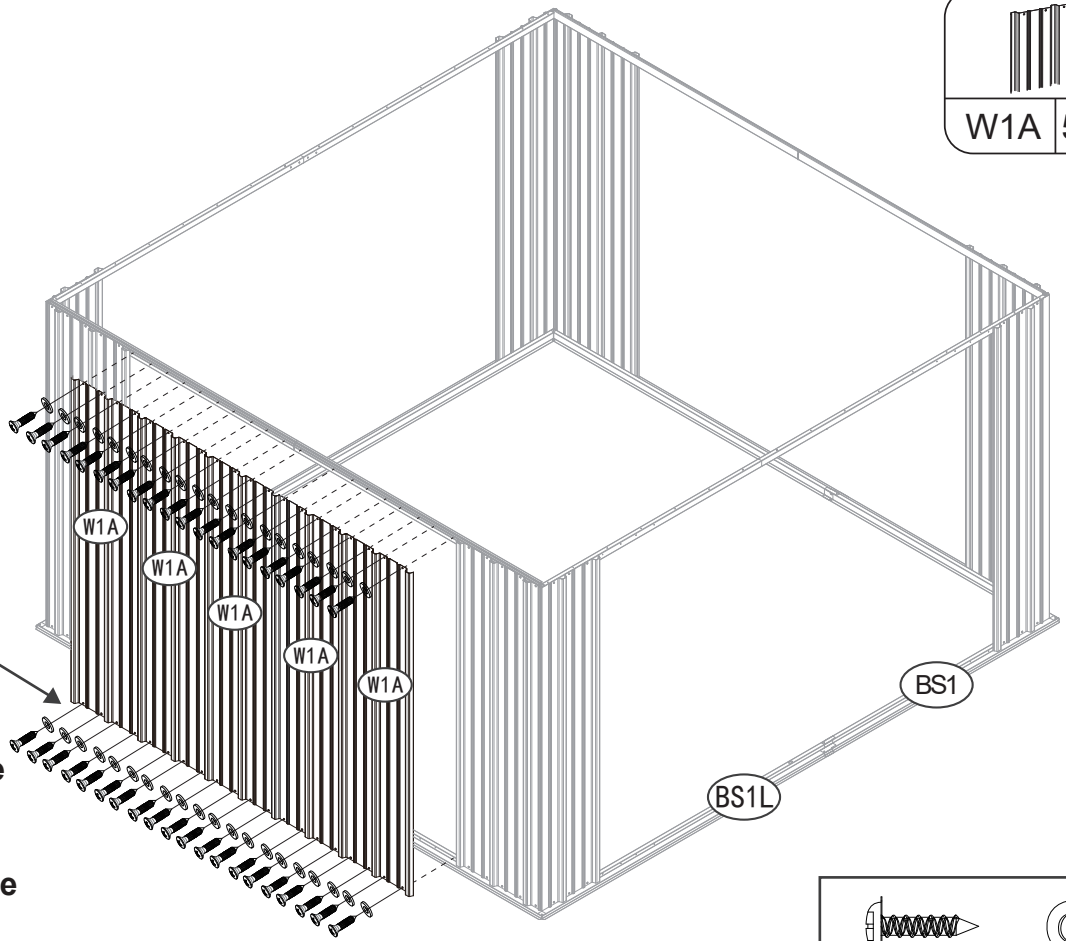


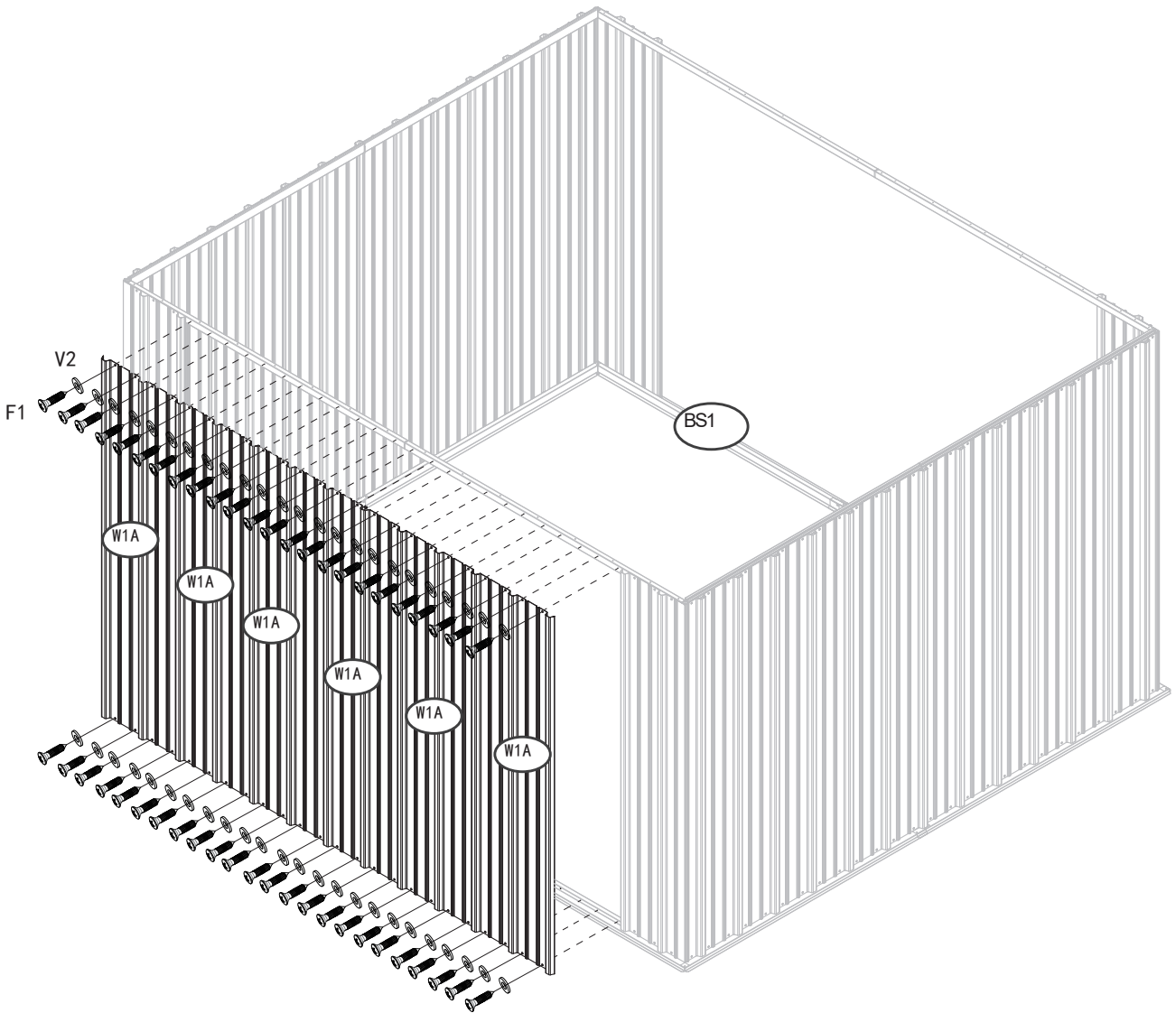
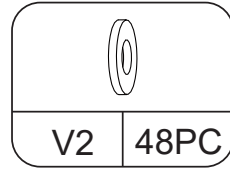
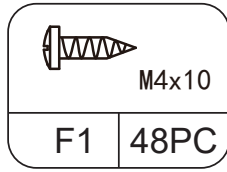


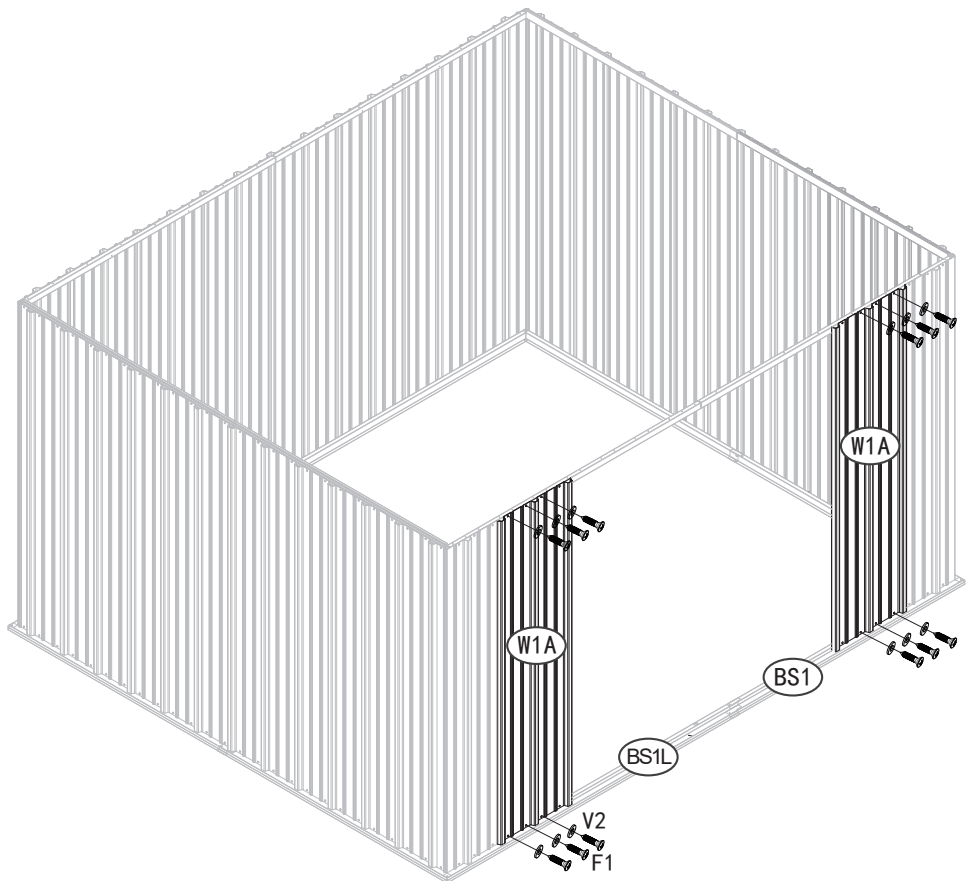





In order to facilitate the positioning, it is recommended that the screws at the bottom be driven first.




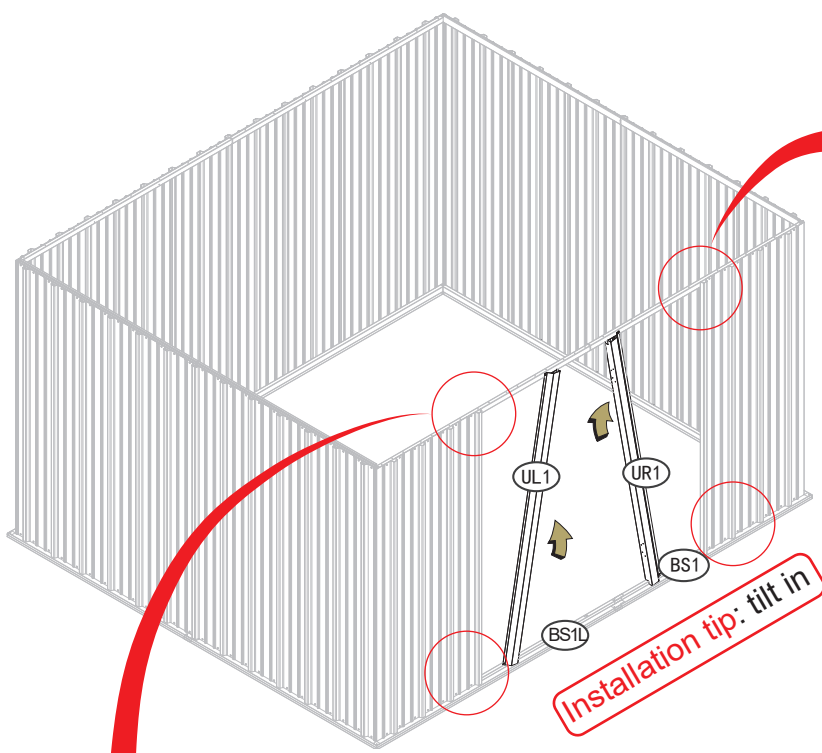




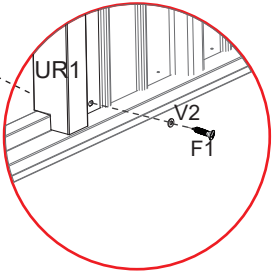
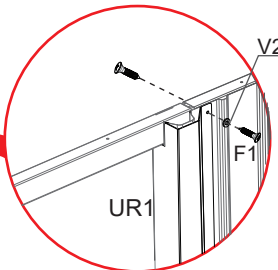
	
W1A	2 PC

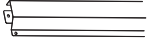
	
M4x10	
F1	12 PC


	
V2	12 PC





**Installation tip: tilt in**

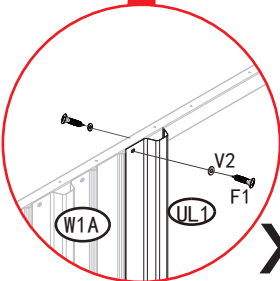


	
UL1	1 PC

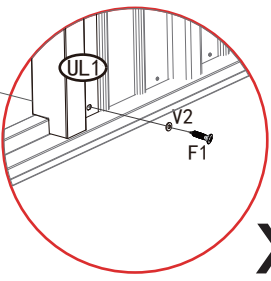
	
UR1	1 PC

	
M4x10	
F1	8 PC

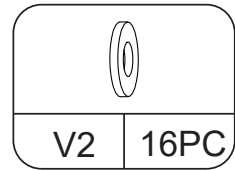
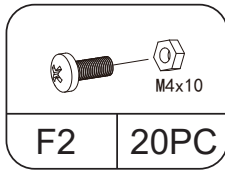
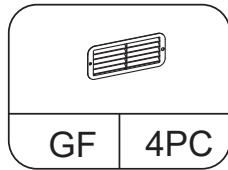
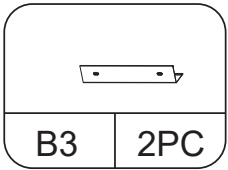
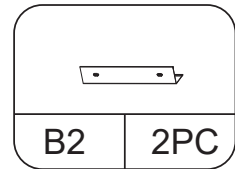
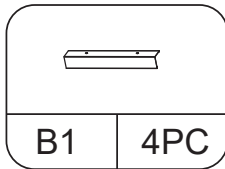
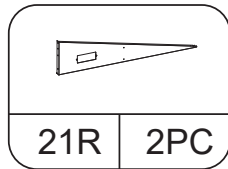
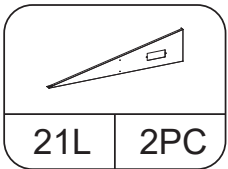
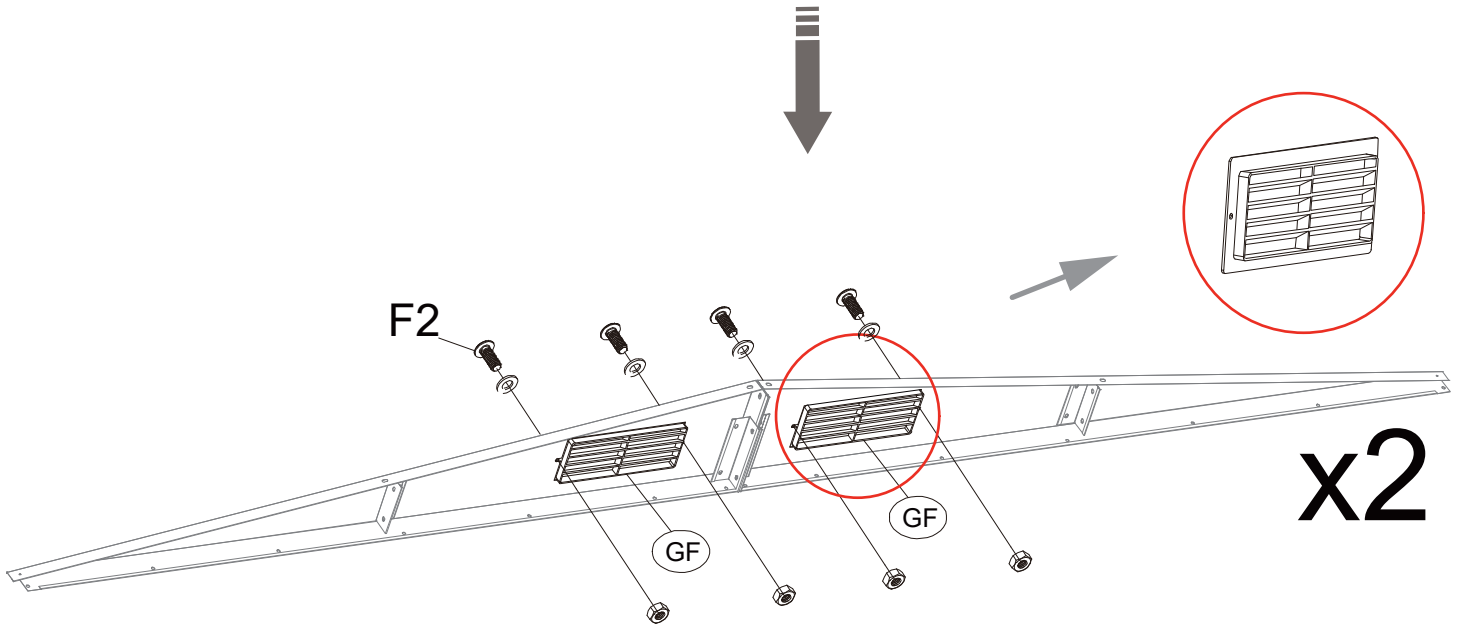
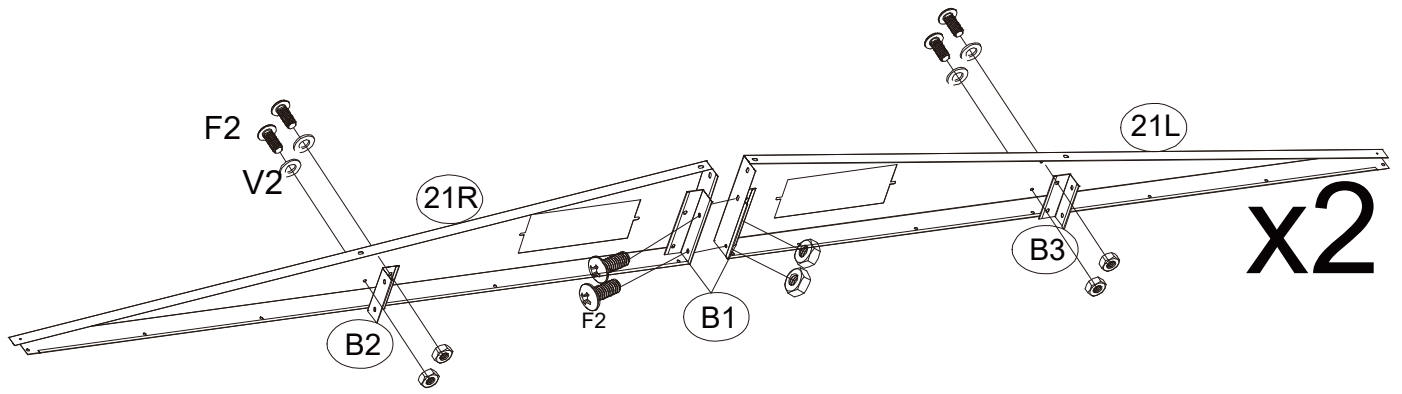
	
V2	8 PC

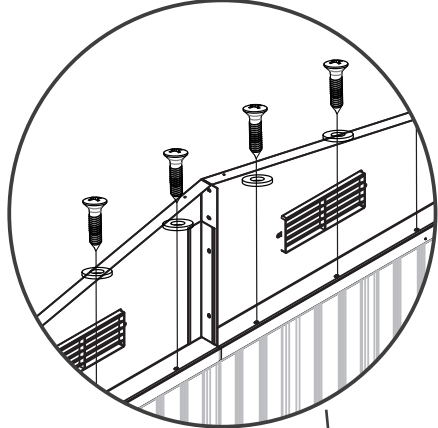


**x2**





**x2**

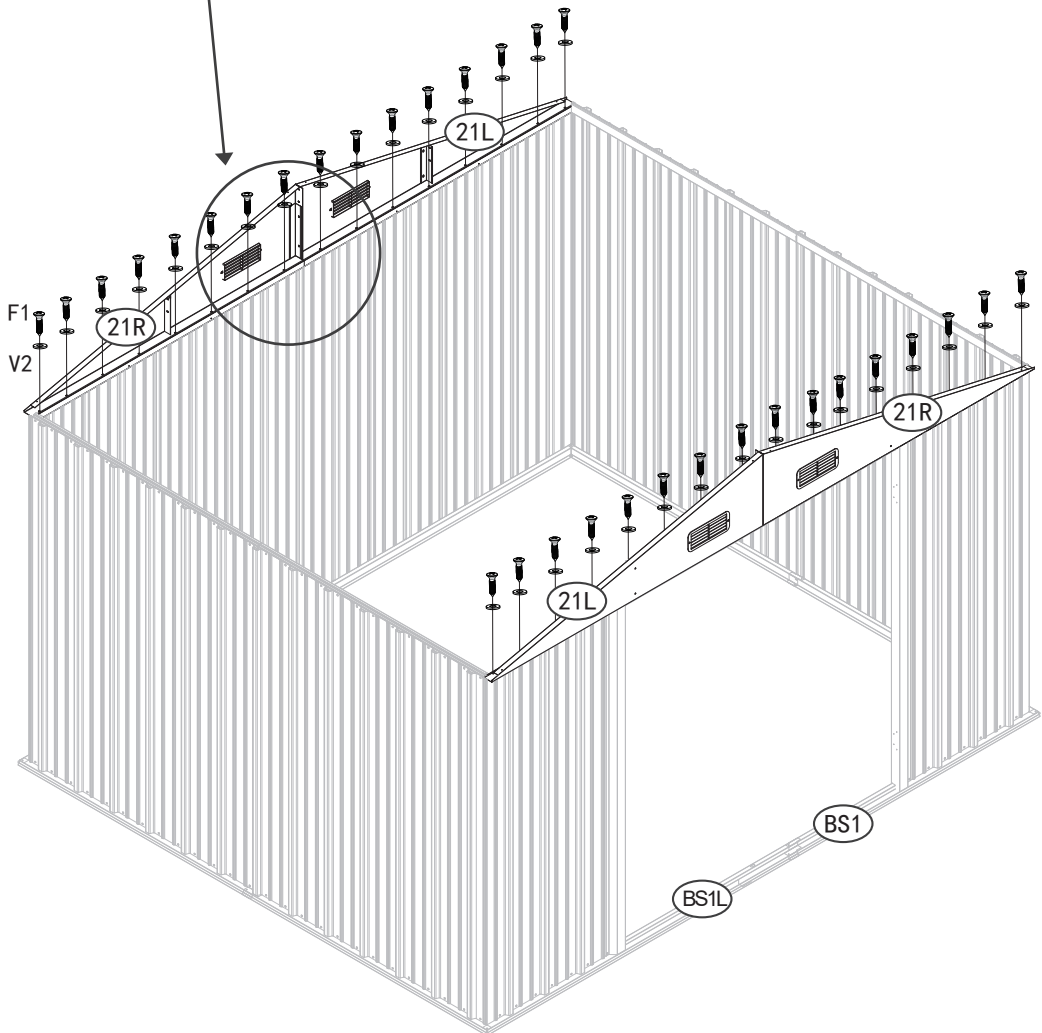


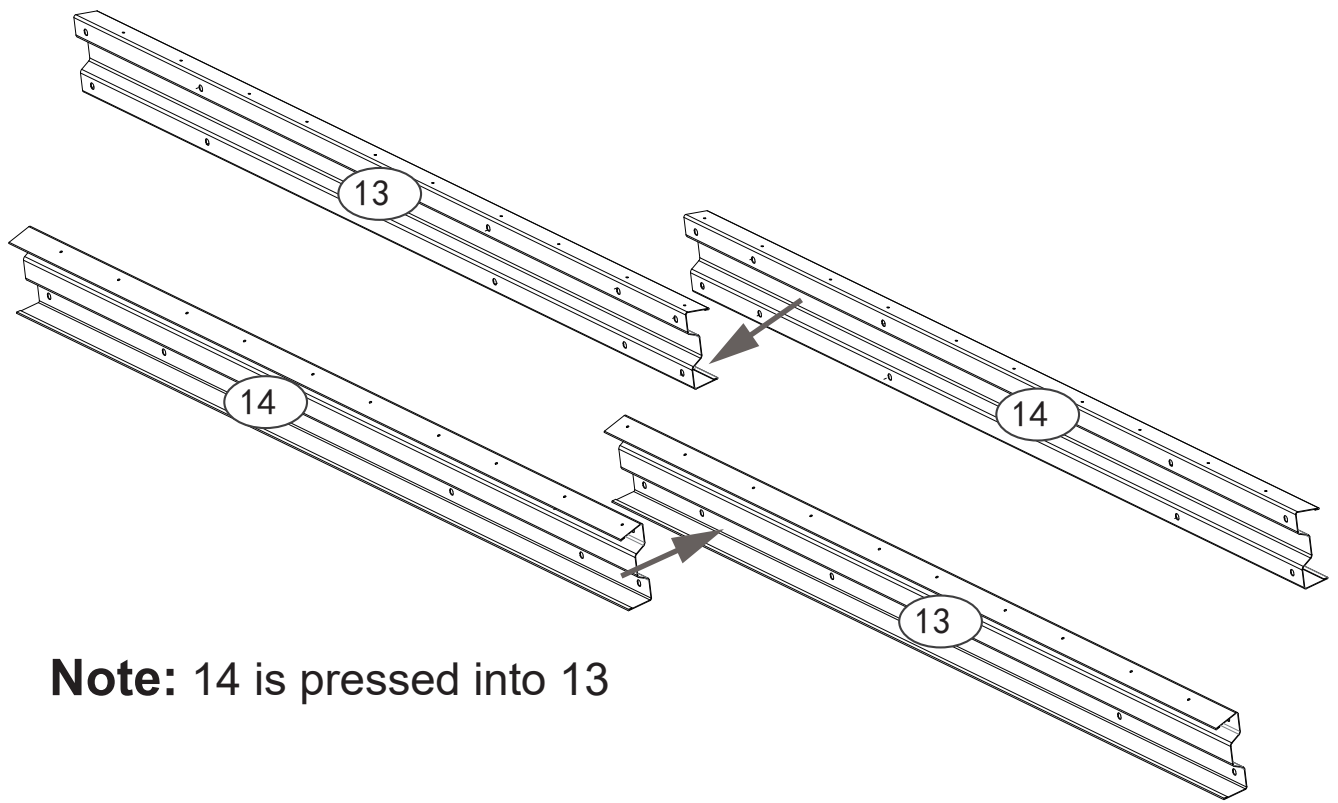


Four screws in the middle can be installed first to facilitate fixation.

	M4x10
F1	32PC

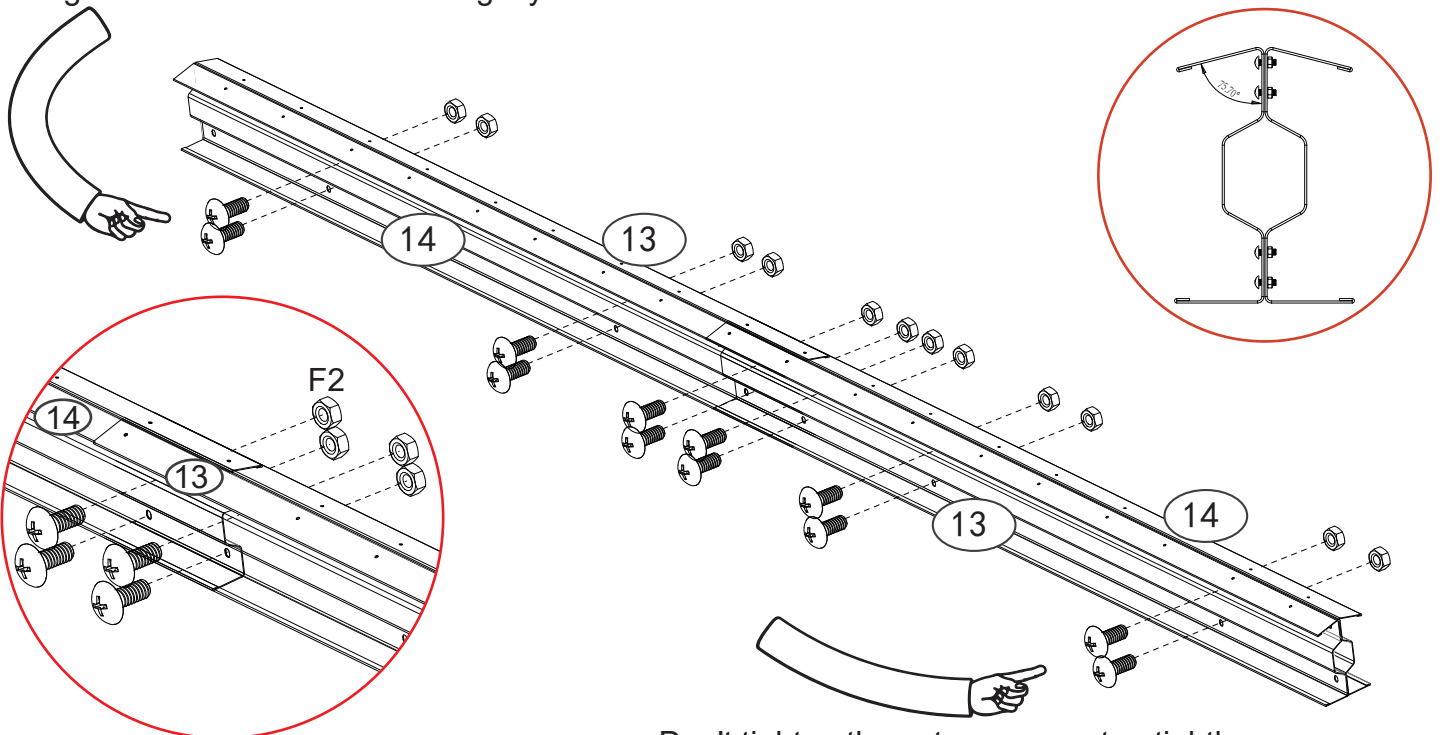
	
V2	32PC



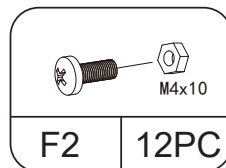
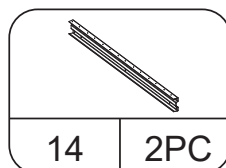
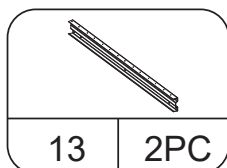


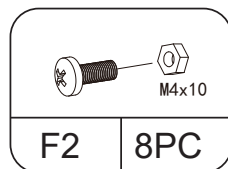
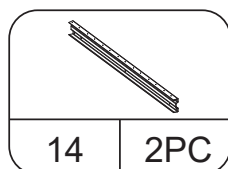
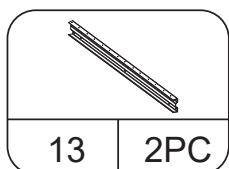
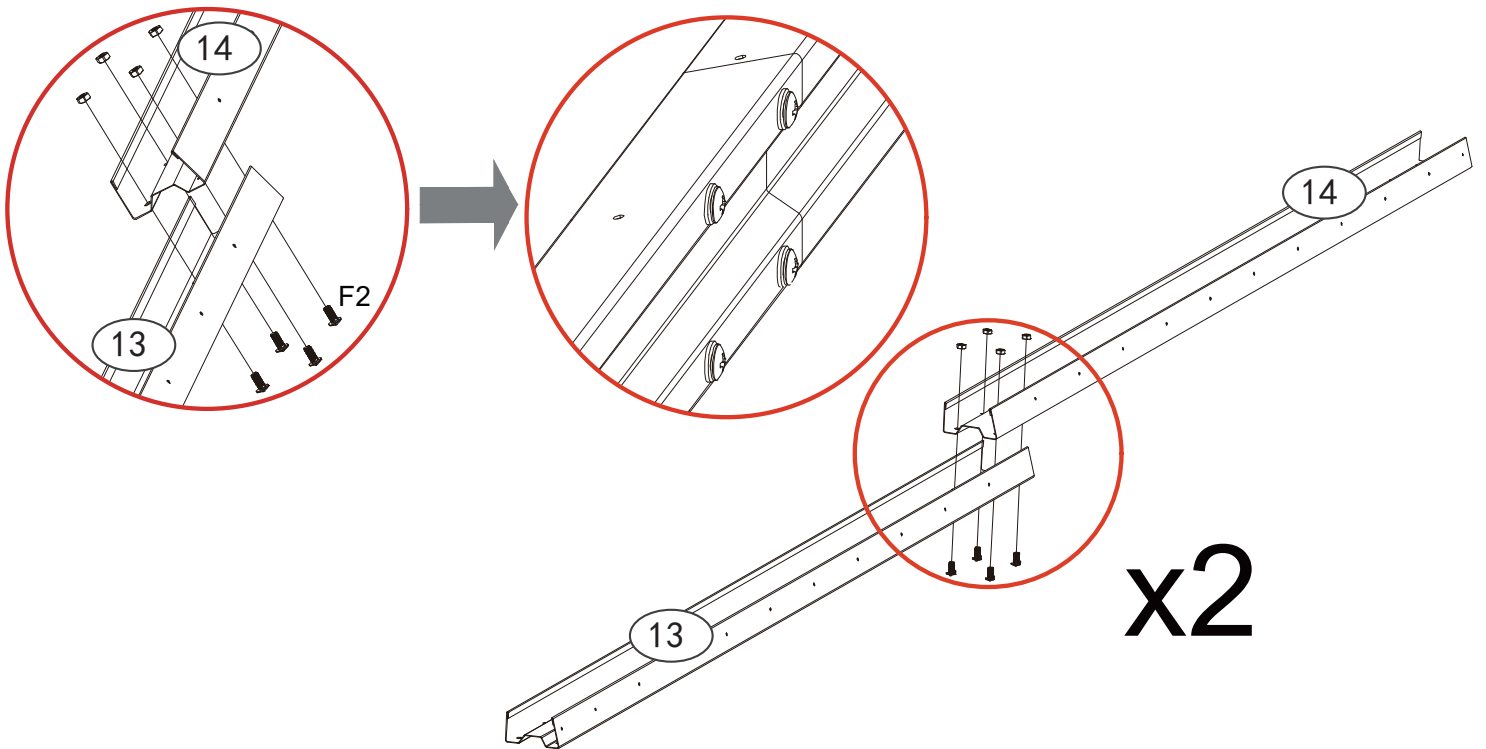
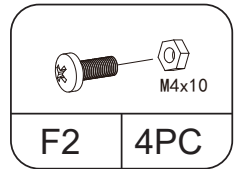
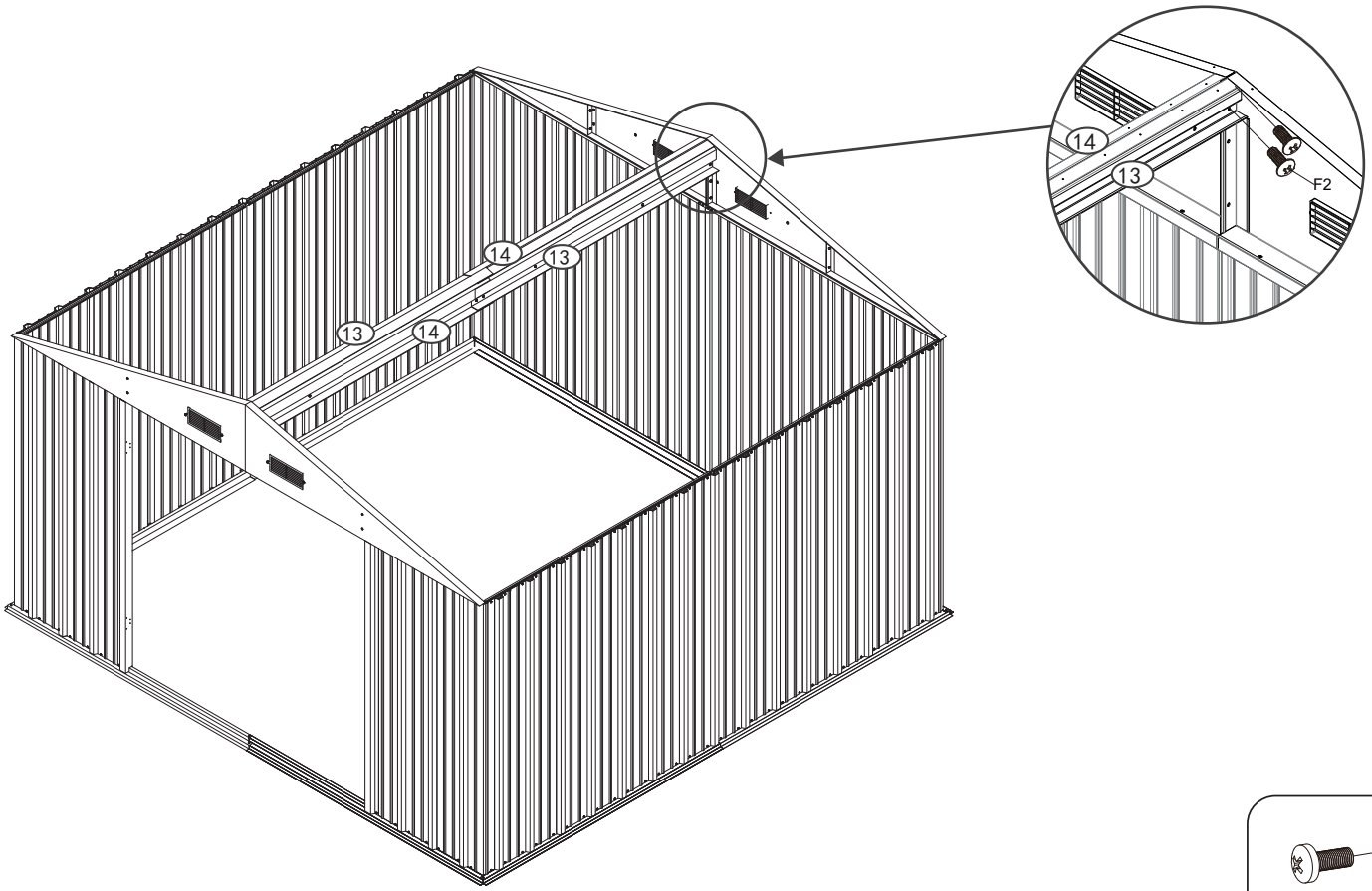
**Note:** 14 is pressed into 13

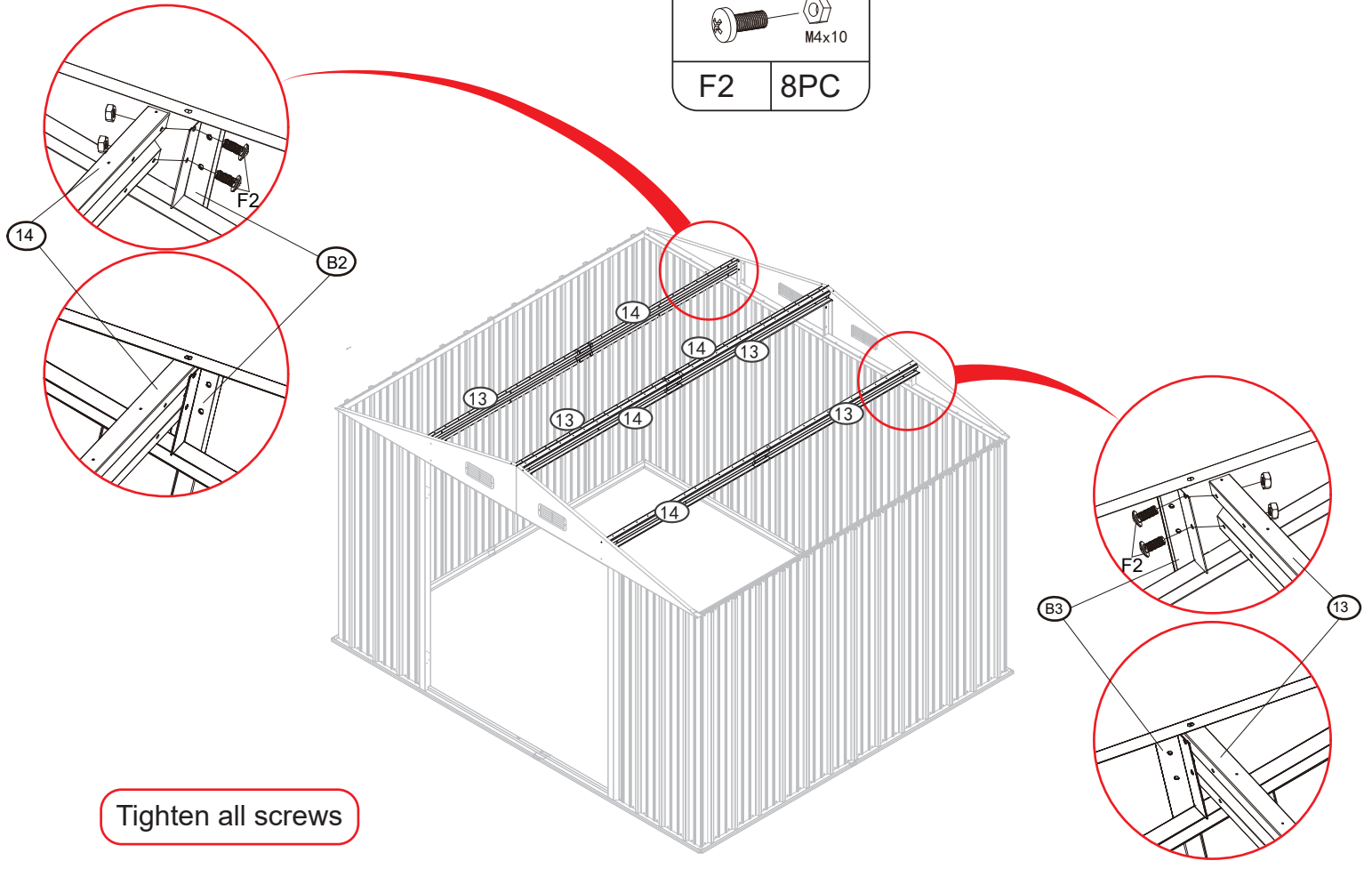
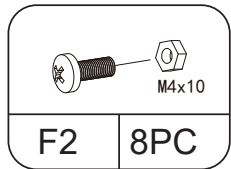
Don't tighten these two screws too tightly



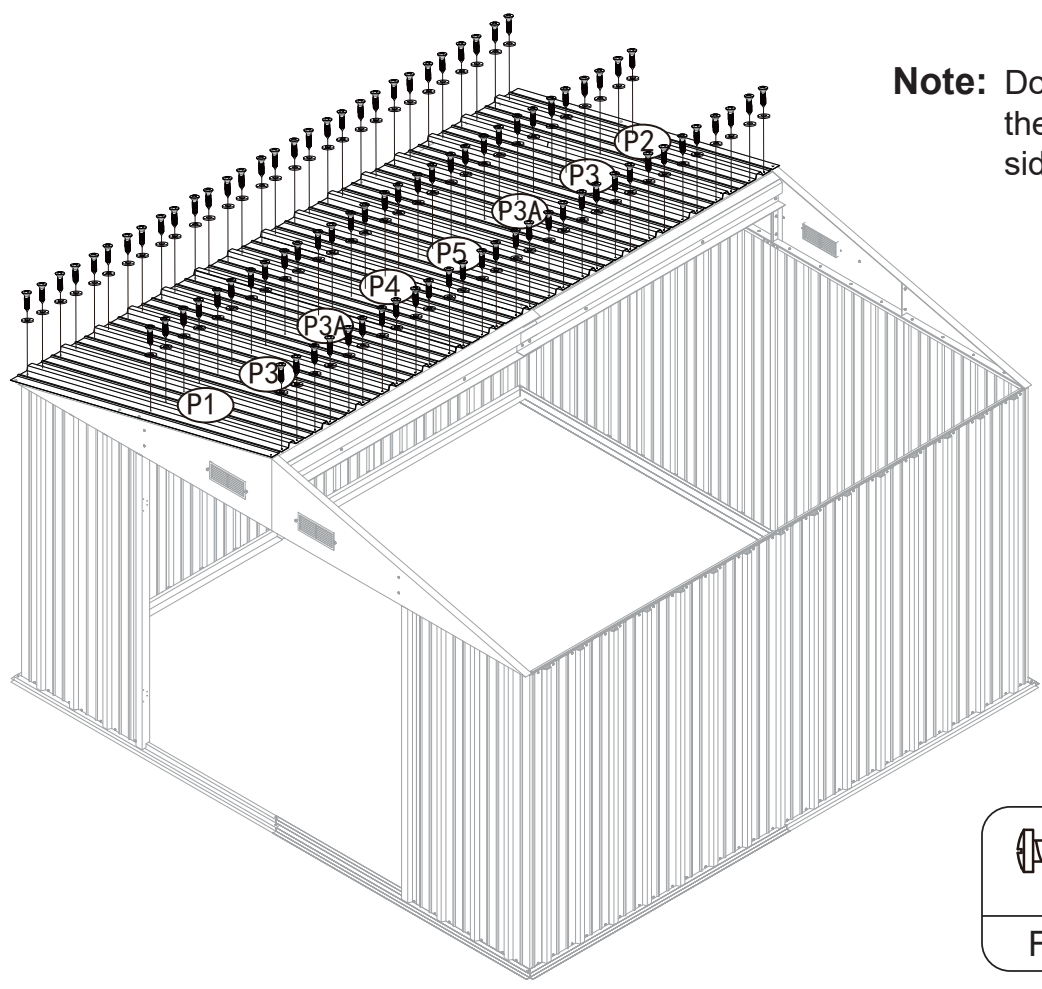
Don't tighten these two screws too tightly



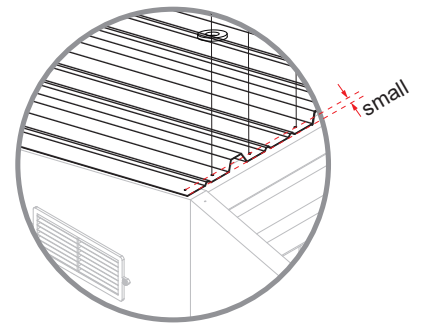




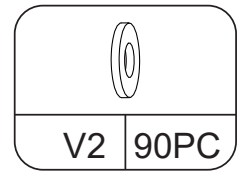
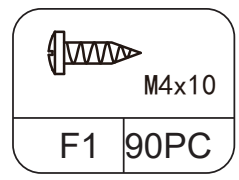
Tighten all screws

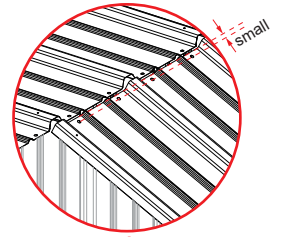
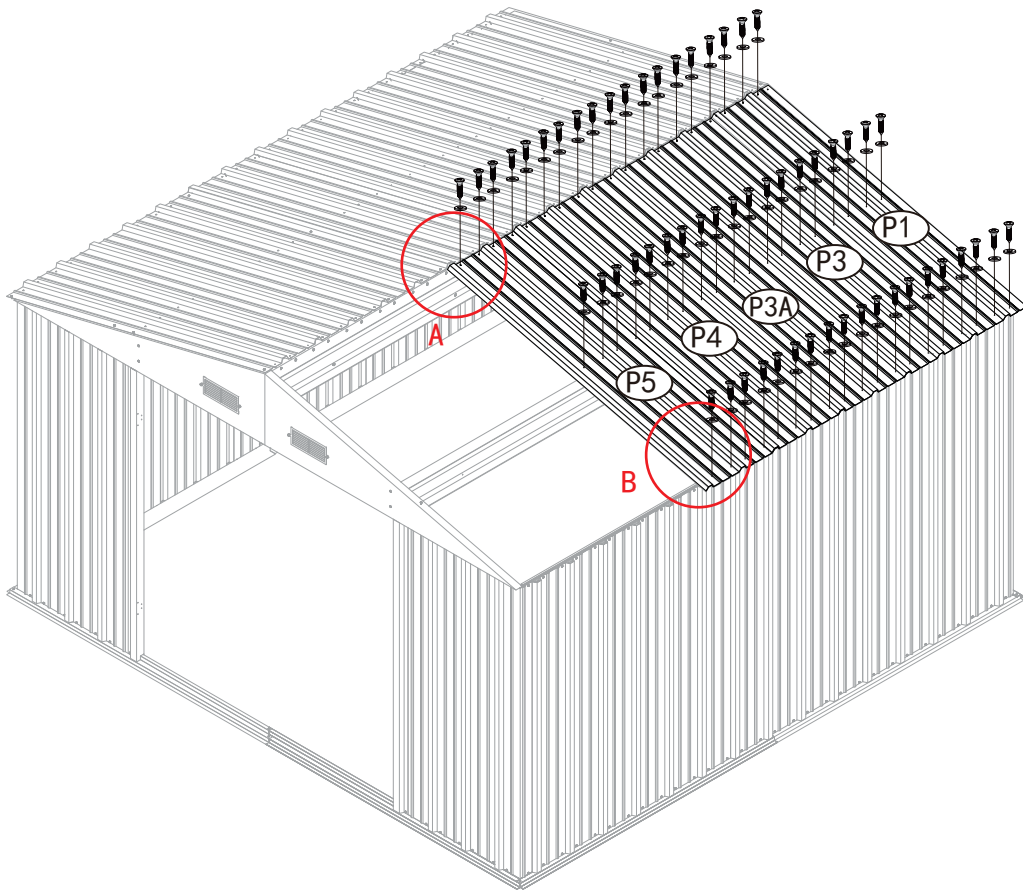


**Note:** Do not install F1 and V2 in the holes near the outer side of P1,P2.

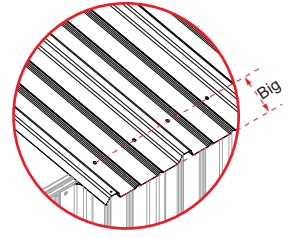


**Short distance from the edge at the top.**

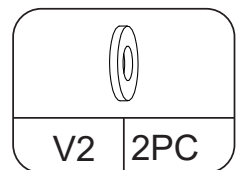
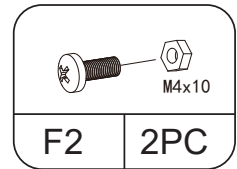
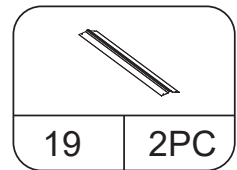
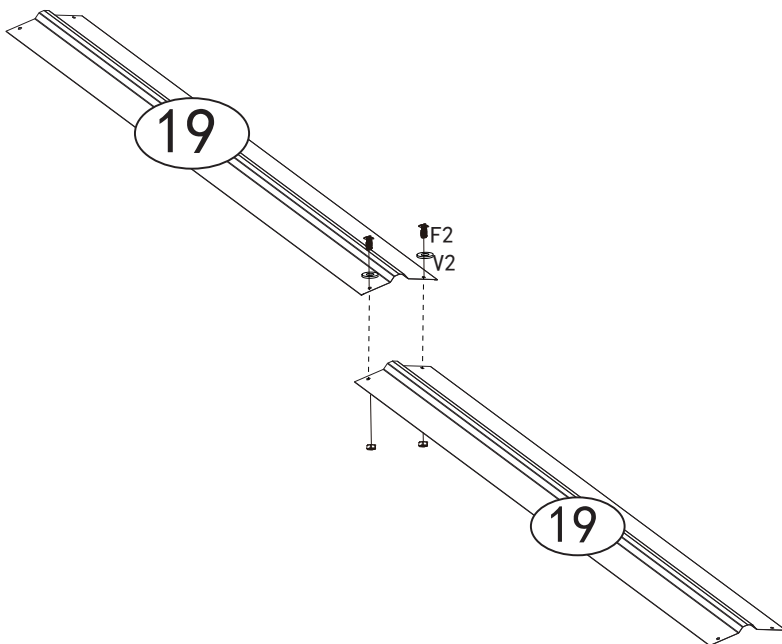
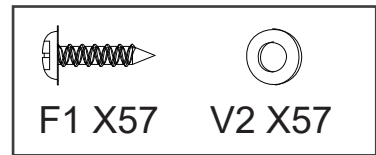






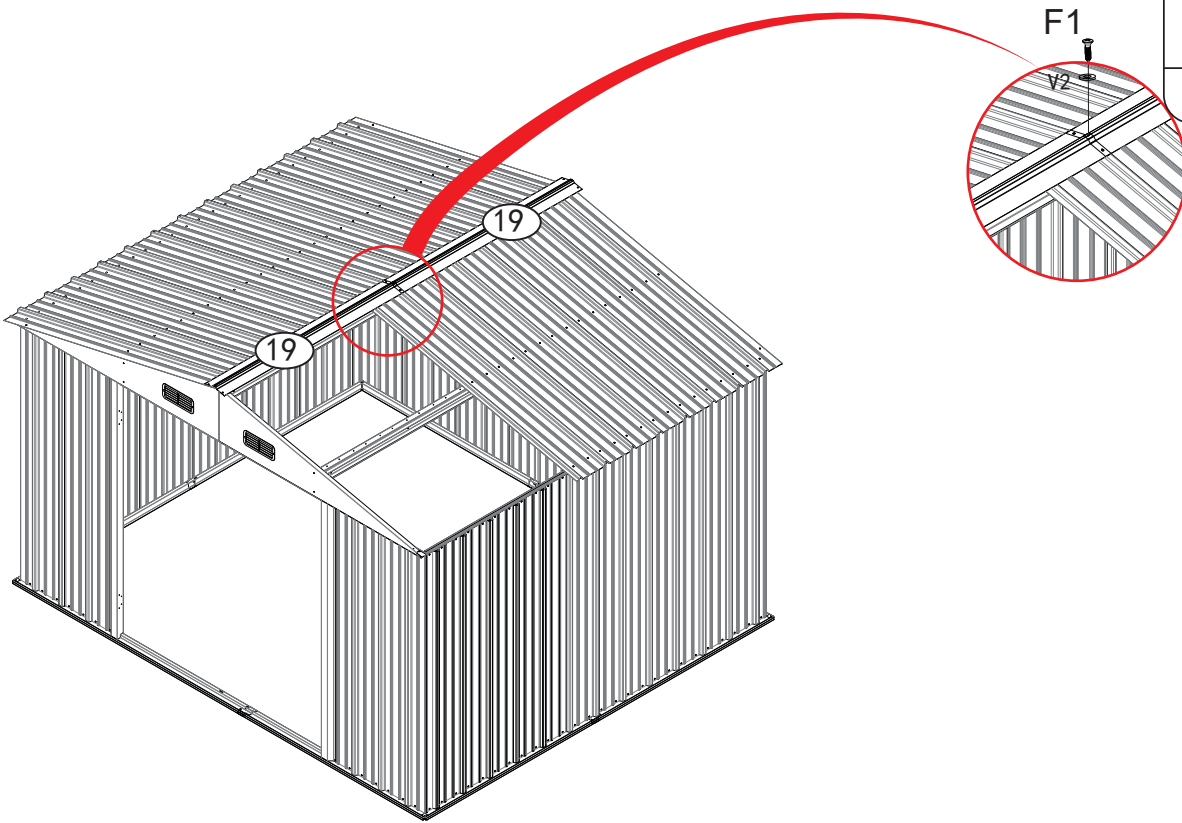
A




B





 M4x10	
F1	1PC
	
V2	1PC





**Installation tips:** You need to gently lift the 19 and then screw it

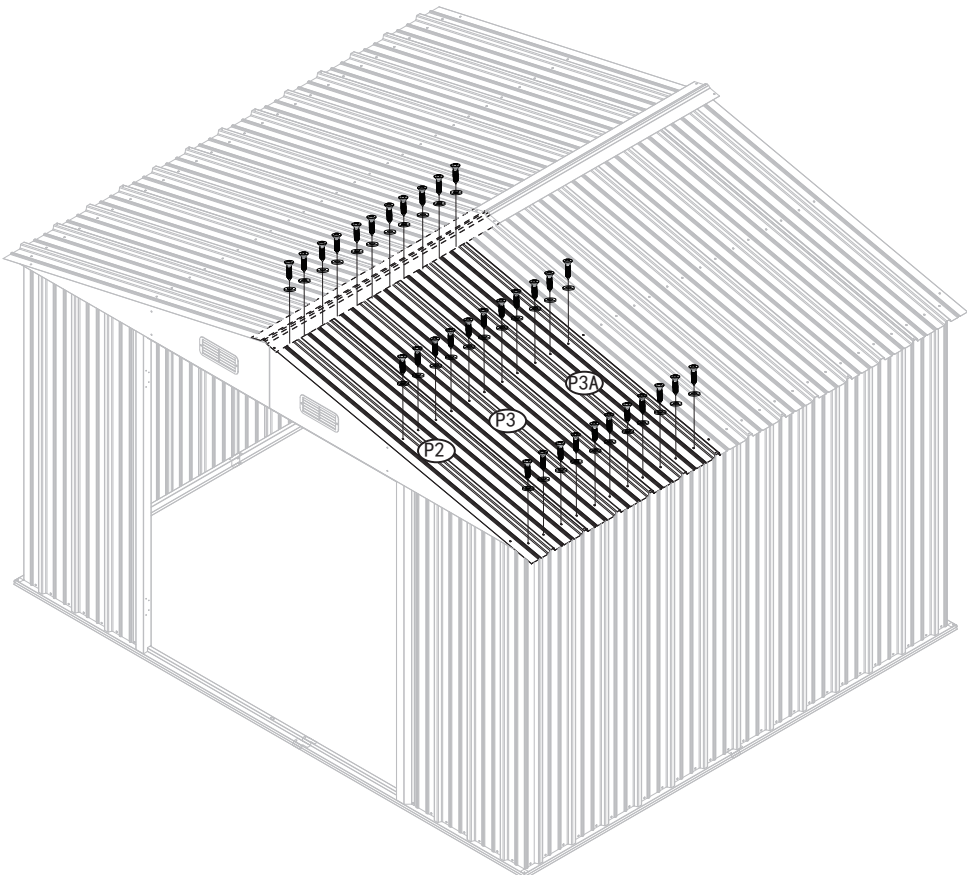
	
P2	1PC

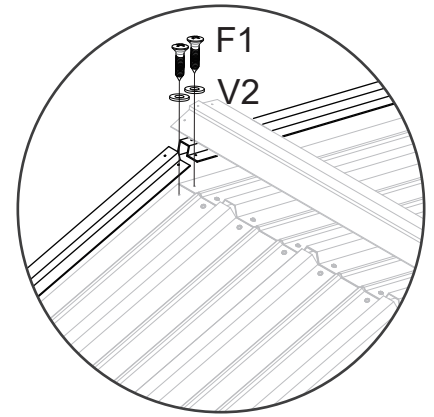
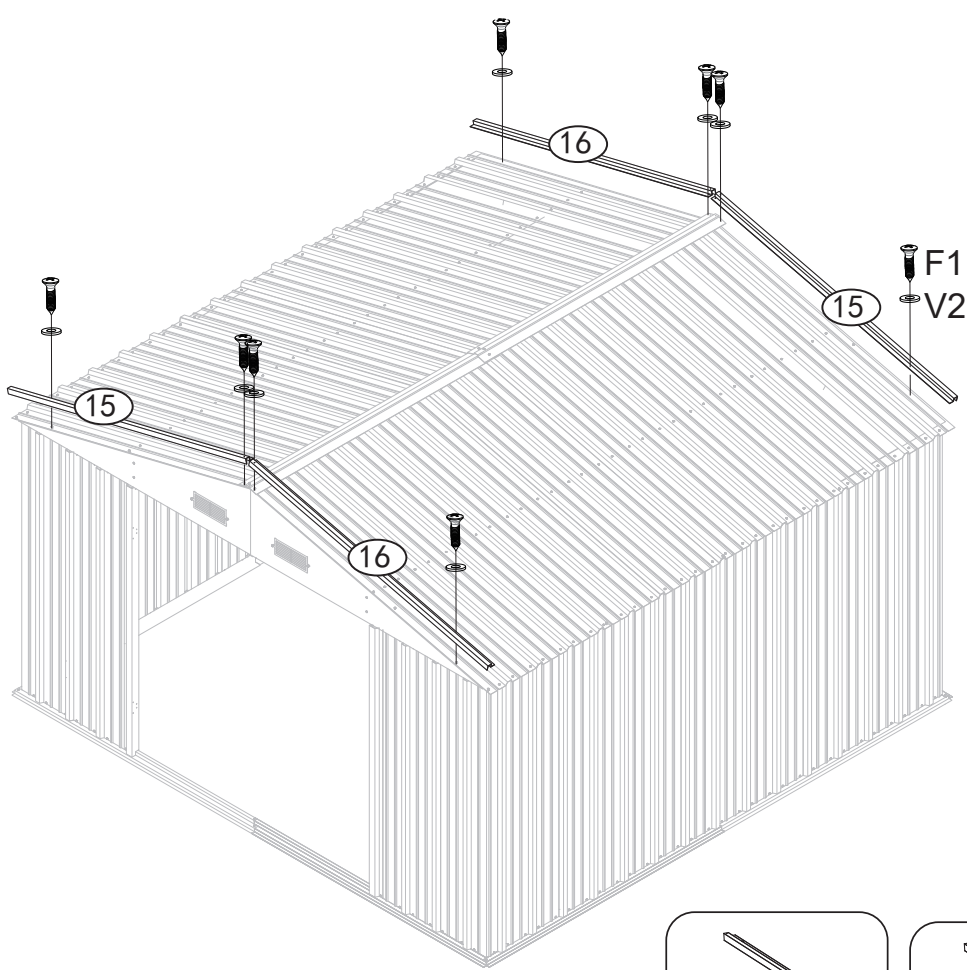
	
P3	1PC

	
P3A	1PC

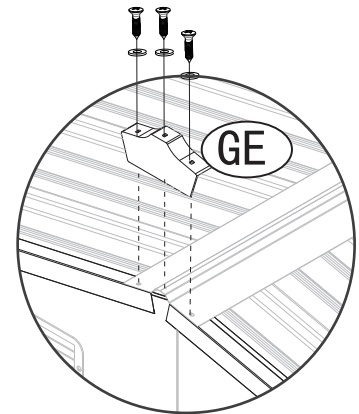
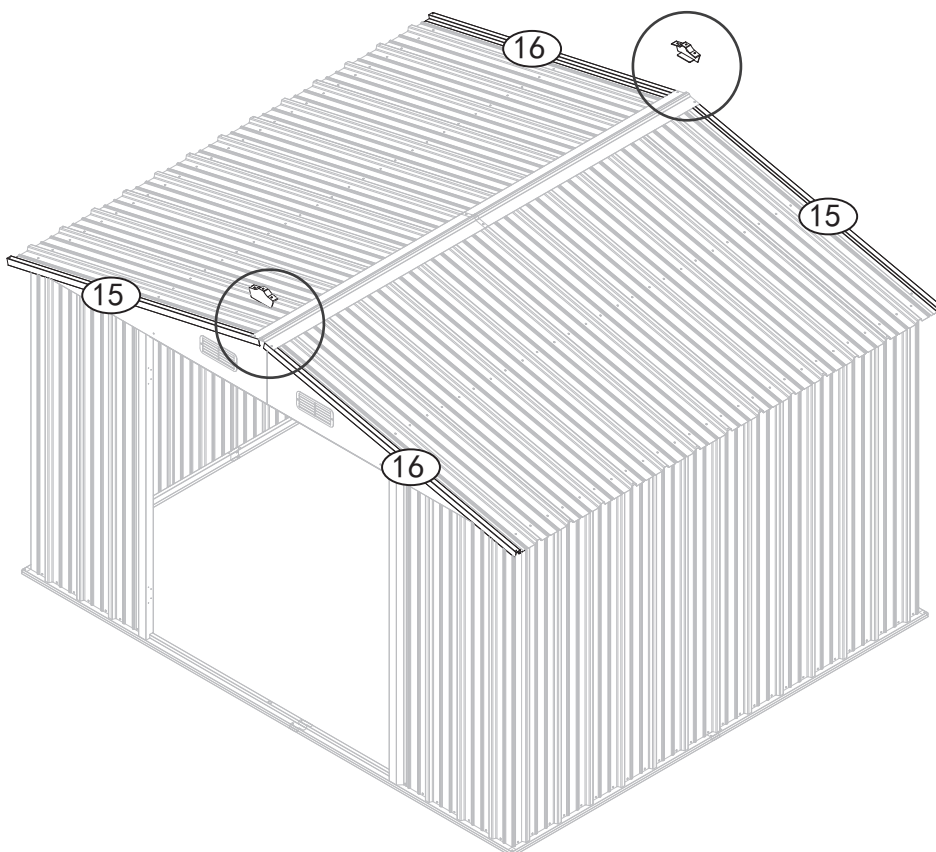
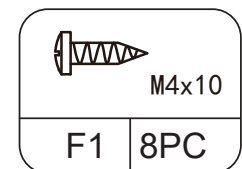
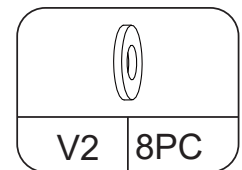
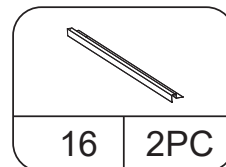
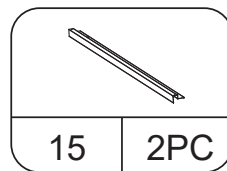
 M4x10	
F1	33PC

	
V2	33PC

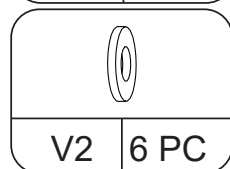
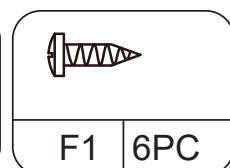
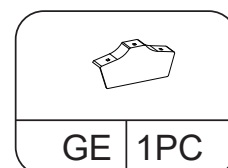


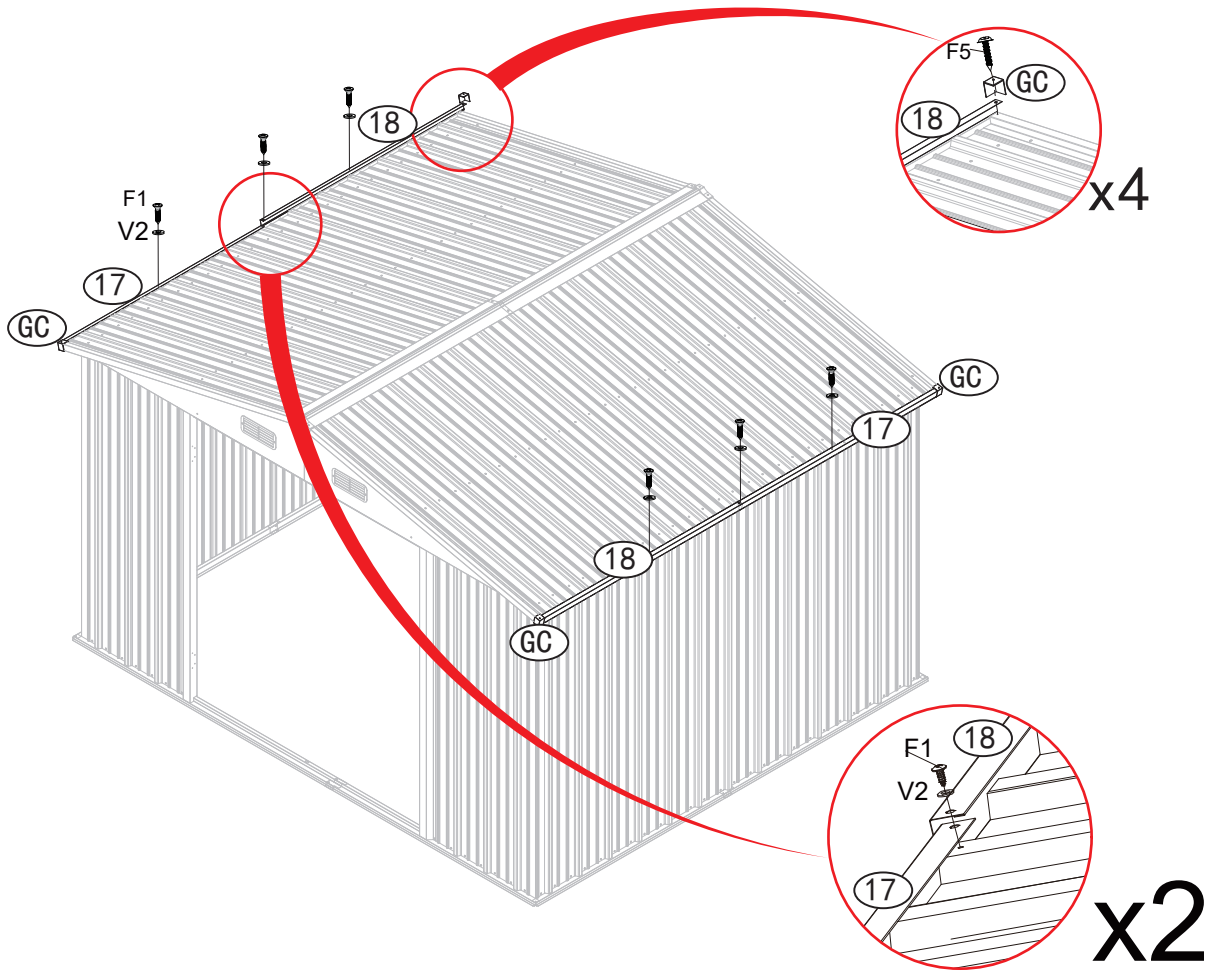


**Note:** Do not install F1 and V2 in the holes side of P1,P2.

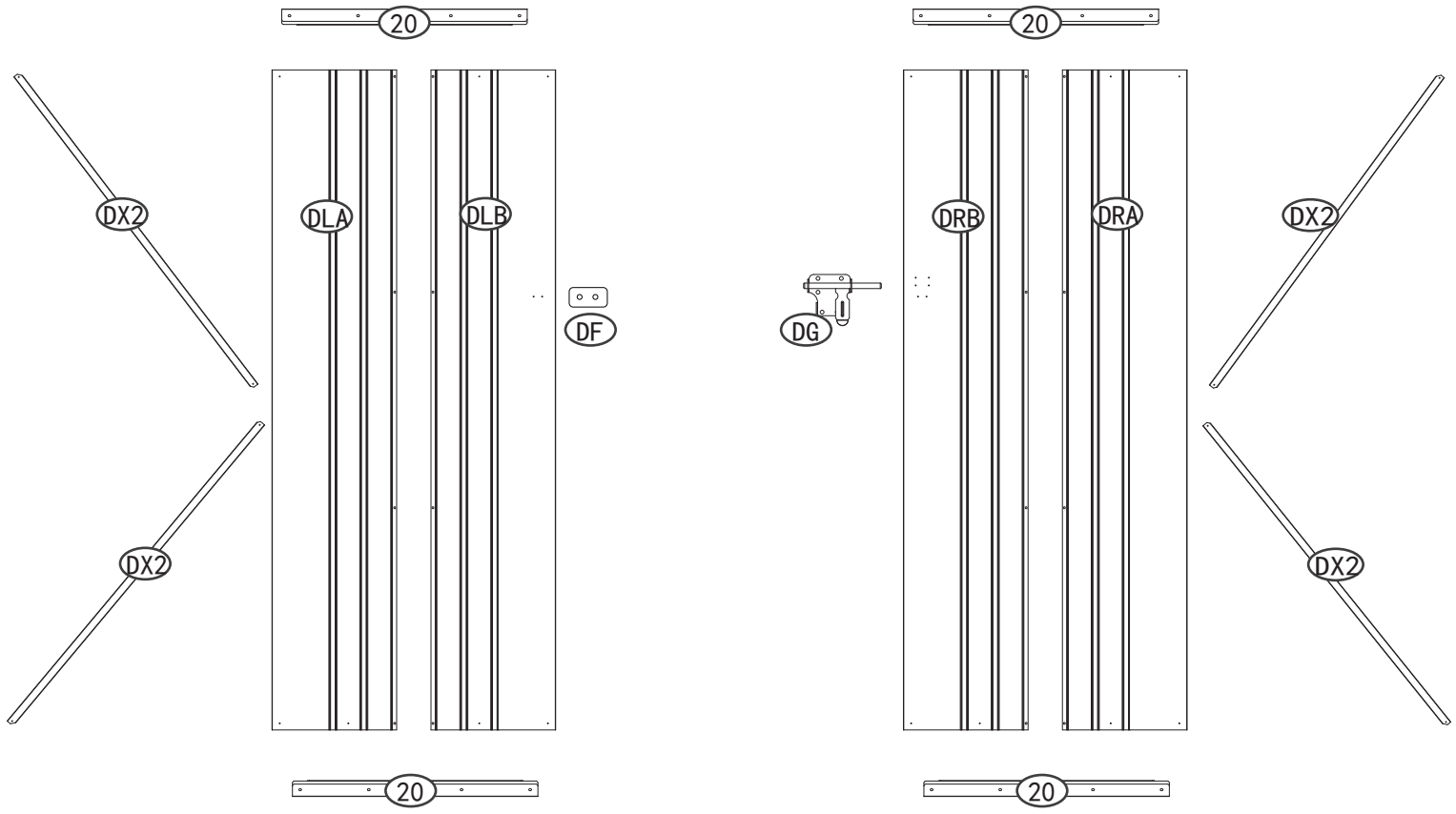


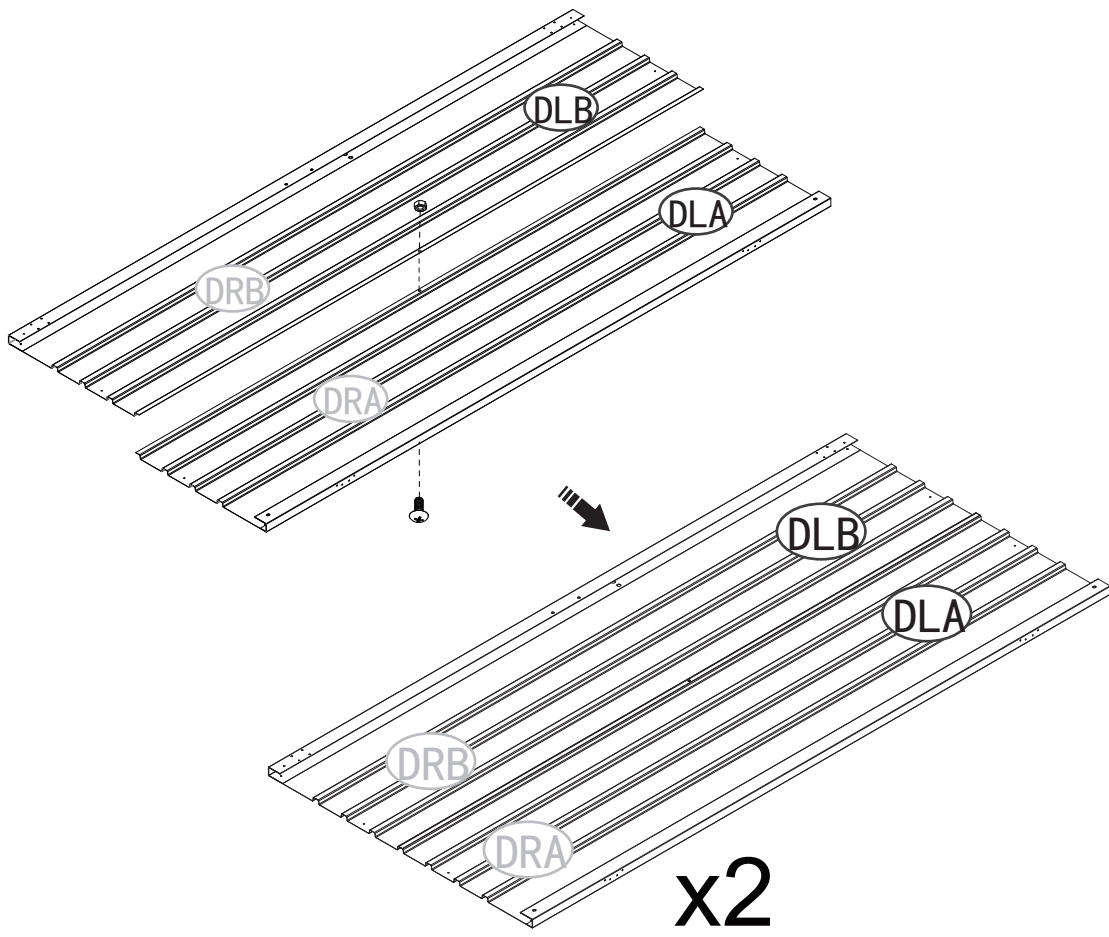
**x2**





	17	2PC
	18	2PC
	GC	4PC
	F1	6PC
	F5	4PC
	V2	6PC





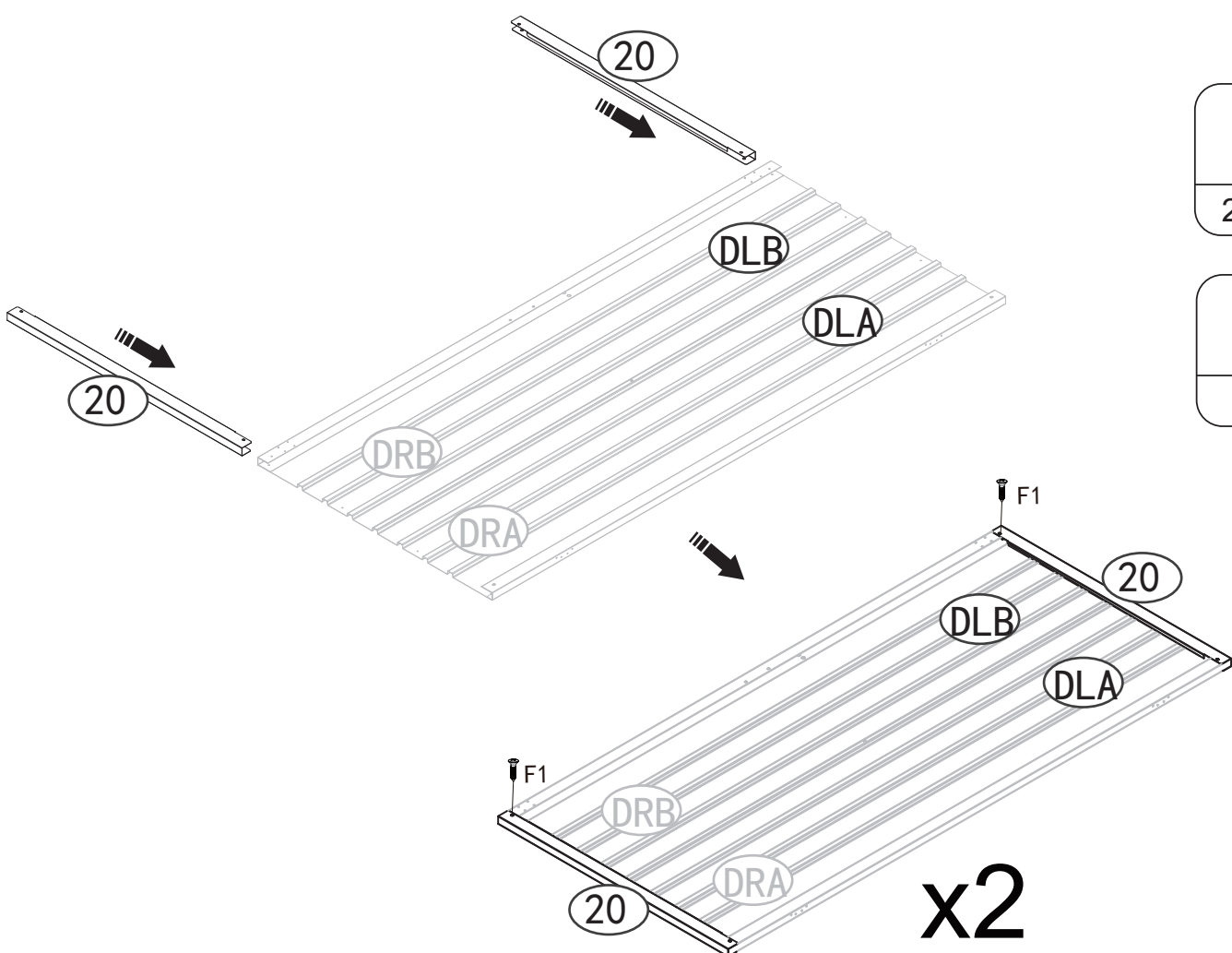
DRA	1PC

DRB	1PC

DLA	1PC

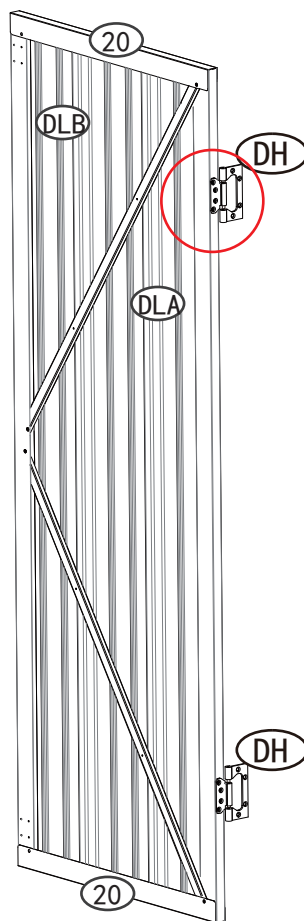
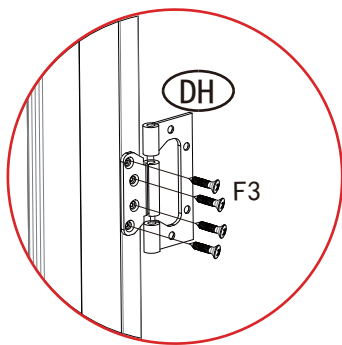
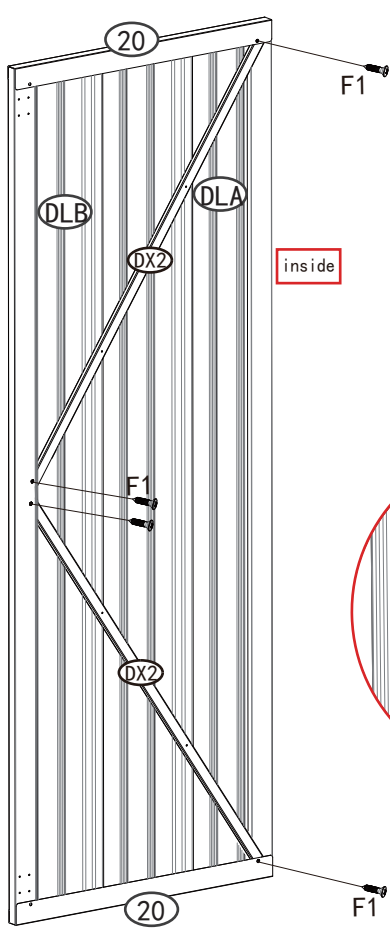
DLB	1PC

F2	2PC



20	4PC

F1	4PC

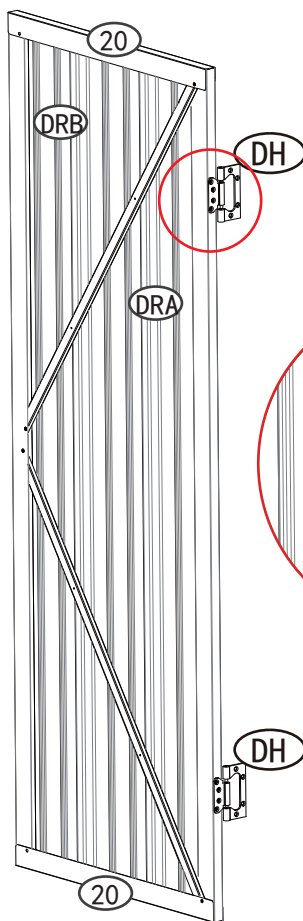
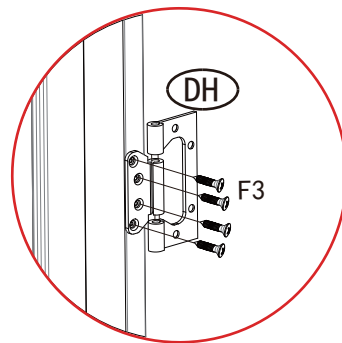
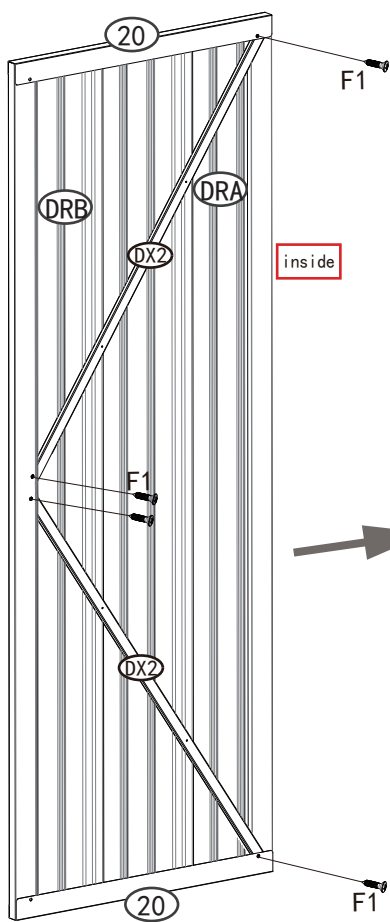


**X2**

DH	2 PC

M5x12	
F3	8 PC

M4x10	
F1	4 PC

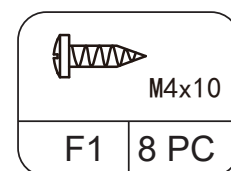
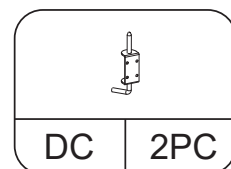
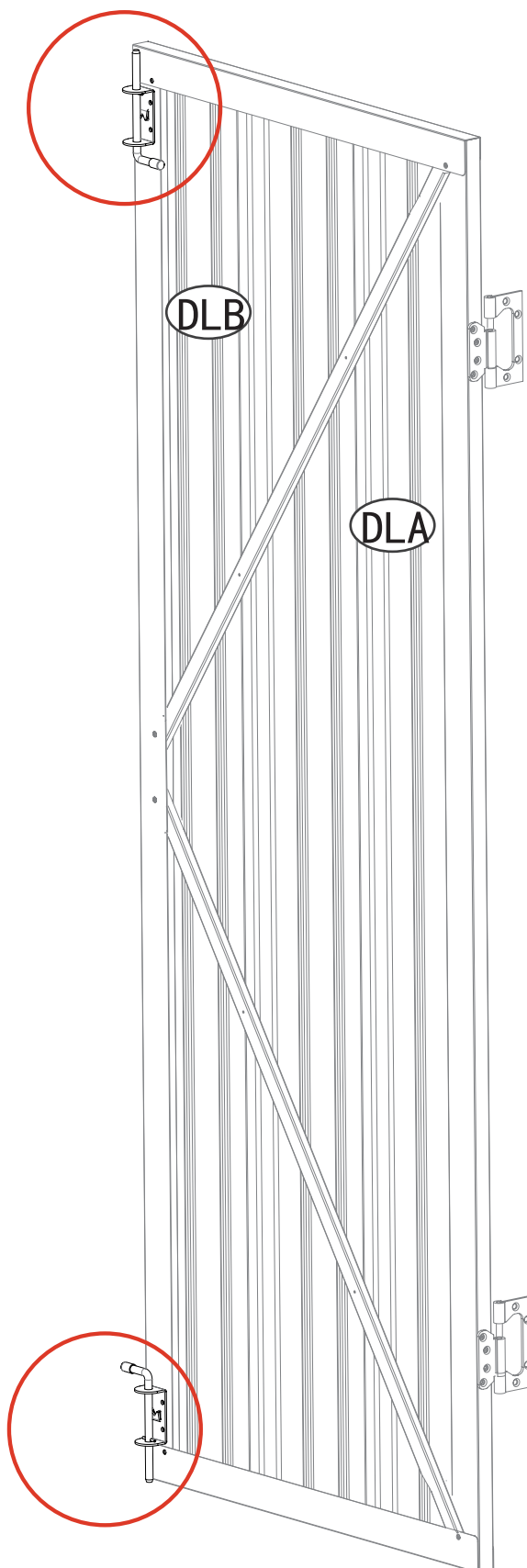
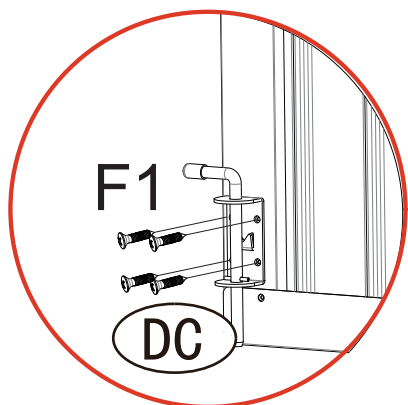
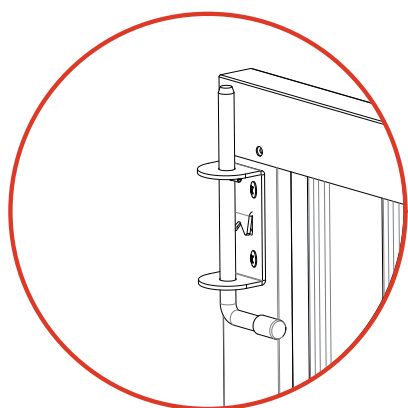
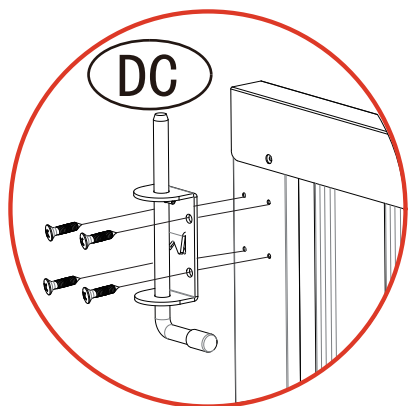


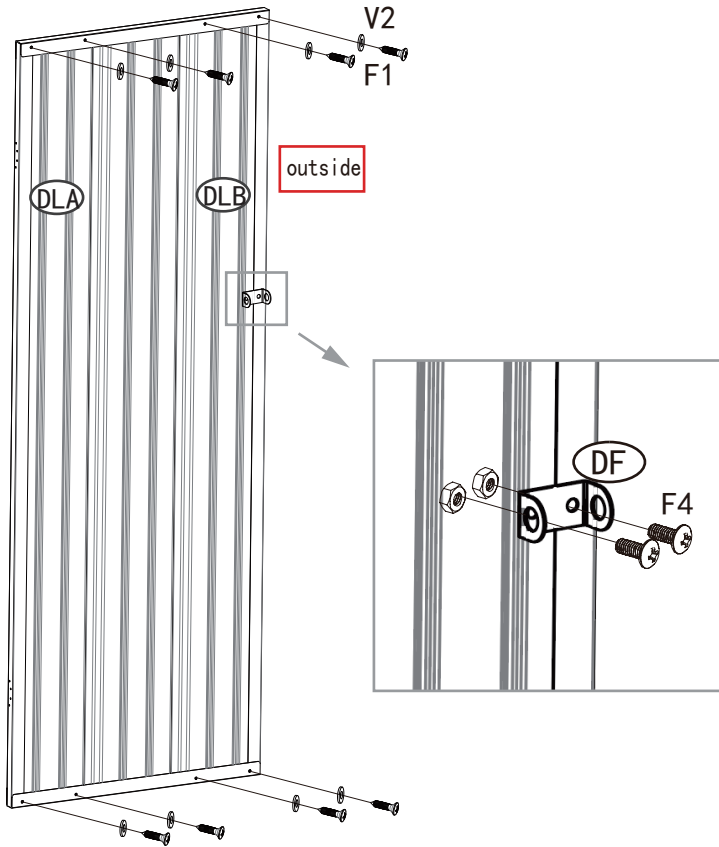
**X2**

DH	2 PC

M5x12	
F3	8 PC

M4x10	
F1	4 PC



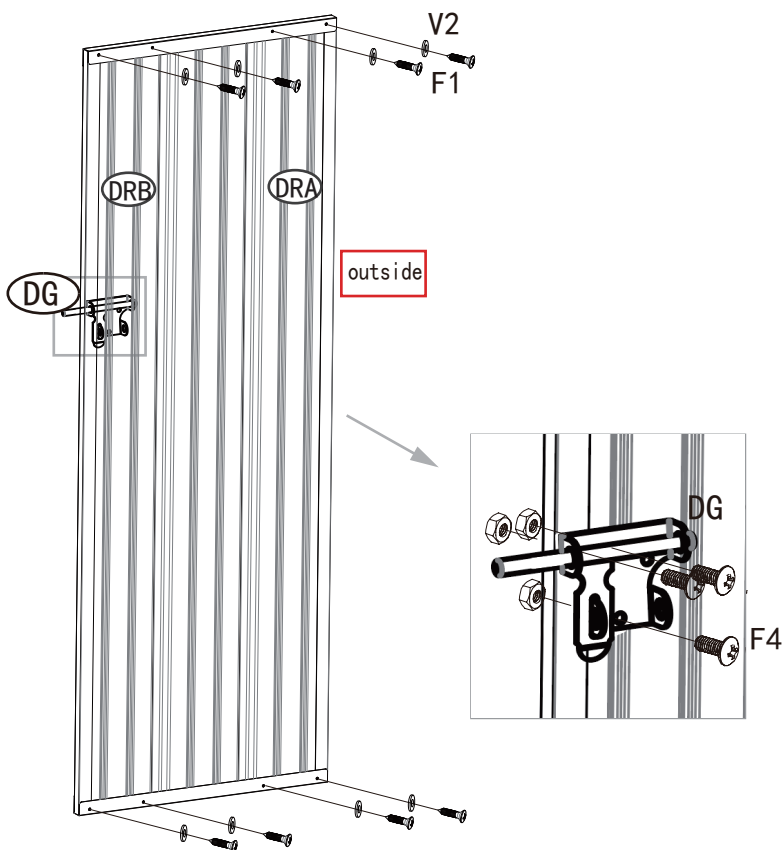


DF	1PC

F4	2PC

F1	8PC

V2	8PC

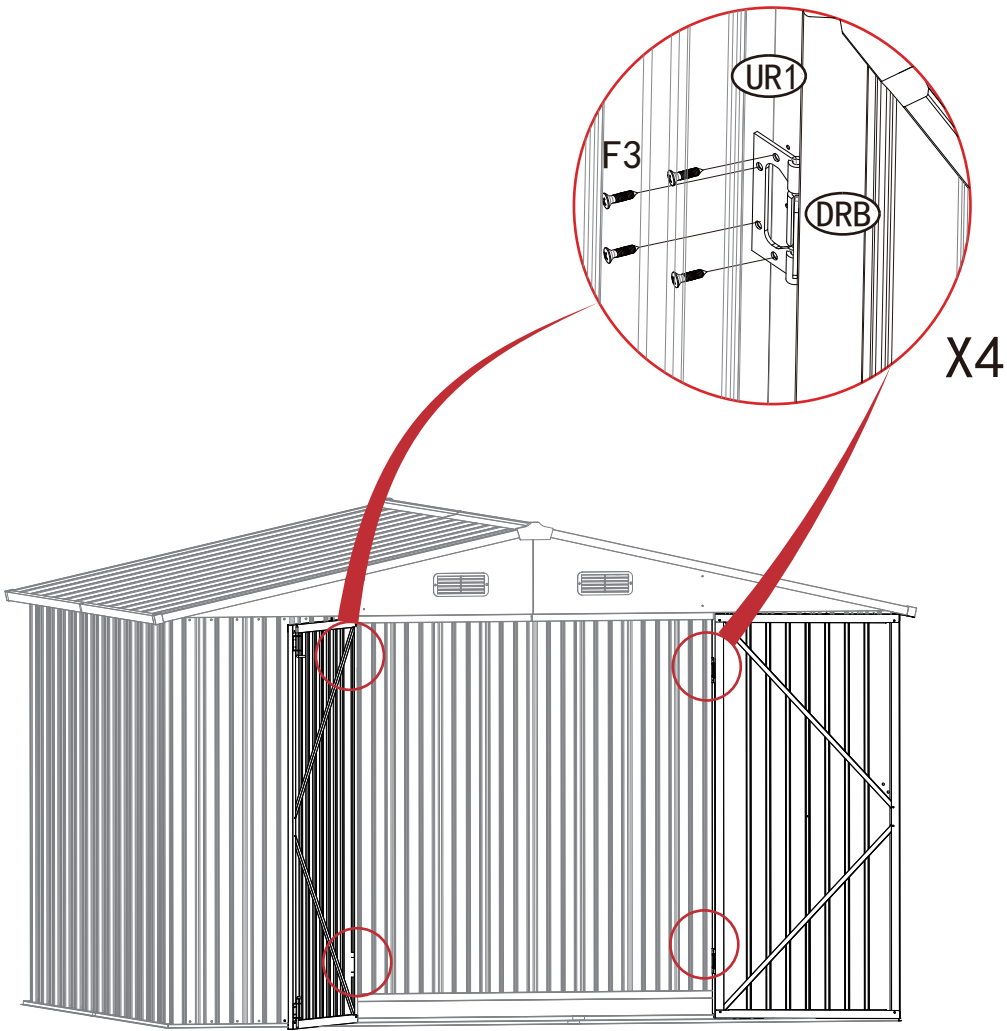



DG	1PC

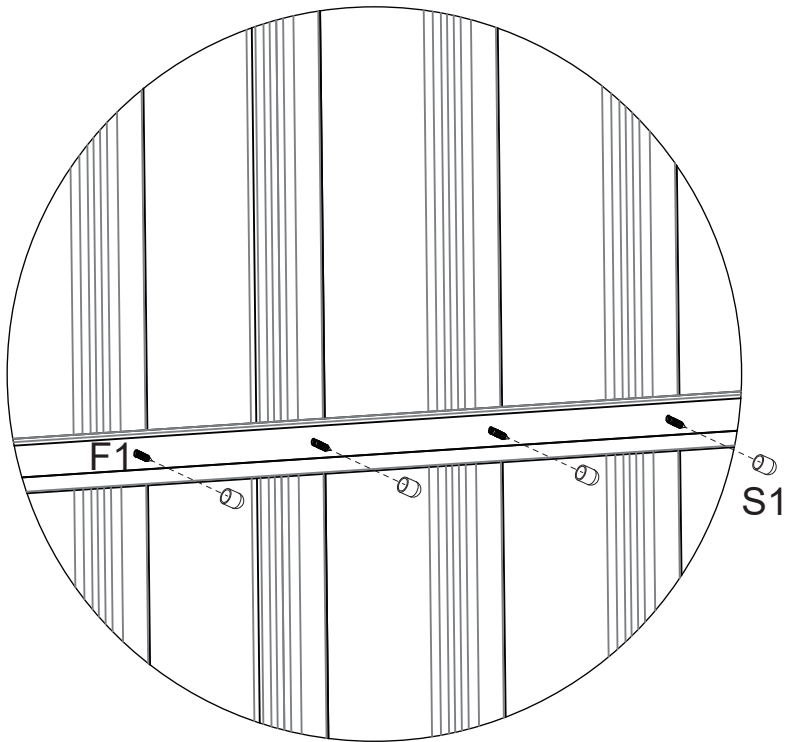
F4	3PC


F1	8PC

V2	8PC



	
M5x12	
F3	16PC



	
S1	120PC

