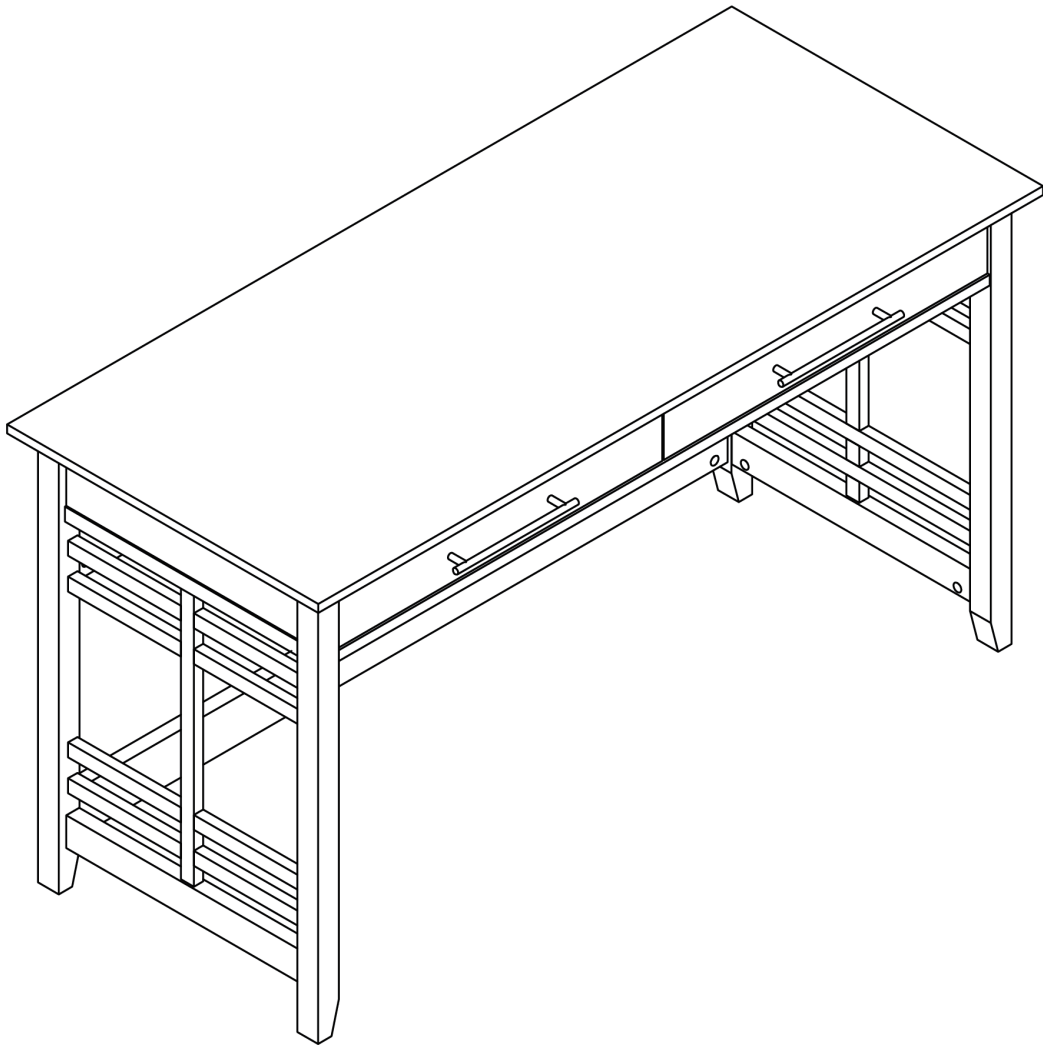


# INSTRUCTION MANUAL





Estimated Time for Assembly

**45 mins**

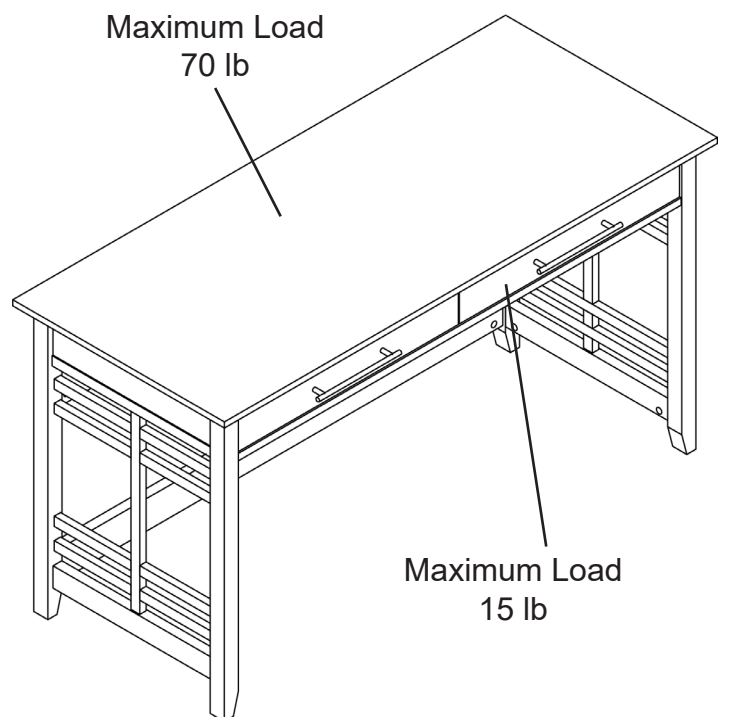
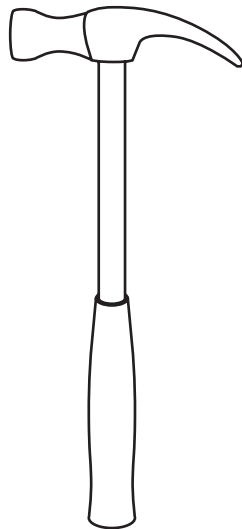


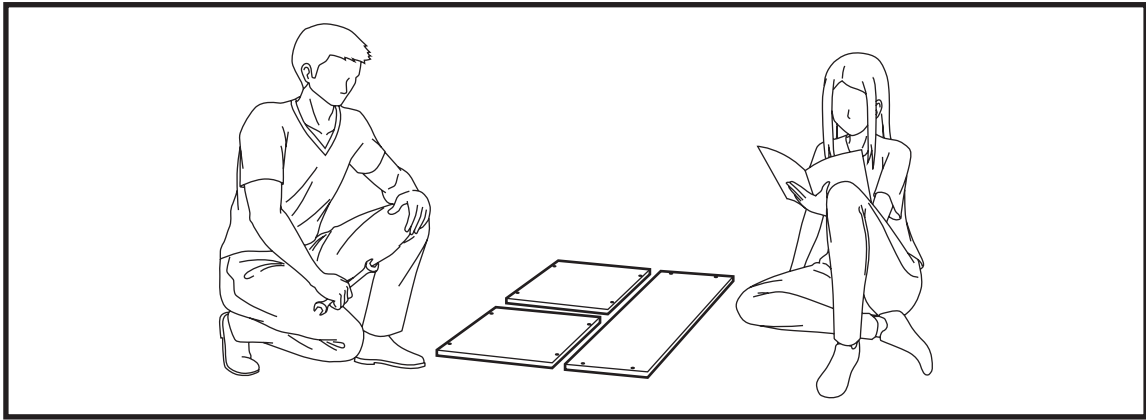
Weight Limitation

**15 lb** Drawer

**70 lb** Top

Tools Needed (Not included)





This furniture requires 2 people to assembly.

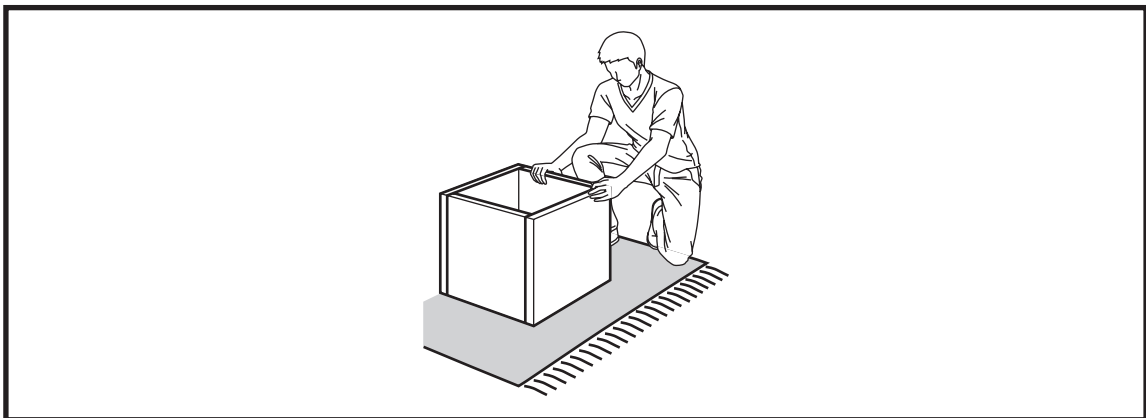
Read this instruction manual prior to assembly to familiarize yourself with various steps of construction.

Layout all components and hardware separately on flat surface and make sure no parts are missing or damaged before assembly. Do not destroy or discard any packaging until you are certain that you have all the necessary parts for the assembly

## Caution

There are small components used in the construction of this product. Loose items should be kept away from pets and children to avoid choking hazard.

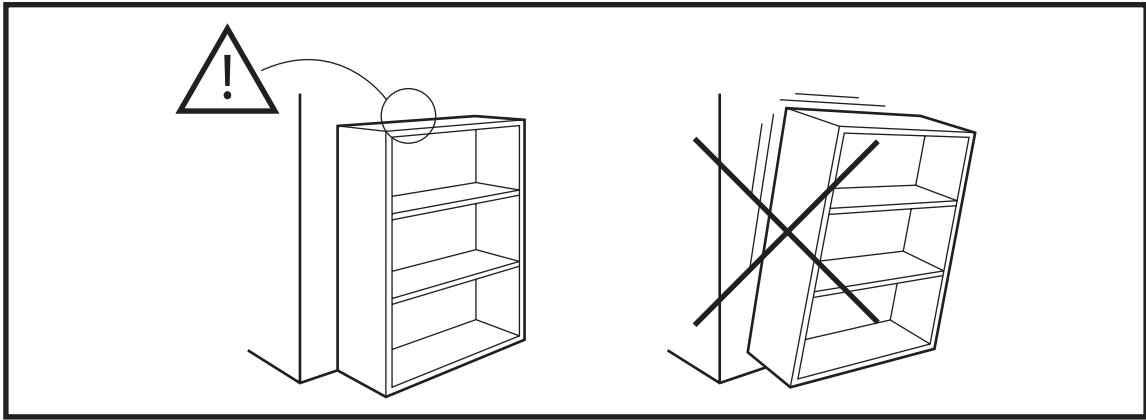
Keep all plastic bag and packaging film away from pets and children to avoid suffocation.



Assembly the furniture on empty carton, carpet, or rug to prevent scratches or damage.

Keep pets and children away from the assembly area.

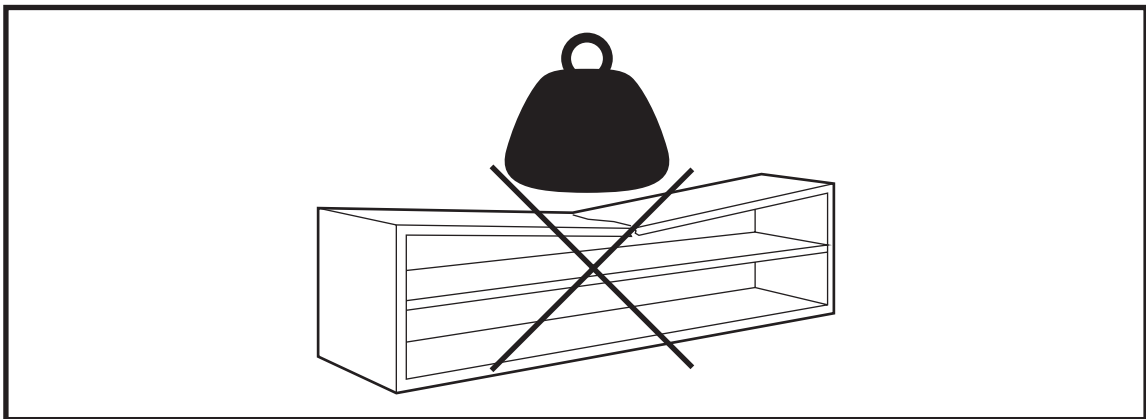
Ensure the product is fully assembled before use. Do not use if there is any missing hardware or part.



## Warning

Serious or fatal crushing injuries may occur if the furniture tip-over. Furniture must permanently fixed to the wall with included anti-tipping device to prevent the furniture from tipping over.

Different wall materials require different types of fixing device, Use suitable fixing device to secure the stability and load bearing capacity of the furniture. If you are uncertain about which type of fixing device to use, please contact your local hardware store.



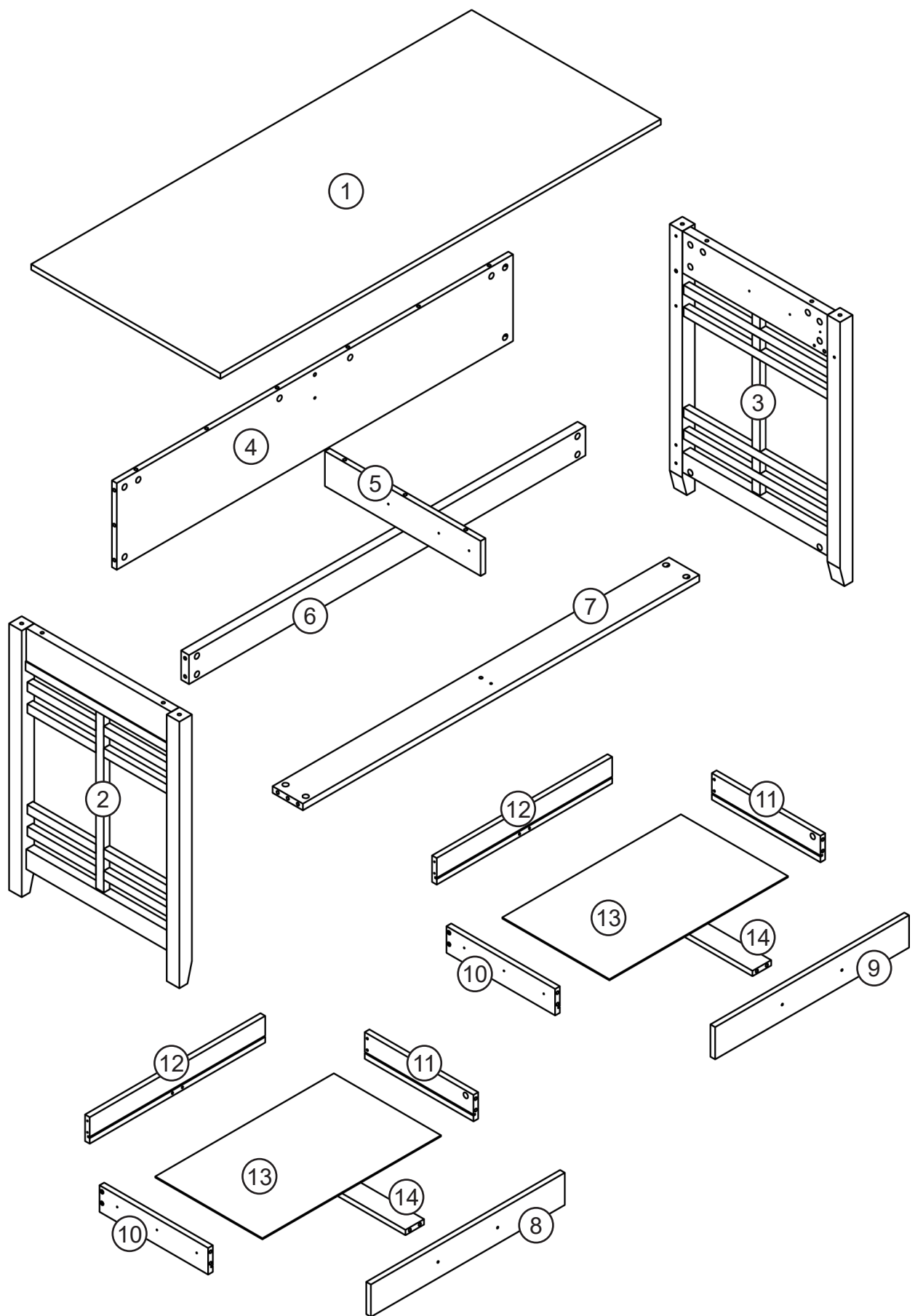
## Warning

Only place equipment which meet the recommended size and weight limit of the product.

Climbing on, stepping on, or placing over weighted objects on the product may cause property damage and / or injuries.

Equipment placed on this product must be resting on a support surface without overhanging any parts over the edges.

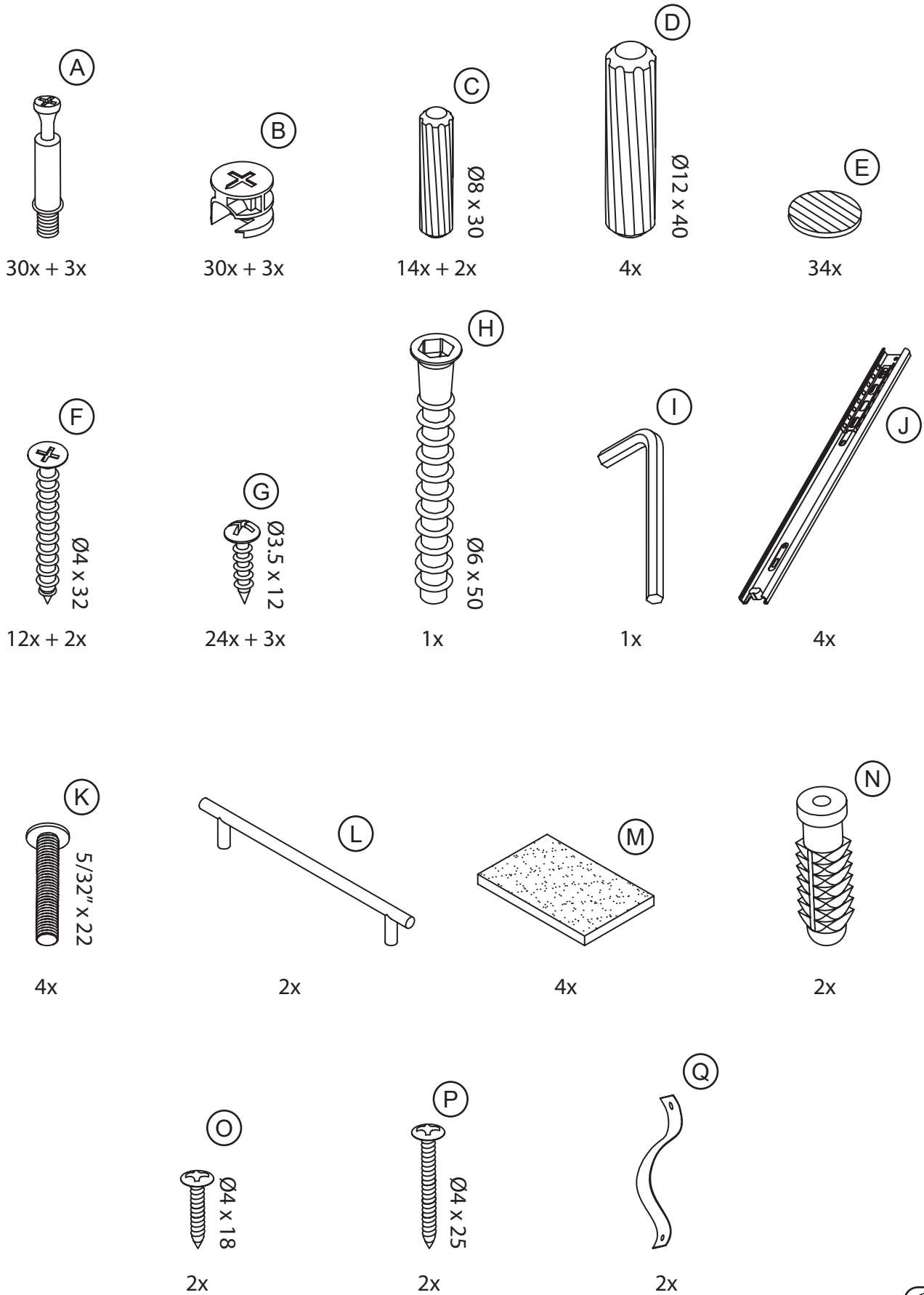
# PACKAGE CONTENT



## PACKAGE CONTENT

| CODE | DESCRIPTION              | QTY |
|------|--------------------------|-----|
| 1    | Top Panel                | 1   |
| 2    | Left Leg Frame           | 1   |
| 3    | Right Leg Frame          | 1   |
| 4    | Back Panel               | 1   |
| 5    | Drawer Divider           | 1   |
| 6    | Back Stretcher           | 1   |
| 7    | Drawer Stretcher         | 1   |
| 8    | Left Drawer Front Panel  | 1   |
| 9    | Right Drawer Front Panel | 1   |
| 10   | Drawer Left Side Panel   | 2   |
| 11   | Drawer Right Side Panel  | 2   |
| 12   | Drawer Back Panel        | 2   |
| 13   | Drawer Bottom Panel      | 2   |
| 14   | Drawer Stiffener         | 2   |

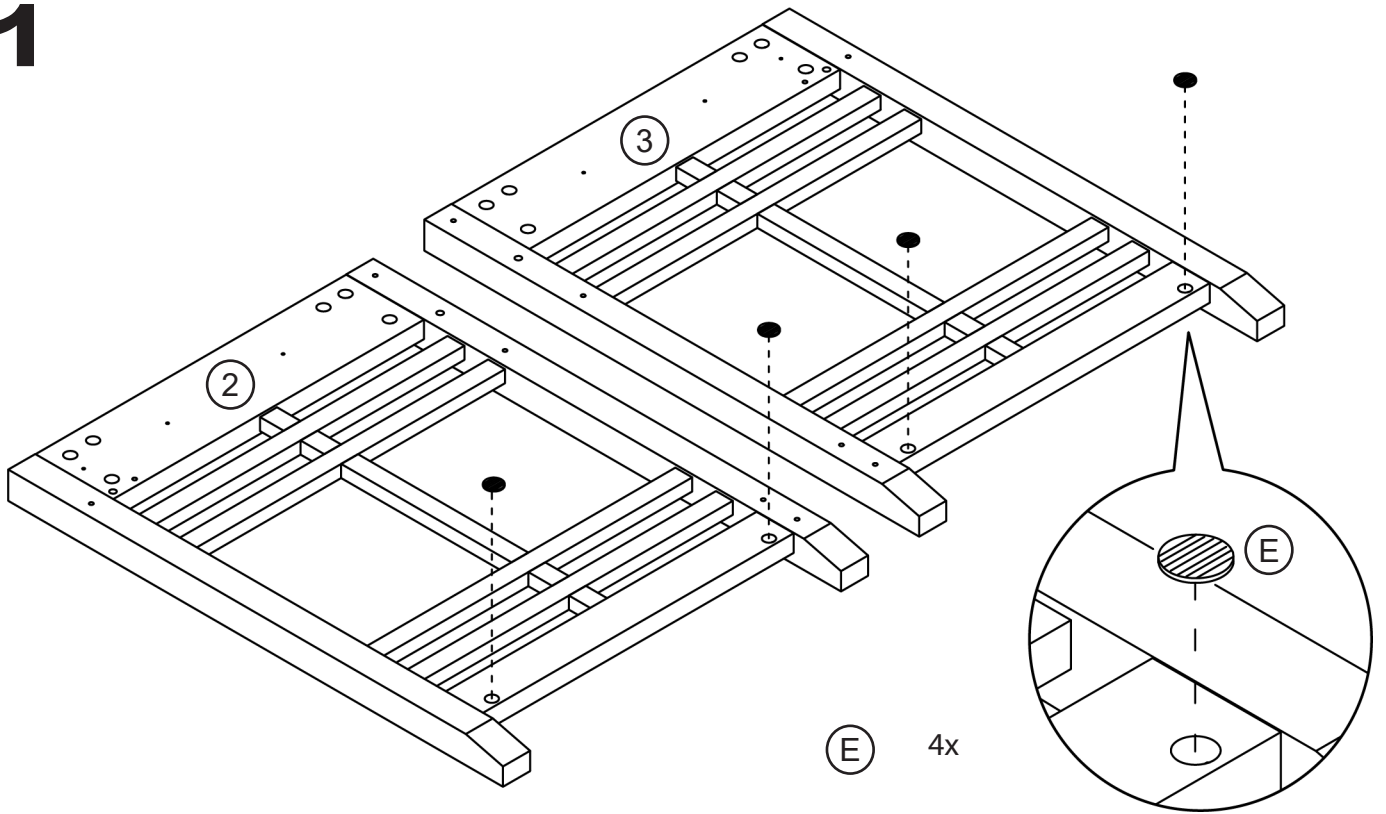
# PACKAGE CONTENT



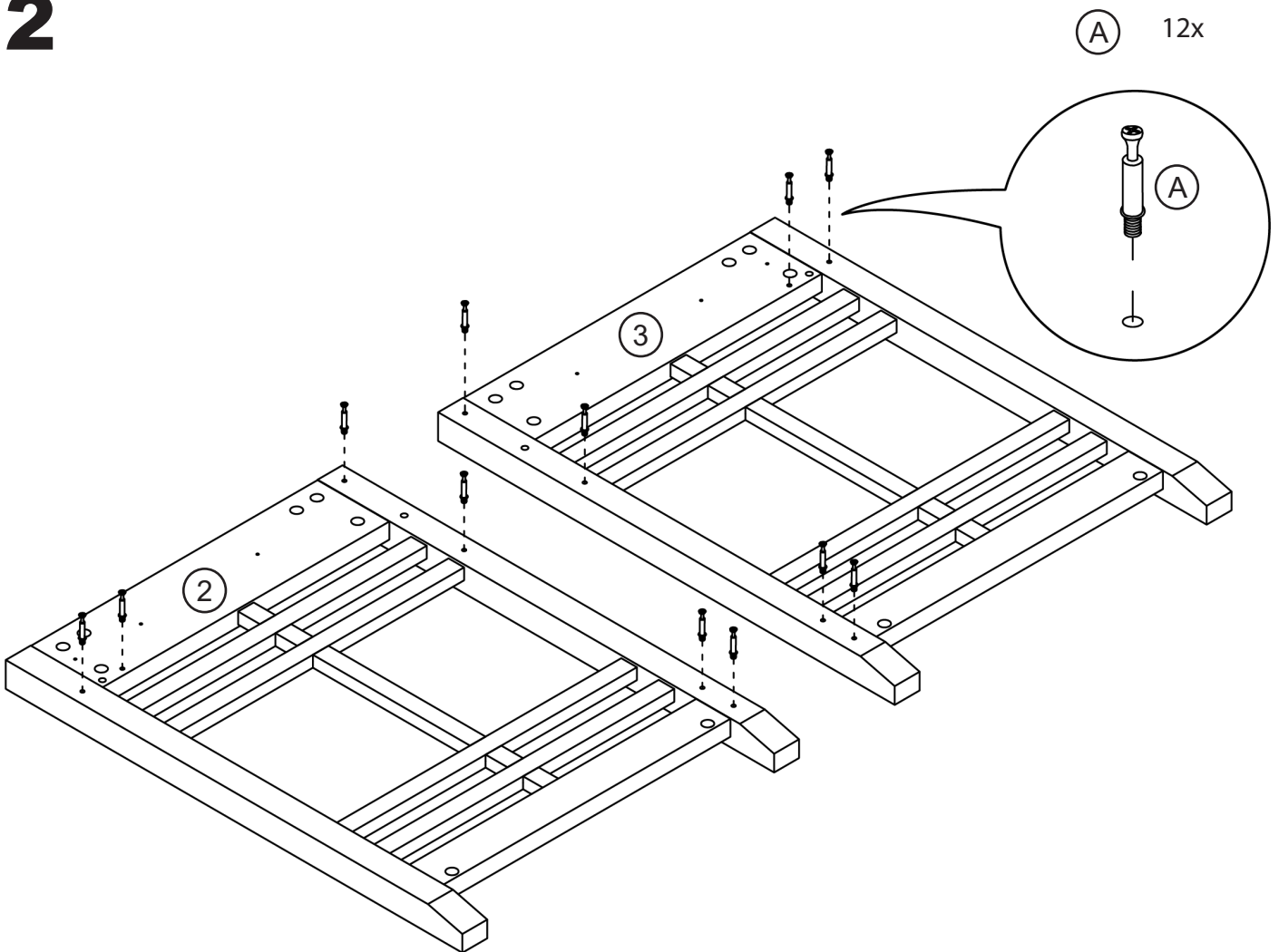
Install all hardware perpendicular to the opening.



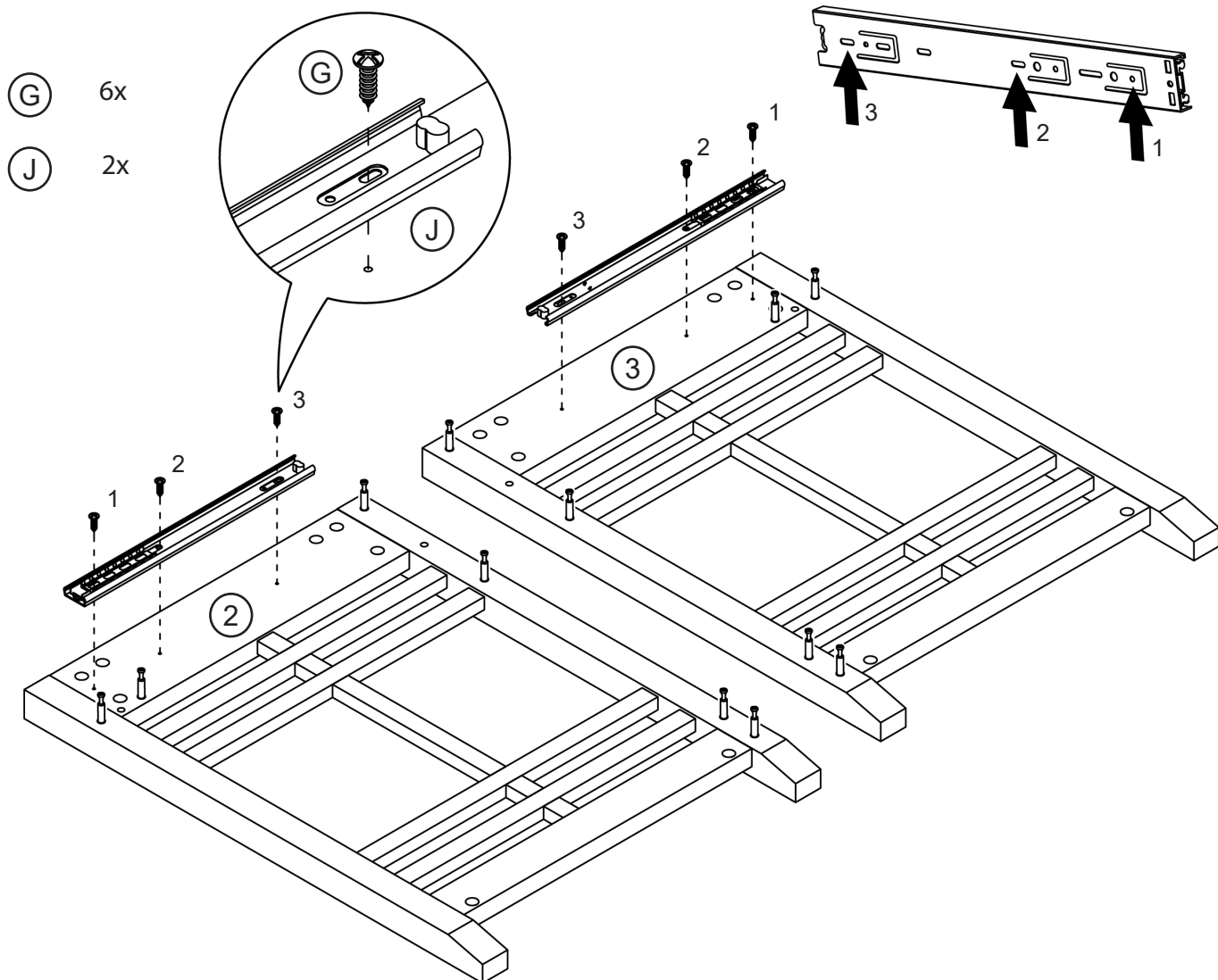
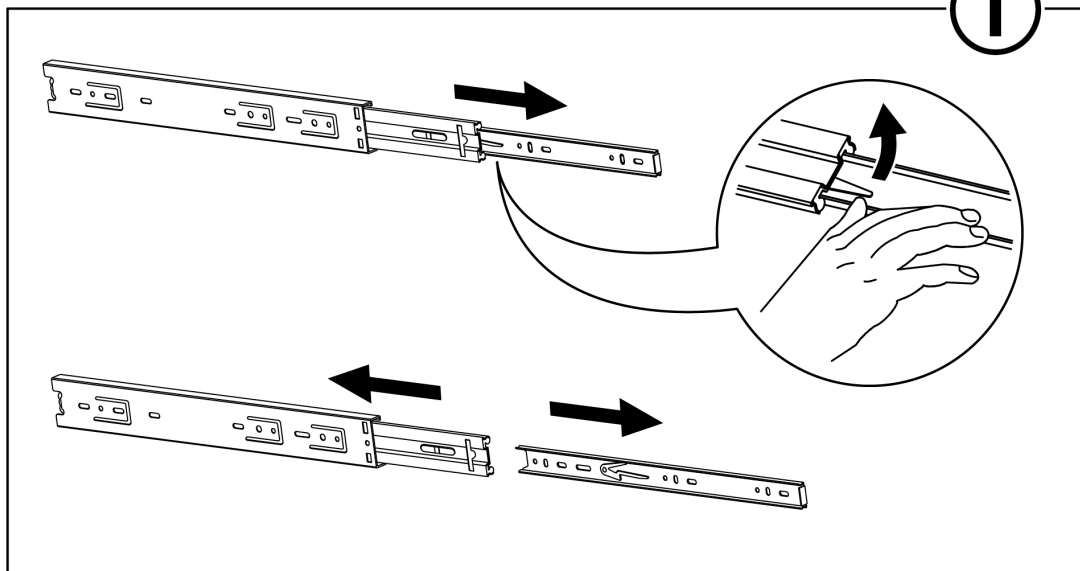
# 1



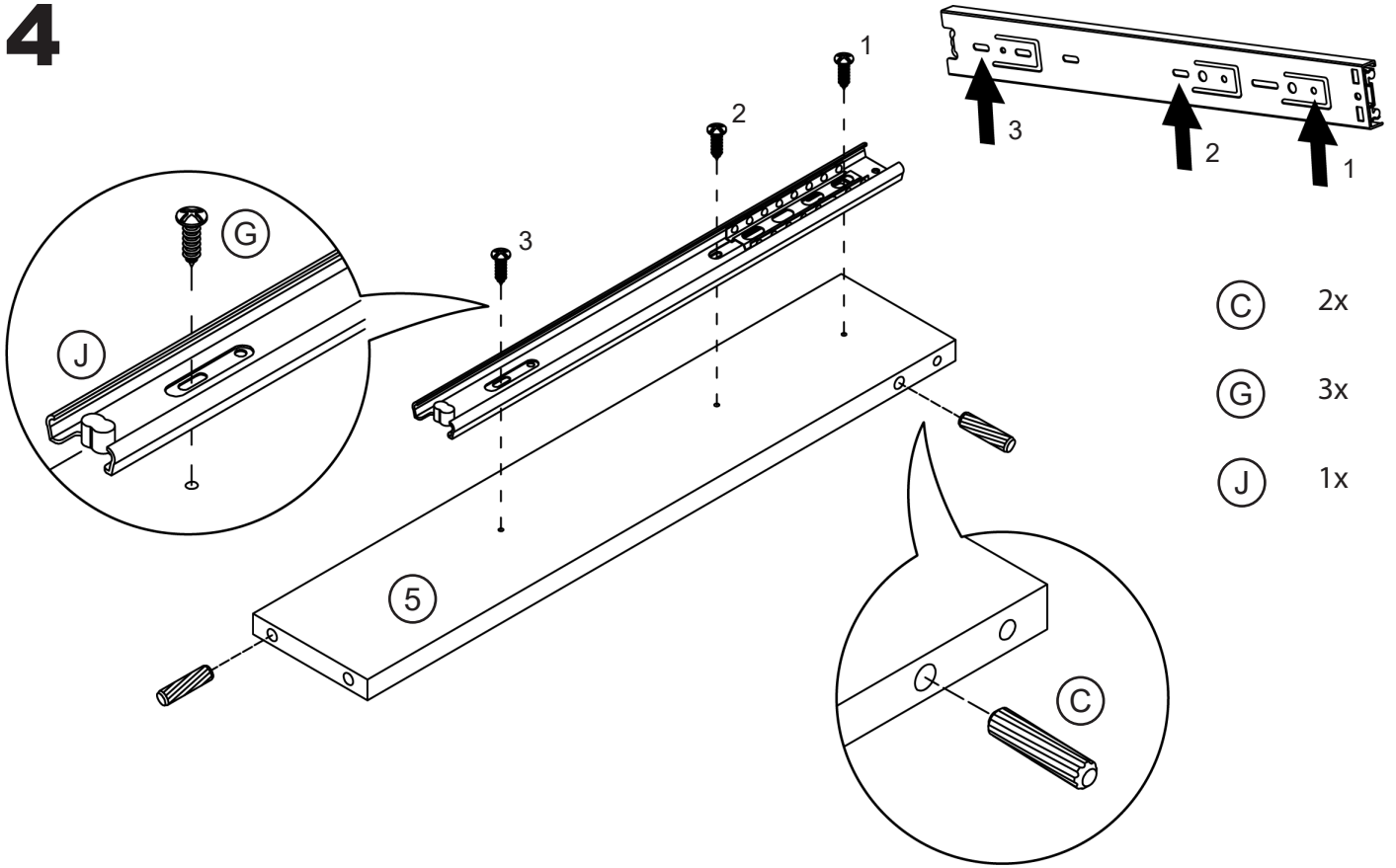
# 2



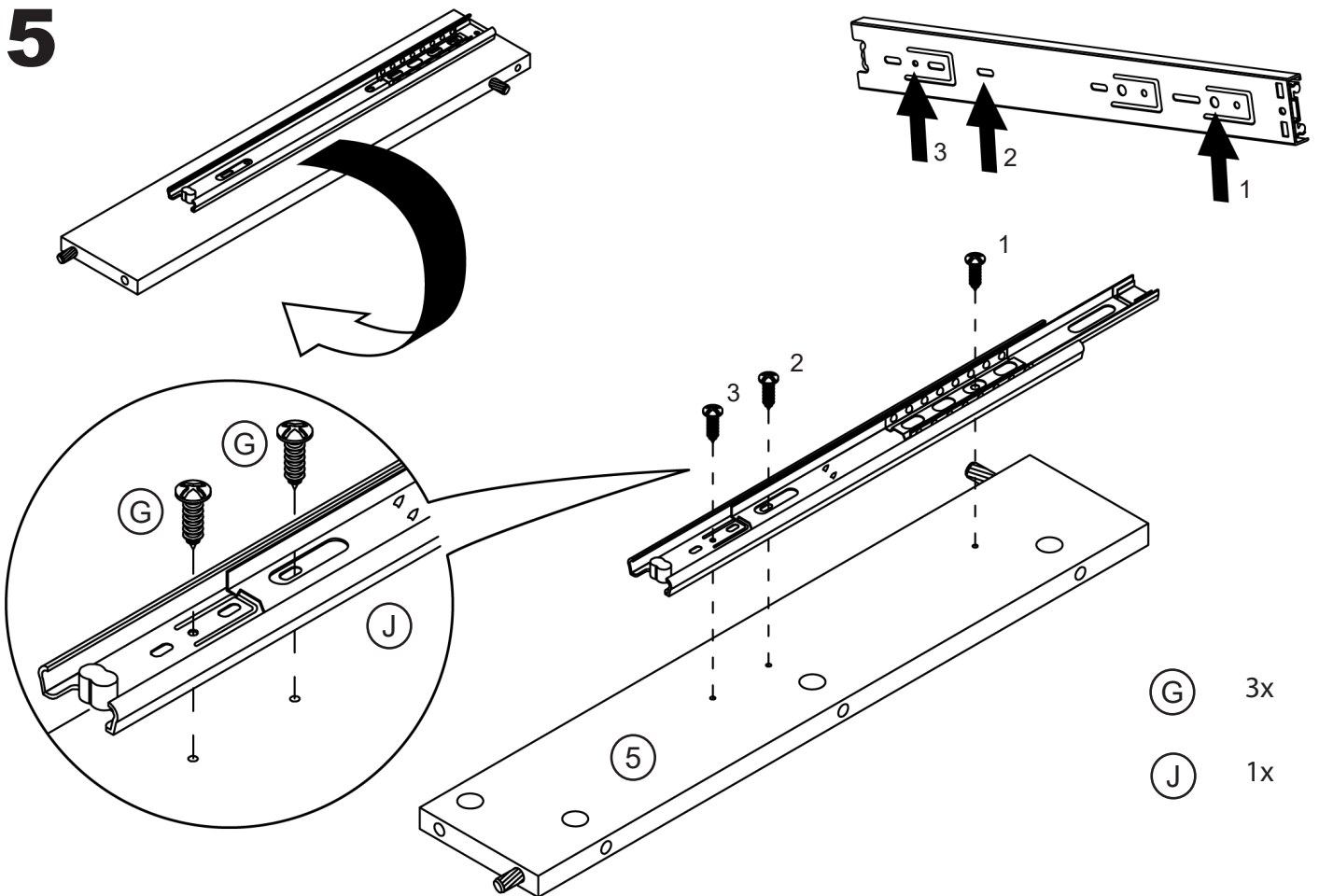
**3**



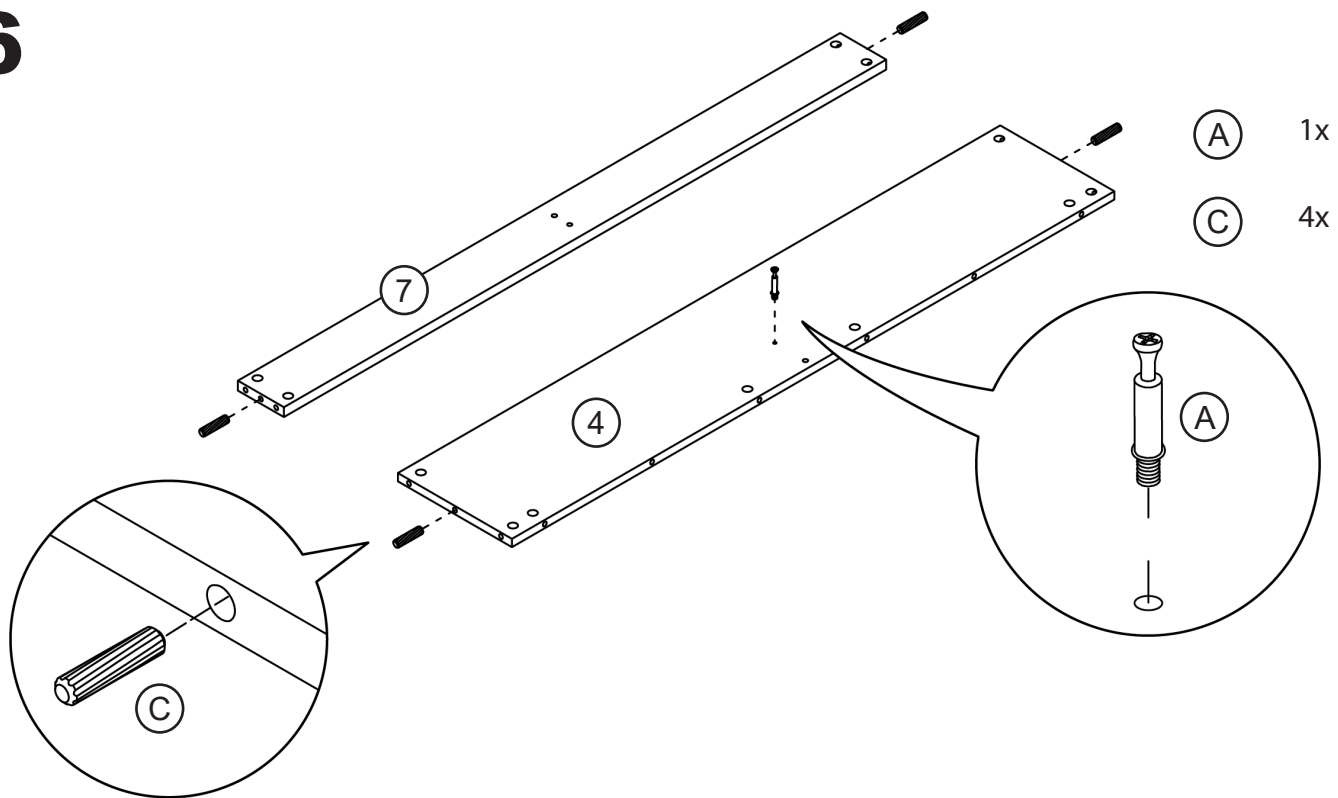
# 4



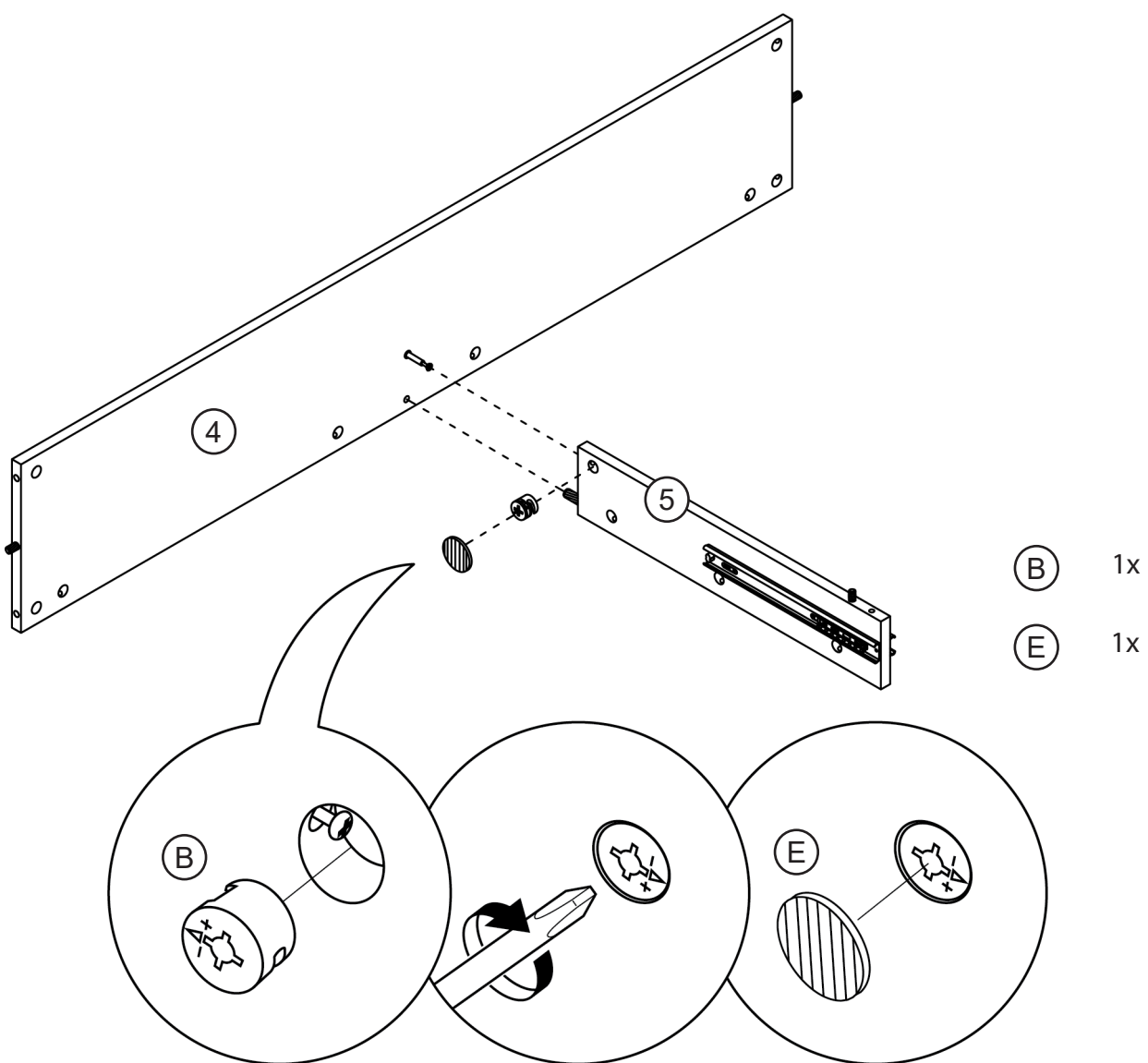
# 5



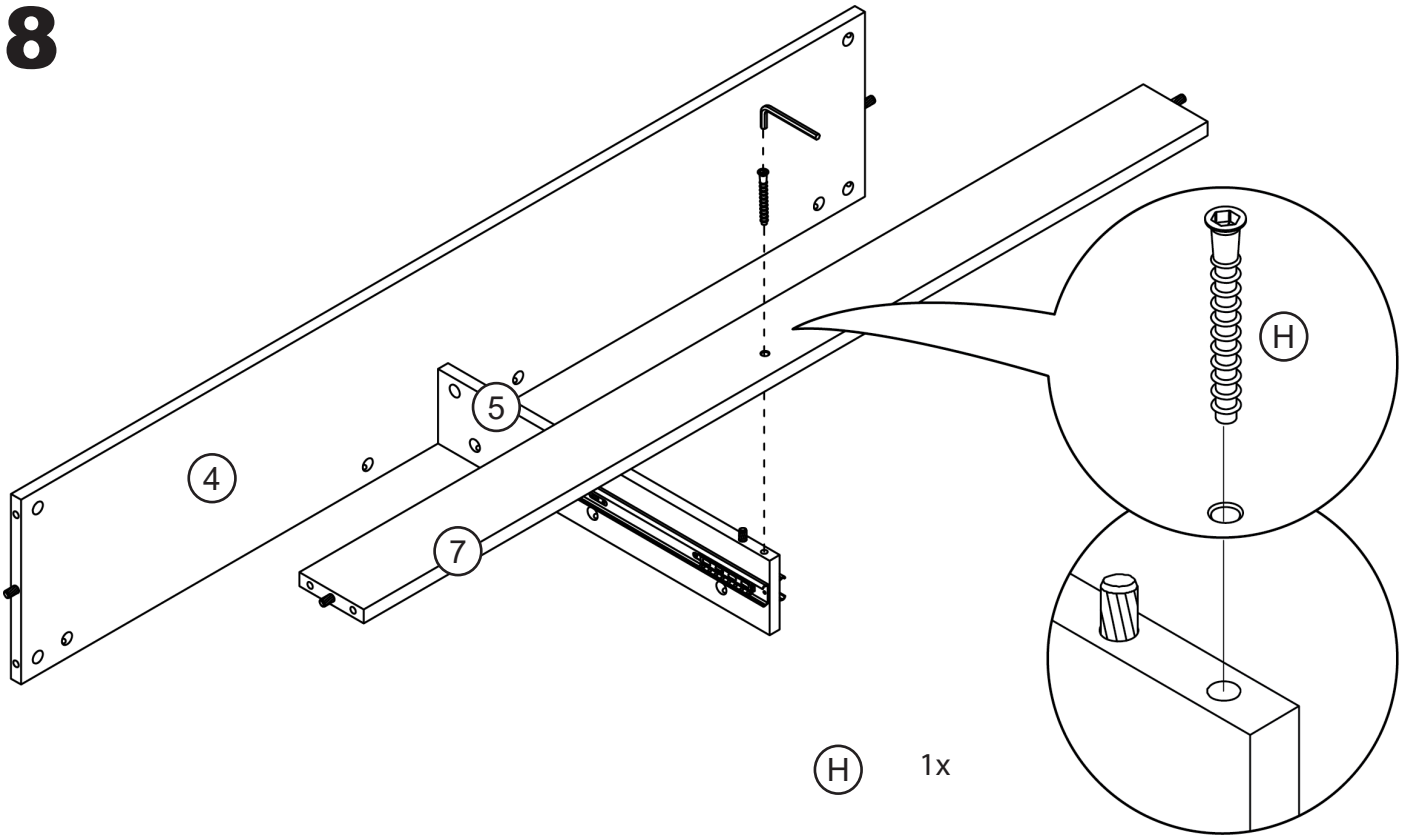
# 6



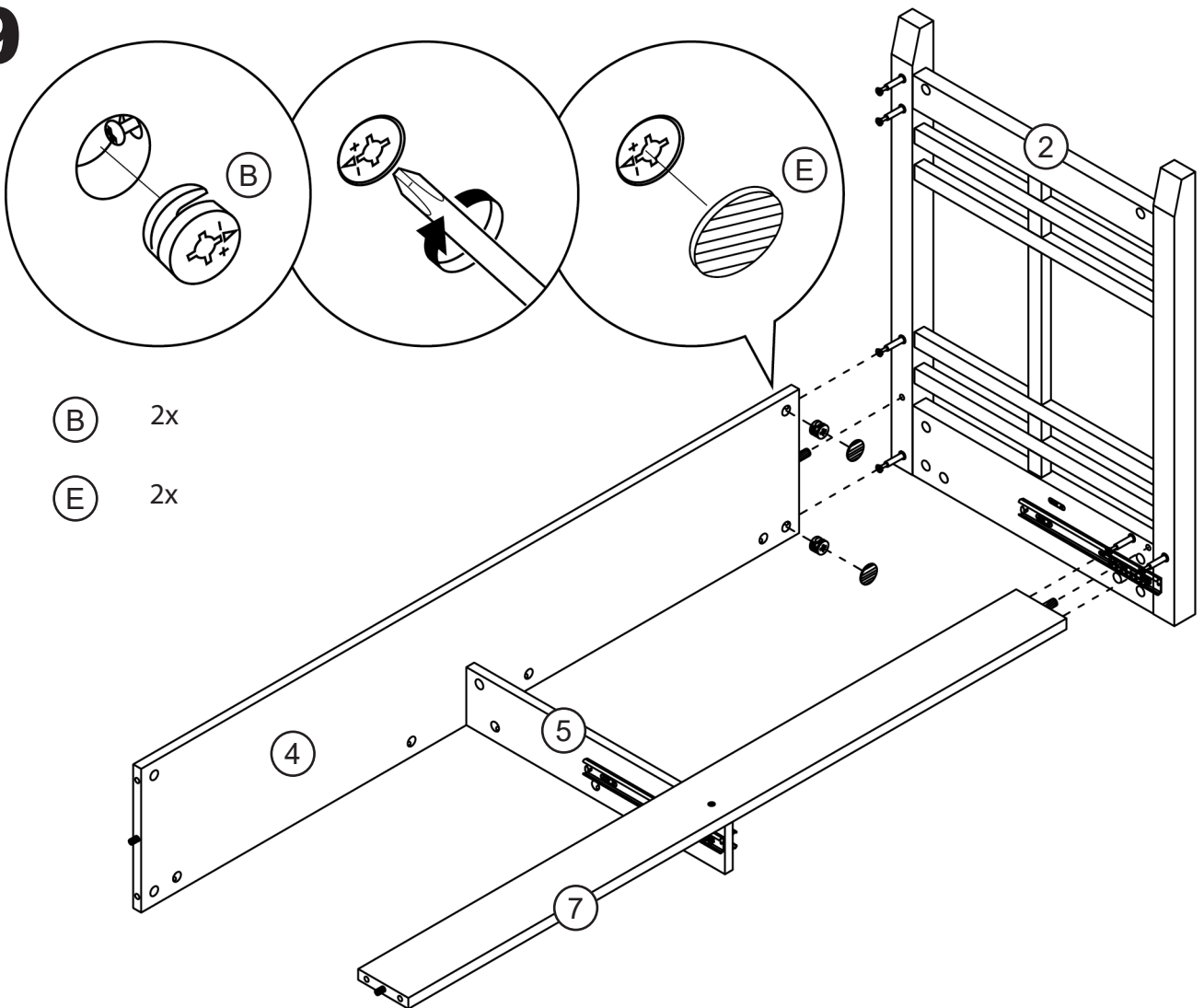
# 7



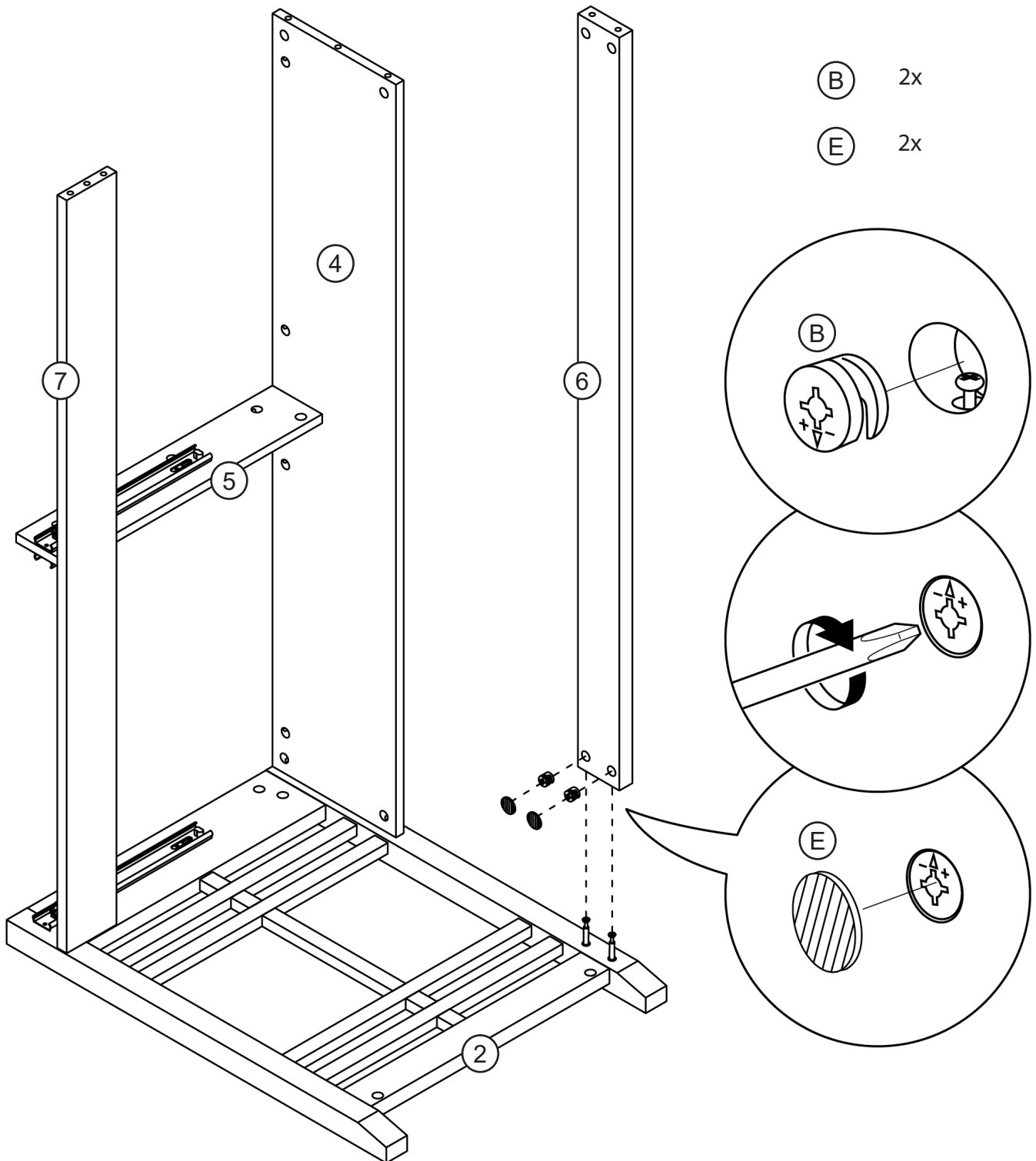
8



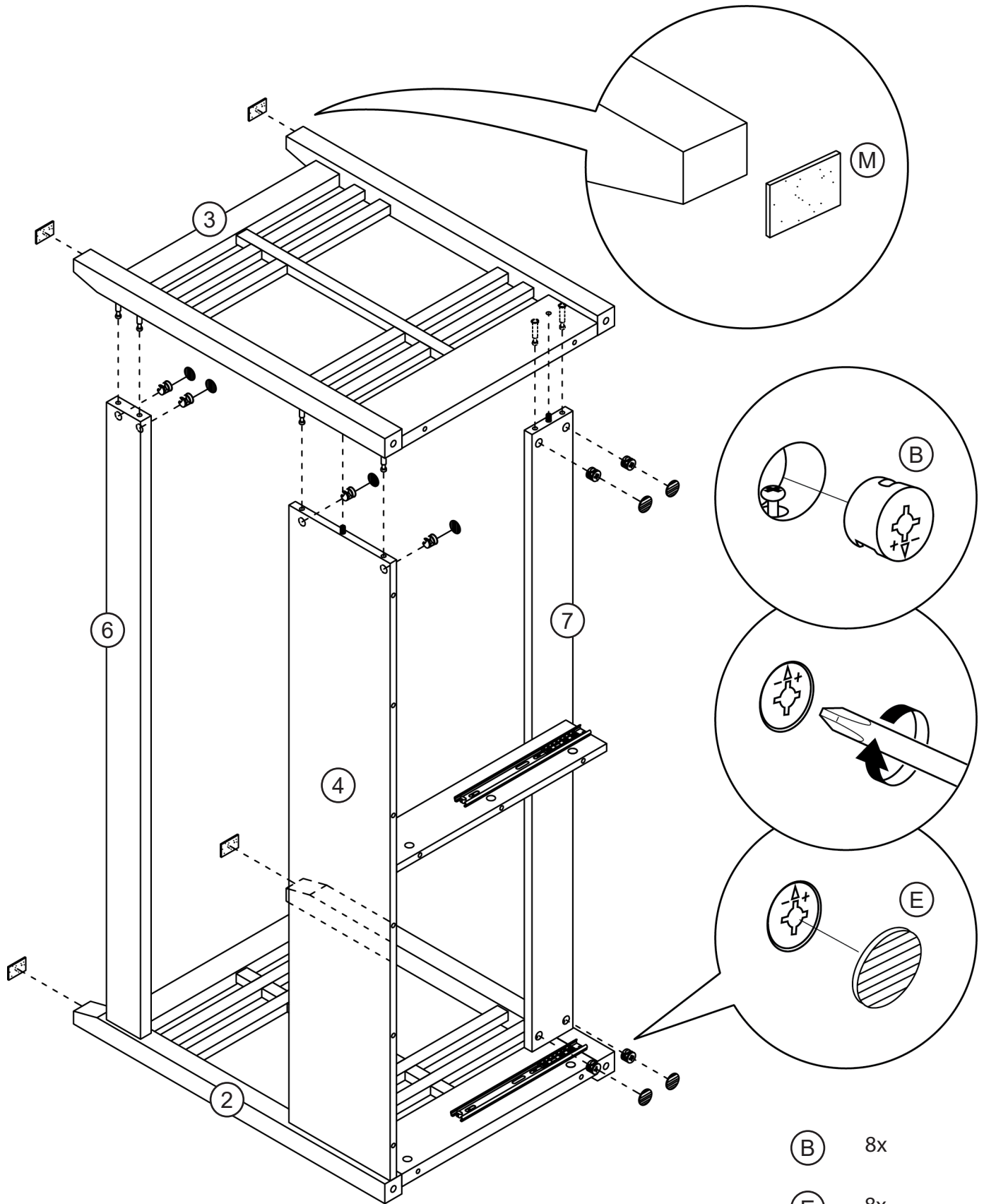
9



# 10

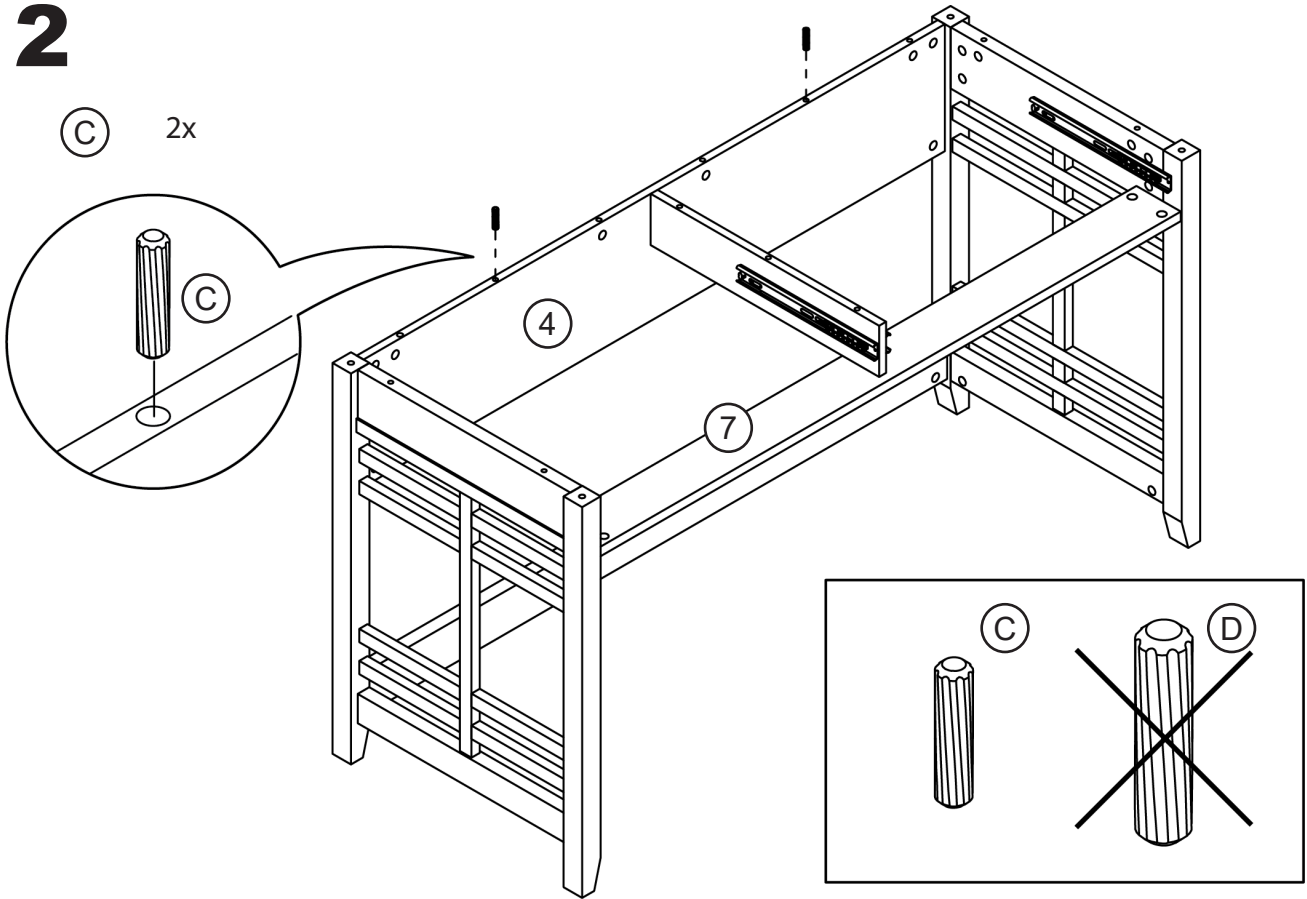


# 11

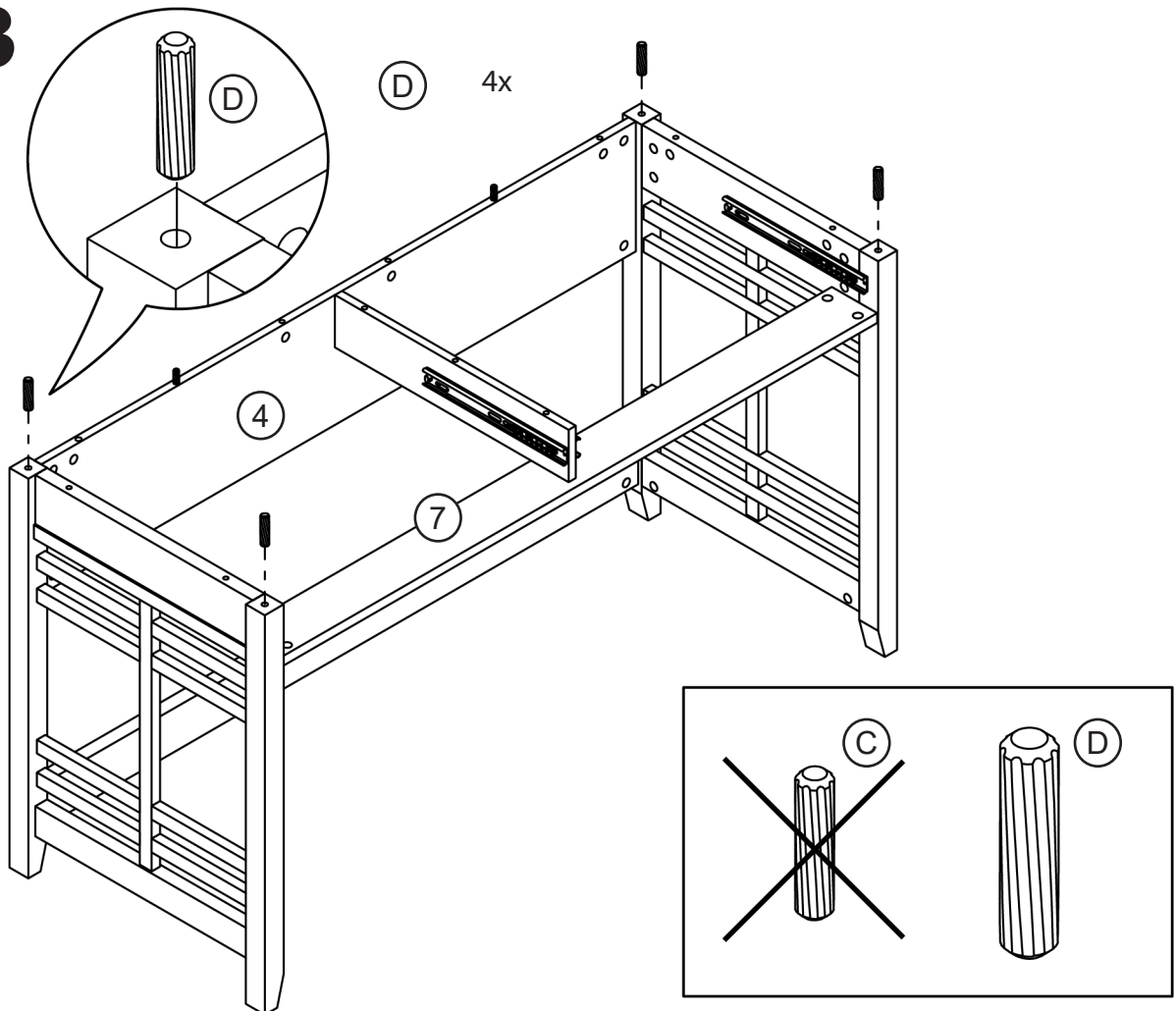


- (B) 8x
- (E) 8x
- (M) 4x

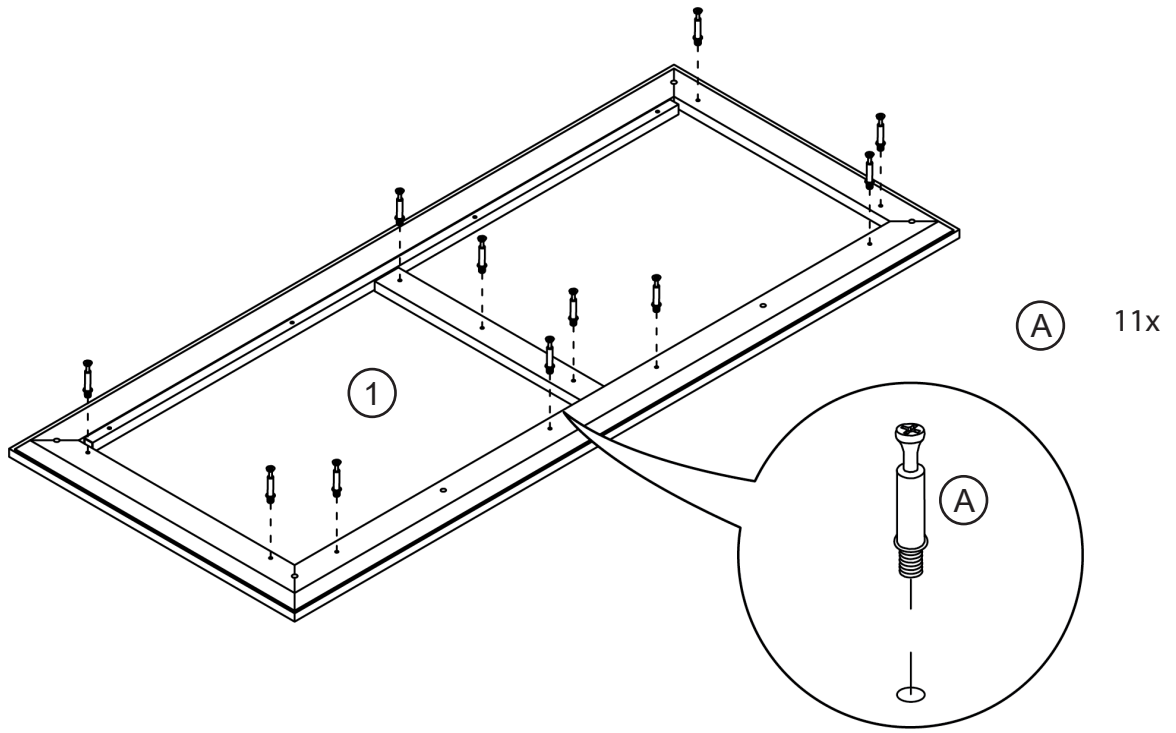
# 12



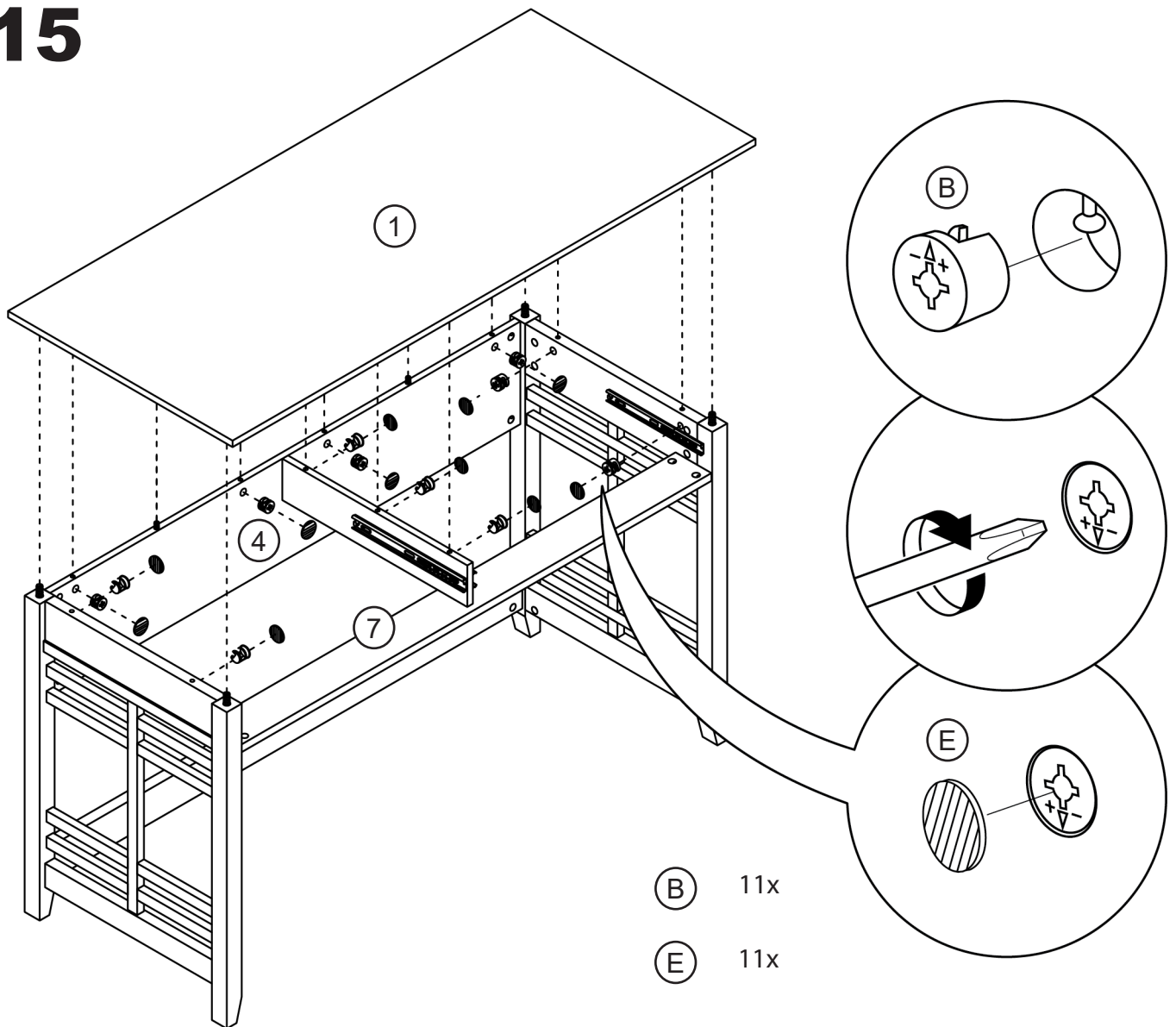
# 13



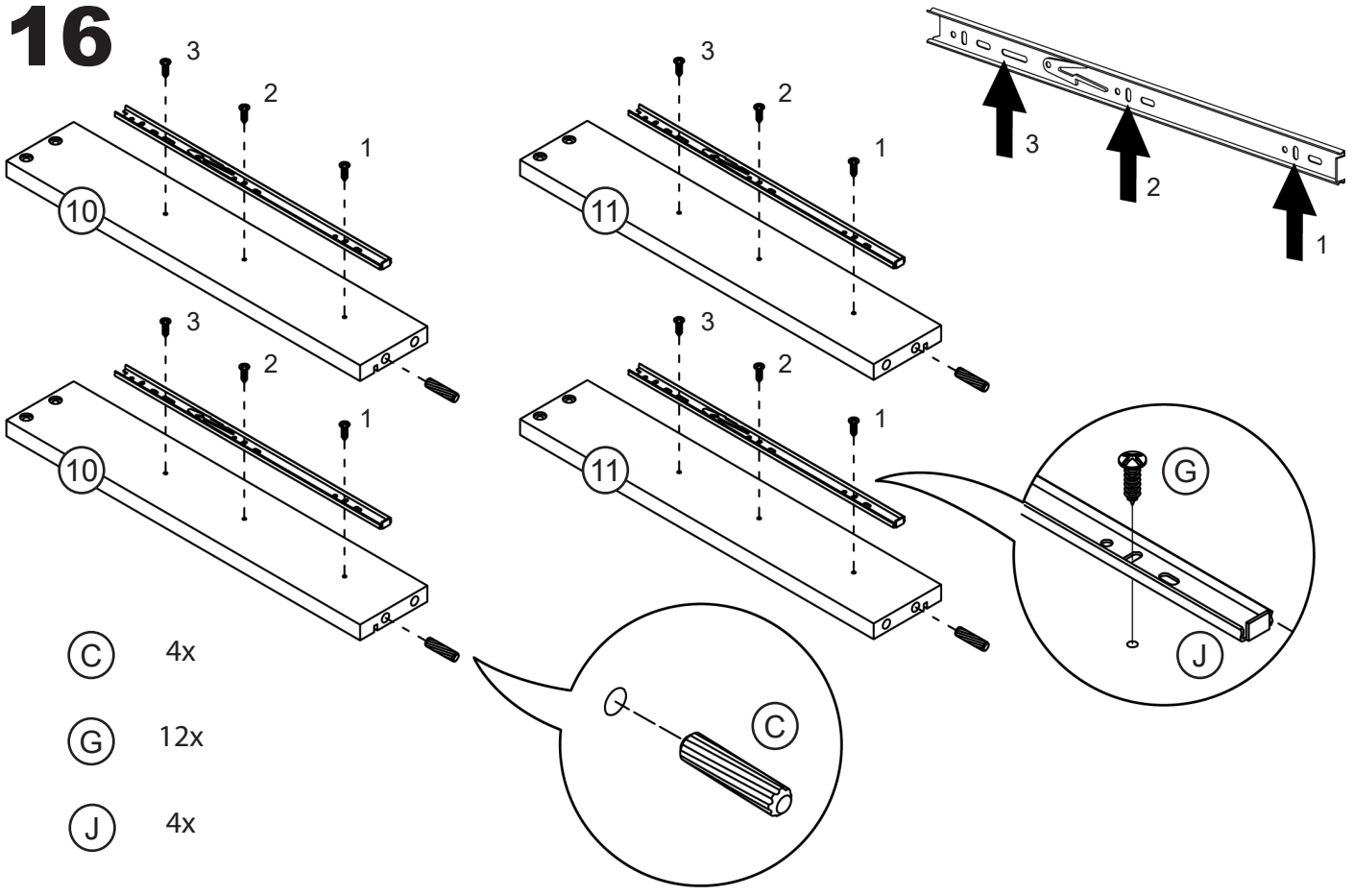
# 14



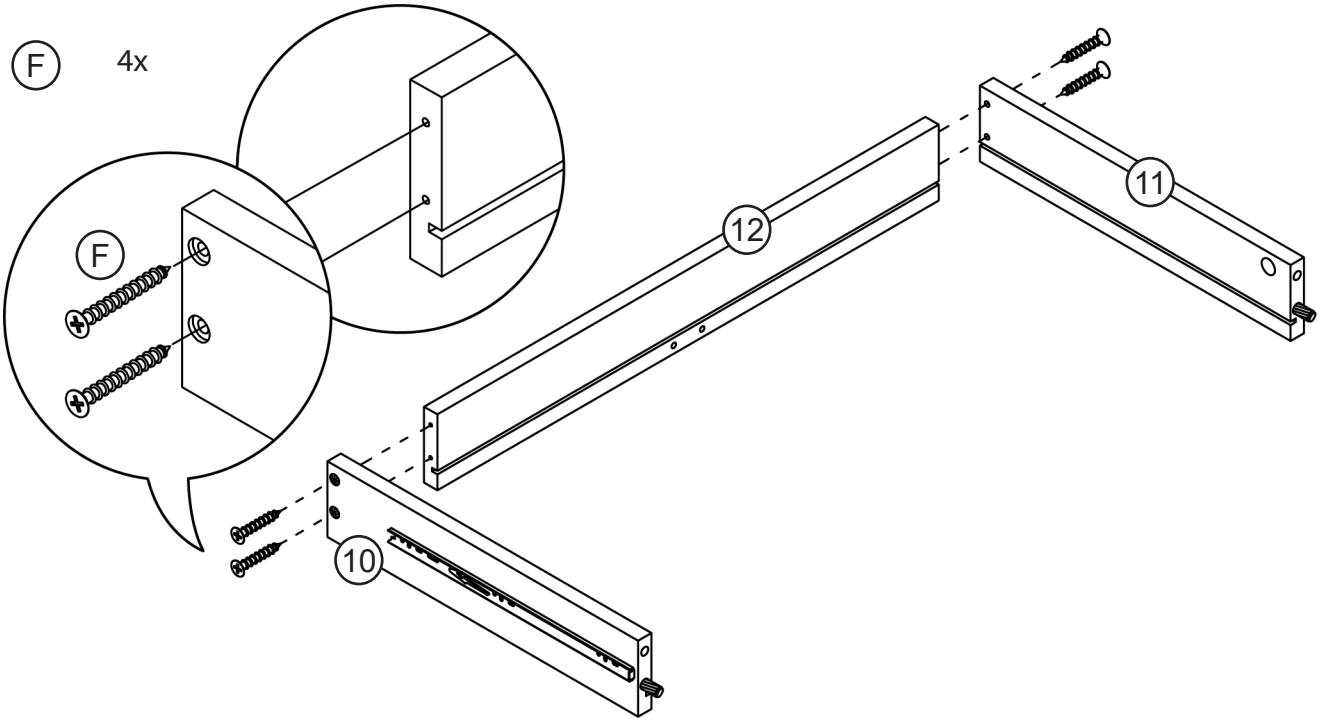
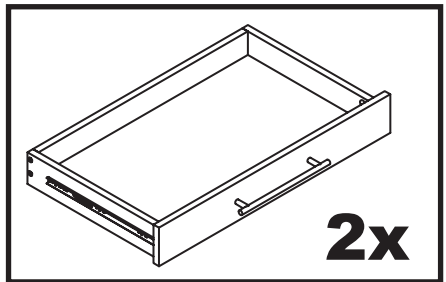
# 15



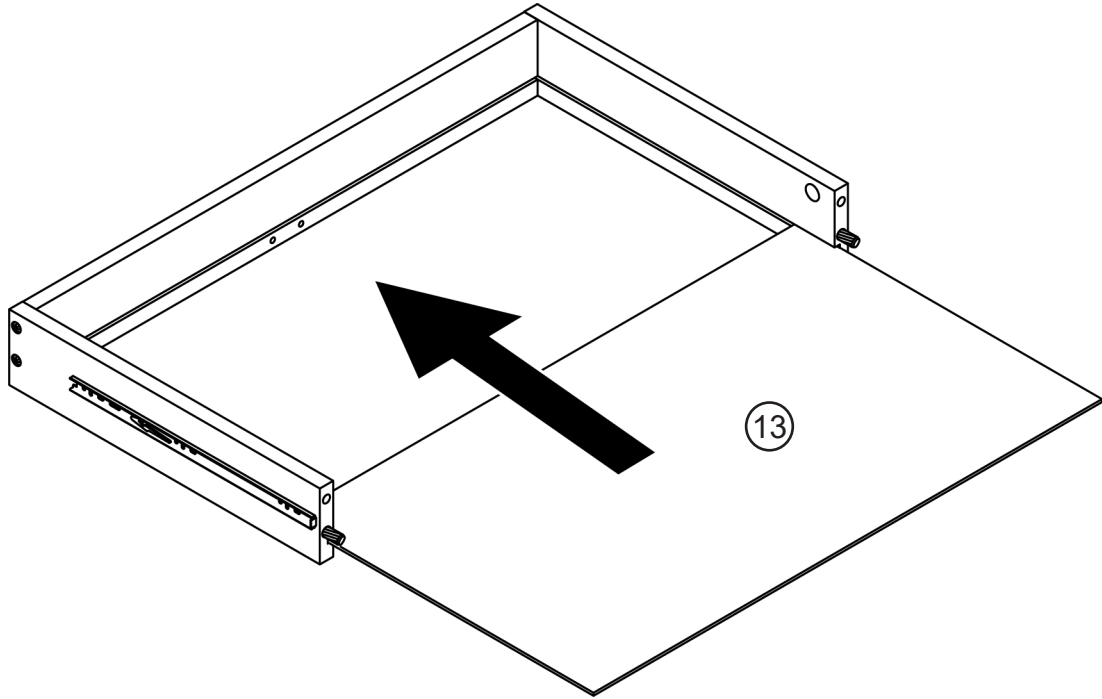
# 16



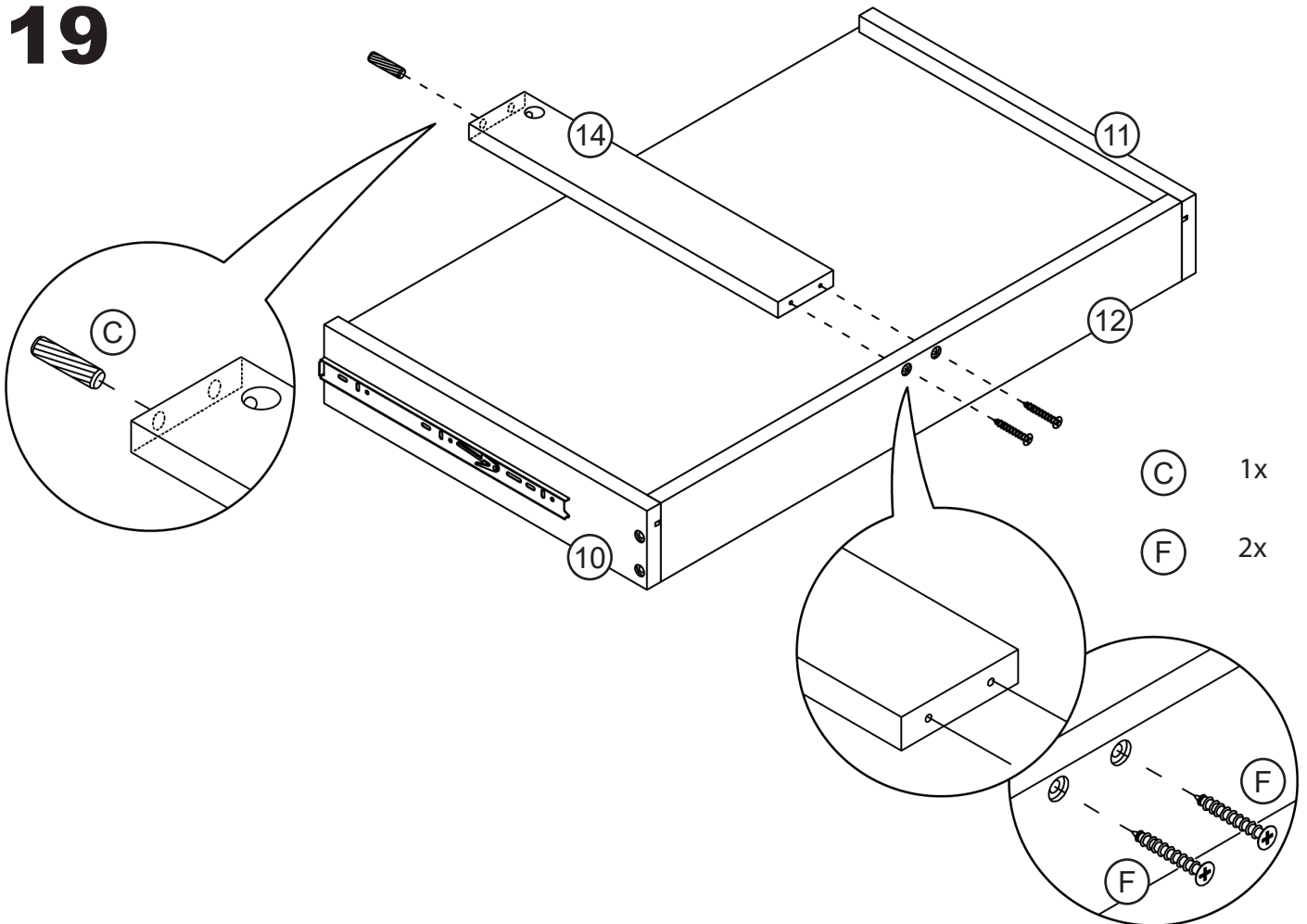
# 17



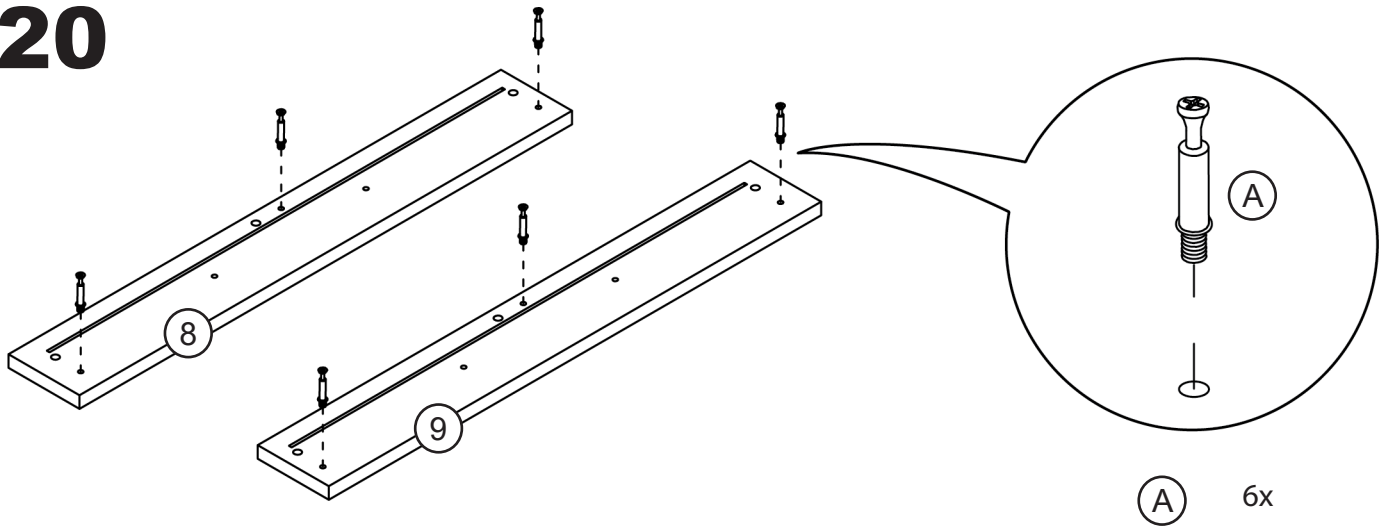
# 18



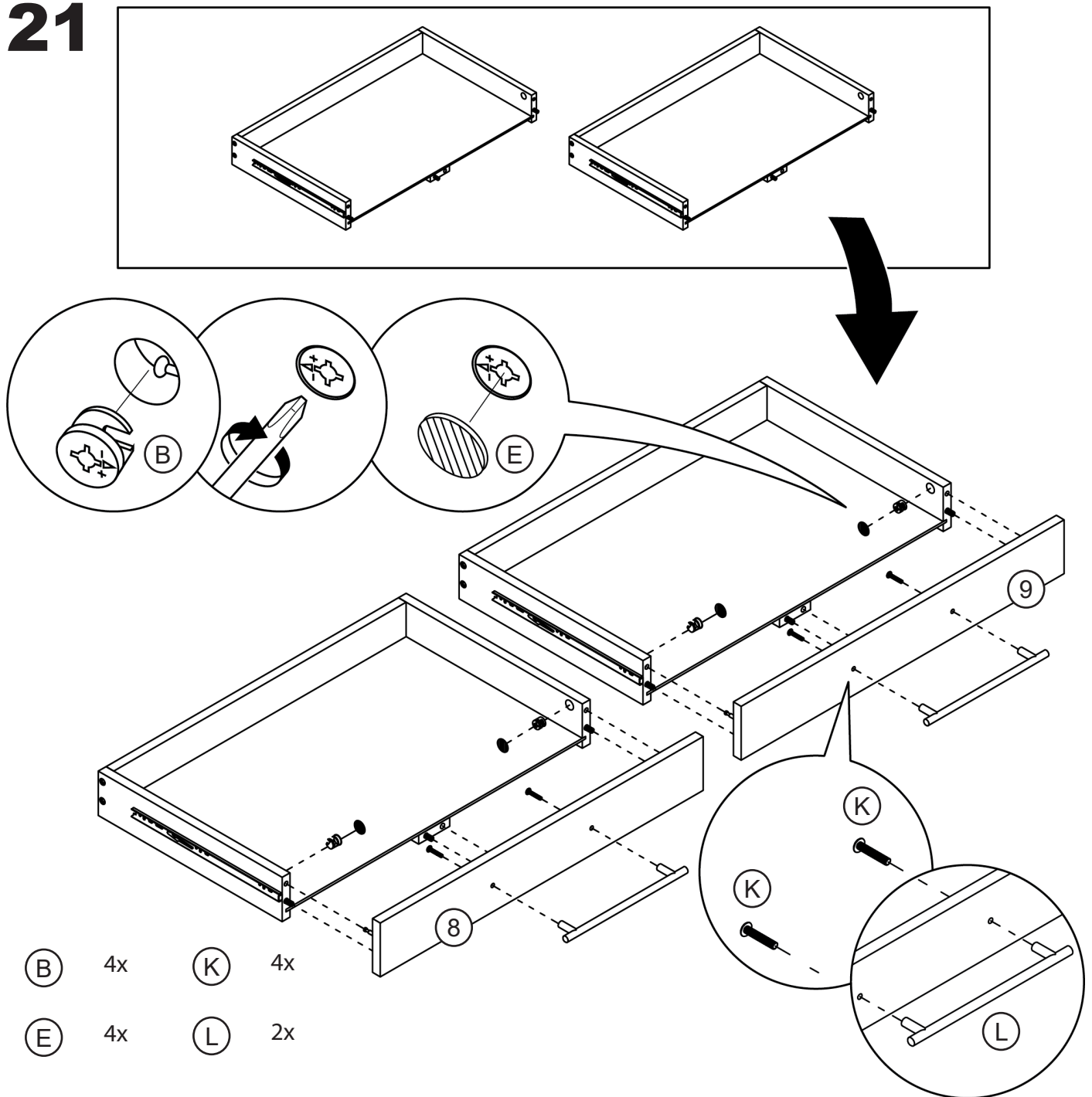
# 19



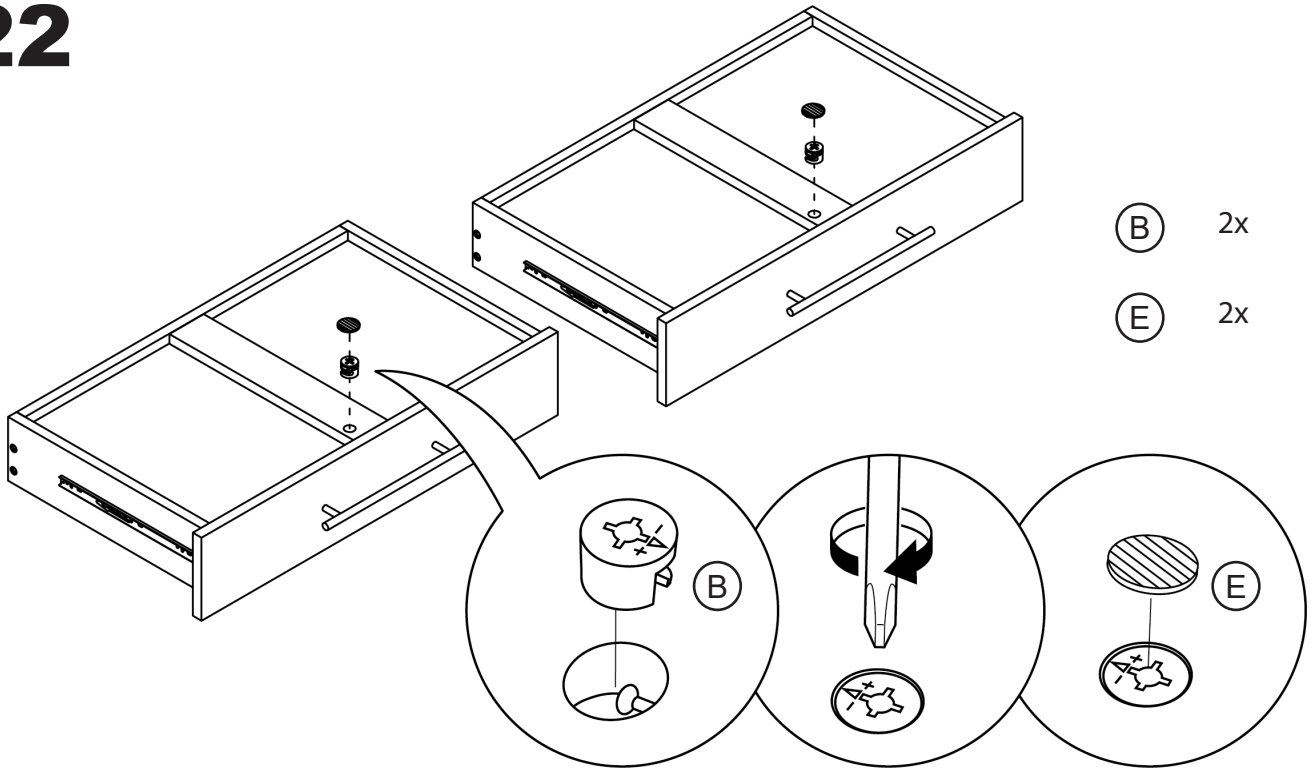
# 20



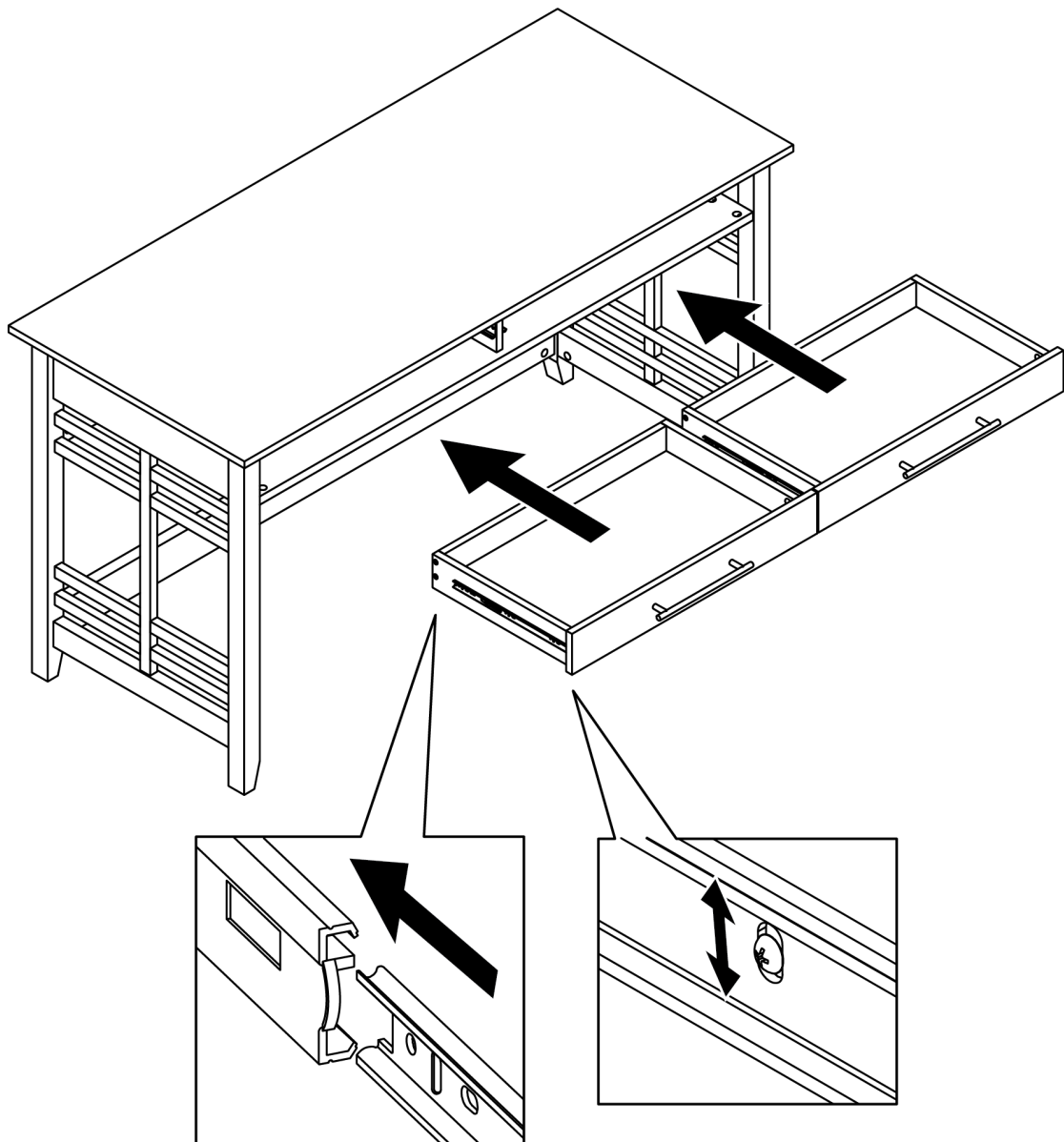
# 21

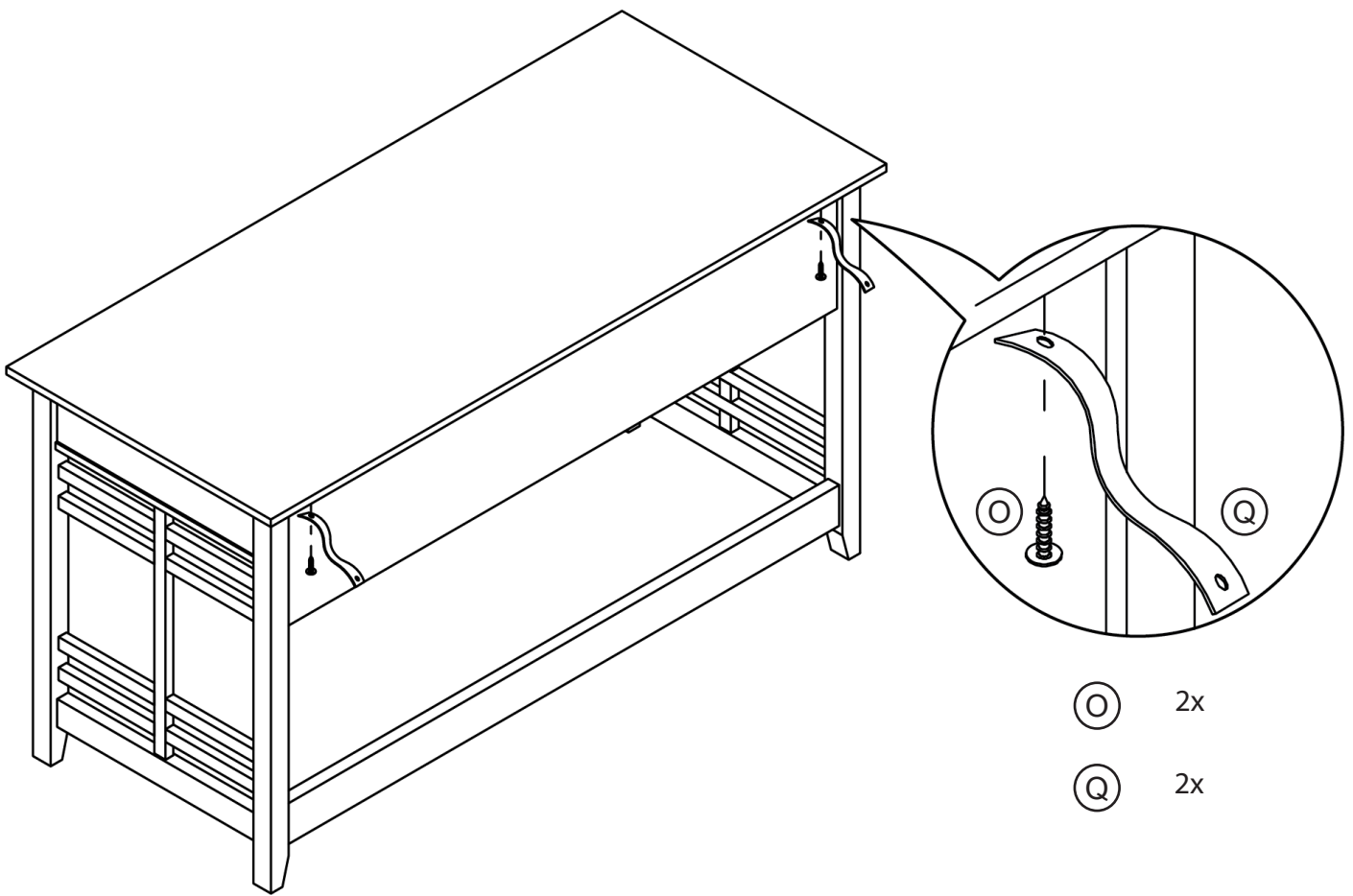


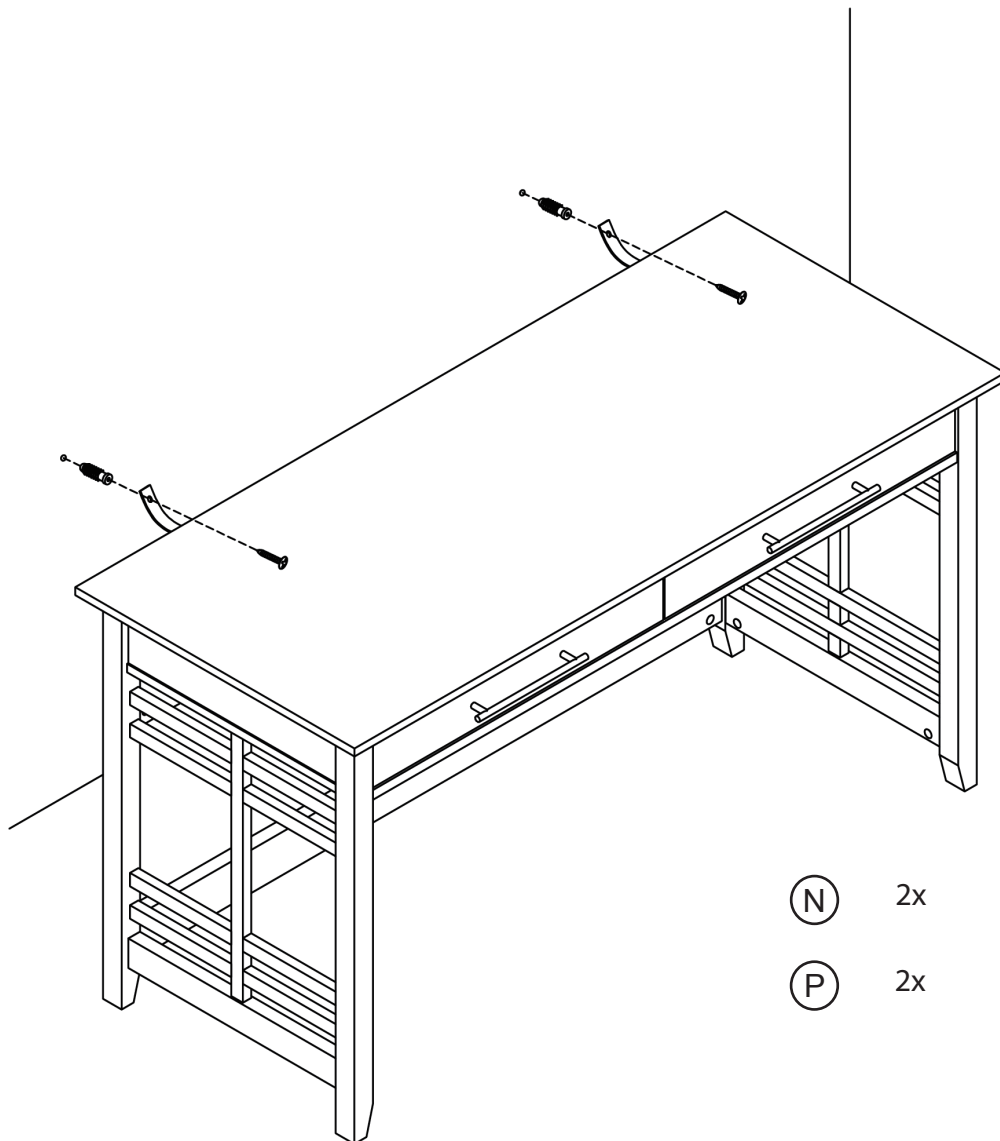
# 22



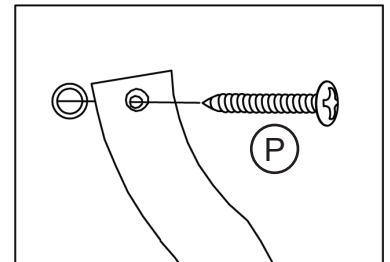
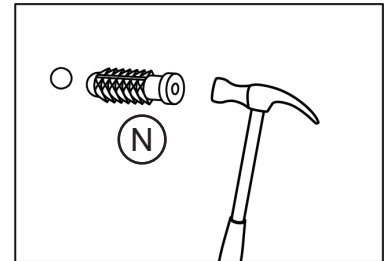
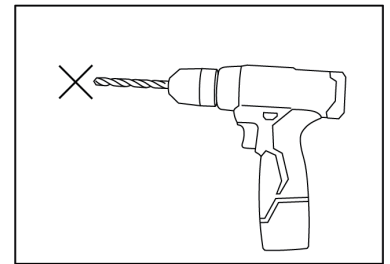
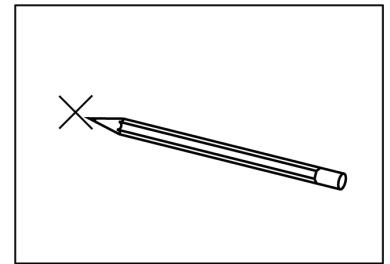
# 23







(N) 2x  
(P) 2x



Furniture must permanently fixed to the wall stud with included anti-tipping device to prevent the furniture from tipping over.

- Mark the drill position on the wall with a pencil.
- Drill a small hole on the marked position.
- Insert a wall anchor into the drilled hole.
- Fixed the anti-tipping strap to the wall with provided screws.

## FINISH!

## FURNITURE CARE AND MAINTENANCE

### Medium - Density Fiberboard

Thank you for your purchase. We want your item to last as long as possible. To ensure the product gives you years of service, please refer to this care and maintenance guide.



#### MAINTENANCE

- Tighten all bolts and screws again within the first 2 weeks of assembly.
- Check the tightness of all bolts every 2 months, tighten them if necessary.



#### CLEANING

- Clean the surface of the MDF (medium - density fiberboard) with a lightly dampened cloth.
- Small amount of mild soap can be used if necessary.
- Dry the surface immediately after cleaning.

⚠ DO NOT use bleach or alcohol detergent to clean the surface.

⚠ DO NOT apply wood treatment on parts made with MDF.

Medium - density fiberboard will swell and distort when suffer from water damage. Make sure to dry the furniture immediately after cleaning.

#### ⚠ WARNING

Manufacturer and seller expressly disclaim any and all liability for personal injury, property damage or losses, whether direct, indirect, or incidental, resulting from the incorrect attachment, improper use, inadequate maintenance, unapproved modification or neglect of this product.

## **Warranty**

Our products come with a 1 year warranty from the date of delivery.

In any event that the product arrives damaged or missing parts,  
we are more than happy to provide you with replacement part(s).

**Register your product on our website to enjoy limited lifetime warranty!!**