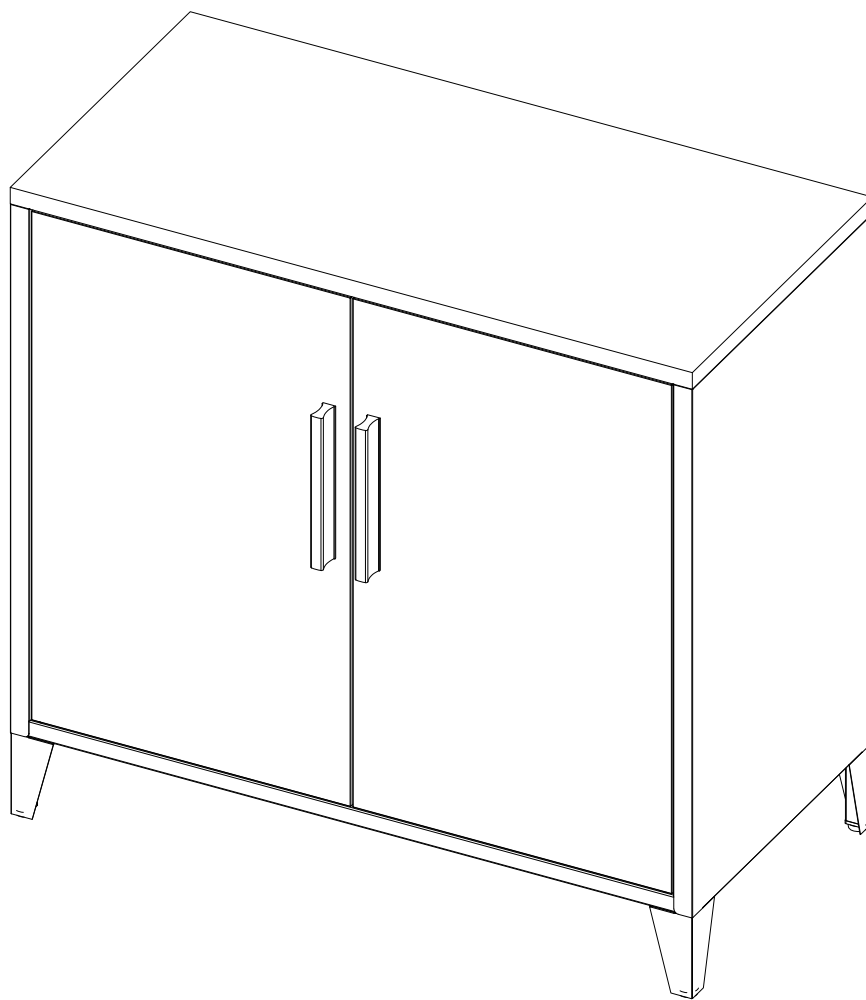
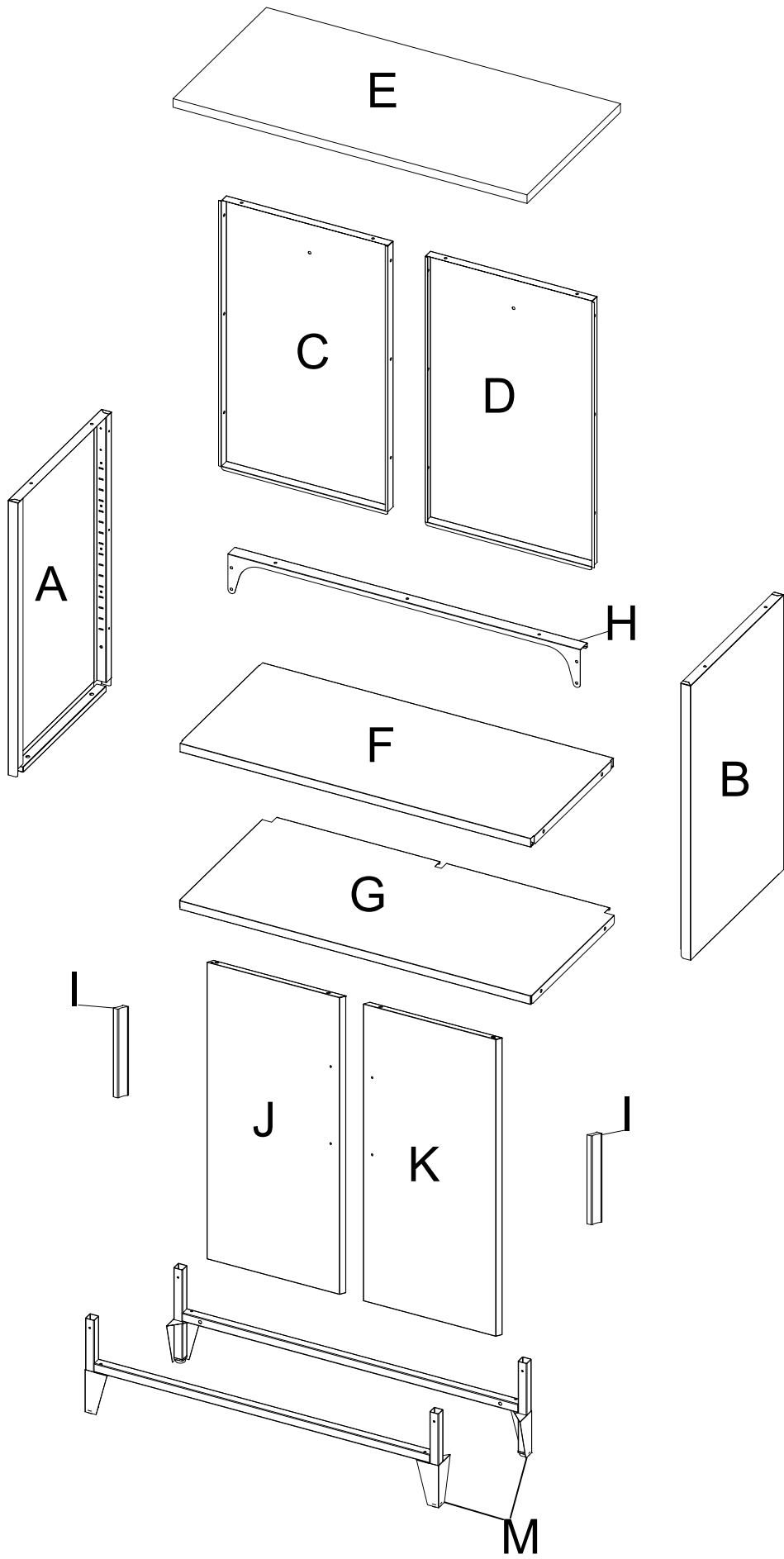
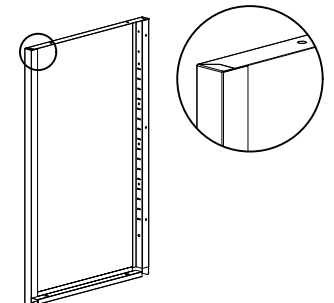
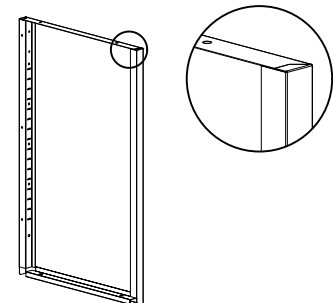
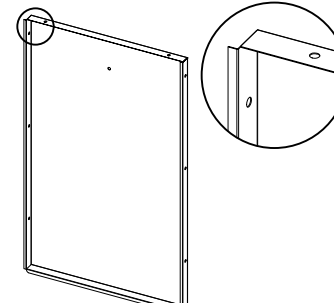
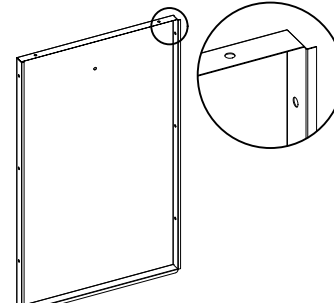
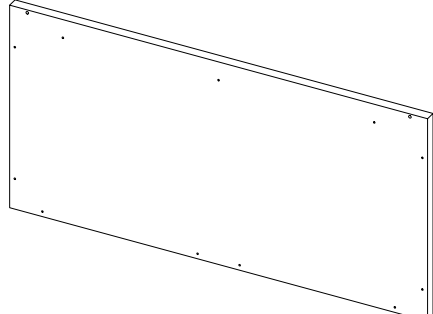
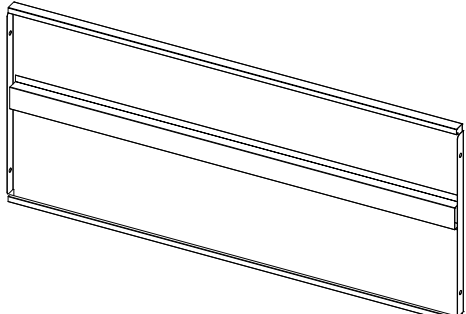
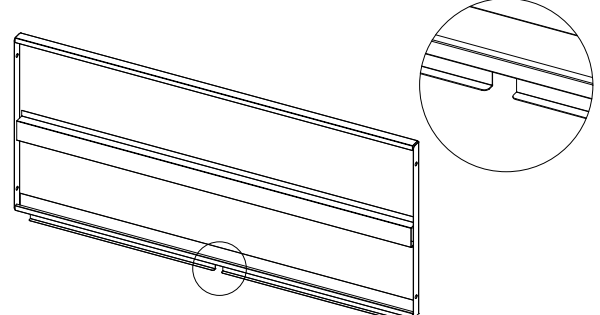
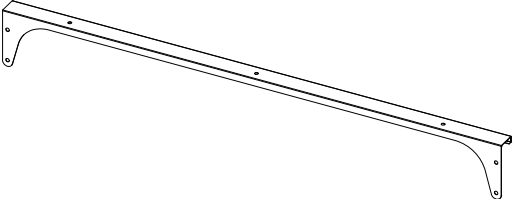
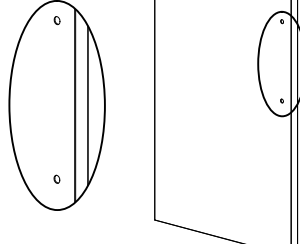
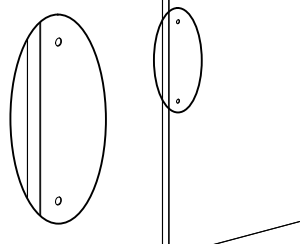
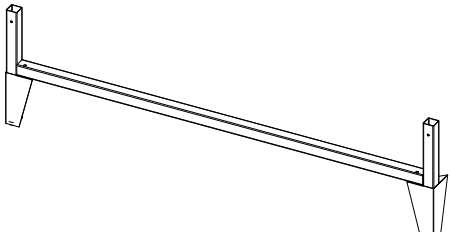
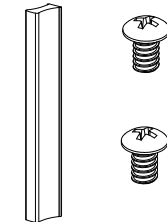
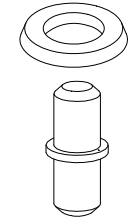
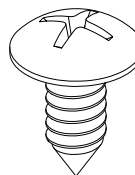
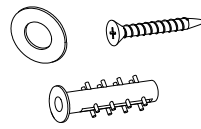
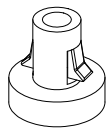
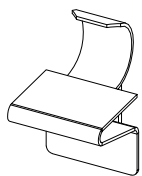
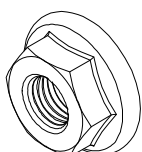
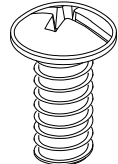

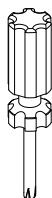


Installation Instructions

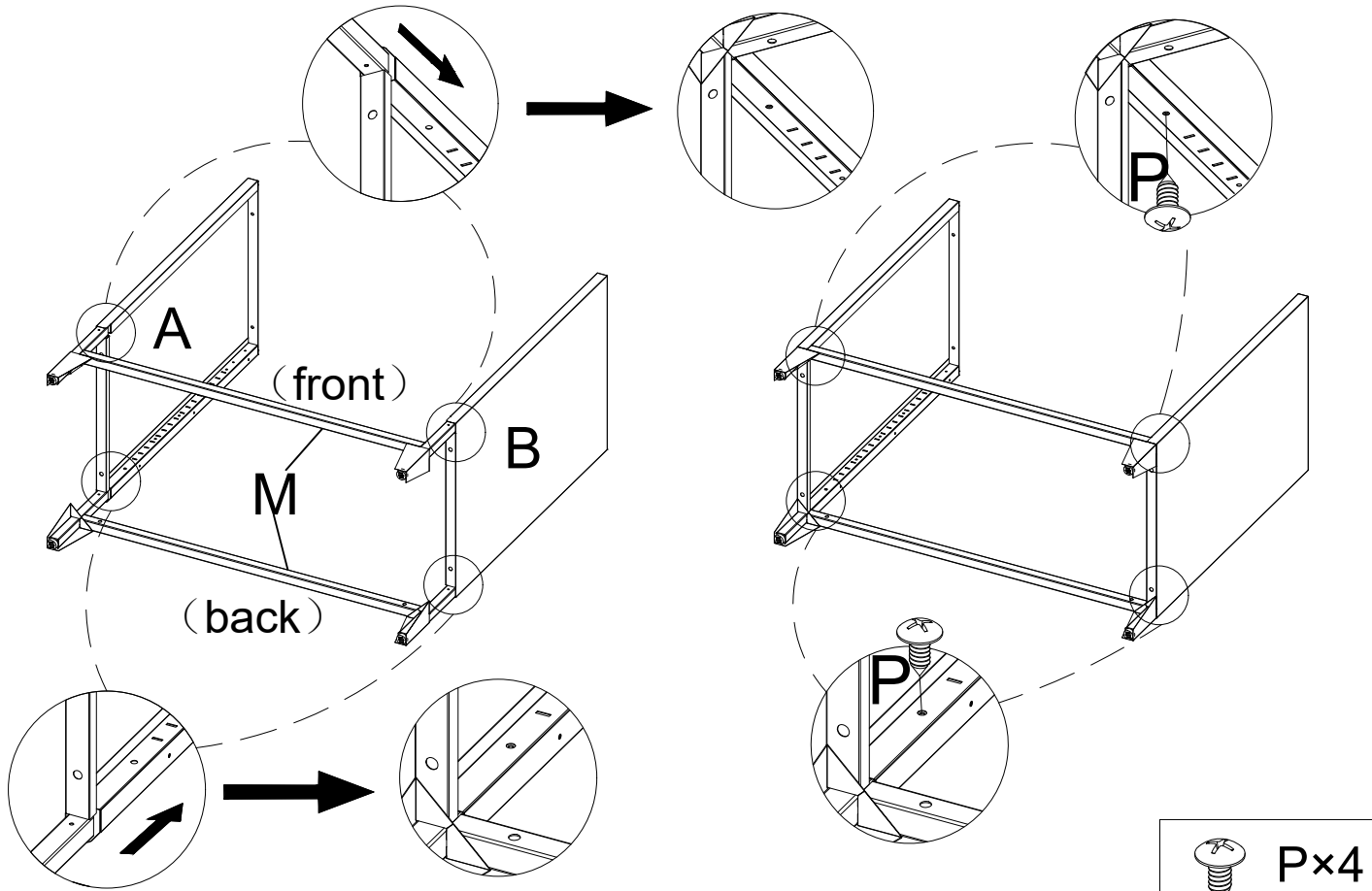




<p>A×1</p> 	<p>B×1</p> 	<p>C×1</p> 	<p>D×1</p> 	
<p>E×1</p> 		<p>F×1</p> 		
<p>G×1</p> 		<p>H×1</p> 		
<p>J×1</p> 	<p>K×1</p> 	<p>M×2</p> 		
<p>I×2</p> 	<p>N×2</p> 	<p>P×14</p> 	<p>Q×2</p> 	<p>R×4</p> 
<p>S×4</p> 	<p>T×3</p> 	<p>U×14</p> 	<p>V×2</p>  <p>Standby Application</p>	

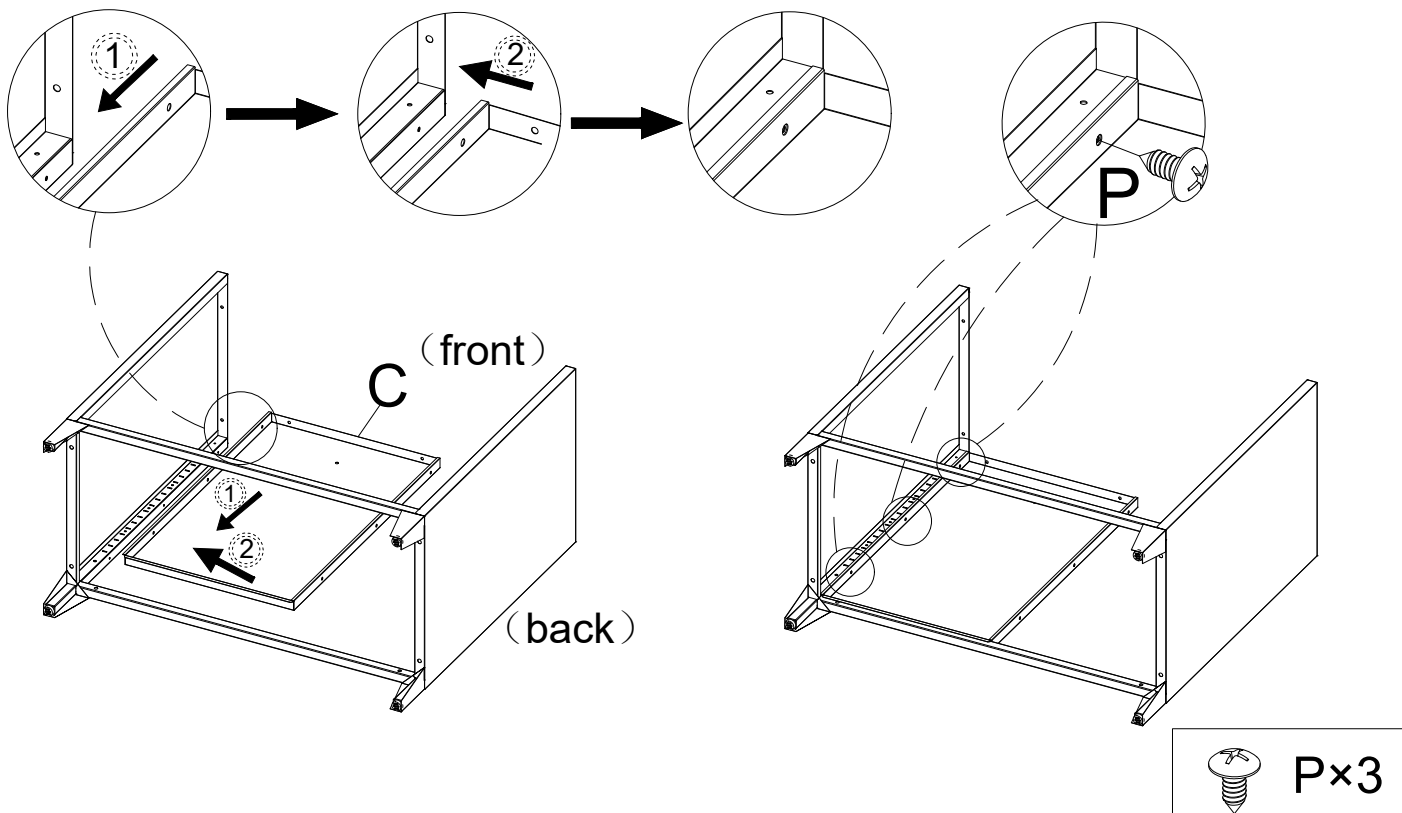
1

Insert the two bottom feet-M into the two side panels and fasten them together by using four P-screws. Note that part A is on the left and part B is on the right.



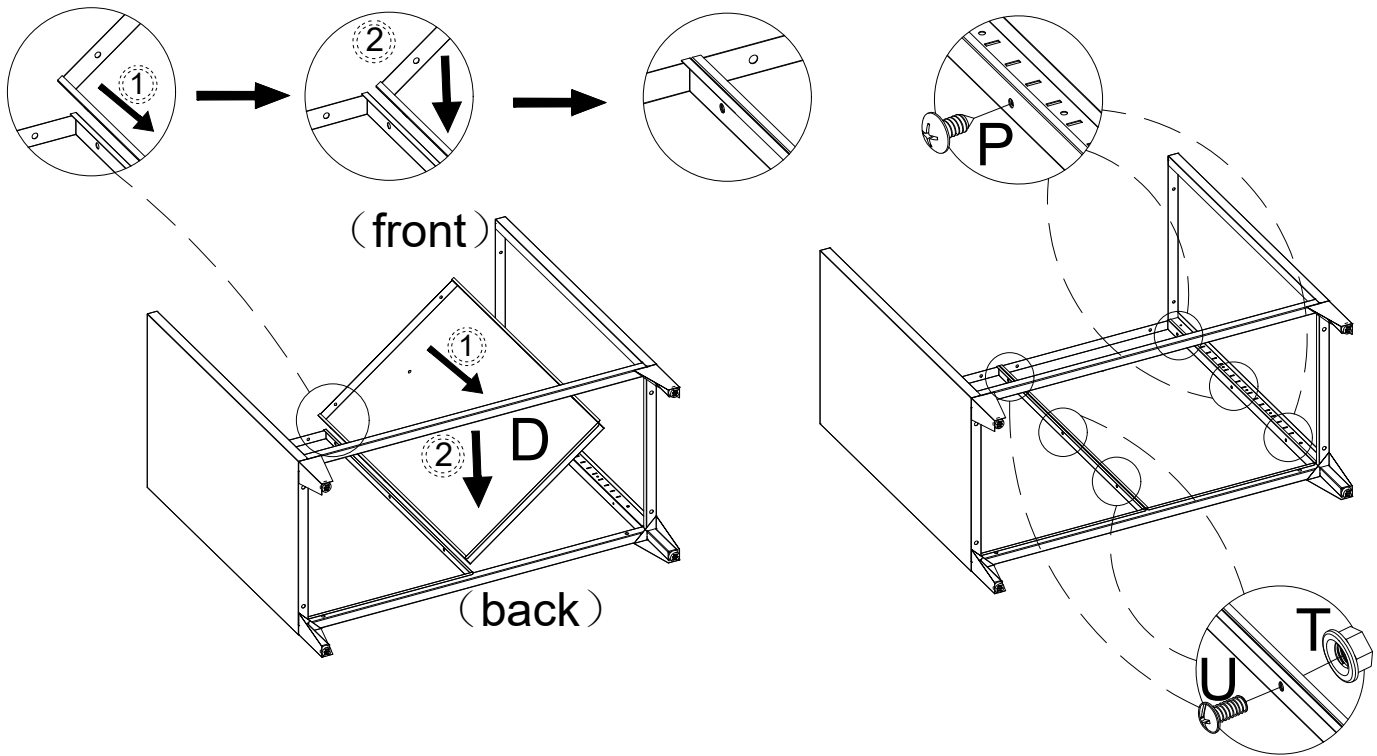
2

Assemble part C to the left side panel A, using the 3 P-screws.



3

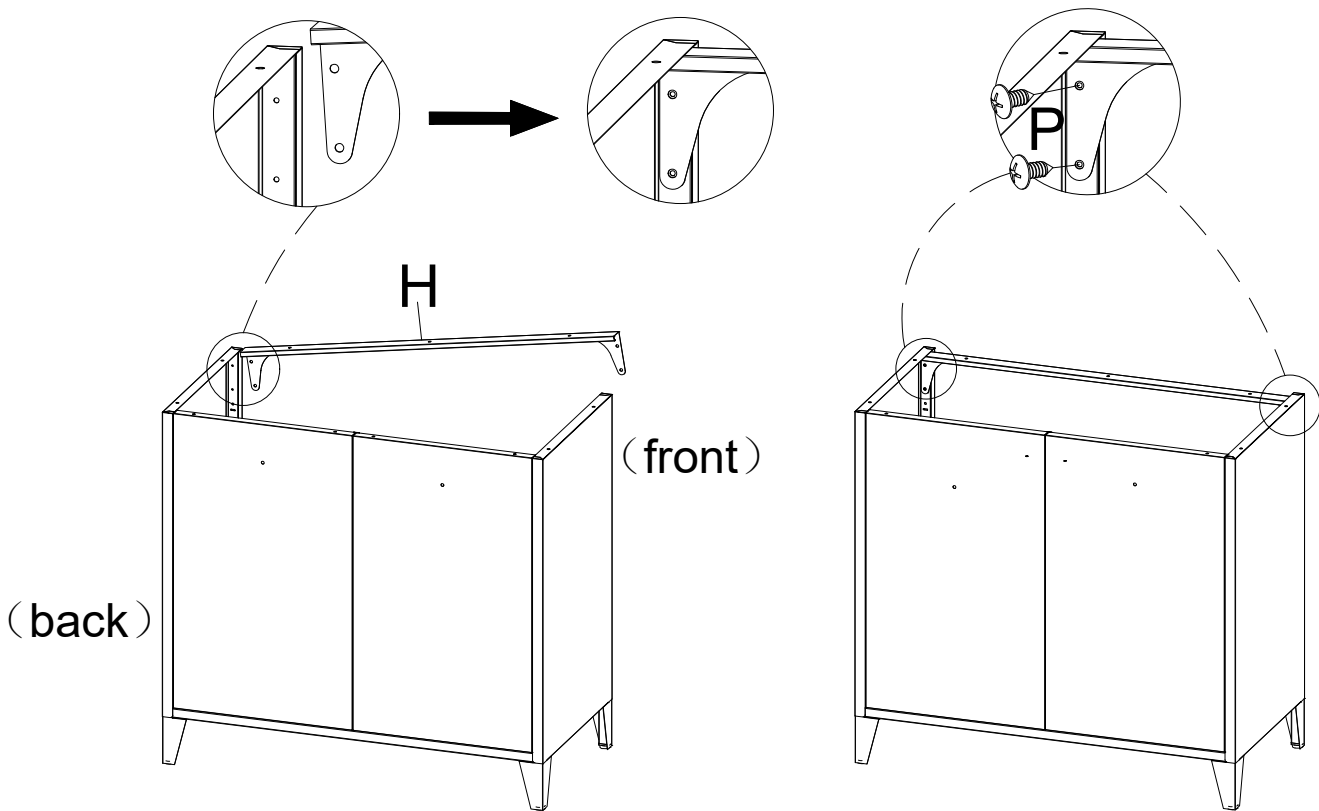
Assemble part D to the right side panel B, using the 3 P-screws. Use 3 sets of T-screws and U-screws to fasten part C and part D together.



 P×3	 T×3	 U×3
---	---	---

4

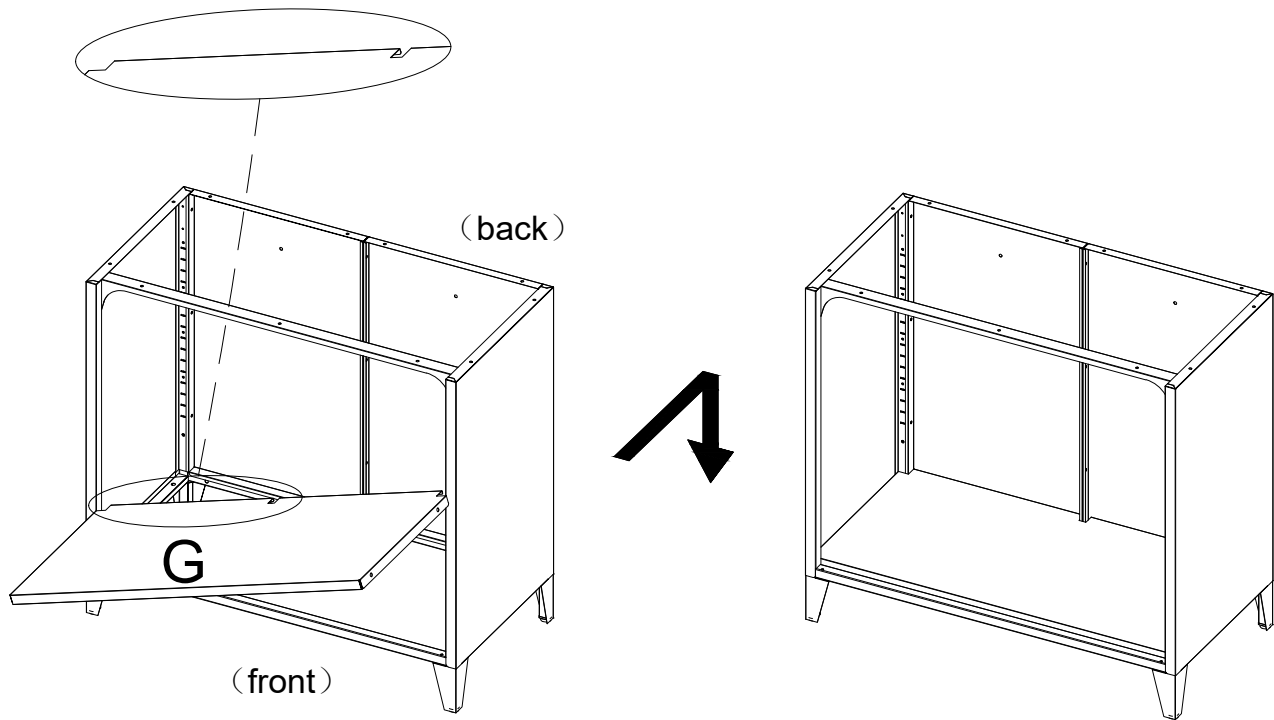
Place part H into the cabinet from the back of the cabinet and secure it with 4 P-screws.



 P×4

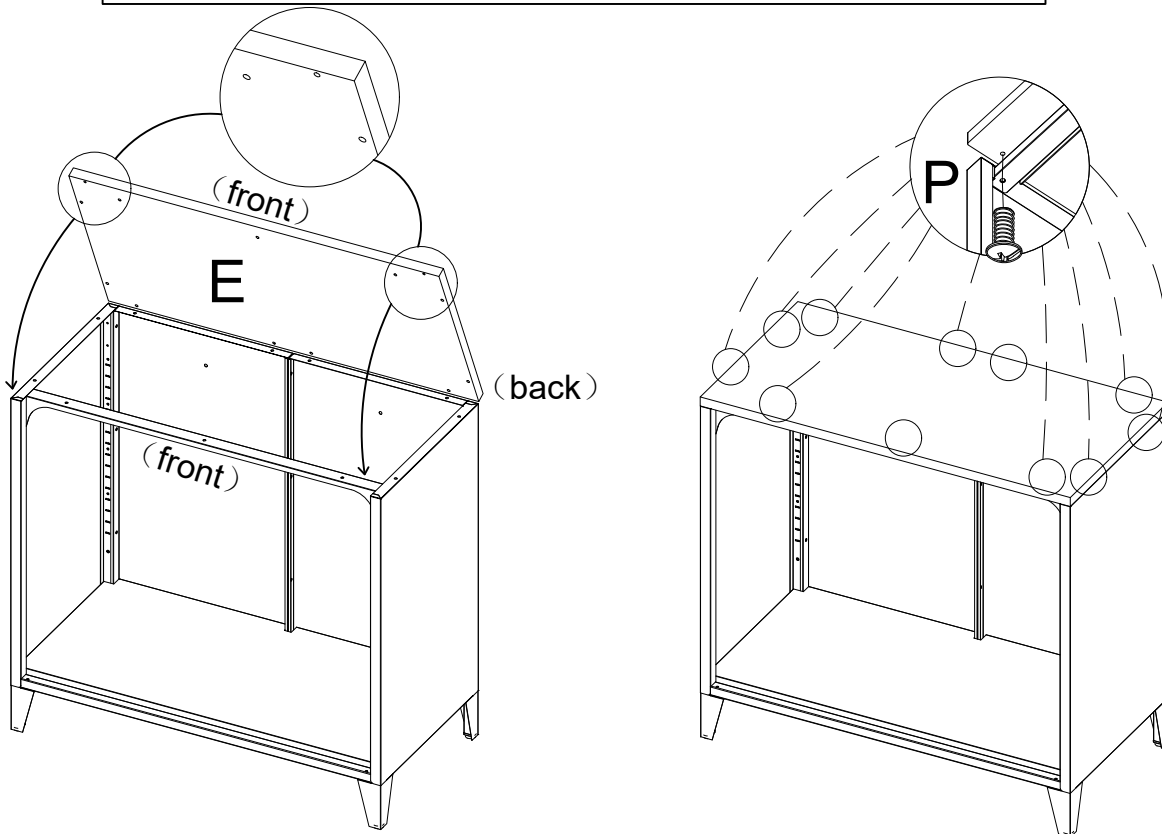
5

Place part G into the bottom of the cabinet, taking care that the notched side faces in.



6

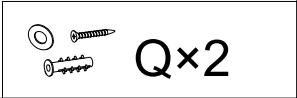
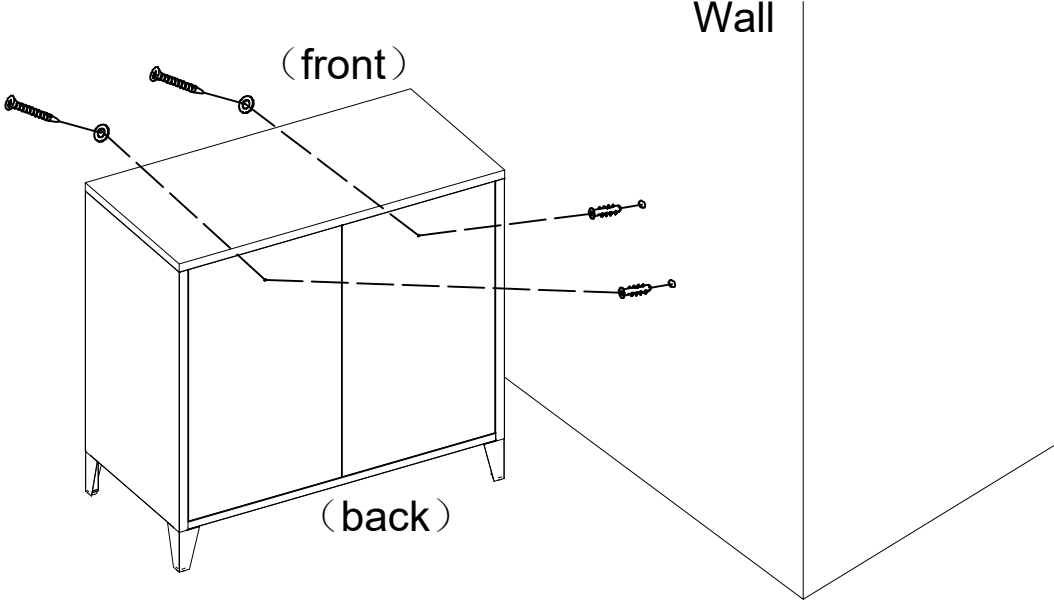
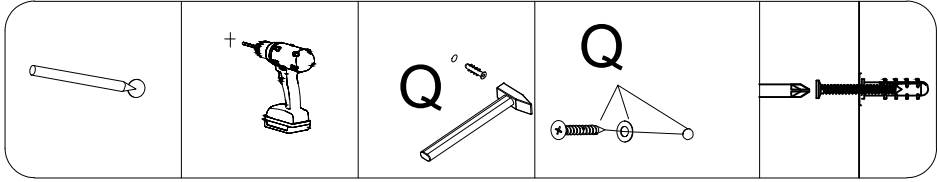
Place part E on top of the cabinet, align the holes, and secure it with 11 U-screws. Pay attention to the direction of the board when installing, the side of part E with more holes faces forward and the side with fewer holes faces back.



U×11

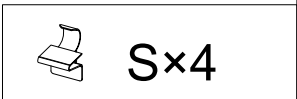
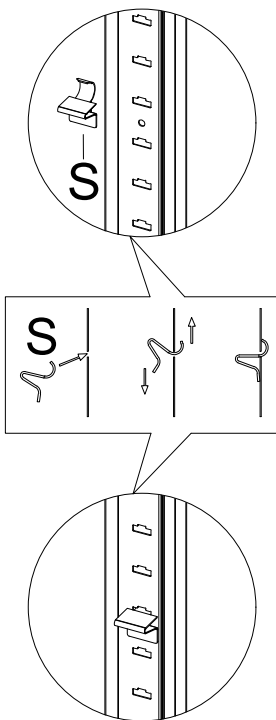
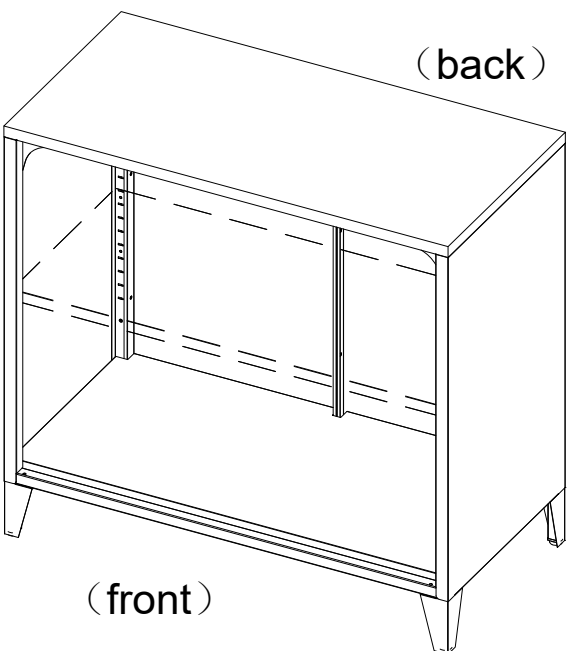
7

The cabinet can be fixed to the wall as needed.



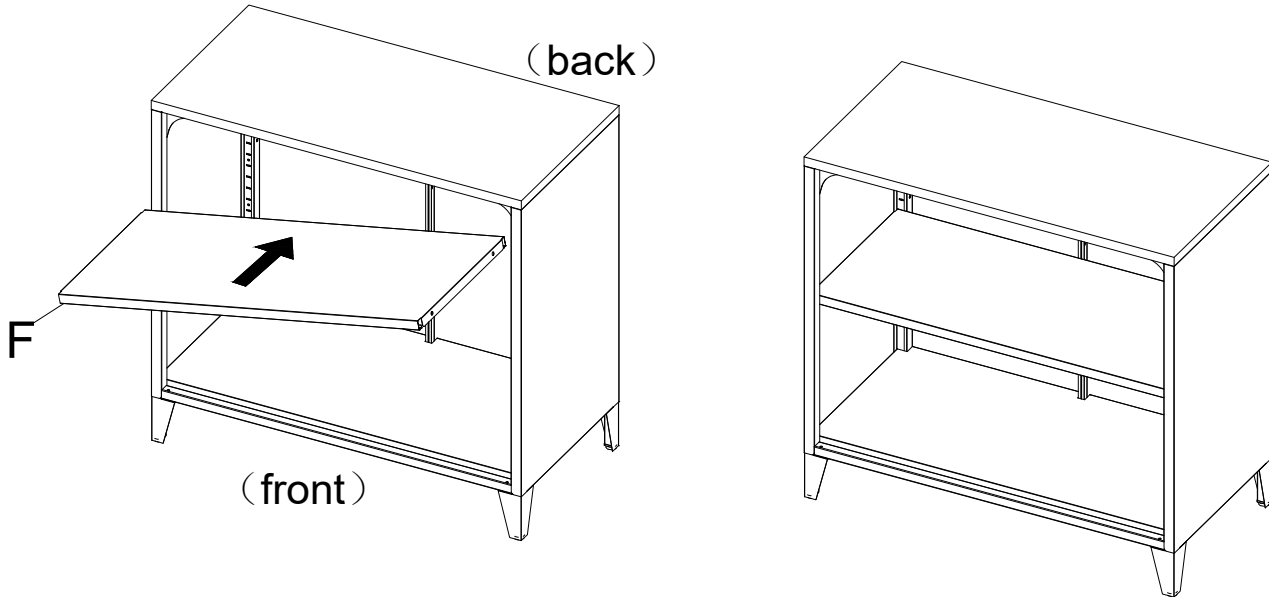
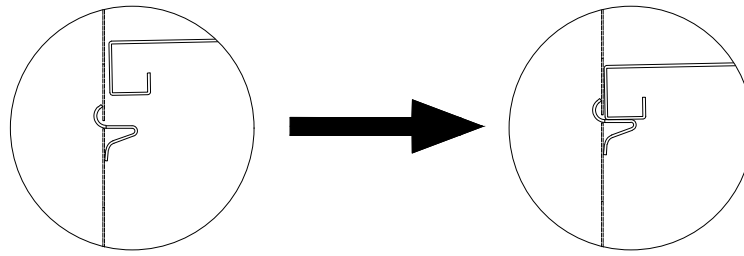
8

Put four support clips S in the four corners of the cabinet, taking care to place them on the same level.



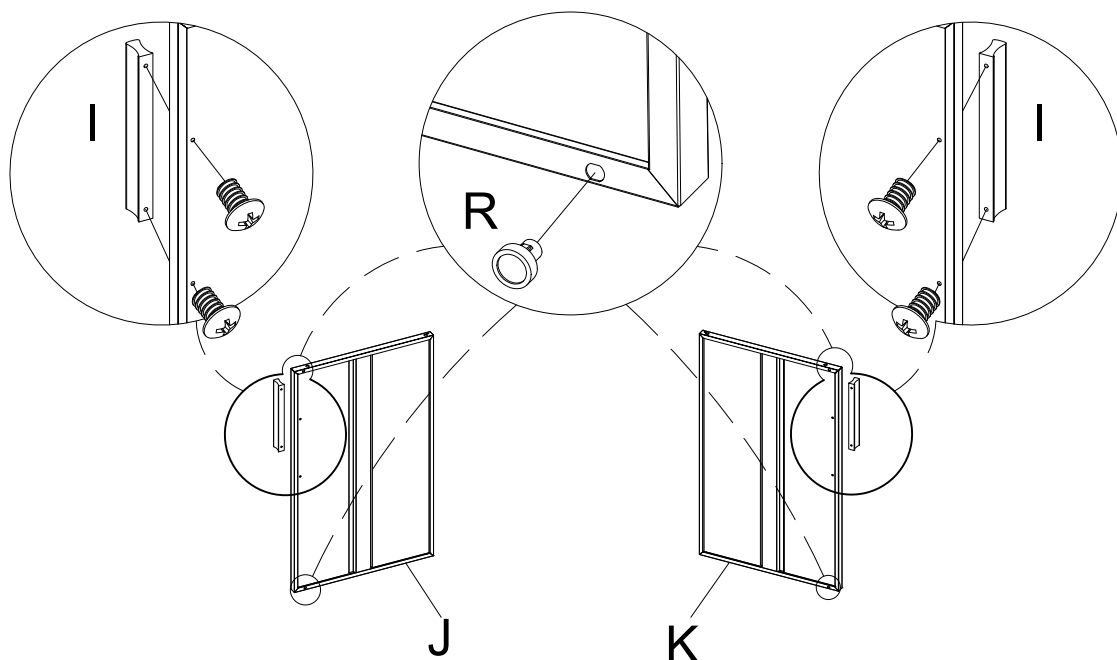
9

Place part F on the support clips.



10

Assemble handle I on the door panel, two O-screws are required for each handle.
Insert the magnet R into the two holes at the top and bottom of the door panel.



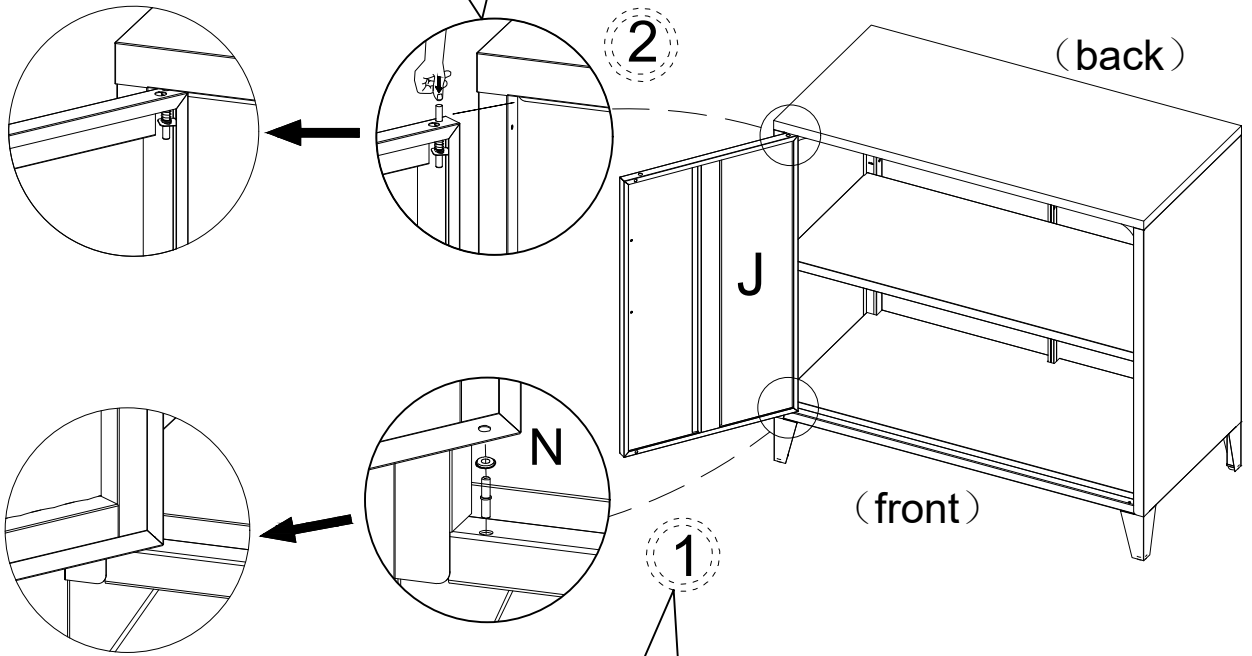
Rx4



Ox4

11

If the spring shaft is missing from the door, you can find the screw V in the hardware package to install it.



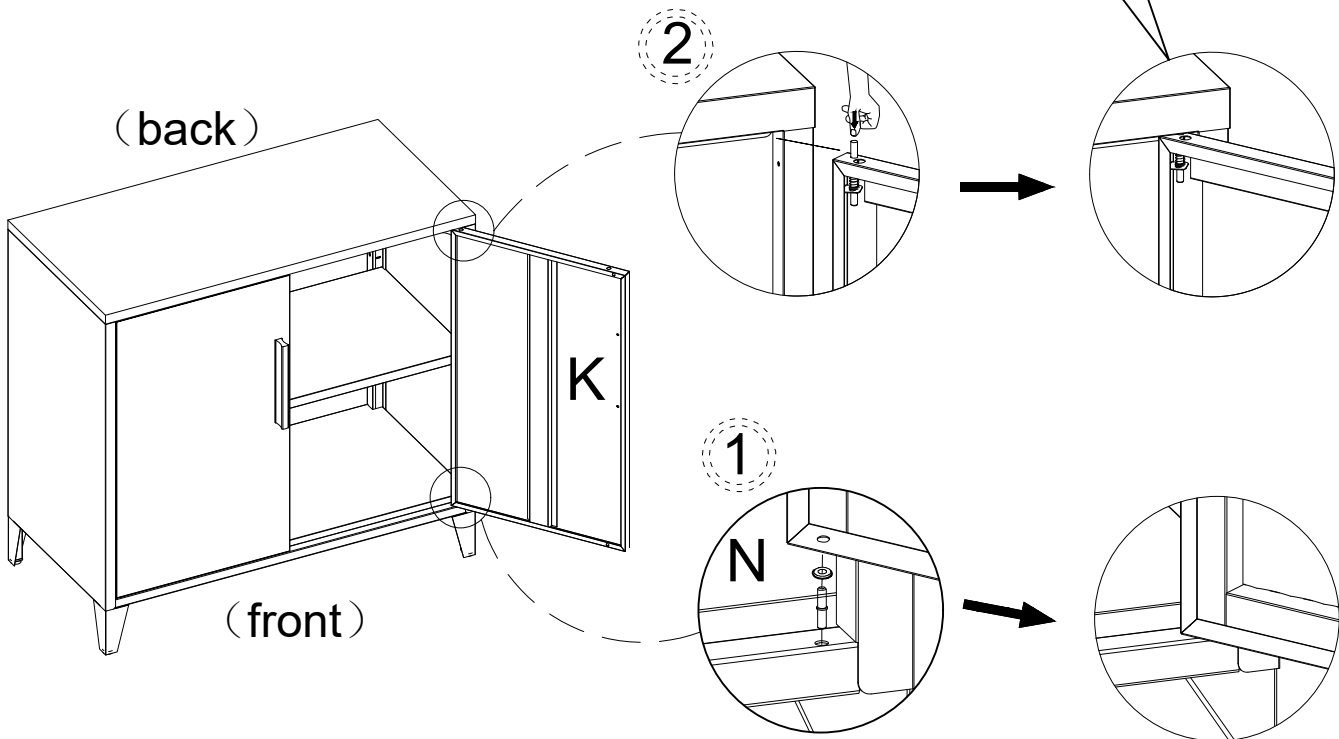
Install the door on one side by first installing the door pin N, then by pressing the spring shaft on the top of the door.



N×1

12

If the spring shaft is missing from the door, you can find the screw V in the hardware package to install it.

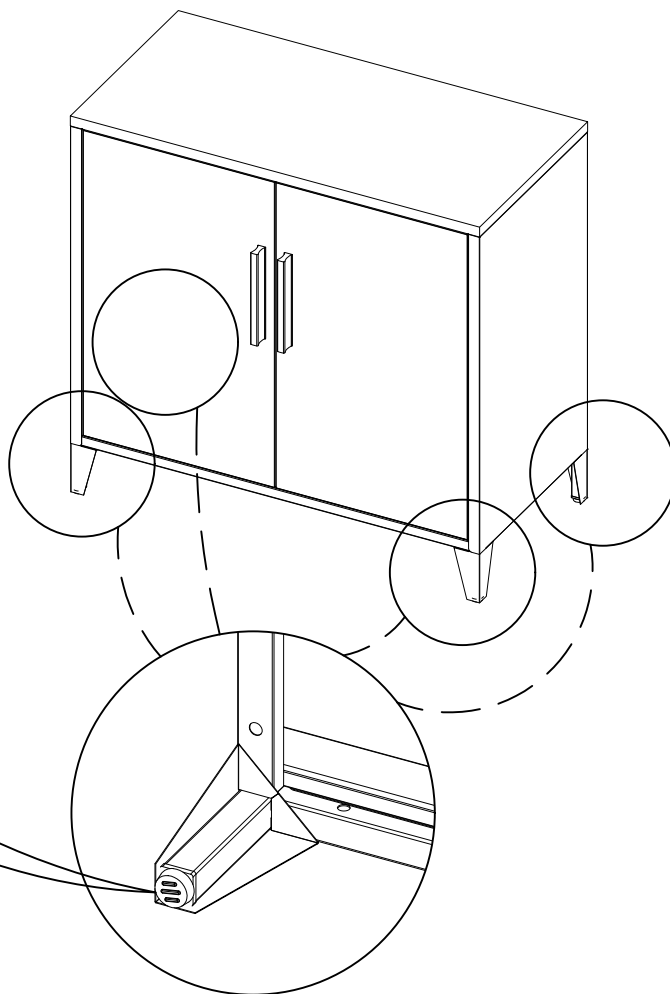


Install the door on one side by first installing the door pin N, then by pressing the spring shaft on the top of the door.



N×1

13



If the ground is uneven, it can be adjusted by rotating the bolt at the bottom of part M.

