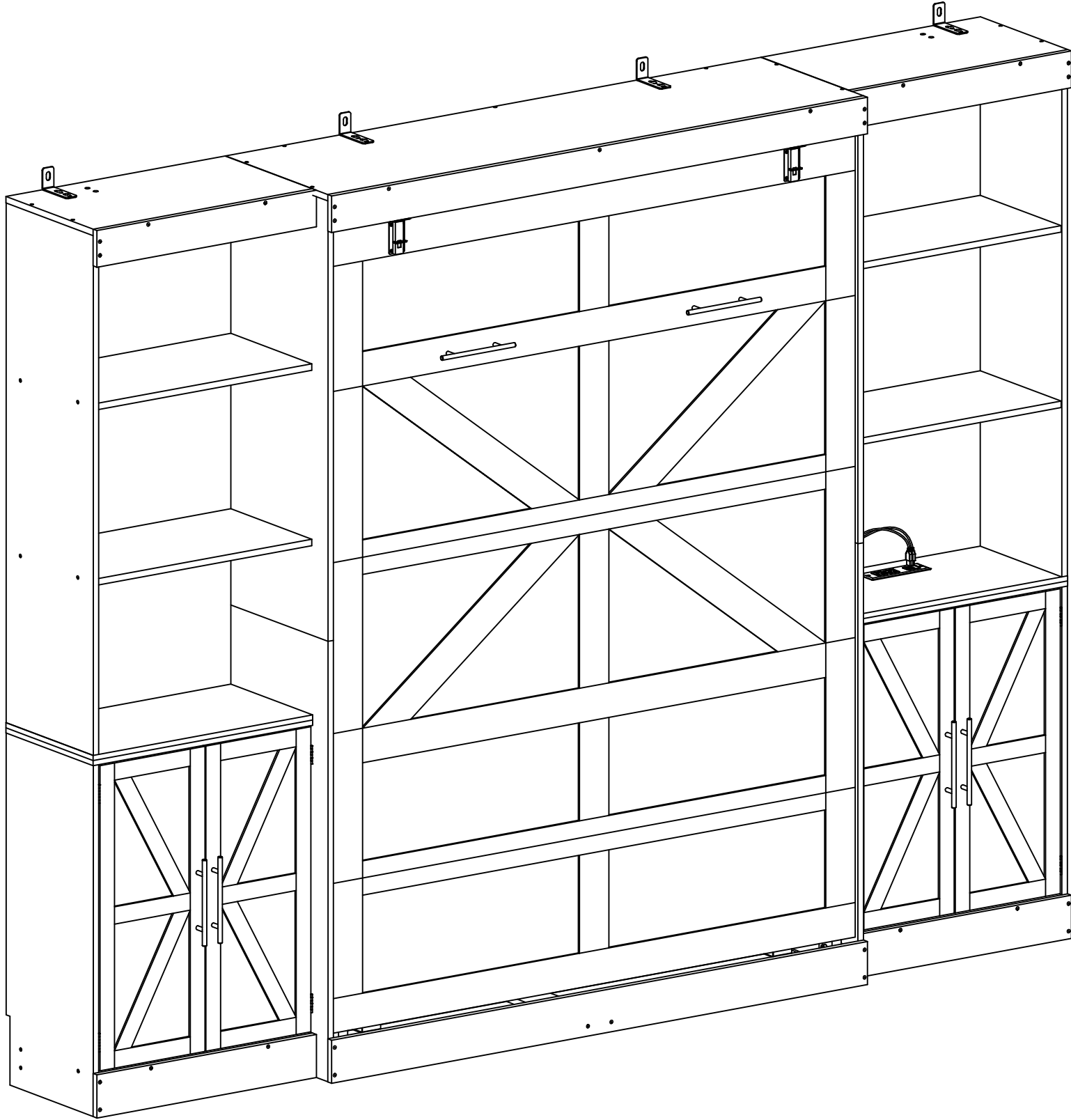


# ASSEMBLY INSTRUCTIONS

## DJ1095-FULL



### ⚠ SAFETY TIPS:

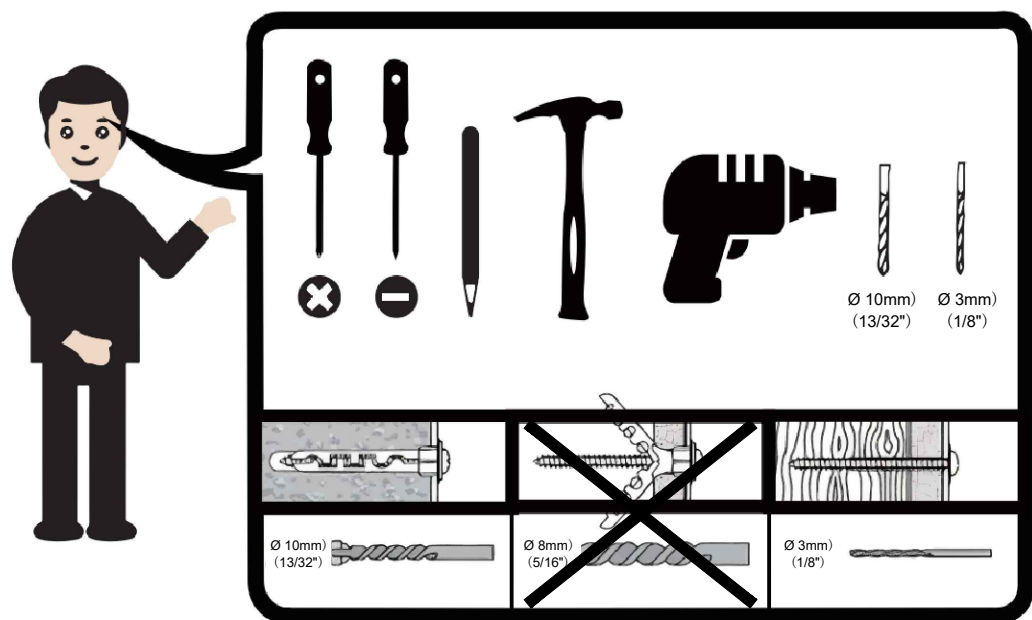
Static charge may cause dust on foam-clean with a dry or damp cloth. Small foam strands may be present-handle gently and dispose of properly. Do not burn or incinerate. Check local recycling guideline.

Have an assembly question or need a replacement part?  
Please contact with our customer service.

# Warnings

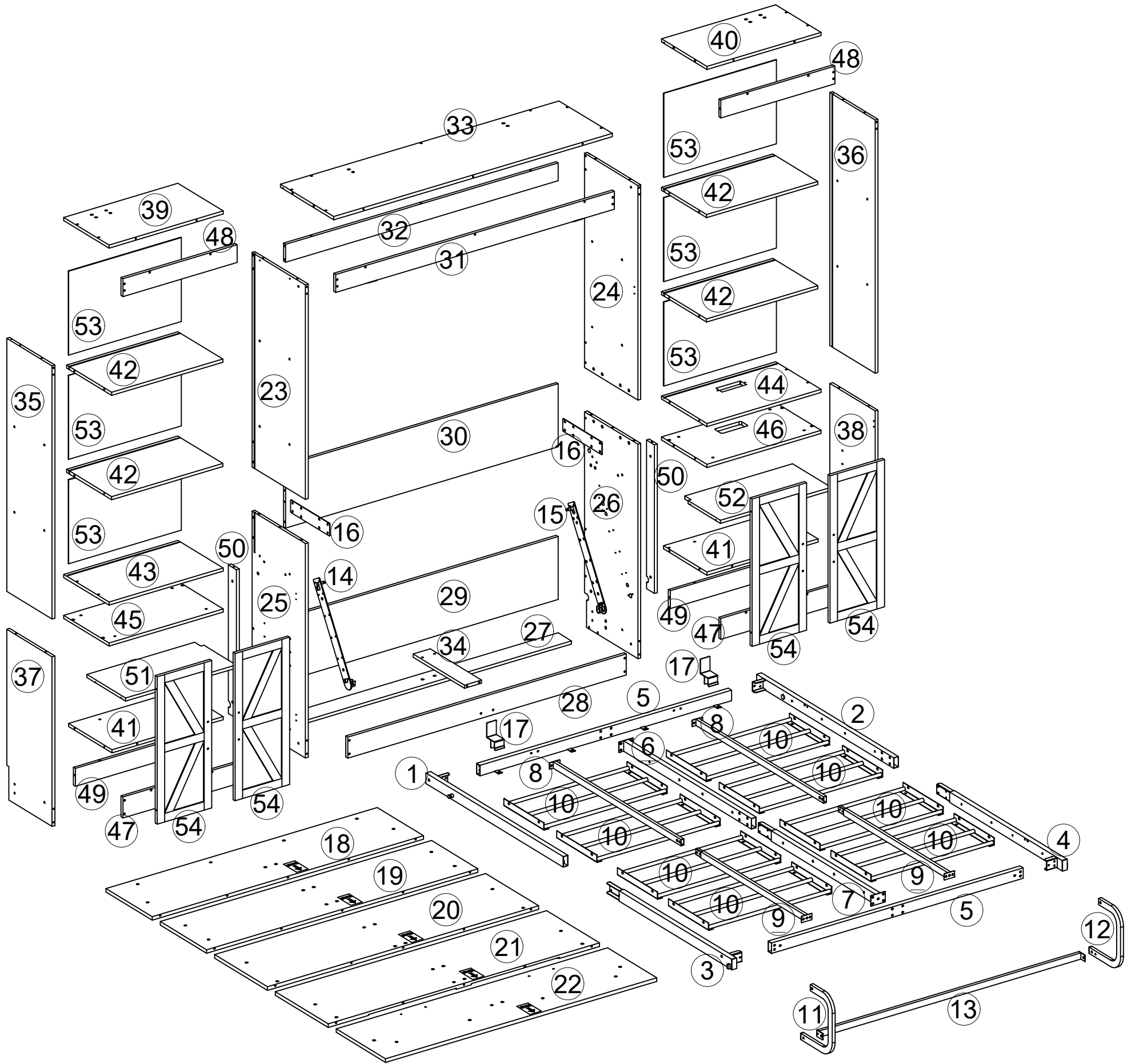
Important reminder:

- ⚠ Please sort and check all accessories before assembly.
  - ⚠ Place the product on an empty cardboard box or on carpet to prevent scratches.
  - ⚠ Please use proper tools for assembly. Using an electric screwdriver can accelerate the assembly speed, but please do not overtighten the screws.
  - ⚠ Please follow the assembly steps and do not skip any of them.
  - ⚠ If possible, please find a partner to help you with assembly, which can accelerate assembly.
  - ⚠ Keep all small parts of this product away from children. They may cause serious injury.
  - ⚠ We hope you can retighten the screws 2 weeks after assembly, and check the tightening procedure of the screws every 3 months.
- If you meet any difficulty, our friendly customer team are always ready to help you.



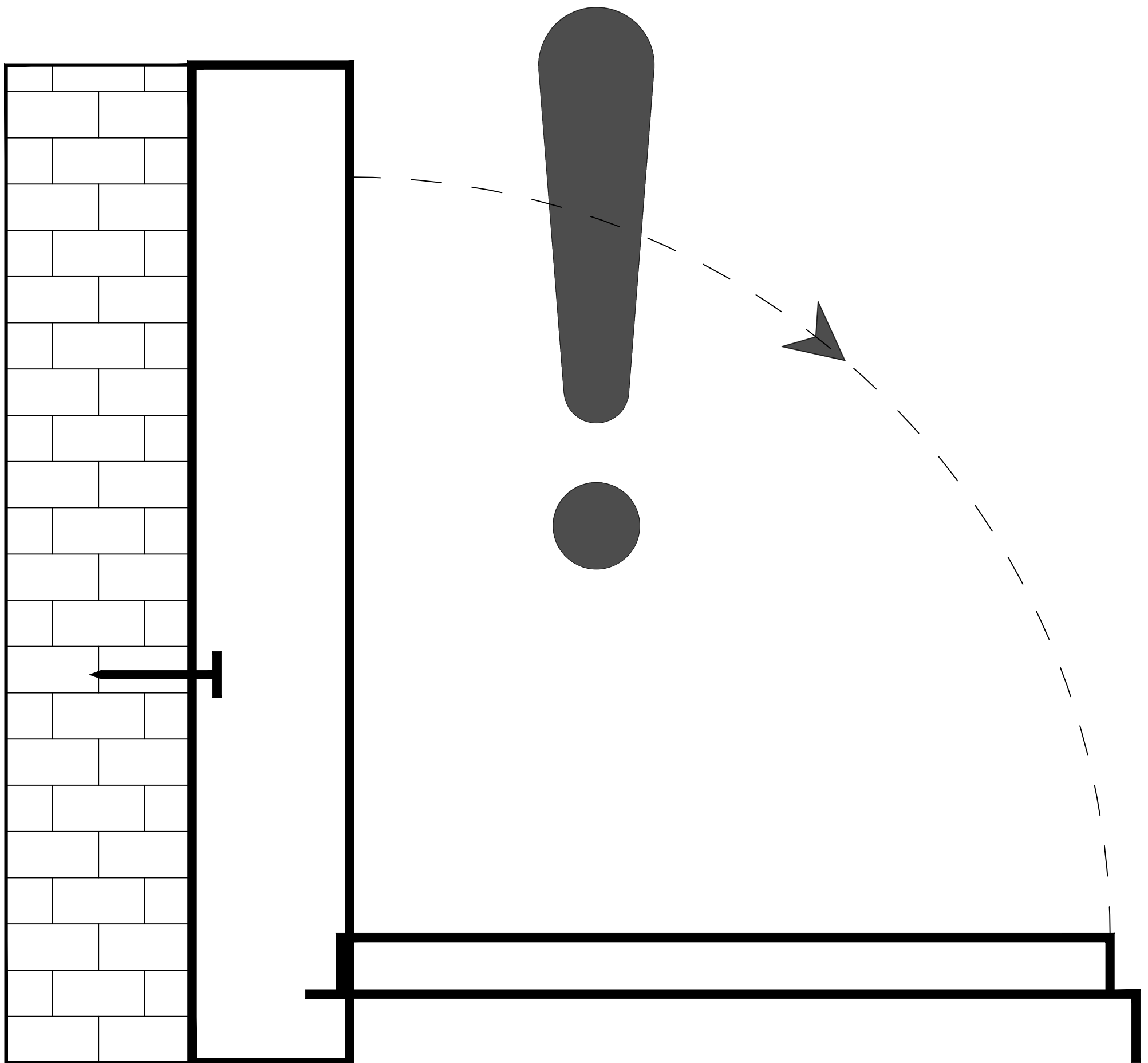
Warning: Overturning the product can cause serious crushing injuries. We have a wall connection device attached, please use it to hold the furniture following assembly instructions. Do not change the structure of this product in any way. Our products have been tested and meet any 1 sales specific security measures. We won't be responsible for any modifications, which may cause significant security risks.

# Explosion Diagram

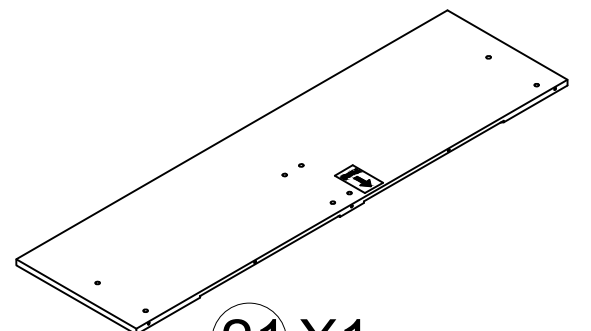
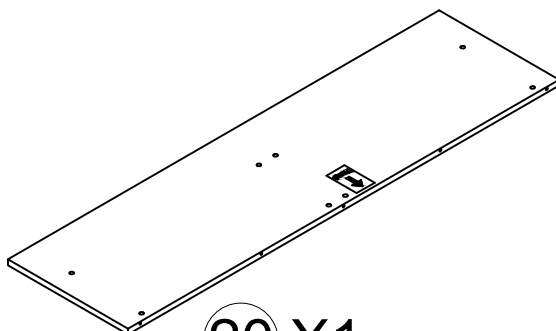
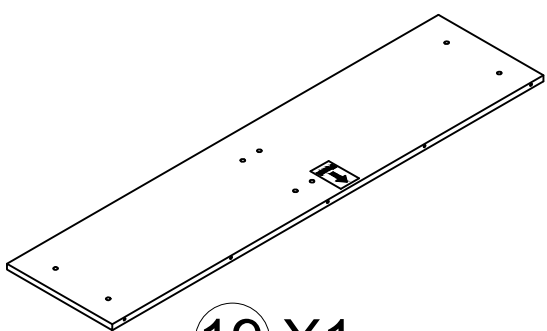
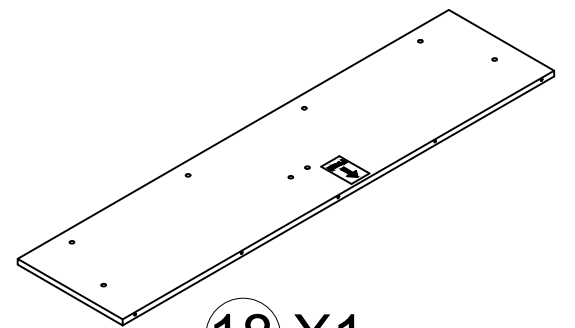
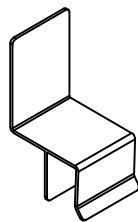
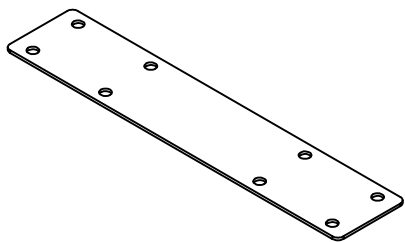
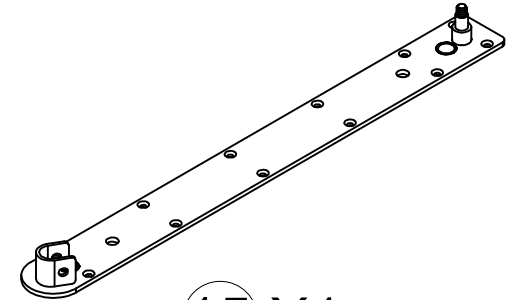
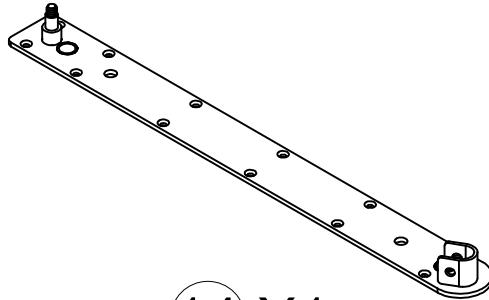
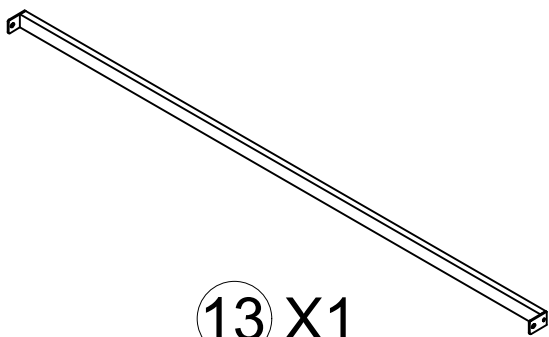
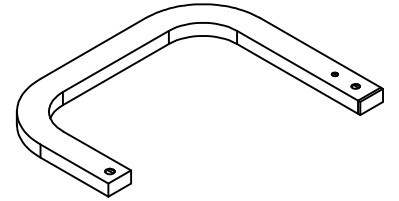
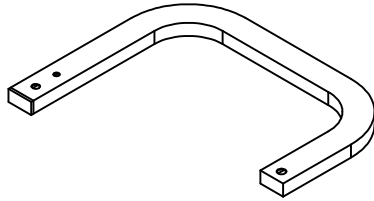
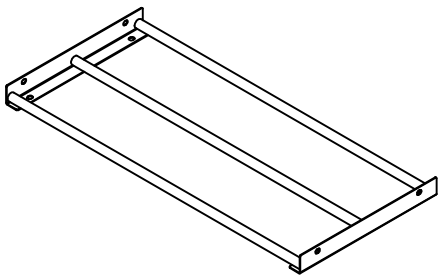
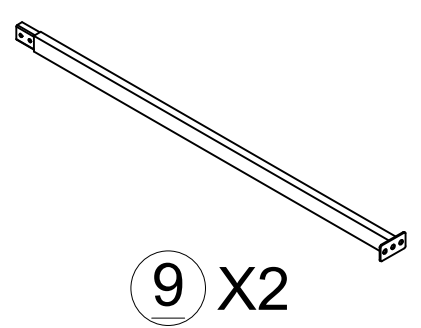
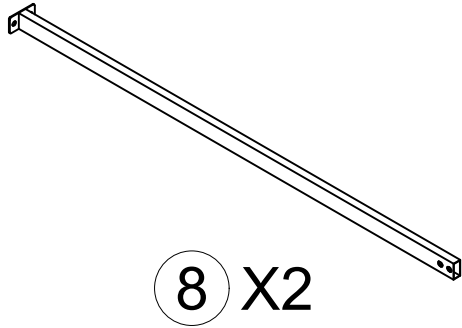
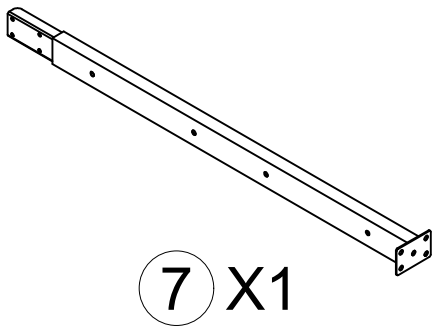
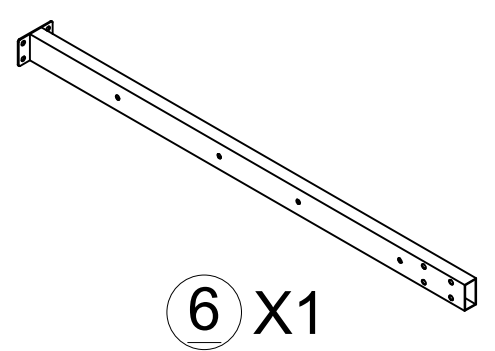
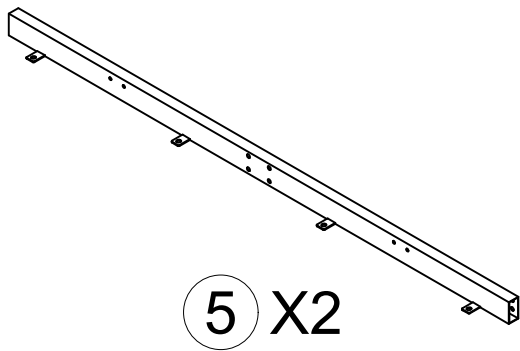
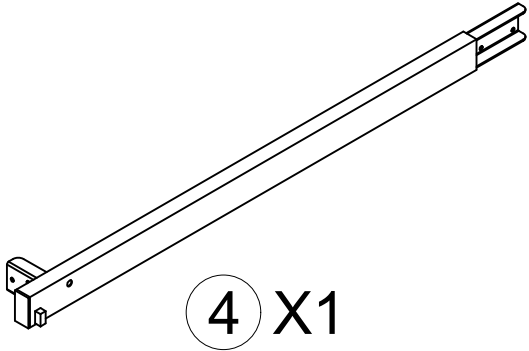
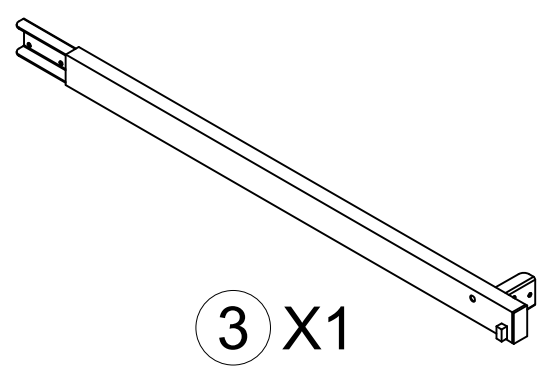
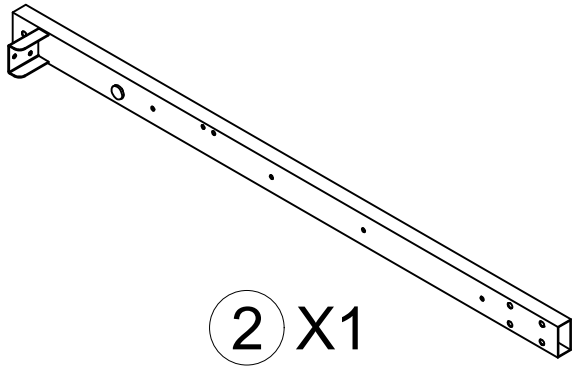
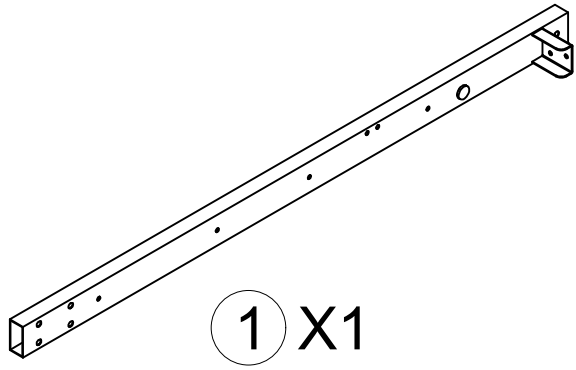


## Installation Precautions

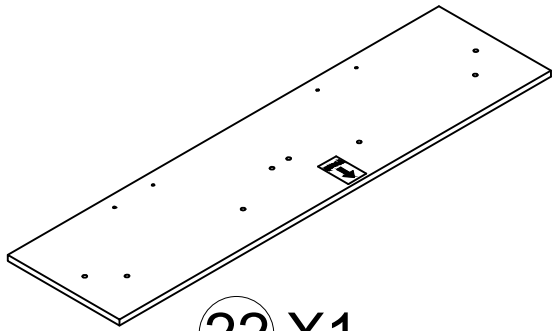
1. Make sure the wall you choose can support the weight of your Murphy bed. Generally speaking, brick or concrete walls are the best choice. If it is a cavity wall, installation is not recommended.
2. Make sure the wall is vertical and flat, and there should be no gaps between the headboard and the wall.
3. Make sure the wall thickness is greater than the screw length.
4. Make sure the bed frame is fully secured to the wall before opening and closing the Murphy bed.



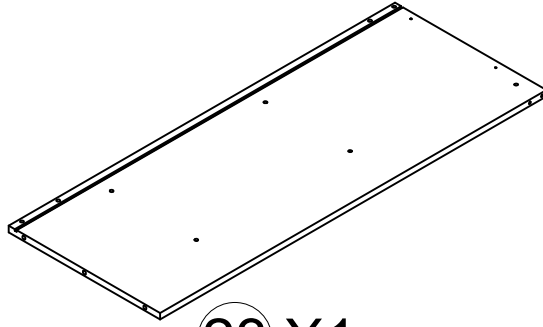
# Parts List



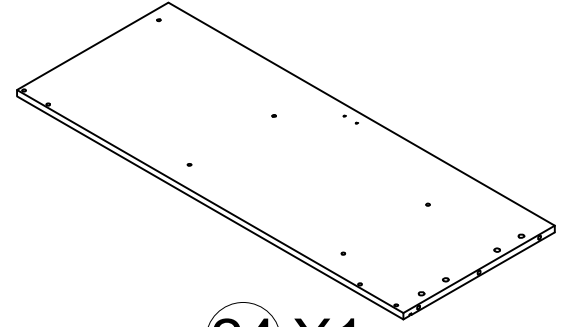
# Parts List



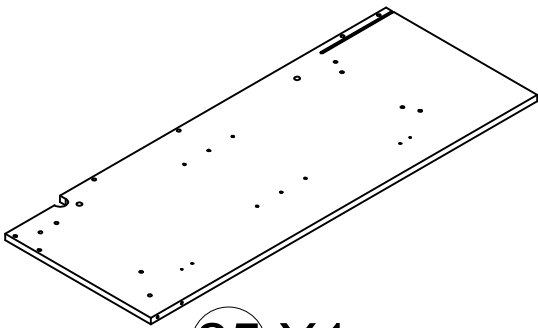
22 X1



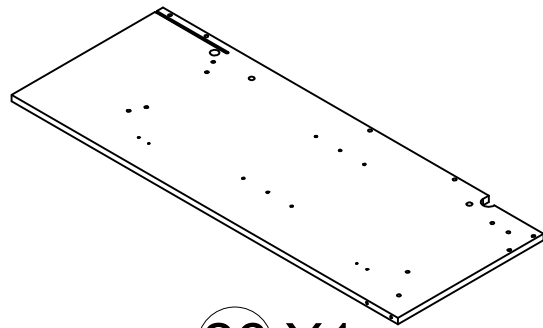
23 X1



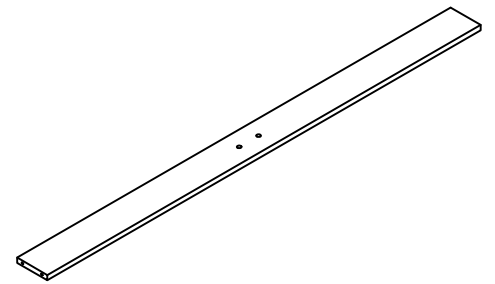
24 X1



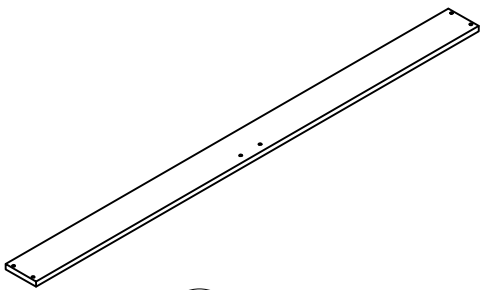
25 X1



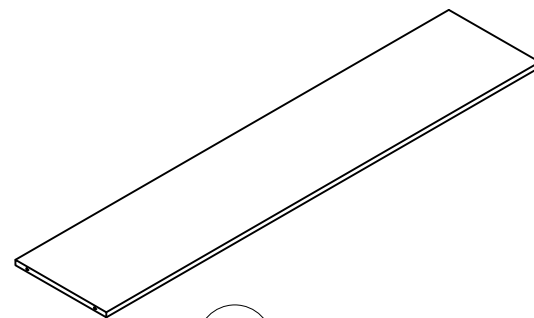
26 X1



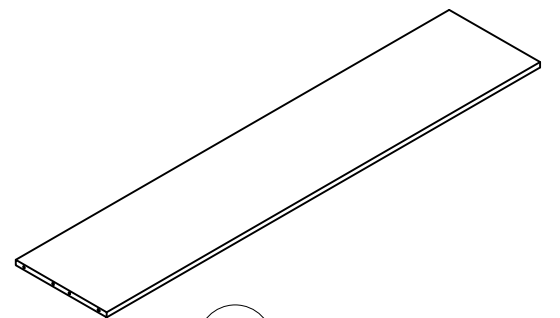
27 X1



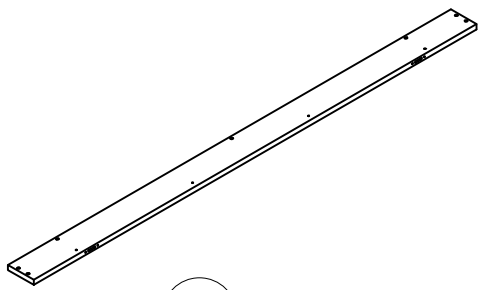
28 X1



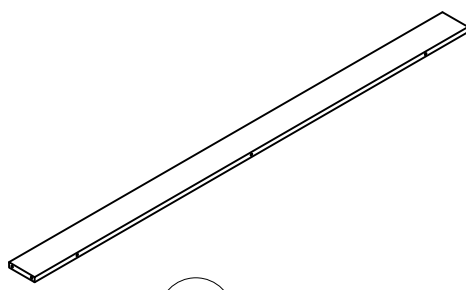
29 X1



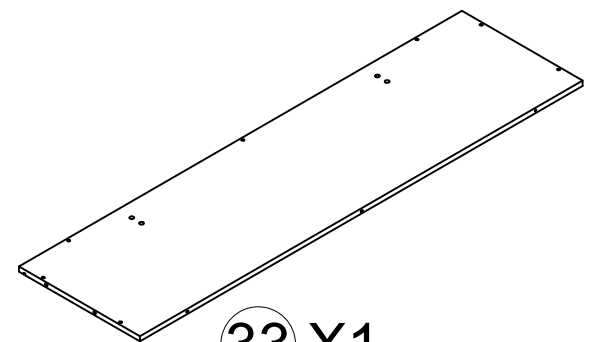
30 X1



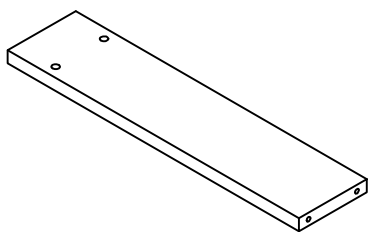
31 X1



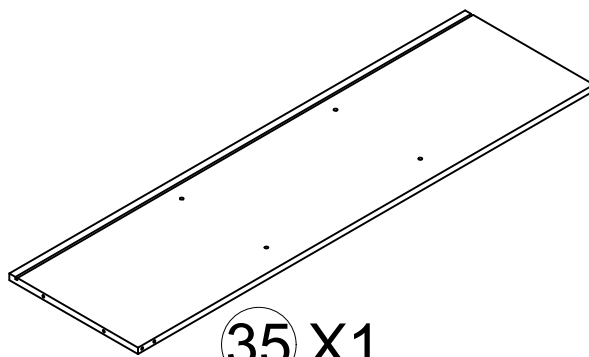
32 X1



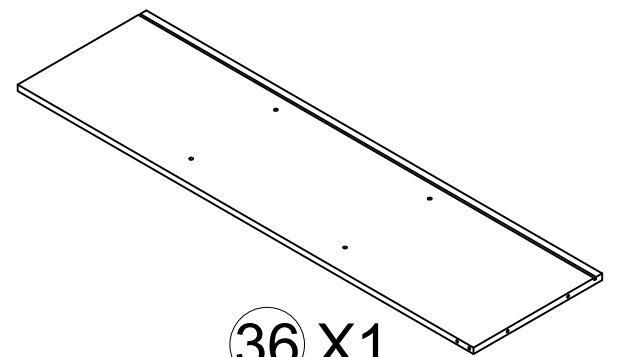
33 X1



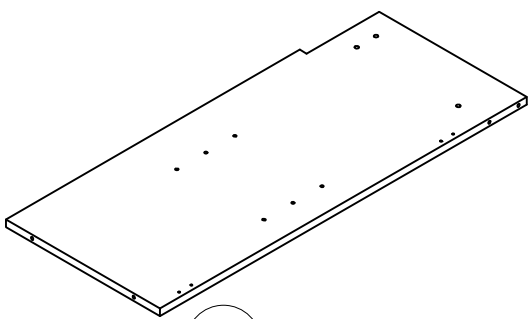
34 X1



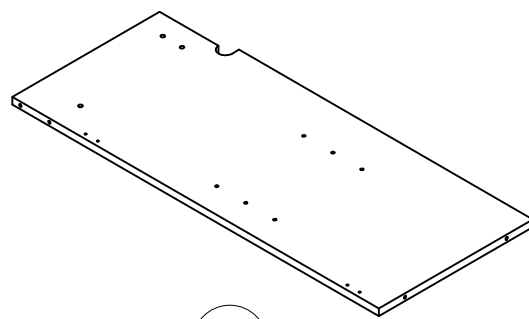
35 X1



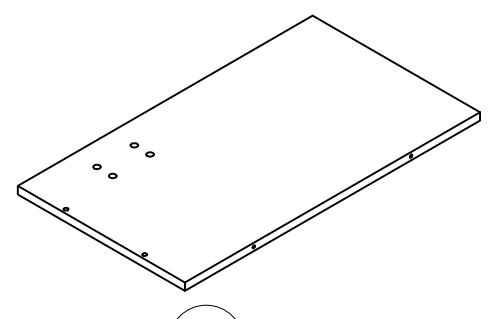
36 X1



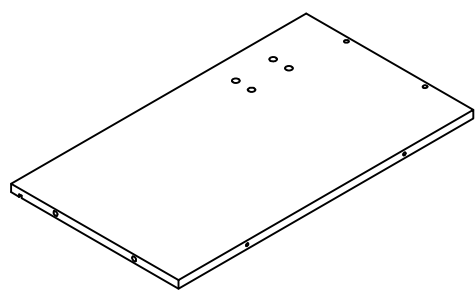
37 X1



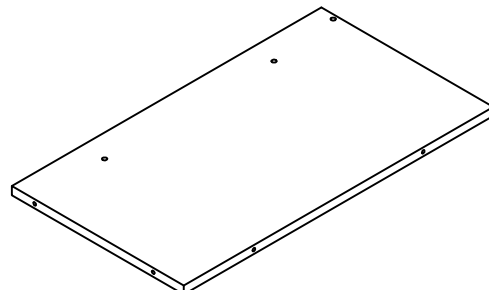
38 X1



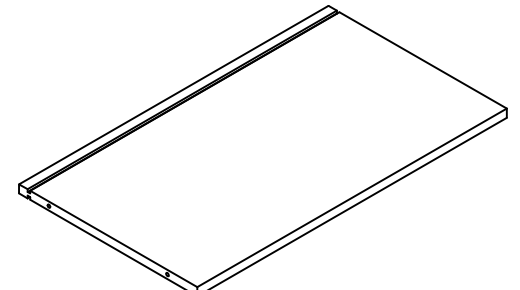
39 X1



40 X1

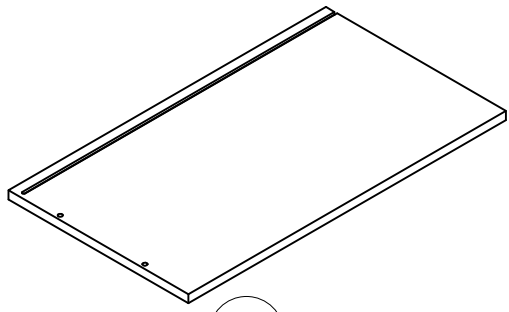


41 X2

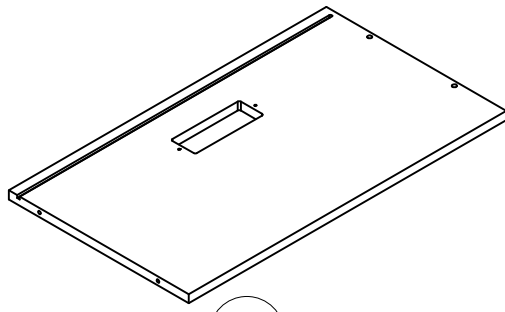


42 X4

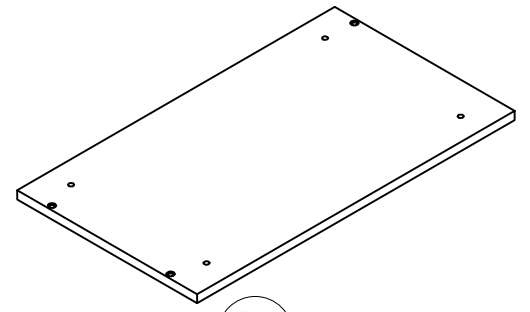
# Parts List



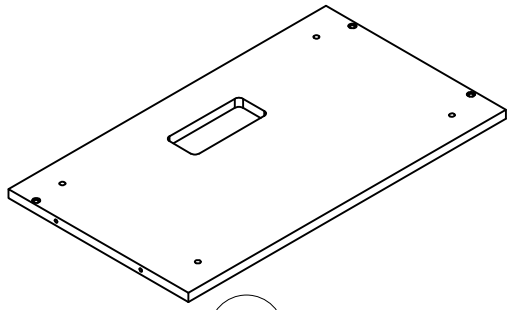
43 X1



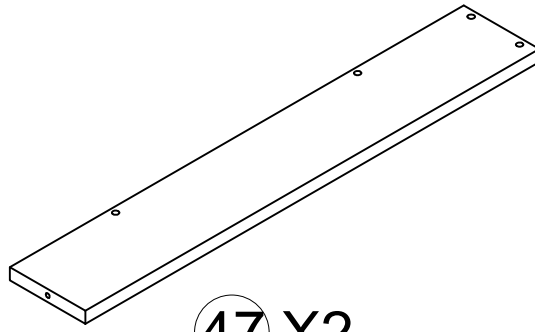
44 X1



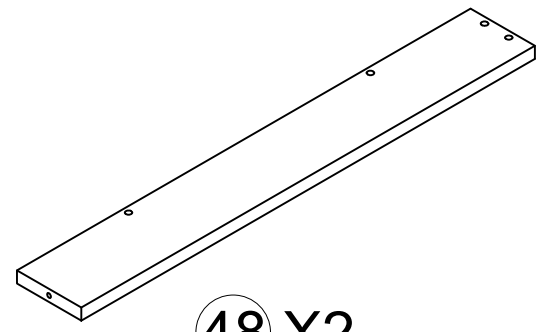
45 X1



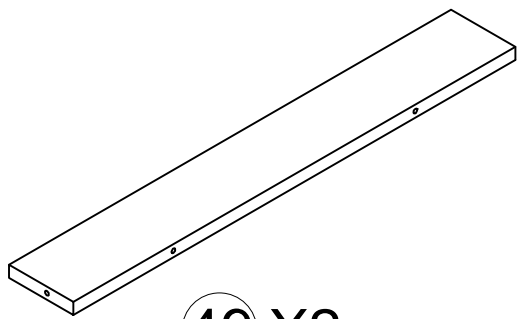
46 X1



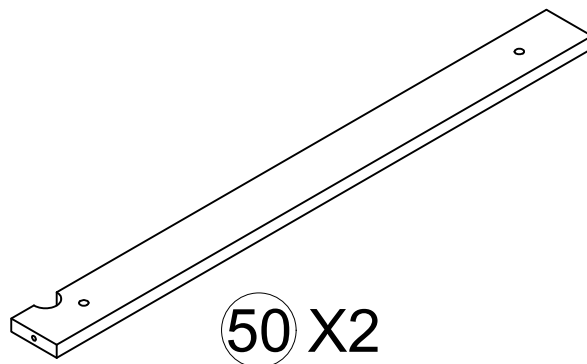
47 X2



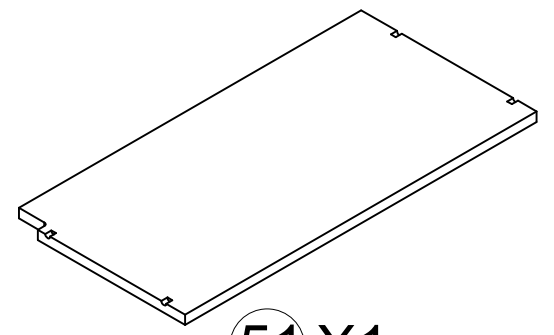
48 X2



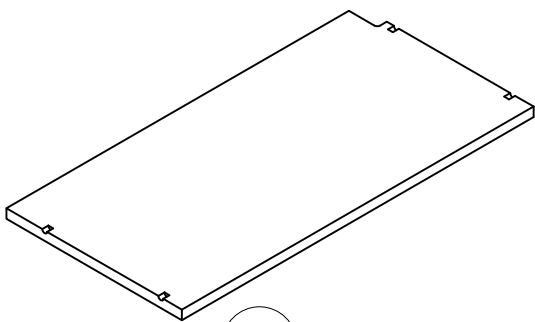
49 X2



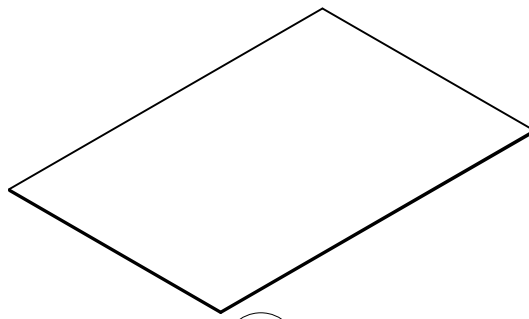
50 X2



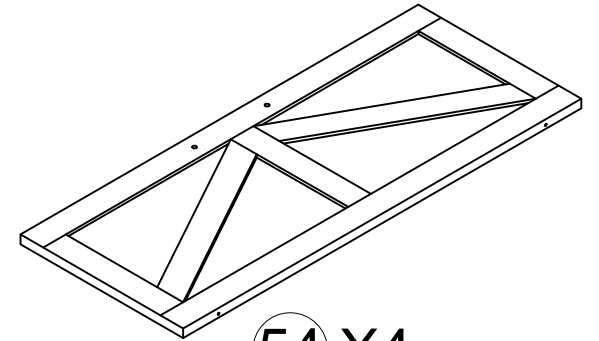
51 X1



52 X1





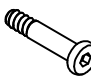
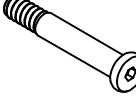

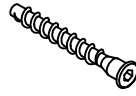









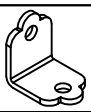
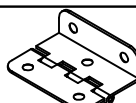


53 X6



54 X4

# Hardware List

No.	Code	Diagram	Description	Quantity	Spare
1	B1		M6 x 10 mm	138	10
2	B2		M6 x 20 mm	8	2
3	B3		M6 x 25 mm	8	2
4	B4		M6 x 35 mm	16	2
5	B5		M6 x 30 mm	2	1
6	B6		M8 x 50 mm	4	1
7	B7		M8 x 15 mm	4	1
8	B8		M6 x 50 mm	116	10
9	B9		ST3.5 x 14 x Ø7 mm	24	2
10	B10		ST3.5 X 12 x Ø6 mm	54	5
11	C1		M6 x 5 mm	18	2
12	C2		M8 x 7.8 mm	6	2
13	C3		Ø16 x 1.5 mm	8	2
14	C4		Ø20 x 1.5 mm	4	1
15	C5		Ø6 x 40 mm	20	2
16	C6		Ø8 x 40 mm	10	2
17	C7		Ø5 x 16 mm	8	2
18	C8		23 x 23 x 18 mm	4	0
19	C9		16 x 31 x 42 mm	8	0

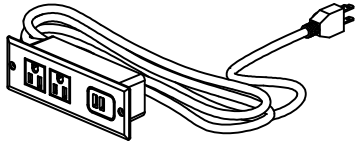
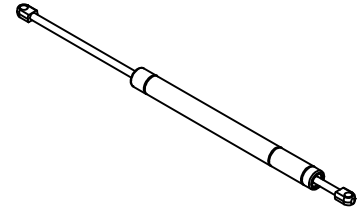

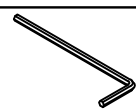
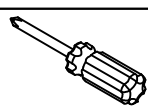
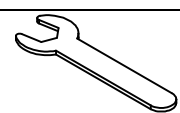
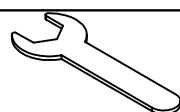
THE SPARE BAG INCLUDED EXTRA HARDWARE FOR DAMAGED OR MISSING SMALL HARDWARE WHILE YOU ARE ASSEMBLING

## Hardware List

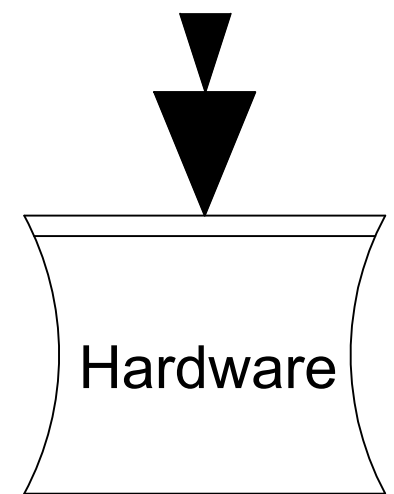
No.	Code	Diagram	Description	Quantity	Spare
19	K	K1 	74 x 22 x 16 mm	2	0
		K2 	ST3 x 14 x Ø5.5 mm	4	1
20	N	N1 	50 x 10 x 20 mm	2	0
		N2 	ST3.5 x 30 x Ø7 mm	4	1
21	O	O1 	42 x 88 x 20 mm	2	0
		O2 	ST3.5 x 12 x Ø6 mm	8	2
22	Q	Q1 	150 x 125 x 45 mm	2	0
		Q2 	ST3.5 x 40 x Ø7 mm	6	2
23	R	R1 	200 x 30 x 9 mm	6	0
		R2 	M4 x 22 mm	12	2
24	T	T1 	100 x 36 mm	2	0
		T2 	2000 x 36 mm	2	0
25	U	U1 	M8 x 100 mm	10	0
		U2 	95 x 50 x 30 mm	10	0
26	LED	LED1 	10 x 1350 mm	2	0
		LED2 	/	2	0
		LED3 	/	8	2
		LED4 	ST3 x 12 x Ø6 mm	8	2
		LED5 	/	6	4

THE SPARE BAG INCLUDED EXTRA HARDWARE FOR DAMAGED OR MISSING SMALL HARDWARE WHILE YOU ARE ASSEMBLING

# Hardware List

No.	Code	Diagram	Description	Quantity	Spare
27	PC		162 x 55 x 41 mm (2AC+2USB)	1	0
28	S		Ø28 x 635 mm (1200N)	2	0
29	V		S4 (58 x 21 mm)	1	1
30	W		S4 (100 x 40 mm)	1	0
31	X		/	1	0
32	Y		10#	1	0
33	Z		13#	1	0

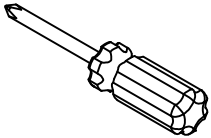
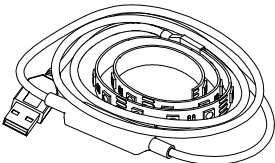

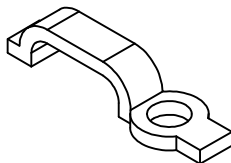
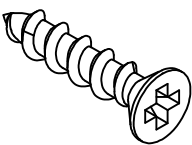
Spare parts are packed together in one package.

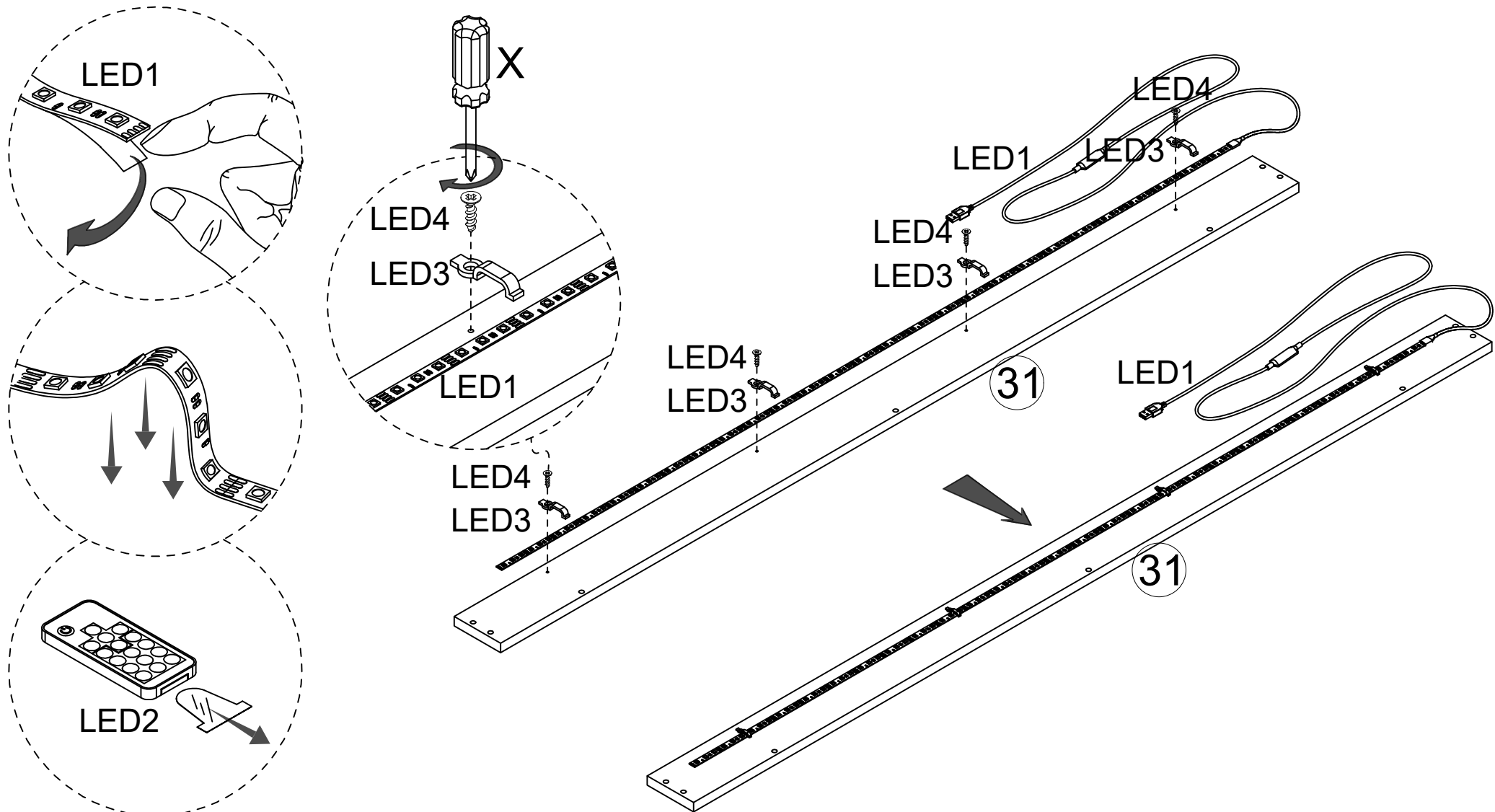


THE SPARE BAG INCLUDED EXTRA HARDWARE FOR DAMAGED OR MISSING SMALL HARDWARE WHILE YOU ARE ASSEMBLING

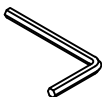
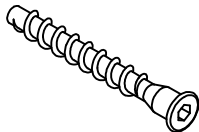
# Assemble

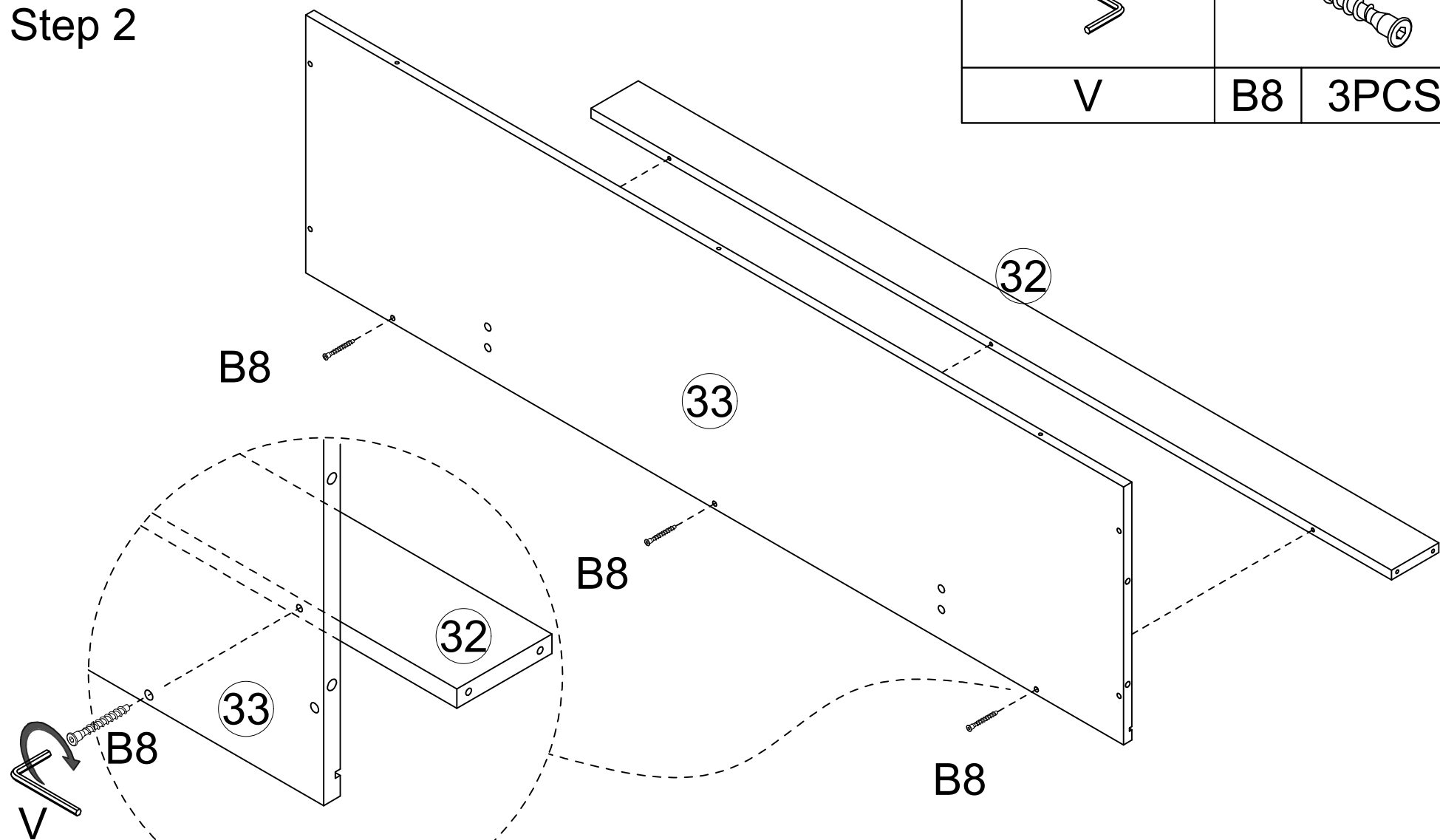
Step 1

				
X	LED1 1PC	LED2 1PC	LED3 4PCS	LED4 4PCS



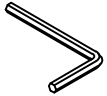
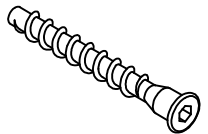
Step 2

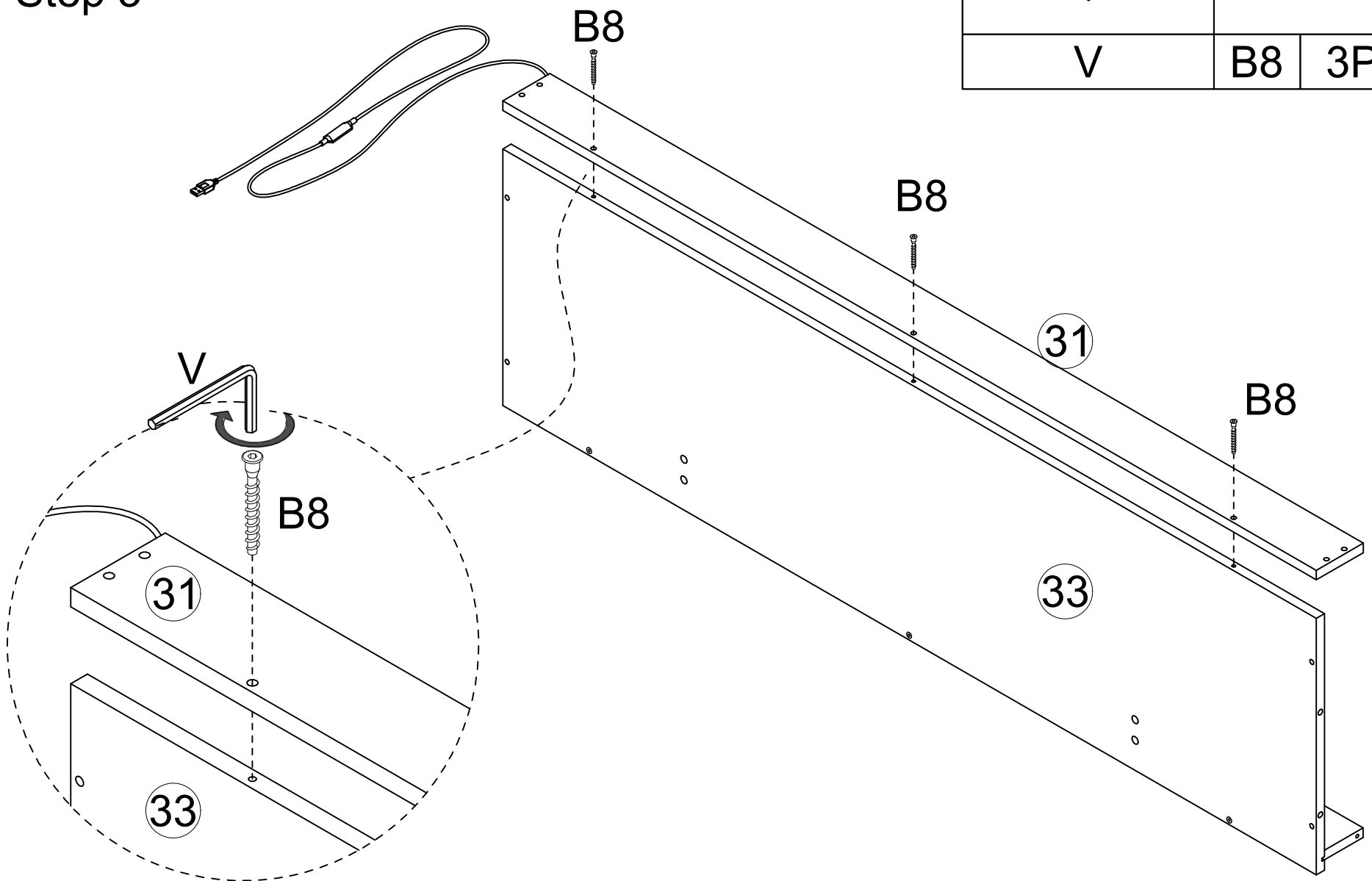
	
V	B8 3PCS



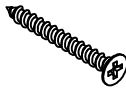
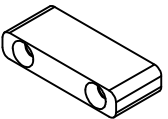
# Assemble

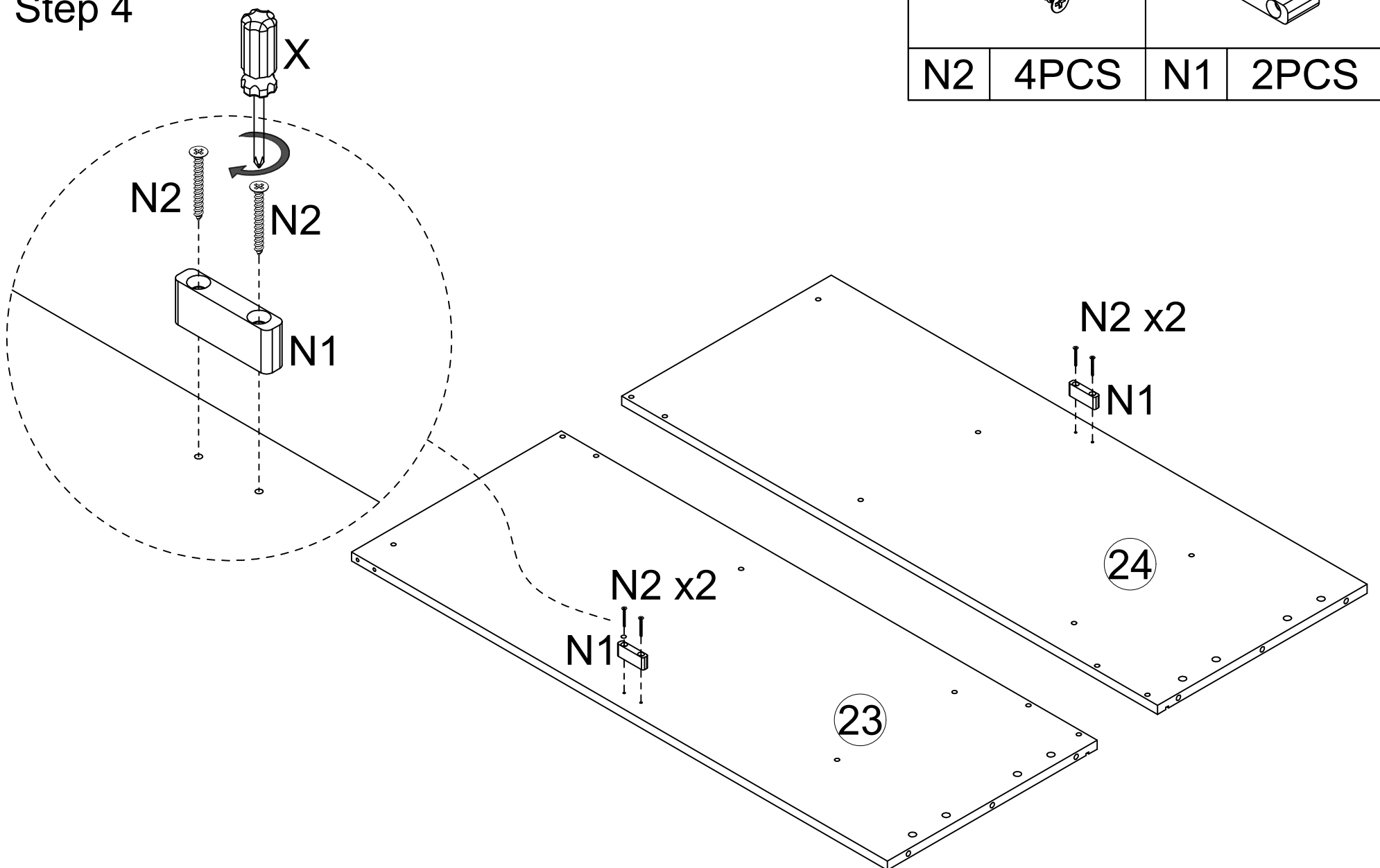
Step 3

		
V	B8	3PCS



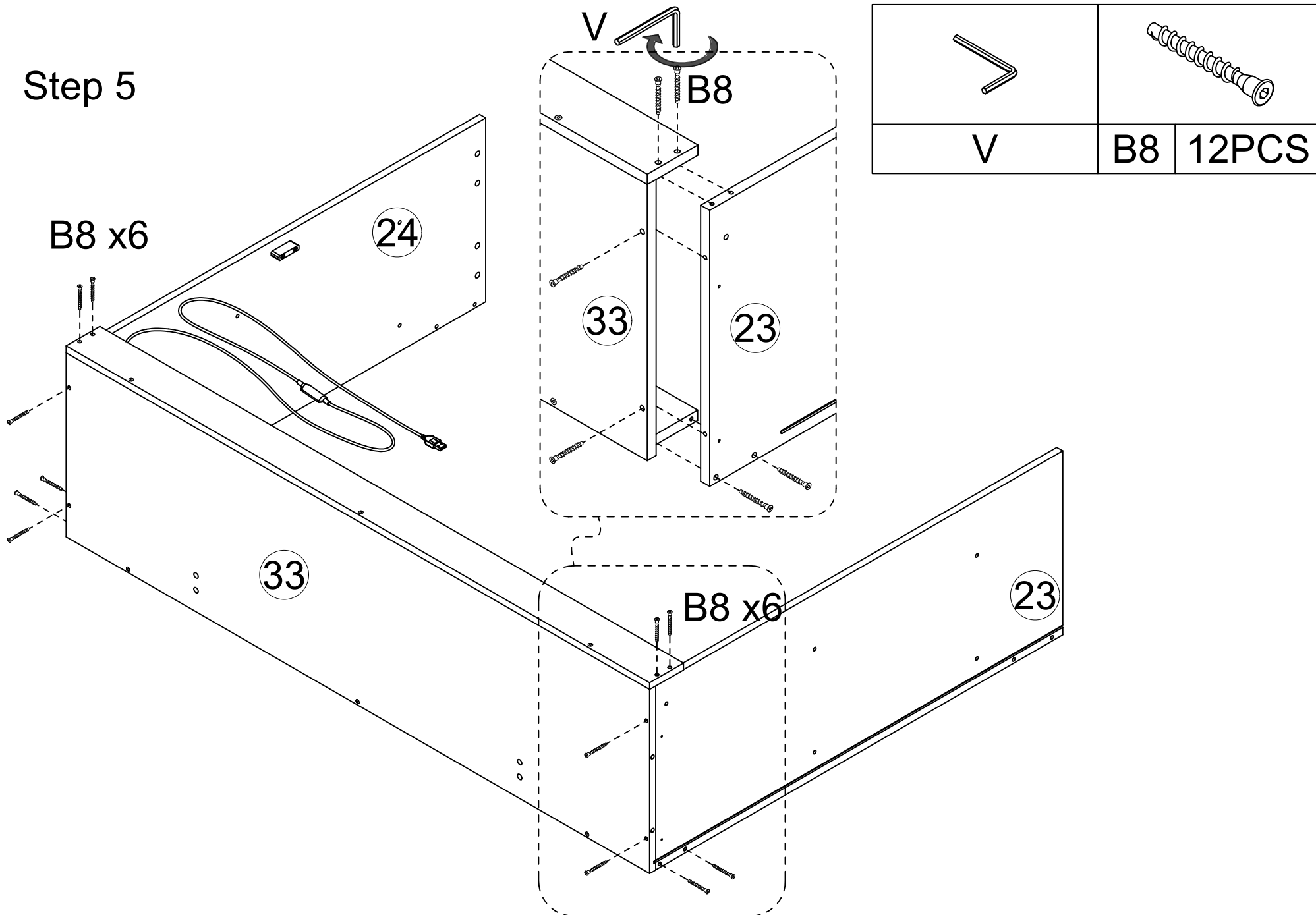
Step 4

		
N2	4PCS	N1   2PCS

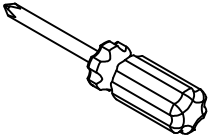
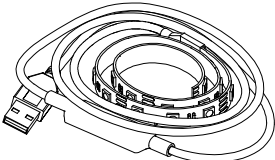

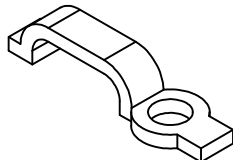
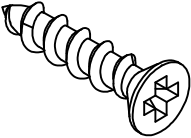


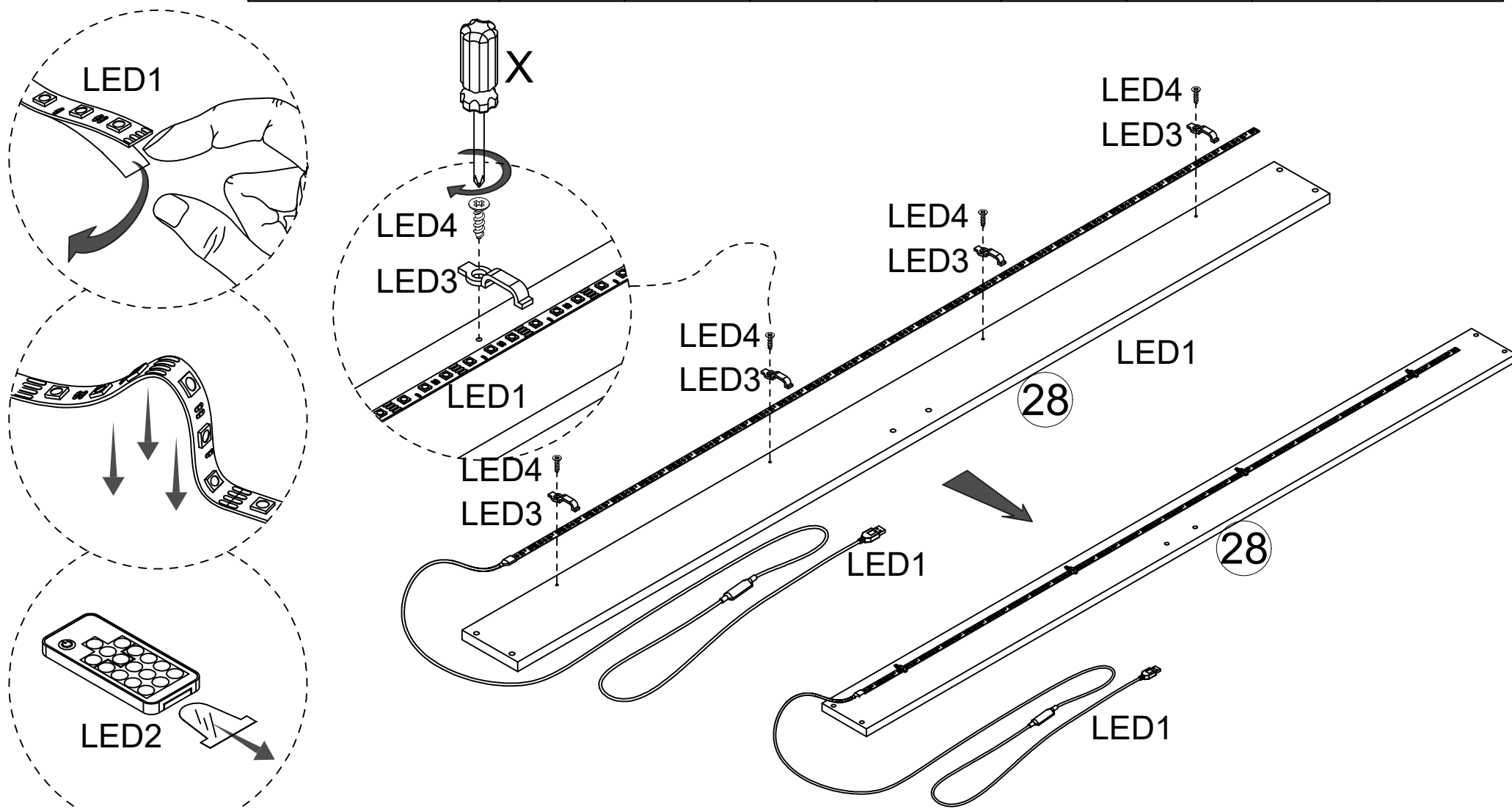
# Assemble

Step 5



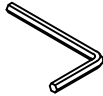
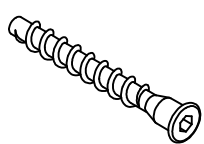
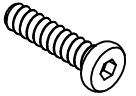
Step 6

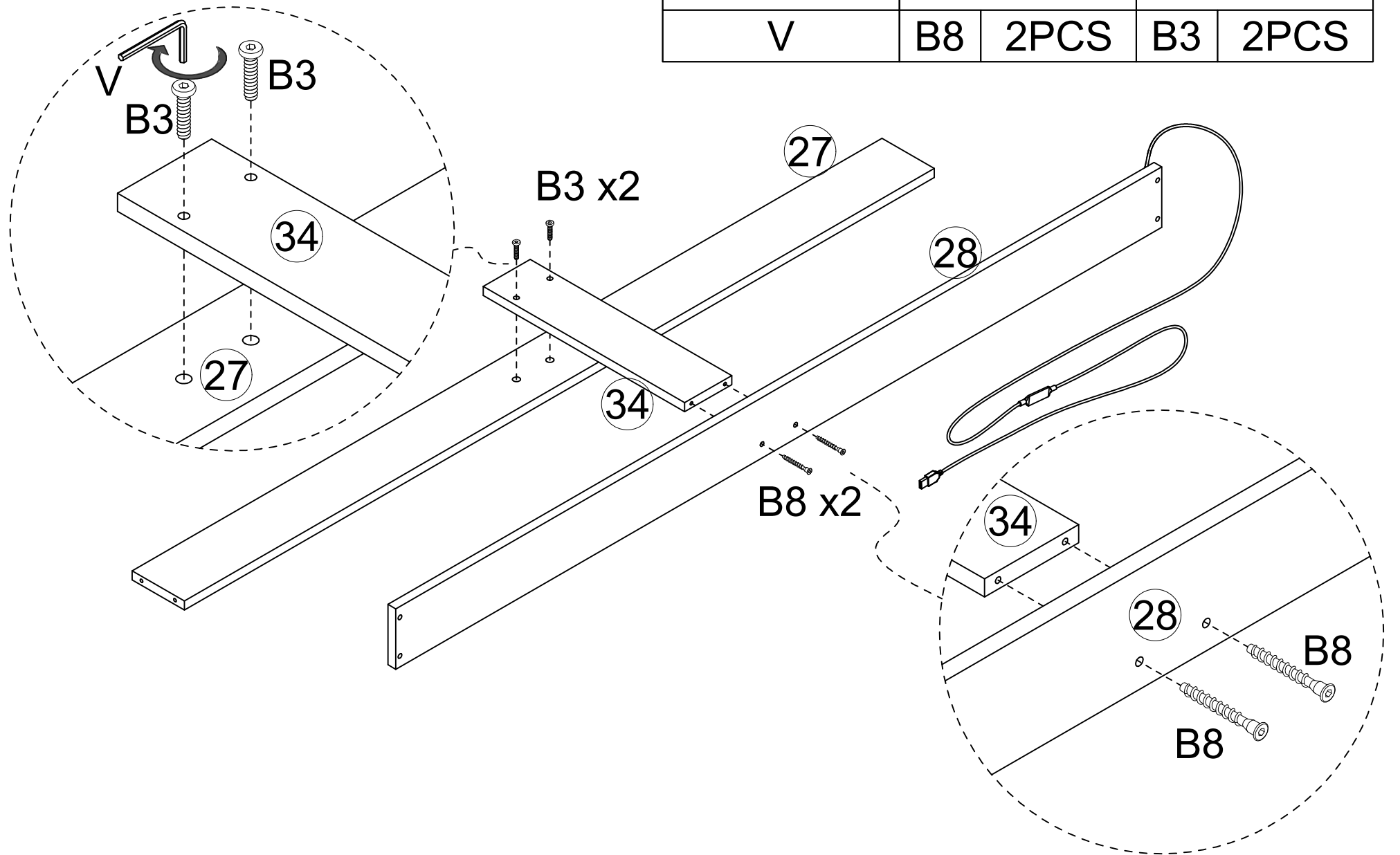
				
X	LED1 1PC	LED2 1PC	LED3 4PCS	LED4 4PCS




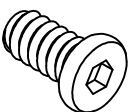
# Assemble

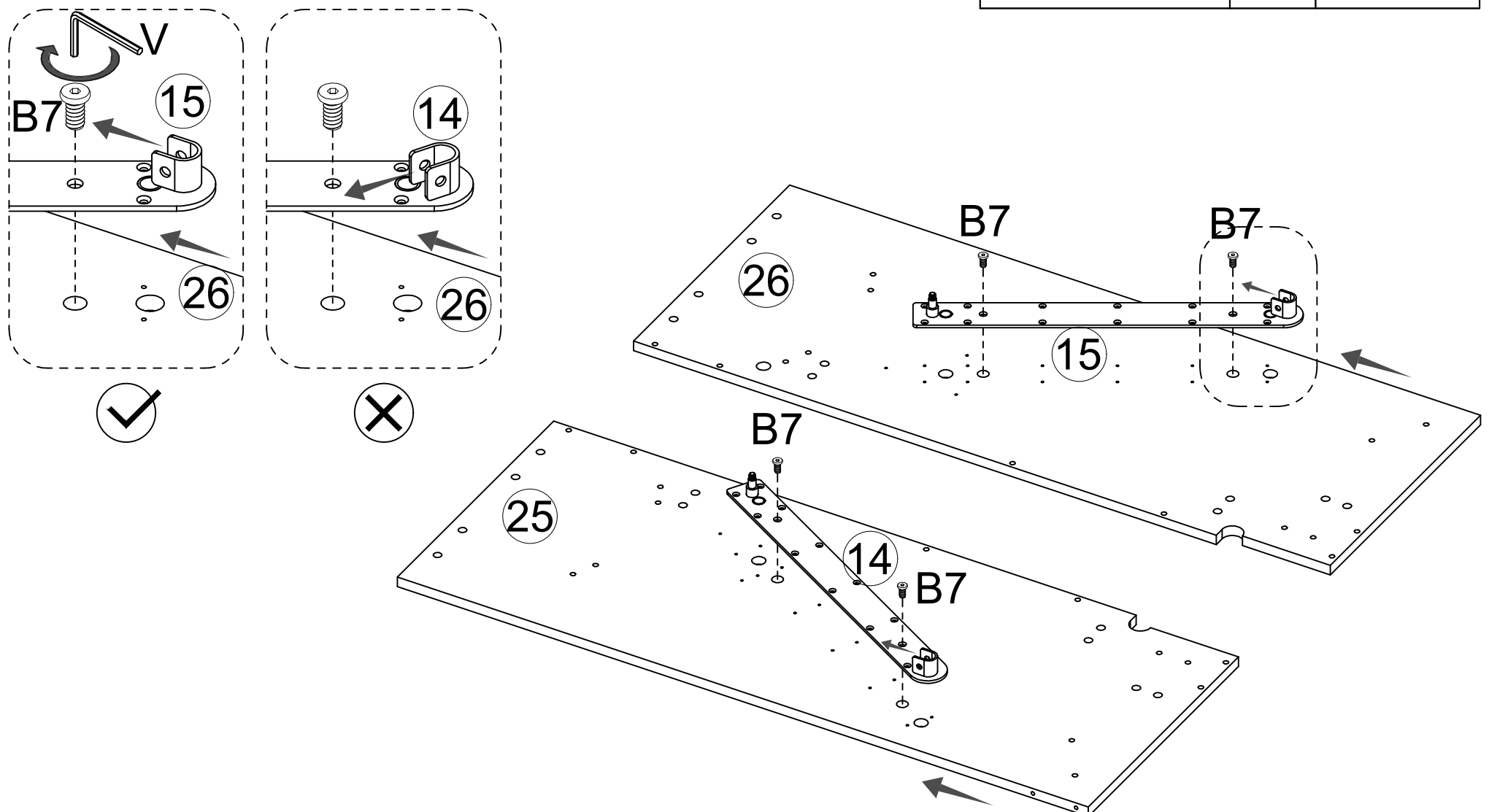
Step 7

		
V	B8 2PCS	B3 2PCS



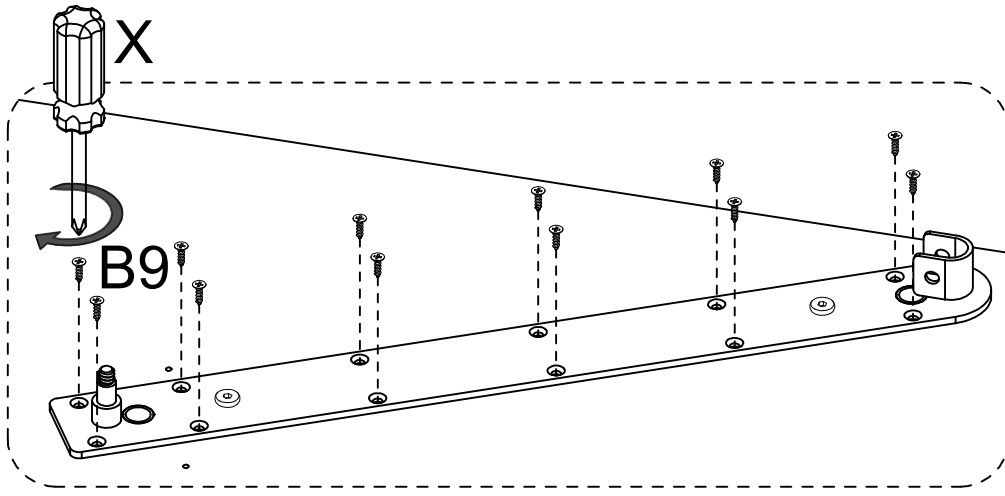
Step 8

	
V	B7 4PCS

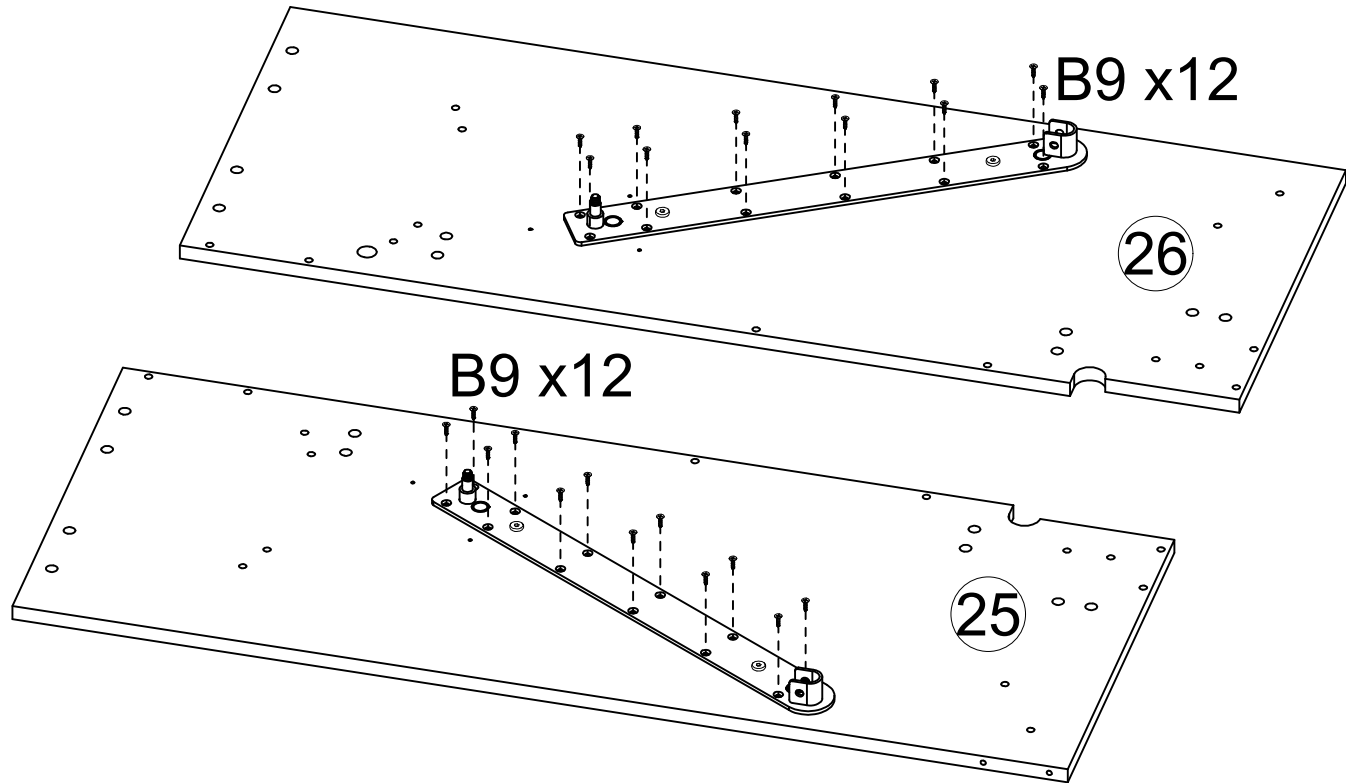


# Assemble

Step 9



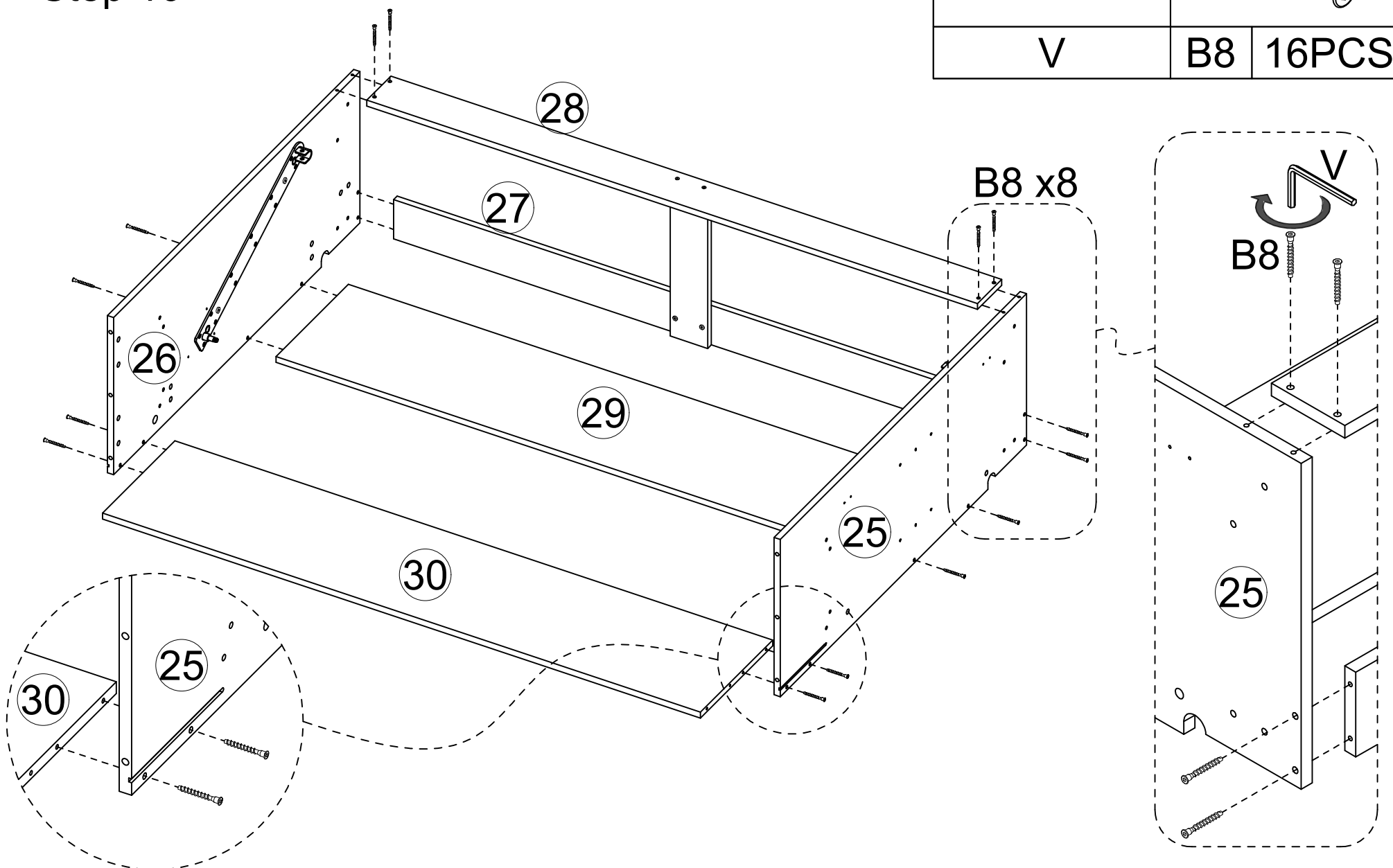
X	B9 24PCS



Step 10

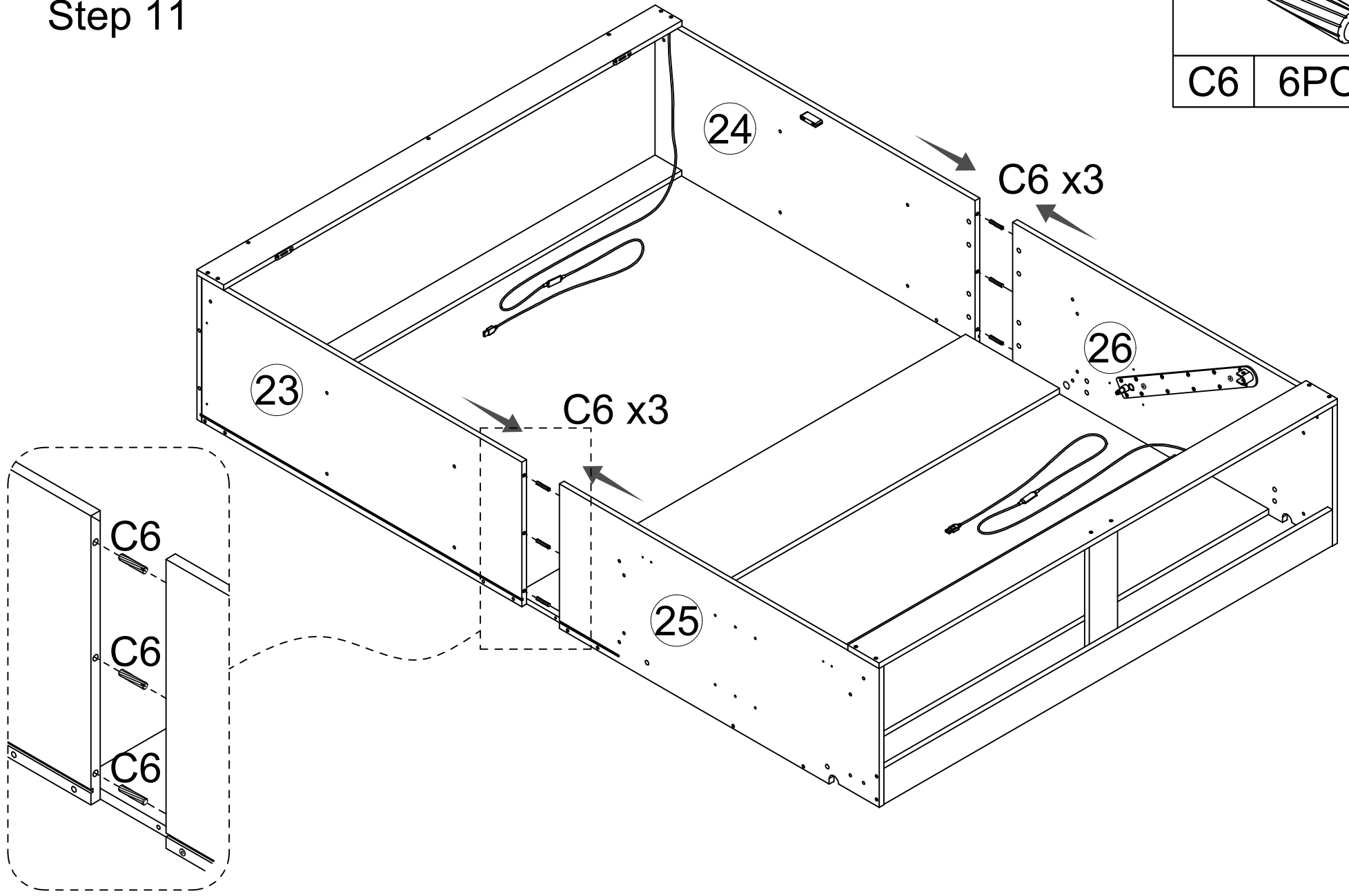
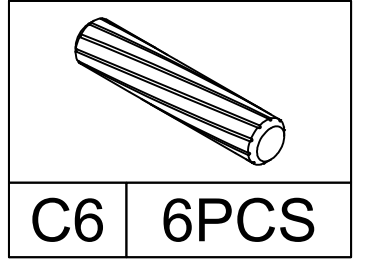
B8 x8

V	B8 16PCS

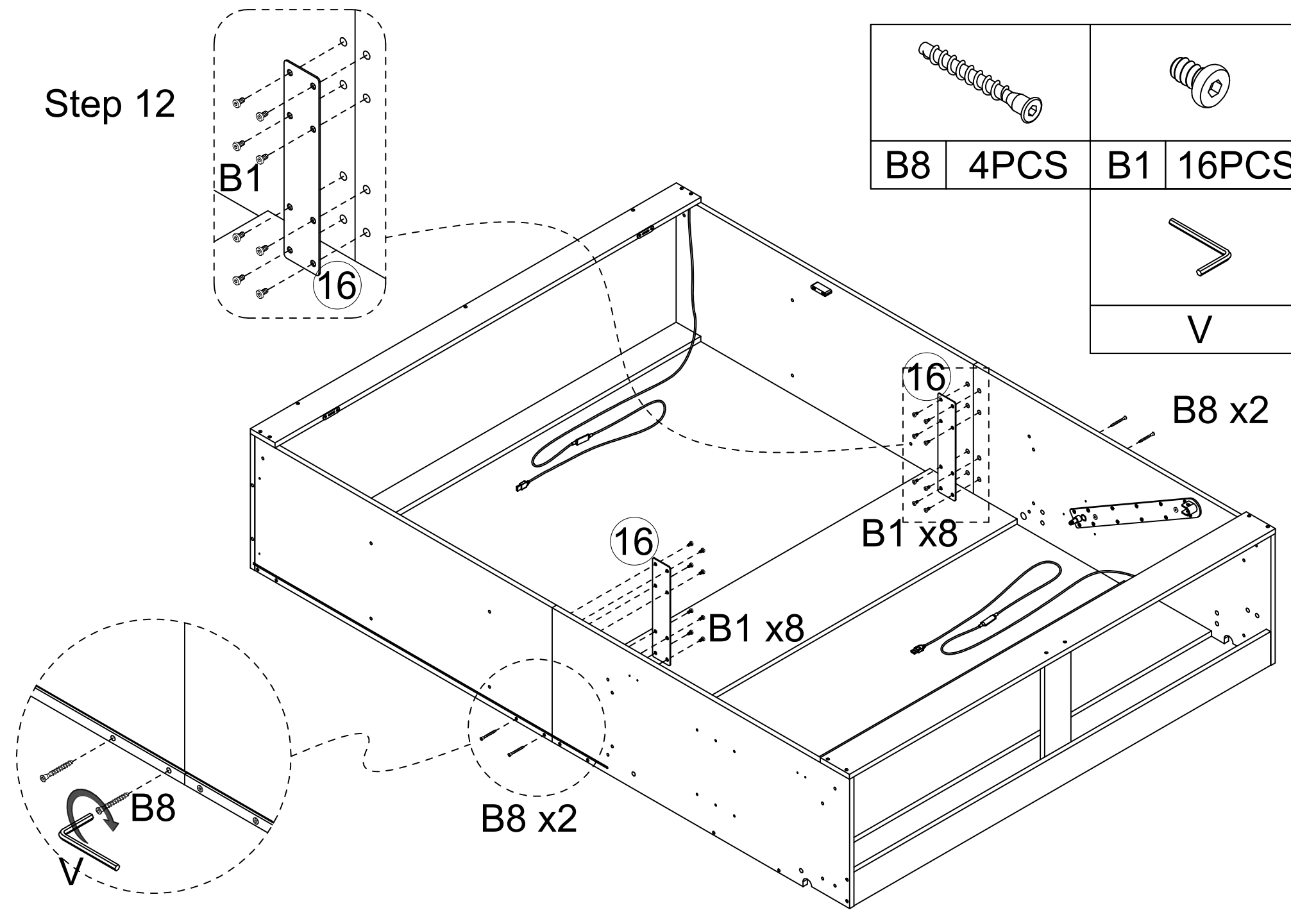
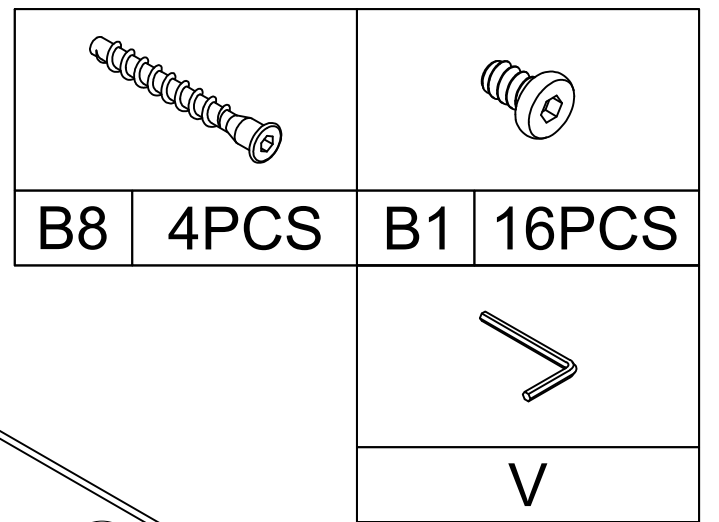


# Assemble

Step 11

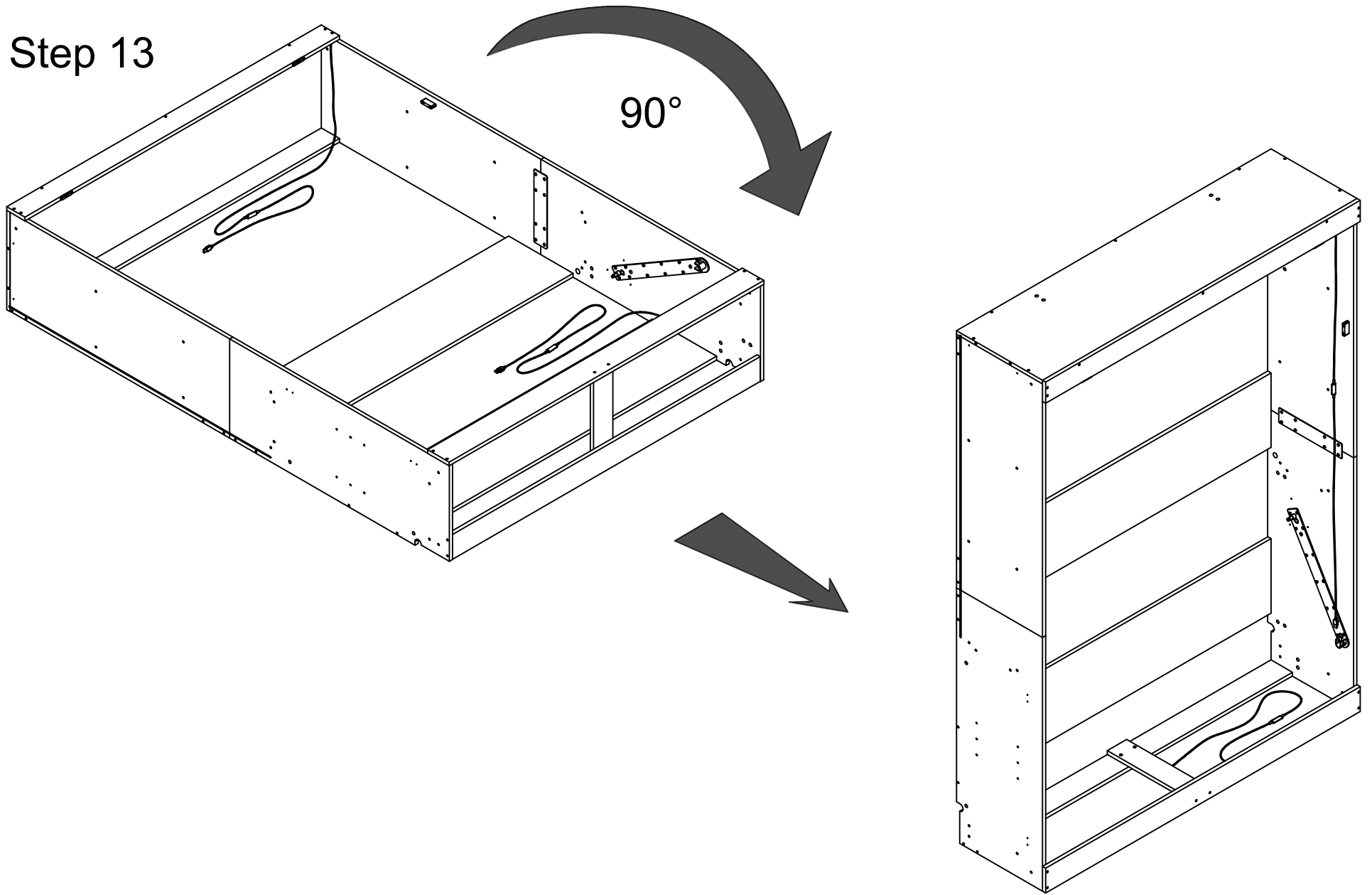


Step 12

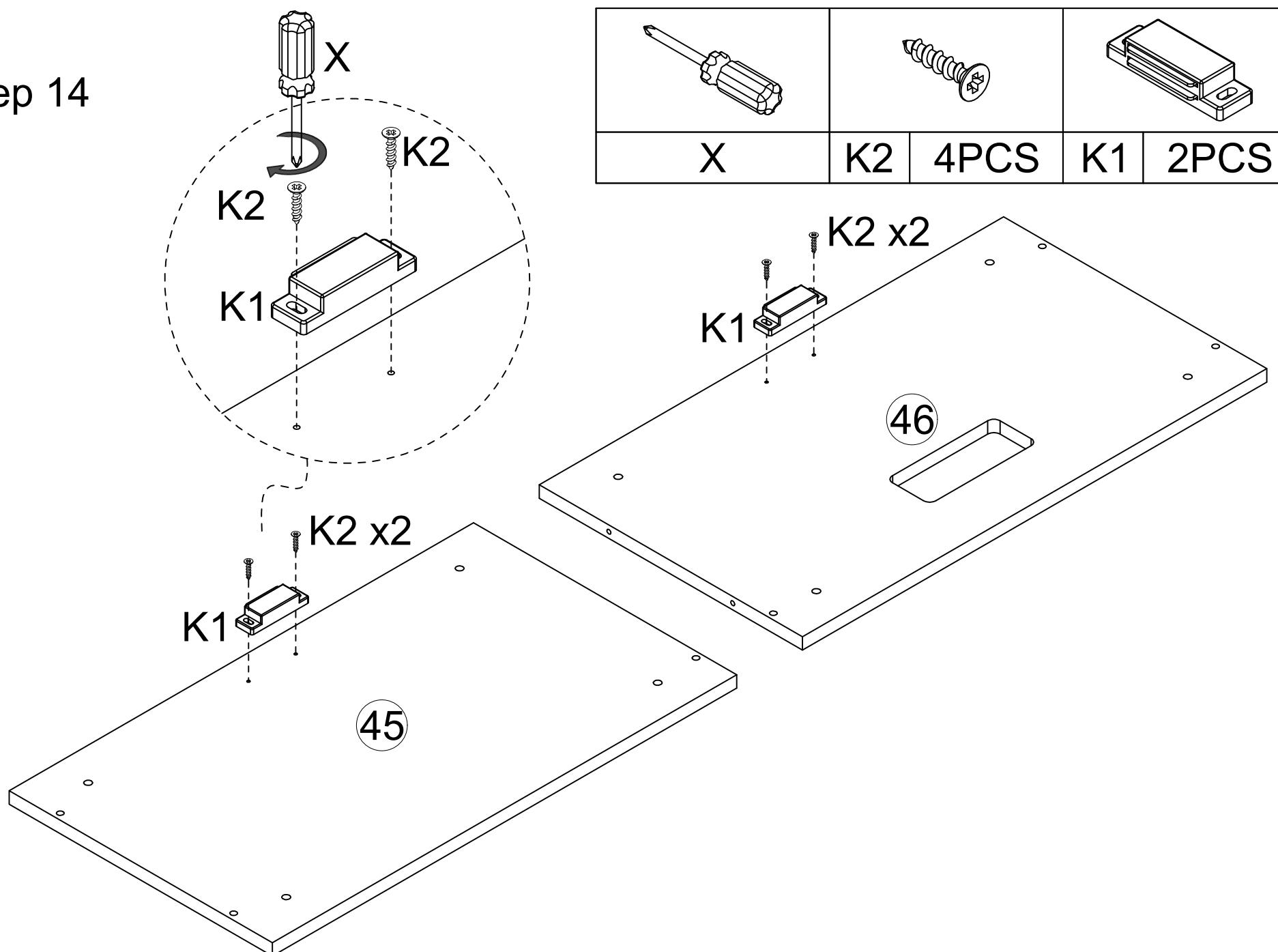


# Assemble

Step 13

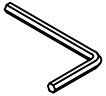
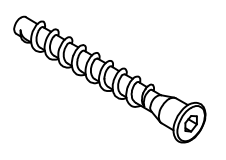


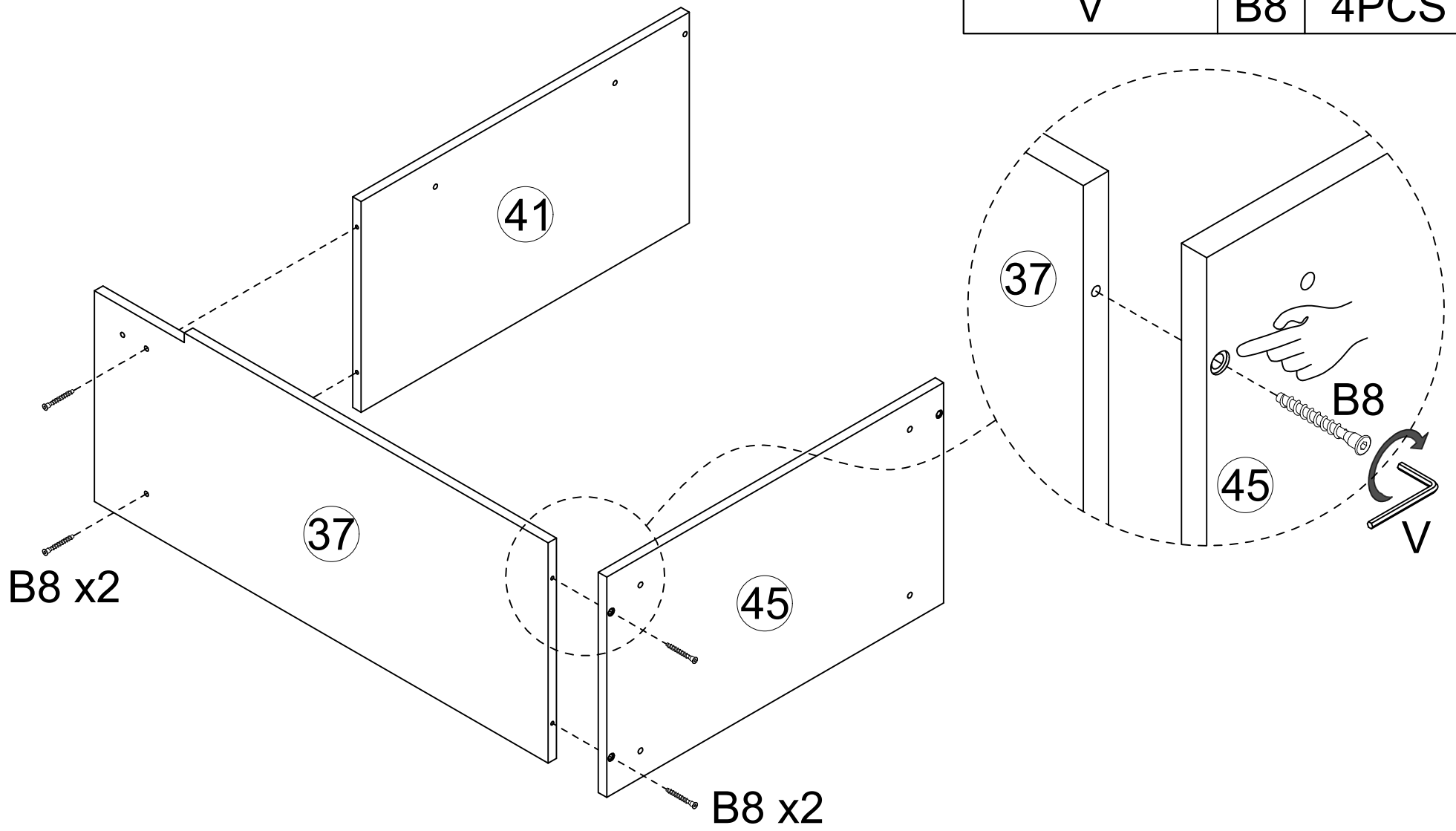
Step 14



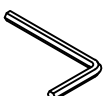
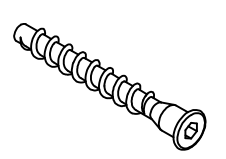
# Assemble

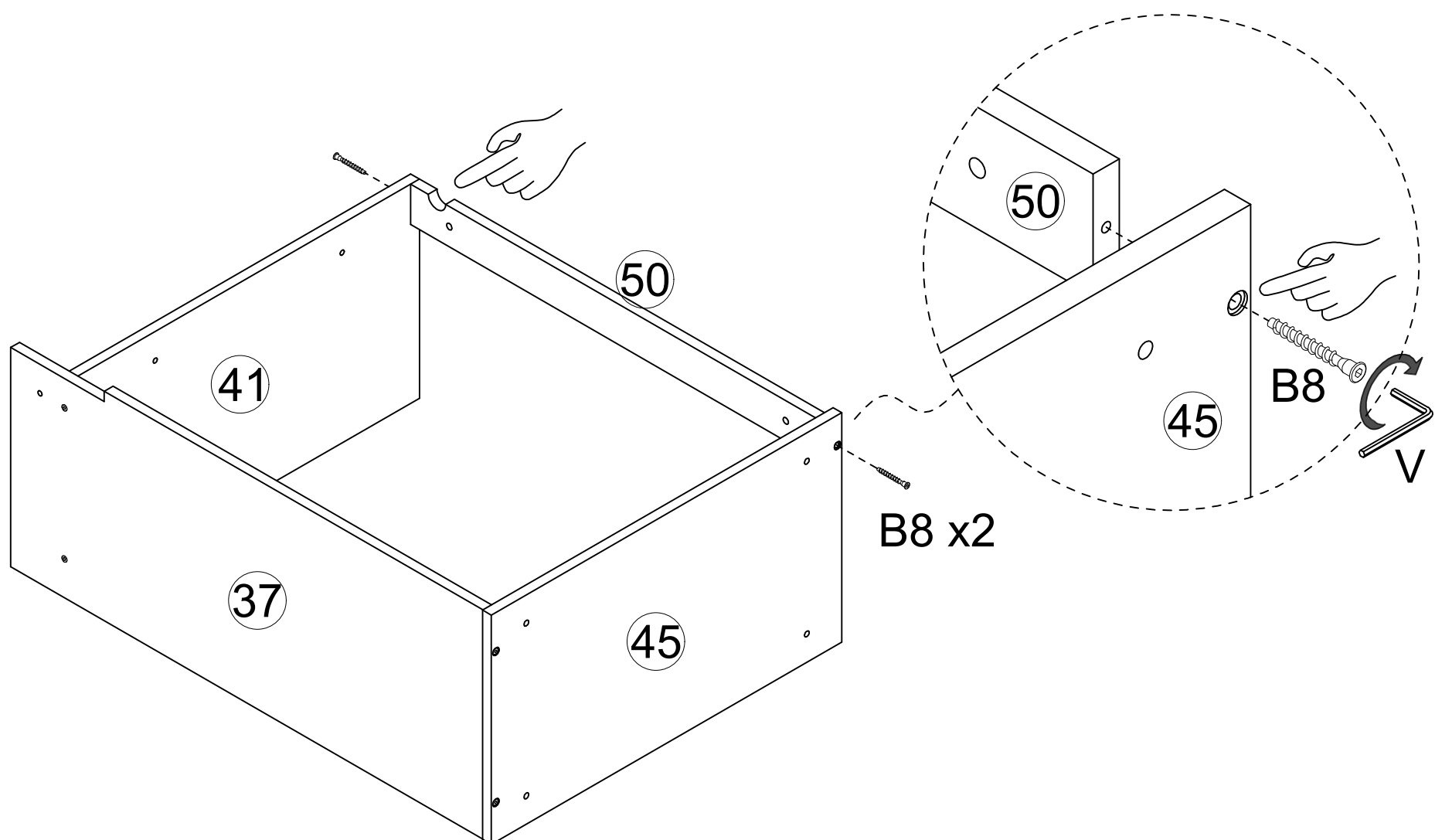
Step 15

	
V	B8 4PCS



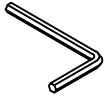
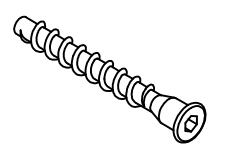
Step 16

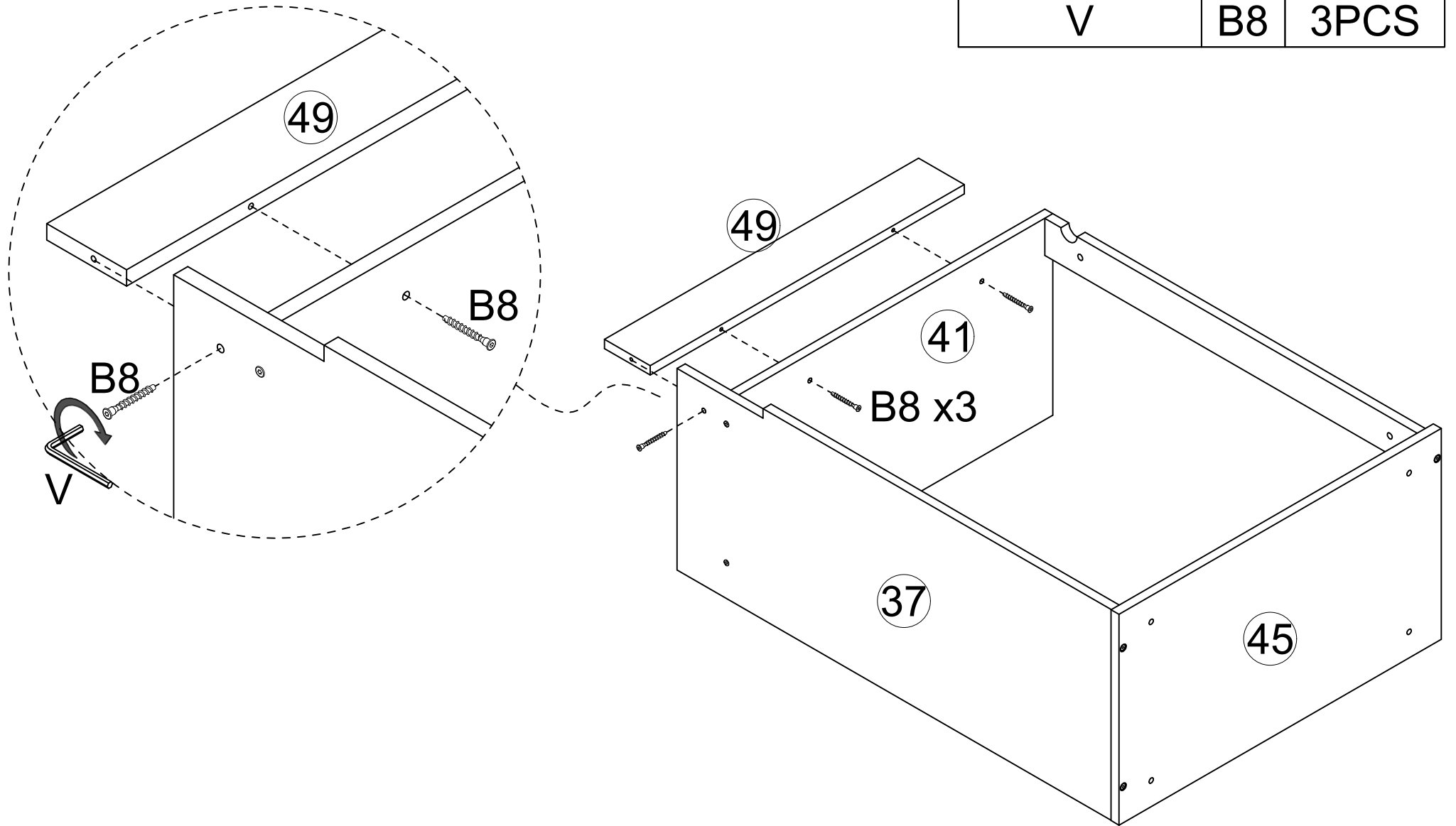
	
V	B8 2PCS



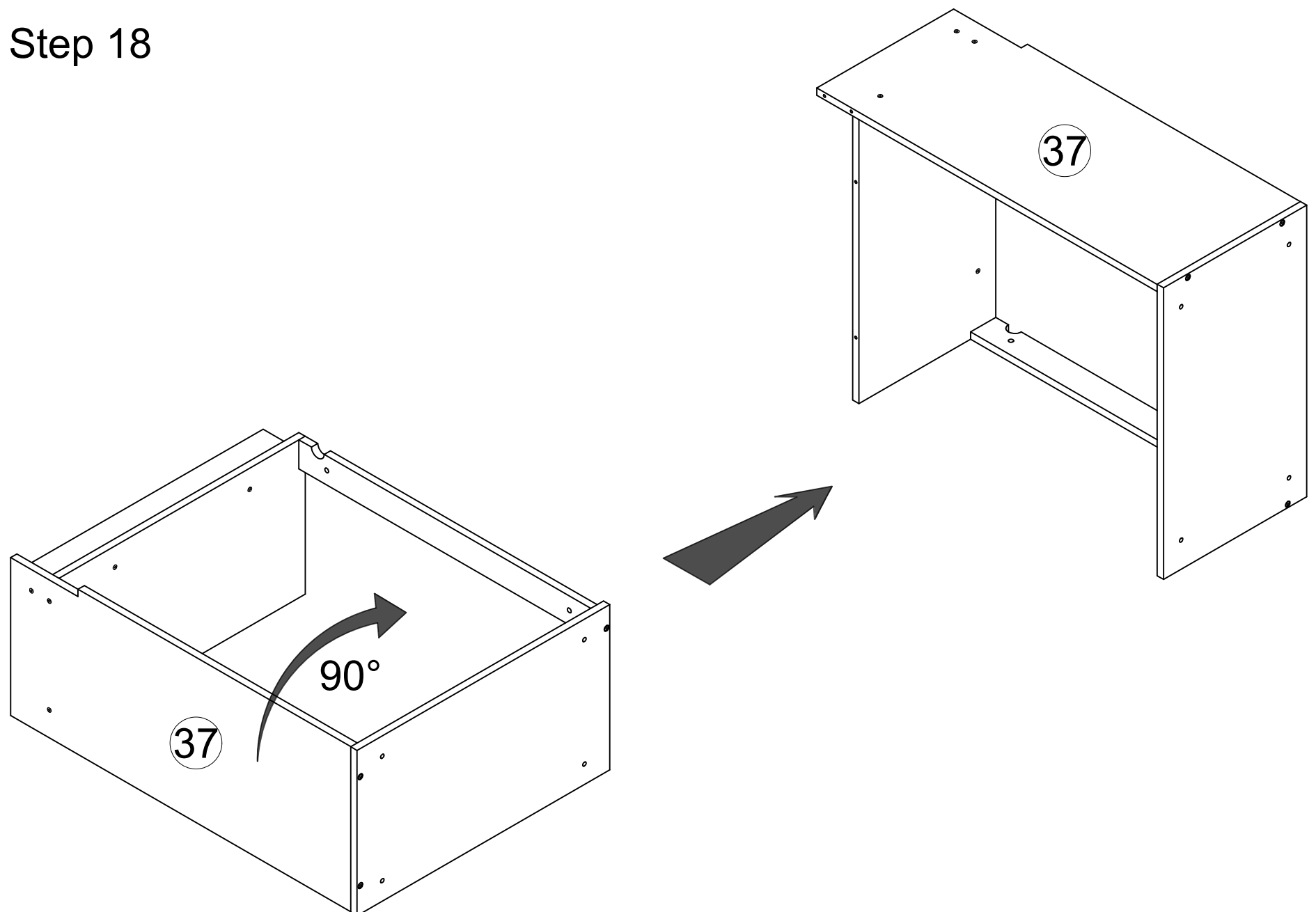
# Assemble

Step 17

		
V	B8	3PCS

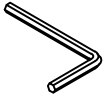
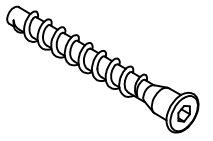


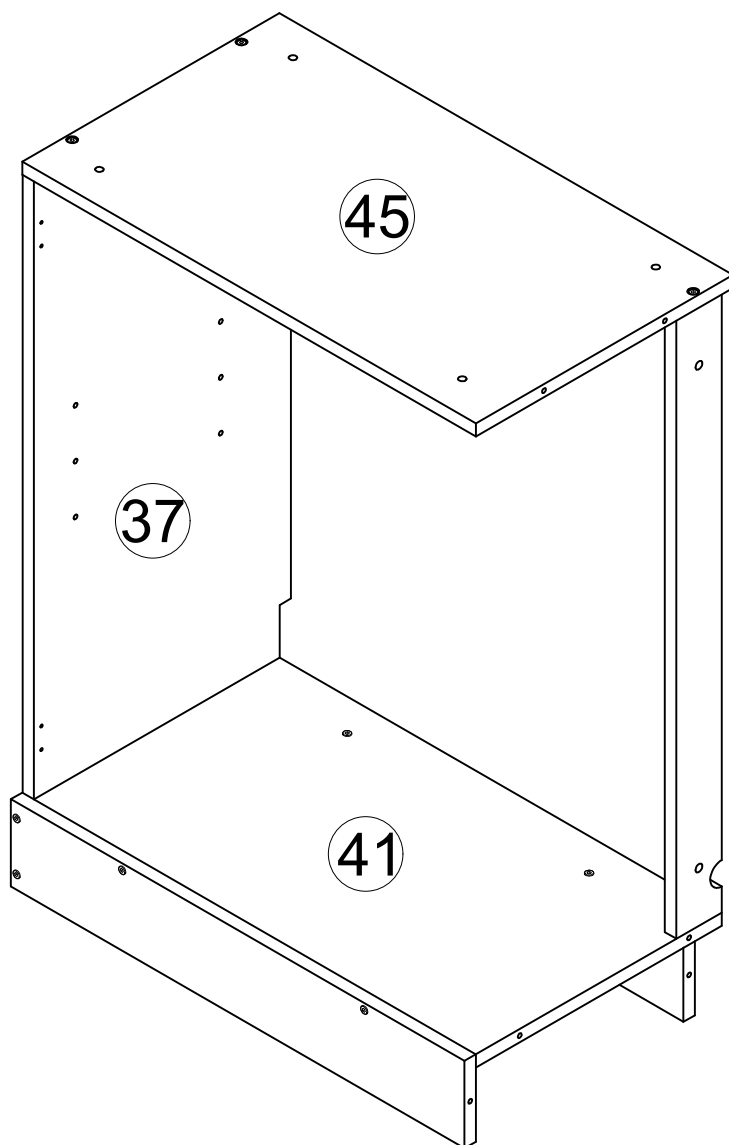
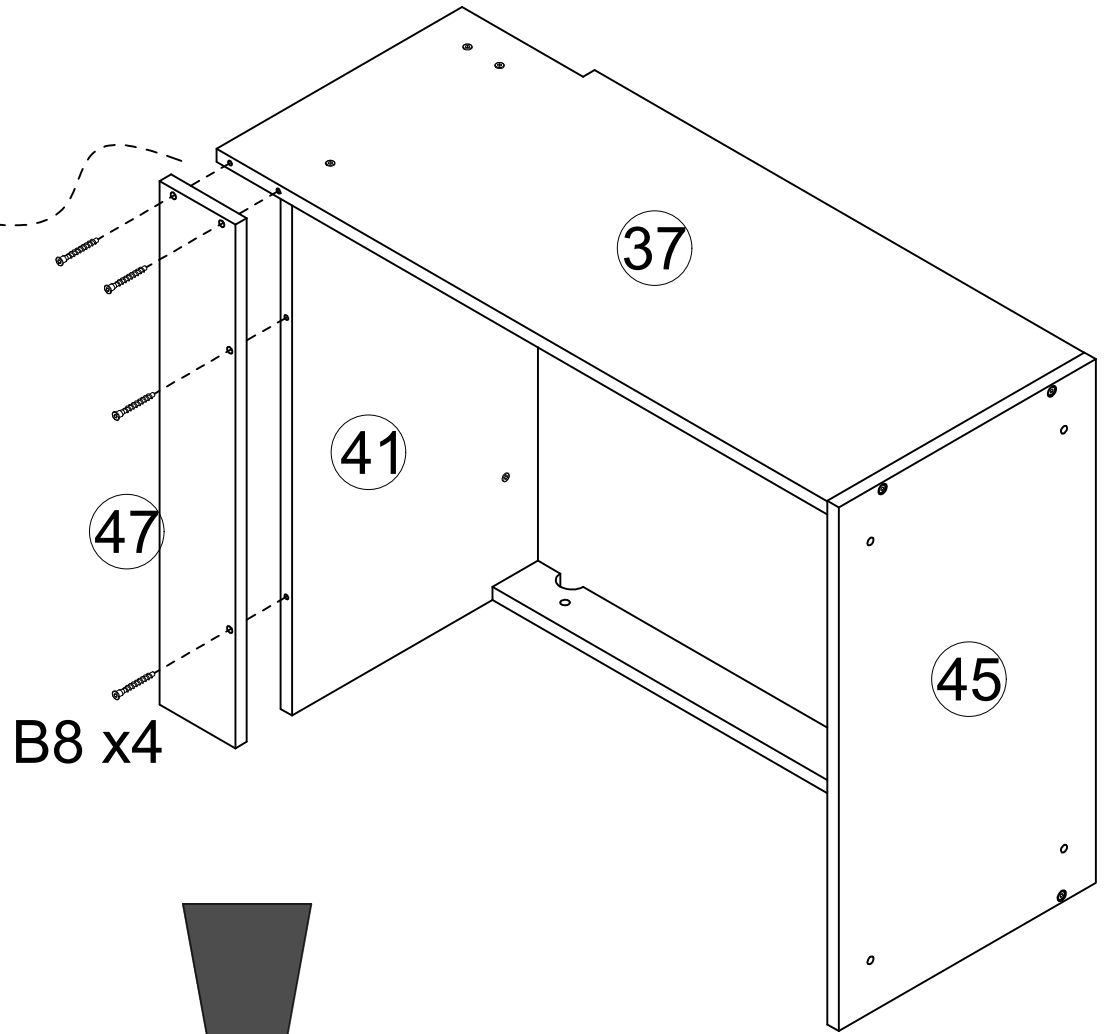
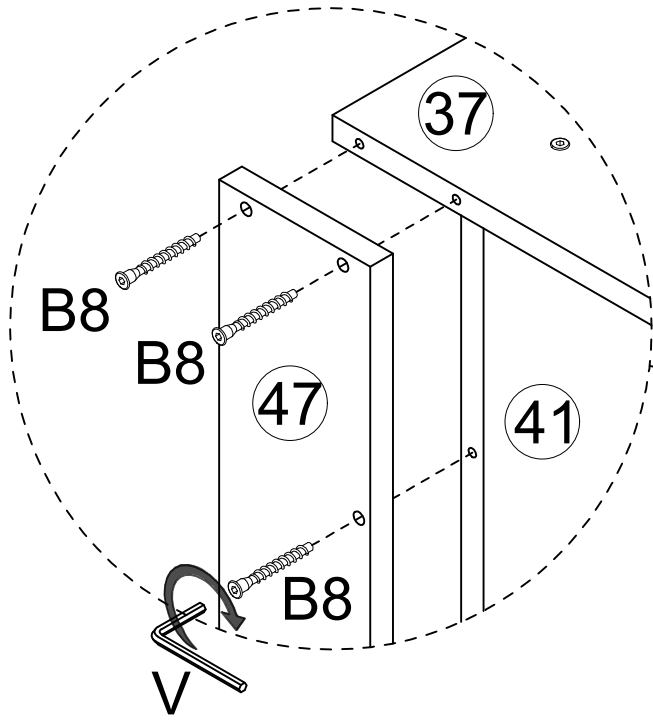
Step 18



# Assemble

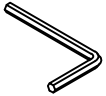
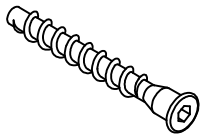
Step 19

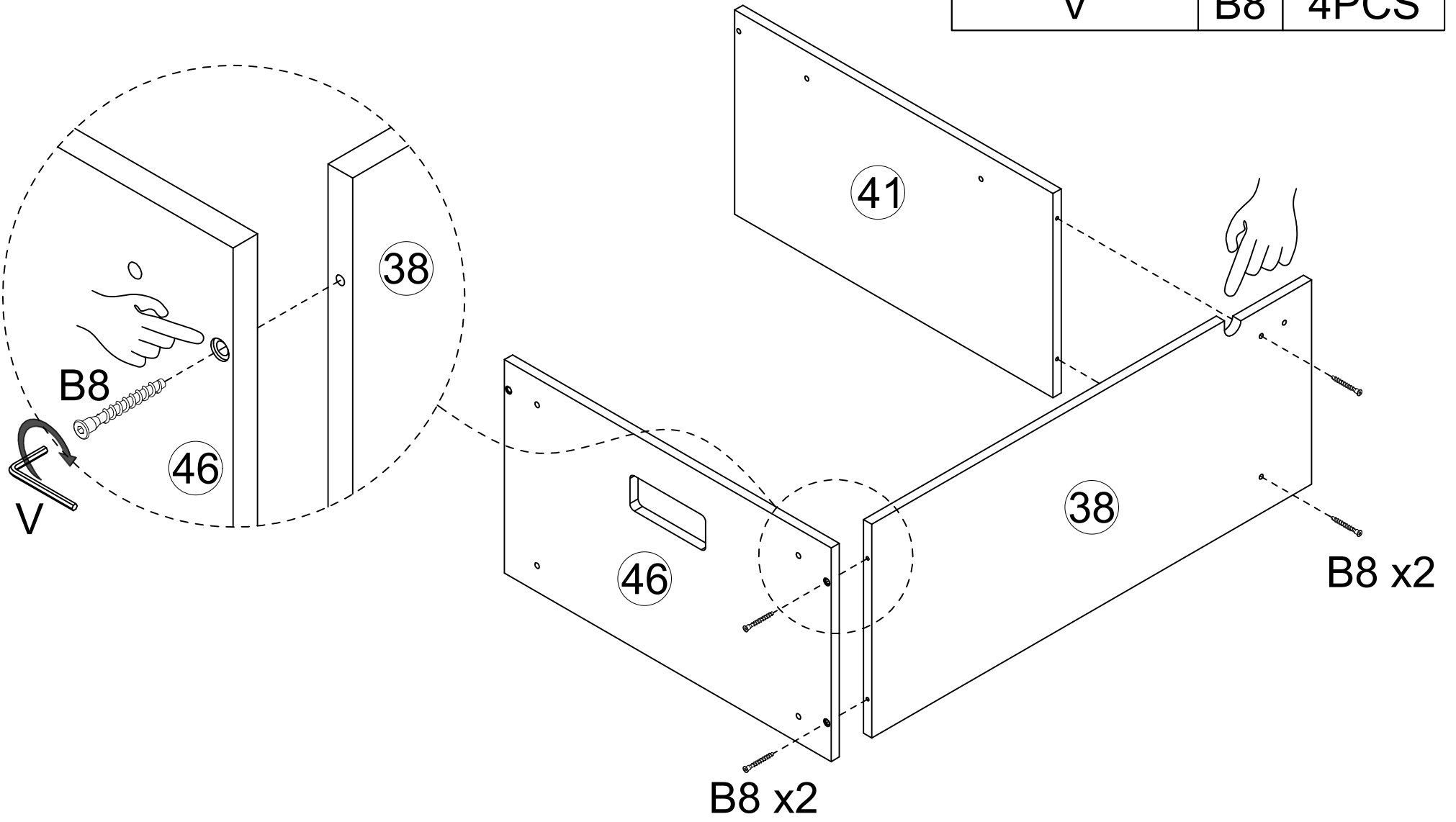
		
V	B8	4PCS



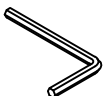
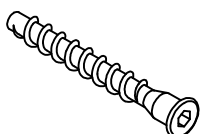
# Assemble

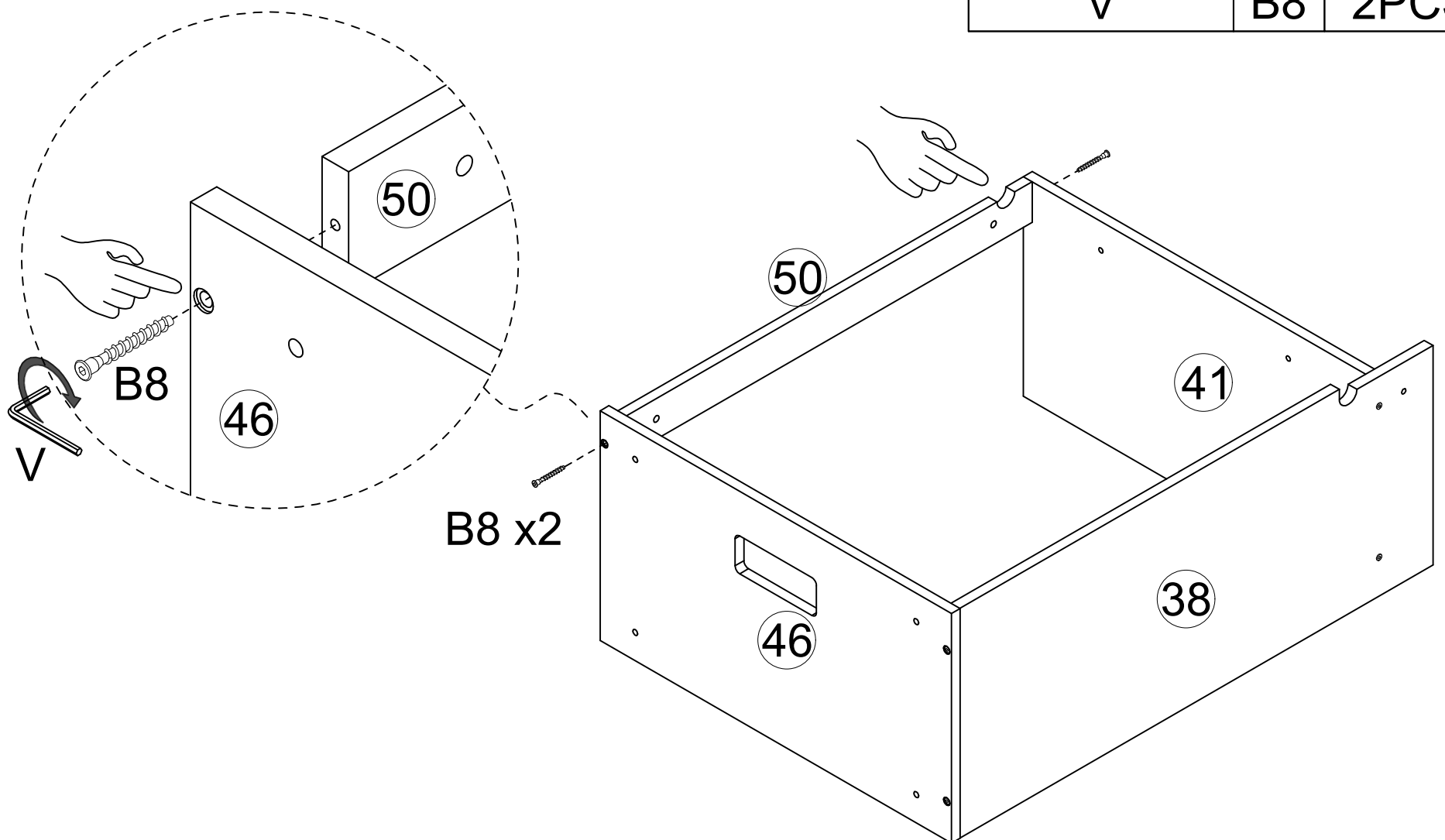
Step 20

		
V	B8	4PCS



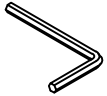
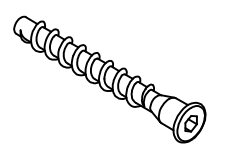
Step 21

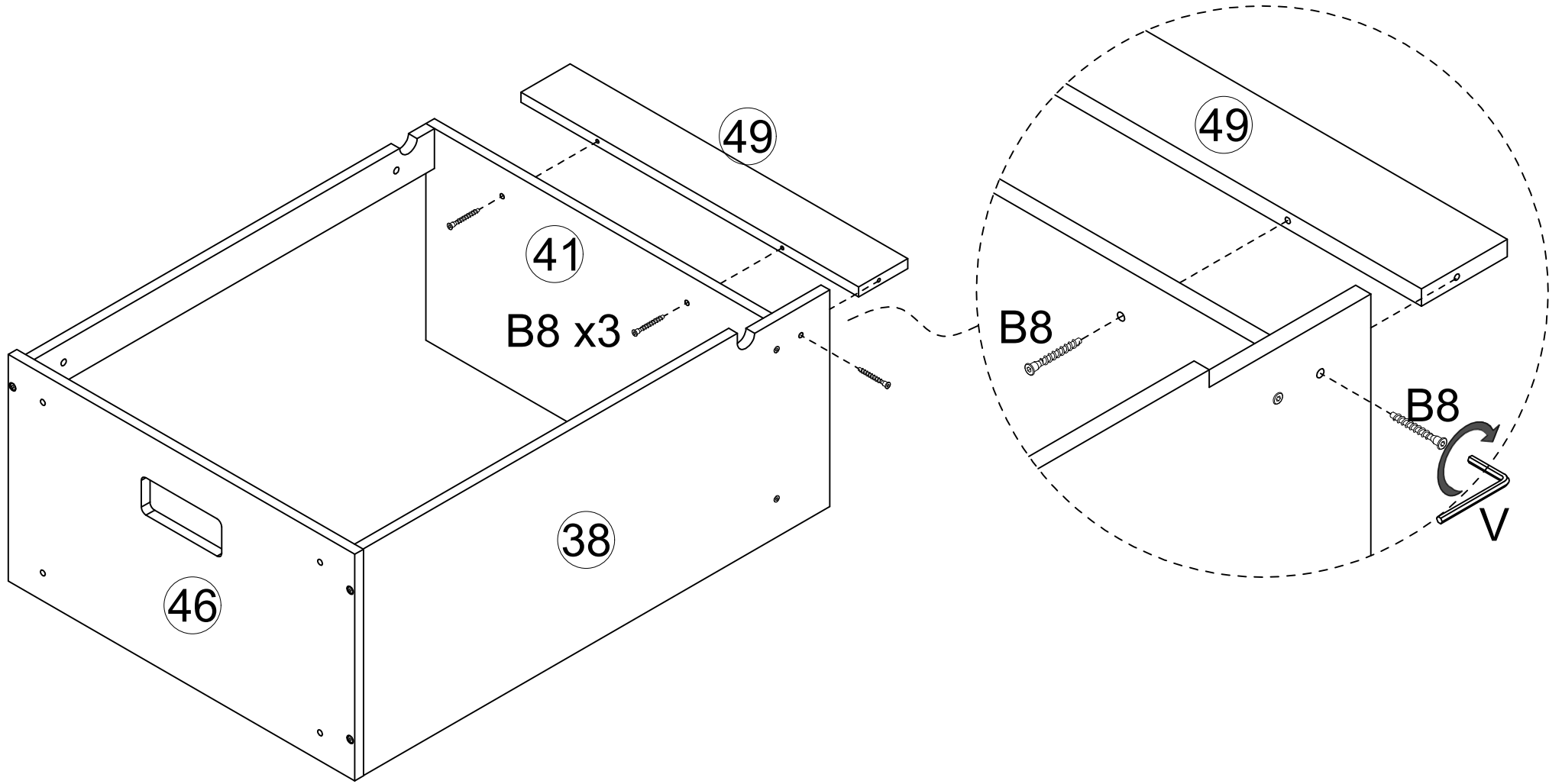
		
V	B8	2PCS



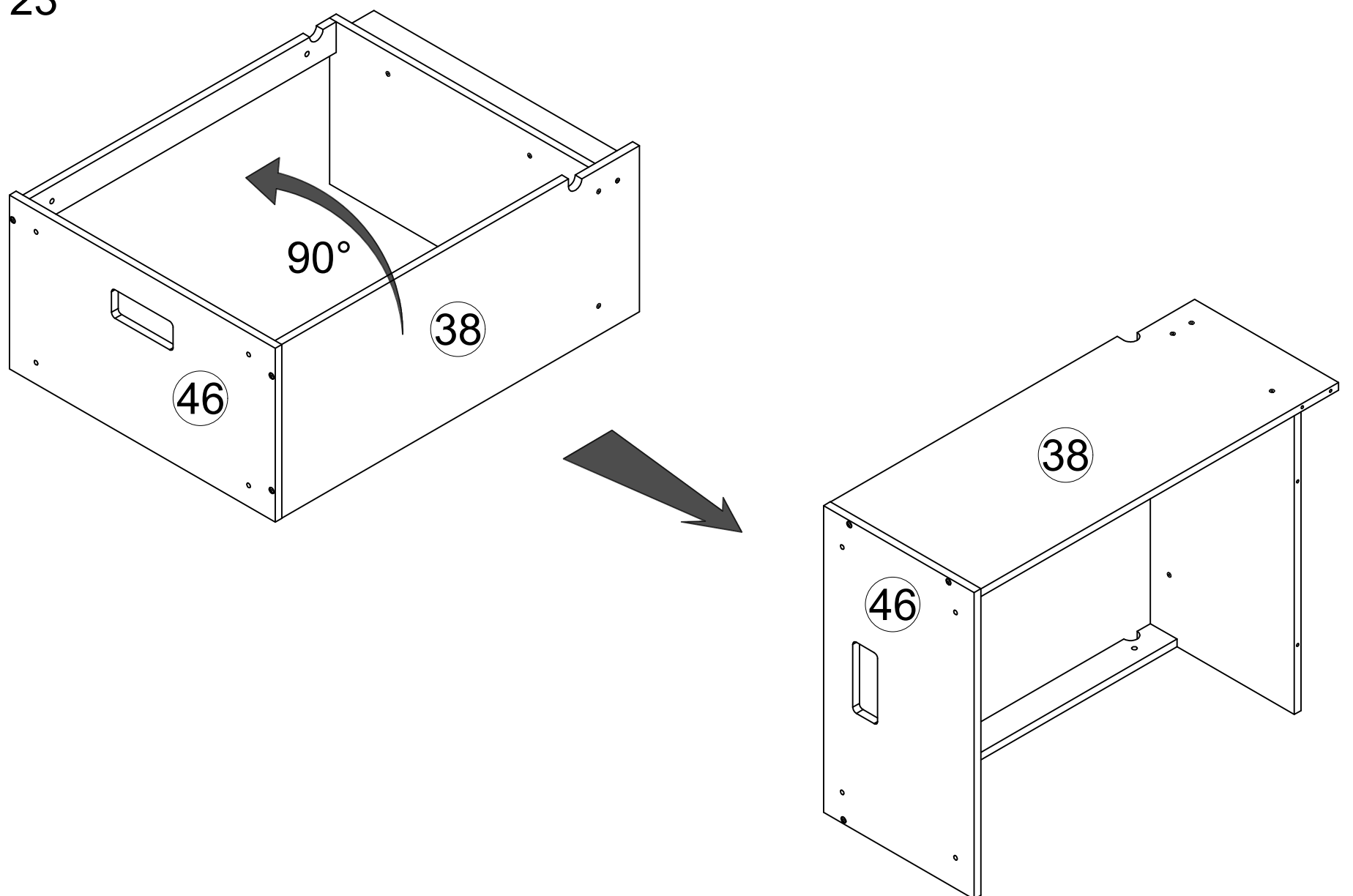
# Assemble

Step 22

	
V	B8 3PCS

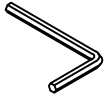
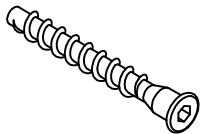


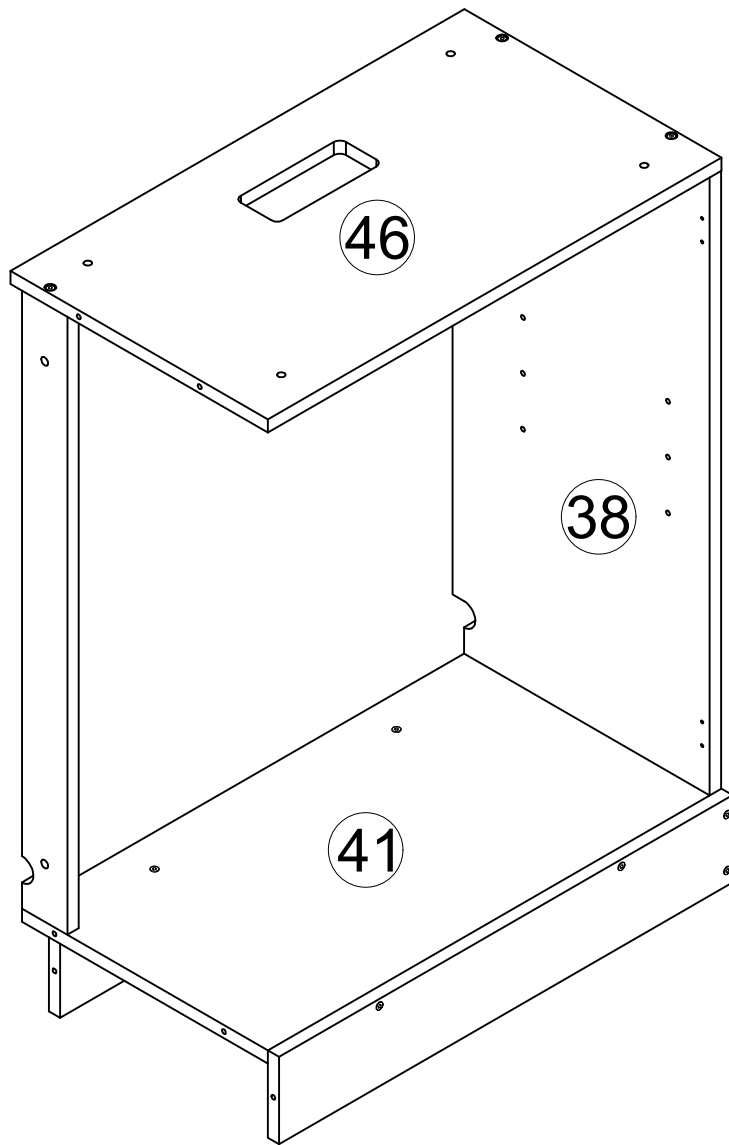
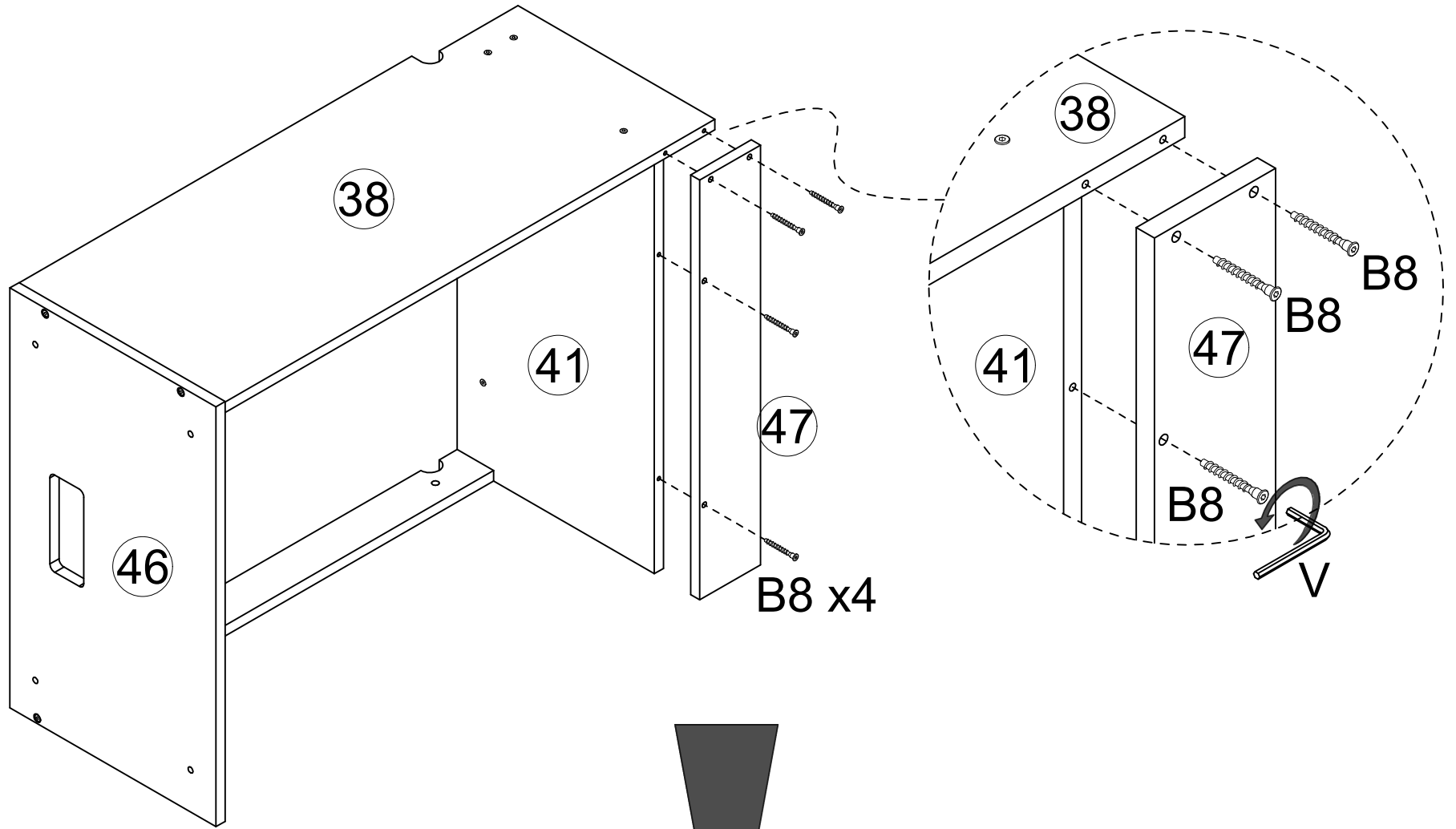
Step 23



# Assemble

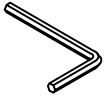
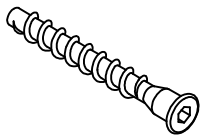
Step 24

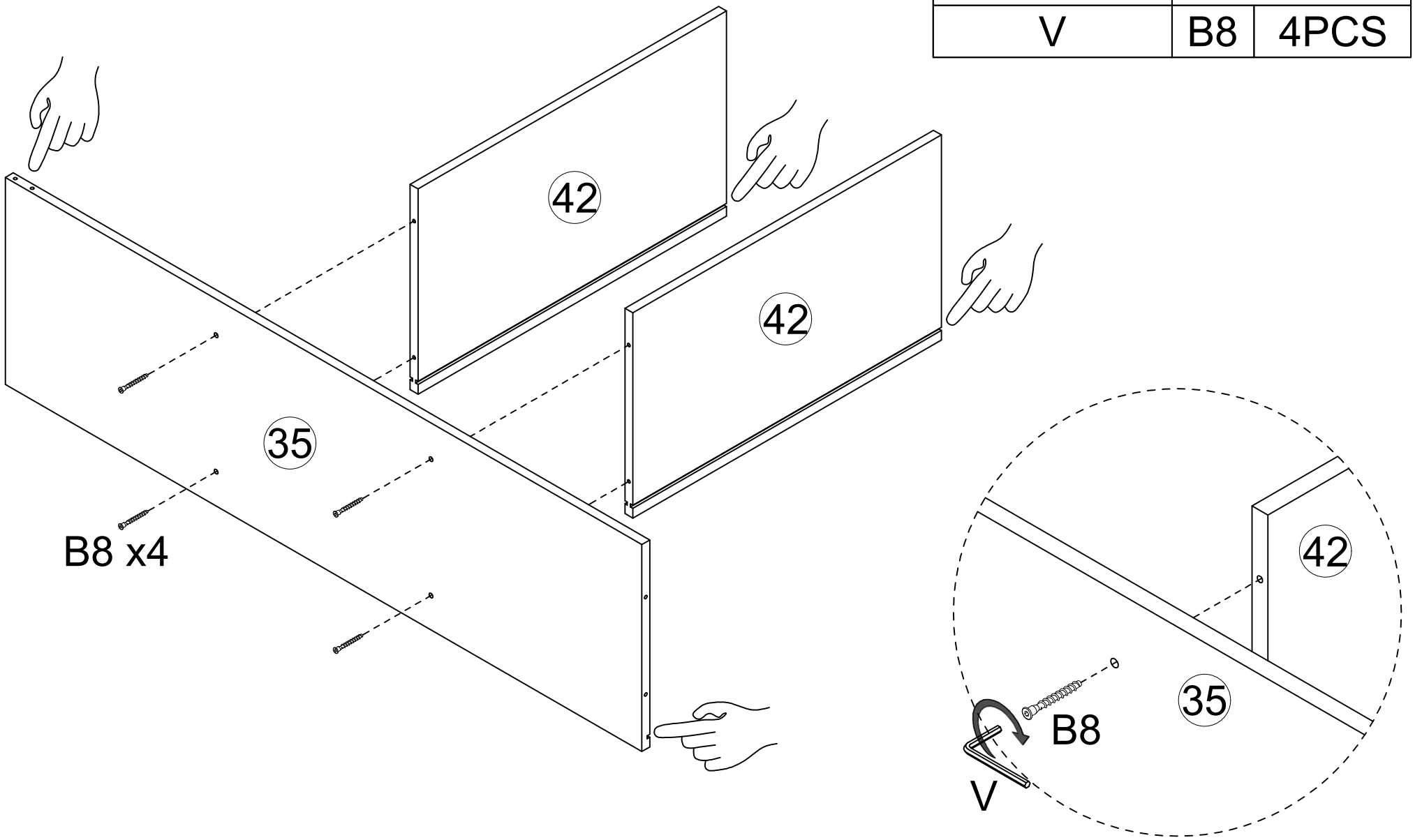
	
V	B8 4PCS



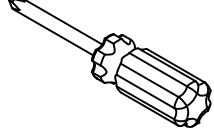
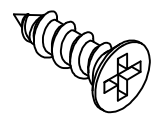
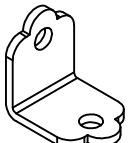
# Assemble

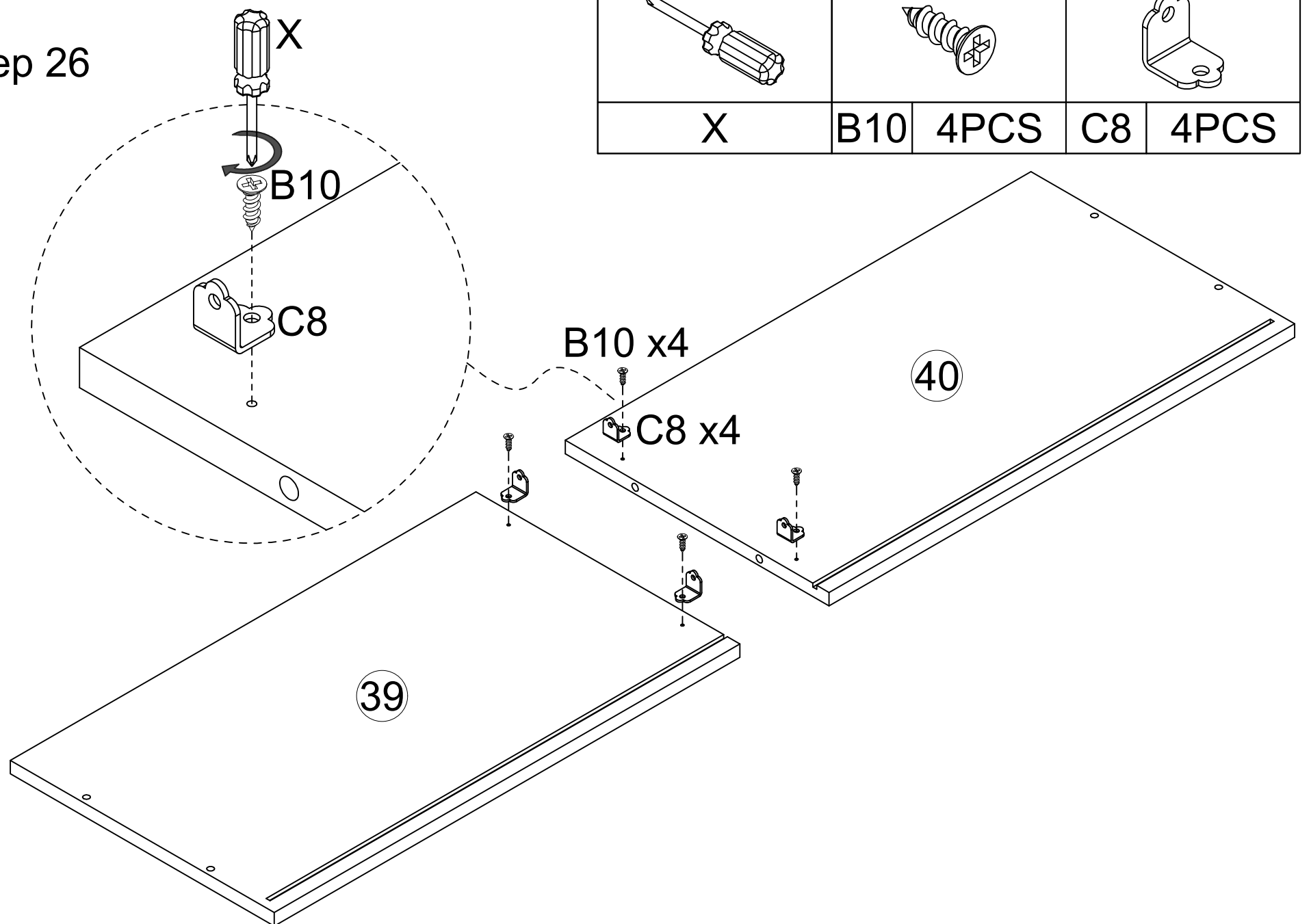
Step 25

		
V	B8	4PCS



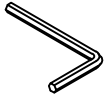
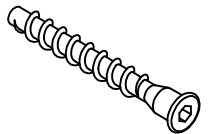
Step 26

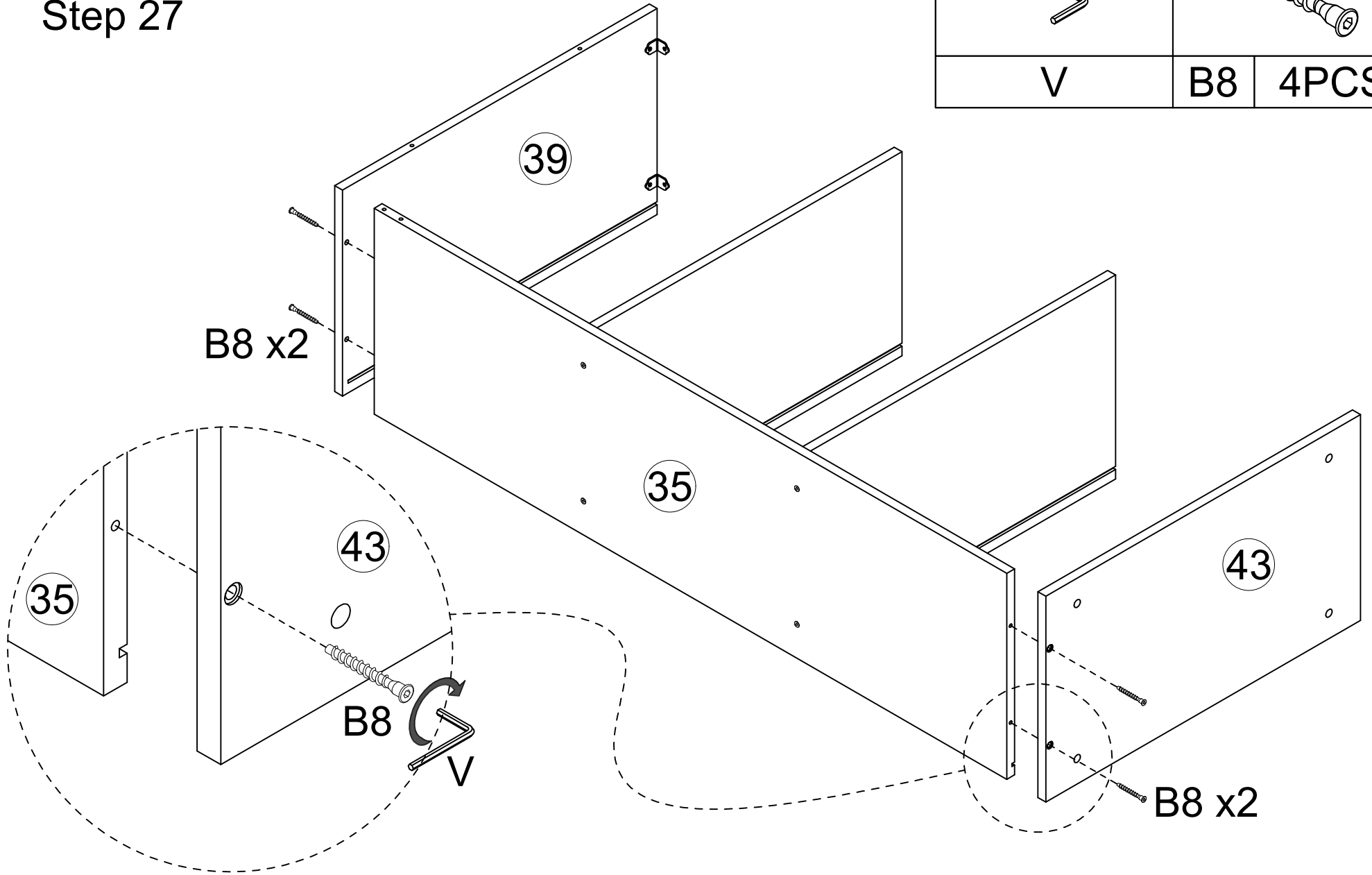
		
X	B10	4PCS
		C8
		4PCS



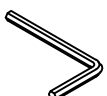
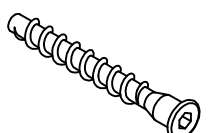
# Assemble

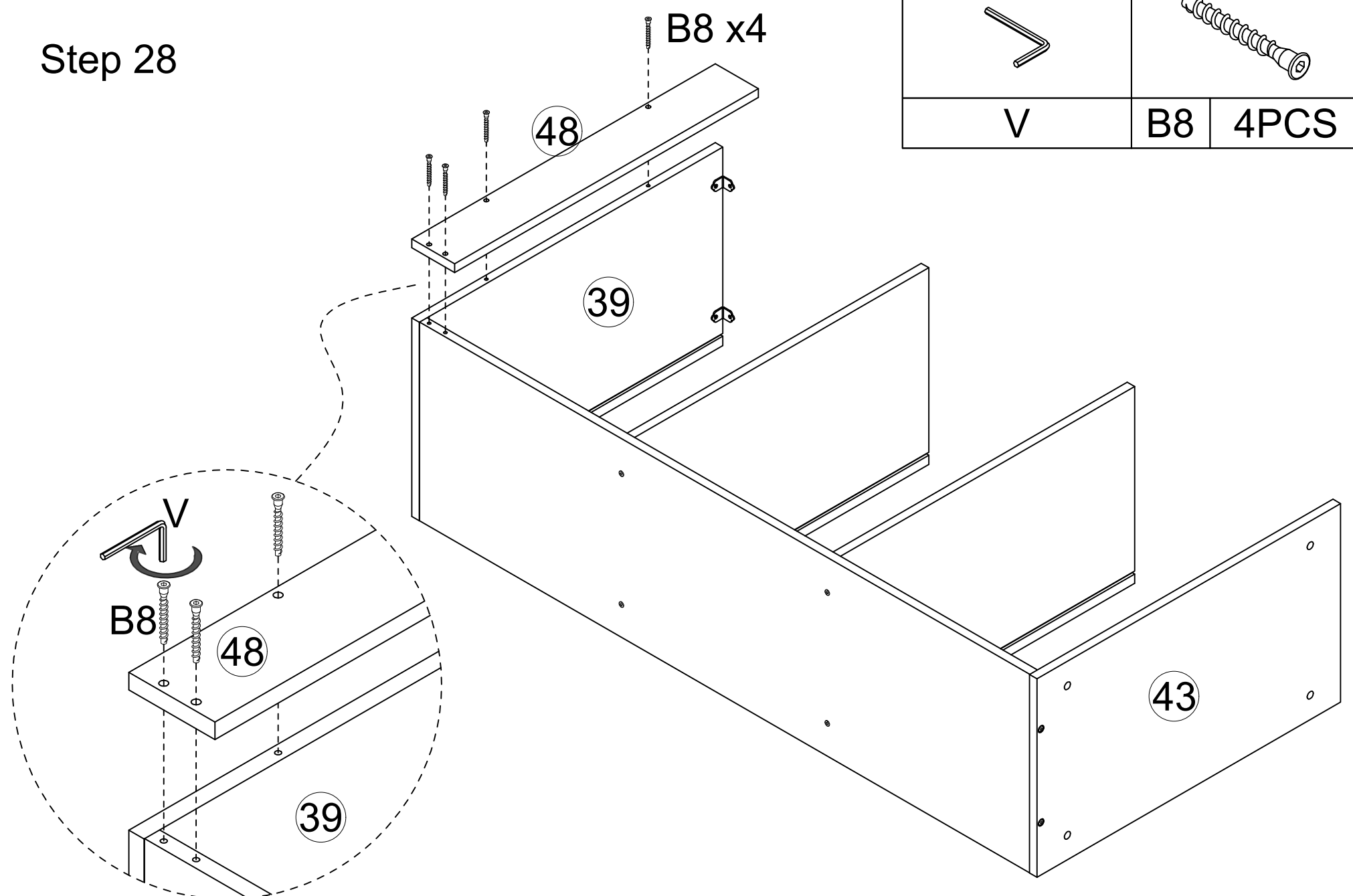
Step 27

		
V	B8	4PCS



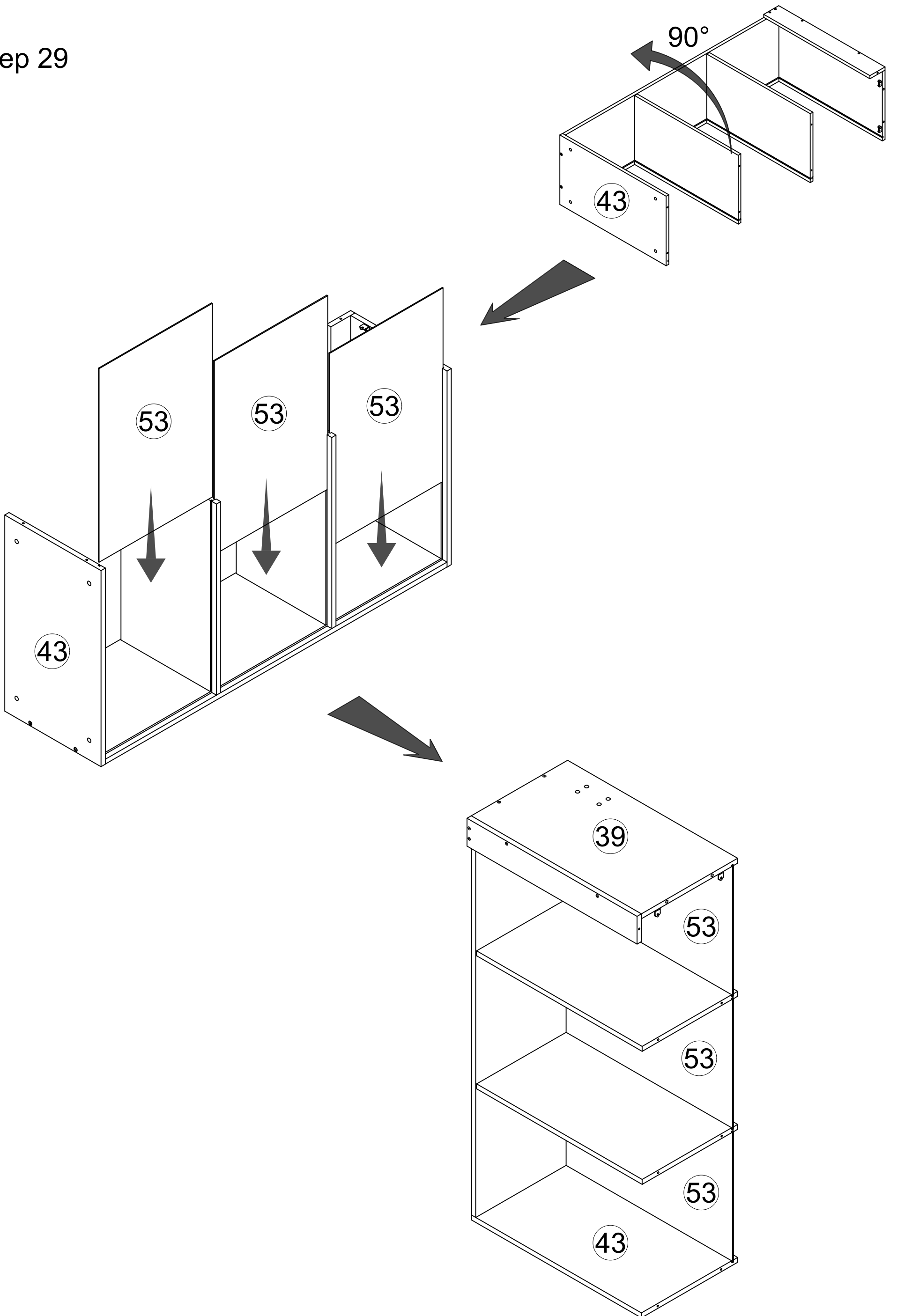
Step 28

		
V	B8	4PCS



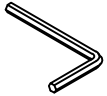
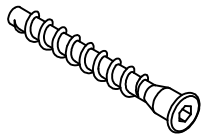
# Assemble

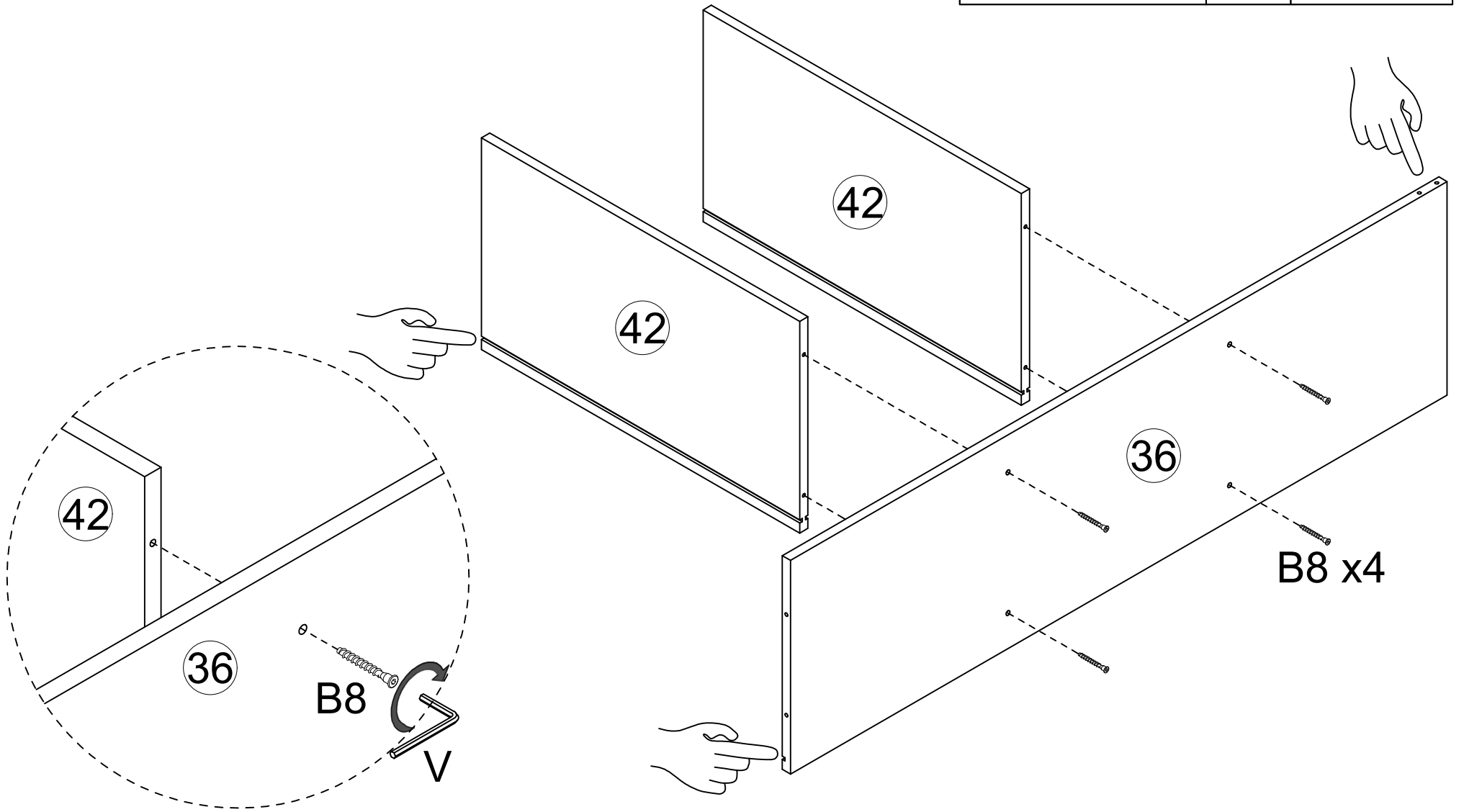
Step 29



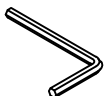
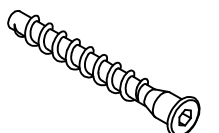
# Assemble

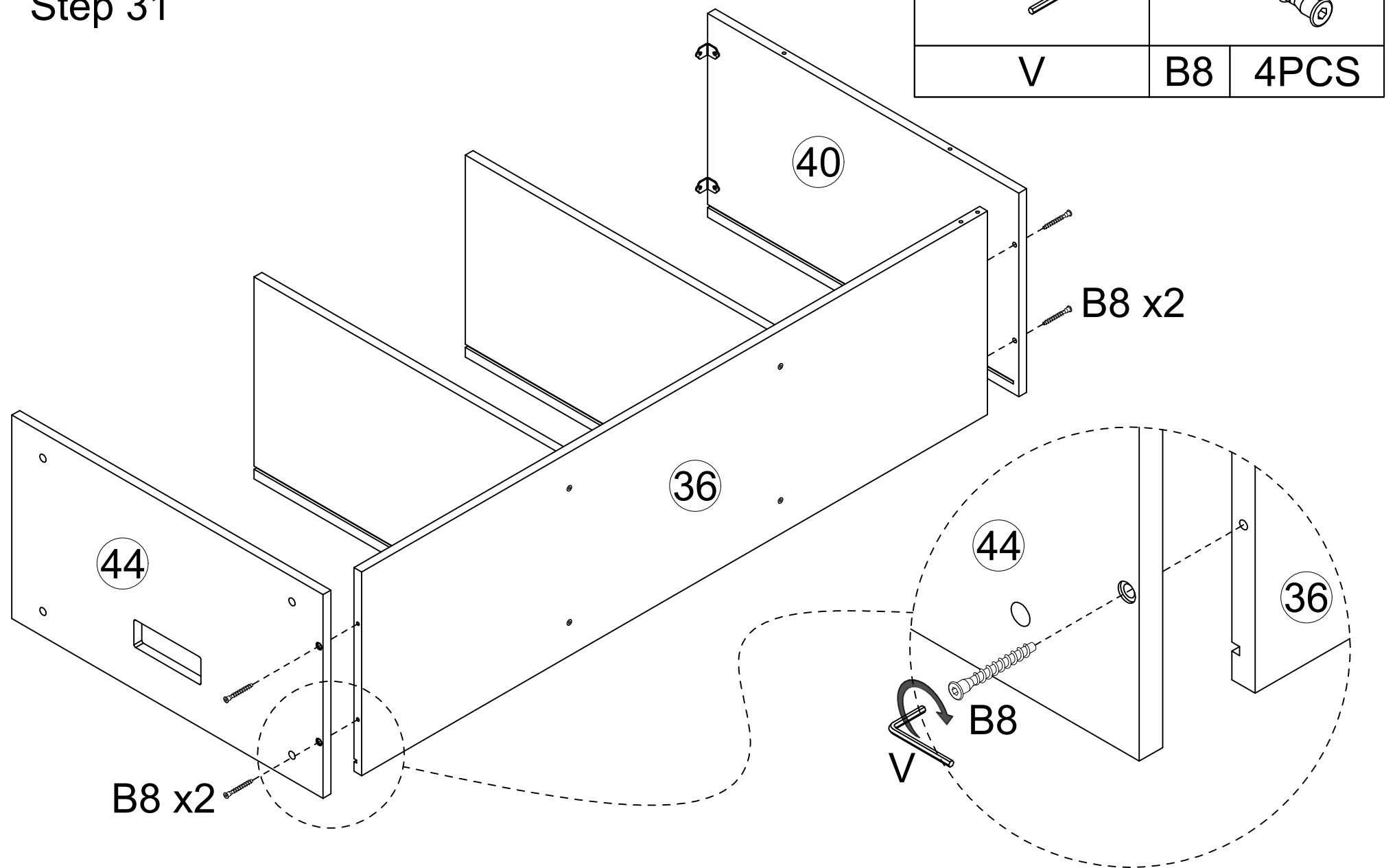
Step 30

		
V	B8	4PCS



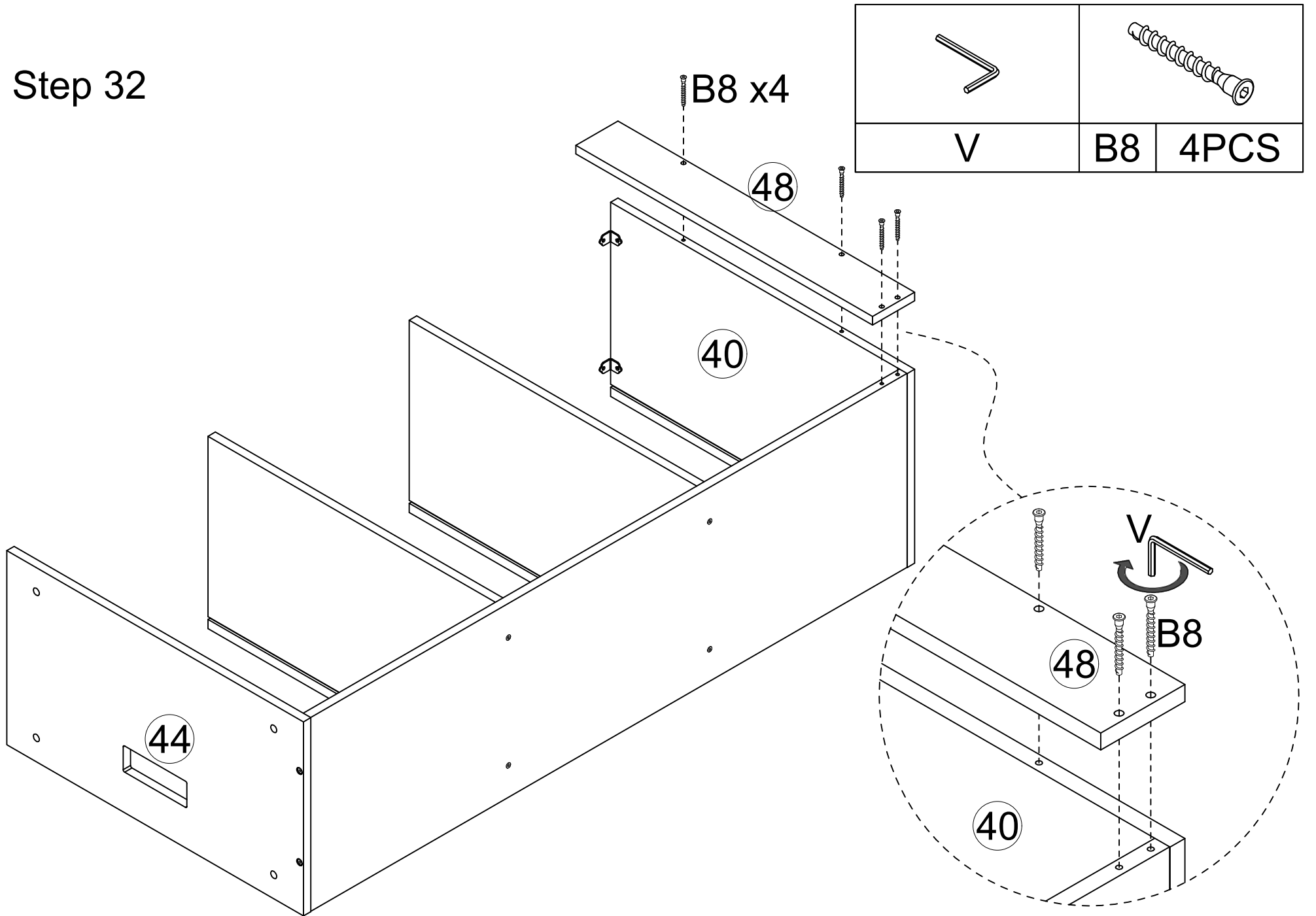
Step 31

		
V	B8	4PCS

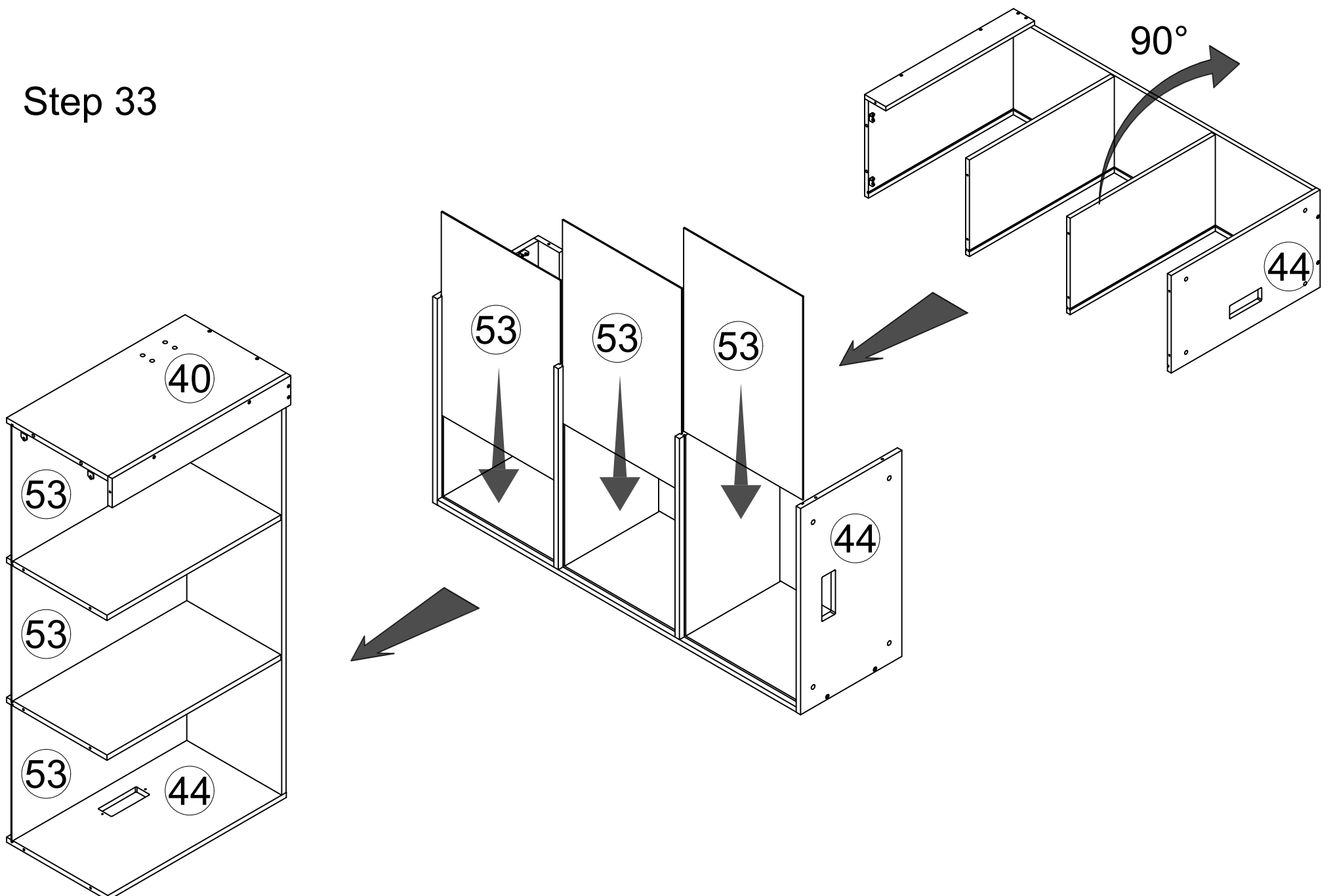


# Assemble

Step 32

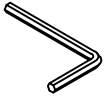
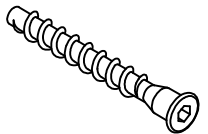


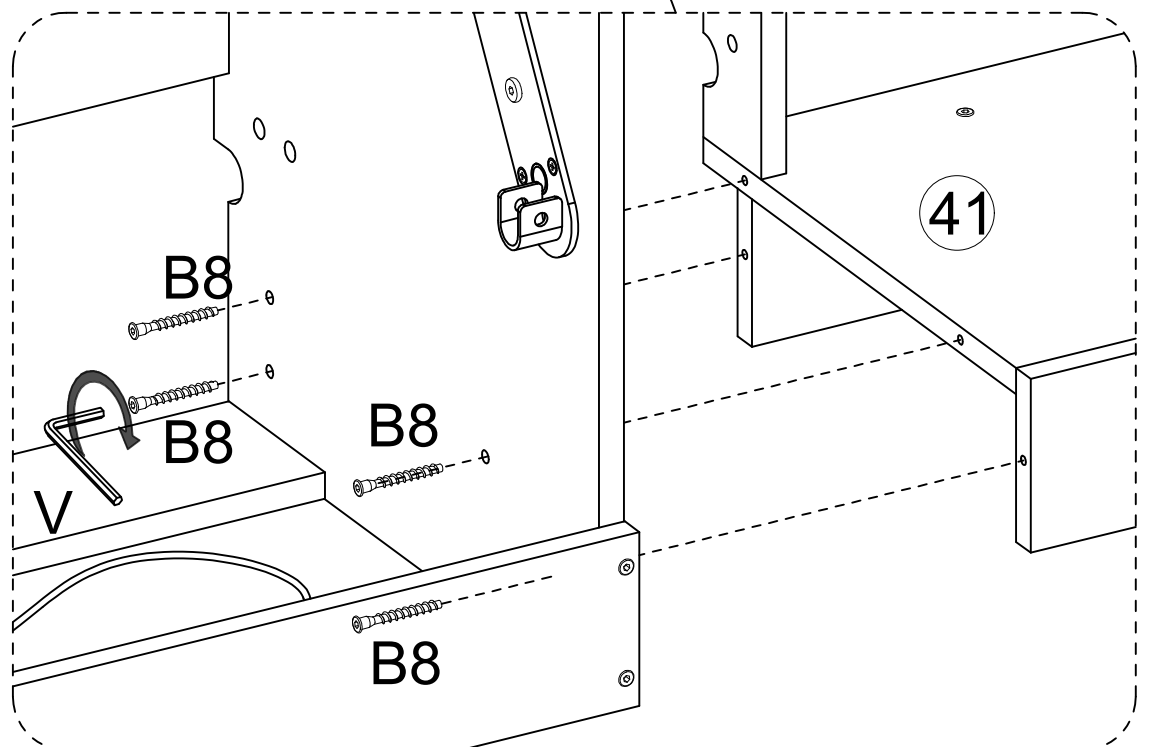
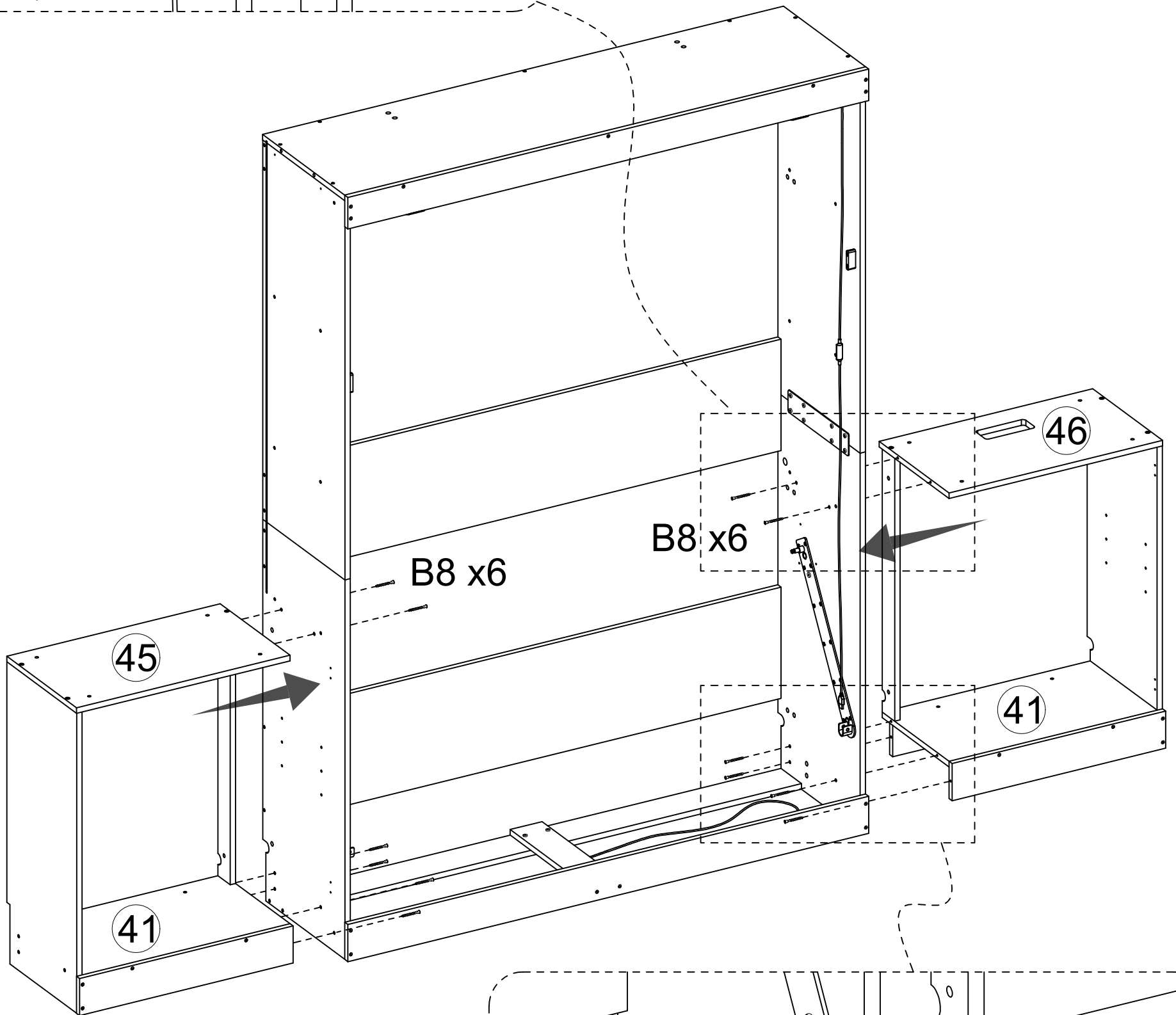
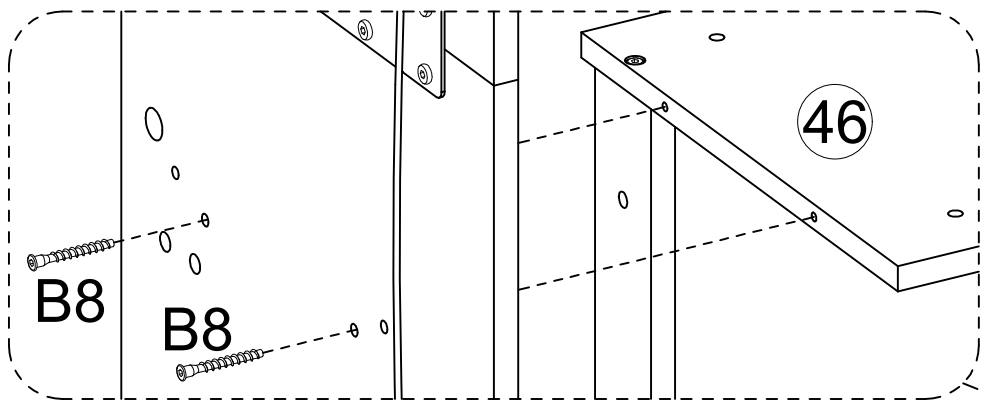
Step 33



# Assemble

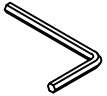
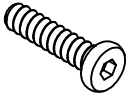
Step 34

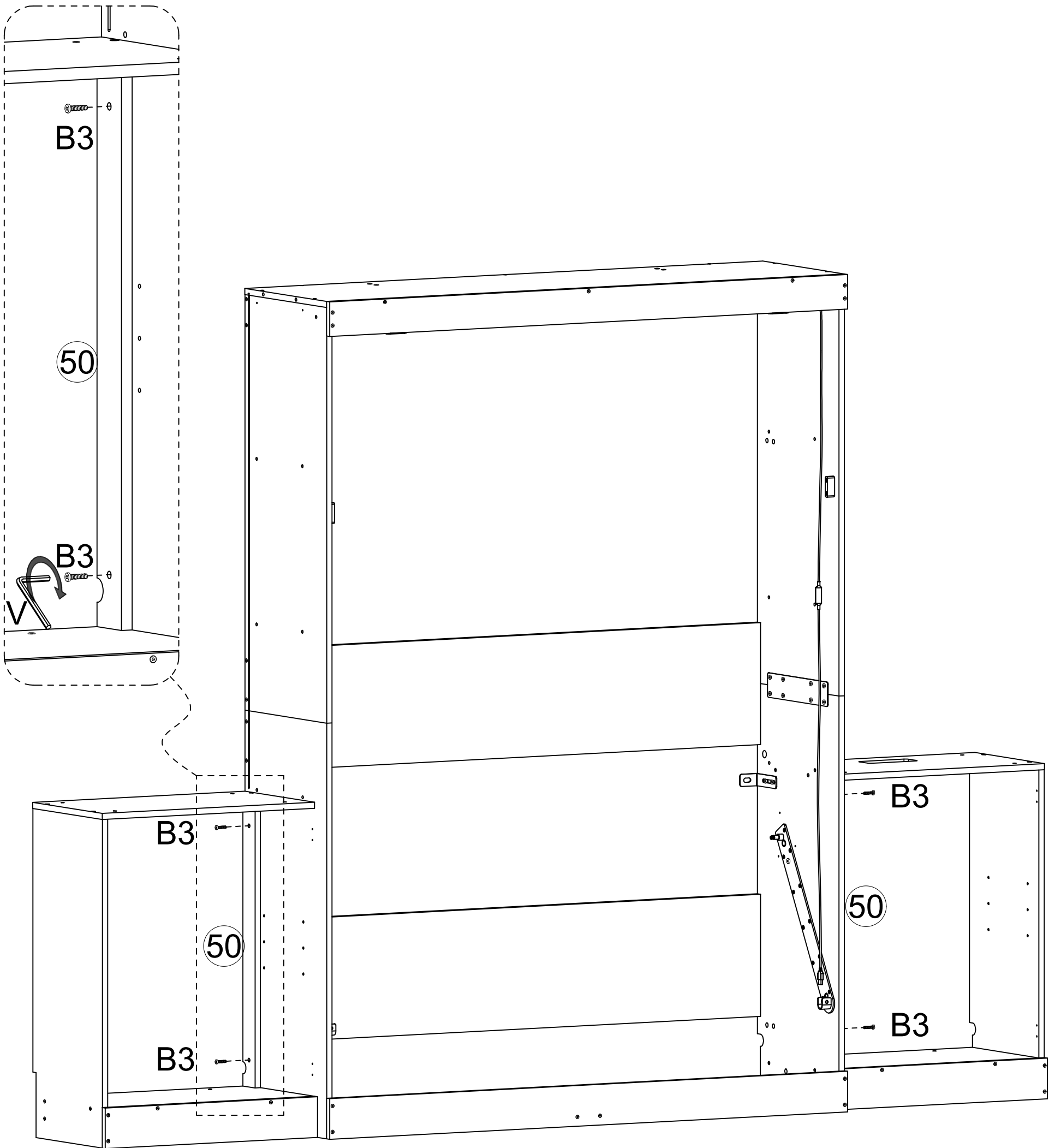
	
V	B8 12PCS



# Assemble

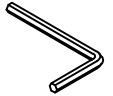
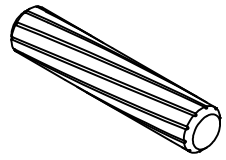
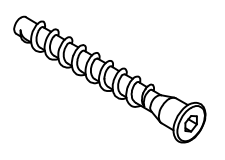
Step 35

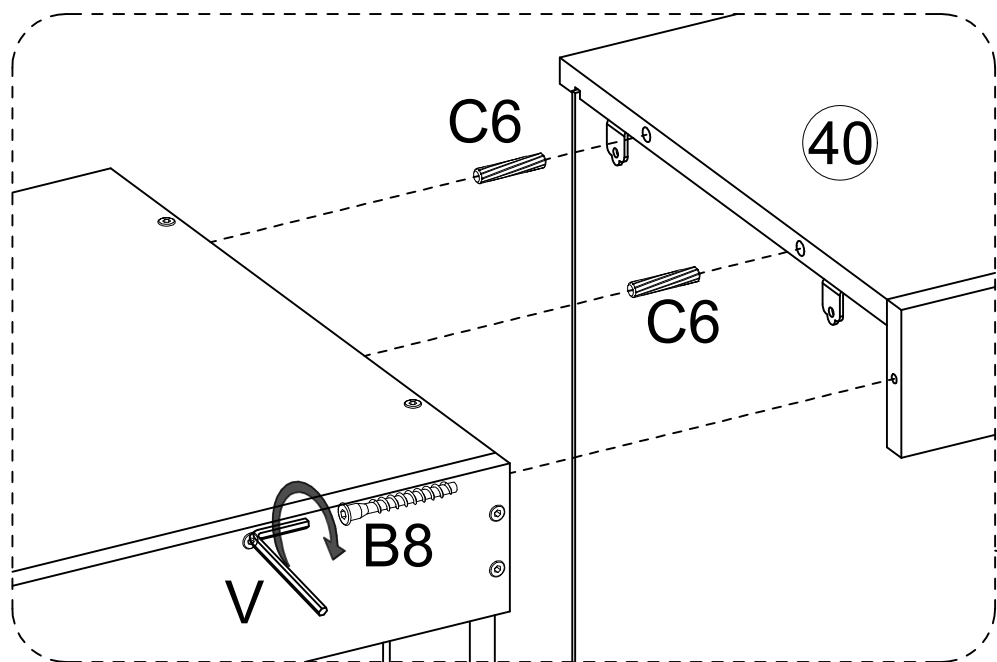
	
V	B3 4PCS



# Assemble

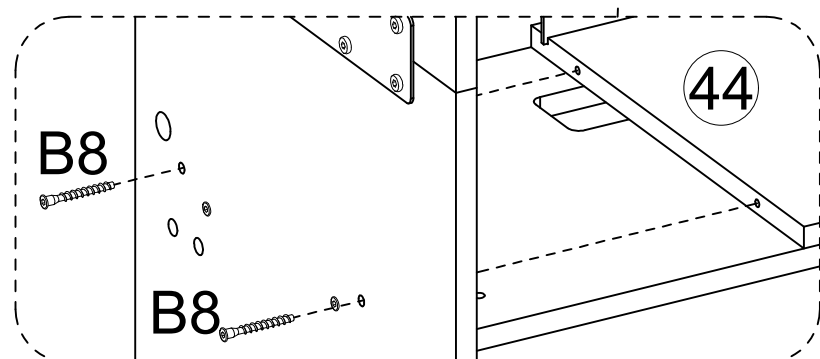
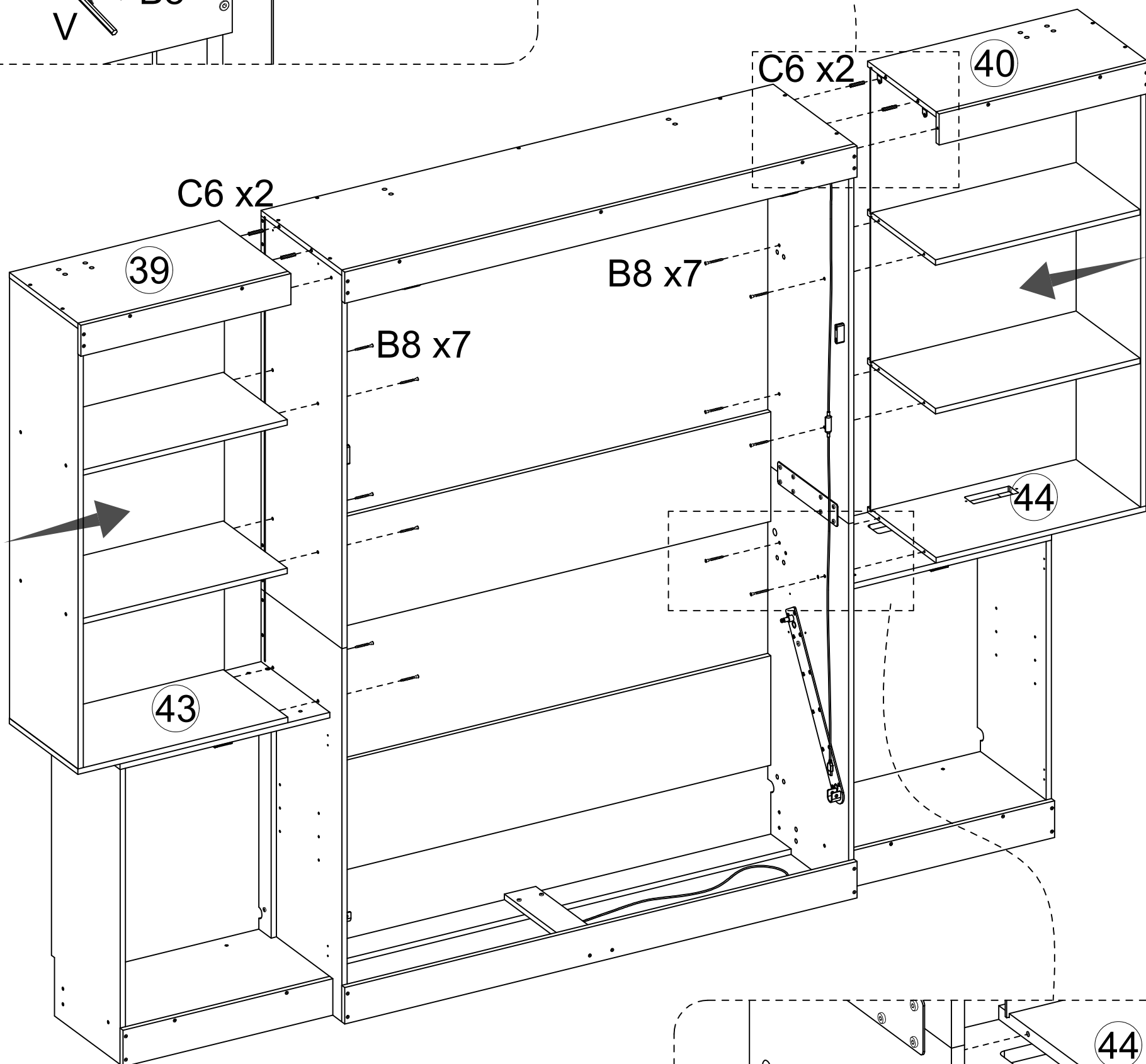
Step 36

		
V	C6 4PCS	B8 14PCS



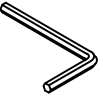
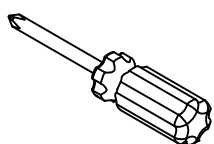


**⚠ WARNING**

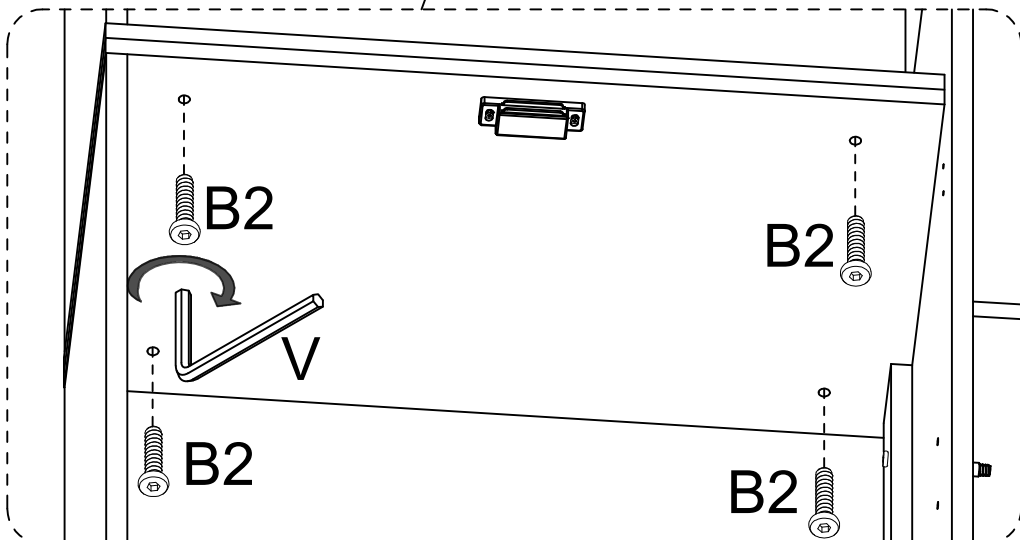
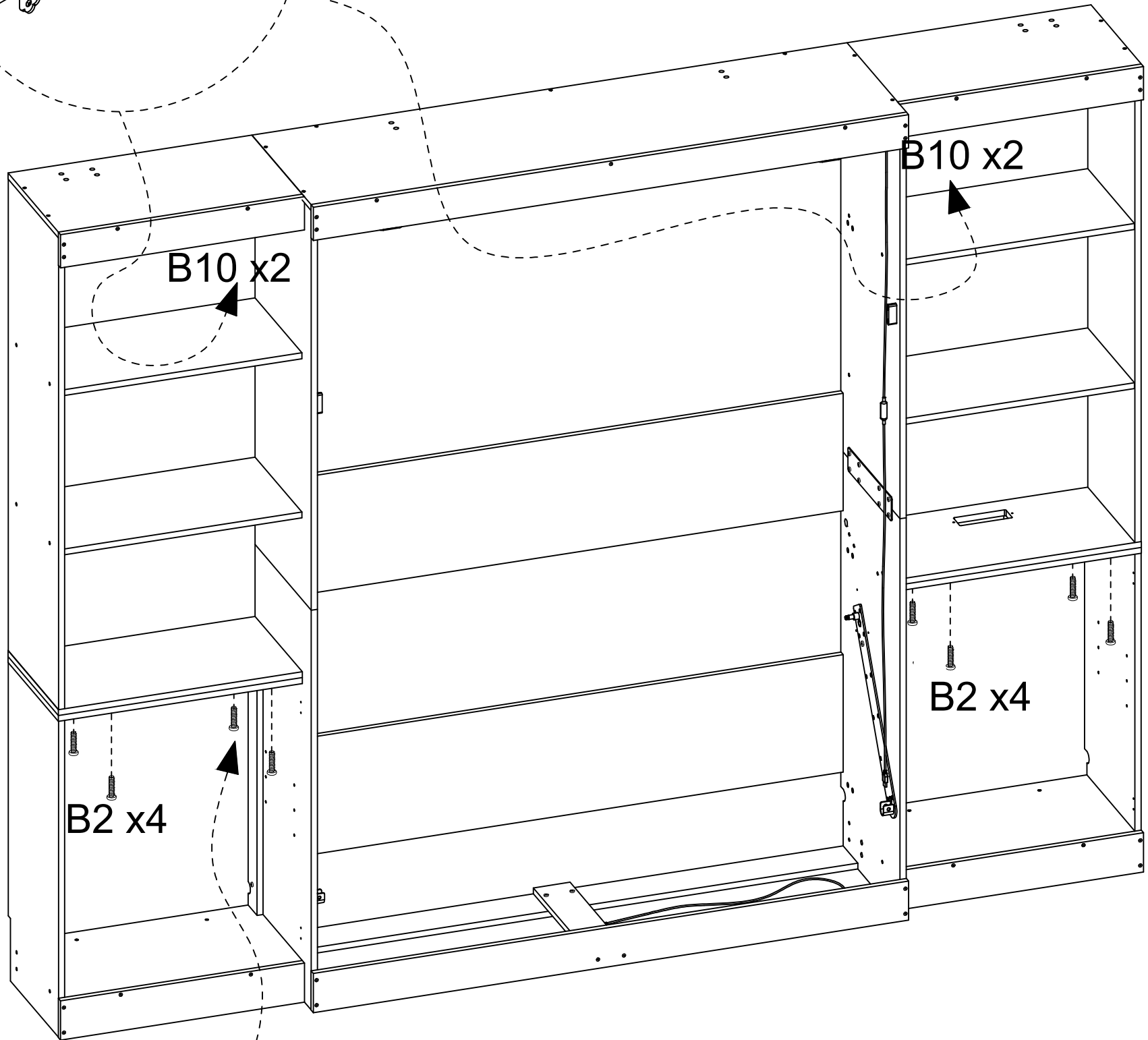
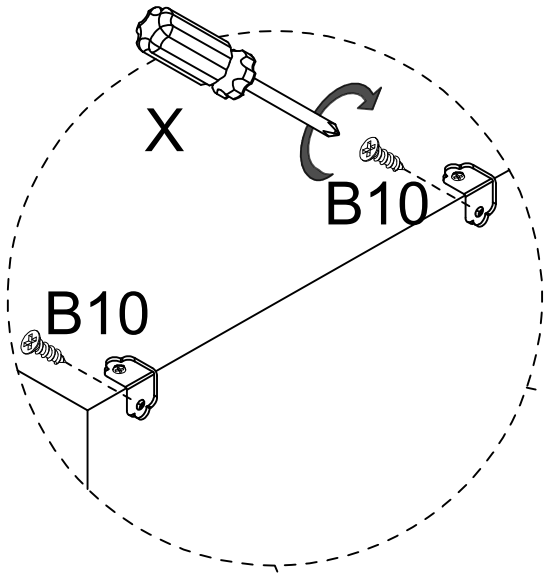
When installing the left and right upper cabinets, components 43# and 44# panels must be supported to prevent damage.



# Assemble

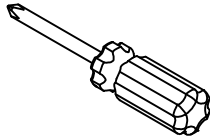
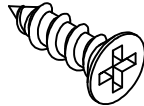
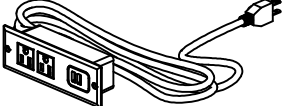
Step 37

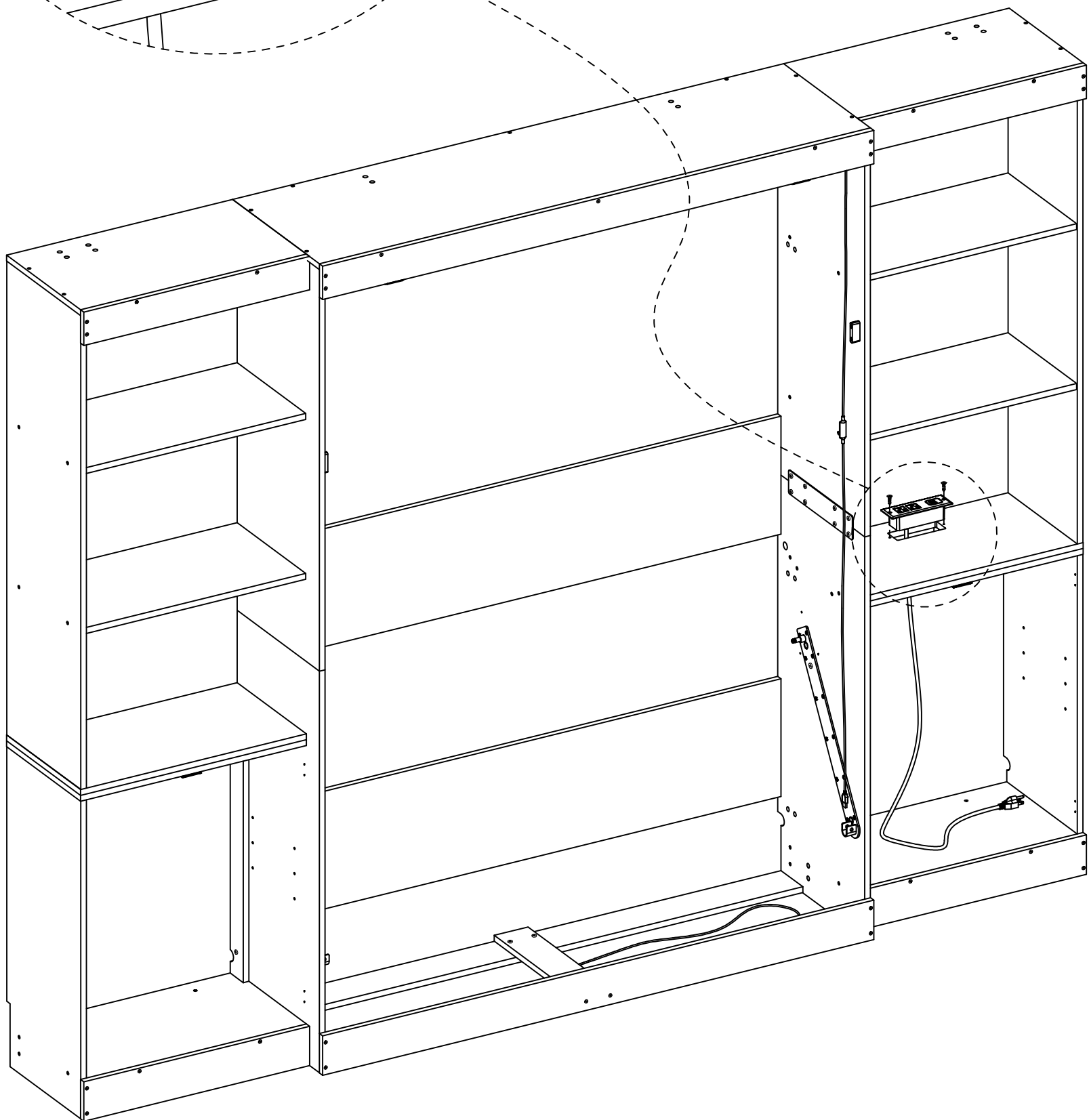
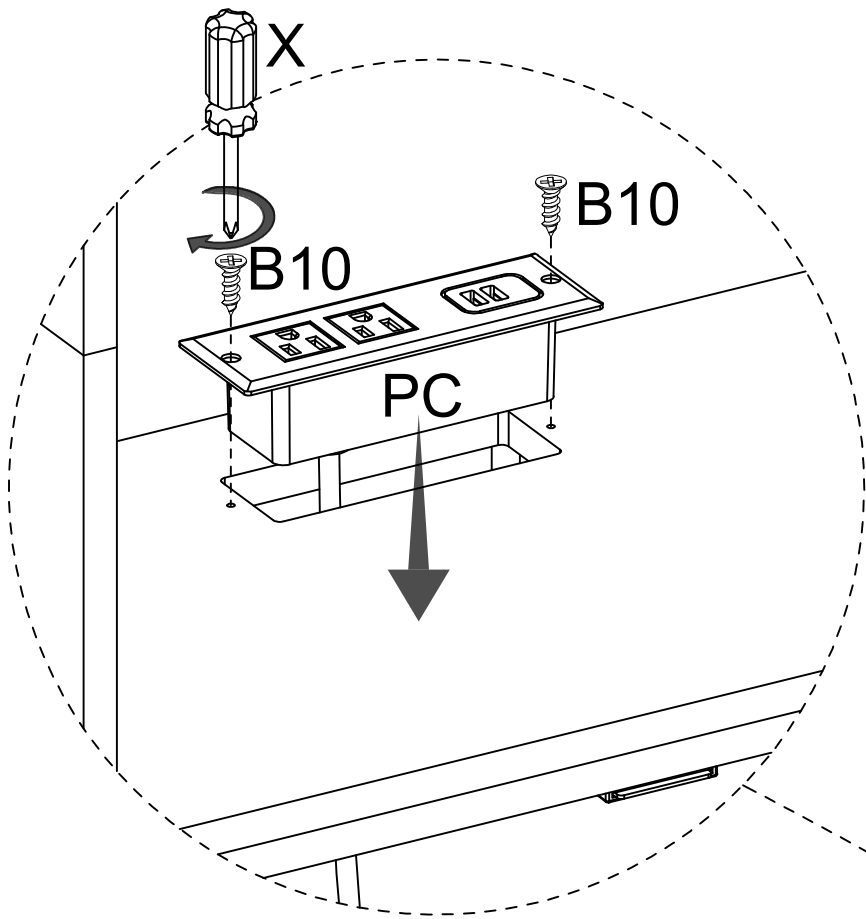
			
V	X	B10 4PCS	B2 8PCS



# Assemble

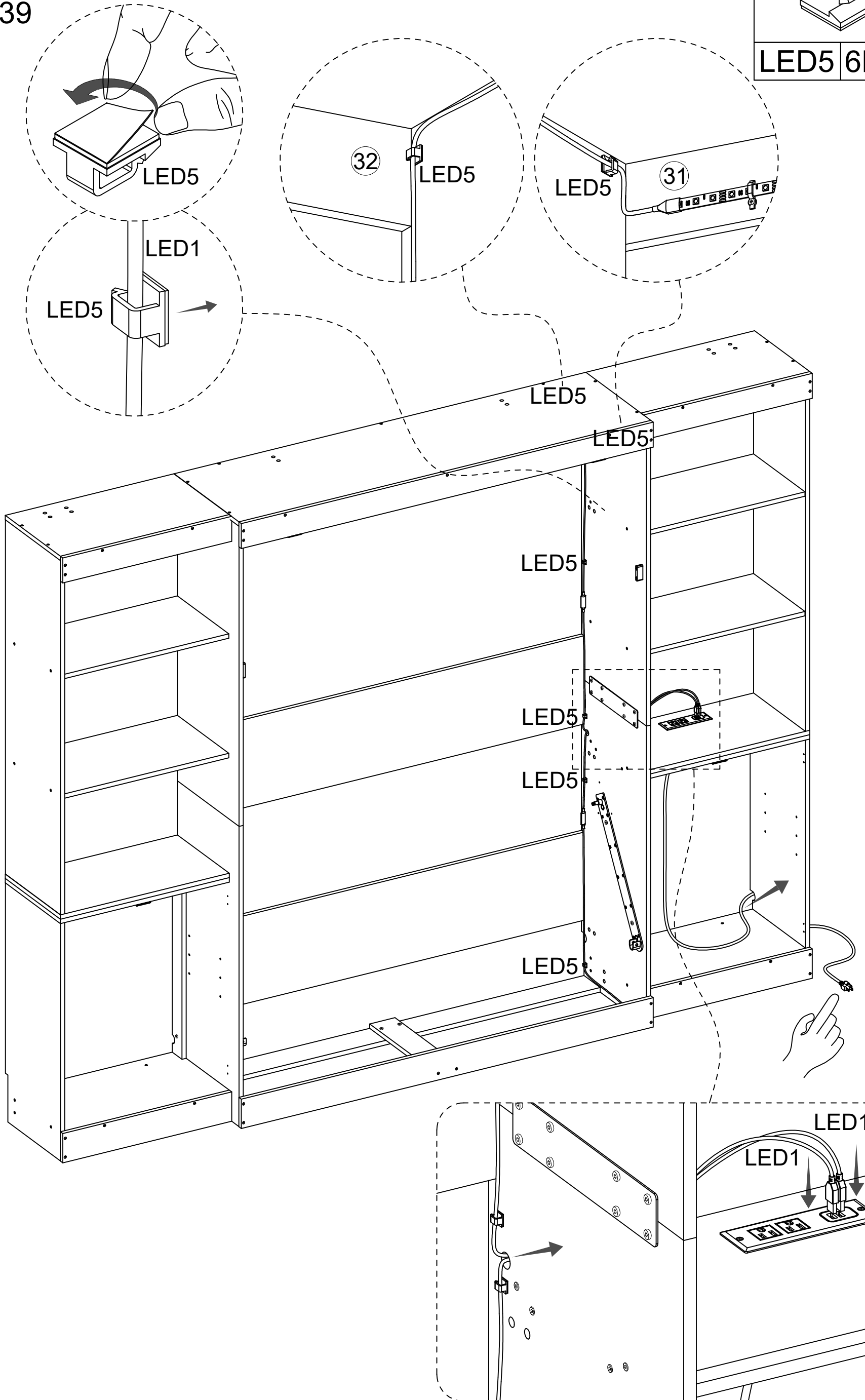
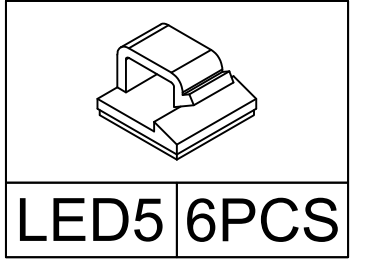
Step 38

				
X	B10	2PCS	PC	1PC



# Assemble

Step 39



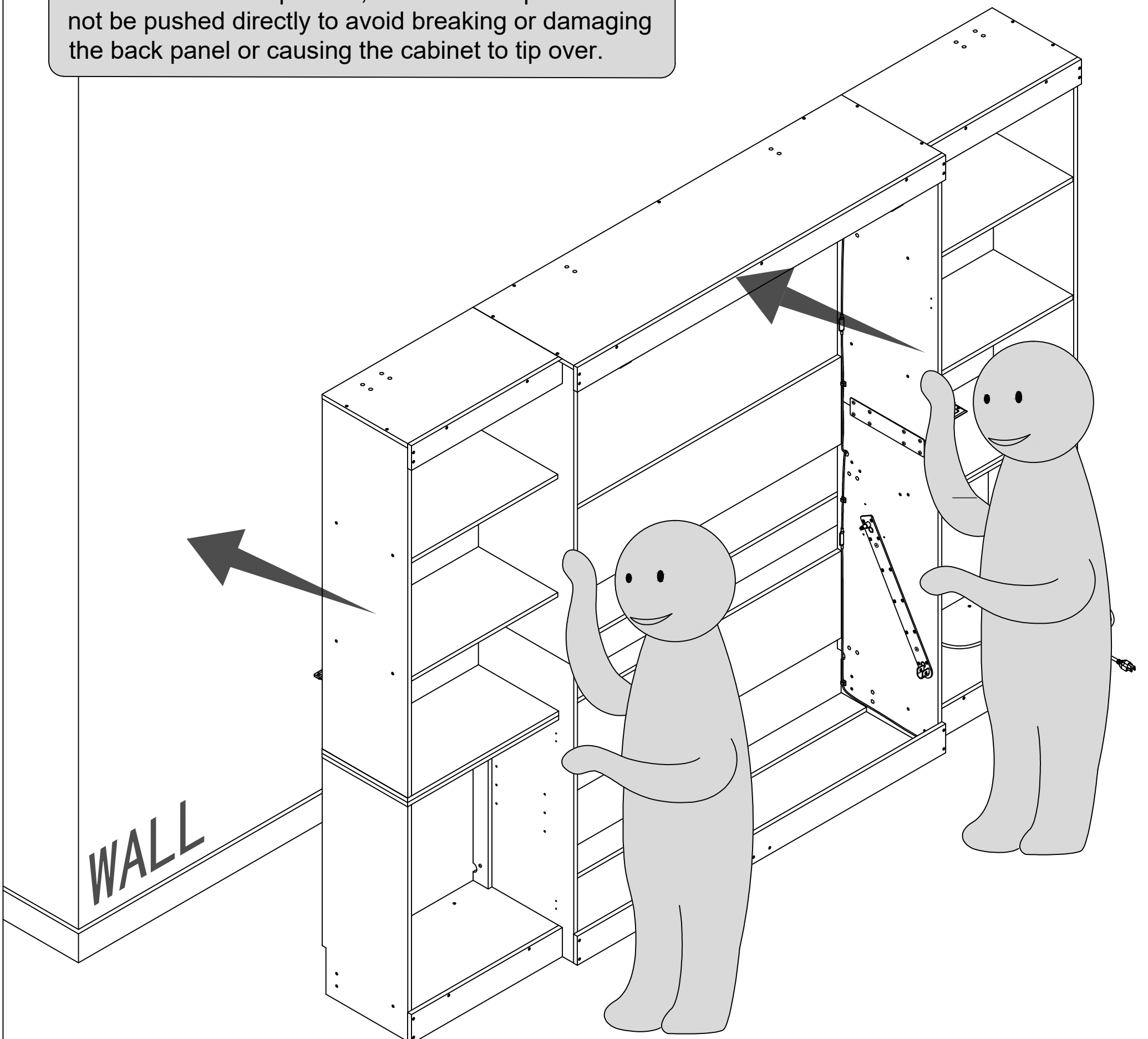
# Assemble

## Step 40

### **⚠ WARNING**

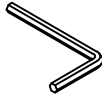
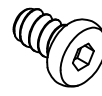
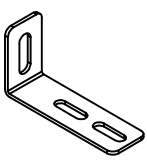
a, When installing the cabinet, the upper and lower four wall-mounted hardware must be installed along the wall. The L-shaped iron sheet can be installed upside down according to actual requirements to ensure that the wall-mounted hardware of the lower cabinet can be locked onto the load-bearing keel strip.

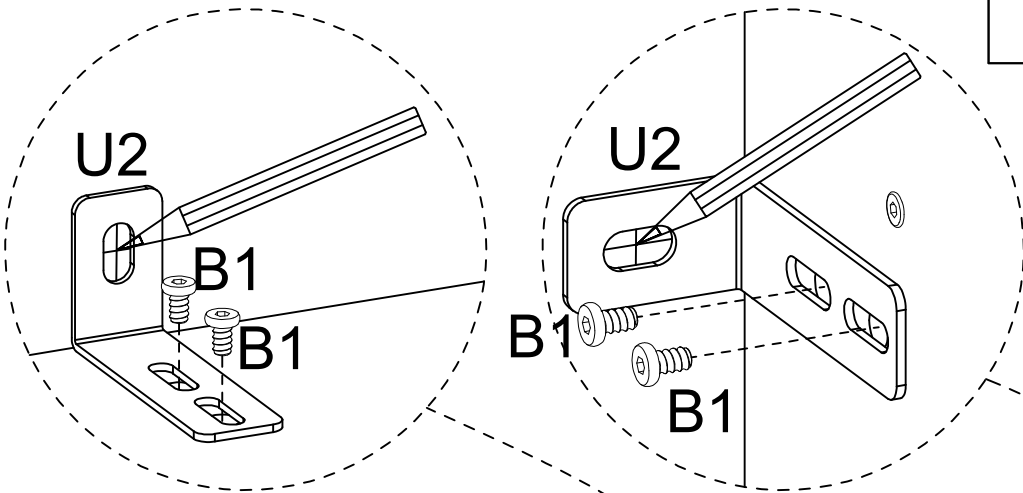
b, When moving the cabinet against the wall, two people should work together. Only the side panels of the cabinet can be pushed, and the back panel must not be pushed directly to avoid breaking or damaging the back panel or causing the cabinet to tip over.



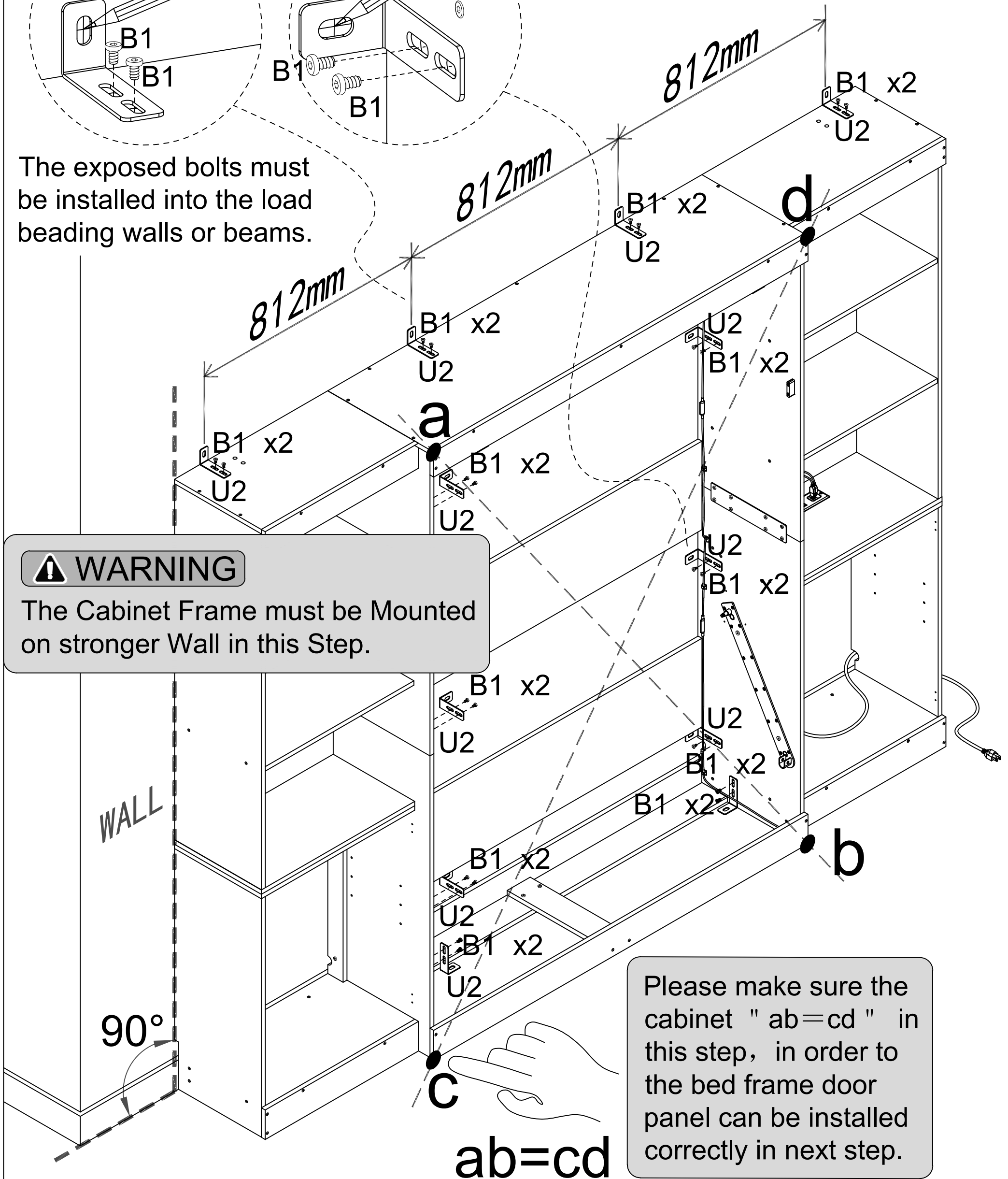
# Assemble

## Step 41

		
V	B1 12PCS	U2 10PCS



The exposed bolts must be installed into the load beading walls or beams.



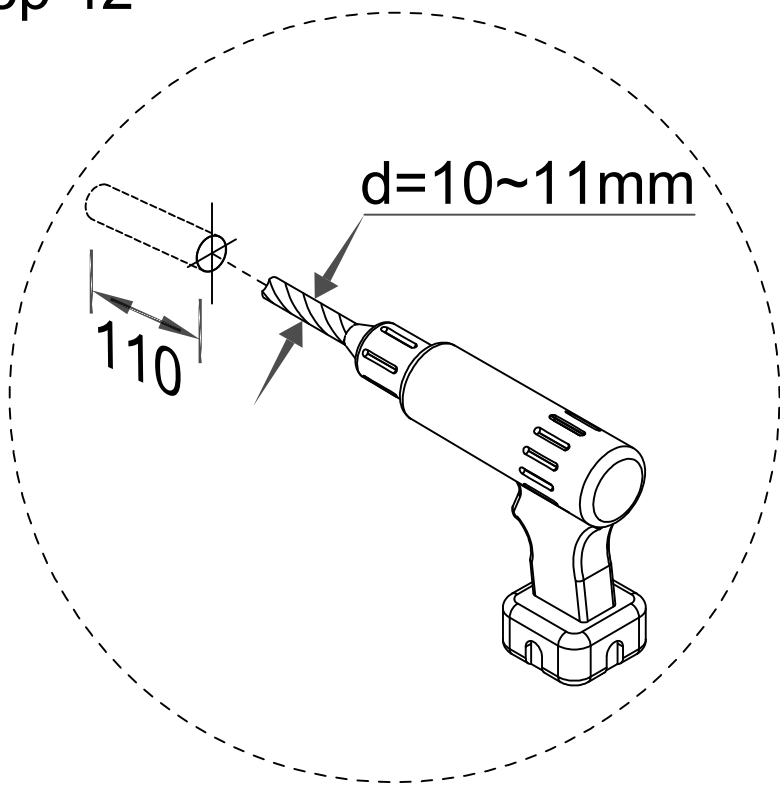
**⚠ WARNING**  
The Cabinet Frame must be Mounted on stronger Wall in this Step.

Please make sure the cabinet "ab=cd" in this step, in order to the bed frame door panel can be installed correctly in next step.

$ab=cd$

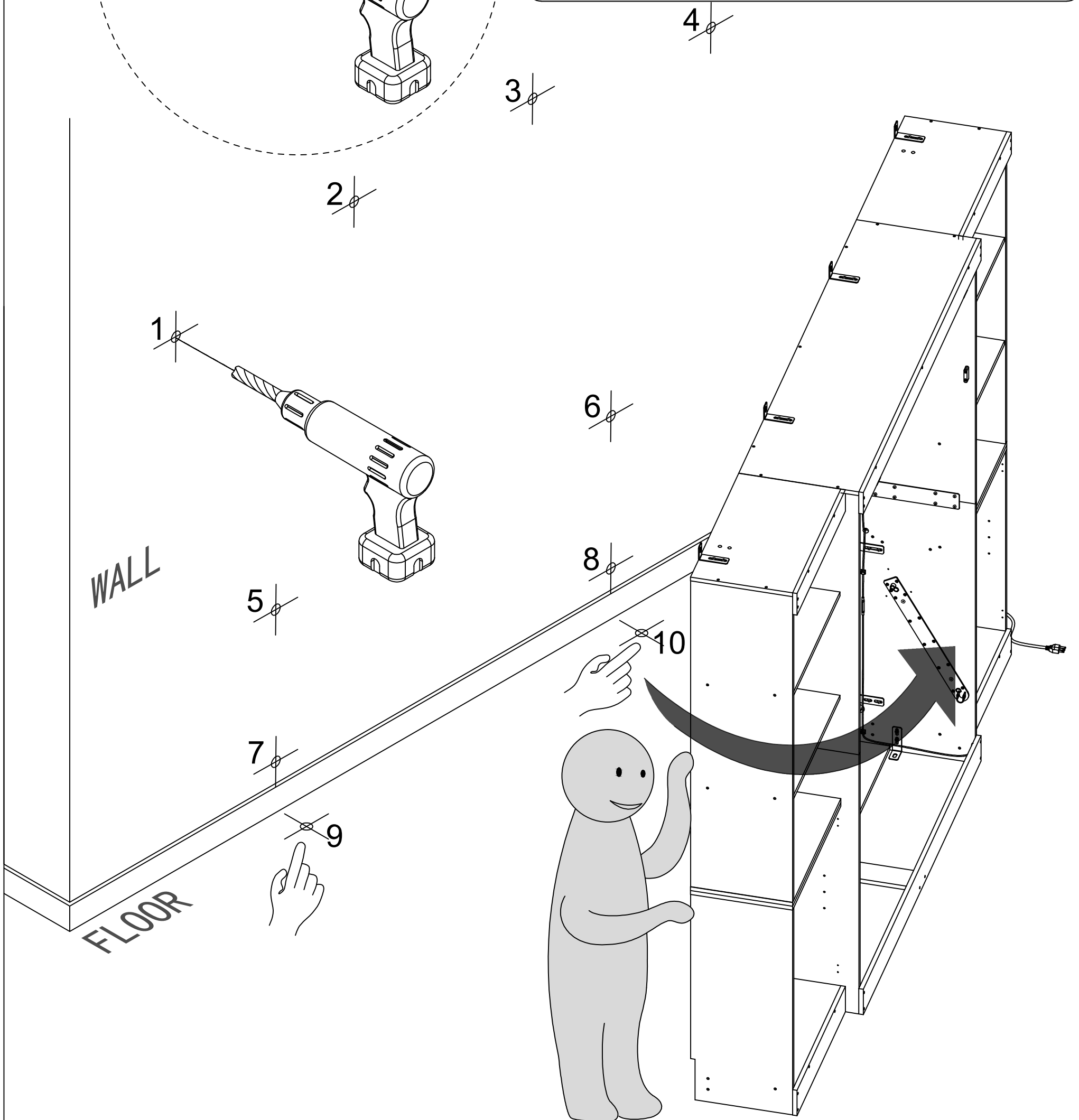
# Assemble

## Step 42



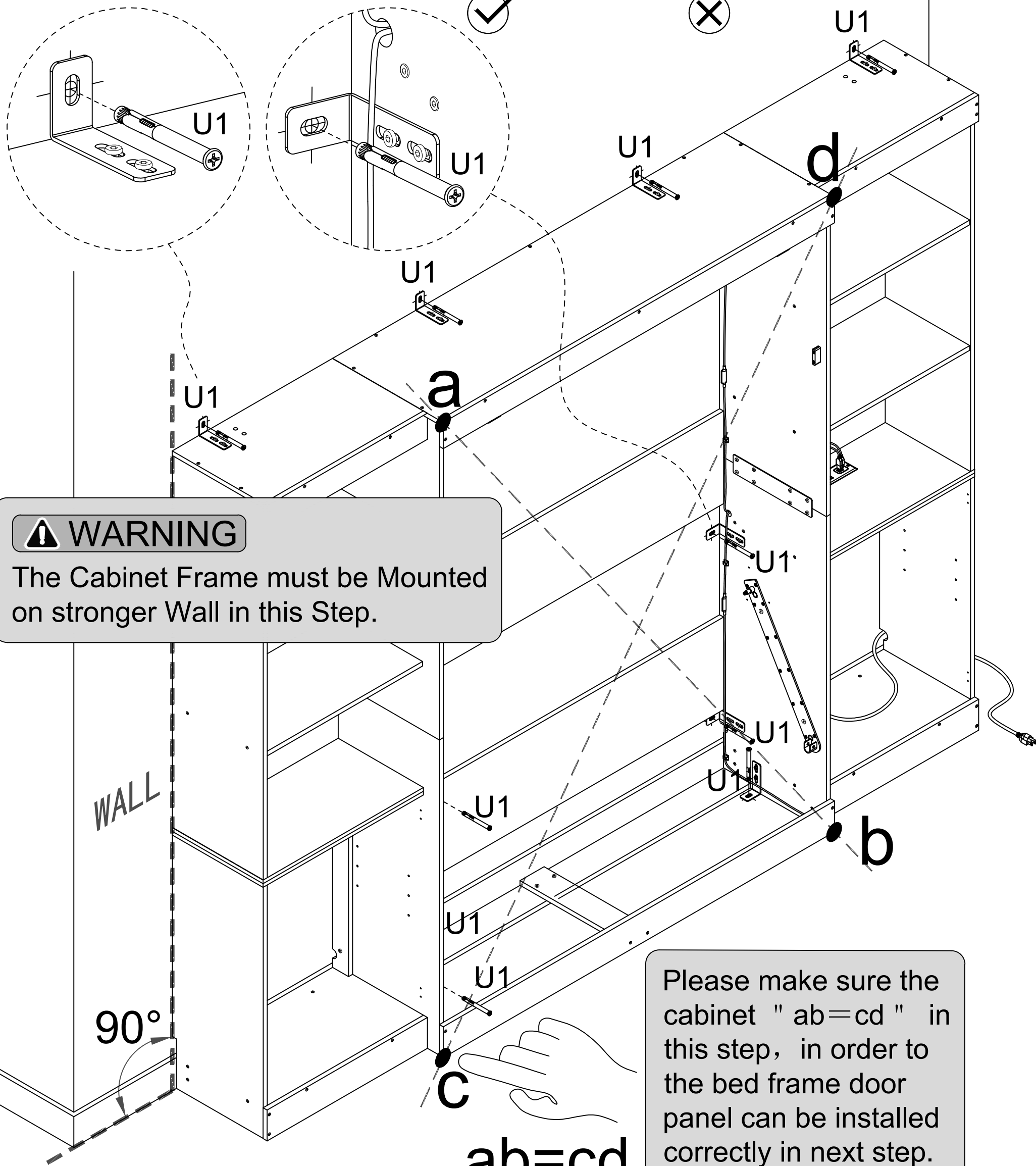
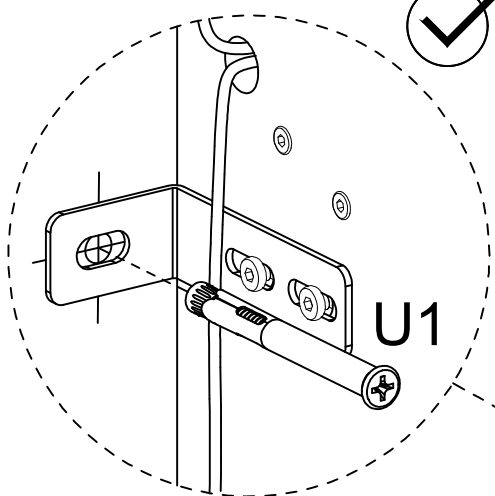
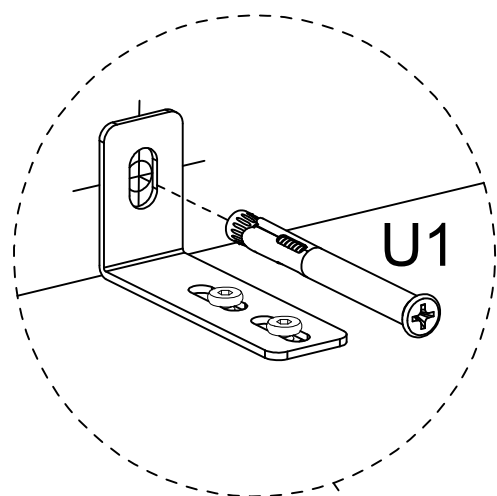
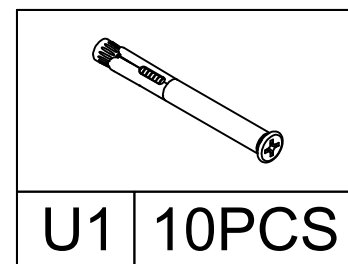
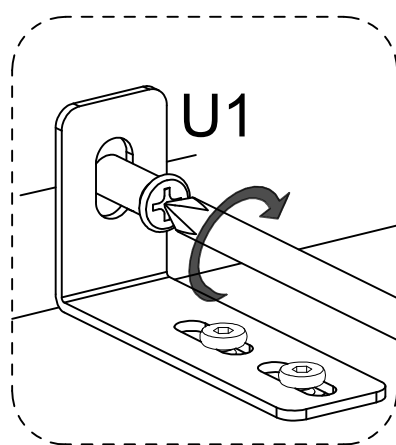
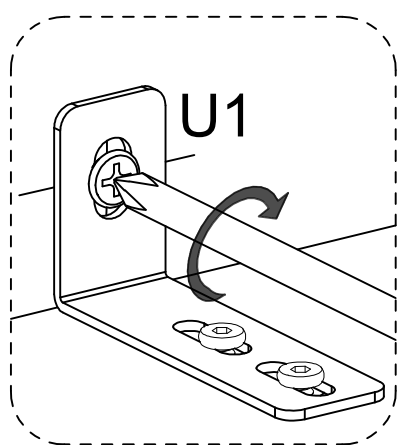
### **⚠ WARNING**

The hole must be drilled using only a 10mm to 11mm diameter drill bit, and the depth must be maintained between 100mm and 110mm to ensure the expansion bolt functions correctly.



# Assemble

Step 43



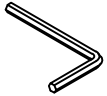

**⚠ WARNING**  
The Cabinet Frame must be Mounted on stronger Wall in this Step.

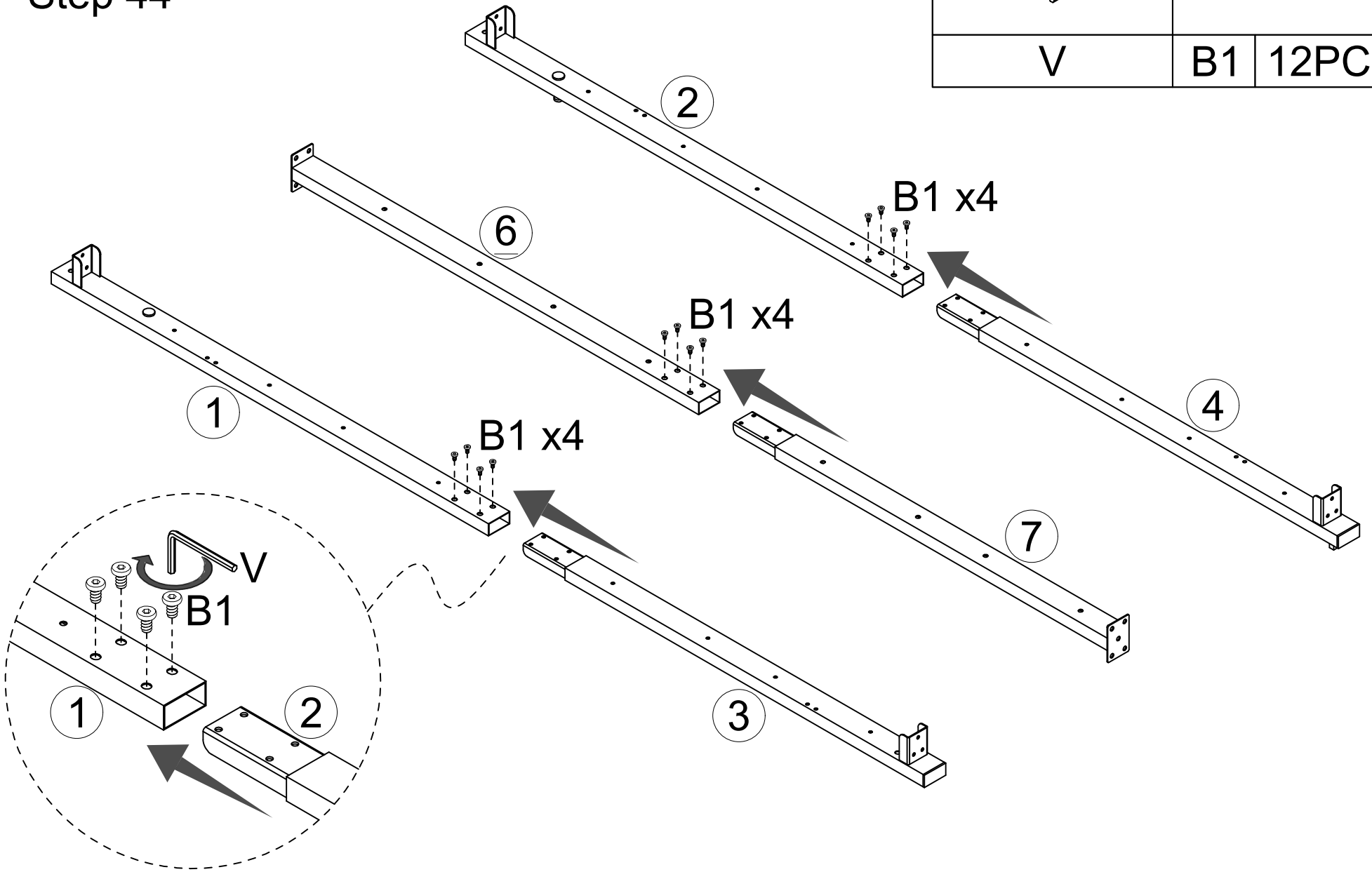
Please make sure the cabinet "ab=cd" in this step, in order to the bed frame door panel can be installed correctly in next step.

**ab=cd**

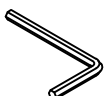

# Assemble

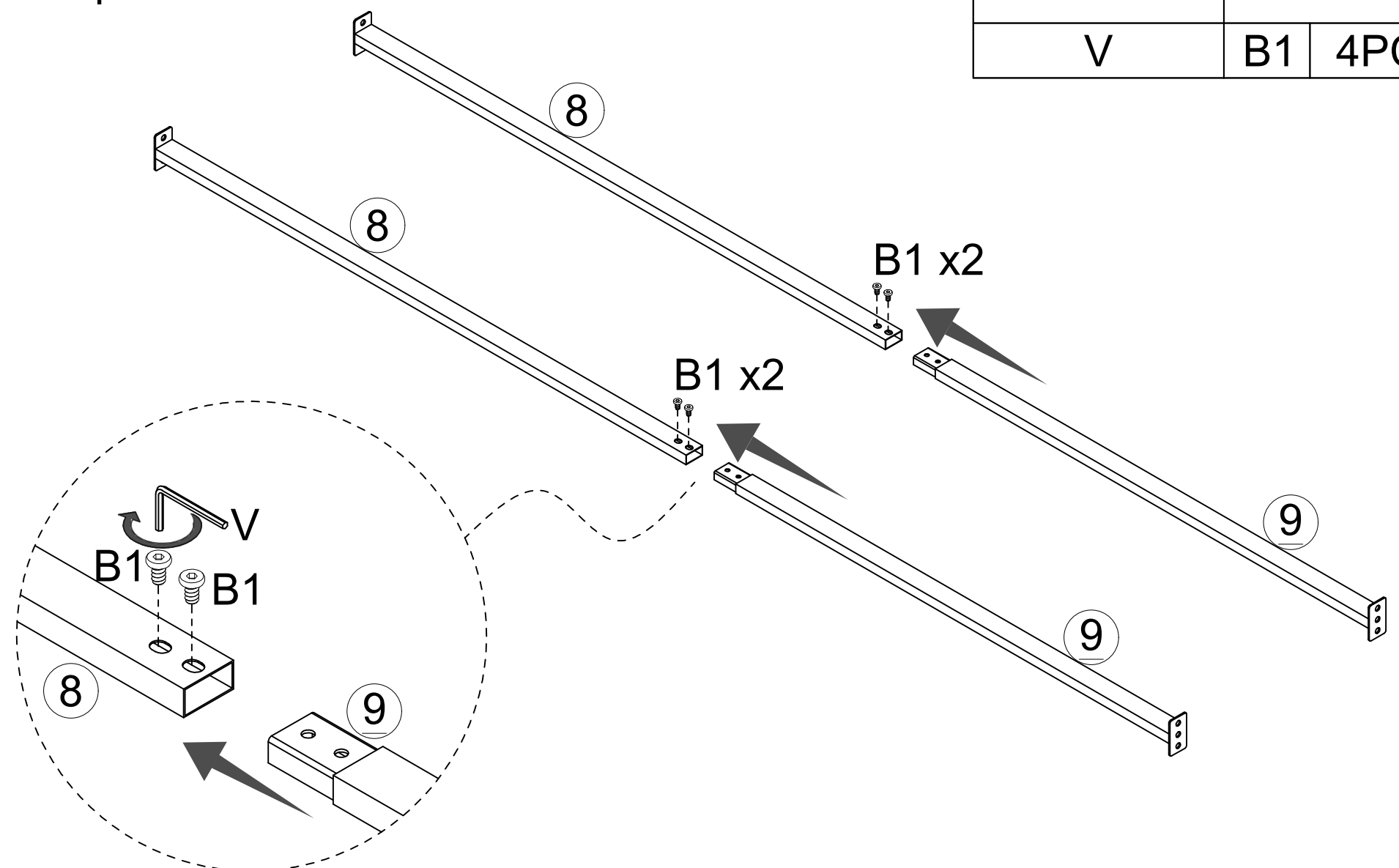
Step 44

		
V	B1	12PCS



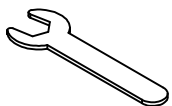
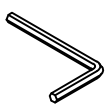

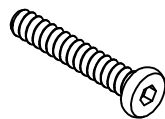
Step 45

		
V	B1	4PCS

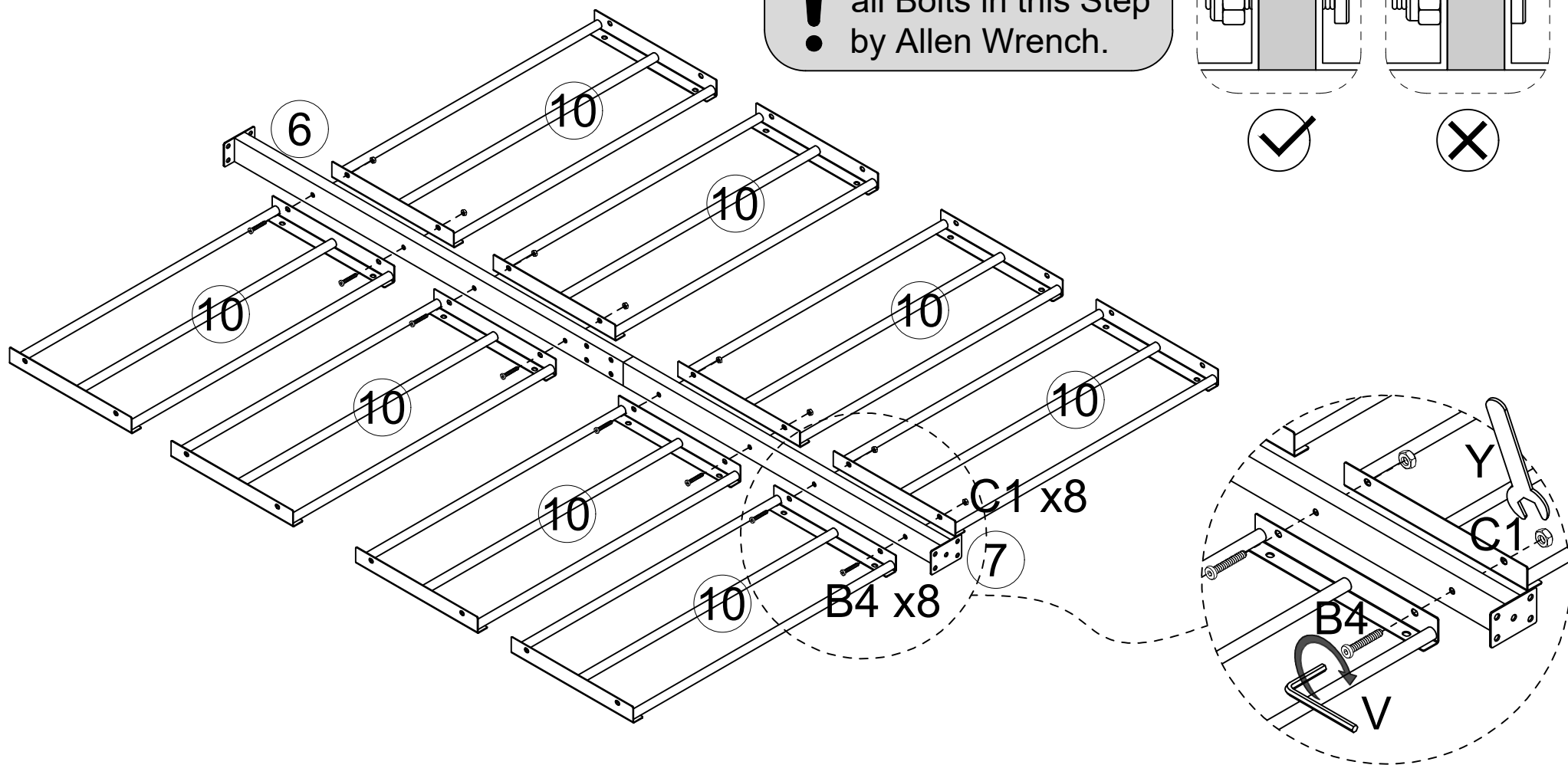
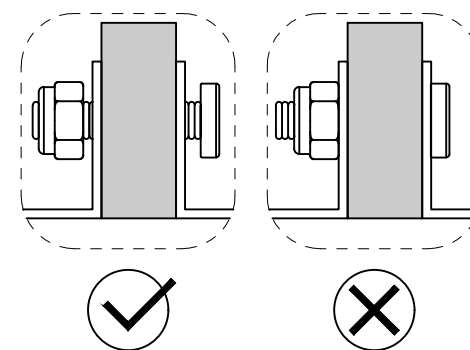


# Assemble

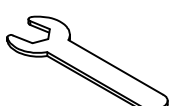
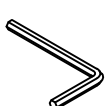

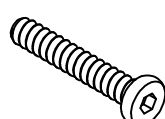
Step 46

			
Y	V	C1 8PCS	B4 8PCS

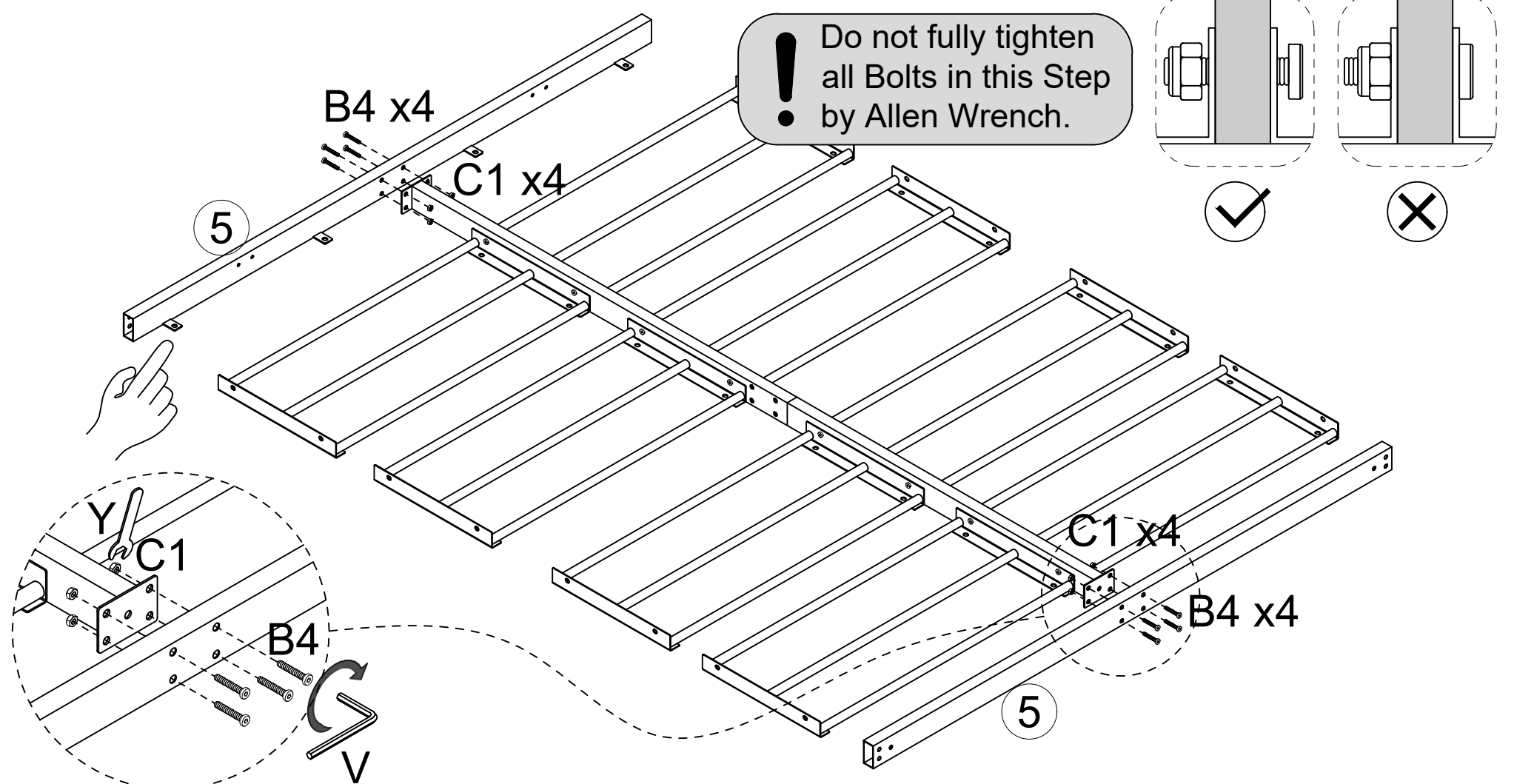
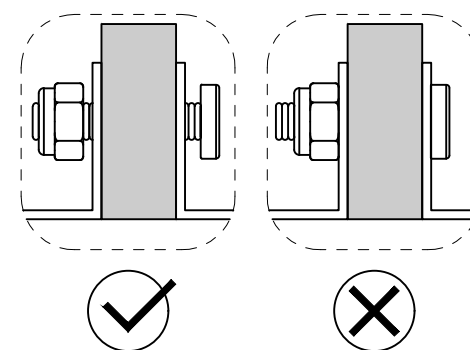
**!** Do not fully tighten all Bolts in this Step by Allen Wrench.



Step 47

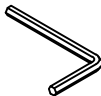

			
Y	V	C1 8PCS	B4 8PCS

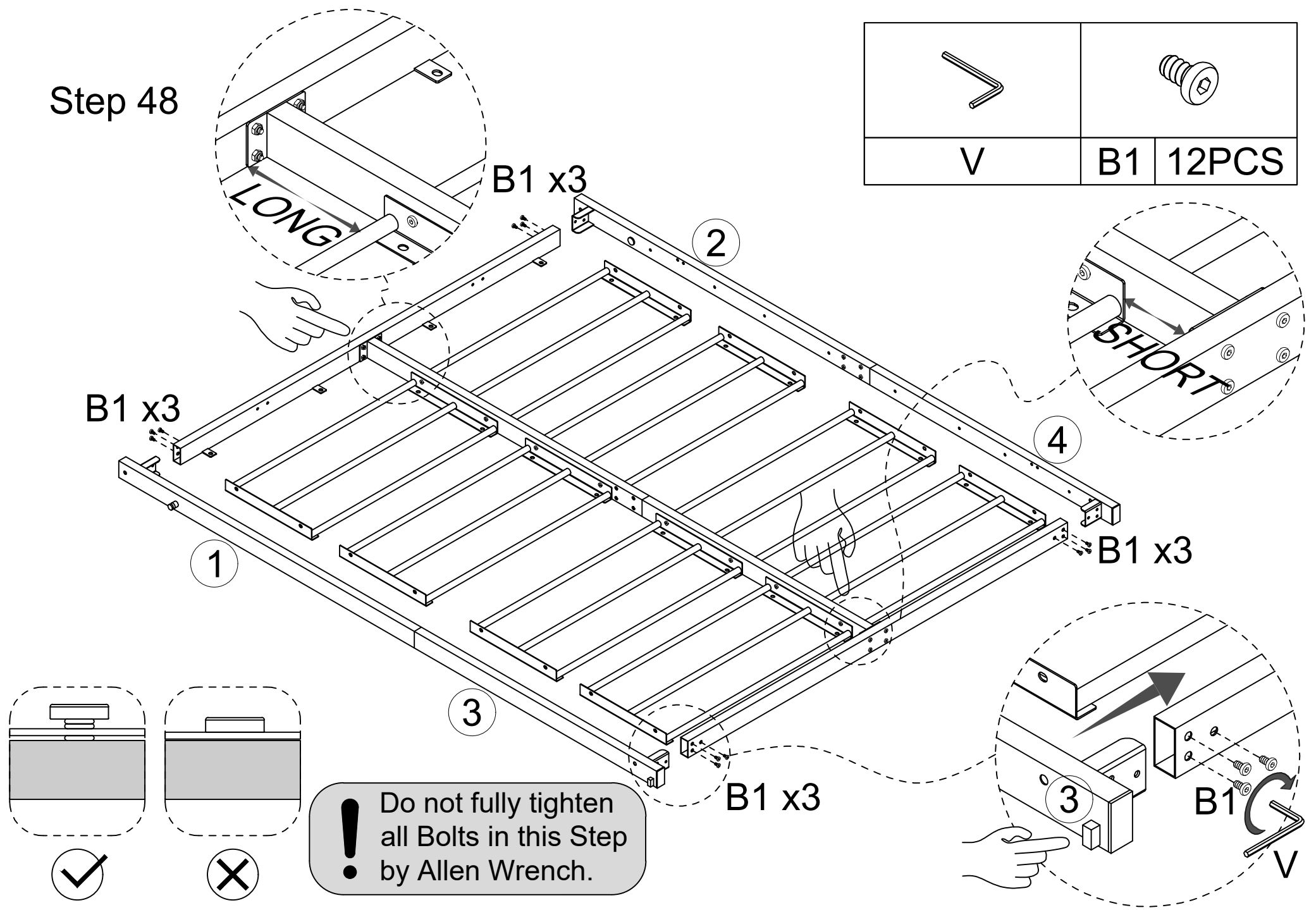
**!** Do not fully tighten all Bolts in this Step by Allen Wrench.



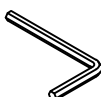

# Assemble

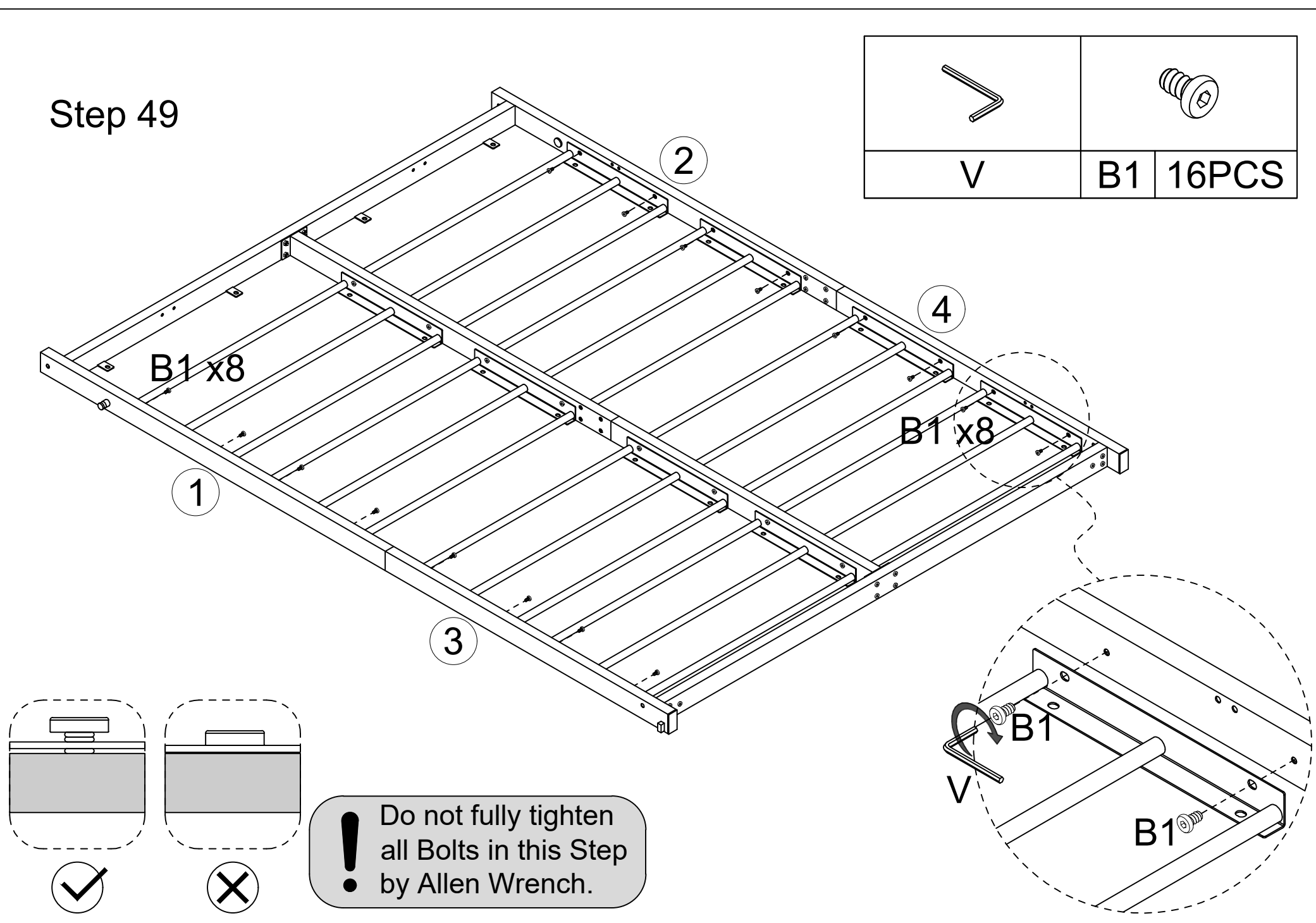
Step 48

	
V	B1 12PCS



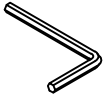
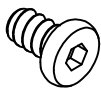
Step 49

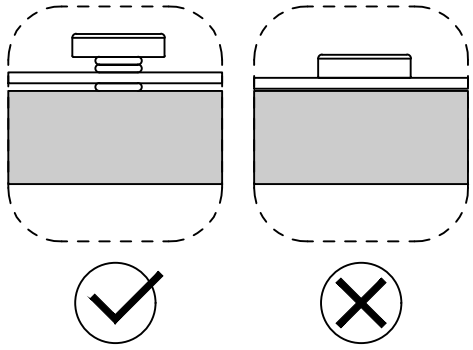
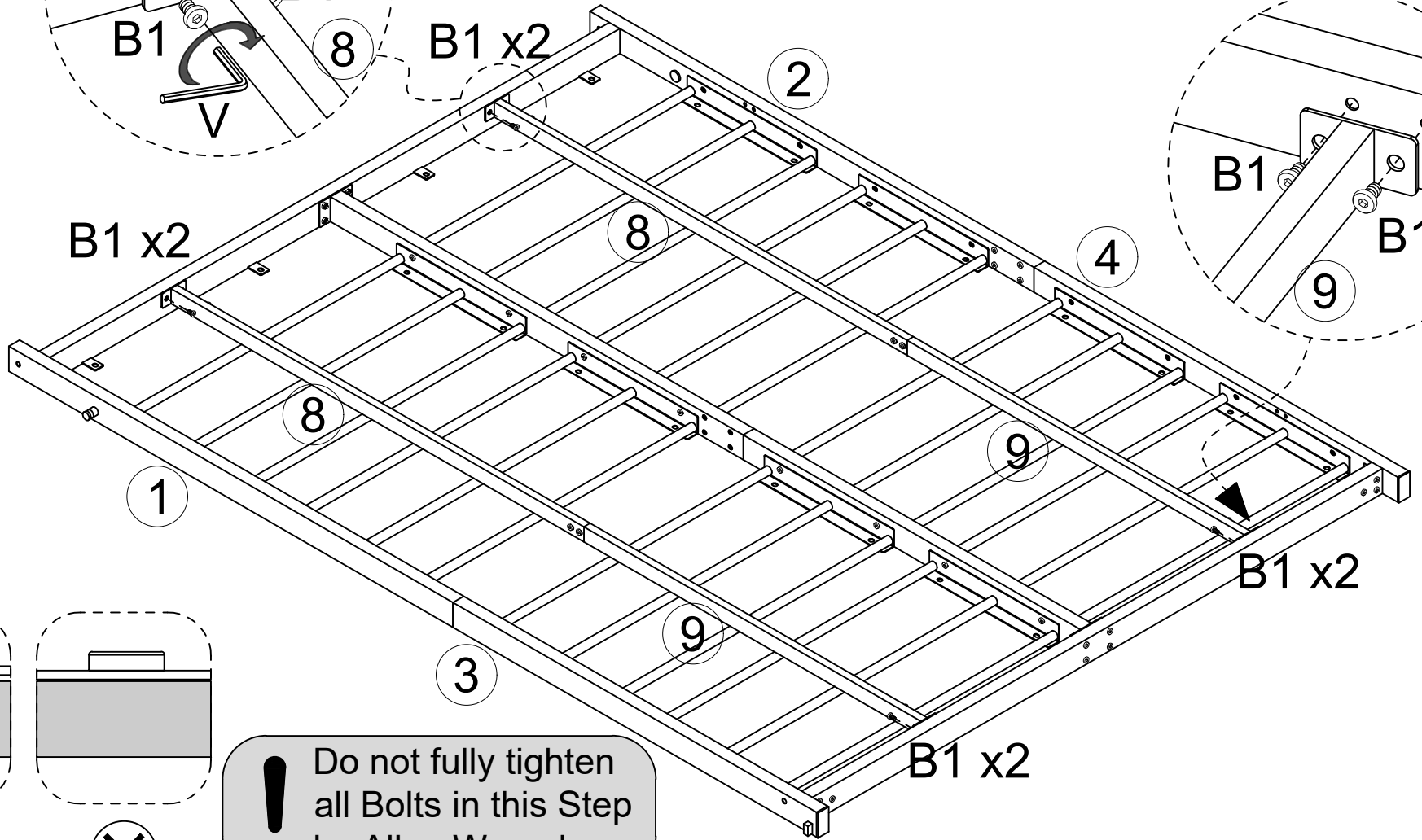
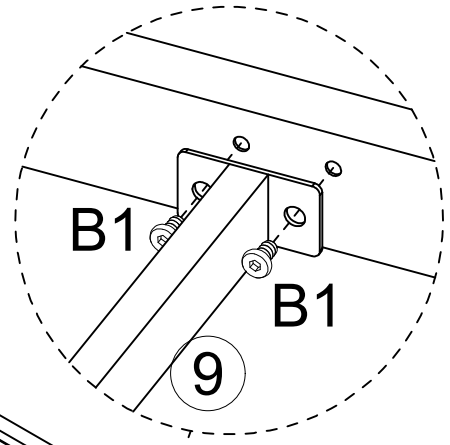
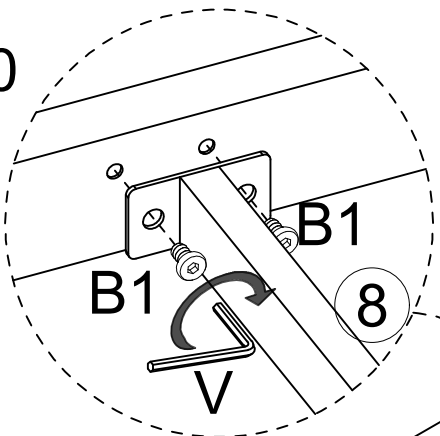
	
V	B1 16PCS



# Assemble

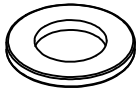
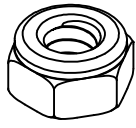
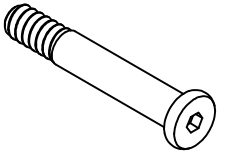
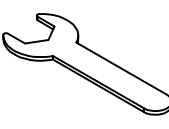
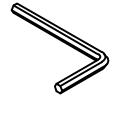
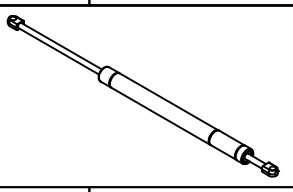
Step 50

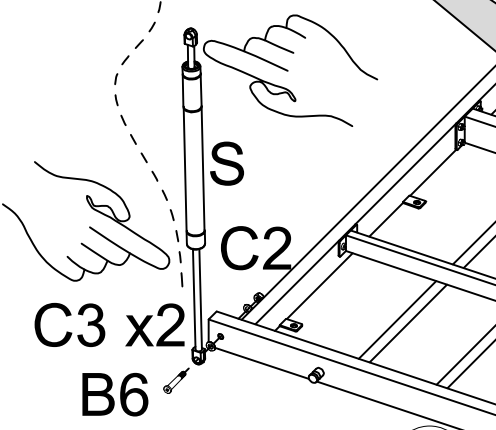
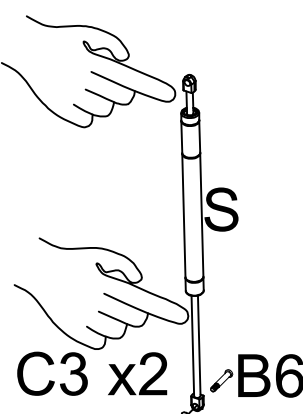
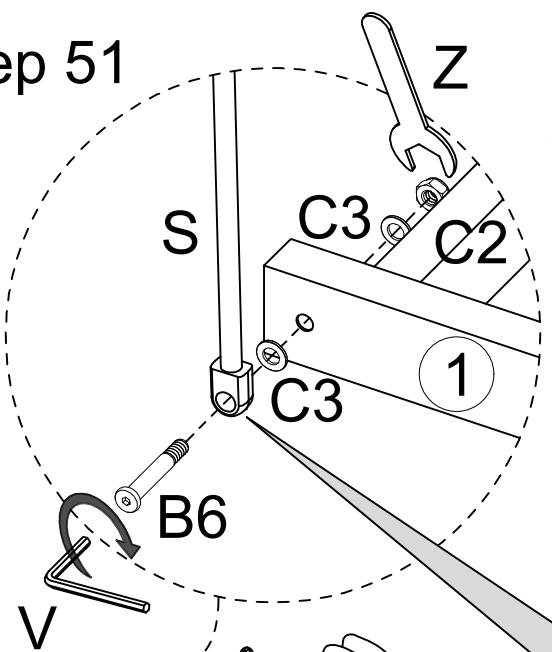
	
V	B1 8PCS



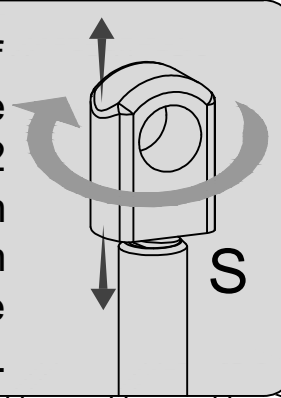
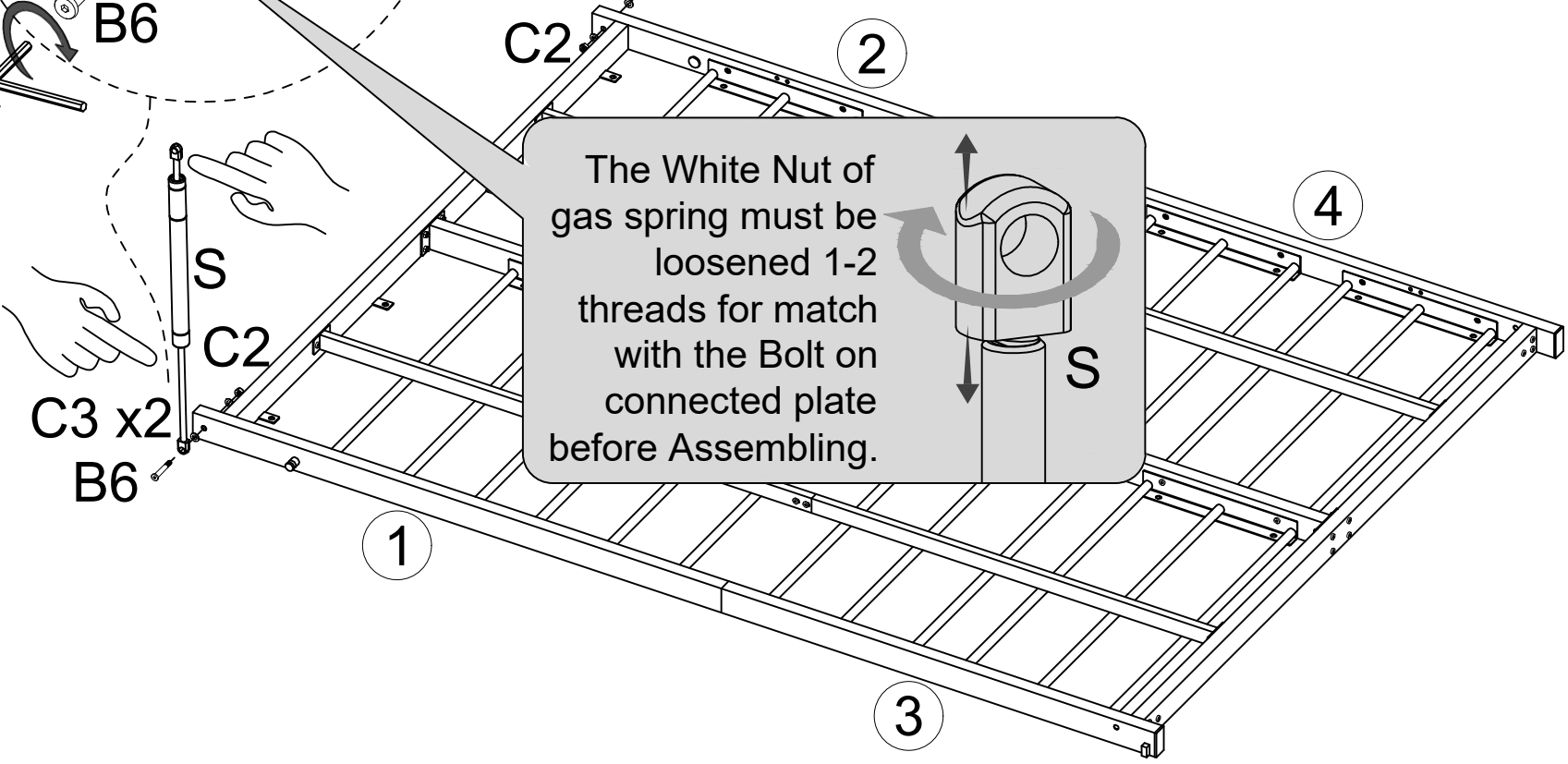
**!** Do not fully tighten all Bolts in this Step by Allen Wrench.

Step 51

		
C3 4PCS	C2 2PCS	B6 2PCS
		
Z	V	S 2PCS

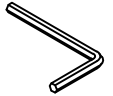




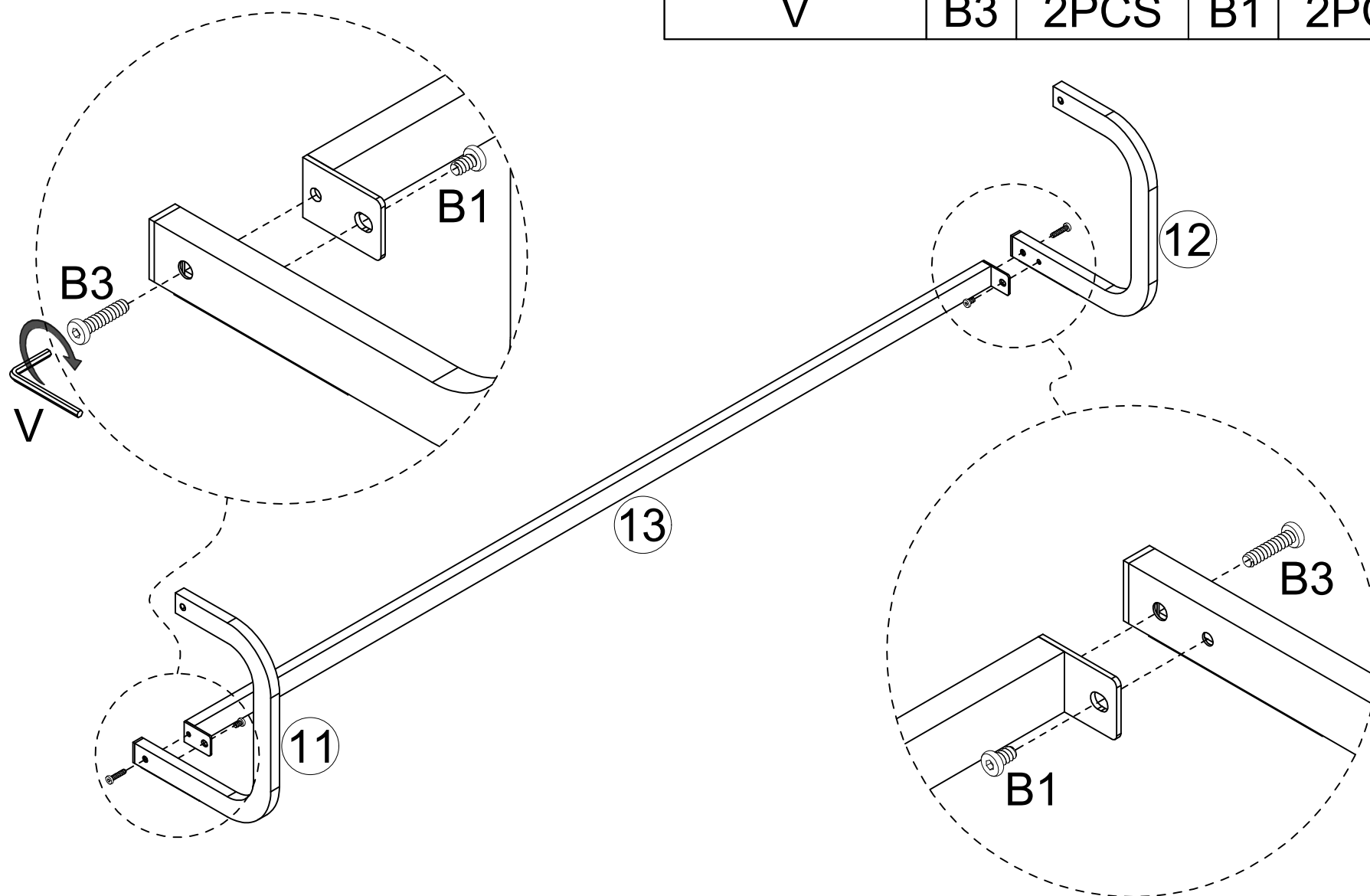
The White Nut of gas spring must be loosened 1-2 threads for match with the Bolt on connected plate before Assembling.

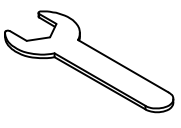
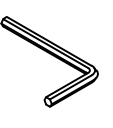
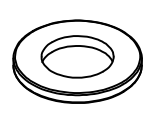
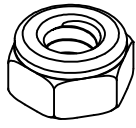
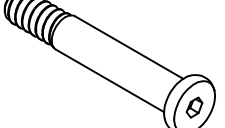
# Assemble

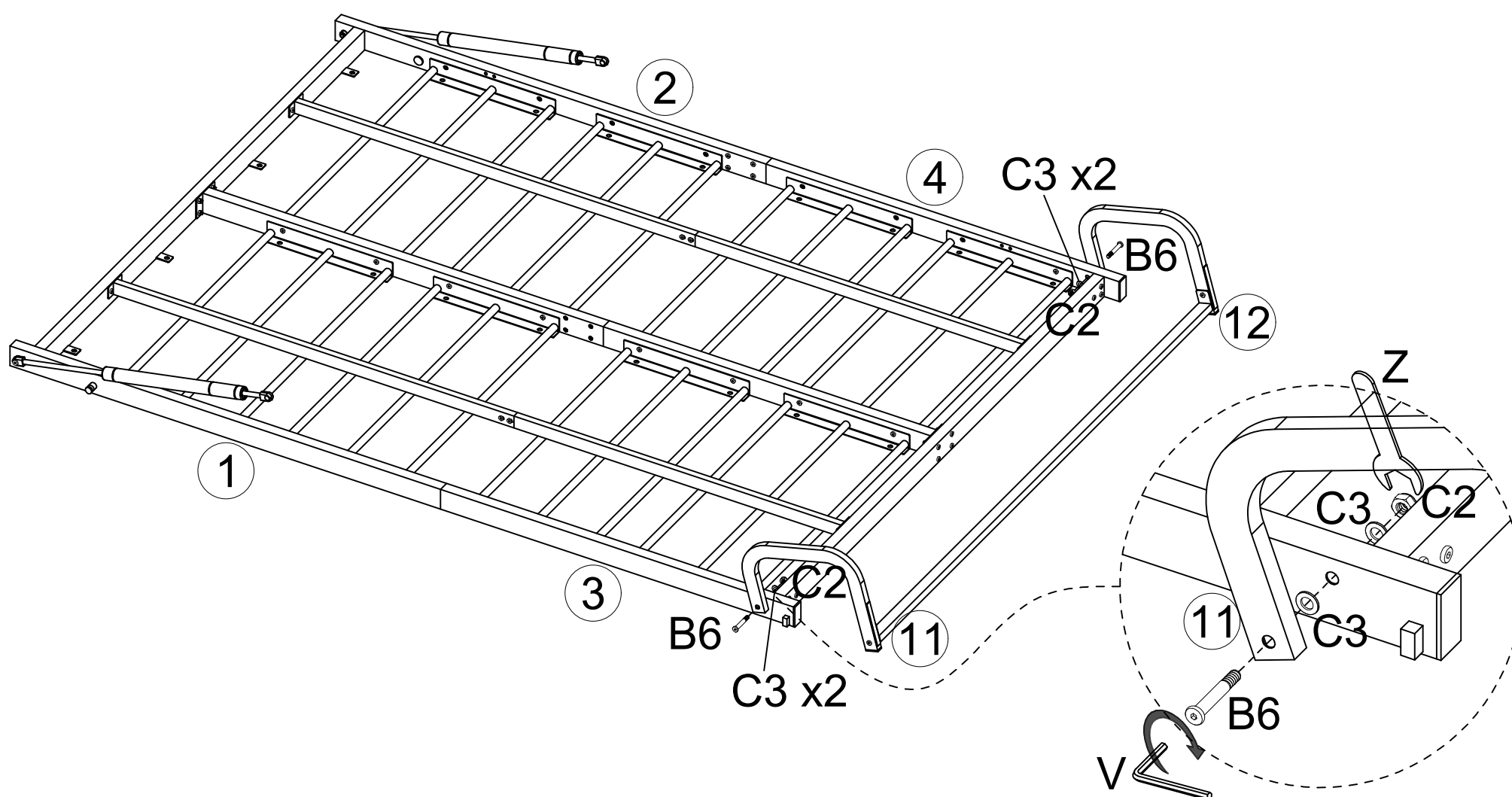
Step 52

		
V	B3 2PCS	B1 2PCS



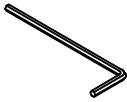
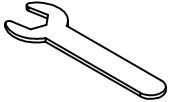

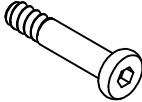
Step 53

				
Z	V	C3 4PCS	C2 2PCS	B6 2PCS



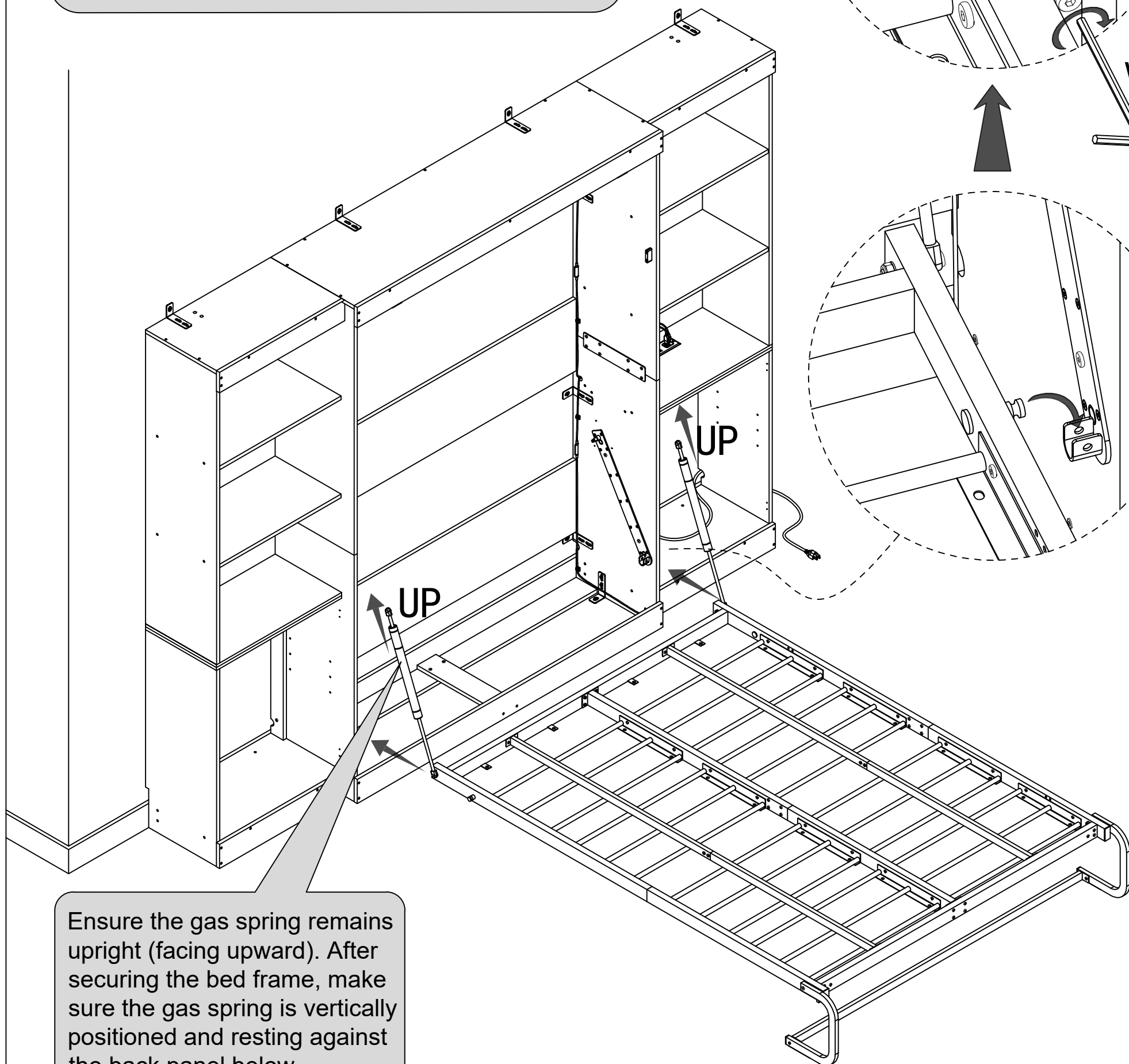
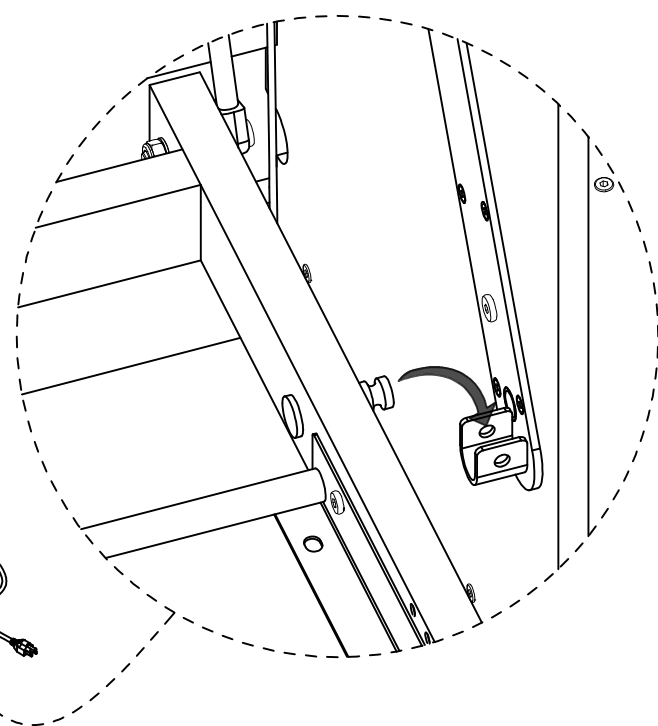
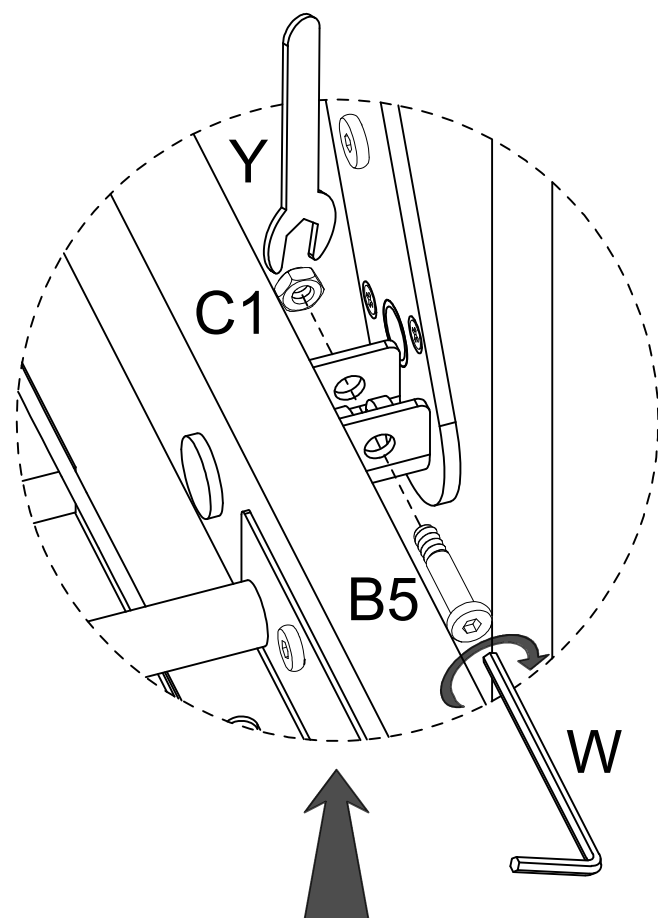
# Assemble

## Step 54

			
W	Y	C1 2PCS	B5 2PCS



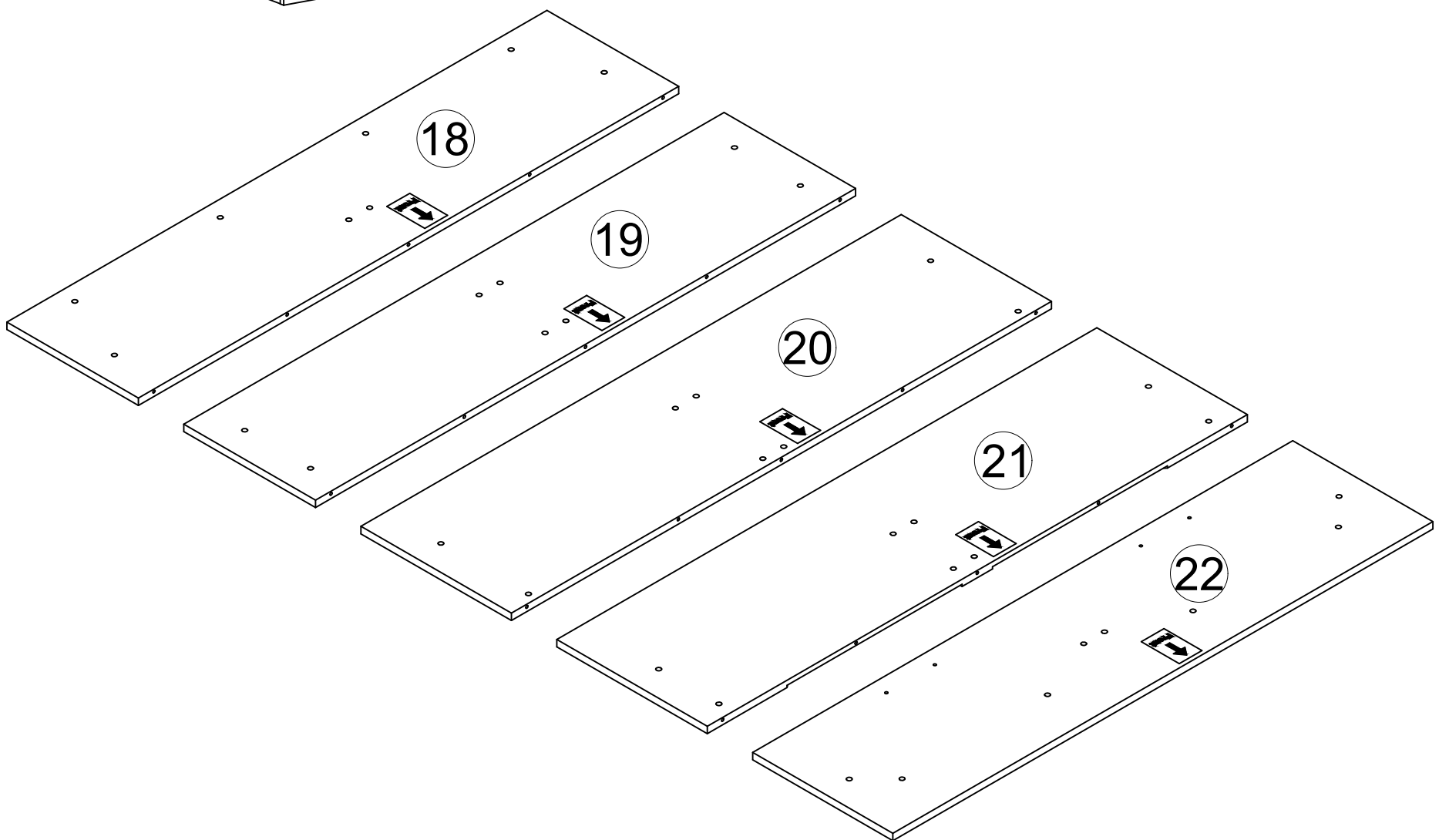
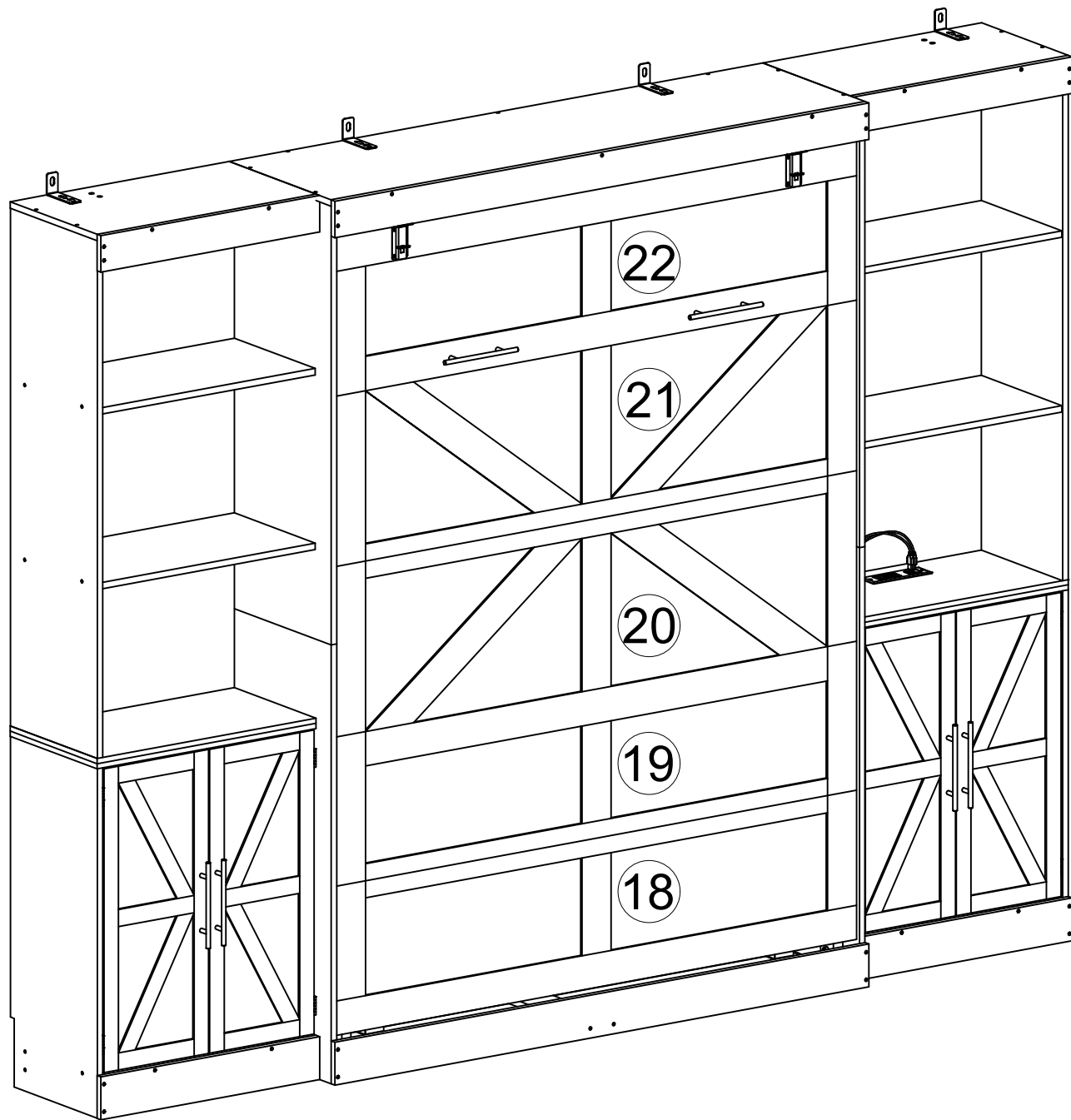
Note: When installing the gas spring in the next step (with the bed frame raised), ensure to protect it by keeping it vertically upright and preventing collisions with other objects.



Ensure the gas spring remains upright (facing upward). After securing the bed frame, make sure the gas spring is vertically positioned and resting against the back panel below.

# Assemble

Step 55

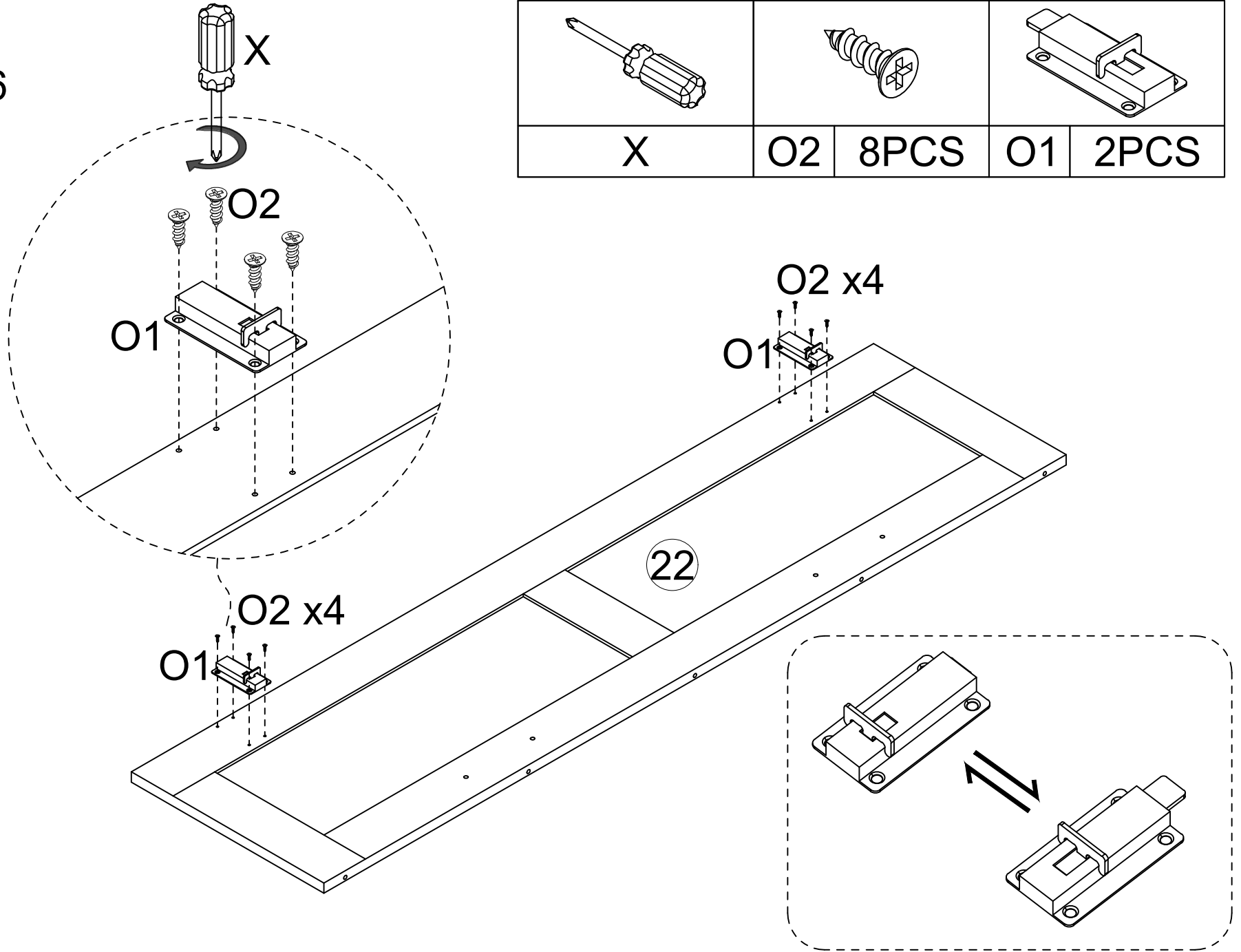


**⚠ WARNING**

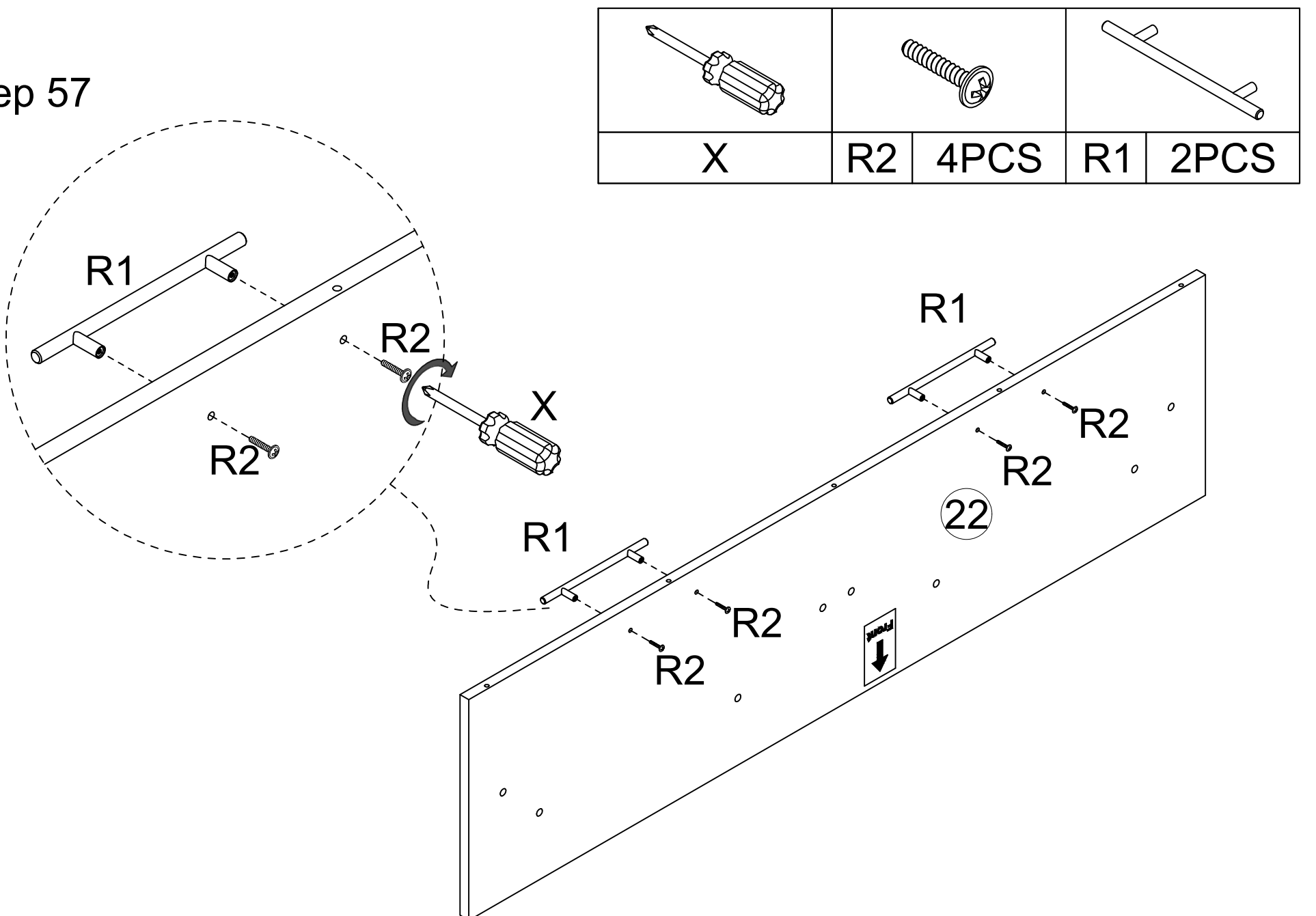
Attention: Do not step on the door panel alone during installation and use. To prevent damage to the door panel.

# Assemble

Step 56

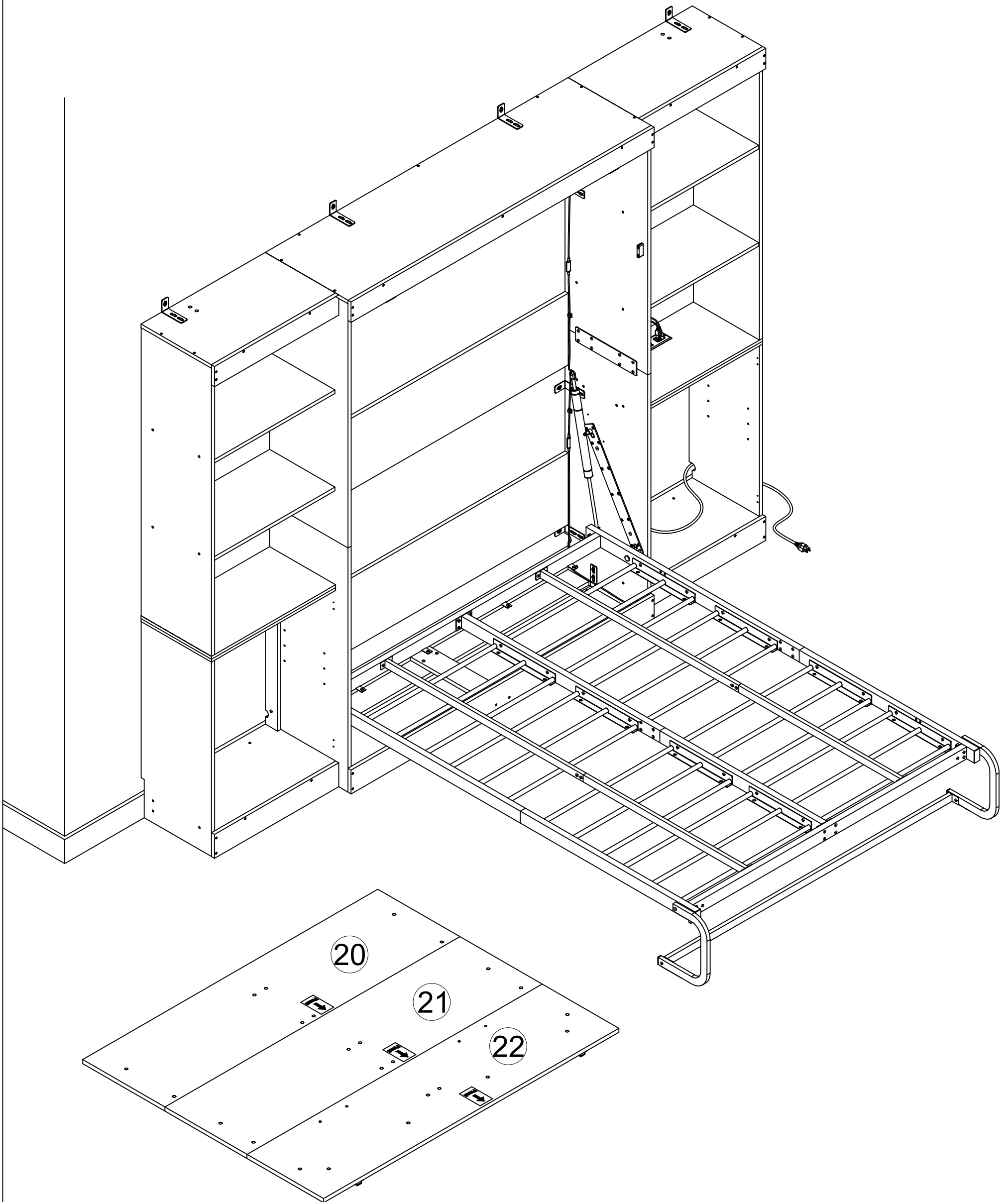


Step 57



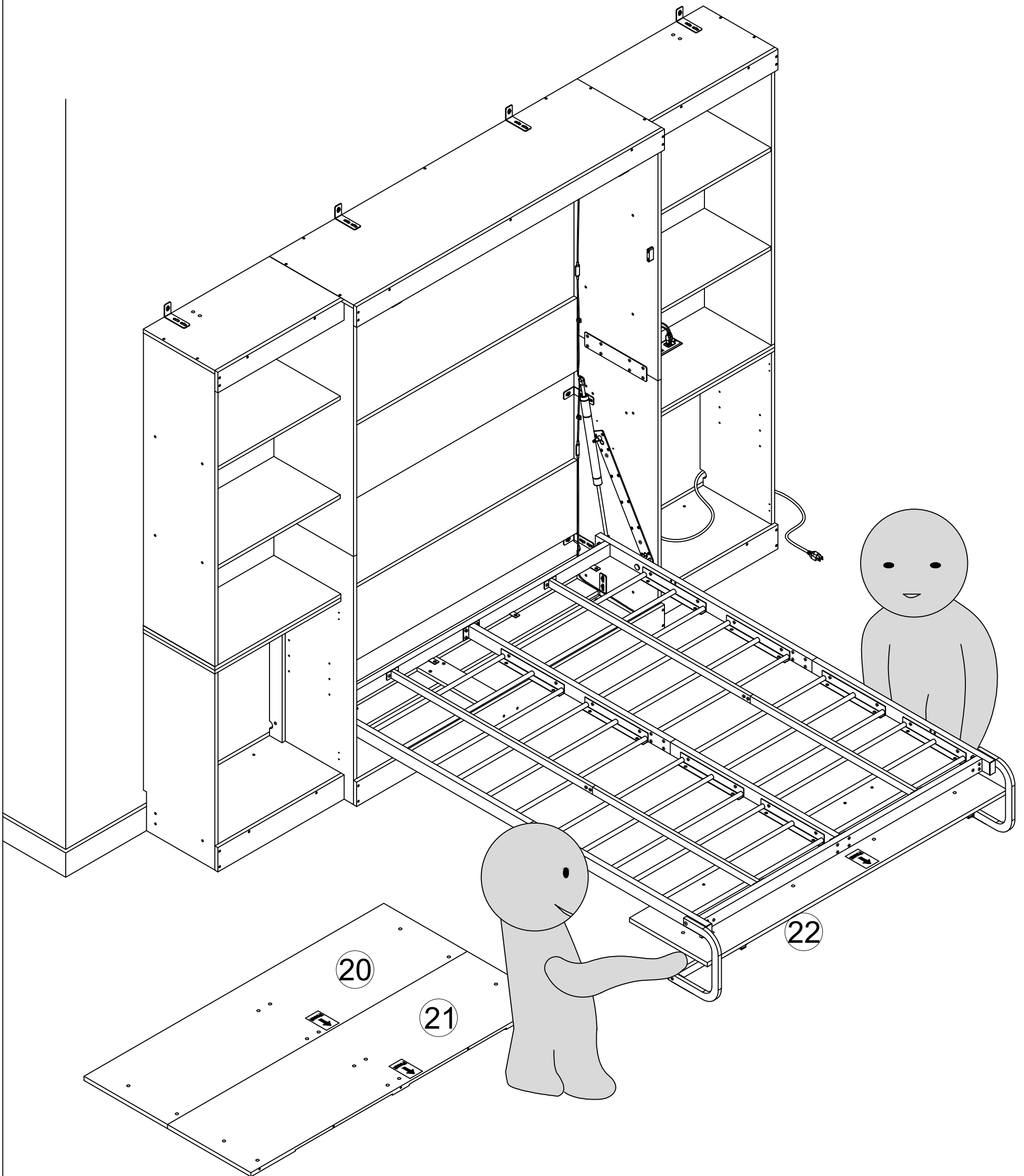
# Assemble

Step 58



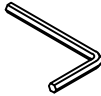

# Assemble

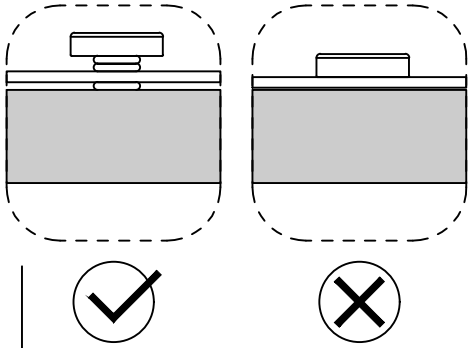
Step 59



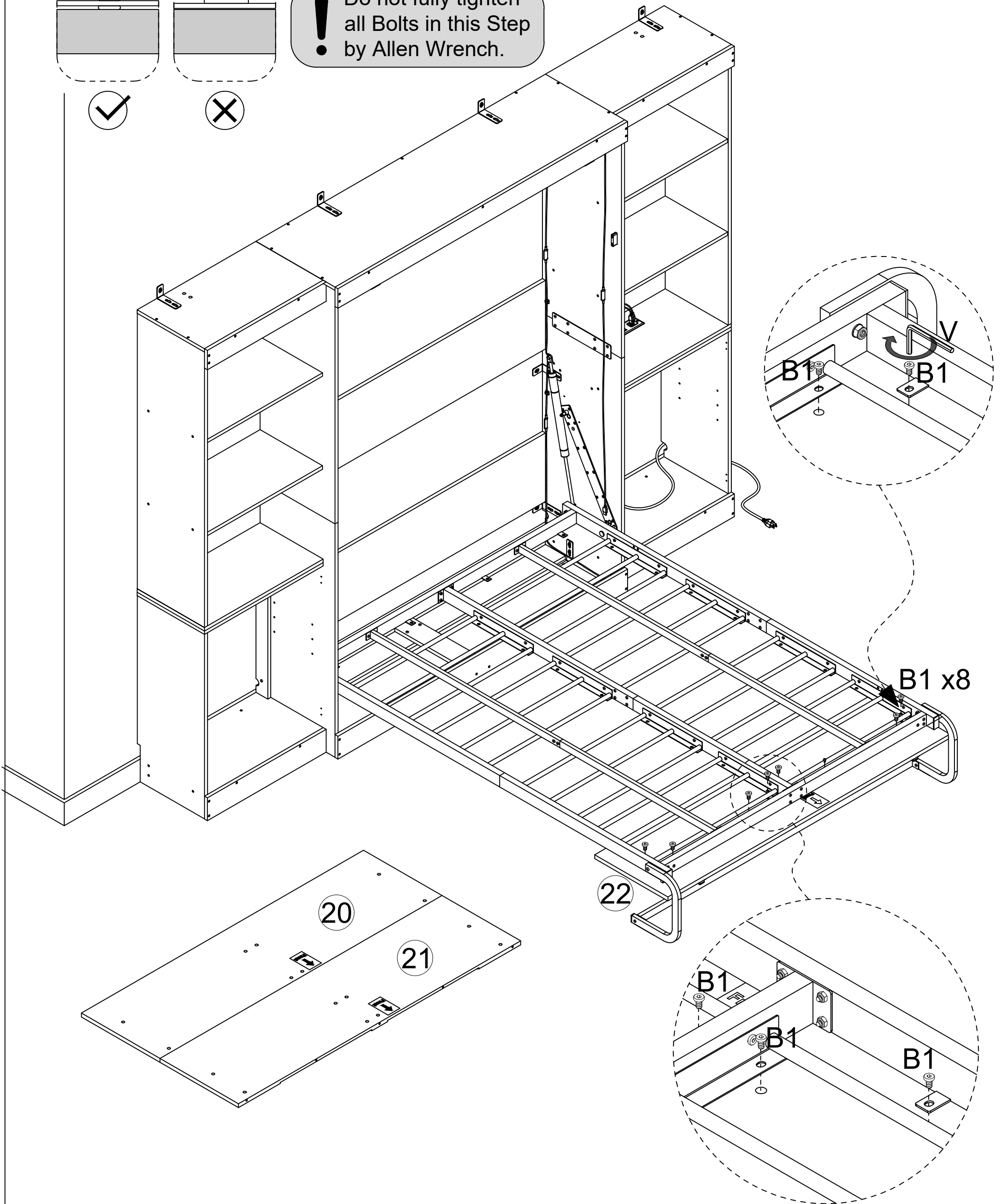
# Assemble

## Step 60

	
V	B1 8PCS

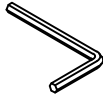

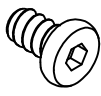


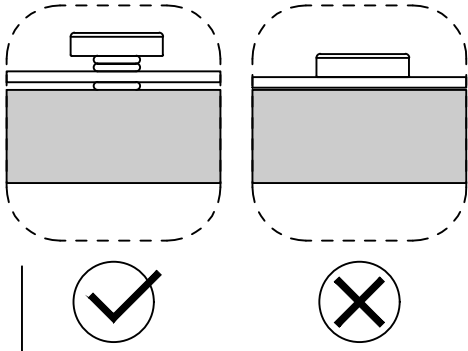
**!** Do not fully tighten all Bolts in this Step by Allen Wrench.



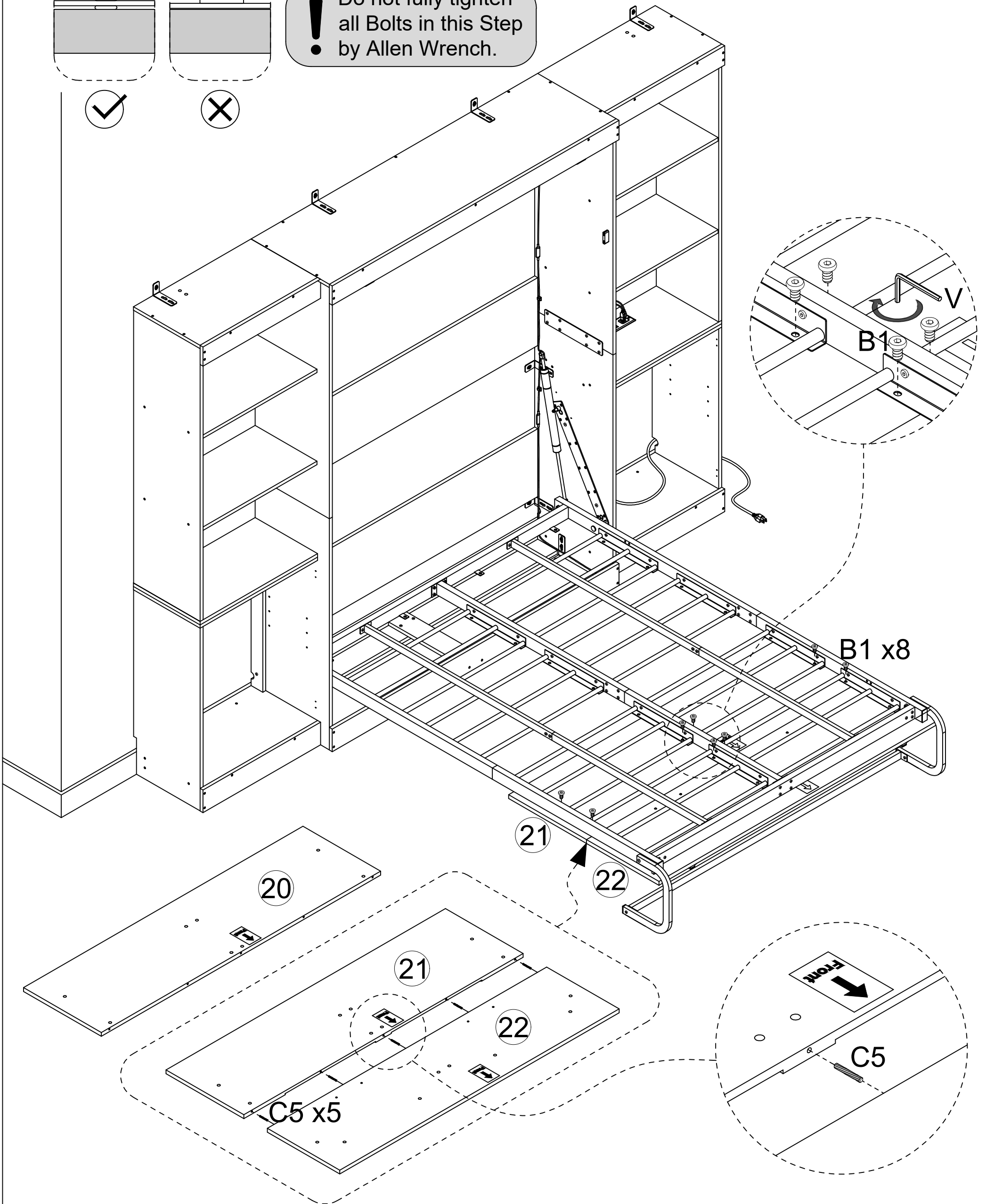
# Assemble

## Step 61

		
V	C5 5PCS	B1 8PCS

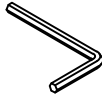

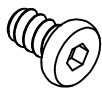


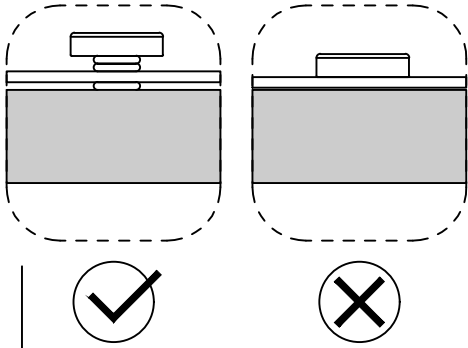
**!** Do not fully tighten all Bolts in this Step by Allen Wrench.



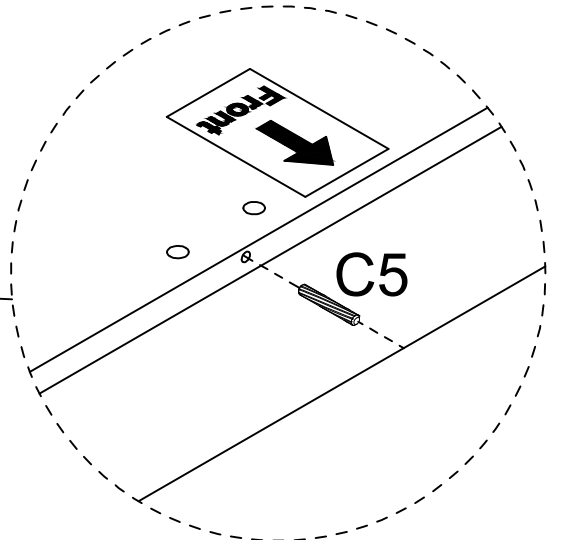
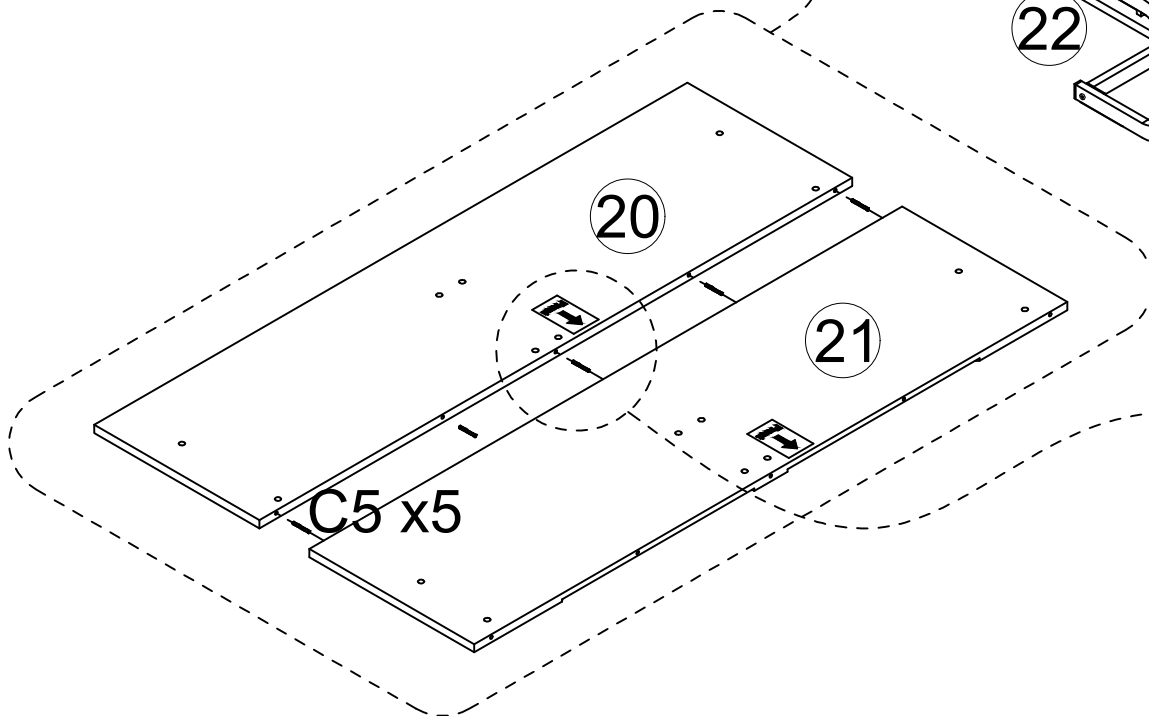
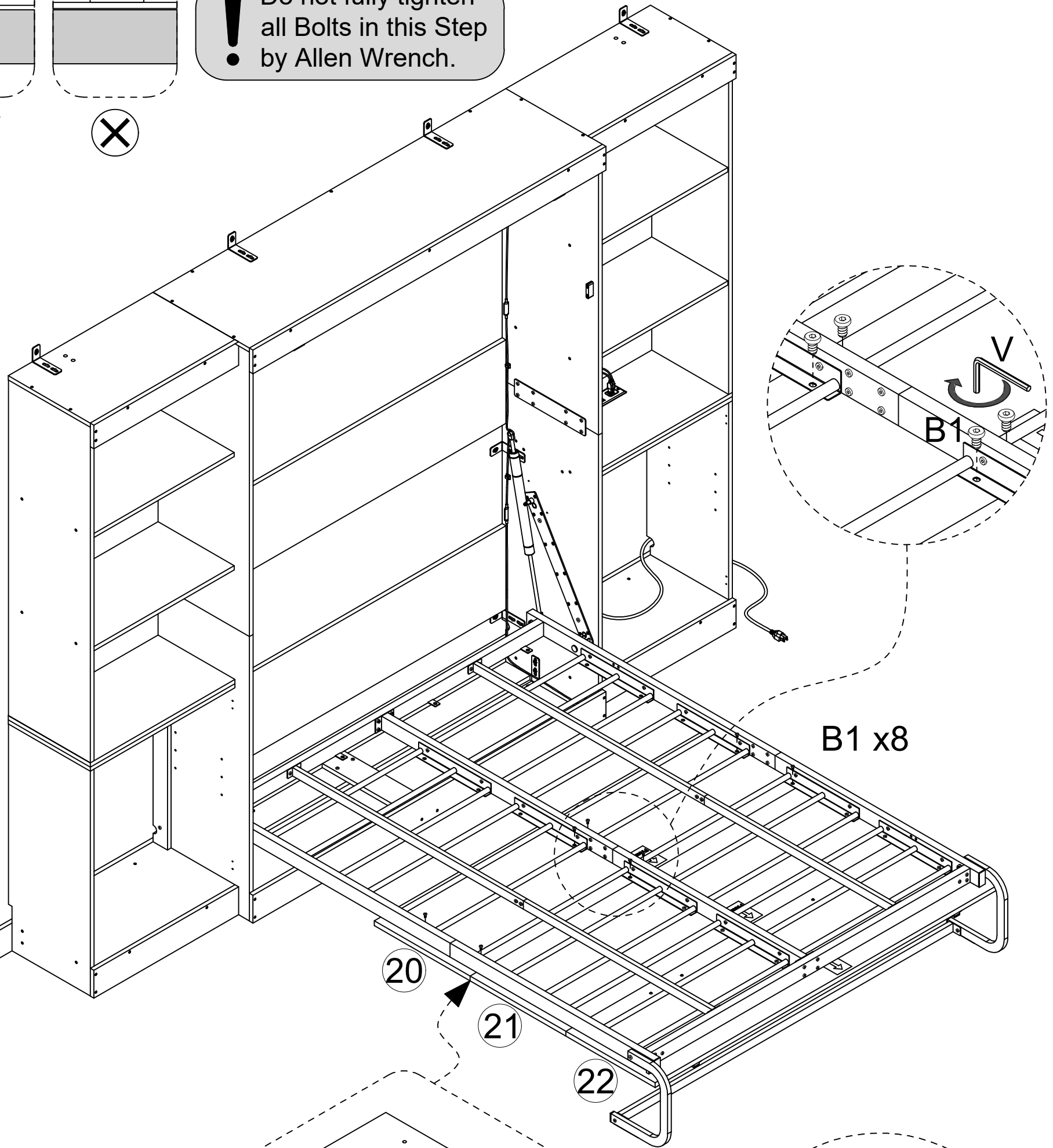
# Assemble

## Step 62

		
V	C5 5PCS	B1 8PCS

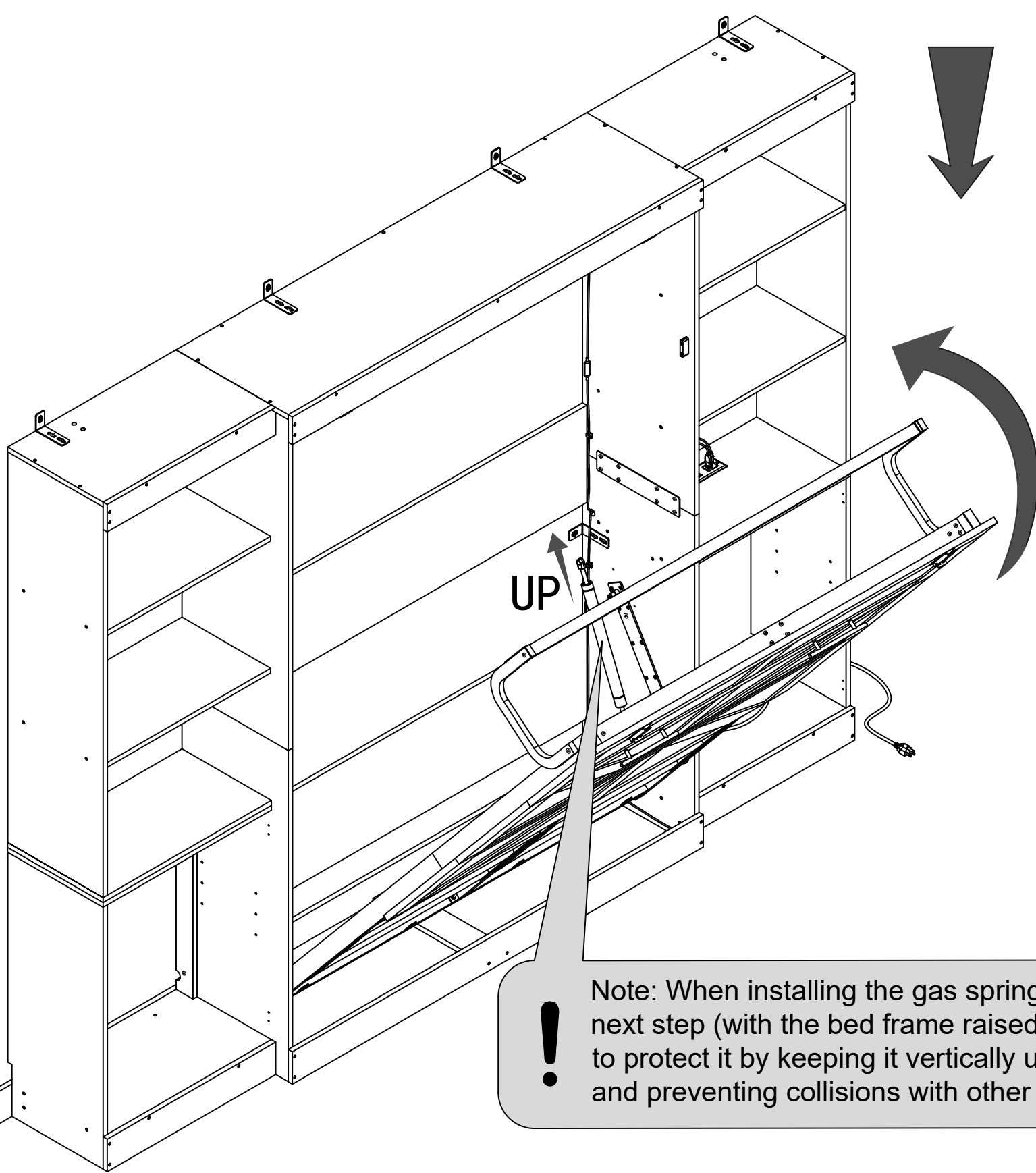
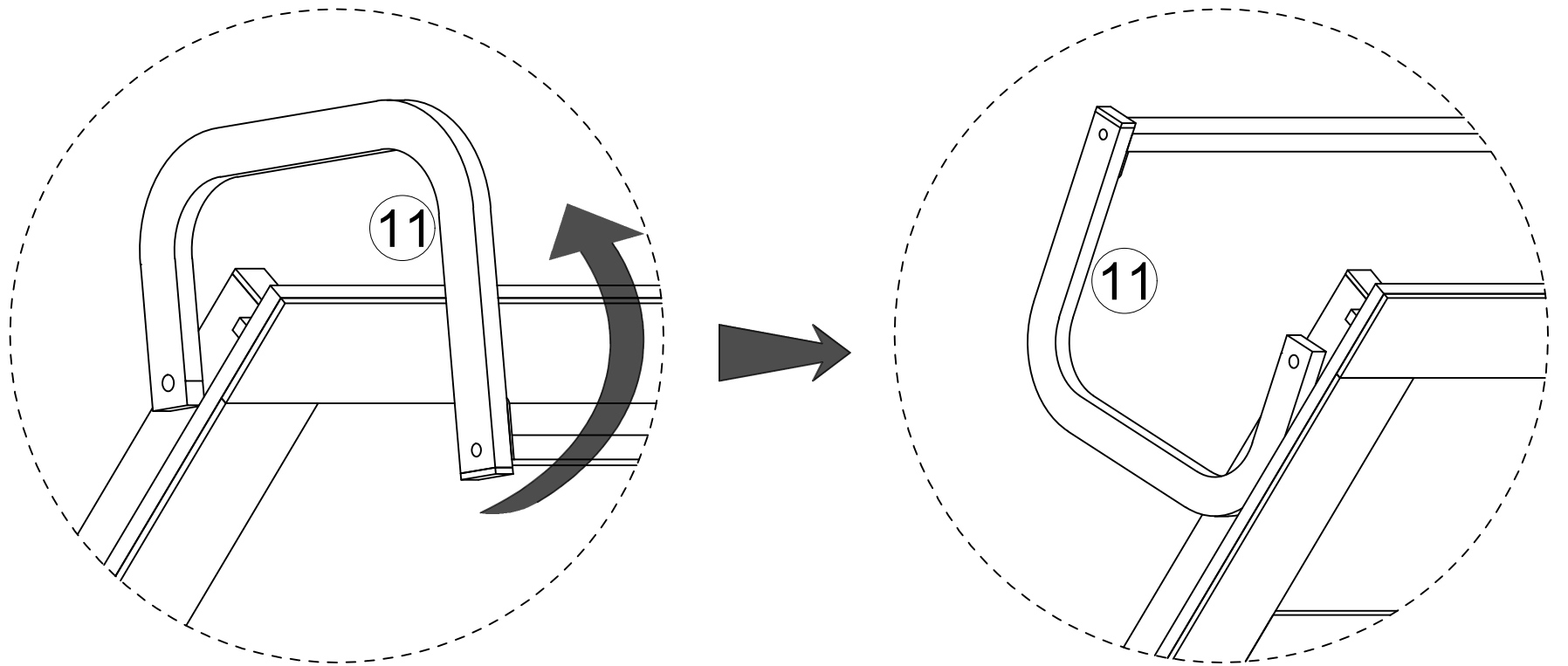


**!** Do not fully tighten all Bolts in this Step by Allen Wrench.



# Assemble

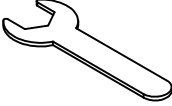

## Step 63

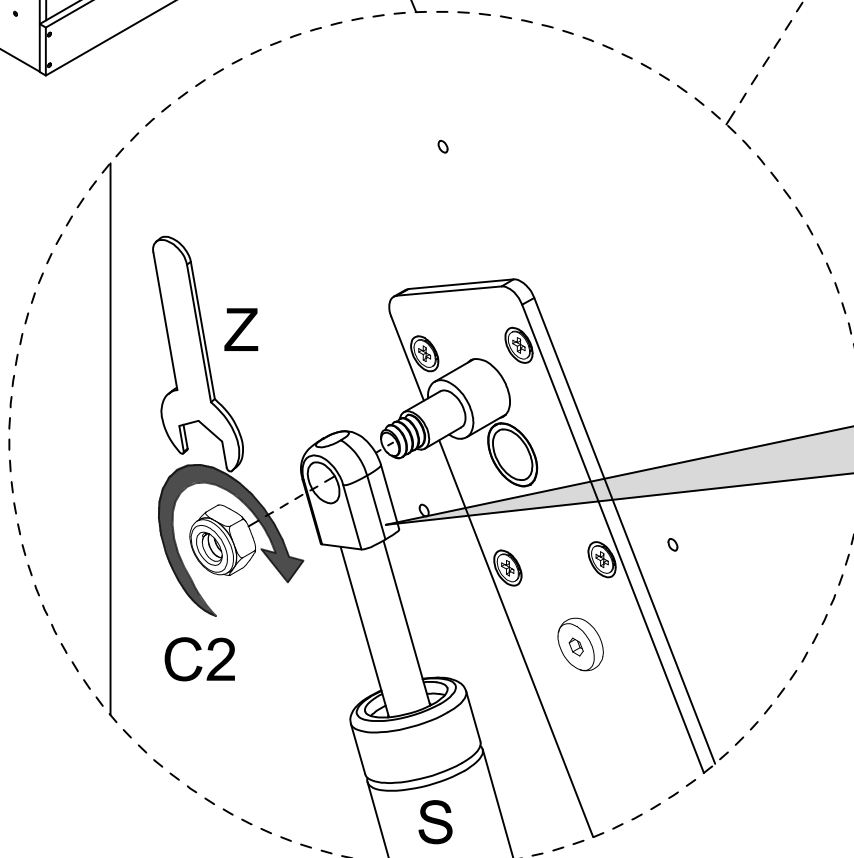
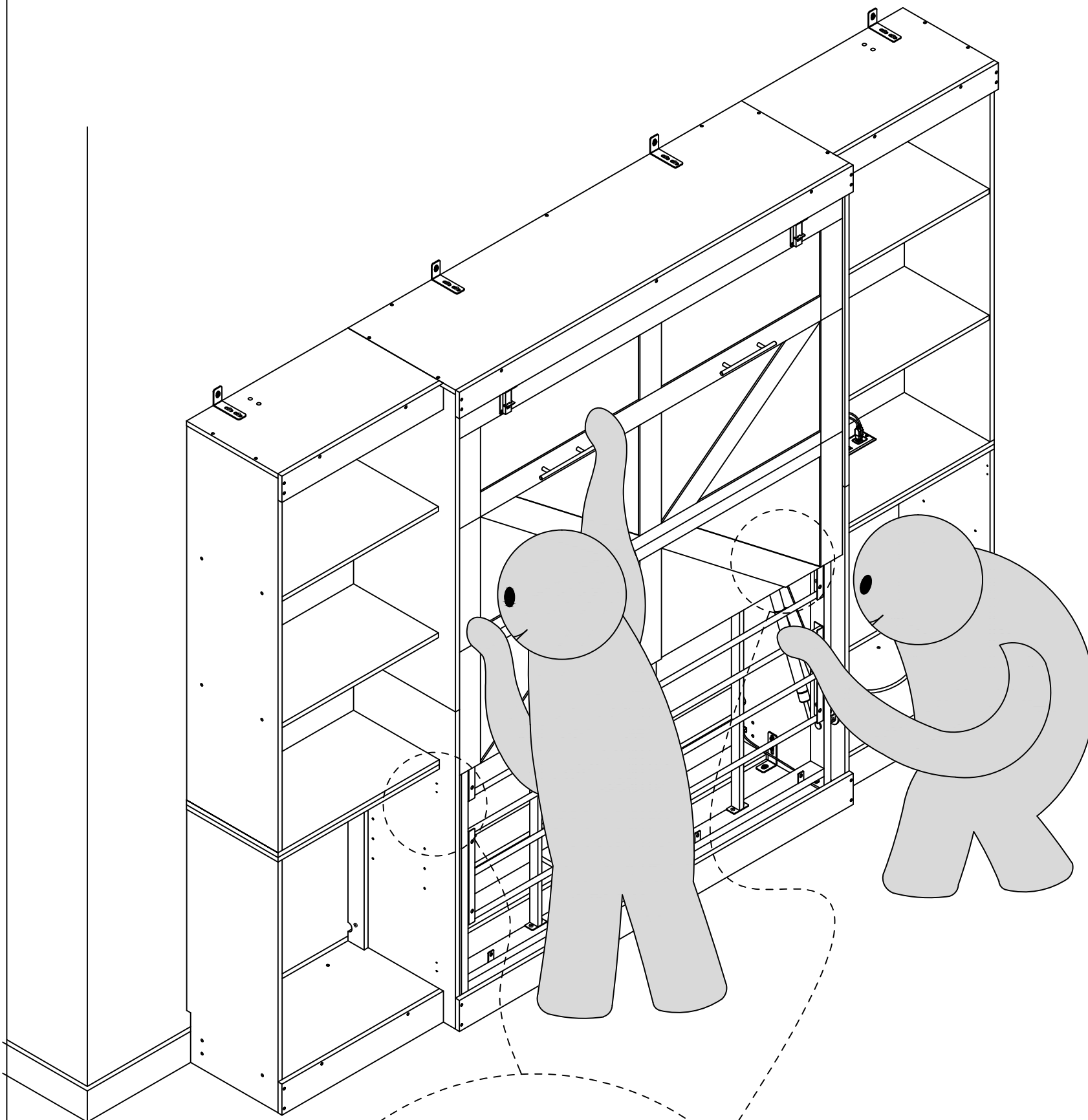


**!** Note: When installing the gas spring in the next step (with the bed frame raised), ensure to protect it by keeping it vertically upright and preventing collisions with other objects.

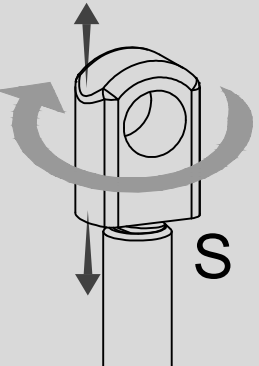
# Assemble

Step 64

	
Z	C2 2PCS

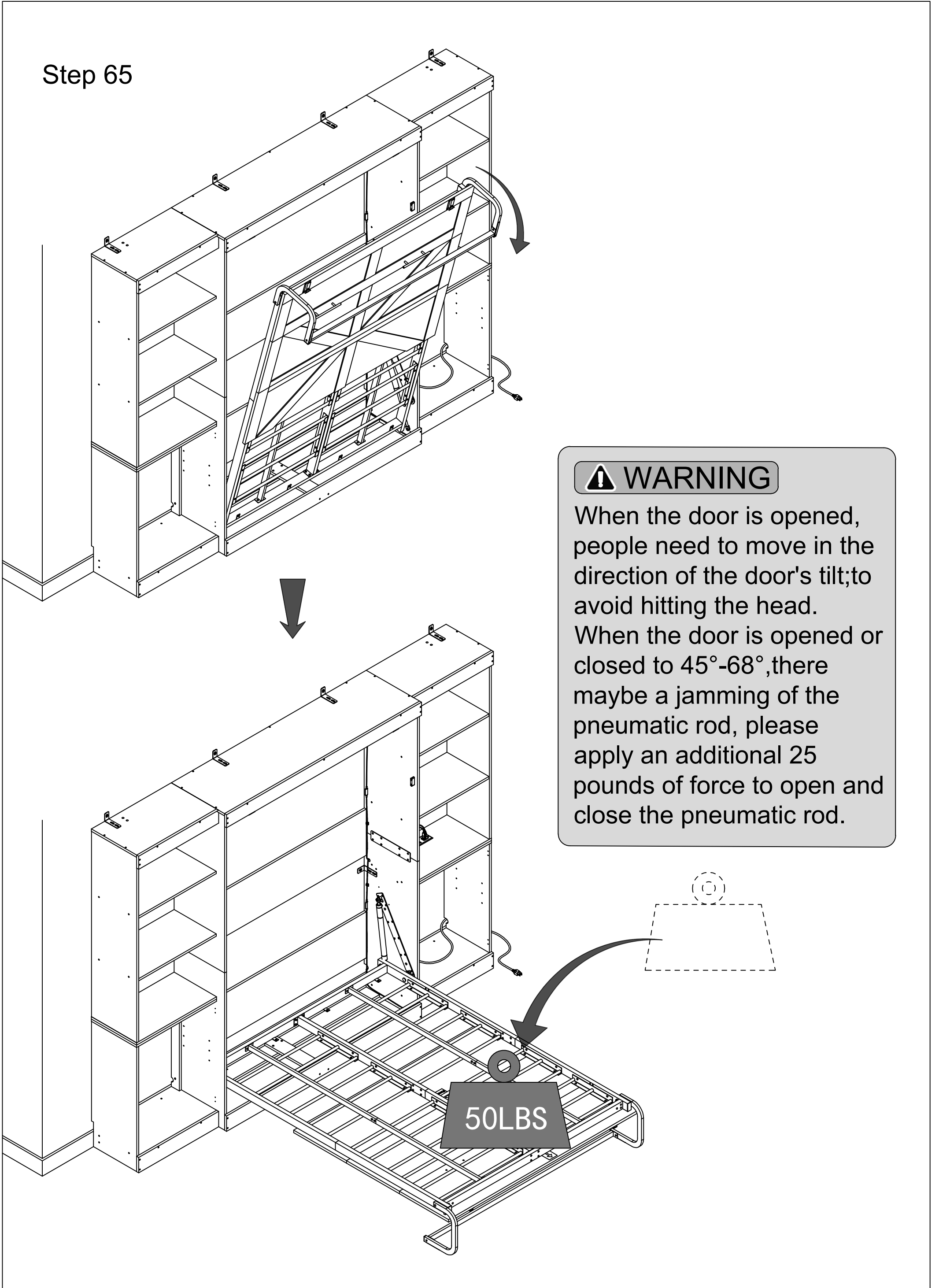


The White Nut of gas spring must be loosened 1-2 threads for match with the Bolt on connected plate before Assembling.



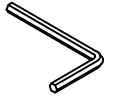

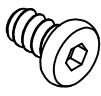
# Assemble

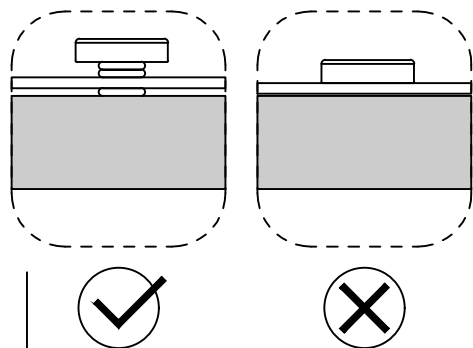
Step 65



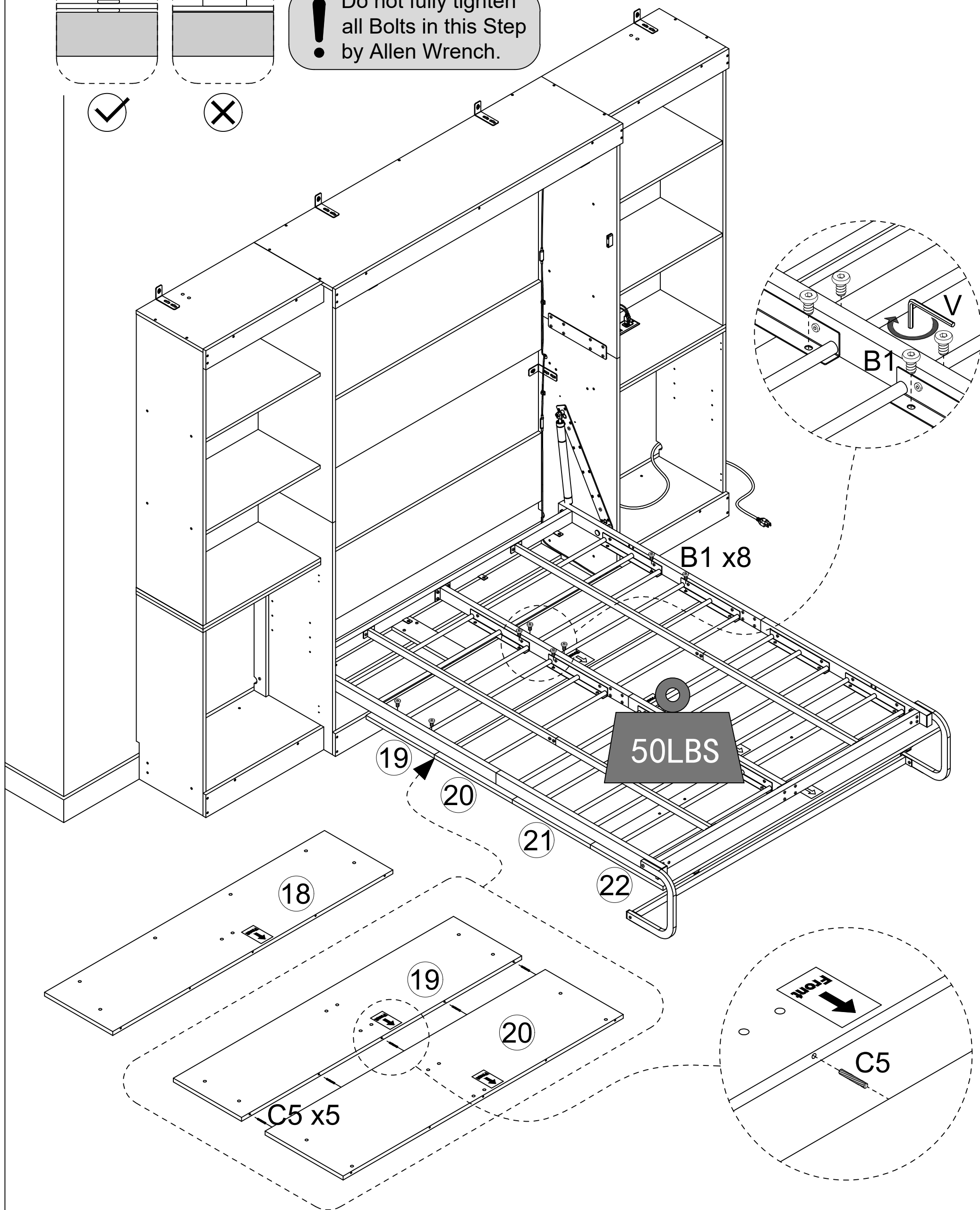
# Assemble

## Step 66

		
V	C5 5PCS	B1 8PCS

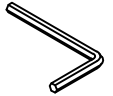

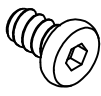


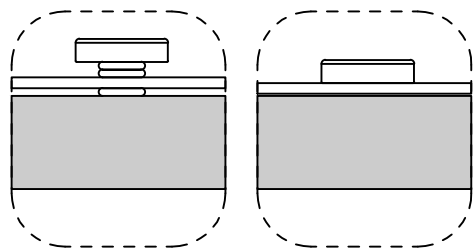
**!** Do not fully tighten all Bolts in this Step by Allen Wrench.



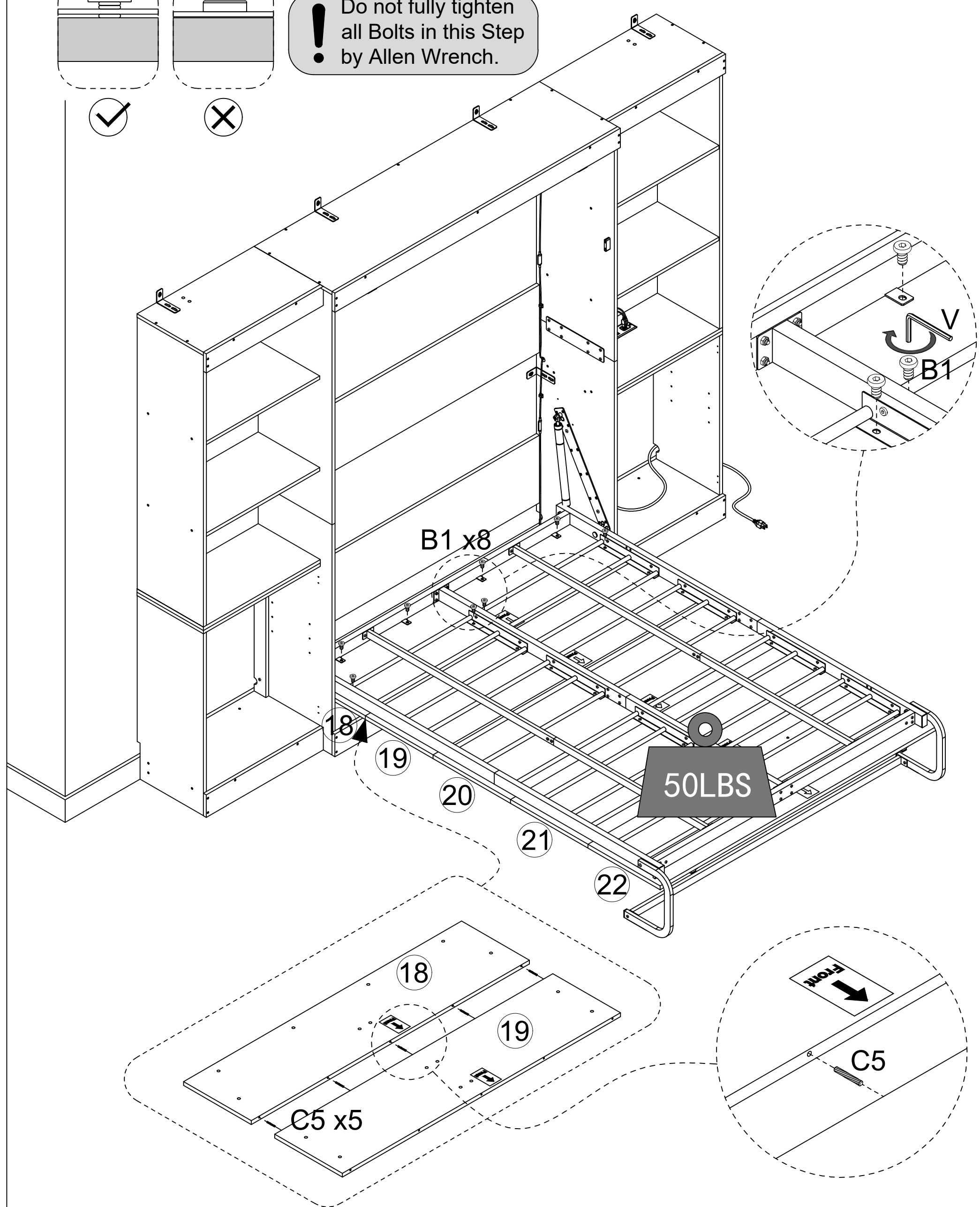
# Assemble

## Step 67

		
V	C5 5PCS	B1 8PCS

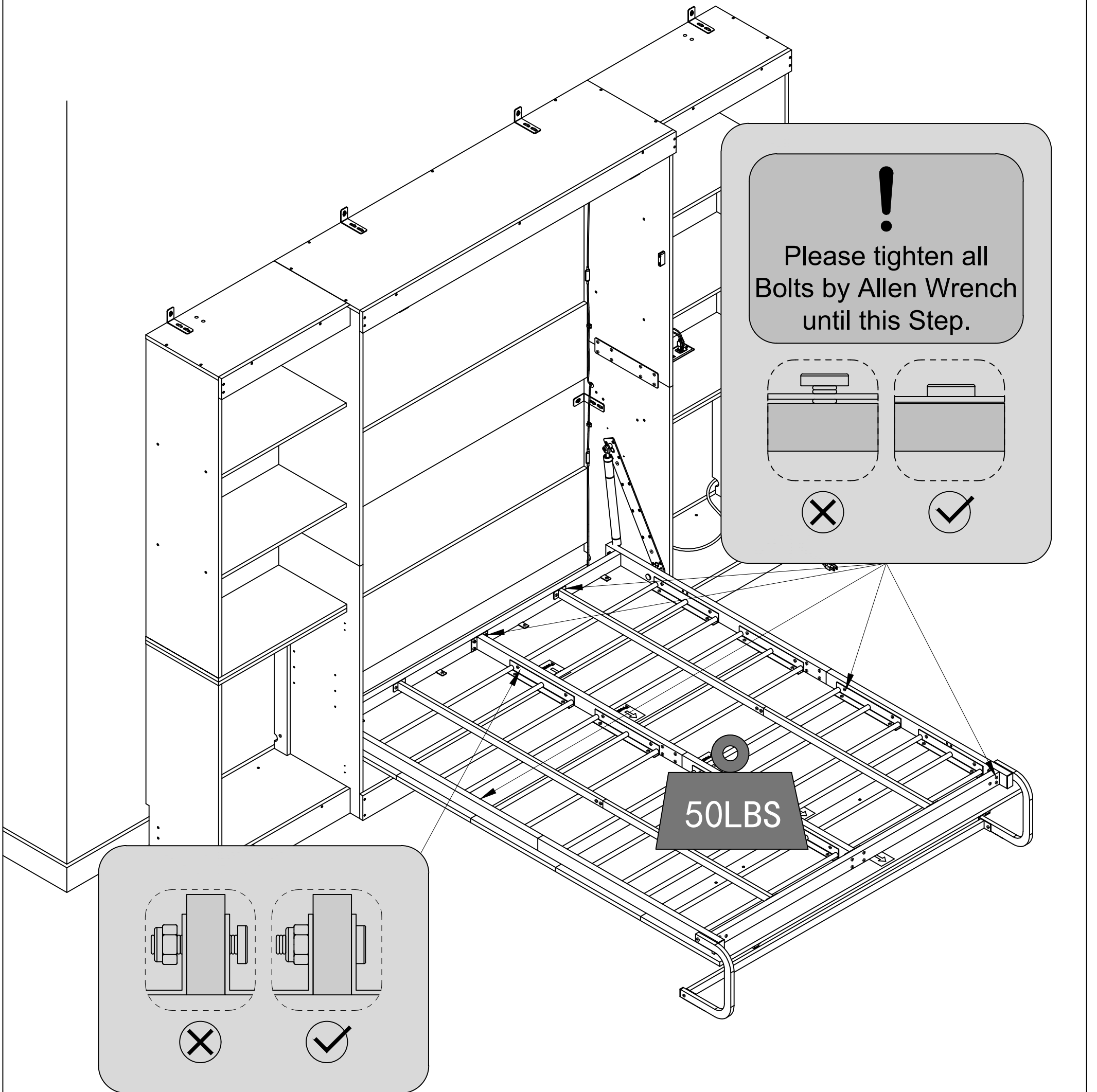


**!** Do not fully tighten all Bolts in this Step by Allen Wrench.



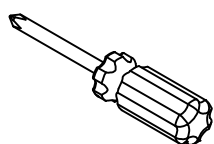
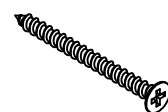
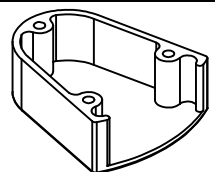
# Assemble

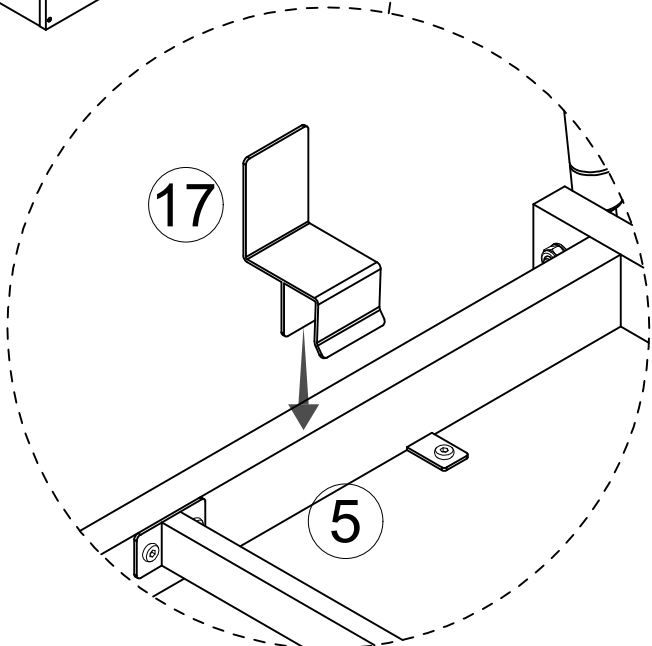
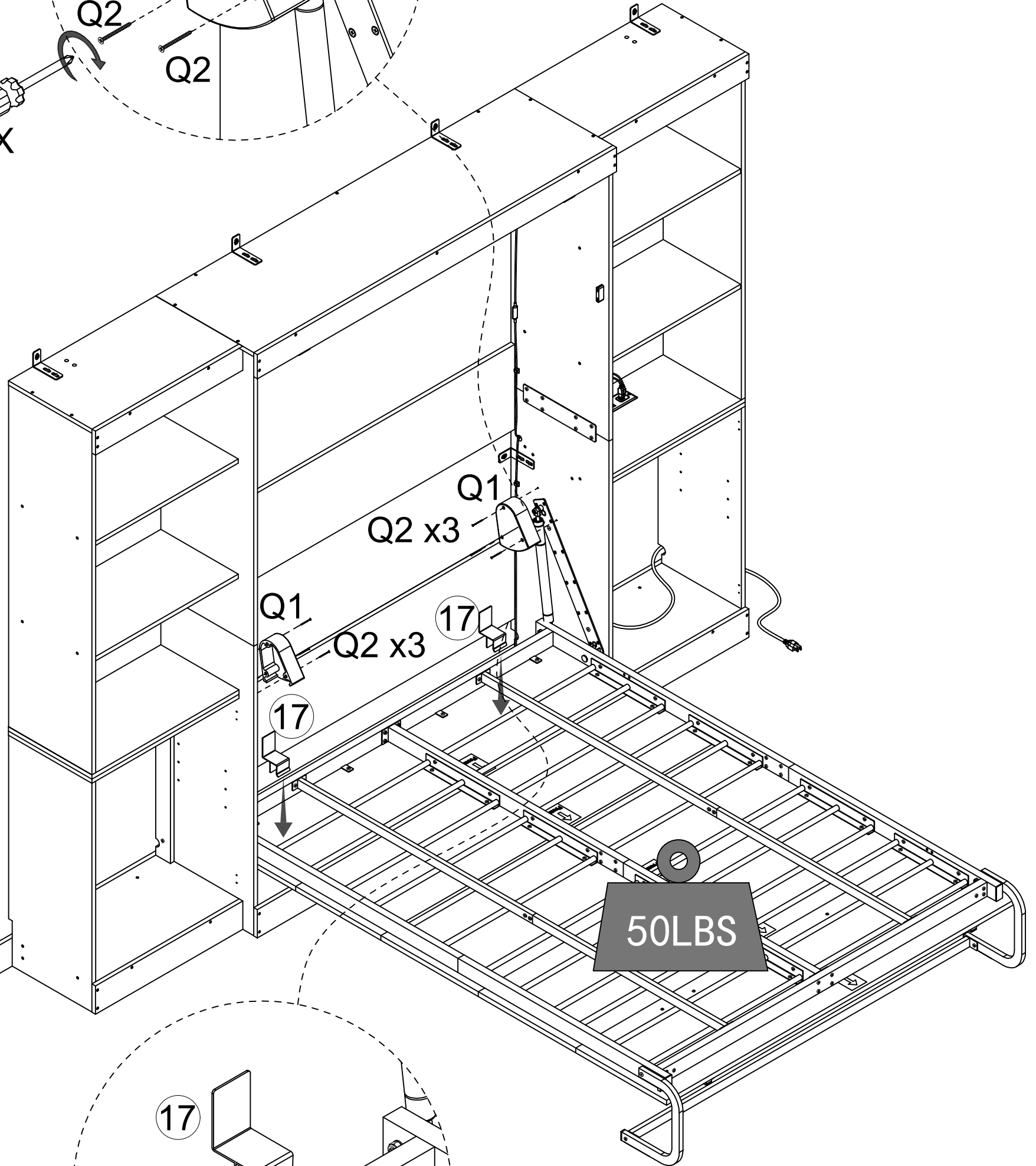
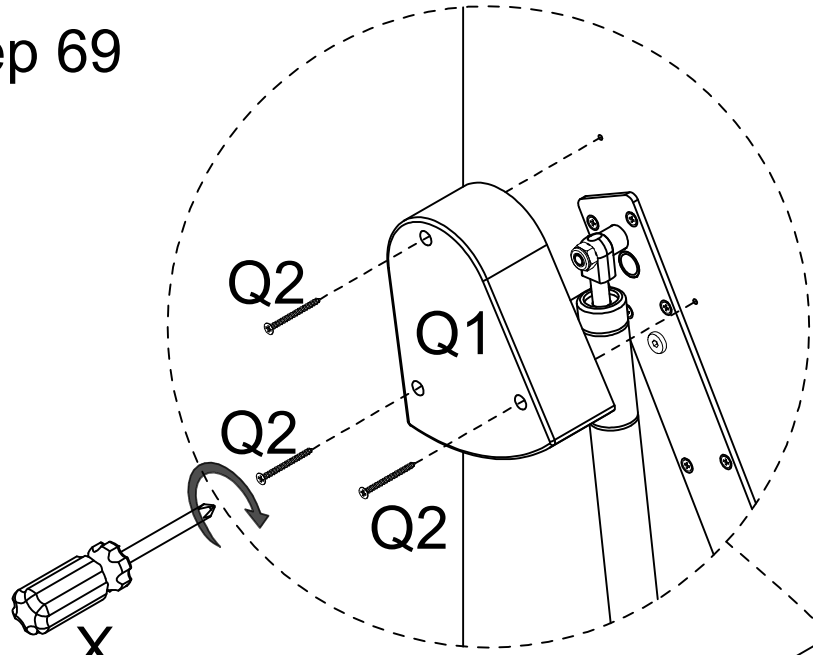
## Step 68



# Assemble

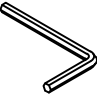
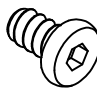
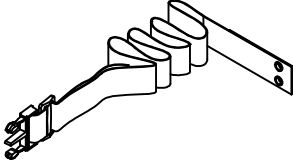
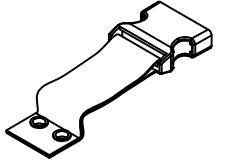
Step 69

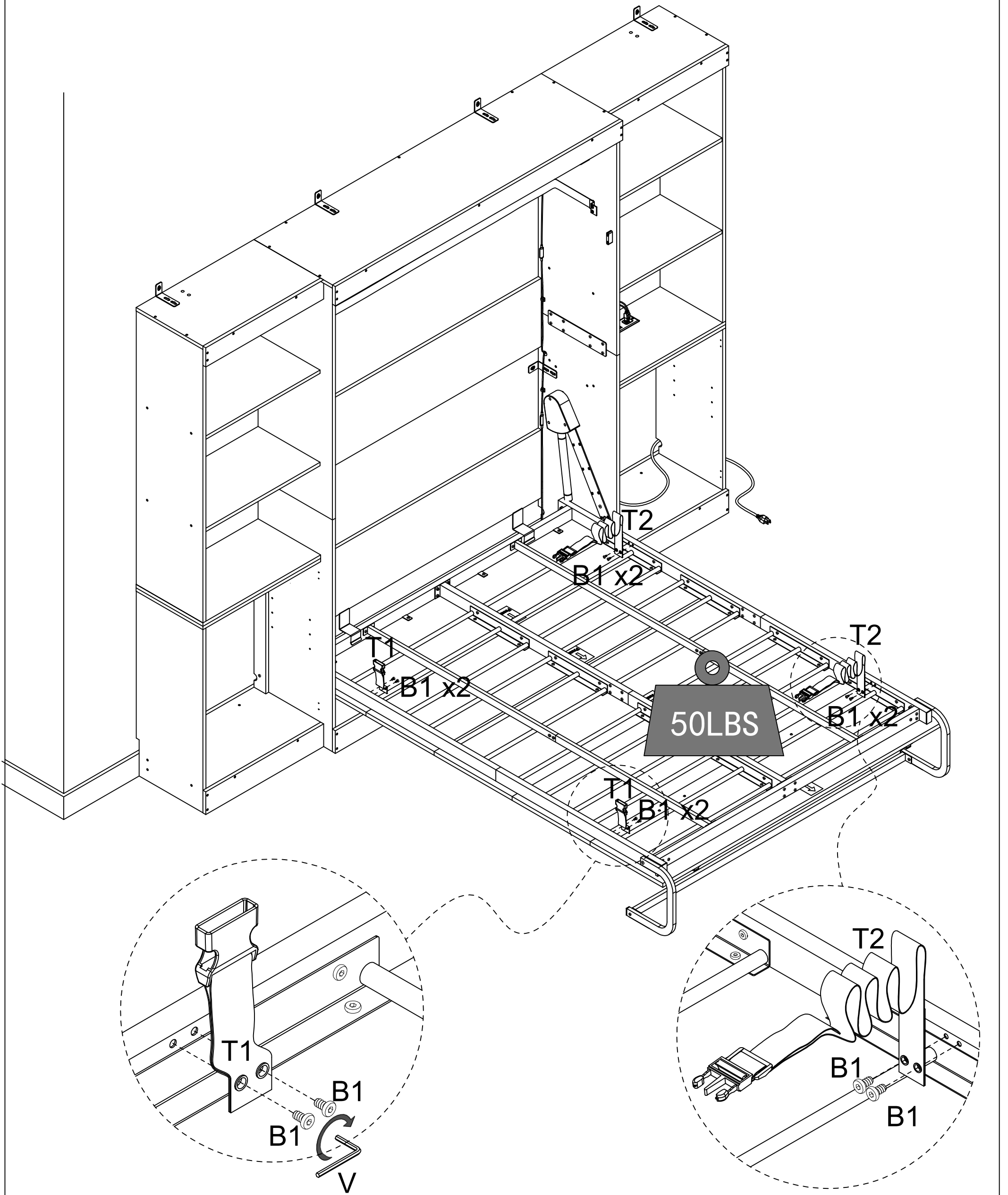
				
X	Q2	6PCS	Q1	2PCS



# Assemble

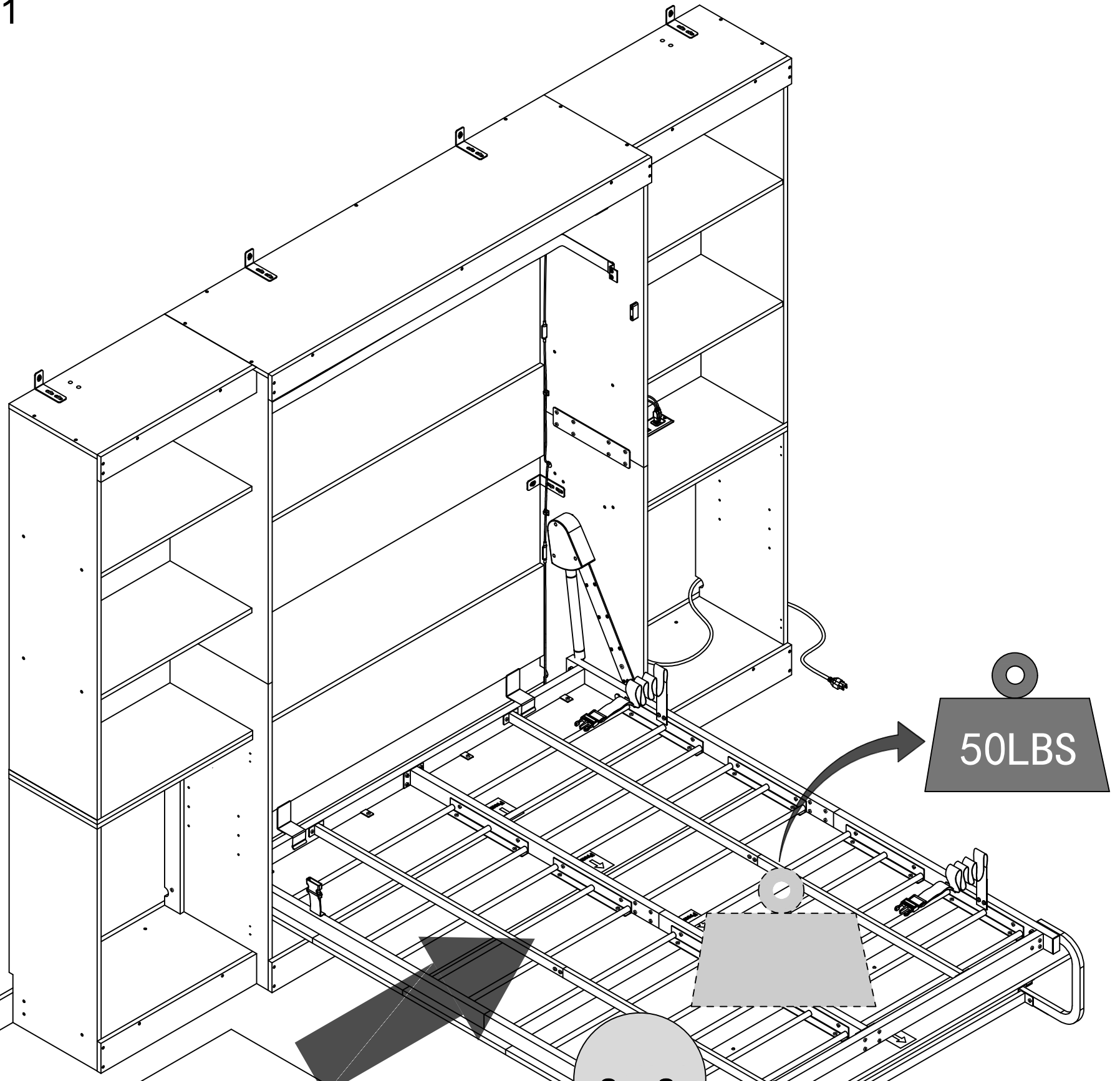
Step 70

			
V	B1 8PCS	T2 2PCS	T1 2PCS



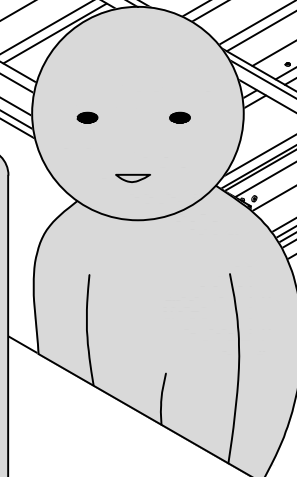
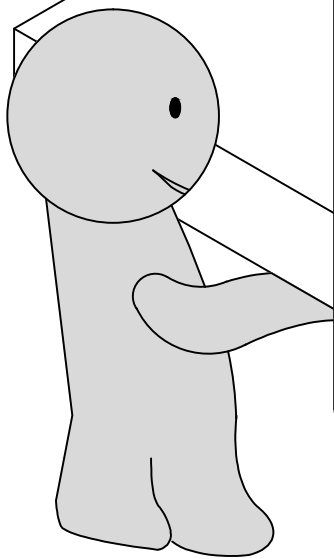
# Assemble

Step 71



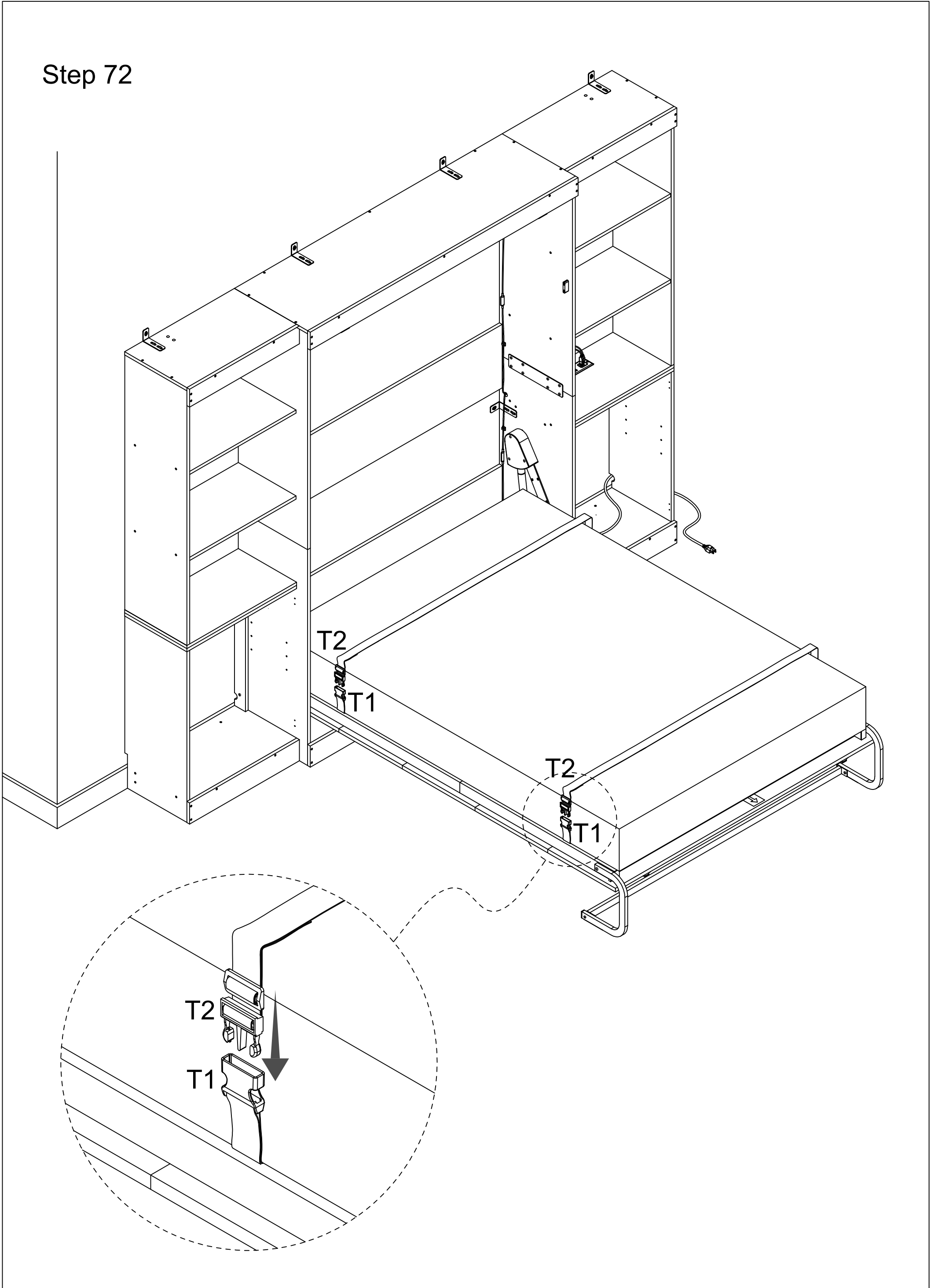
**⚠ WARNING**

This bed frame is only suitable for placing FULL SIZE MATTRESSES with a thickness of 5"~12" and the mattress weight requirement is controlled between 27~43kgs (60~95LBS).



# Assemble

Step 72



# Assemble

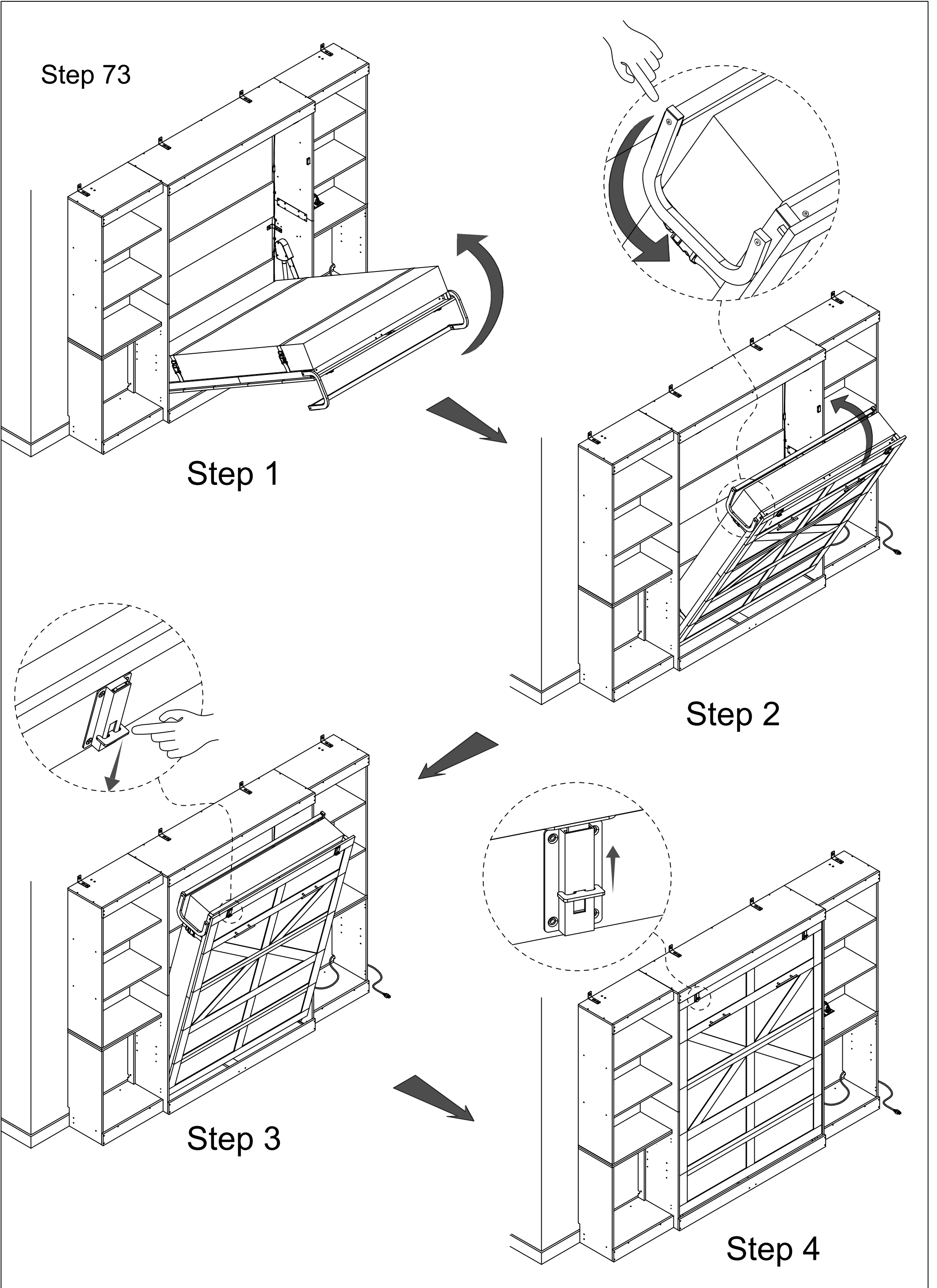
Step 73

Step 1

Step 2

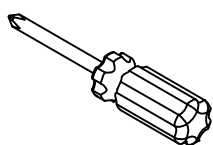

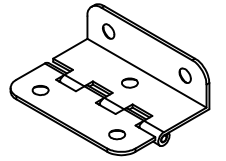
Step 3

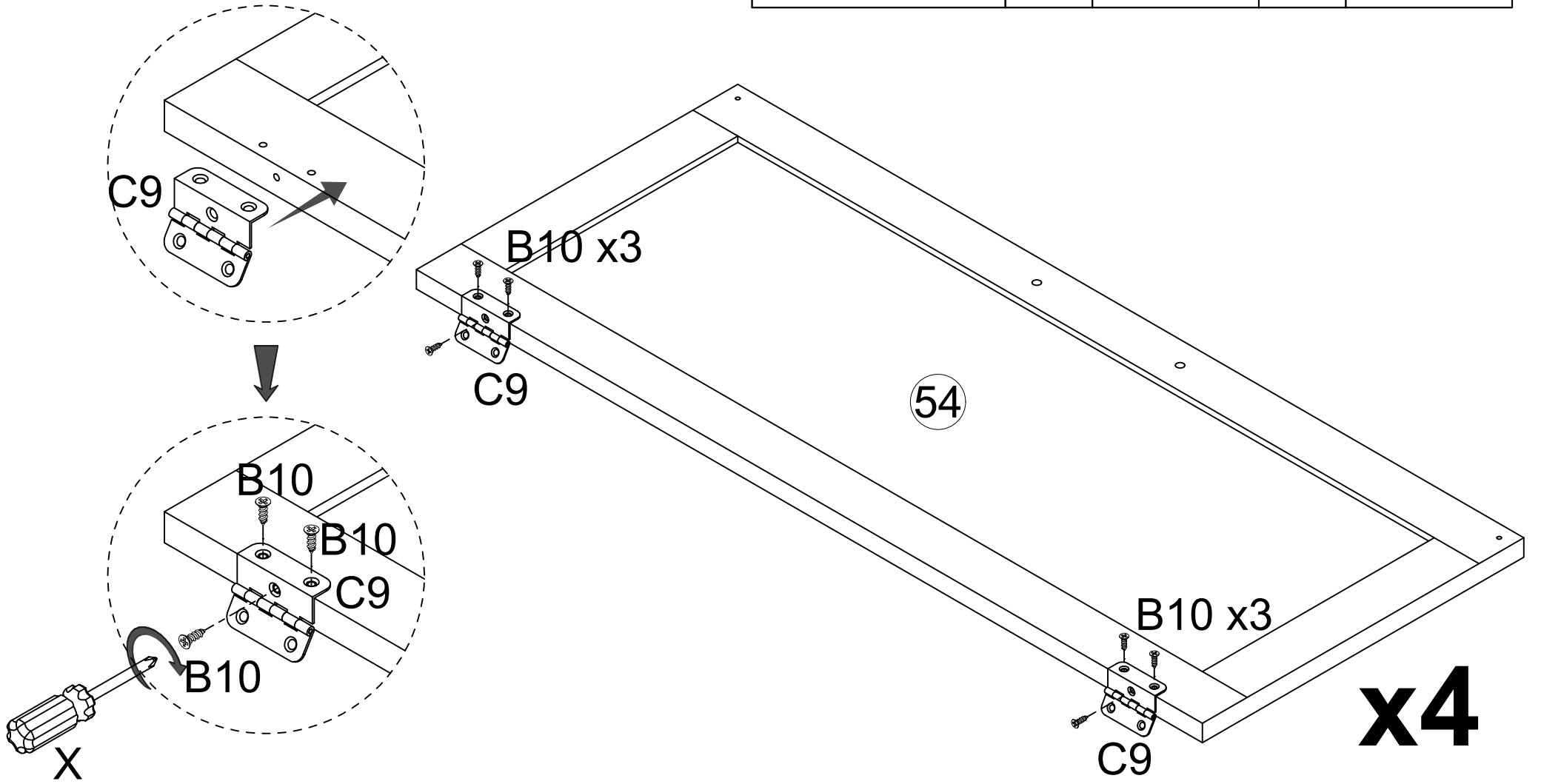
Step 4



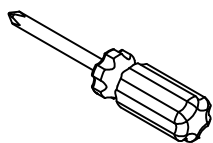
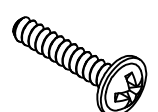
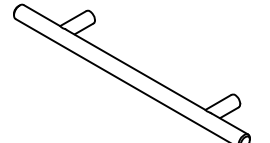
# Assemble

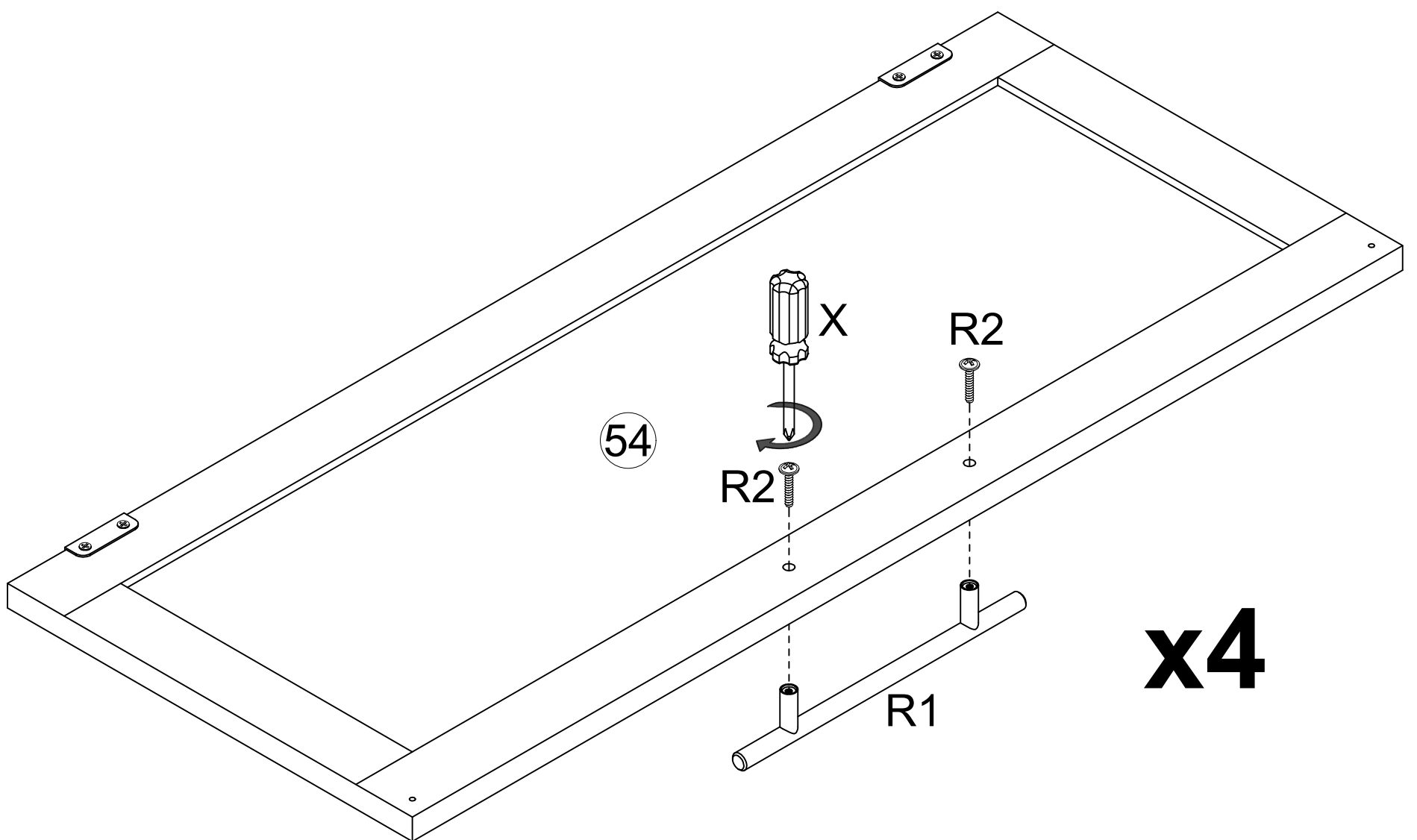
Step 74

		
X	B10 24PCS	C9 8PCS



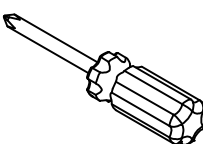

Step 75

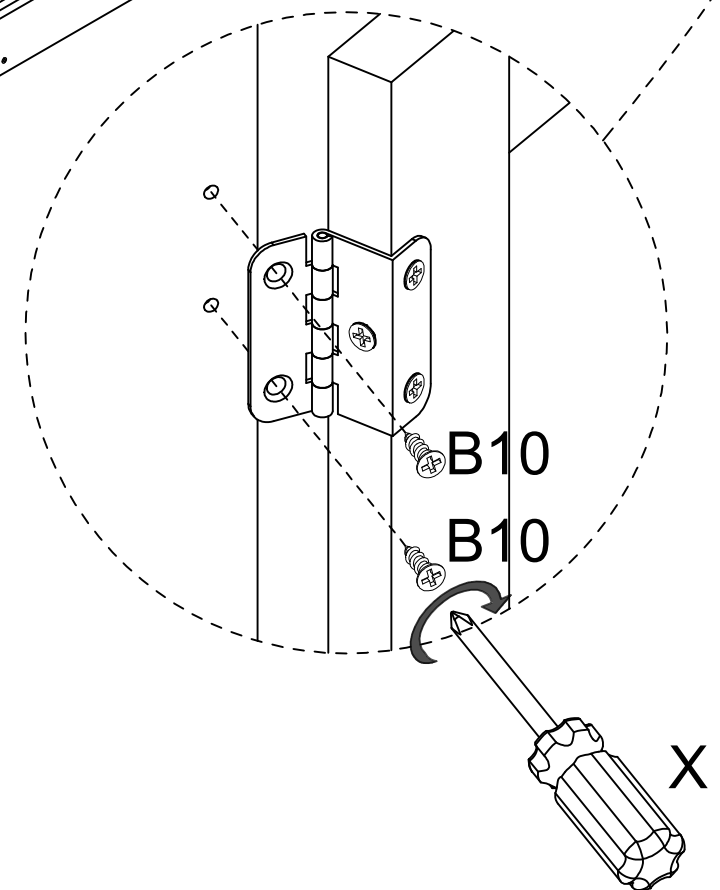
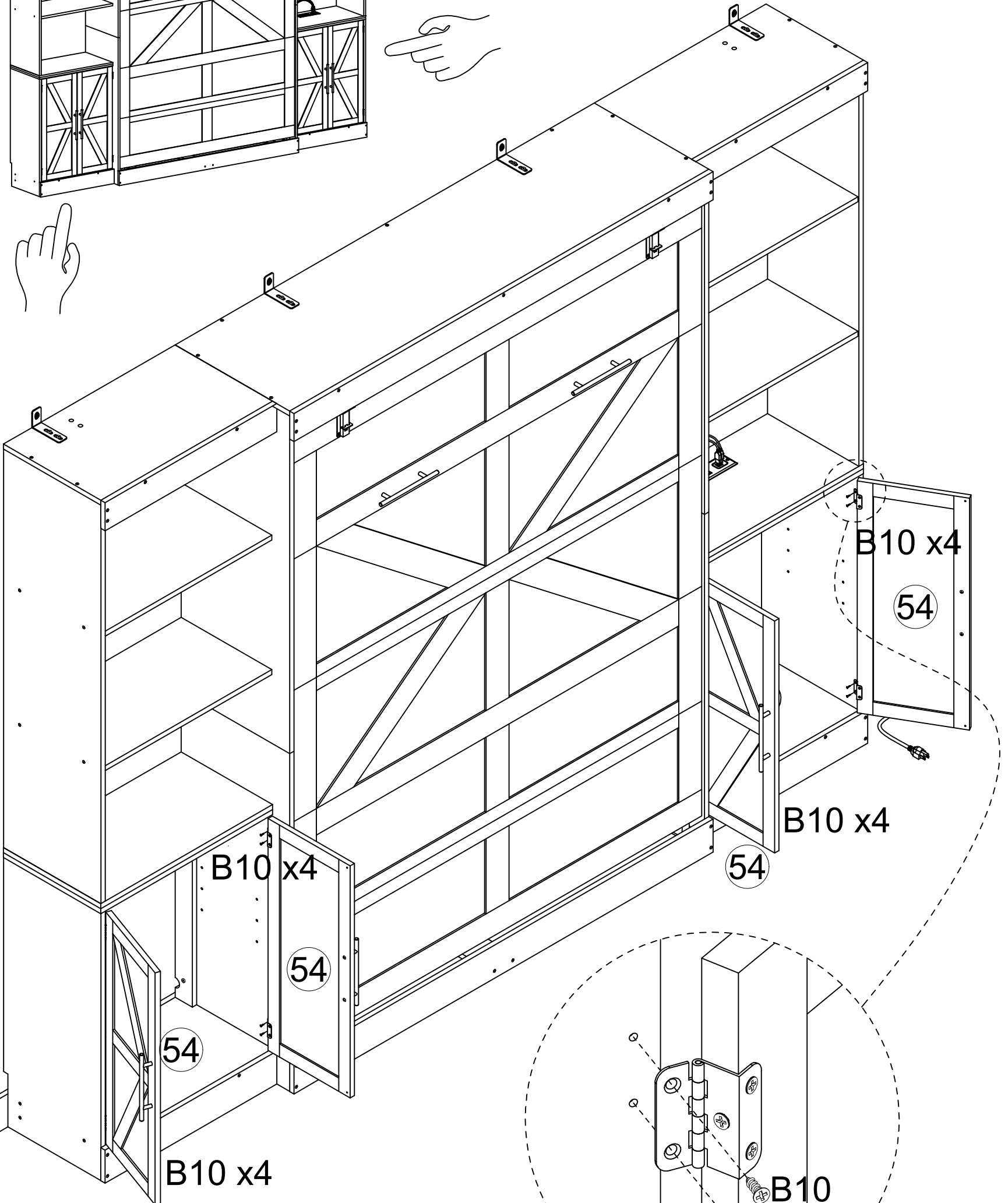
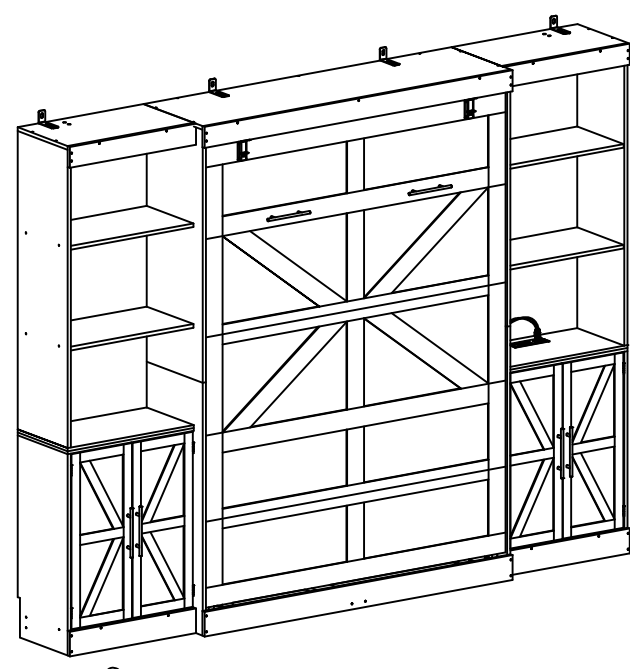
		
X	R2 8PCS	R1 4PCS



# Assemble

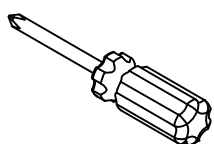

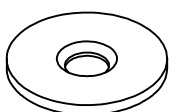
Step 76

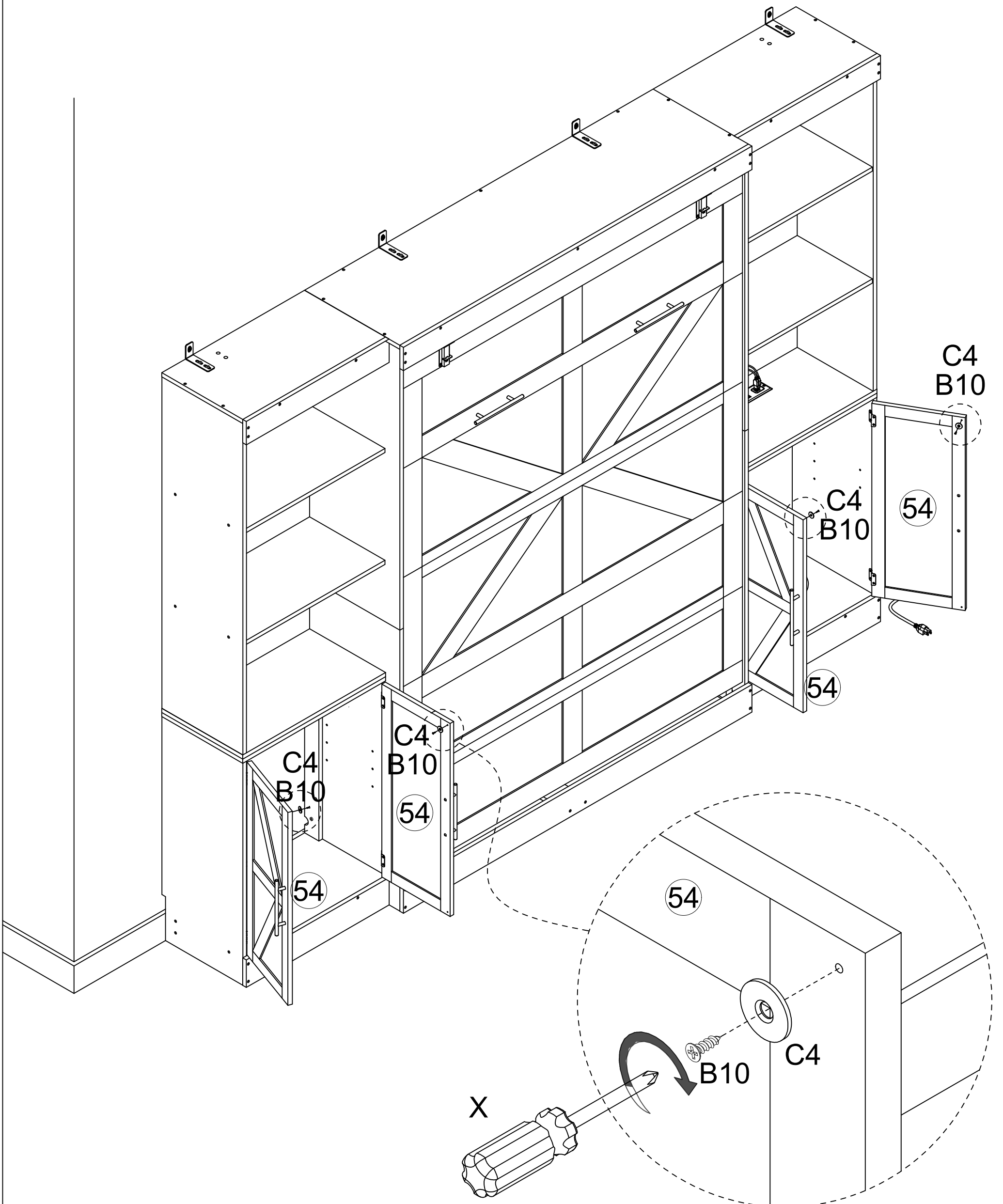
	
X	B10 16PCS



# Assemble

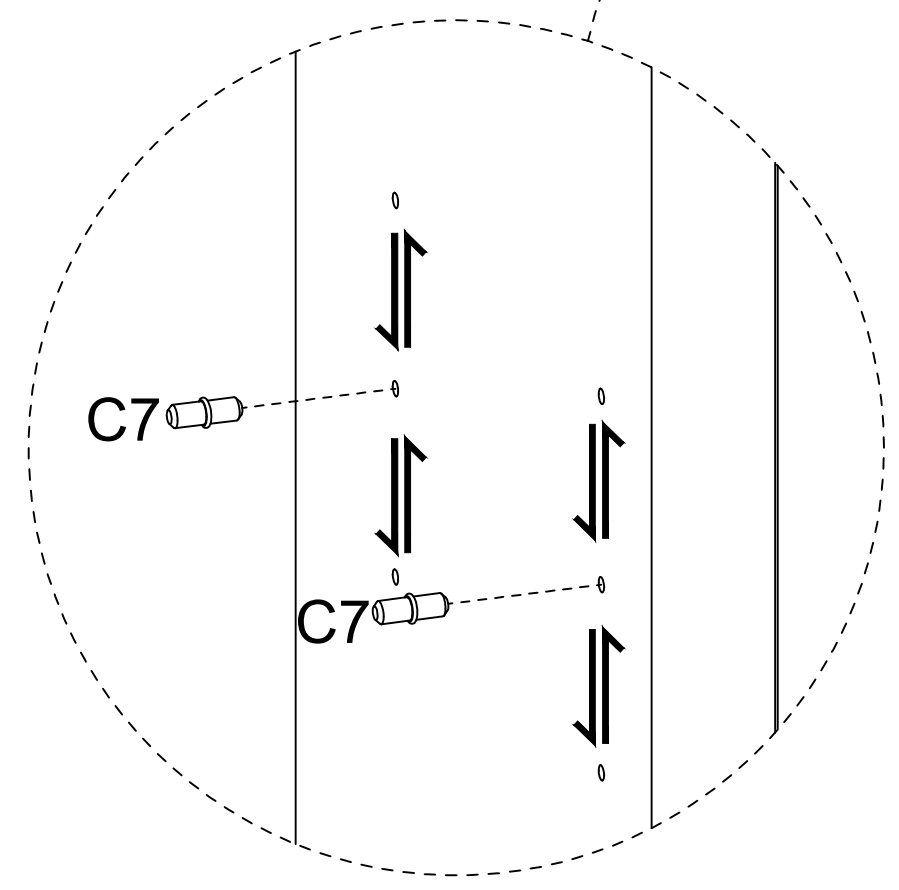
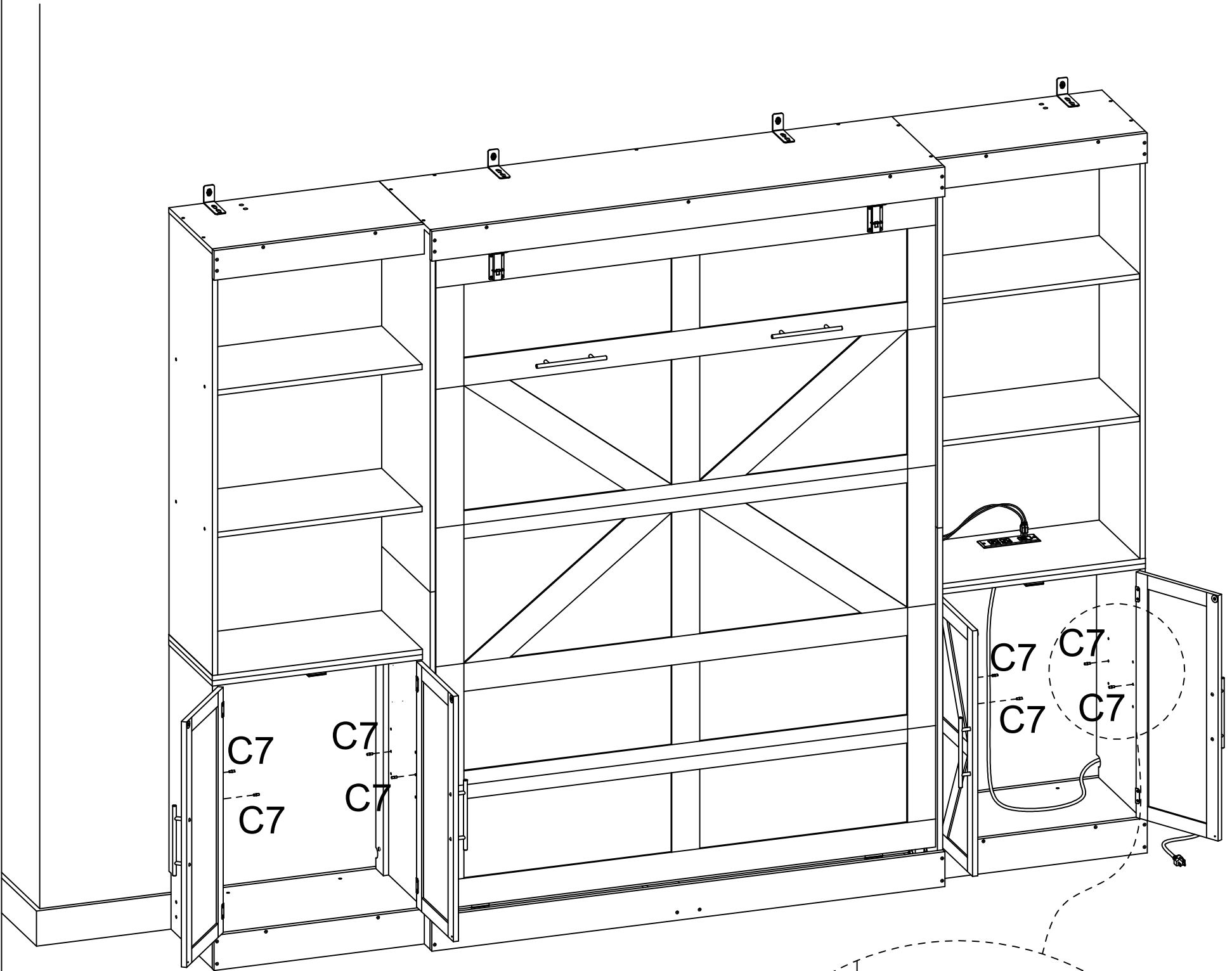
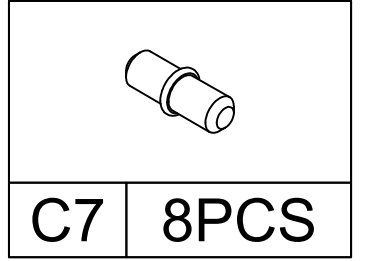
Step 77

		
X	B10 4PCS	C4 4PCS



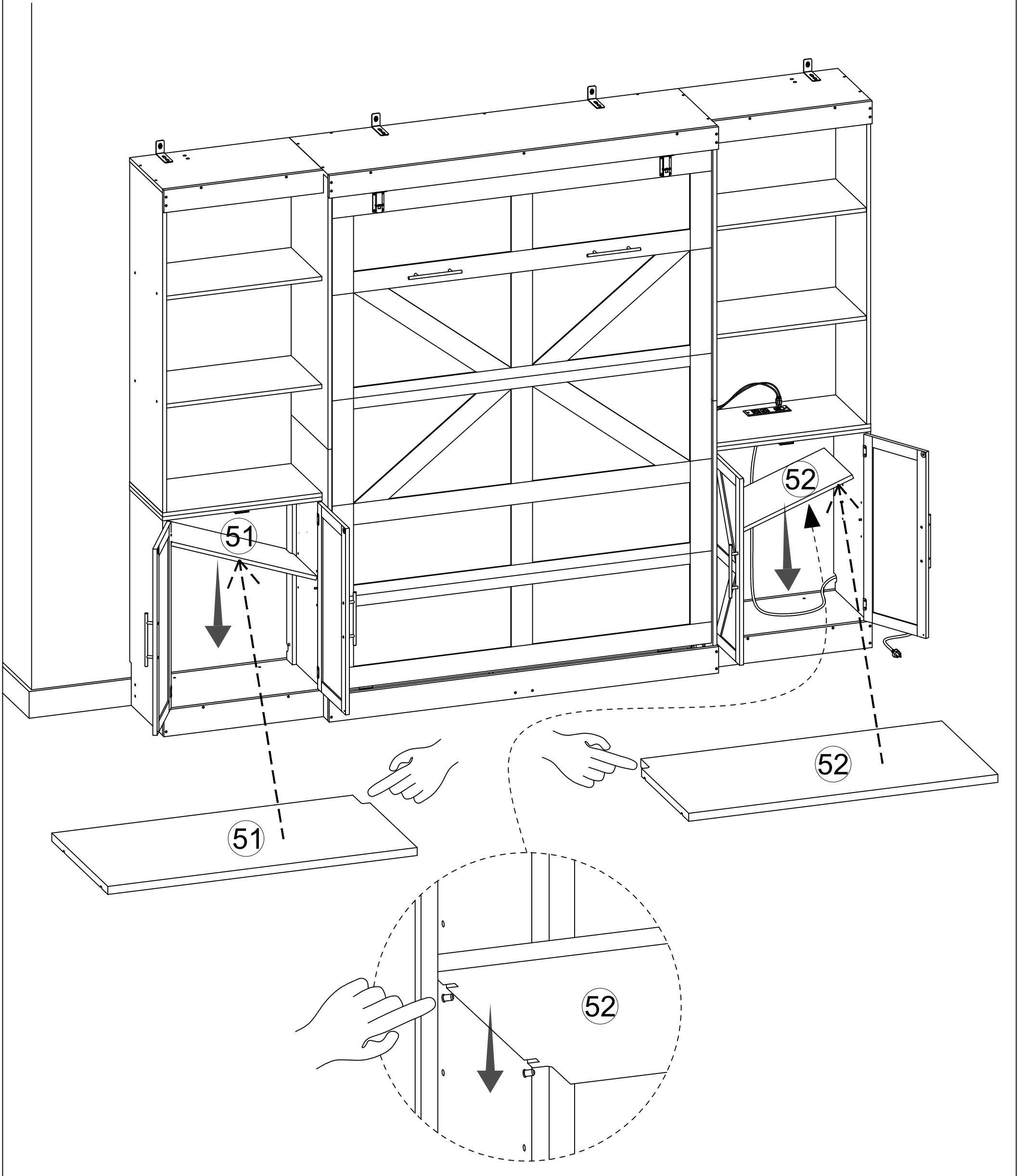
# Assemble

Step 78



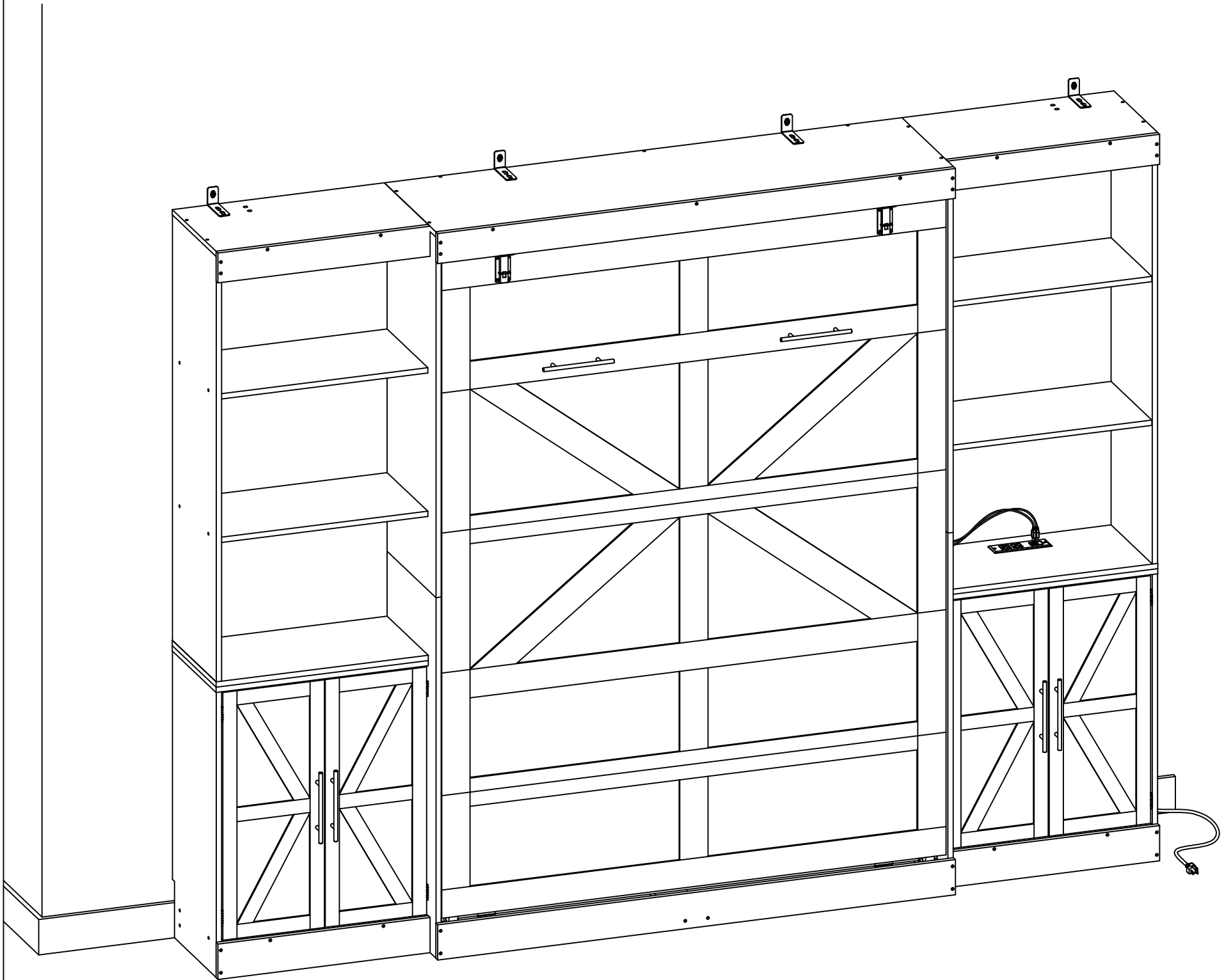
# Assemble

Step 79



# Assemble

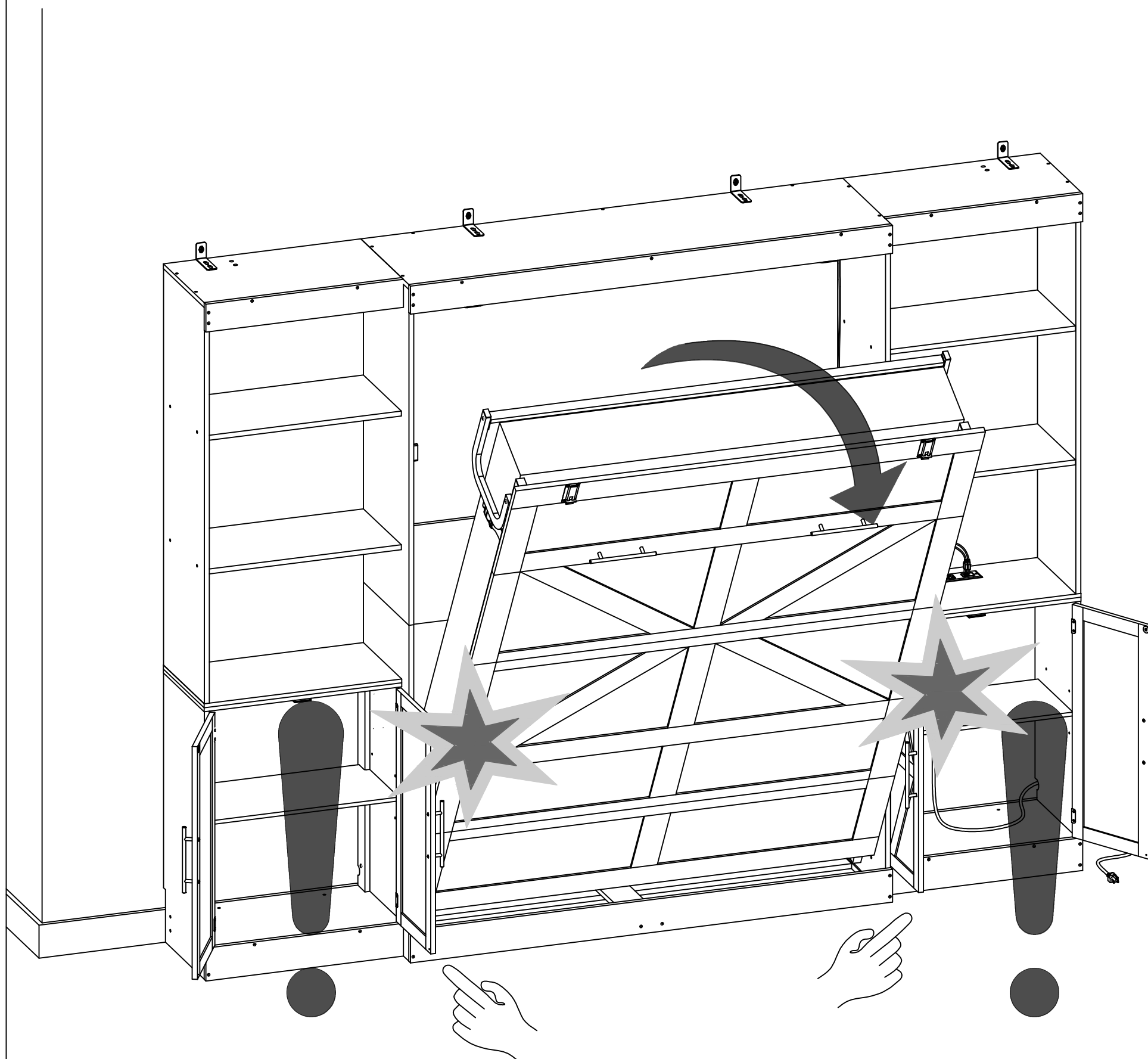
Step 80



**Completion**

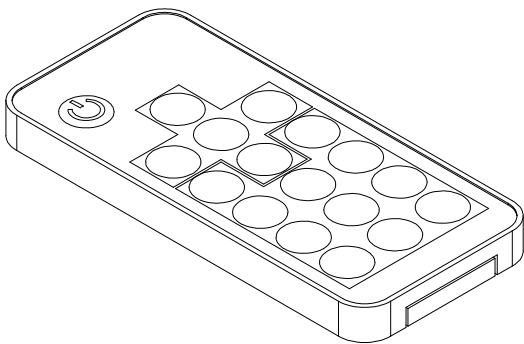
# Assemble

## Step 80



**⚠ WARNING**

Do not deploy the bed with the door open. Risk of collision.



The product contains replaceable batteries.

Battery type(CR2032)

Nominal voltage: 3~5V

- 
- a) The statement "Ensure the batteries are installed correctly according to polarity (+ and -)."
  - b) The statement "Do not mix old and new batteries, different brands or types of batteries, such as alkaline, carbon-zinc, or rechargeable batteries."
  - c) The statement "Remove and immediately recycle or dispose of batteries from equipment not used for an extended period of time according to local regulations."
  - d) The statement "Always completely secure the battery compartment, If the battery compartment does not close securely, stop using the product, remove the batteries, and keep them away from children."