

Kent

80132-311/321/331/341/511/521/531/541 ASSEMBLY INSTRUCTION

Thank you for purchasing this quality product. Be sure to check all packing material carefully for small parts which may have come loose inside the carton during shipment. Separate, identify and count all parts and hardware. Compare with the parts list to be sure all parts are present.

IMPORTANT : PLEASE READ INSTRUCTION BEFORE STARTING THE ASSEMBLY.

"DO NOT TIGHTEN SCREWS UNTIL COMPLETELY ASSEMBLED"

"DO NOT OVERTIGHT ANY HARDWARE"

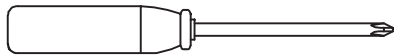
WARNING : SMALL PARTS AND HARDWARE NOT FOR CHILDREN UNDER 3 YEARS. ADULT ASSEMBLY REQUIRED.

TABLE OF CONTENTS

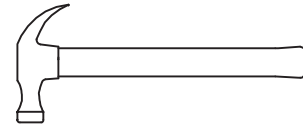
HARDWARES LIST	PAGE 2
PARTS LIST	PAGE 3 - 4
PARTS' LOCATION	PAGE 5
ASSEMBLY STEPS	PAGE 6 - 13
ASSEMBLY COMPLETED	PAGE 13

ASSEMBLY TOOLS REQUIRED

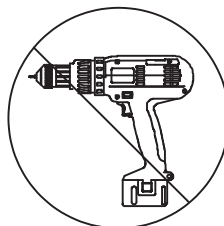
1. Screwdriver (not provide)



2. Hammer (not provide)




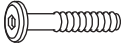
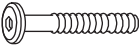









Skip the power drill this time.



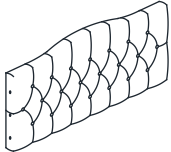
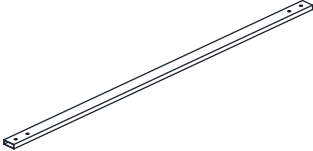
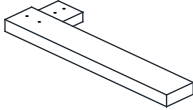
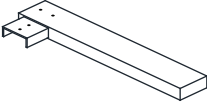
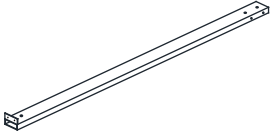
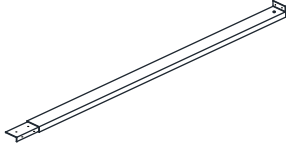
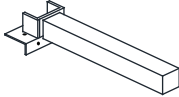
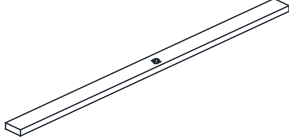
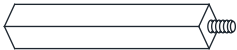
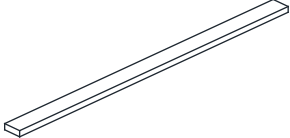
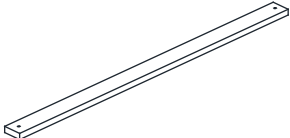
80132-311/321/331/341/511/521/531/541 ASSEMBLY INSTRUCTION

HARDWARES LIST

ITEM	DESCRIPTION	DRAWING	QTY
A	JCBC SCREW M8 x 70MM		4 PCS
B	WOOD DOWEL M10 x 30MM		4 PCS
C	JCBC SCREW M6 x 15MM		20 PCS
D	JCBC SCREW M6 x 35MM		10 PCS
E	JCBC SCREW M6 x 50MM		2 PCS
F	SPRING WASHER M6 x 12MM		12 PCS
G	FLAT WASHER M6 x 19MM		12 PCS
H	SPRING WASHER M8 x 13MM		4 PCS
I	FLAT WASHER M8 x 22MM		4 PCS
J	M4 ALLEN KEY (100MM)		1 PC
K	M5 ALLEN KEY (65MM)		1 PC
L	SUPPORT LEG ADJUSTABLE FEET		4 PCS

80132-311/321/331/341/511/521/531/541 ASSEMBLY INSTRUCTION

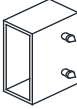
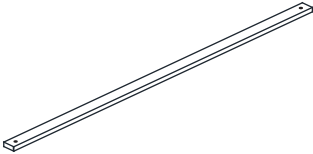
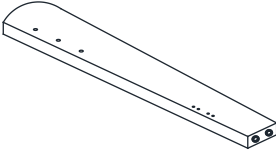
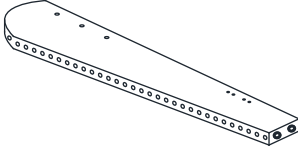
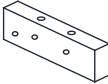
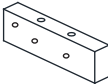



PARTS LIST

ITEM	DESCRIPTION	DRAWING	QTY
1	HEADBOARD		1 PC
2	FOOTBOARD METAL TUBE		1 PC
3	FOOTBOARD LEG (L)		1 PC
4	FOOTBOARD LEG (R)		1 PC
5	SIDE RAIL		2 PCS
6	SIDE RAIL		2 PCS
7	SIDE RAIL LEG		2 PCS
8	SLAT WITH NUT		4 PCS
9	SUPPORT LEG WITH HANGER BOLT		4 PCS
10	SLAT		8 PCS
11	CENTER SUPPORT		2 PCS

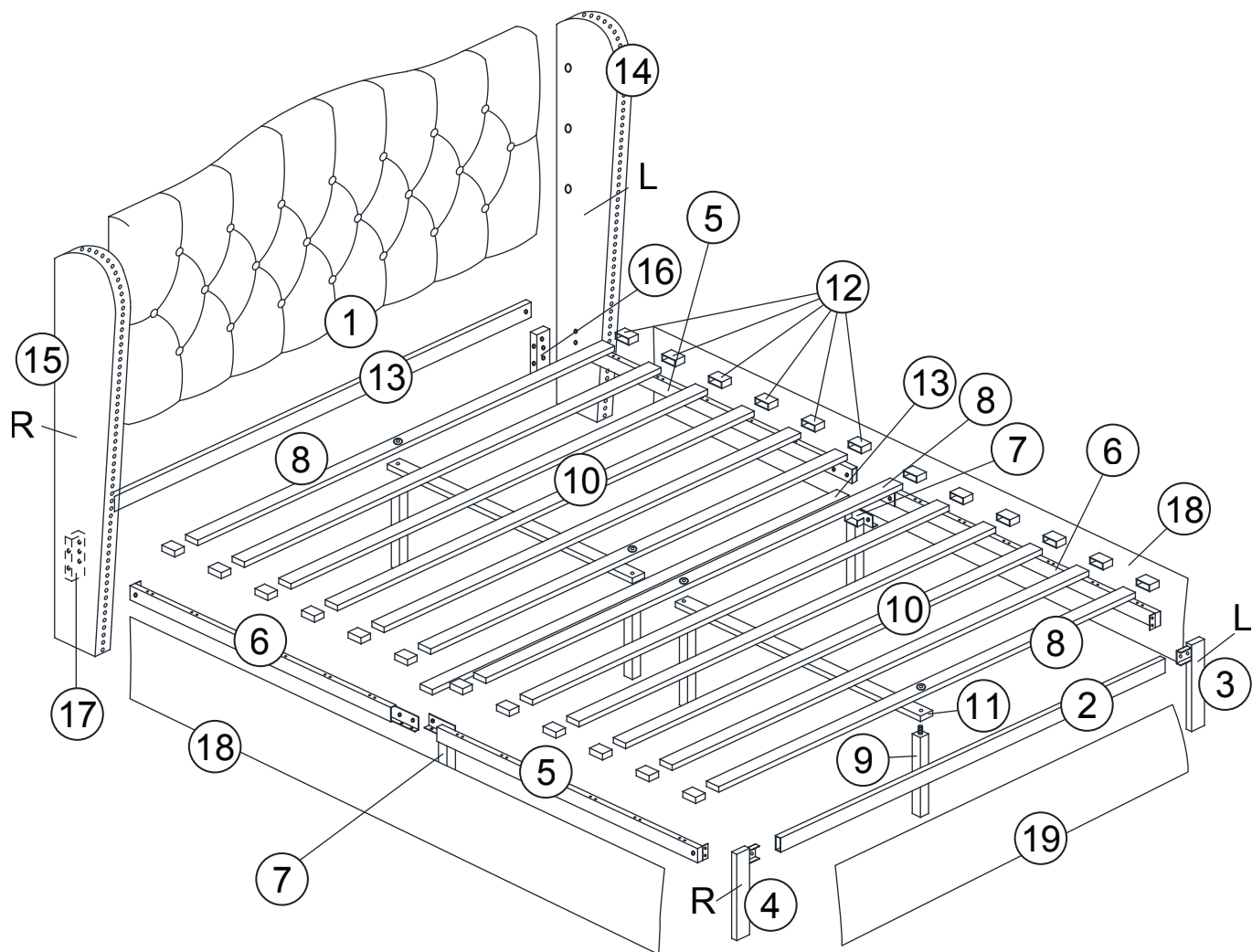
MORE PARTS DETAIL IN NEXT PAGE...

80132-311/321/331/341/511/521/531/541 ASSEMBLY INSTRUCTION

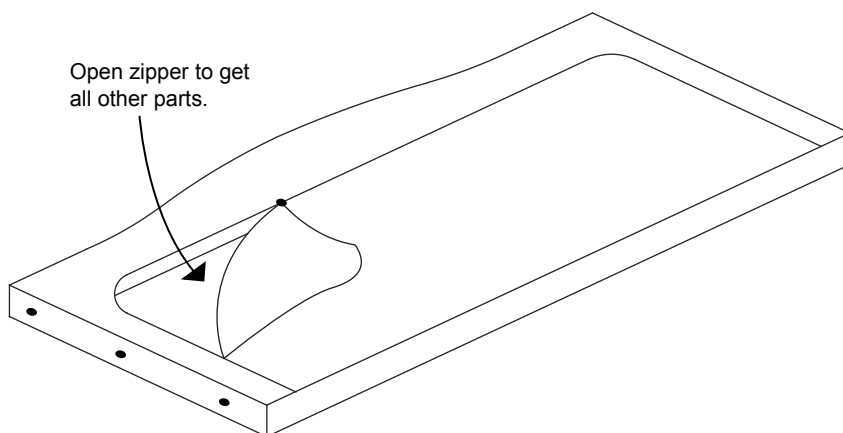
PARTS LIST

ITEM	DESCRIPTION	DRAWING	QTY
12	SOCKET		24 PCS
13	SUPPORT RAIL		2 PCS
14	WING (L)		1 PC
15	WING (R)		1 PC
16	WING SUPPORT (L)		1 PC
17	WING SUPPORT (R)		1 PC
18	SIDE RAIL COVER		2 PCS
19	FOOTBOARD COVER		1 PC
24	VELCRO TAPE		1 PC

PARTS ' LOCATION

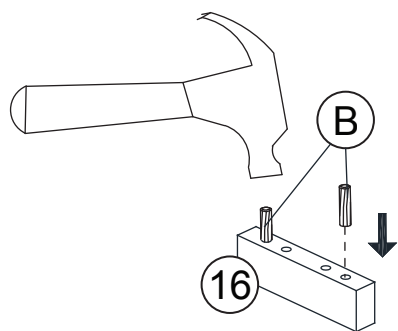
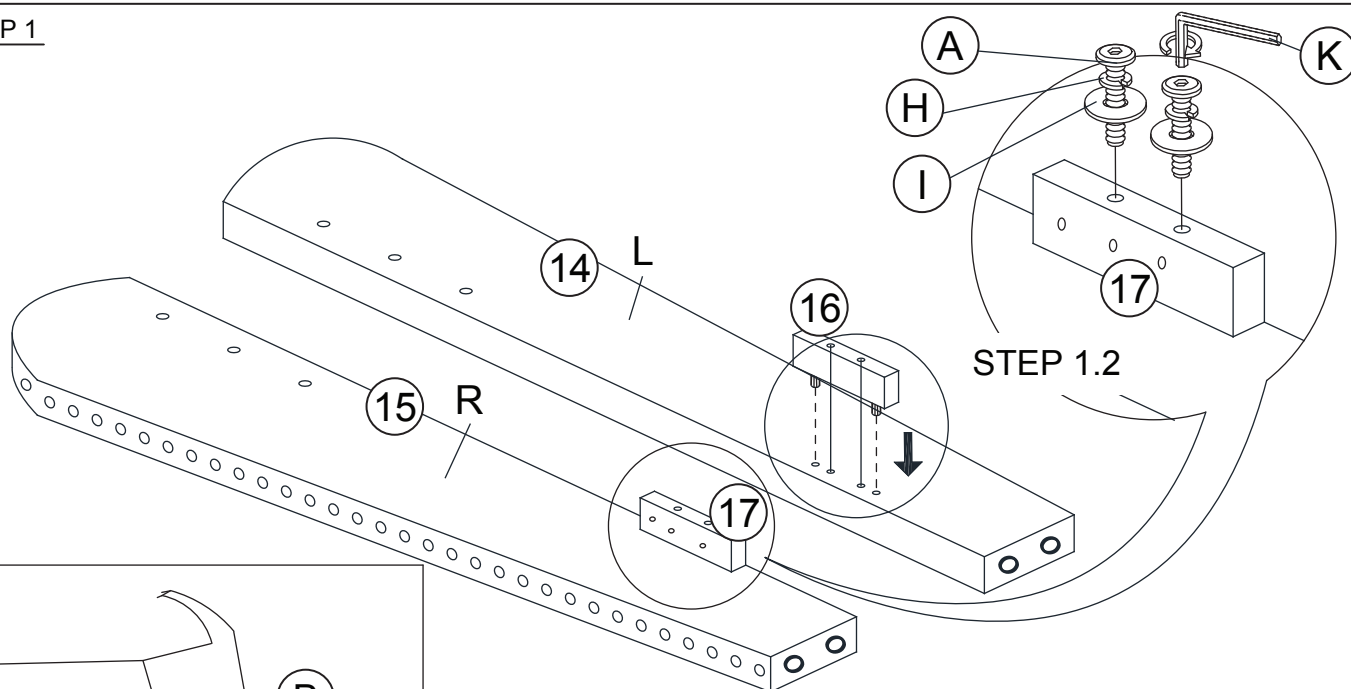


Open zipper to get
all other parts.



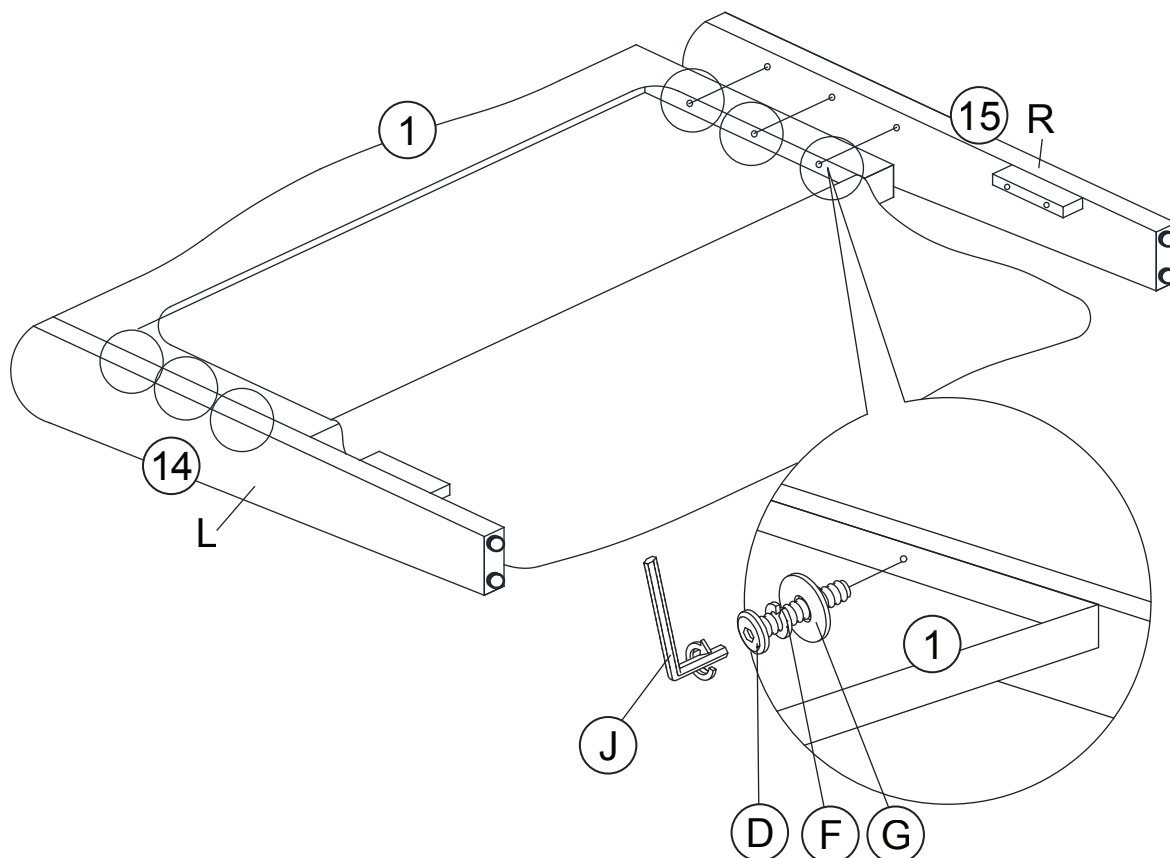
80132-311/321/331/341/511/521/531/541 ASSEMBLY INSTRUCTION

STEP 1



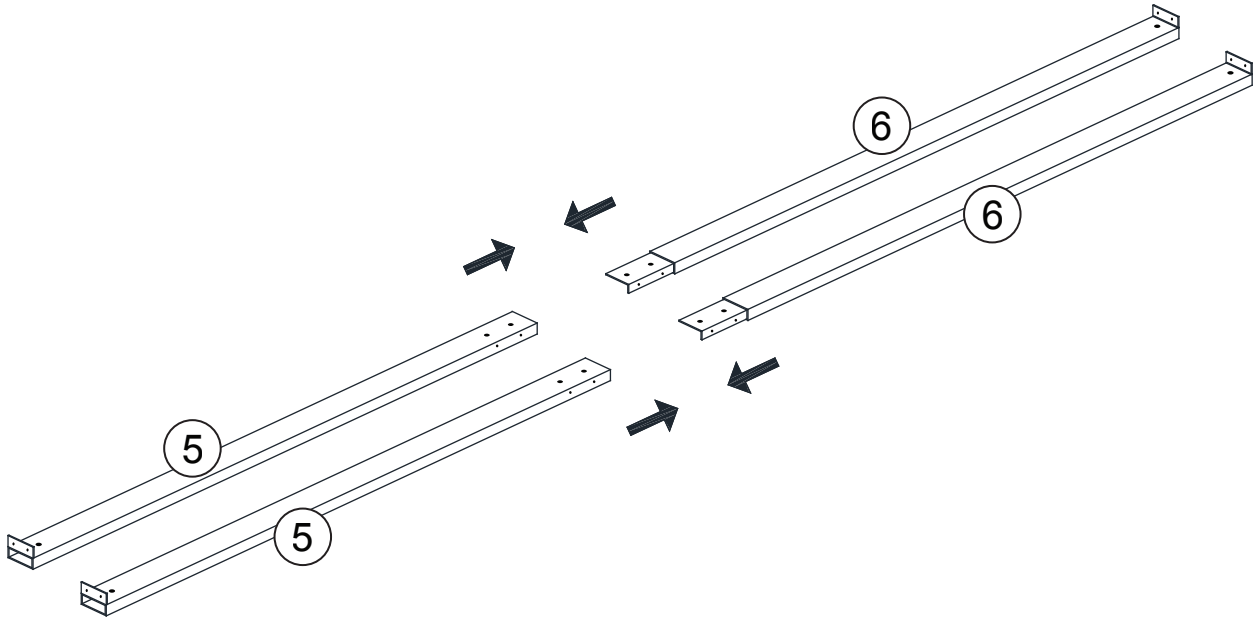
STEP 1.1

STEP 2

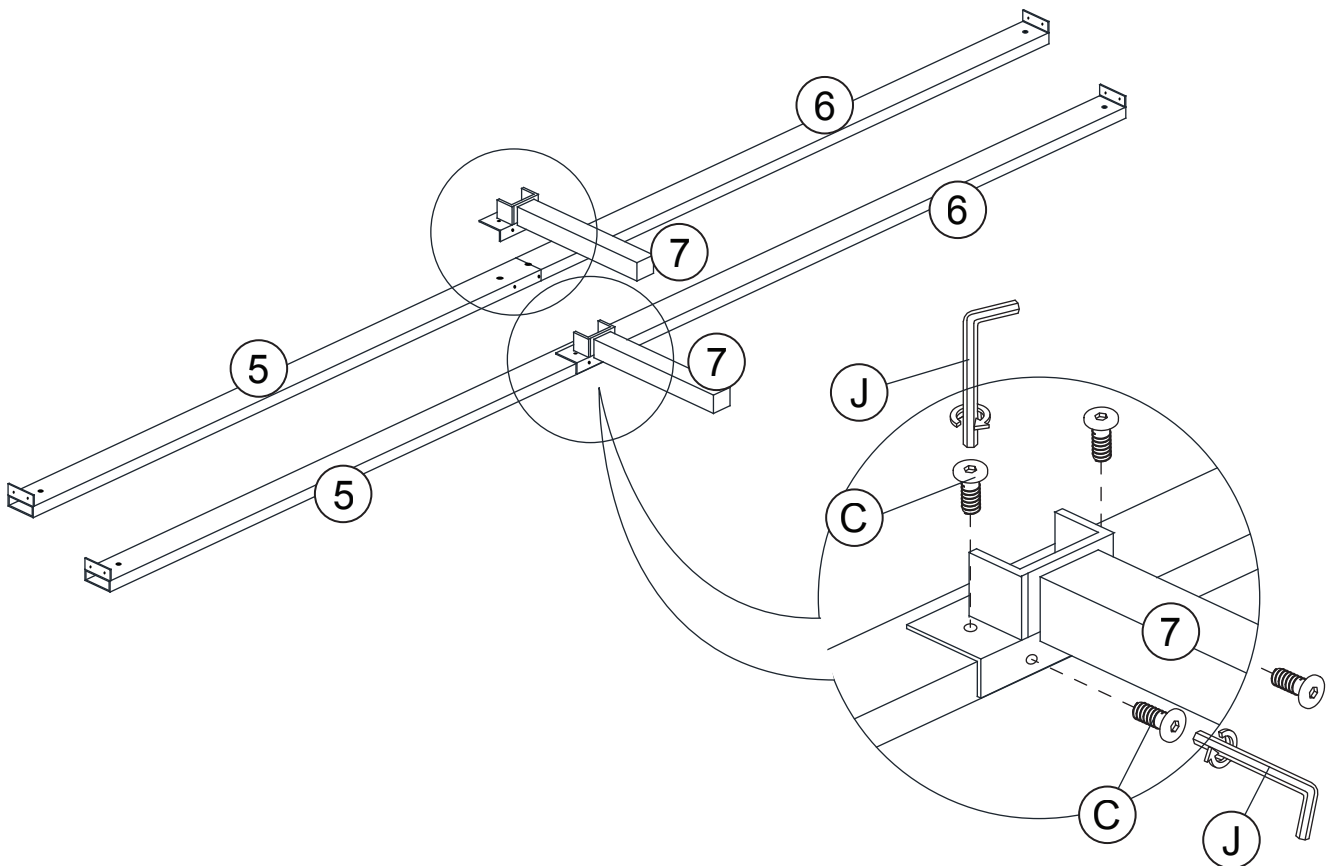


80132-311/321/331/341/511/521/531/541 ASSEMBLY INSTRUCTION

STEP 3

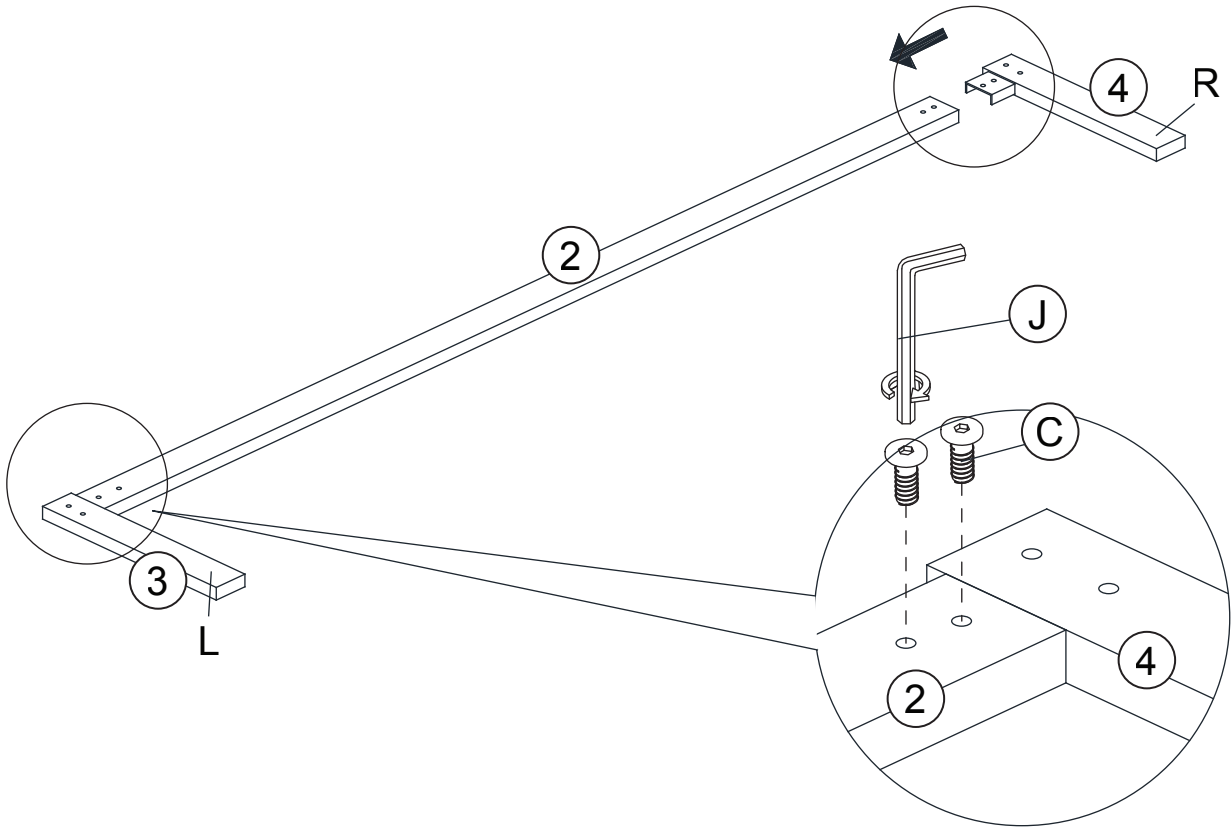


STEP 4

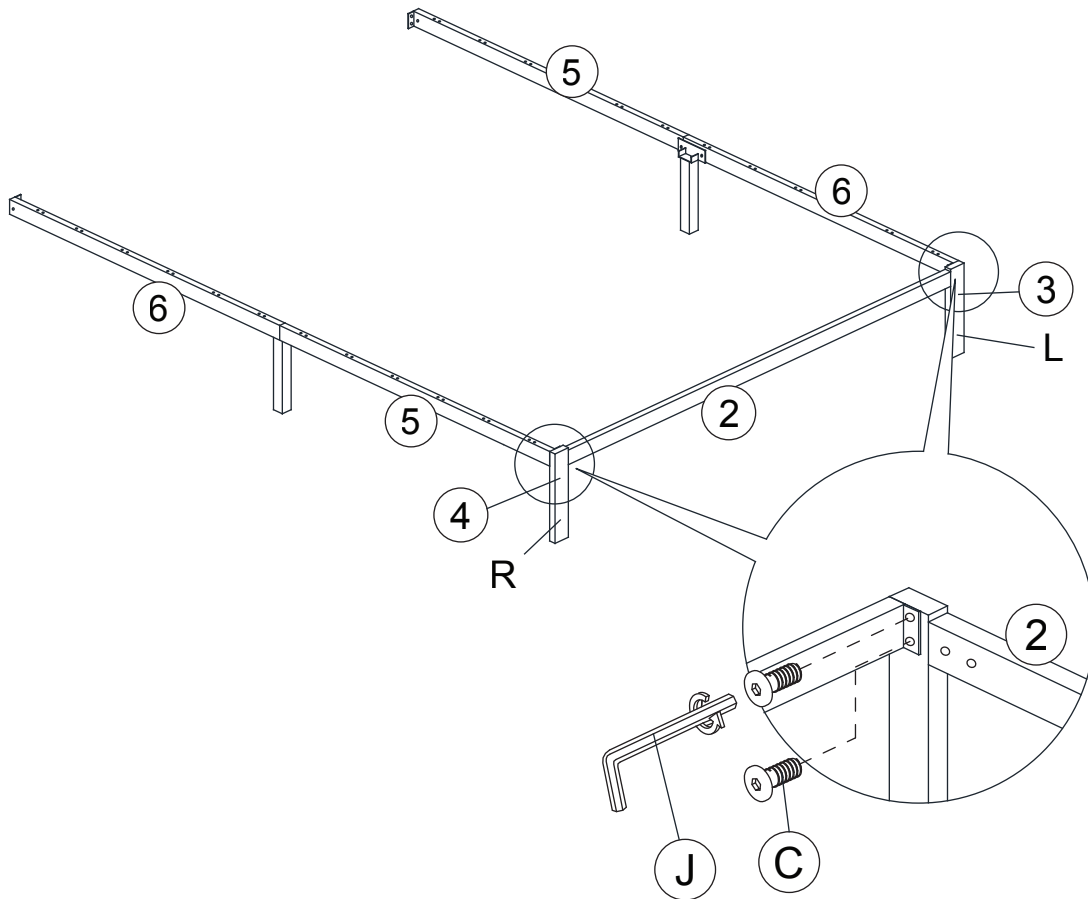


80132-311/321/331/341/511/521/531/541 ASSEMBLY INSTRUCTION

STEP 5

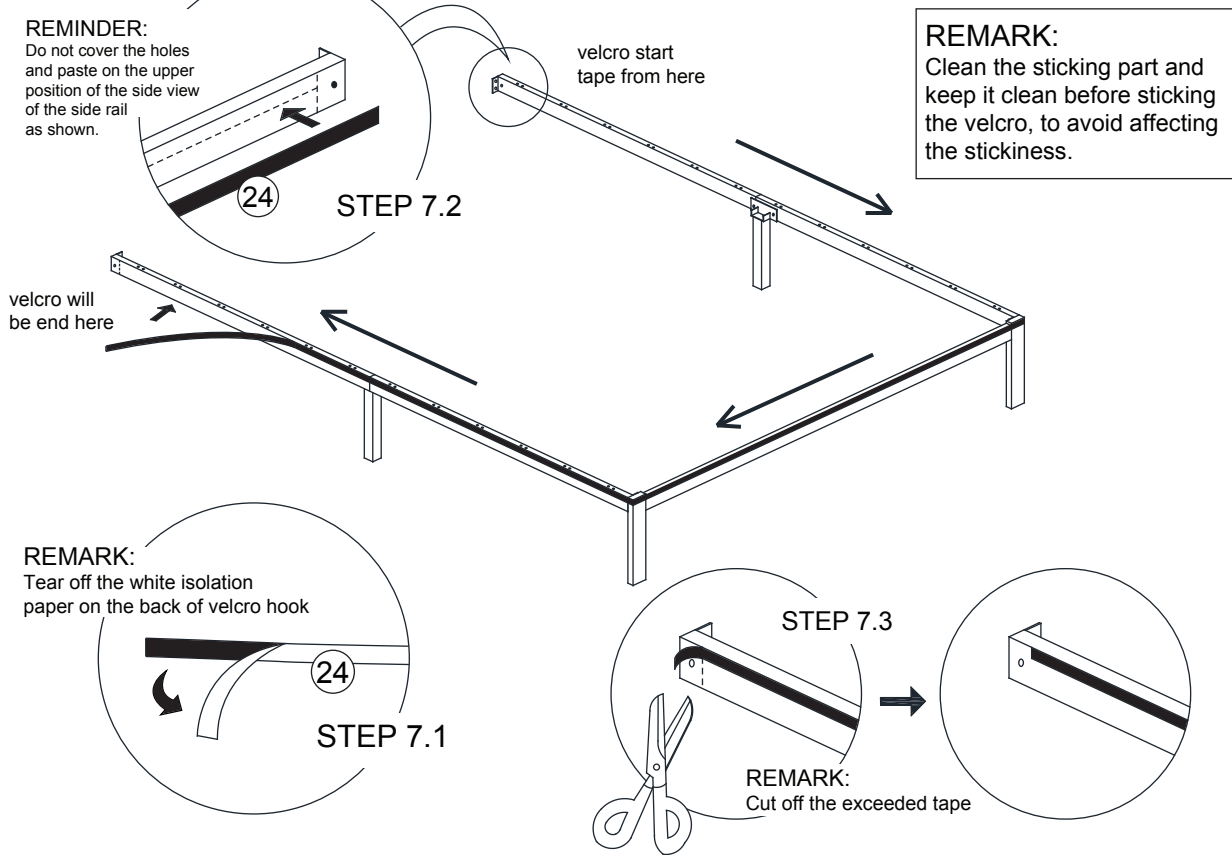


STEP 6

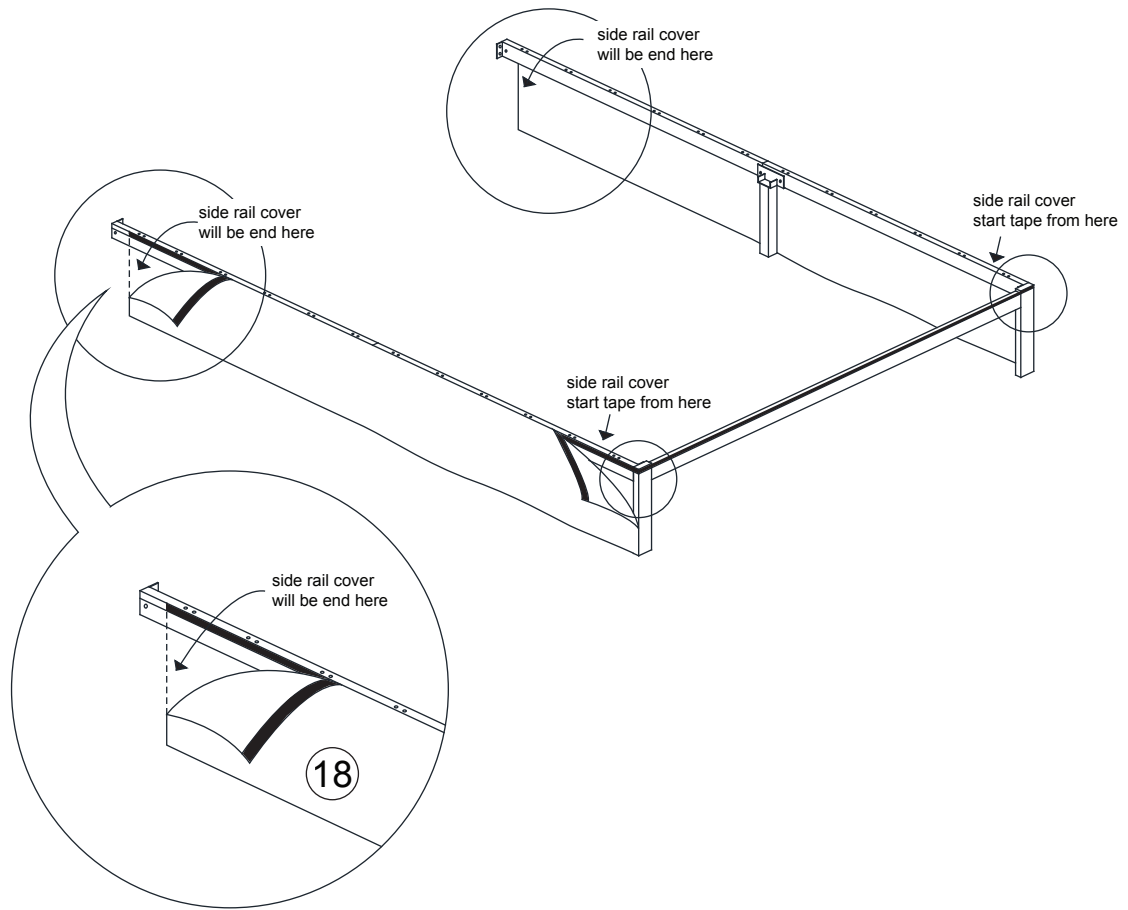


80132-311/321/331/341/511/521/531/541 ASSEMBLY INSTRUCTION

STEP 7

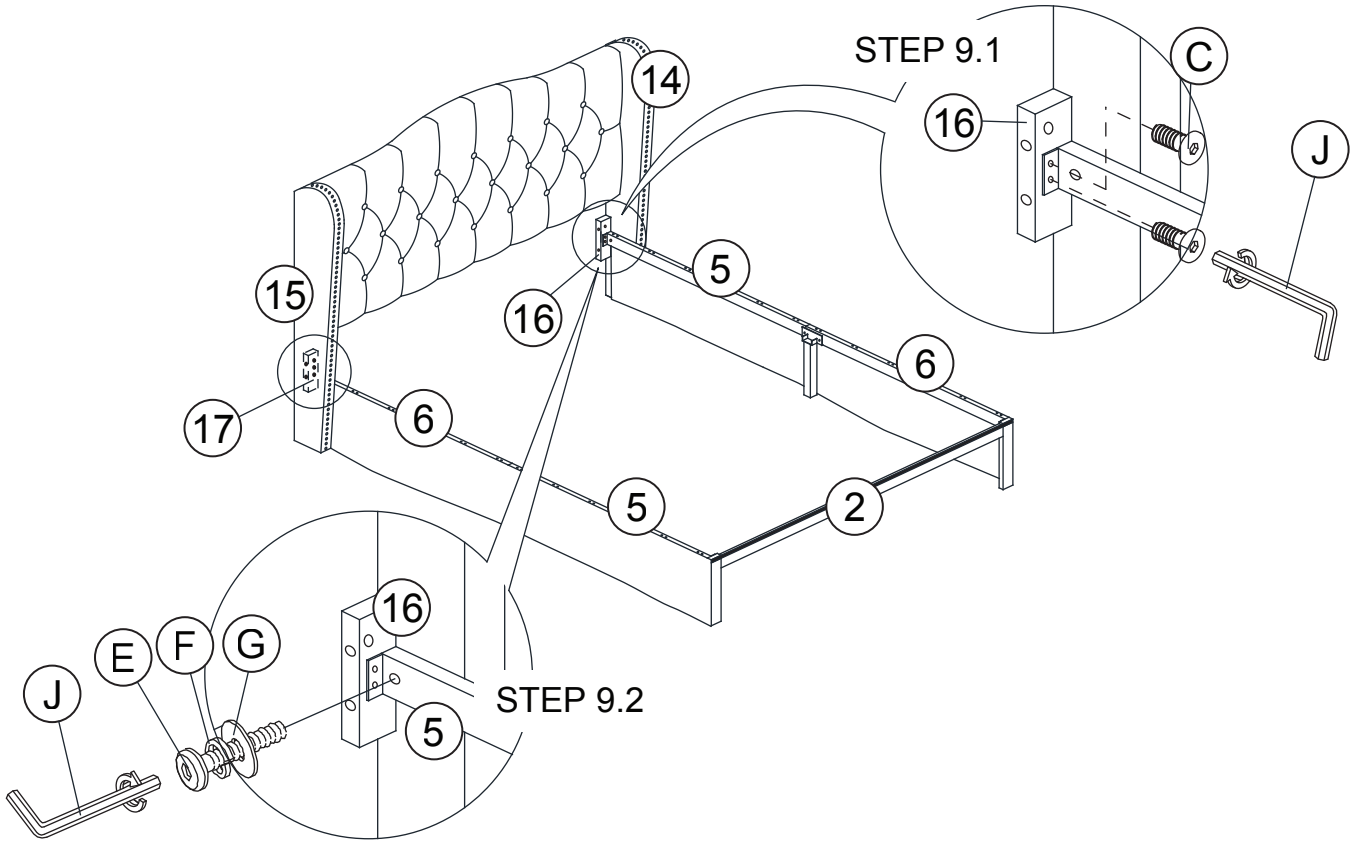


STEP 8

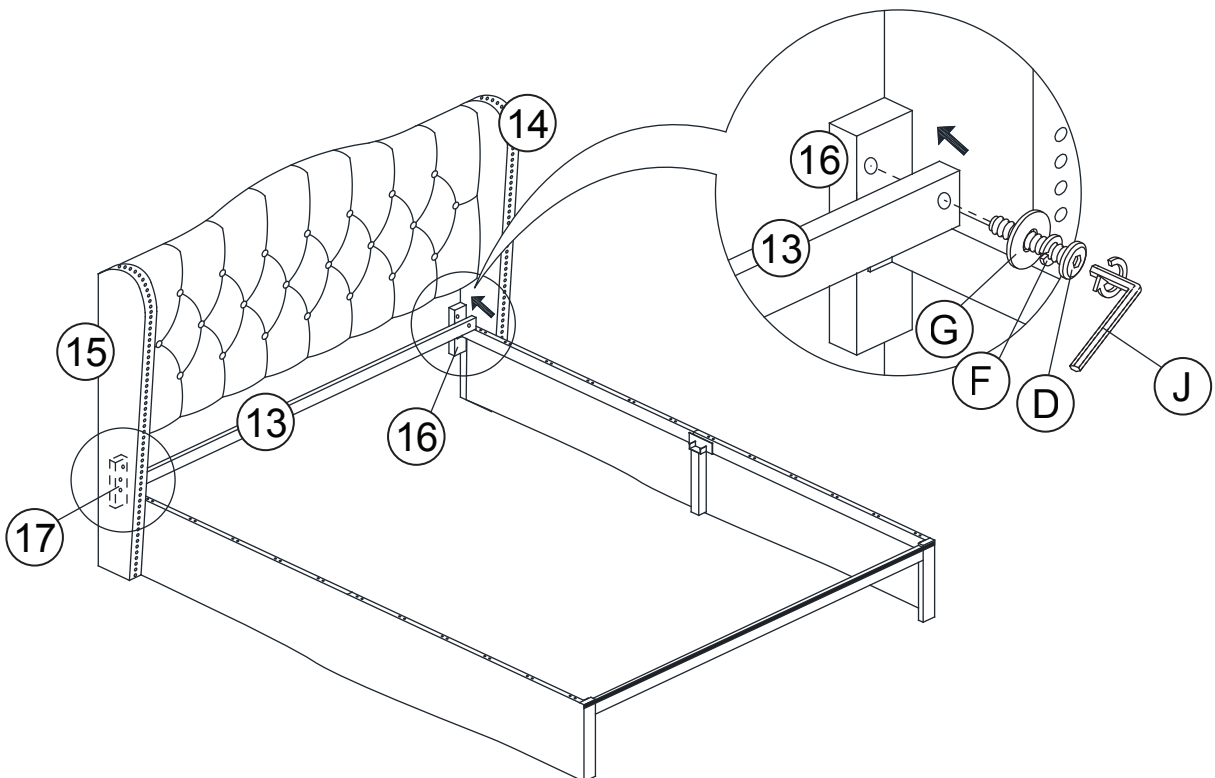


80132-311/321/331/341/511/521/531/541 ASSEMBLY INSTRUCTION

STEP 9

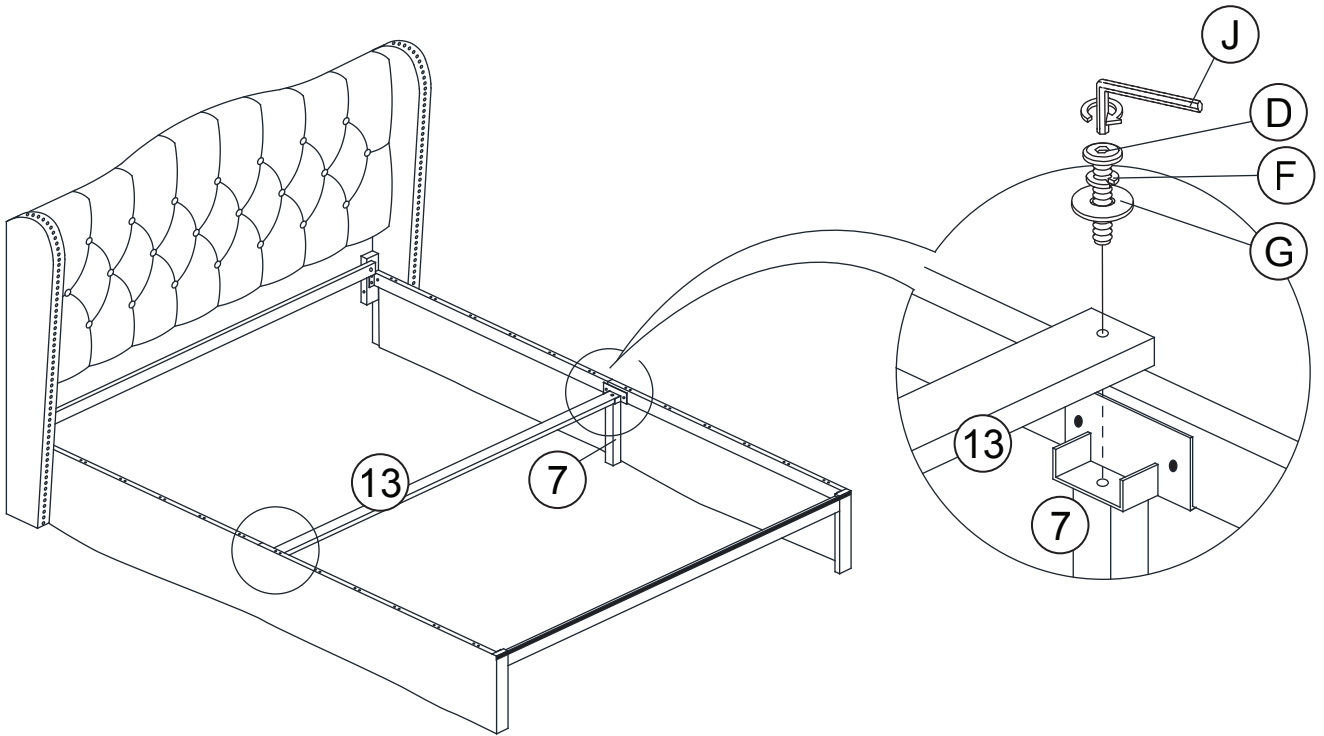


STEP 10

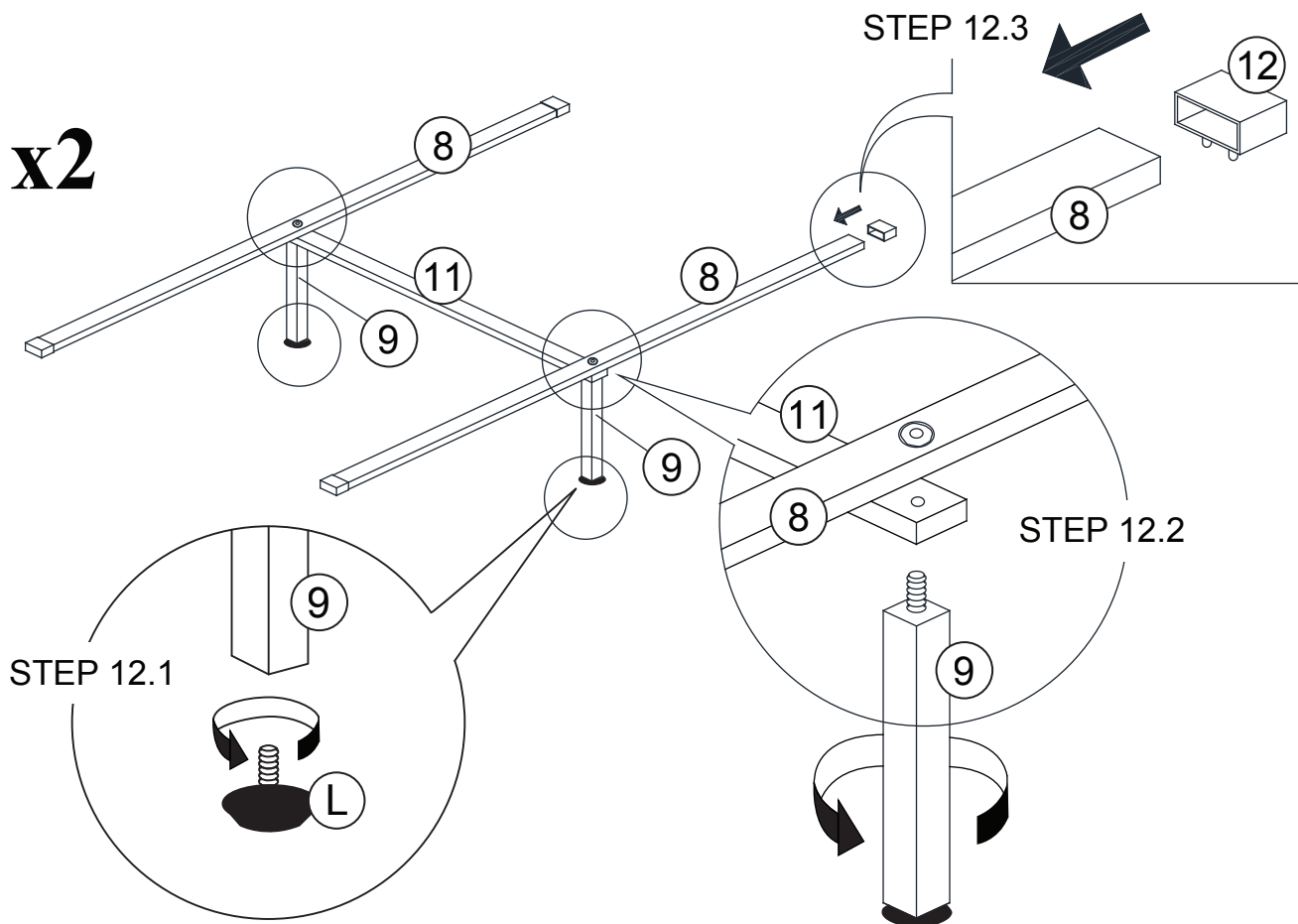


80132-311/321/331/341/511/521/531/541 ASSEMBLY INSTRUCTION

STEP 11

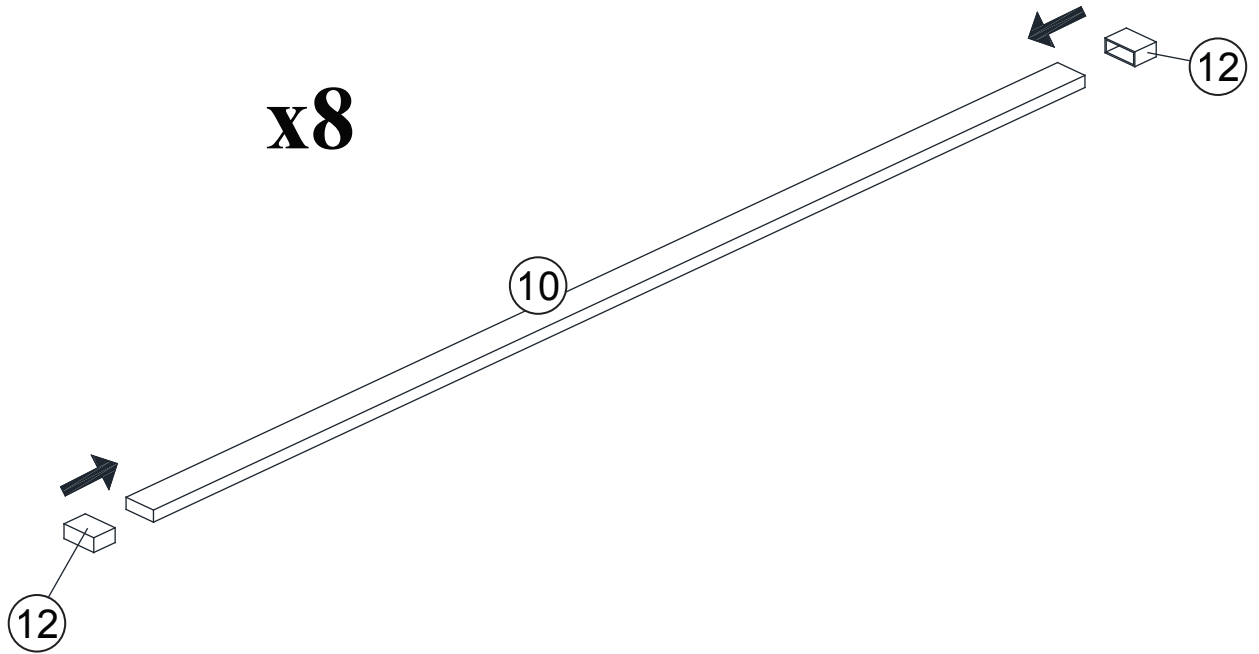


STEP 12

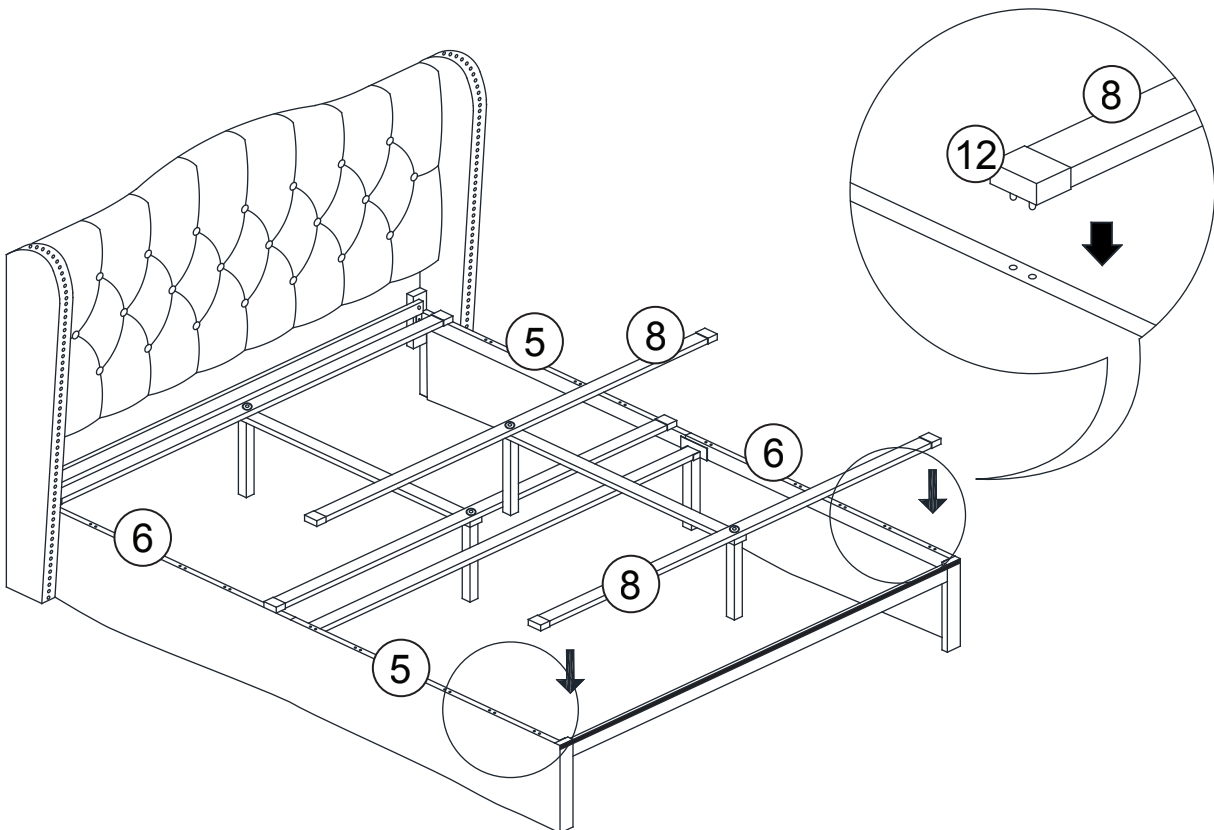


80132-311/321/331/341/511/521/531/541 ASSEMBLY INSTRUCTION

STEP 13

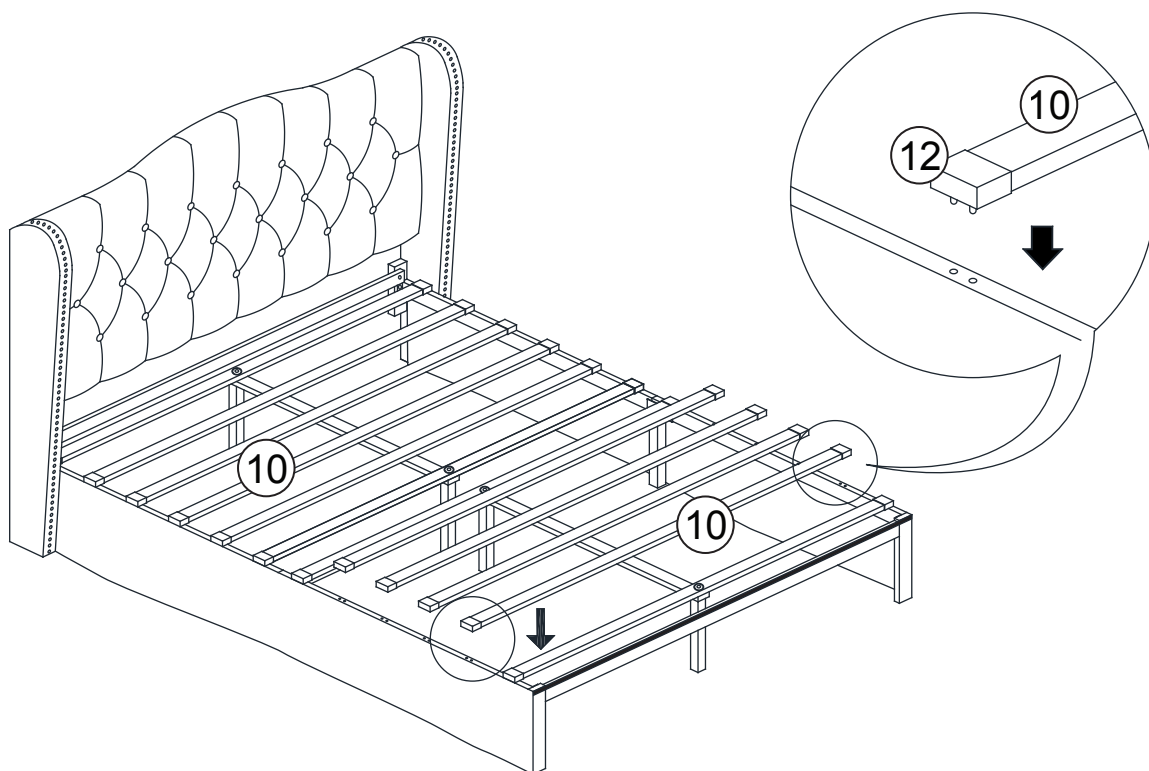


STEP 14

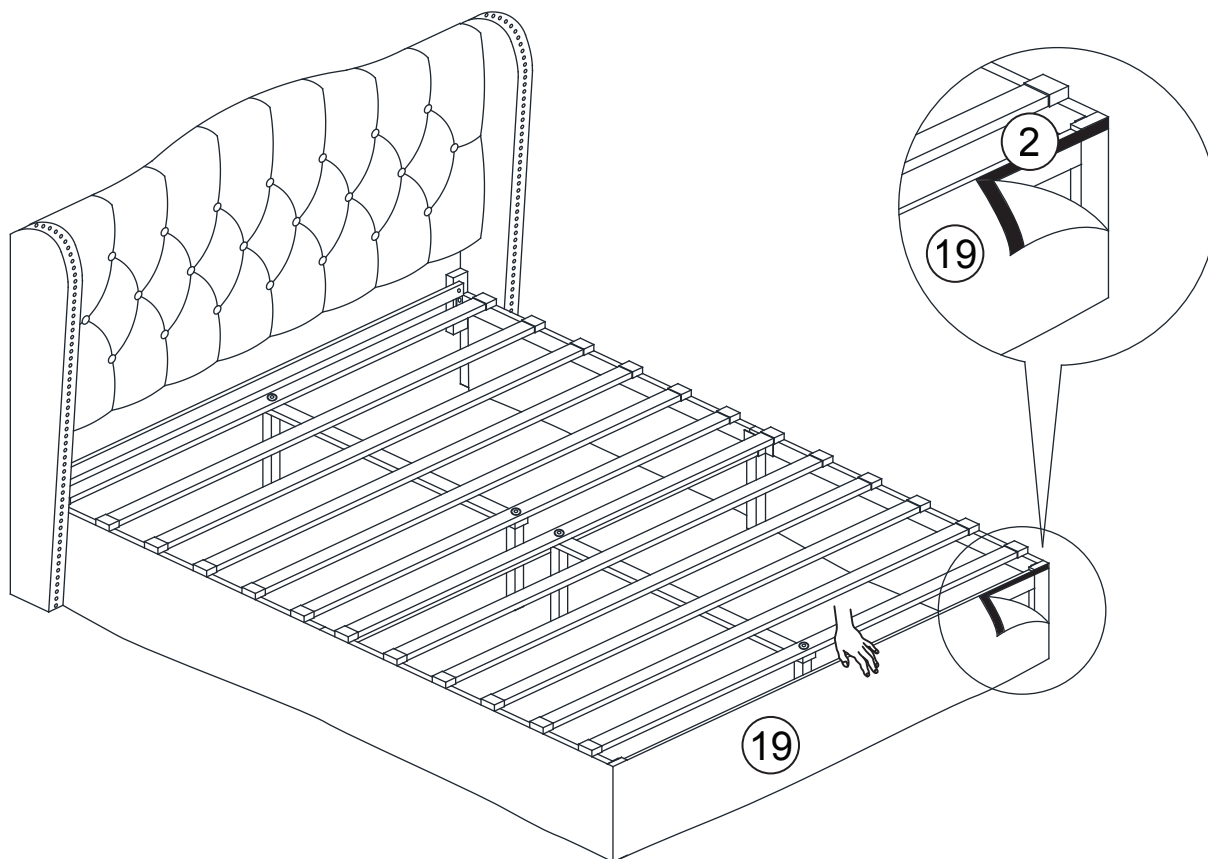


80132-311/321/331/341/511/521/531/541 ASSEMBLY INSTRUCTION

STEP 15



STEP 16



ASSEMBLY COMPLETED