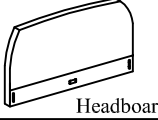


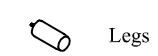

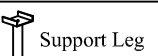


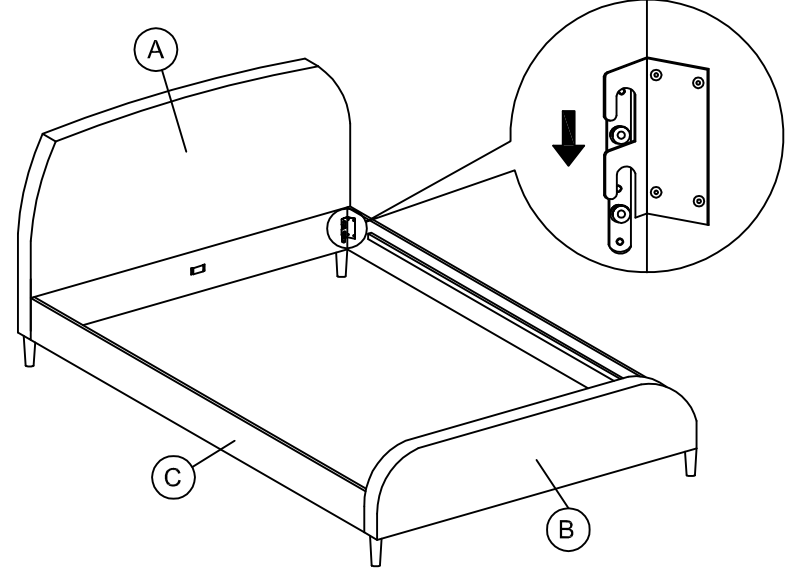
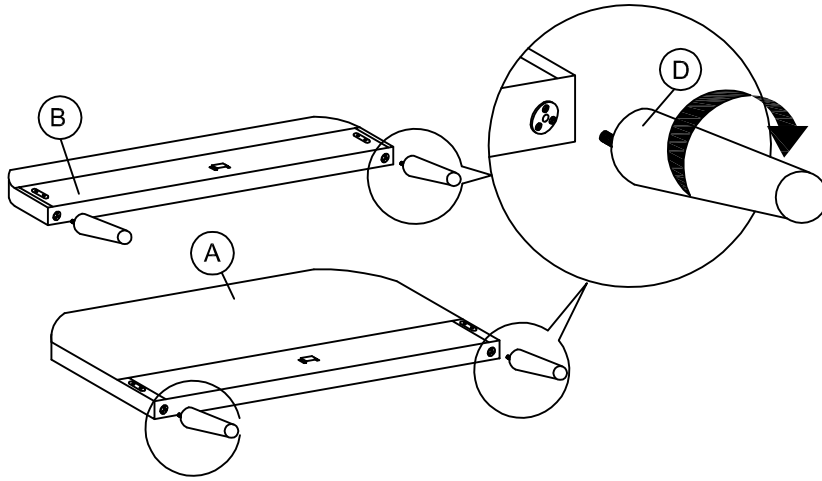
# ASSEMBLY INSTRUCTION

4'6"

Step 1: Install the legs (D) to footboard (B) and headboard (A).




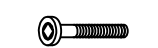
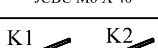
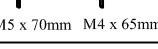
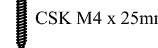

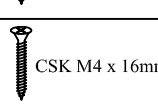
Step 2: Attach side rail (C) to footboard (B) and headboard (A) by pushing the bracket down to fit it.

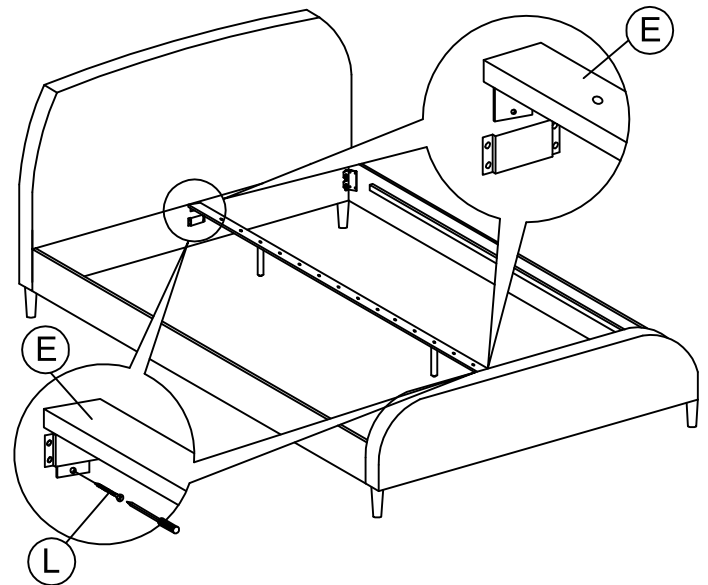
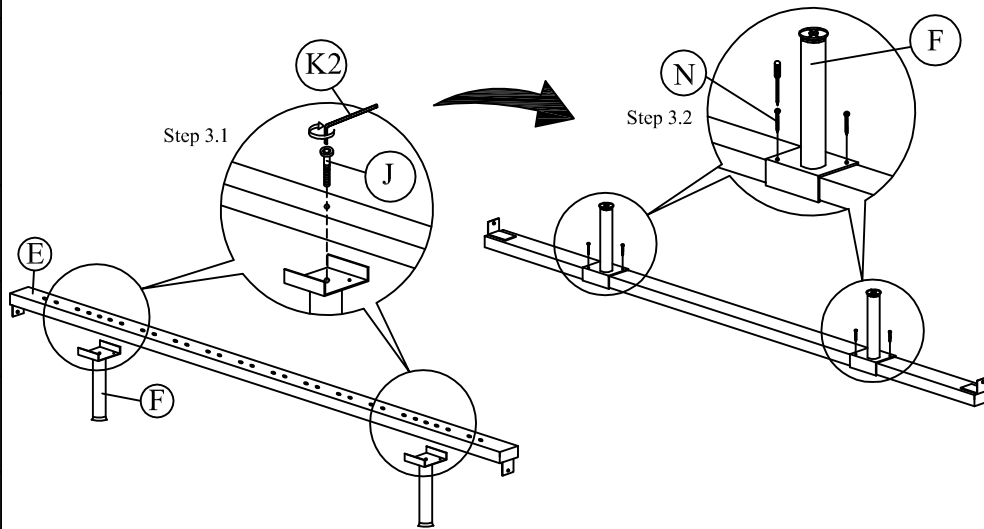
A	 Headboard	1 pc
B	 Footboard	1 pc
C	 Side Rail	2 pcs
D	 Legs	4 pcs
E	 Center Rail	1 pc
F	 Support Leg	2 pcs



Step 3: Attach the support legs (F) to the center rail (E) of the bed as shown.

Step 4: Slide the center rail (E) to the headboard (A) and footboard (B). Tighten screws (L) using screw driver (not included) to the headboard (A) and footboard (B).

G	 Slat	26 pcs
H	 Middle Holder	13 pcs
I	 End Holder	26 pcs
J	 JCBC M6 X 40	2 pcs
K	 K1 M5 x 70mm K2 M4 x 65mm	1 pc
L	 CSK M4 x 25mm	2 pcs
M	 CSK M4 x 32mm	3 pcs
N	 CSK M4 x 16mm	4 pcs
L	 Stiffener Slat (3 Holes)	1 pc



Step 5: Affix the Stiffener Slat (L) to the side rail support wood and the center rail (E) . Tighten all the 4 corner ,follow by a assembly of the slat holders with LVL slats as shown.

