
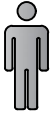




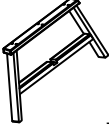
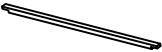


ASSEMBLY INSTRUCTIONS

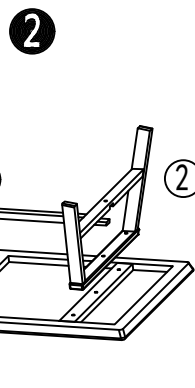
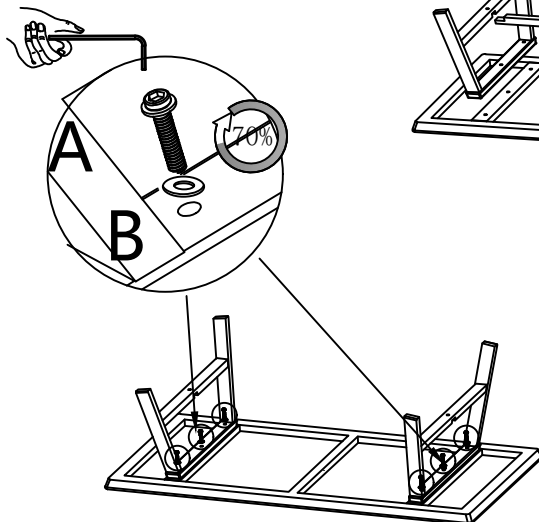
Caution : Please check whether the bolts are loose every 3-6 months and tighten the bolts .



If there is any missing, please kindly send us messages to let us know the name of missing part regarding to the first page of instructions. We will send replacement to you asap. We are concerned about each customer's experience, if there is any loss or damage, please contact us at any time, we will provide effective solutions. Customer service E-mail: cservice7@yeah.net Please attach your Oder ID so that we can assist you better.

 10MIN					
A  Ø6*40mm x8+1	B  x8+1	①  x1	②  x2	③  x1	

① Assembly Tips: You must not tighten any bolts yet in this step



Assembly Tips : When every part is OK , You can tighten all bolts in this step .

