

**⚠ WARNING:**  
**Assembly by an Adult**

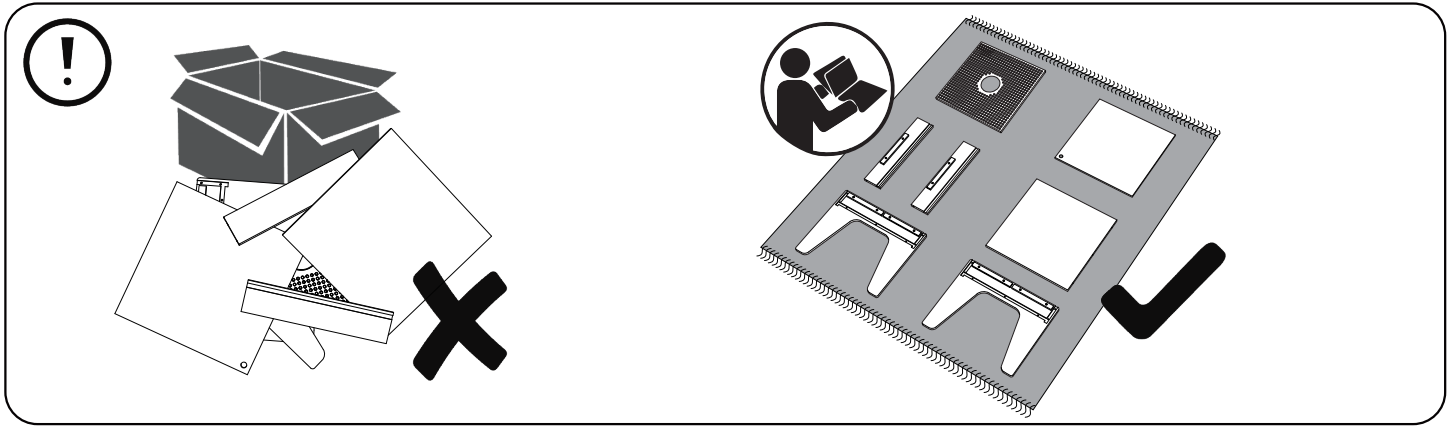
# Assembly and User Instruction

NOTE : Please read the instructions before assembly.  
Incorrect assembly could potentially create a hazard!!!

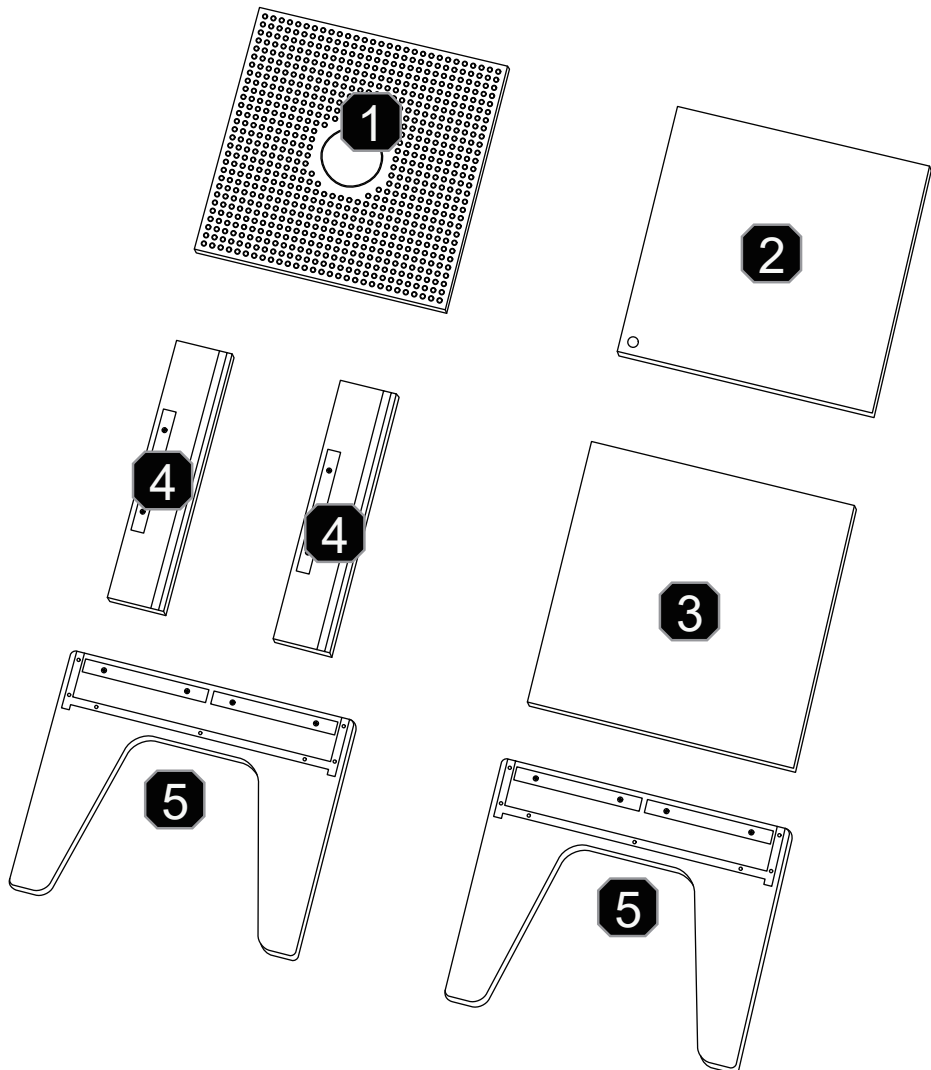


Product Description	Kid Activity Table
---------------------	--------------------

For indoor



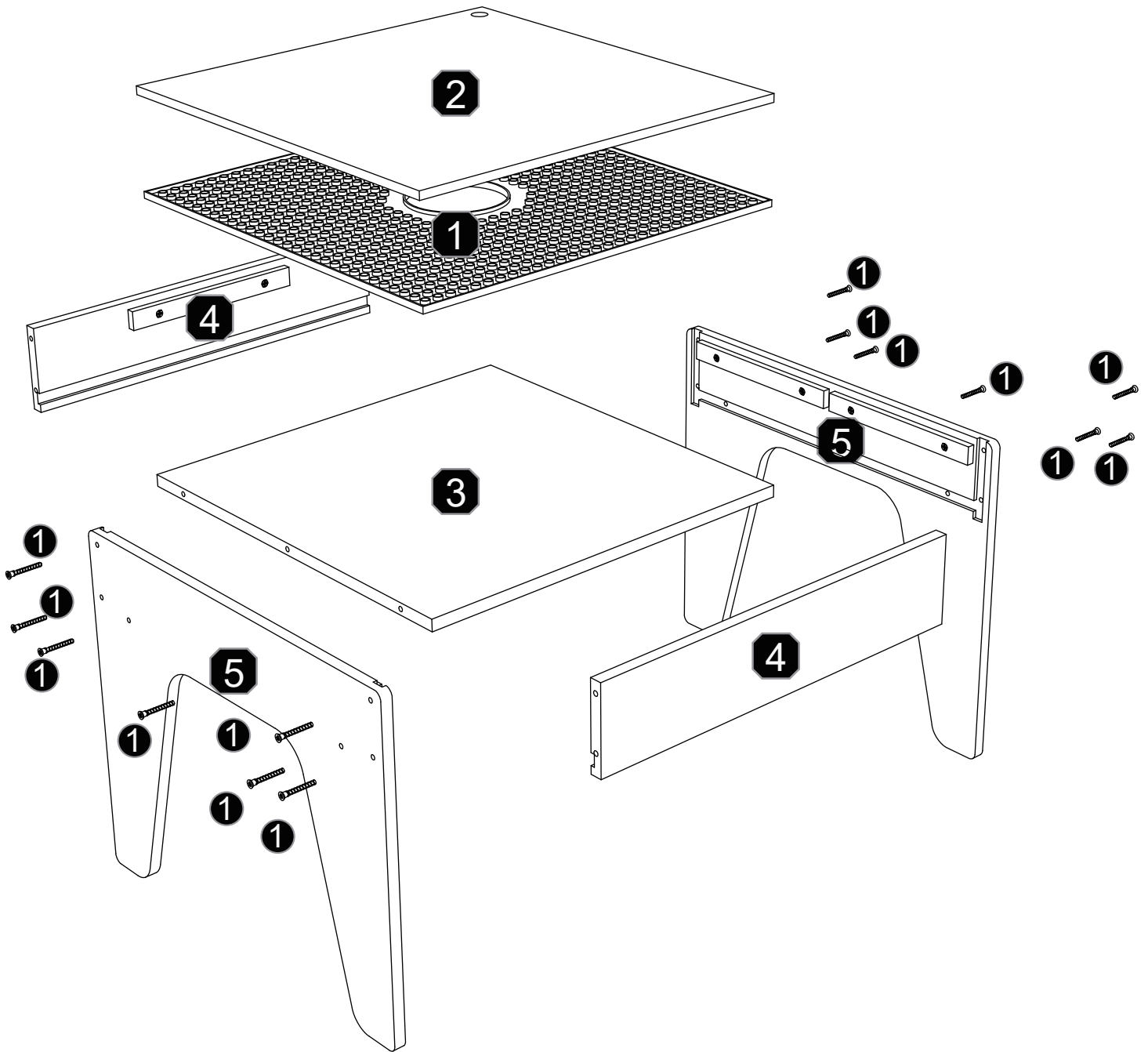
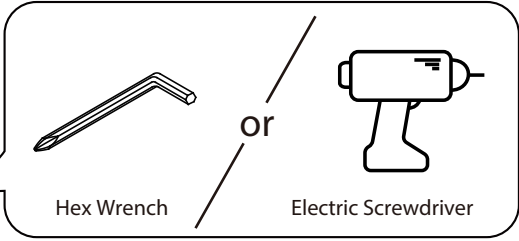
\*Before installation, please carefully check whether there is any sawdust left in the holes of each plate. If there is sawdust, please clean it up in time to avoid affecting the subsequent installation.



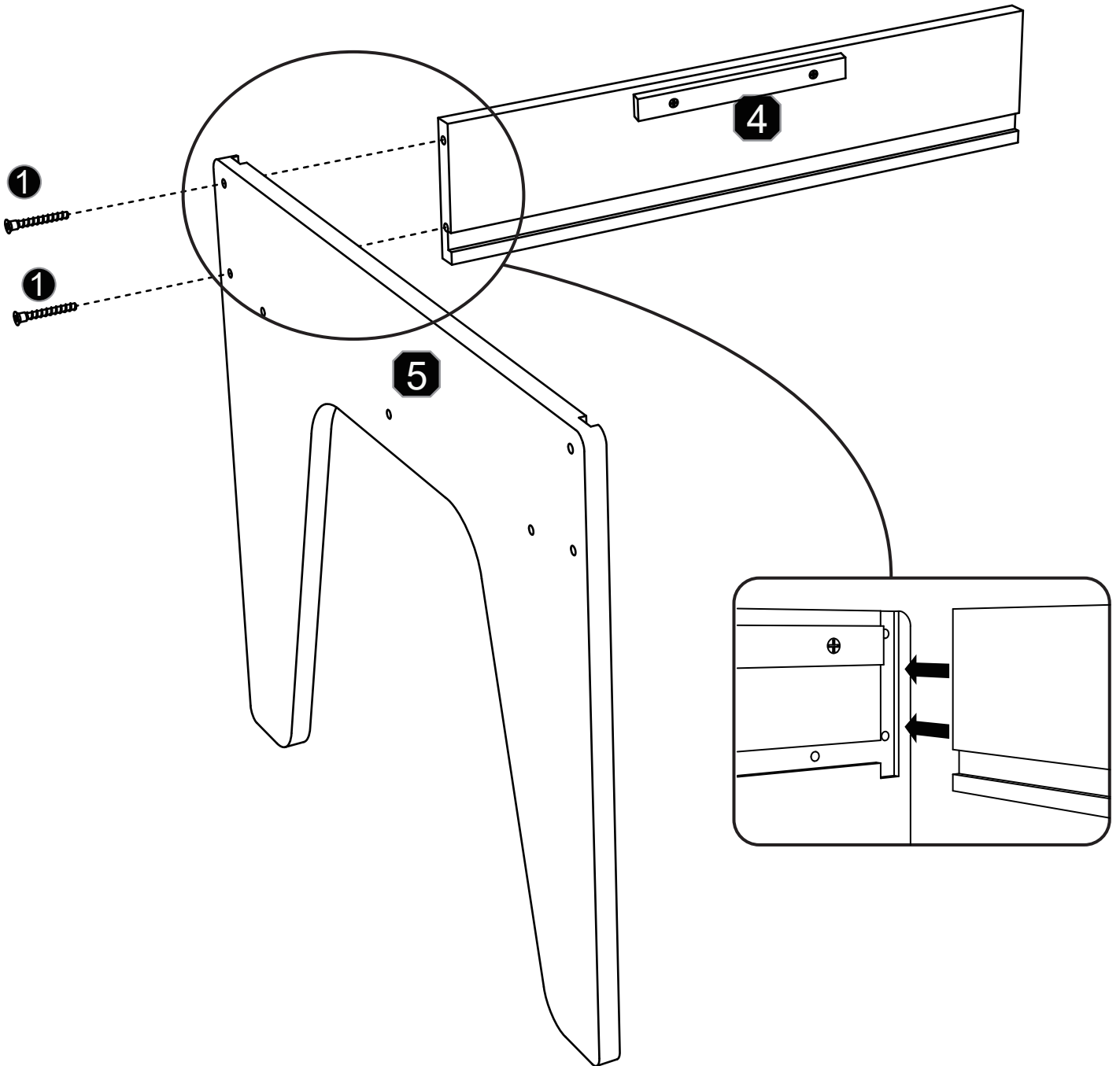


This product includes a hex wrench, not an electric screwdriver

Exploded  
View

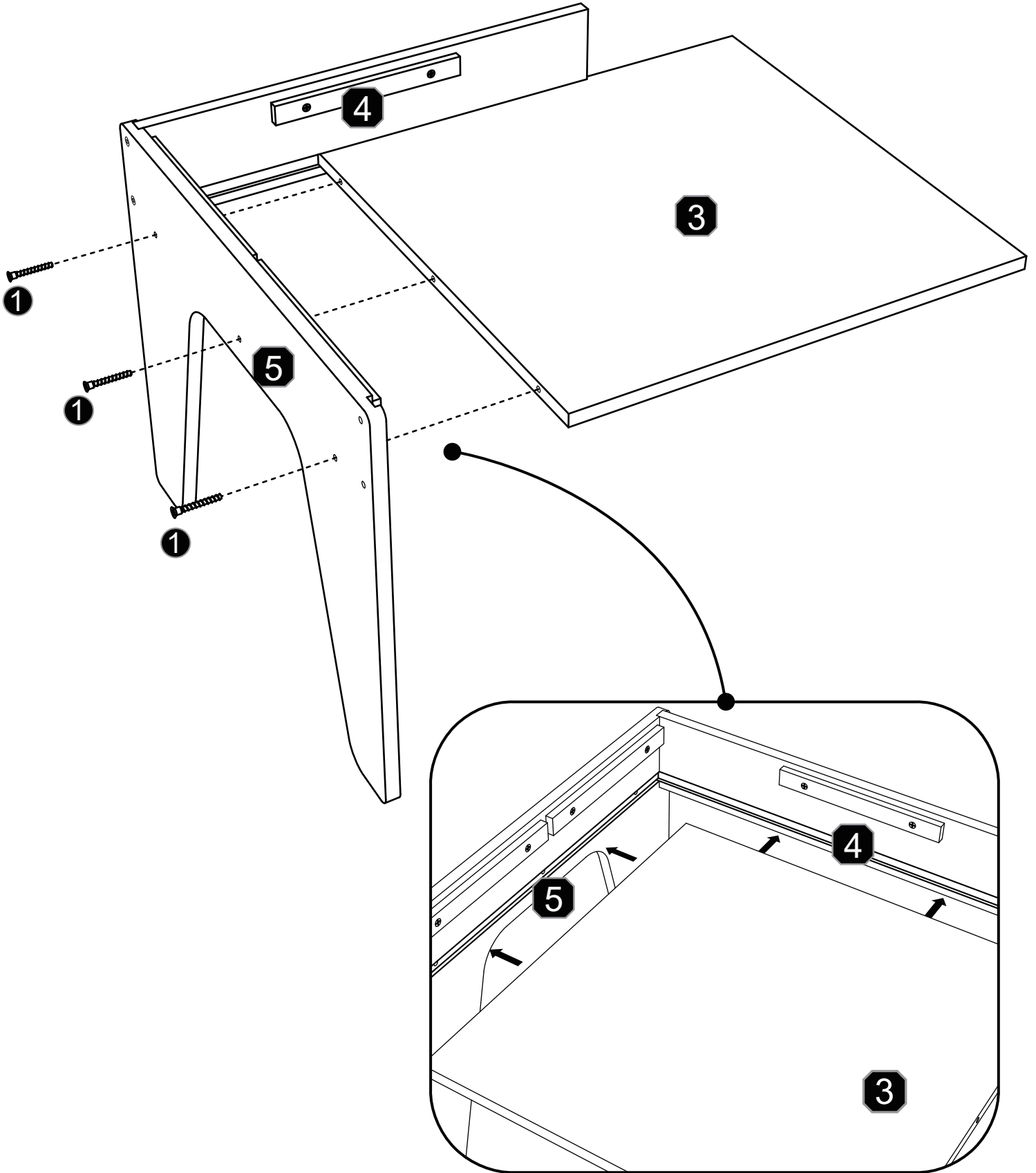


Step 1



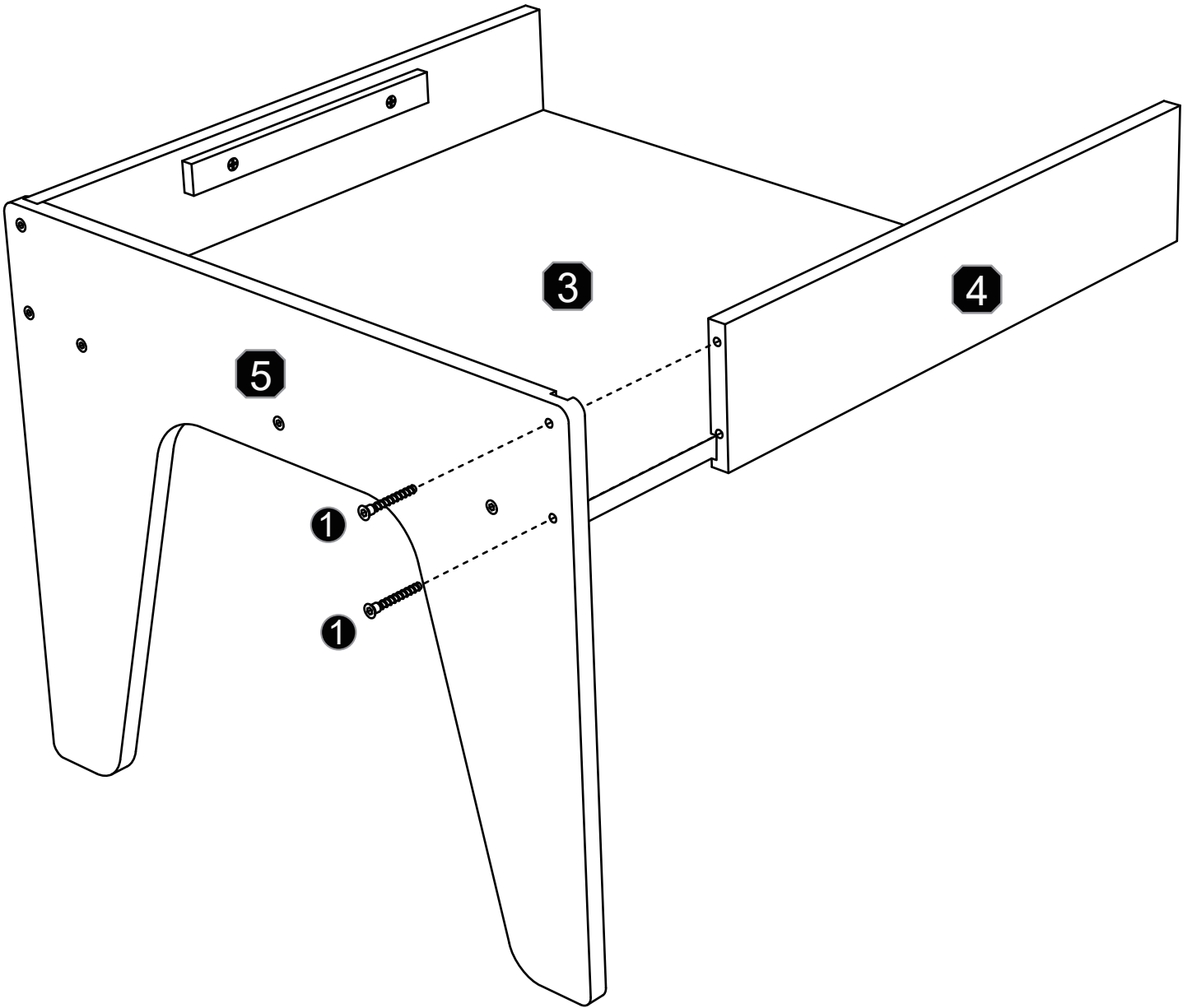
\*Use 2 screws **1** to connect **4** and **5**

Step 2



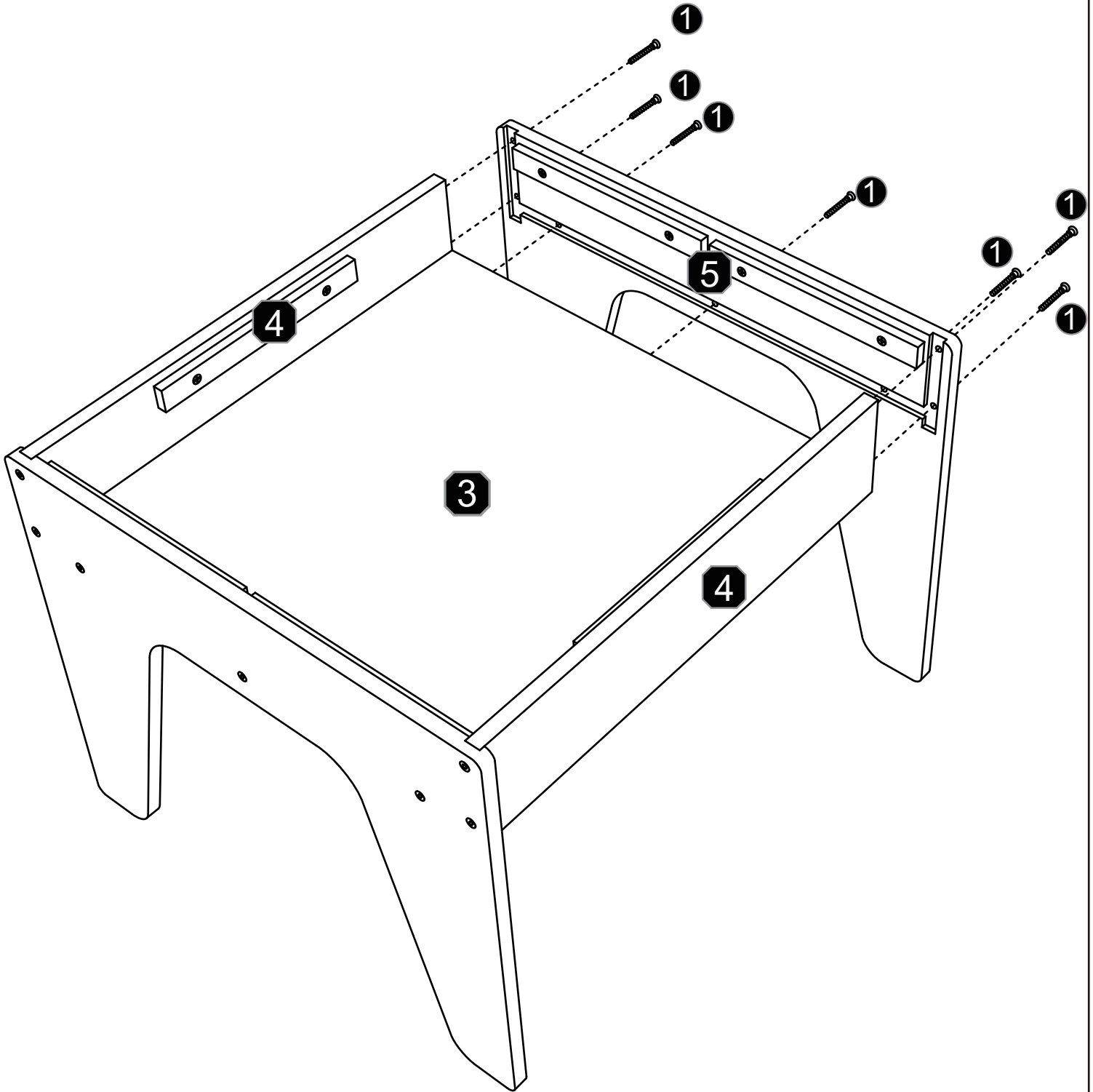
\*Insert **3** into **4** , and use 3 screws **1** to connect **3** and **5**

Step 3



\*Use 2 screws 1 to connect 4 and 5

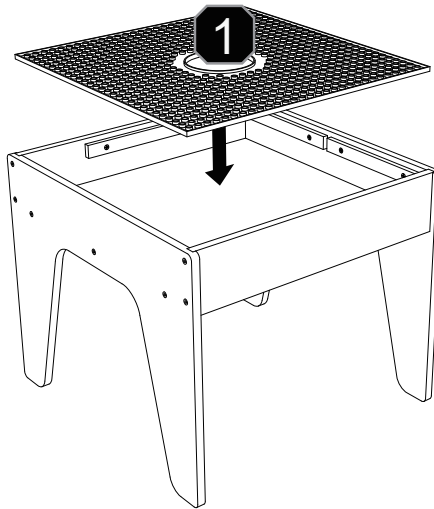
Step 4



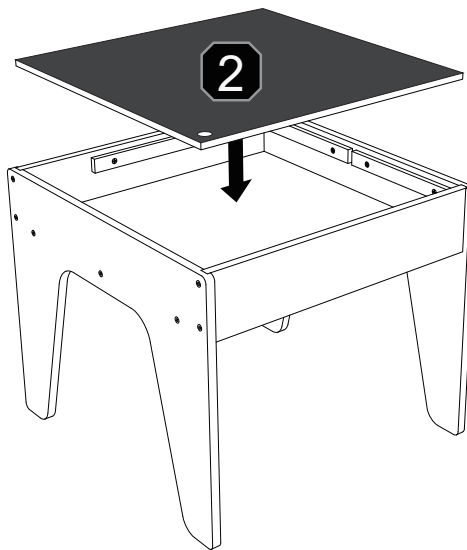
\*Use 7 screws **1** to connect **3**, **4** and **5**

Step 5

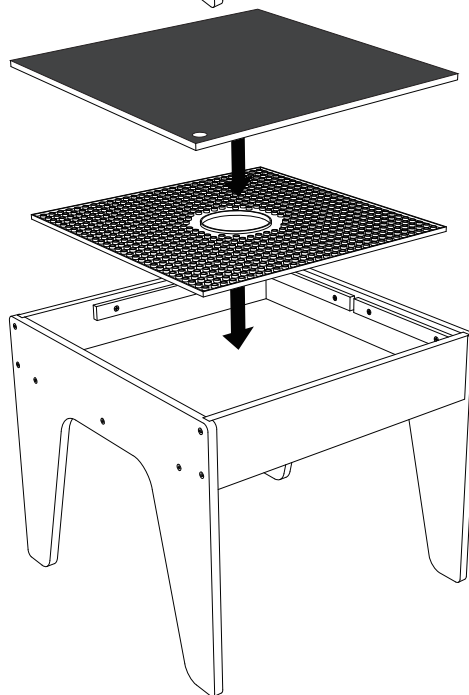
1.



2.

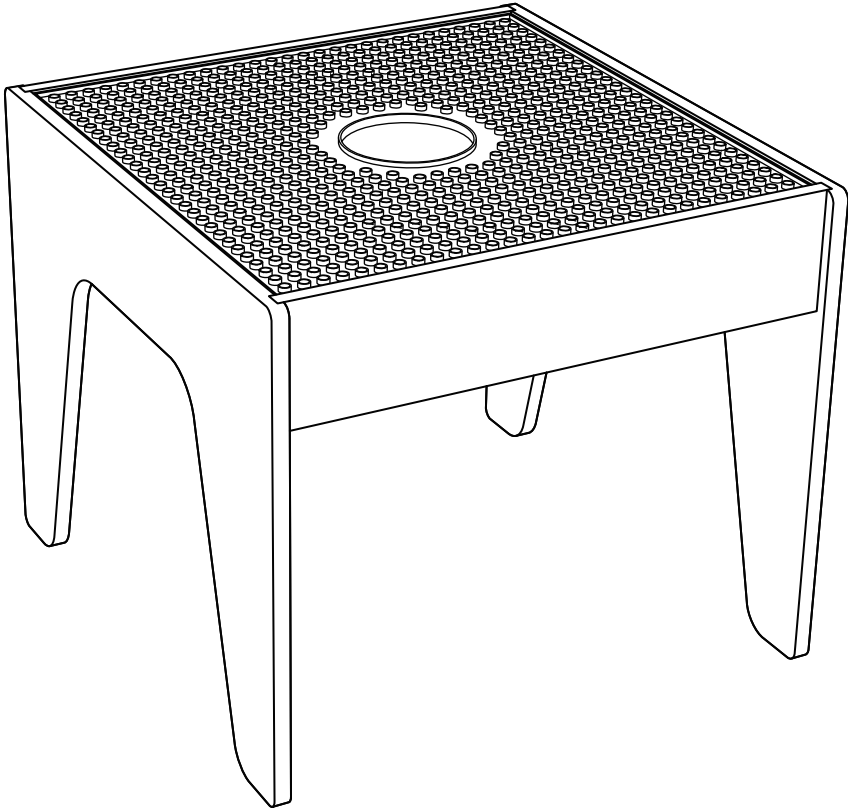


3.



Place either **1** or **2** or **1, 2** on the already installed component

1.



2.



# Product Declaration

- Product: Kid Activity Table
- Product No: Please refer to the label or the Assembly and User Instruction.
- Technical character and size: Please refer to the Assembly and User Instruction.
- Assembly and spare parts: Please refer to the Assembly and User Instruction.
- Production date: Please refer to the label on the outer package.

Since our establishment in 2016, we have been dedicated to creating high-quality and authentic wooden home furnishings. Our skilled craftsmen use traditional woodworking techniques to transform the natural beauty of wood into unique, functional pieces that add warmth and character to any home.

## Additional Safety Measures:

- WARNING — The product must be used on a flat, stable surface.
- WARNING — Never leave the child unattended.
- WARNING — Strangulation hazard: Do not place the step stool close to components which could present a danger of suffocation, such as blind or curtain cords.
- WARNING — DO NOT place this product near a window, as it can be used as a step by the child and cause the child to fall out of the window.
- WARNING — Keep the step stool inaccessible to children when not in use.
- WARNING — Do not use if any of the components are broken, torn, or missing.

## Zusätzliche Sicherheitshinweise:

- WARNUNG — Das Produkt muss auf einer ebenen und stabilen Fläche verwendet werden.
- WARNUNG — Lassen Sie das Kind niemals unbeaufsichtigt.
- WARNUNG — Strangulationsgefahr: Stellen Sie den Lernturm nicht in die Nähe von Gegenständen, die eine Erstickenungsgefahr darstellen können, wie z.B. Jalousien- oder Gardinenschnüre.
- WARNUNG — Stellen Sie dieses Produkt nicht in die Nähe von Fenstern, da das Kind es als Tritt verwenden und aus dem Fenster stürzen könnte.
- WARNUNG — Halten Sie den Lernturm außerhalb der Reichweite von Kindern, wenn er nicht verwendet wird.
- WARNUNG — Verwenden Sie das Produkt nicht, wenn Teile beschädigt, zerrissen oder fehlen.



## MAINTENANCE INSTRUCTIONS:

Cleaning with a wet cloth, use a sponge with soap to remove obstinate dirt. Avoid solvents and dilutions. Screws and bolts should from time to time be retightened.

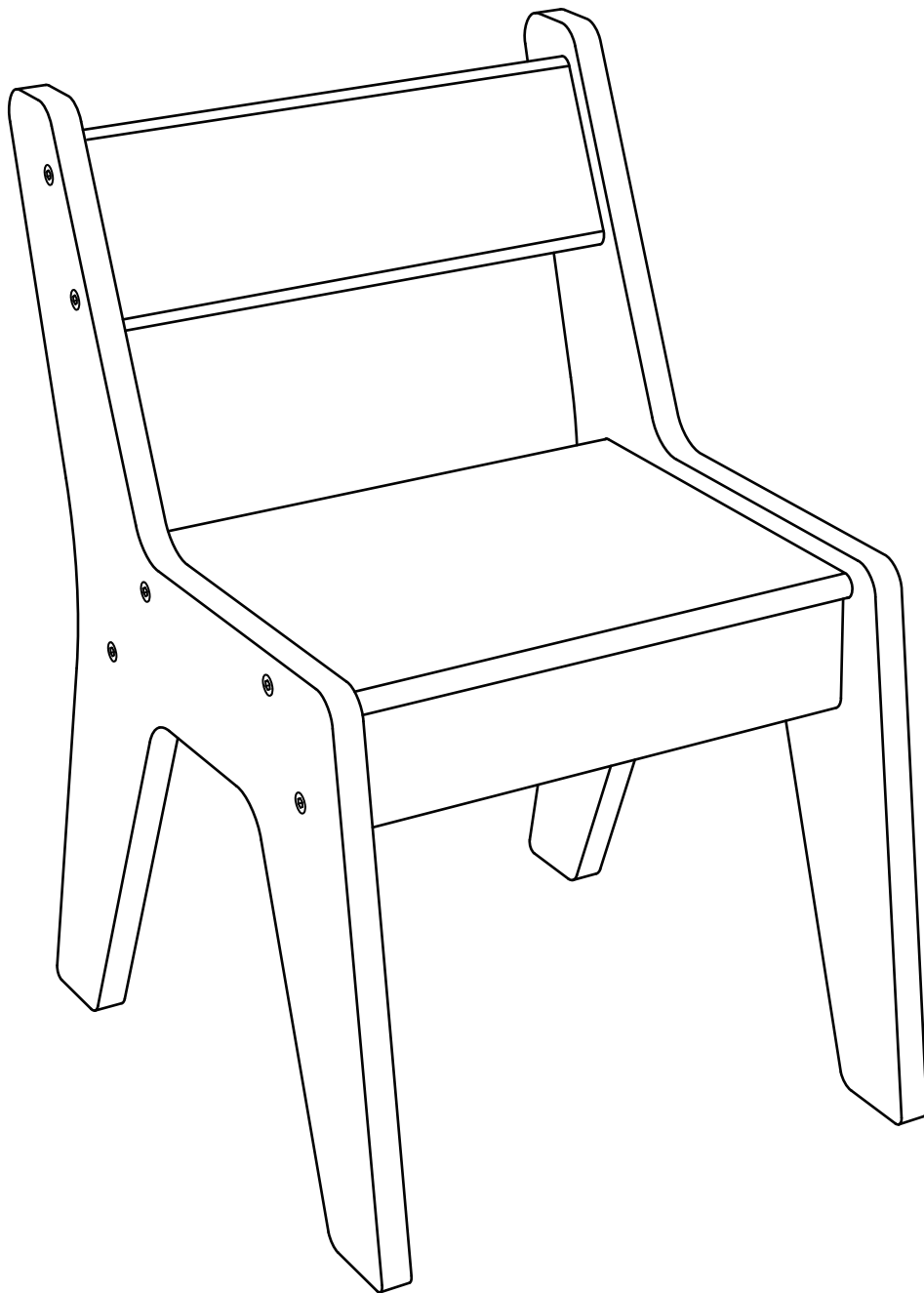


During use, adults need to be beside the child

**⚠ WARNING:**  
**Assembly by an Adult**

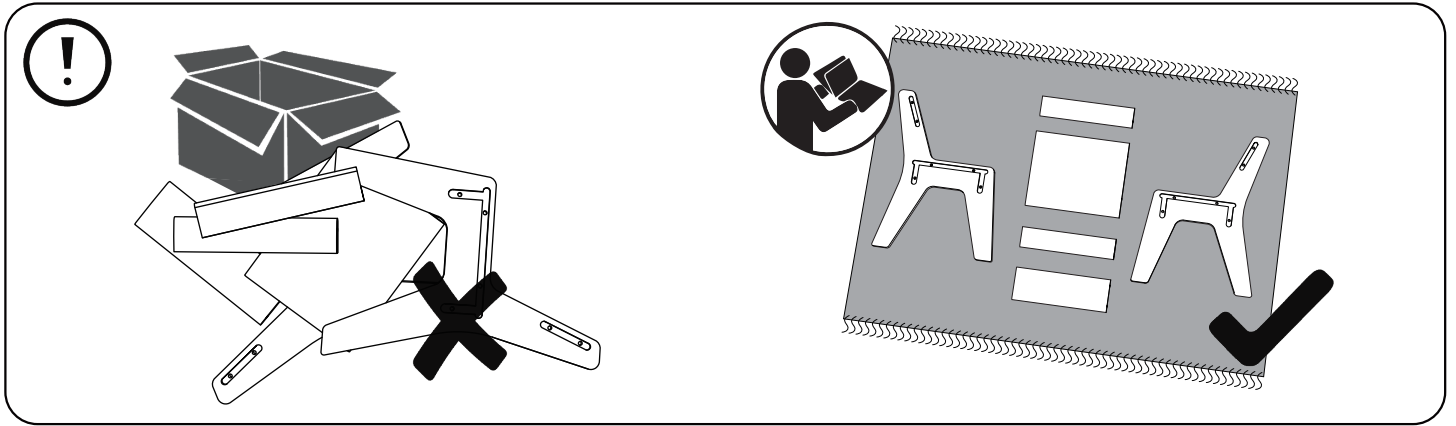
# Assembly and User Instruction

NOTE : Please read the instructions before assembly.  
Incorrect assembly could potentially create a hazard!!!

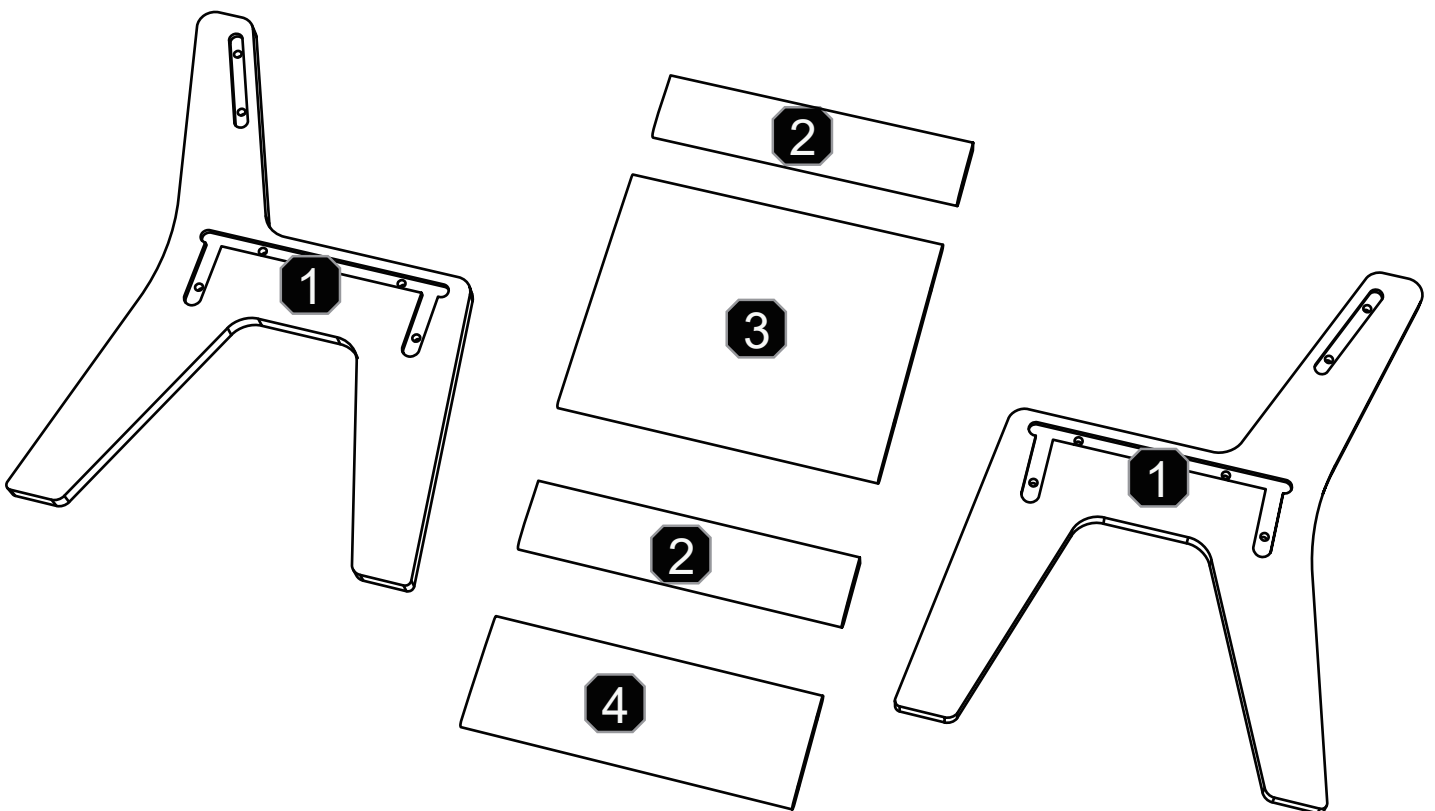


Product Description	Chair
---------------------	-------

For indoor



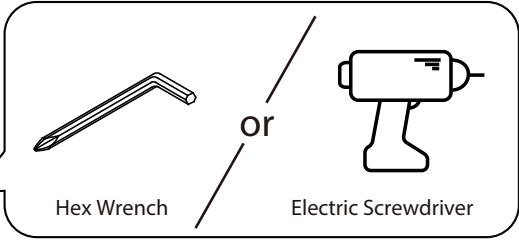
\*Before installation, please carefully check whether there is any sawdust left in the holes of each plate. If there is sawdust, please clean it up in time to avoid affecting the subsequent installation.





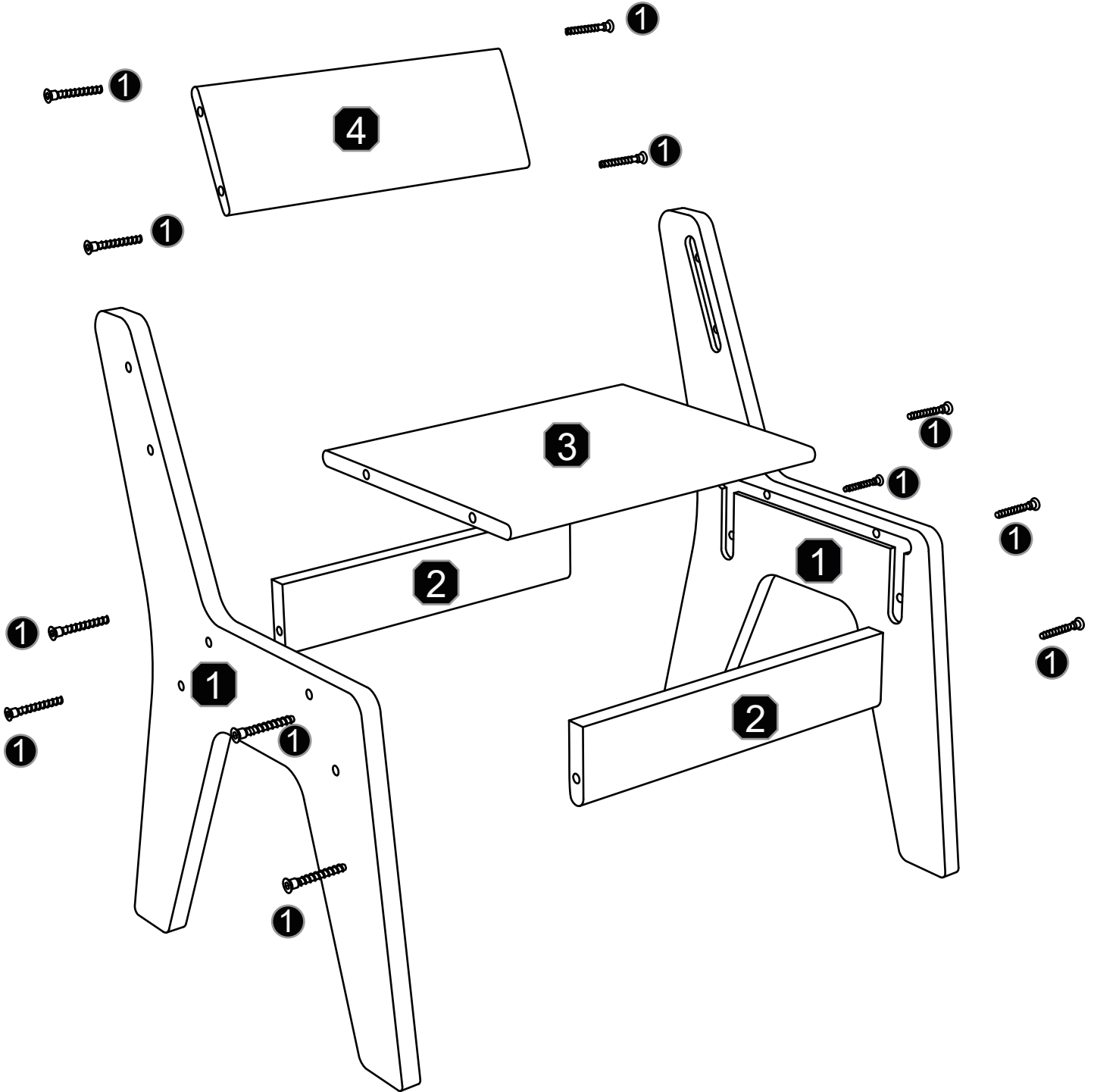
This product includes a hex wrench, not an electric screwdriver

Exploded  
View

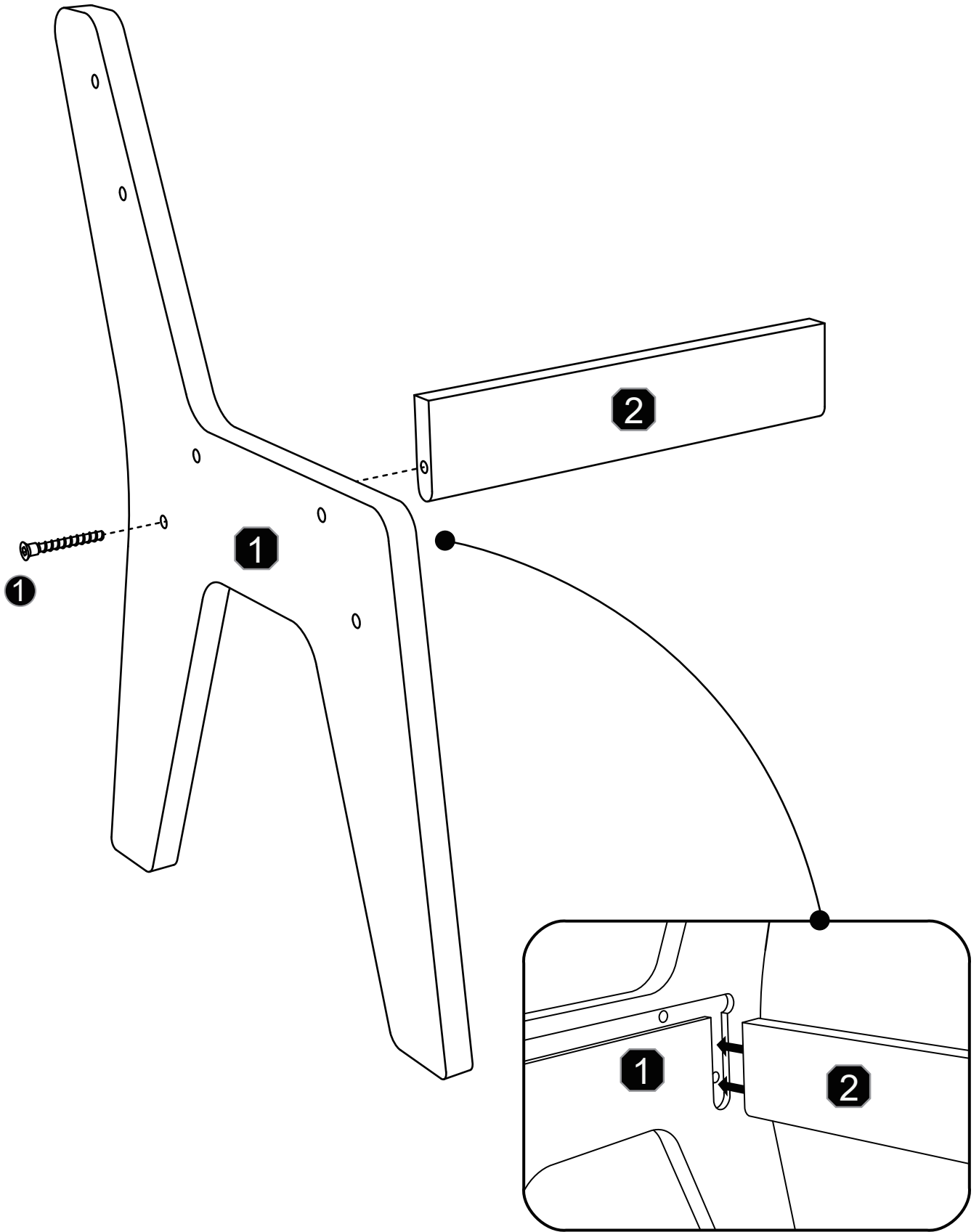


Hex Wrench

Electric Screwdriver

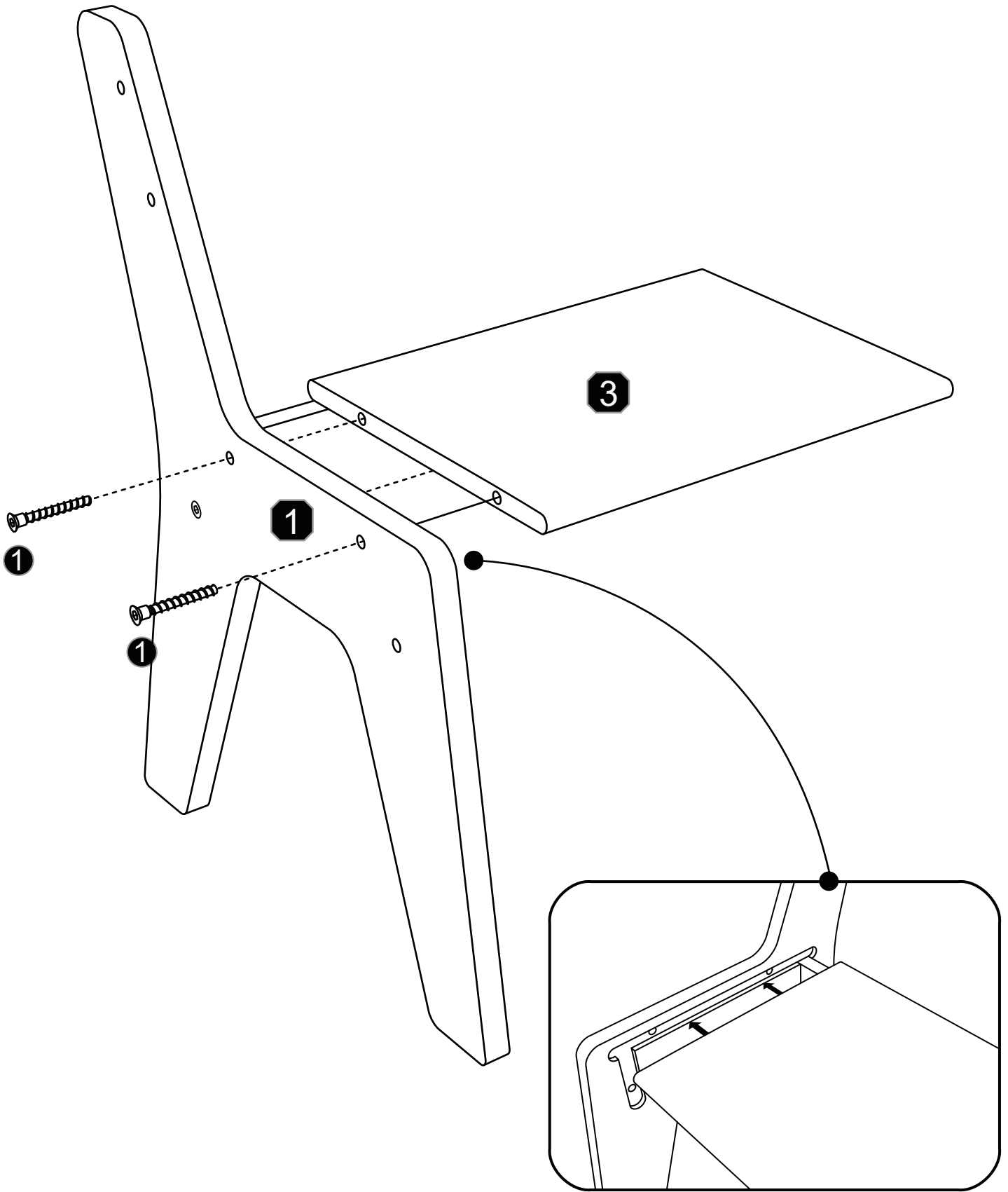


Step 1



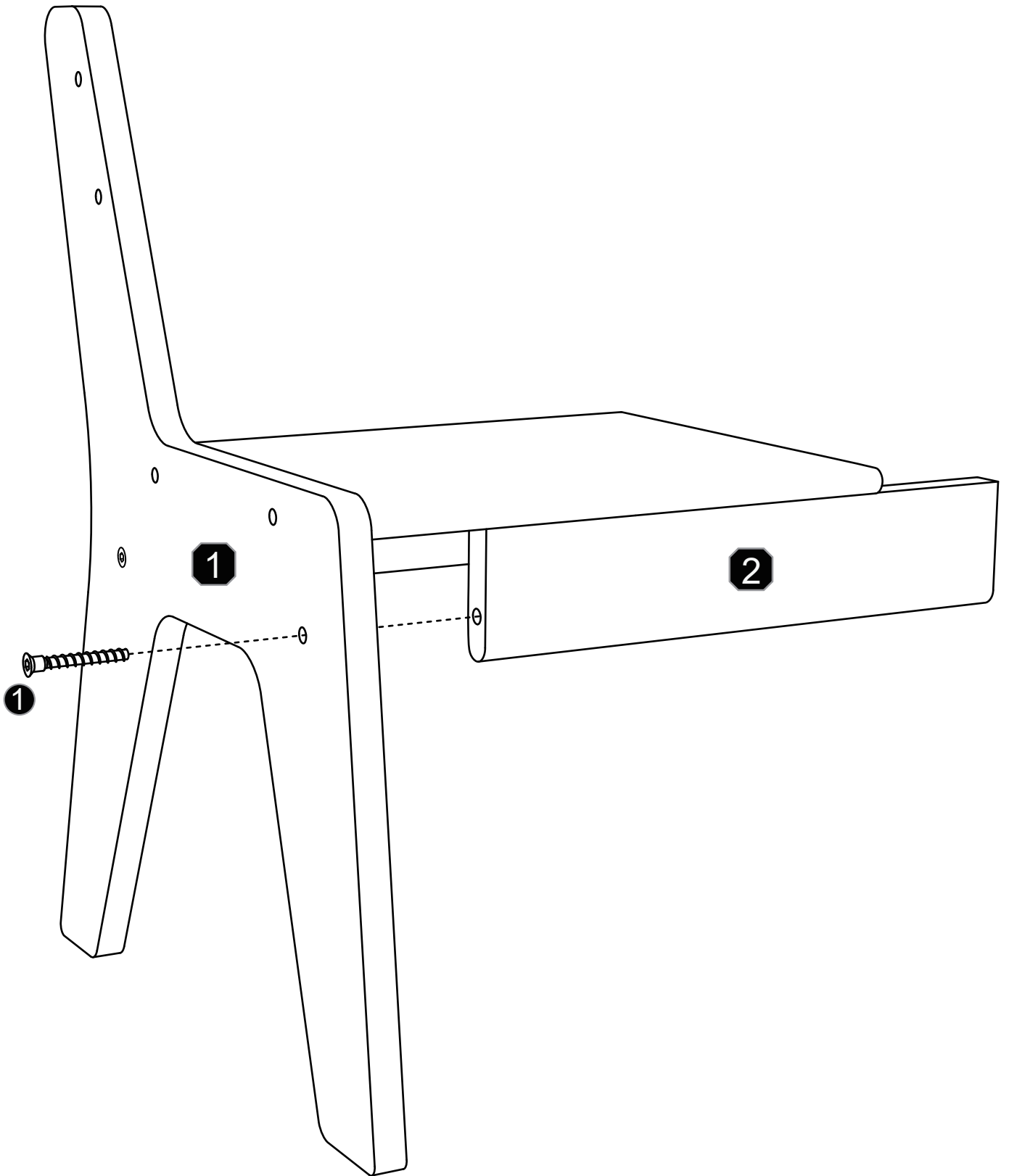
\*Use 1 screw **1** to connect **1** and **2**

Step 2



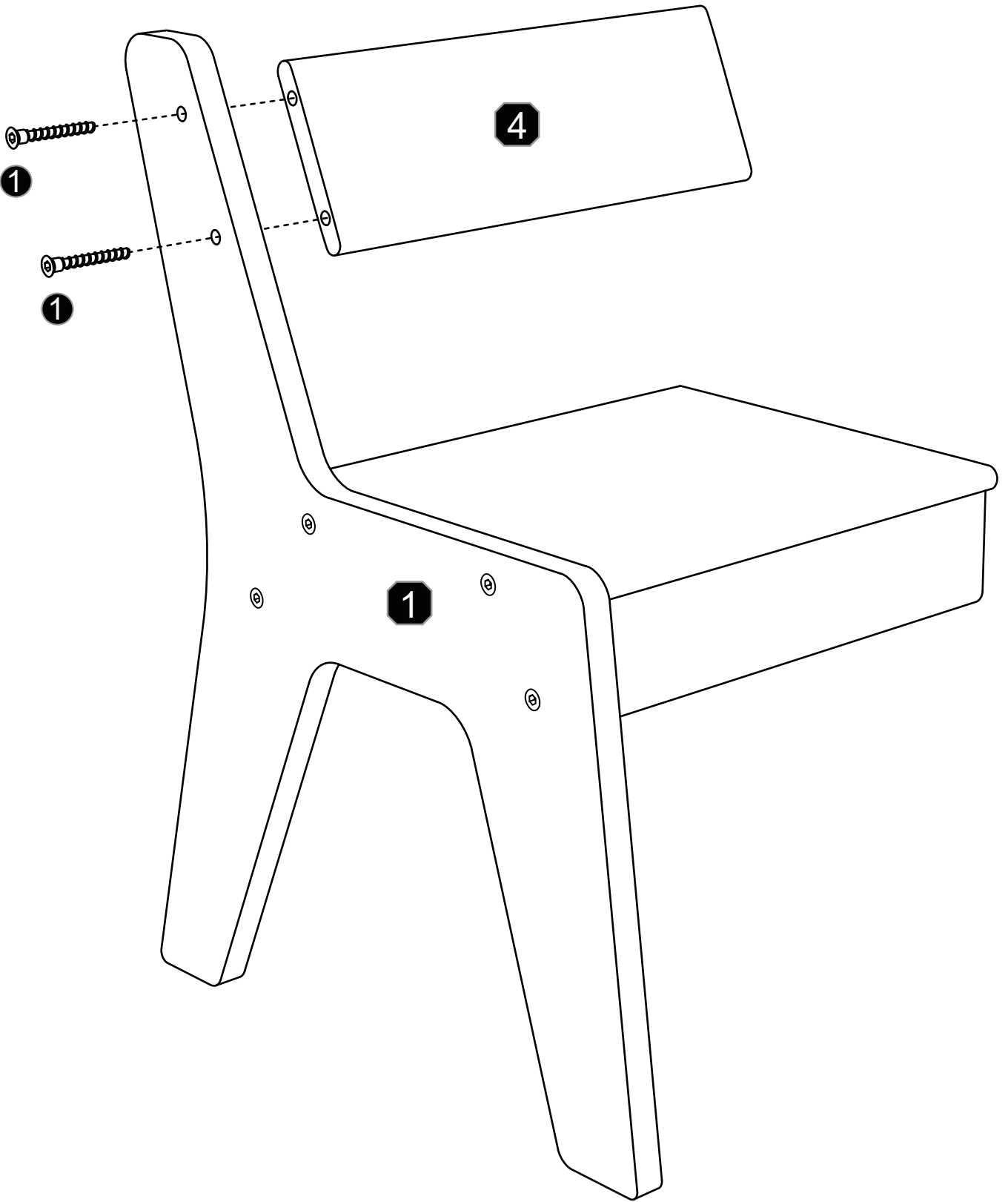
\*Use 2 screws **1** to connect **1** and **3**

Step 3



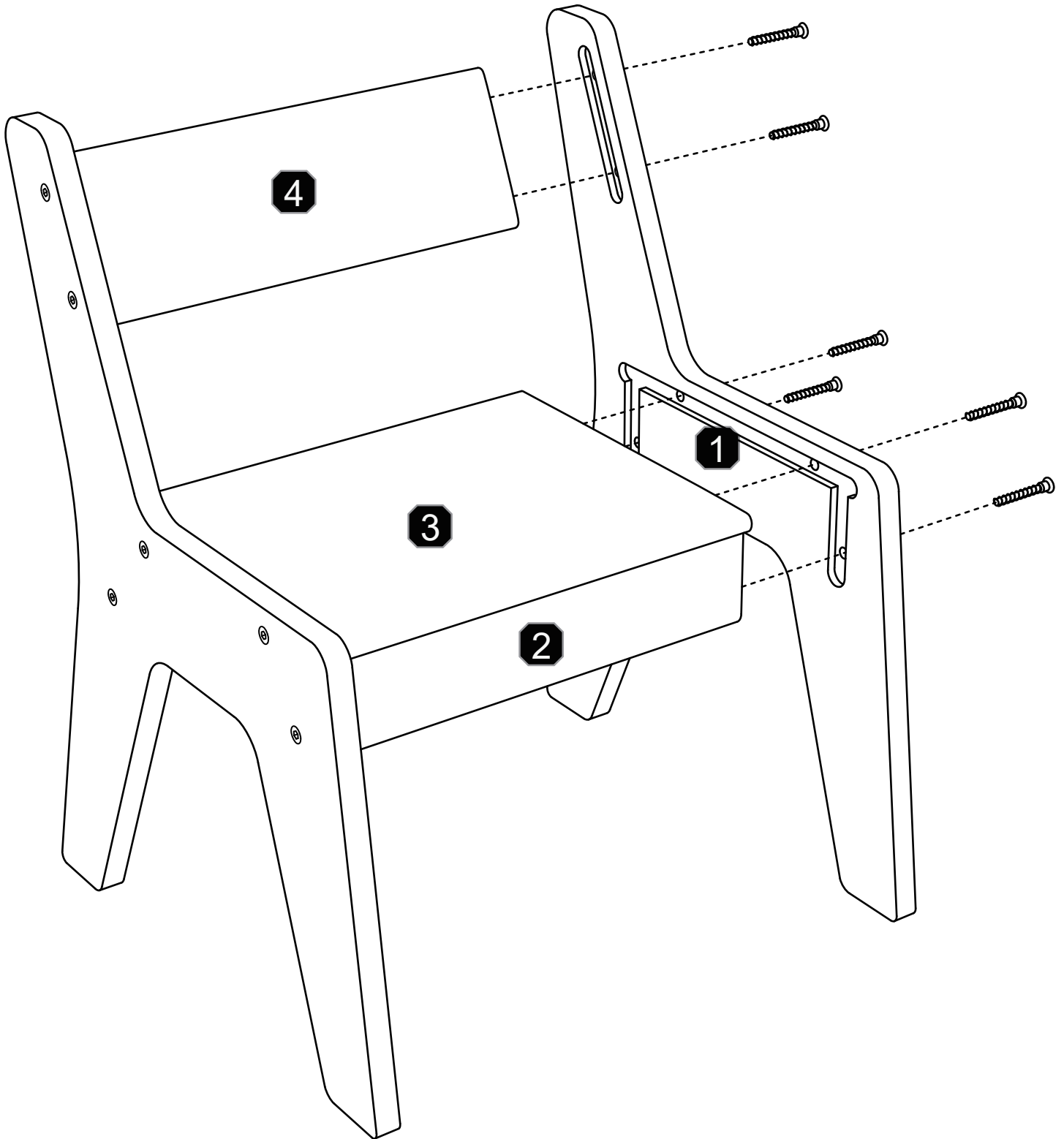
\*Use 1 screw **1** to connect **4** and **5**

Step 4



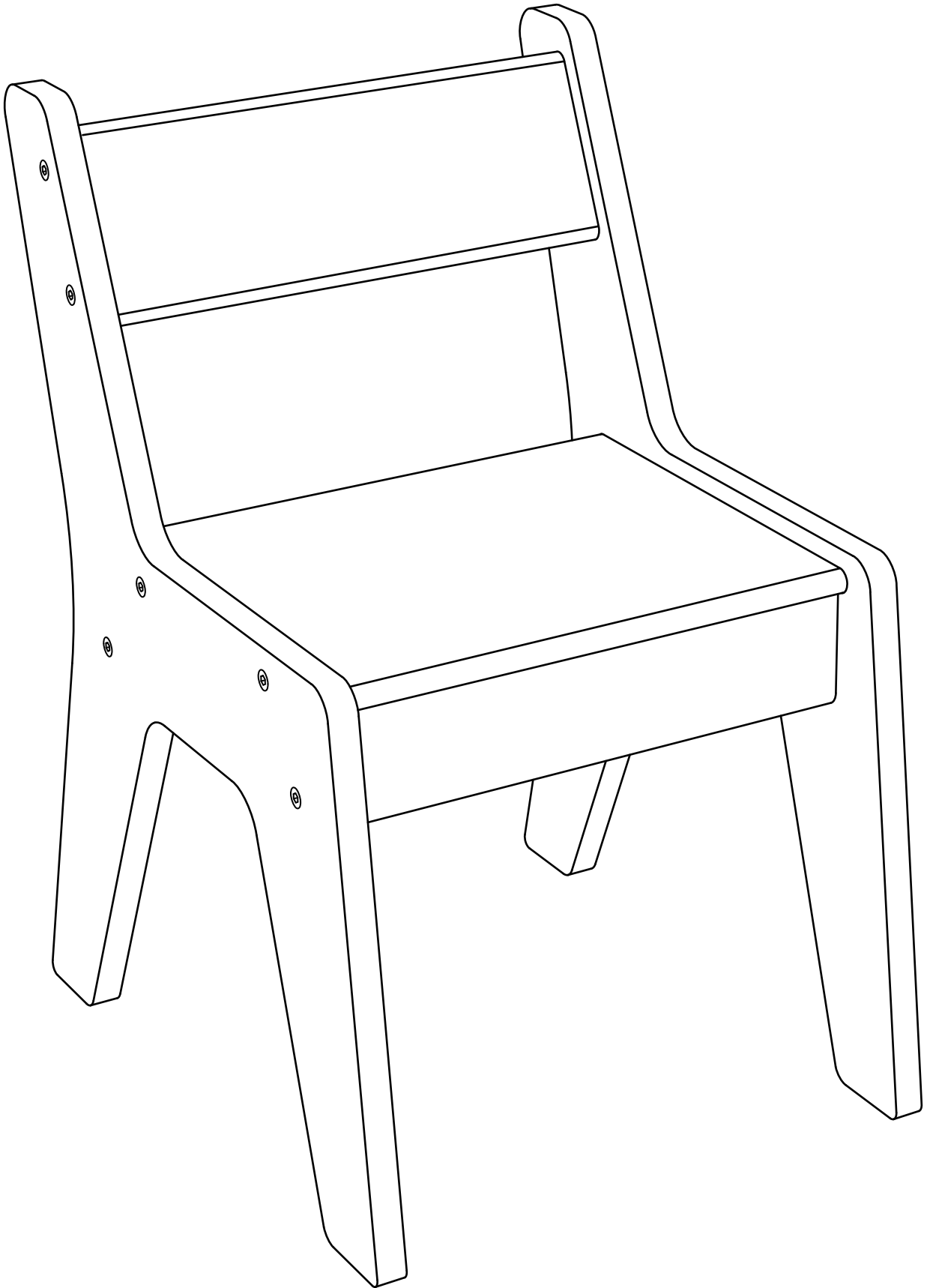
\*Use 2 screws **1** to connect **1** and **4**

Step 5



\*Use 6 screws **1** to connect **1** and **2**, **3**, **4**

Step 6



# Product Declaration

- Product: Chair
- Product No: Please refer to the label or the Assembly and User Instruction.
- Technical character and size: Please refer to the Assembly and User Instruction.
- Assembly and spare parts: Please refer to the Assembly and User Instruction.
- Production date: Please refer to the label on the outer package.

Since our establishment in 2016, we have been dedicated to creating high-quality and authentic wooden home furnishings. Our skilled craftsmen use traditional woodworking techniques to transform the natural beauty of wood into unique, functional pieces that add warmth and character to any home.

## Additional Safety Measures:

- WARNING — The product must be used on a flat, stable surface.
- WARNING — Never leave the child unattended.
- WARNING — Strangulation hazard: Do not place the chair close to components which could present a danger of suffocation, such as blind or curtain cords.
- WARNING — DO NOT place this product near a window, as it can be used as a step by the child and cause the child to fall out of the window.
- WARNING — Keep the chair inaccessible to children when not in use.
- WARNING — Do not use if any of the components are broken, torn, or missing.

## Zusätzliche Sicherheitshinweise:

- WARNUNG — Das Produkt muss auf einer ebenen und stabilen Fläche verwendet werden.
- WARNUNG — Lassen Sie das Kind niemals unbeaufsichtigt.
- WARNUNG — Strangulationsgefahr: Stellen Sie den Lernturm nicht in die Nähe von Gegenständen, die eine Erstickenungsgefahr darstellen können, wie z.B. Jalousien- oder Gardinenschnüre.
- WARNUNG — Stellen Sie dieses Produkt nicht in die Nähe von Fenstern, da das Kind es als Tritt verwenden und aus dem Fenster stürzen könnte.
- WARNUNG — Halten Sie den Lernturm außerhalb der Reichweite von Kindern, wenn er nicht verwendet wird.
- WARNUNG — Verwenden Sie das Produkt nicht, wenn Teile beschädigt, zerrissen oder fehlen.



## MAINTENANCE INSTRUCTIONS:

Cleaning with a wet cloth, use a sponge with soap to remove obstinate dirt. Avoid solvents and dilutions. Screws and bolts should from time to time be retightened.



During use, adults need to be beside the child