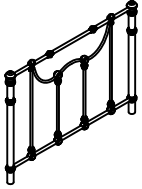


# ASSEMBLY INSTRUCTION

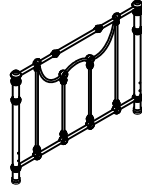
## TWIN SIZE METAL BED

**A** HEADBOARD



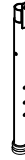
1pc

**B** FOOTBOARD



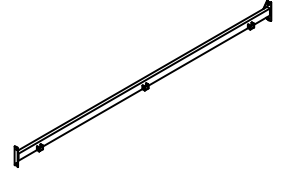
1pc

**C** EXTENSION LEG



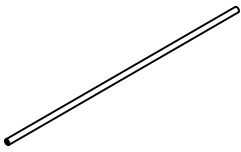
2pcs

**D** SIDE RAIL



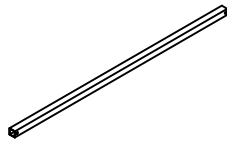
2pcs

**E** BAR



1pc

**F** SLATS



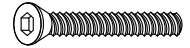
3pcs

**G** FINIAL



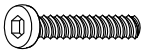
4pcs

**H** BOLT  
1/4",57MM



6pcs

**I** BOLT  
1/4",44MM



6pcs

**J** BOLT  
1/4",22MM



4pcs

**K** BOLT  
1/4",13MM



2pcs

**L** NUT  
1/4"



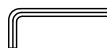
10pcs

**M** FLAT WASHER  
ø16mm



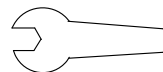
20pcs

**N** ALLEN WRENCH  
4X4MM

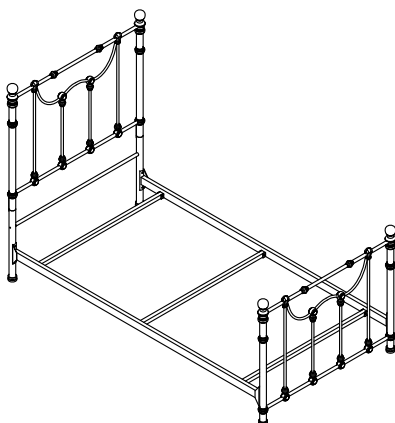


1pc

**O** WRENCH  
11.3MM

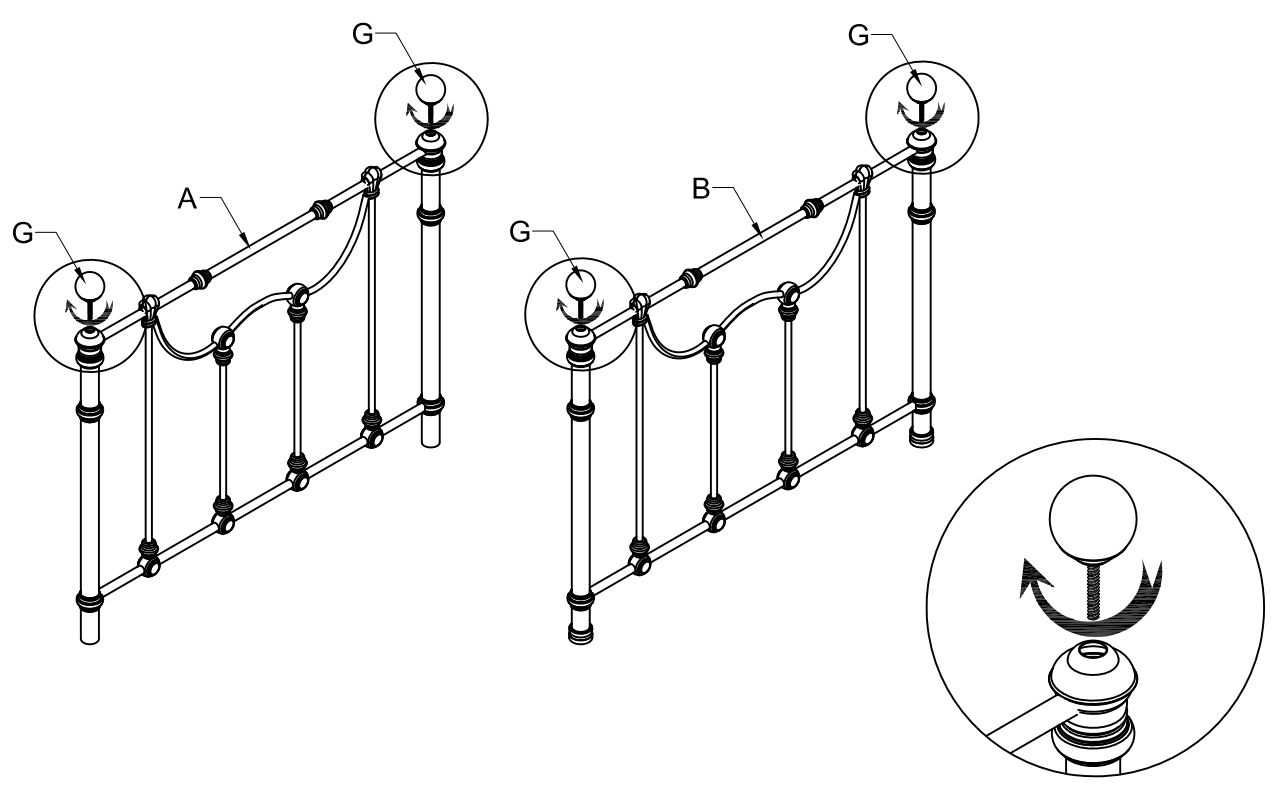


1pc

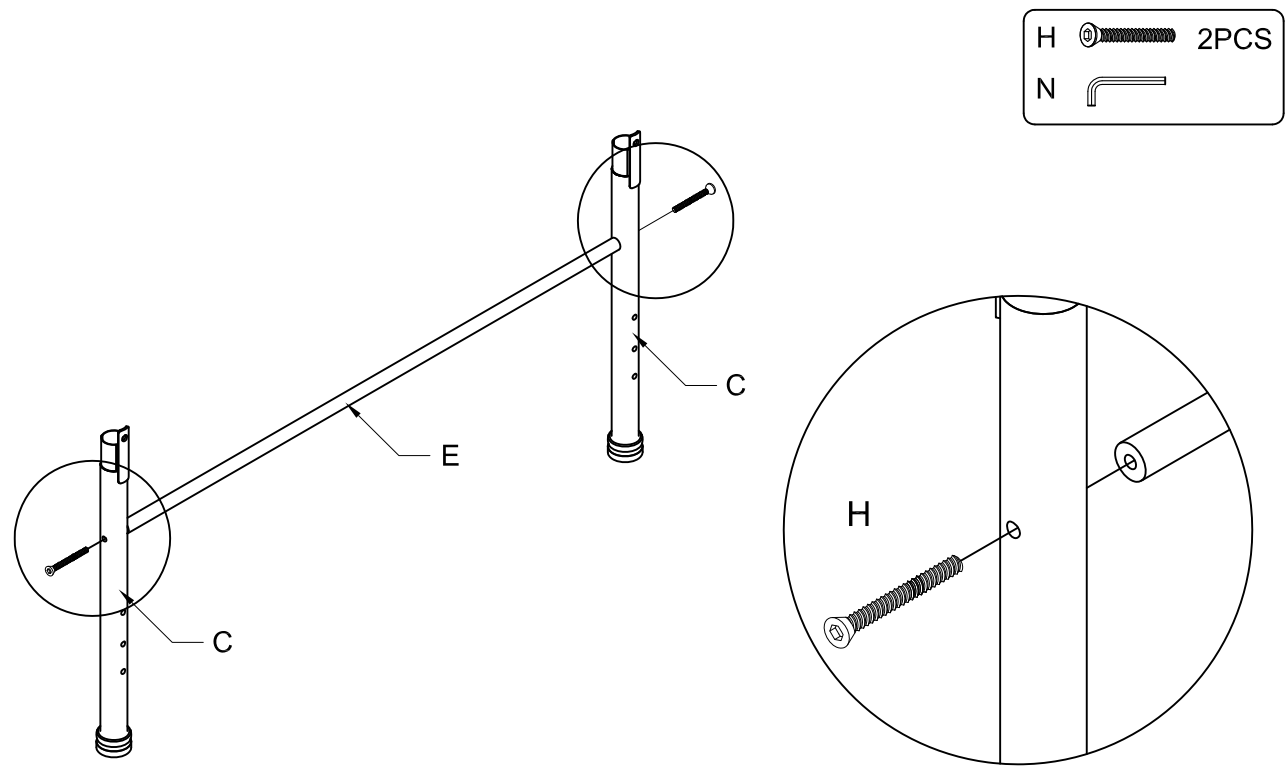


This page lists all the contents included in the box. Please take the time to identify the hardware as well as the individual components to this product. As you unpack and prepare for assembly, place the contents on a carpeted or padded area to protect them from damage.

**1** Assemble the finial (G) to the headboard (A) and footboard (B).

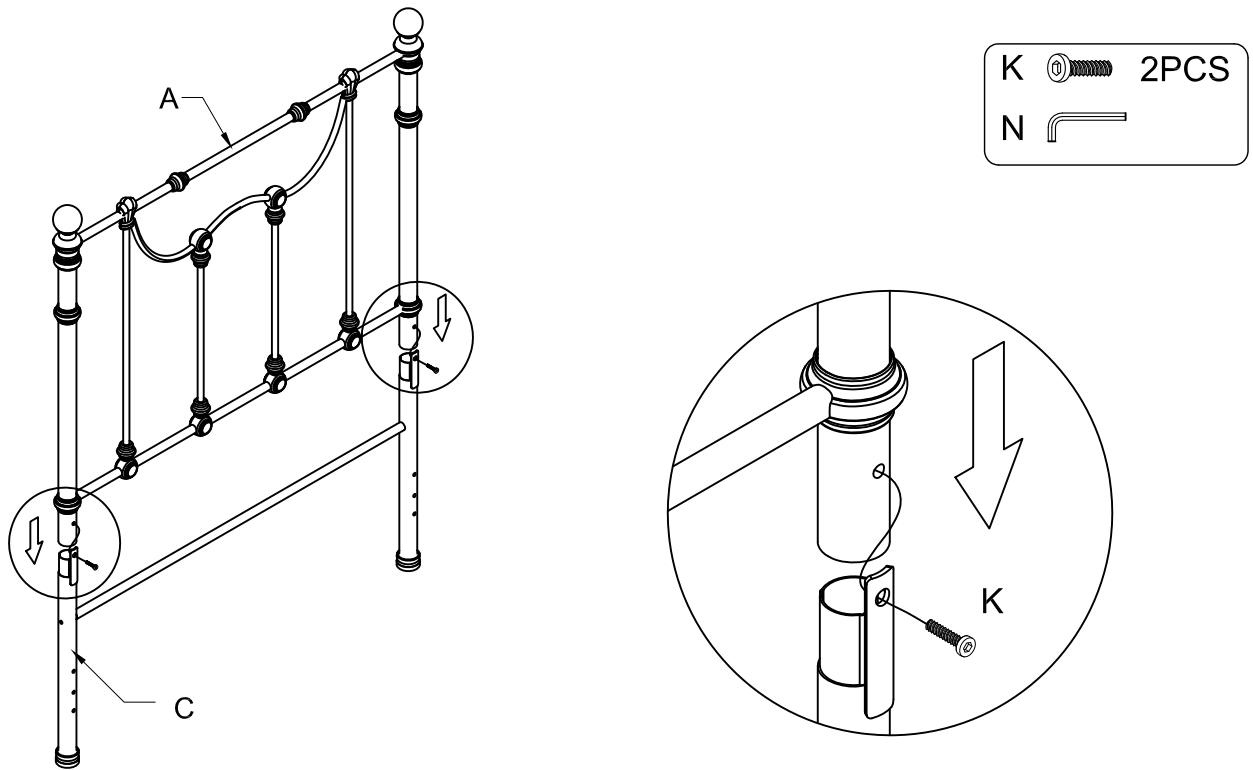


**2** Assemble the bar (E) to the extension leg (C) with 2pcs bolt (H) then fastened using allen wrench (N) .

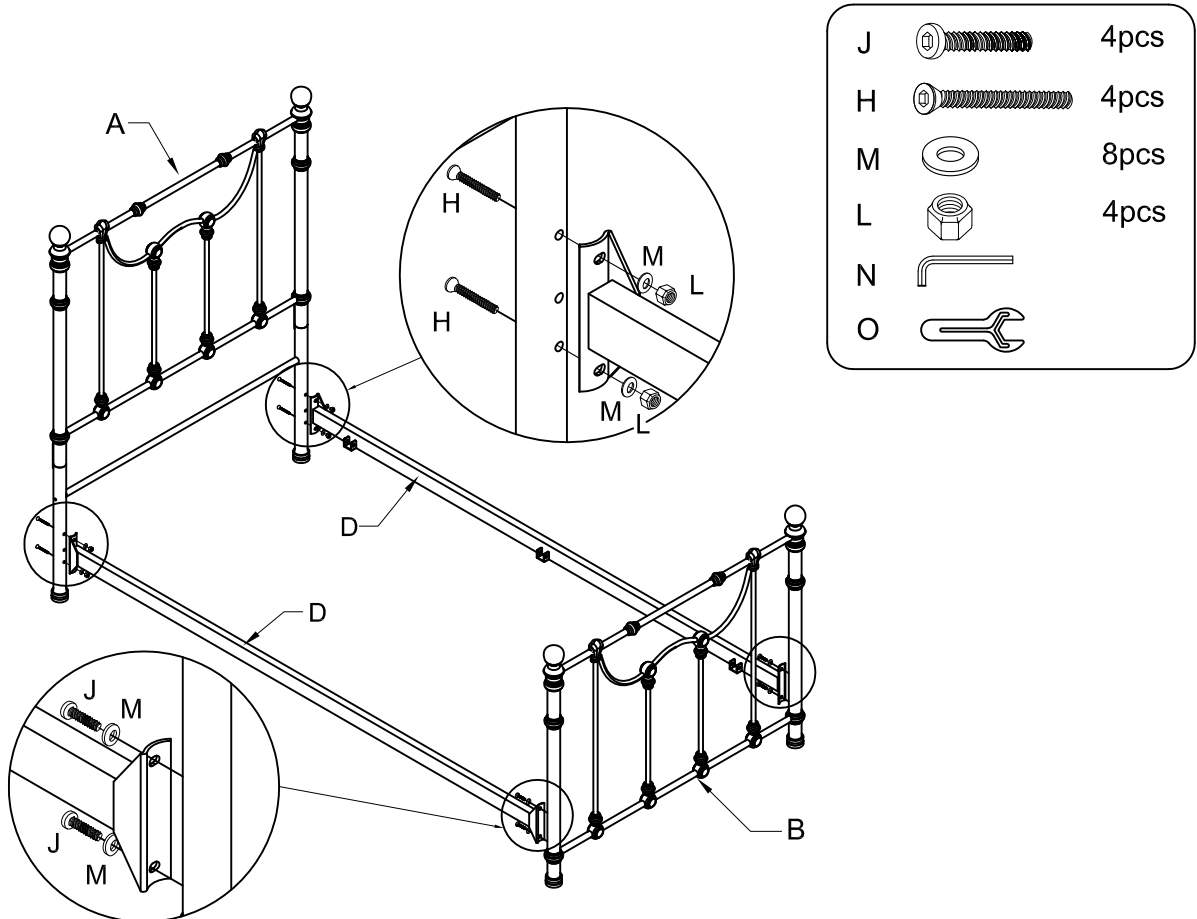


**3**

Assemble the extension leg (C) to the headboard (A) with 2pcs bolt (K) then fastened using allen wrench (N).

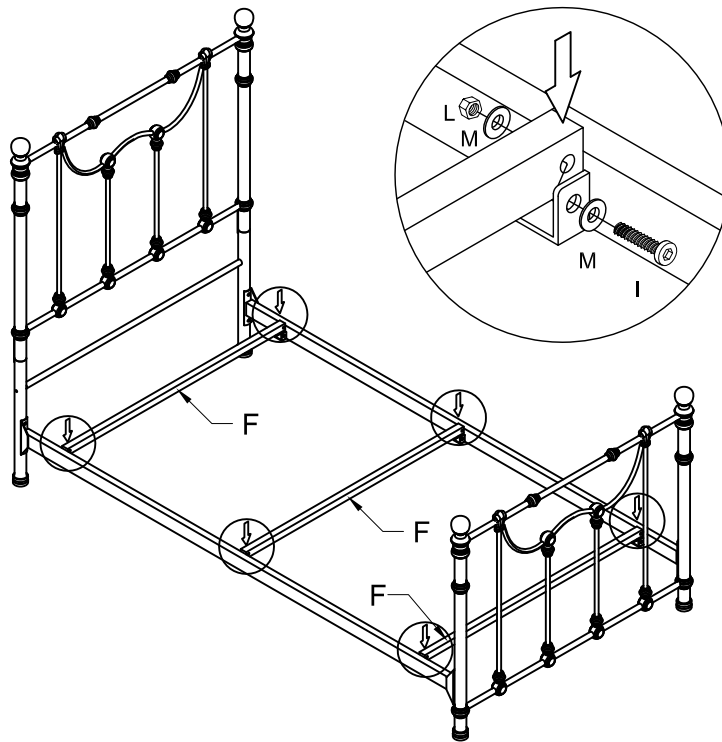
**4**

Assemble the side rail (D) to the headboard (A) with 4pcs bolt (H) and 4 pcs flat washer (M) and 4 pcs nut (L). Assemble the side rail (D) to the footboard (B) with 4pcs bolt (J) and 4 pcs flat washer (M), then fastened using allen wrench (N) and wrench (O).



**5**

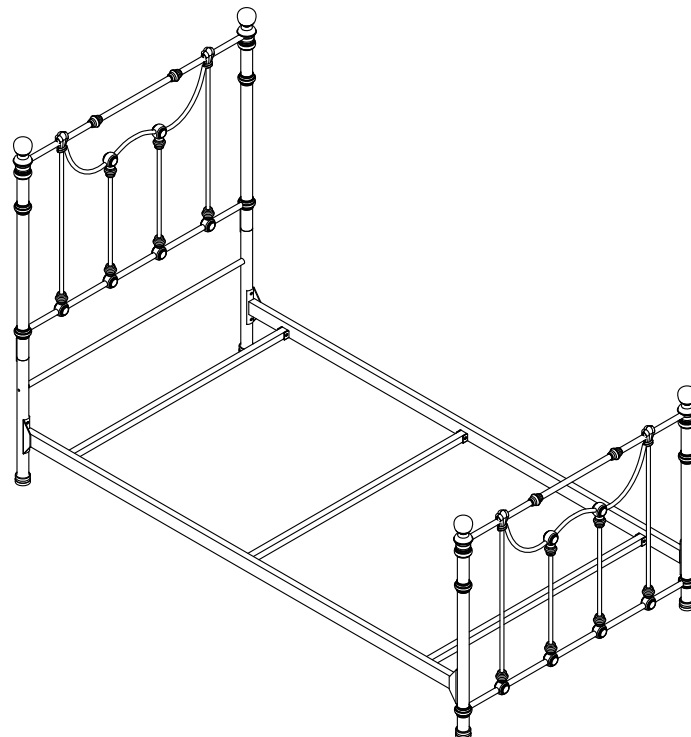
Assemble the slats (F) to the side rail (D) with 6pcs bolt (I) and 12pcs flat washer (M) and 6pcs nut (L), then fastened using allen wrench (N) and wrench (O).



I		6pcs
M		12pcs
L		6pcs
N		
O		

**6**

Completed



**Cleaning & Care:**

Treat surface with care. Surface is resistant to scratches but is not scratch resistant. Clean surfaces with a dry or damp soft cloth. Do not use abrasive cleaners. Hardware may loosen over time. Periodically check that all connections are tight.