

INSTRUCTION MANUAL ENCLOSED

ATTENTION

**IF YOU HAVE ANY PROBLEMS OR QUESTIONS, EMAIL OR CALL
CUSTOMER SERVICE BEFORE YOU RETURN THIS PRODUCT TO THE
STORE WHERE IT WAS PURCHASED.**

For Customer Service:

USA: Email: sirio@orderhelp.com /Call: 1-877-897-1222

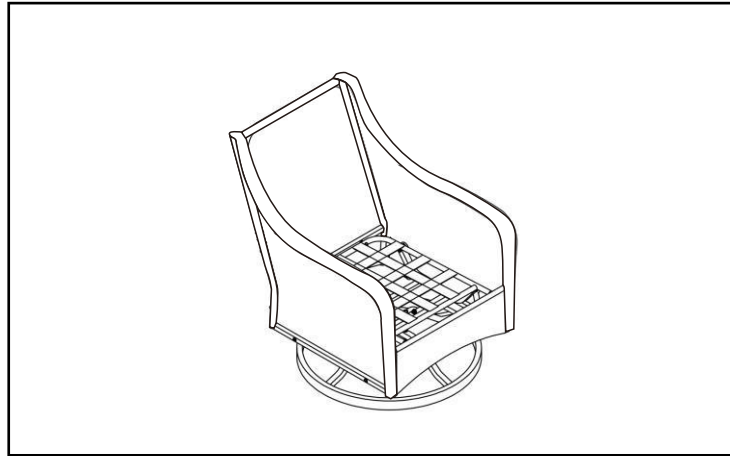
CANADA: Email: support@sirio.ca /Call: 1-866-666-0421

INSTRUCTION MANUAL ENCLOSED

SWIVEL CHAIR

CC066 & CC070

SWIVEL CHAIR ASSEMBLY INSTRUCTION



Part	DESCRIPTION	Quantity
PARTS LIST		
PARTS		
A	Right Armrest	1
B	Left Armrest	1
C	Chair Seat	1
D	Chair Back	1
E	Rocking Track	1
F	Swivel Chair Base	1
HARDWARE		
H	Bolts M6 *40mm	18
I	Washers	18
K	Screw Nuts	8
L	Allen Key	1
M	Hex Spanner	1

A	B	C	D	E	F
X1	X1	X1	X1	X1	X1
H	I	K	L	M	
M6*40					
X18	X18	X8	X1	X1	

For Customer Service:

Email: support@orderhelp.com
support@sirio.ca

Call: 1-877-897-1222 / 1-866-666-0421

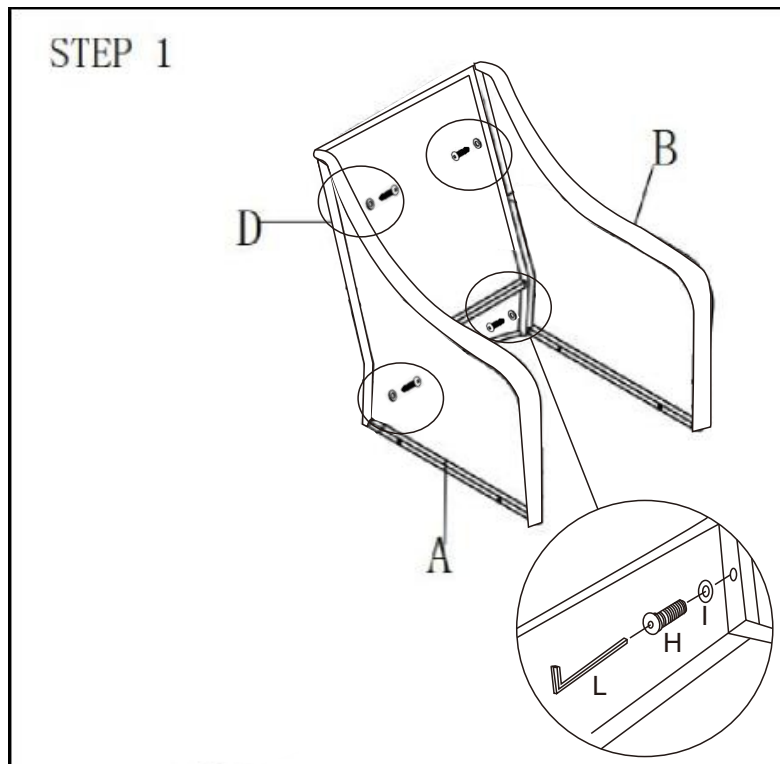
PLEASE READ AND FOLLOW ALL SAFETY TIPS

GETTING STARTED

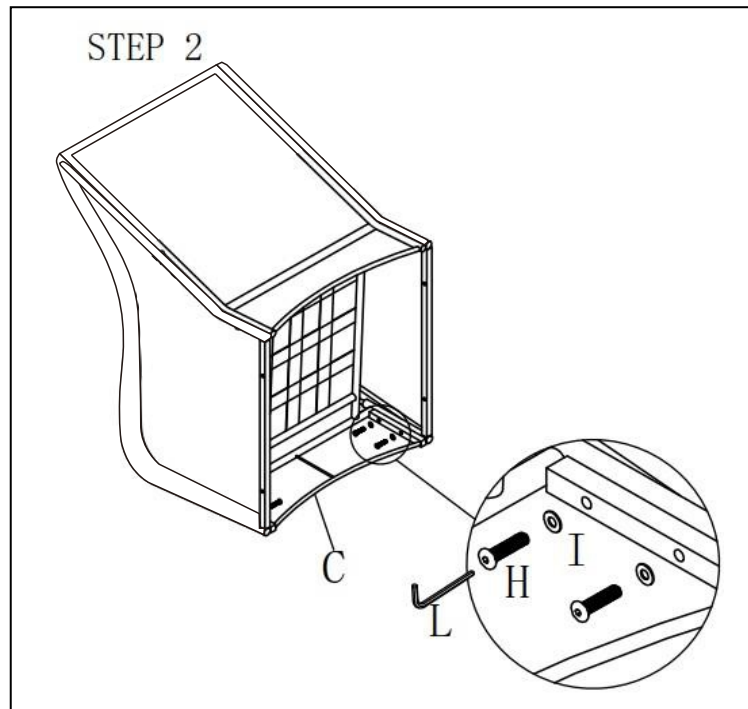
1. Before assembly, CAREFULLY use scissors or utility knife to cut and unwrap all parts. Make sure you do not discard the hardware.
2. Make sure that you have all the parts listed. If you are missing any parts, please email Customer Service: USA: support@orderhelp.com or call 1-877-897-1222. Canada: support@sirio.ca or call 1-866-666-0421. Please identify the parts you need and model number. Make sure to include your name and address.

***Tips: Do not fasten all bolts completely tight until finish all steps.

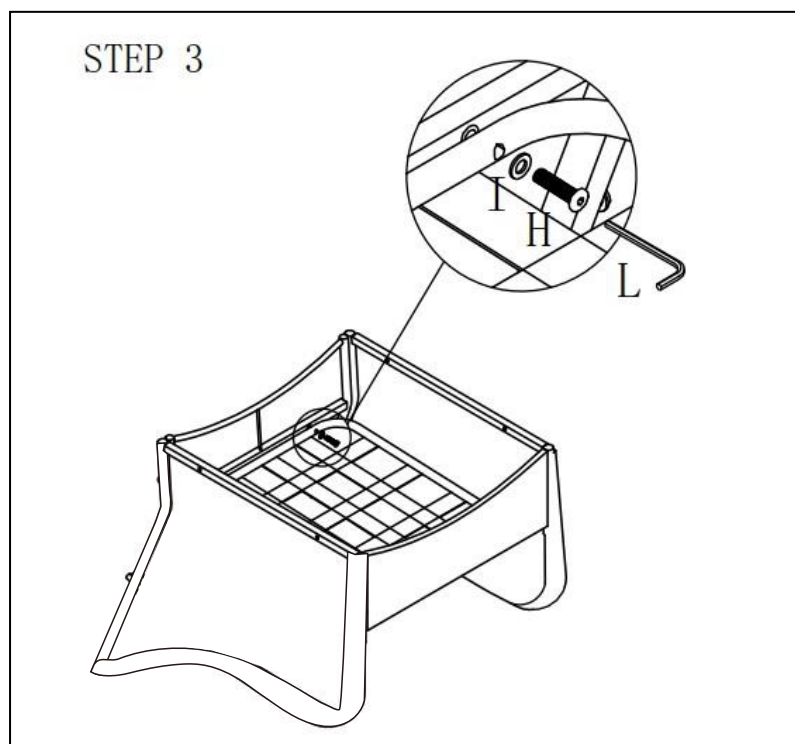
1. Locate the Armrests(A & B) to the Chair Back(D) by the pre-drilled threads. Fasten Bolts(H) with Washers (I) by using Allen Key(L) to combine armrests and chair back together. 4 bolts should be fastened totally. Do not tighten bolt. (Step 1)



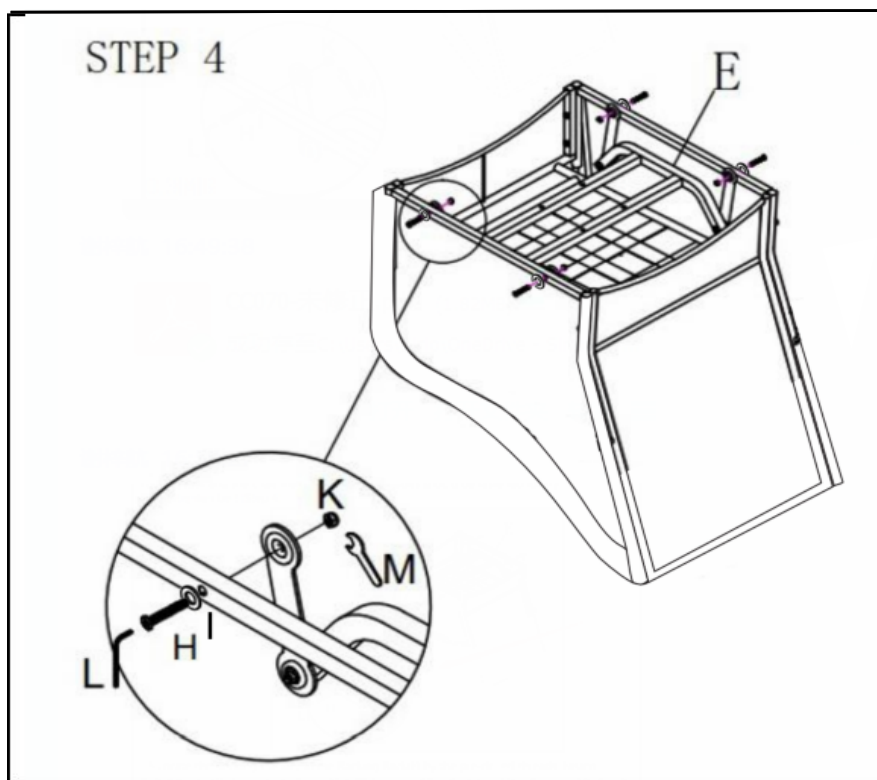
2. Locate the Chair Seat(C) to the Armrests(A & B) by the pre-drilled threads. Fasten Bolts(H) with Washers (I) by using Allen Key(L) to combine armrests and chair seat together. 4 bolts should be fastened totally. Do not tighten bolt. (Step 2)



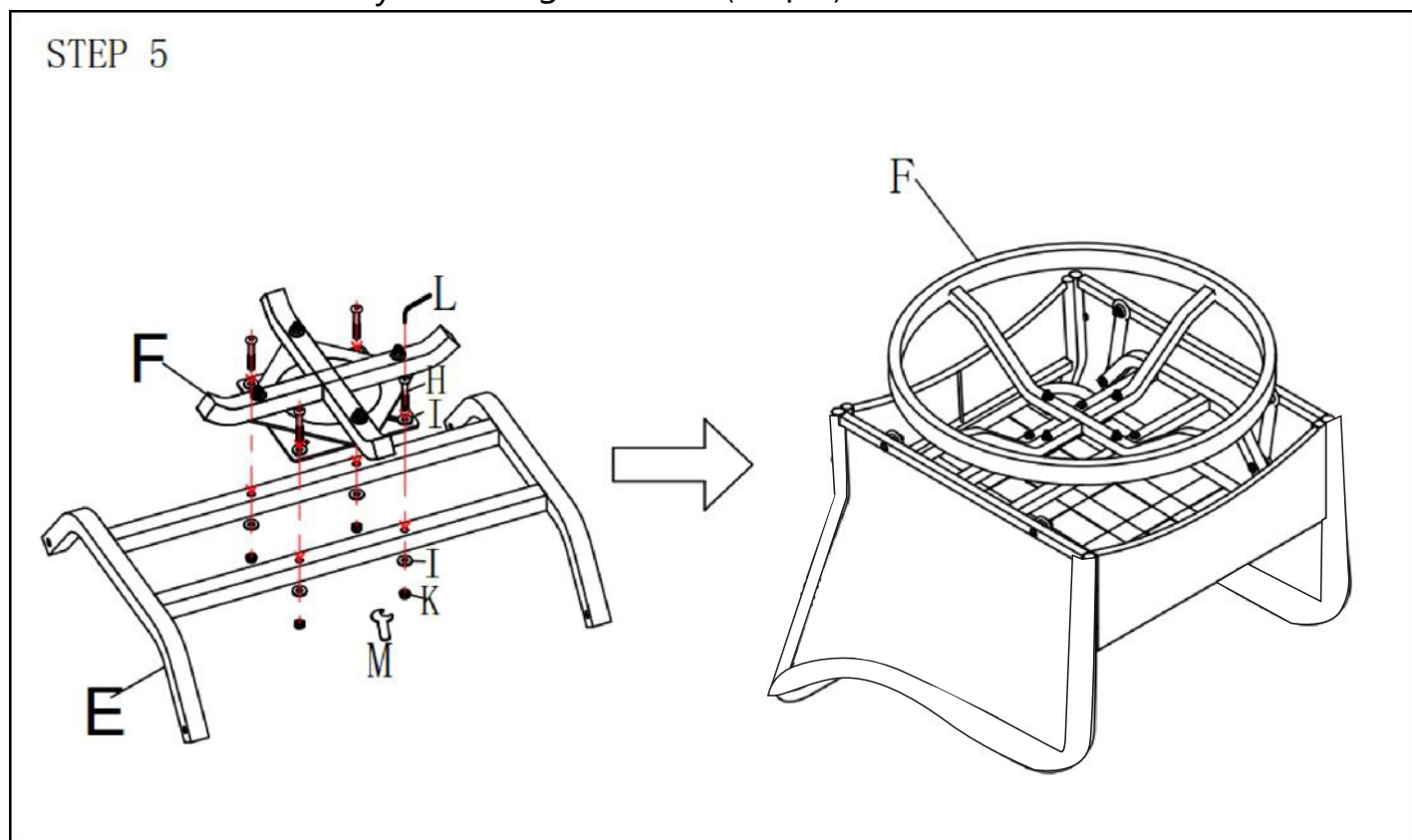
3. Locate the Chair Seat(C) to the Chair Back(D) by the pre-drilled threads. Fasten Bolts(H) with Washers (I) by using Allen Key(L) to combine chair seat and chair back together. 2 bolts should be fastened totally. Do not tighten bolt. (Step 3)



4. Locate the Rocking Track(E) to the Armrests' bottom(A & B) by the pre-drilled threads. Fasten Bolts(H) into Screw Nuts(K) by using Allen Key(L) and Hex Spanner(M) to combine rocking rack and the chair main part together. 4 bolts should be fastened totally. Do not tighten bolt.(Step 4)



5. Locate the Rocking Track(F) to the Rocking Rack(E) by the pre-drilled threads. Fasten Bolts(H) with Washers (I) into Screw Nuts(K) by using Allen Key(L) and Hex Spanner(M). 4 bolts should be fastened totally. Do not tighten bolt. (Step 5)



6. Fasten all bolts tight.

Till now you have finished the whole assembly and enjoy your chair!!