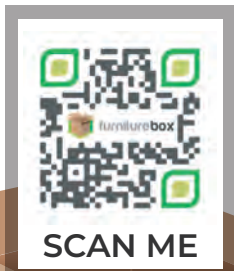
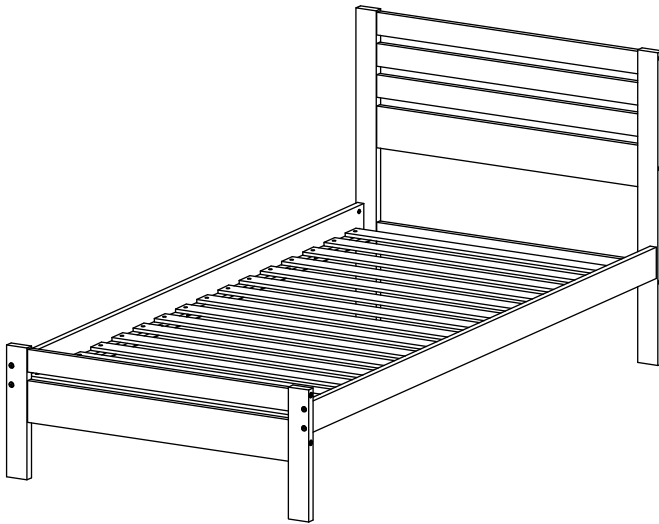


Declan Single Bed Frame

ASSEMBLY GUIDE



www.furniturebox.co.uk

Scan QR code for more tips,
and advice or visit
furniturebox.co.uk/club/general-club-page

Important - Please read these instructions fully before starting assembly



SAFETY AND CARE ADVICE



NO POWER TOOLS

SAFETY AND CARE ADVICE

- Check you have all the components and tools listed.
- Remove all fittings from the plastic bags and separate them into their groups.
- We do not recommend the use of power drills/drivers for inserting screws, as this could damage the unit. Only use hand screwdrivers and Allen keys.
- Keep children and animals away from the work area, small parts could cause choking if swallowed.
- Make sure you have enough space to lay out the parts before starting.
- Assemble the item as close to its final position (in the same room) as possible.
- Do not overtighten the nuts to avoid causing damage to the threads.
- Only clean using a damp cloth and mild detergent, do not use bleach or abrasive cleaners.
- From time to time check that there are no loose screws on this unit.
- This product should not be discarded with household waste. Take to your local authority waste disposal centre.



IMPORTANT INFORMATION



60 MINUTE
BUILD

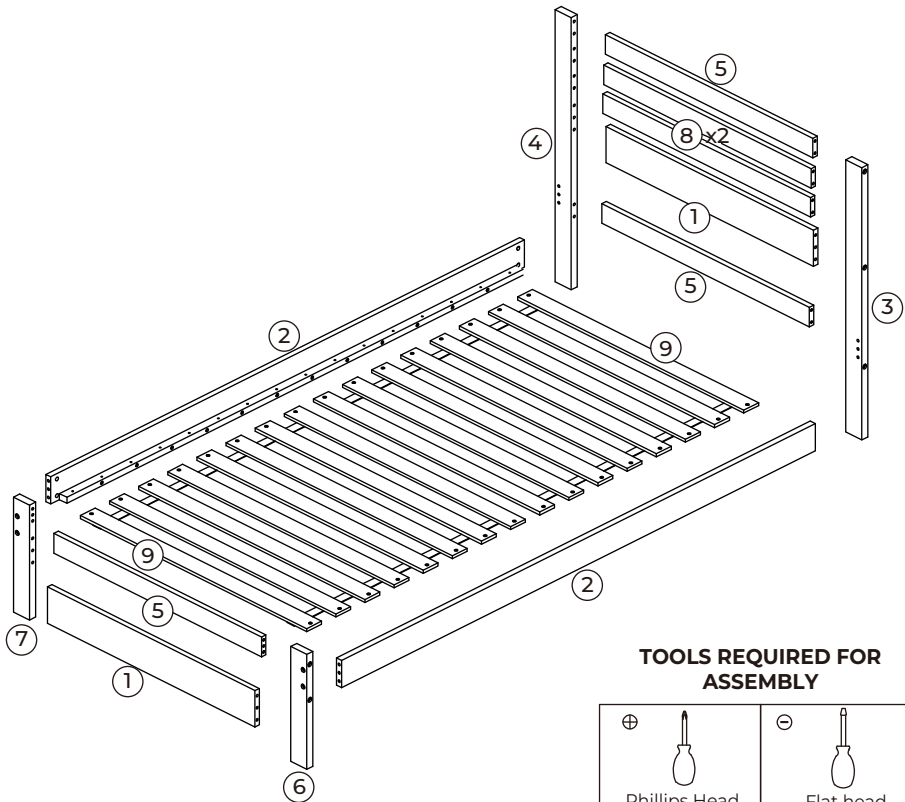


TWO
PERSON



MAXIMUM
CAPACITY 100Kg

PLEASE CHECK CAREFULLY AND MAKE SURE YOU HAVE ALL FITTINGS AND TOOLS LISTED BELOW BEFORE YOU START.



NOTE: The quantities above are the correct amount to complete the assembly.
In some cases more fittings may be supplied than are required.

IMPORTANT INFORMATION



60 MINUTE
BUILD









TWO
PERSON



MAXIMUM
CAPACITY 100Kg

PLEASE CHECK CAREFULLY AND MAKE SURE YOU HAVE ALL FITTINGS AND TOOLS LISTED BELOW BEFORE YOU START.

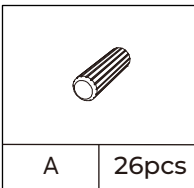
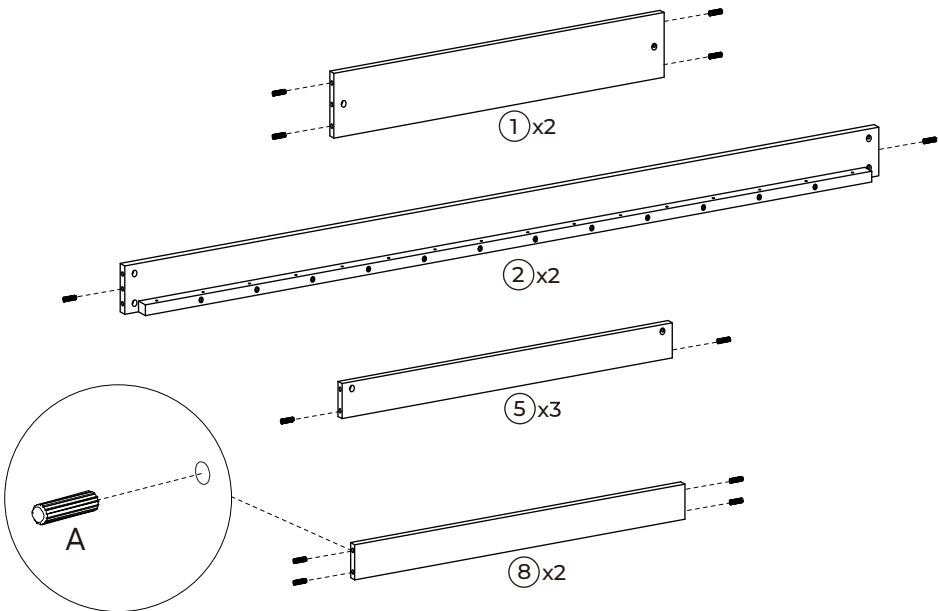
HARDWARE LIST:

			
M8x30mm	M6x100mm	M6x60mm	Ø10x13mm
A	B	C	D
26PCS	10PCS	8PCS	18PCS
			
M4x25mm	4mm		
E	F		
32PCS	1PCS		

NOTE: The quantities above are the correct amount to complete the assembly.
In some cases more fittings may be supplied than are required.

STEP 1

Insert 26 x Dowels [A] into 2 x Headboard & Footboard Panels [1], 2 x Side Rails [2], 3 x Headboard & Footboard Top Panels [5] and 2 x Headboard Middle Panels [8] as shown.



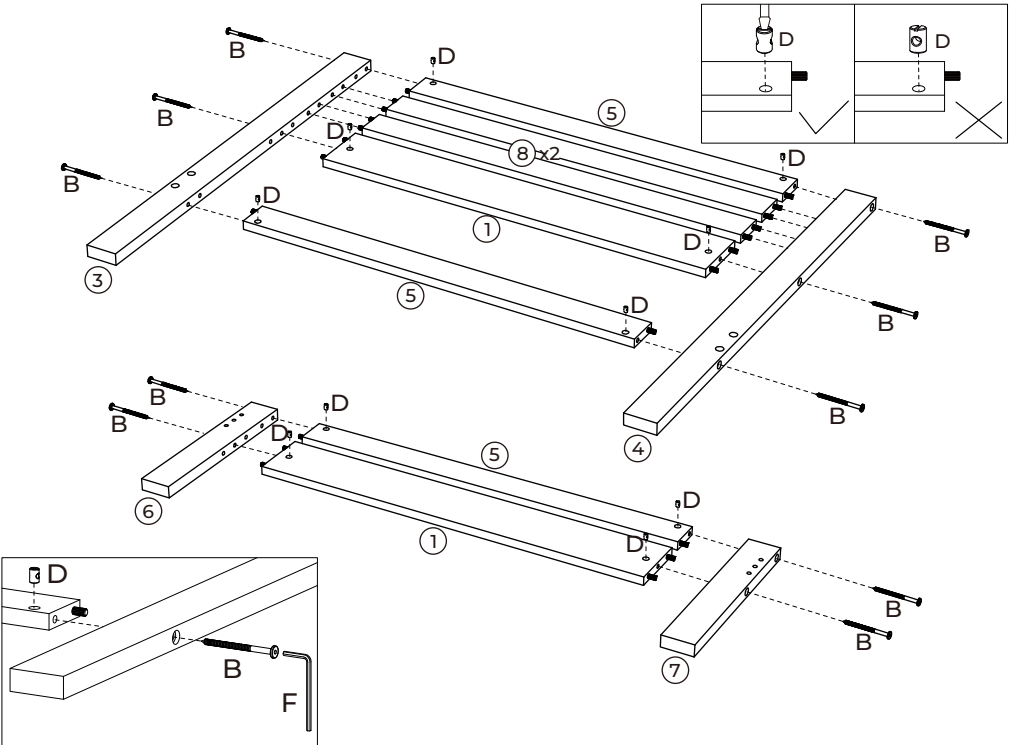
STEP 2





Attach Headboard Right Post [3] and Headboard Left Post [4] to 2 x Headboard & Footboard Top Panels [5], 2 x Headboard Middle Panels [8] and Headboard & Footboard Panels [1].

Secure using 6 x Bolts [B] and 6 x Barrel Nuts [D] with Allen Key [G].

Attach Footboard Right Post [6] and Footboard Left Post [7] to Headboard & Footboard Panel [1] and Headboard & Footboard Top Panel [5].

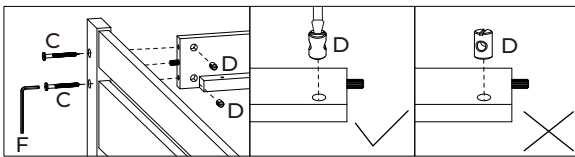
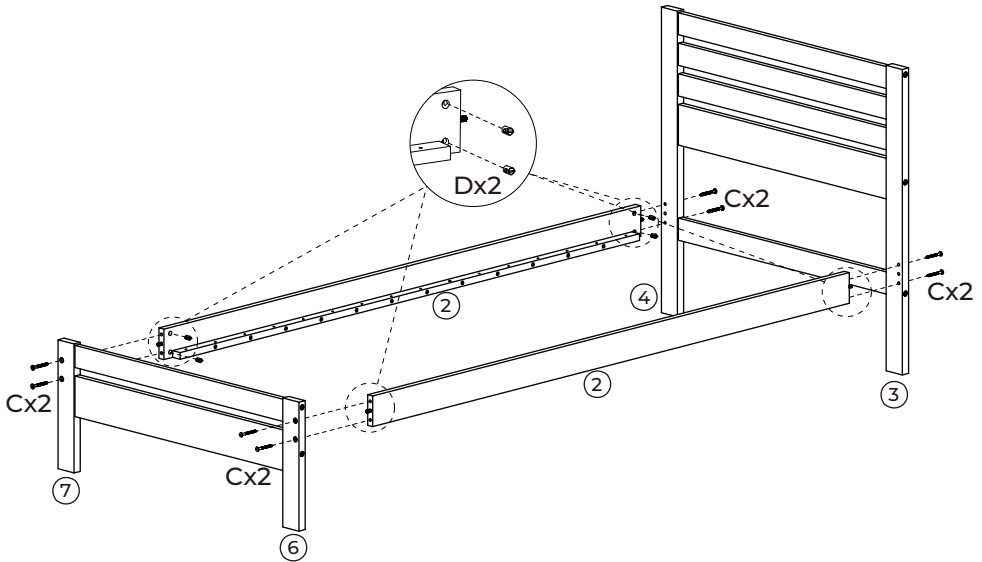
Secure using 4 x Bolts [B] and 4 x Barrel Nuts [D] with Allen Key [G] as shown.

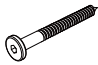





			
M6x100mm	Ø10x13mm	4mm	Flat head Screwdriver
B	D	F	
10pcs	10pcs	1pc	

STEP 3

Attach 2 x Side Rails [2] to the completed Headboard, and then attach the completed Footboard to the other end of 2 x Side Rails [2].
Secure using 8 x Bolts [C] and 8 x Barrel Nuts [D] With Allen Key [F] as shown.



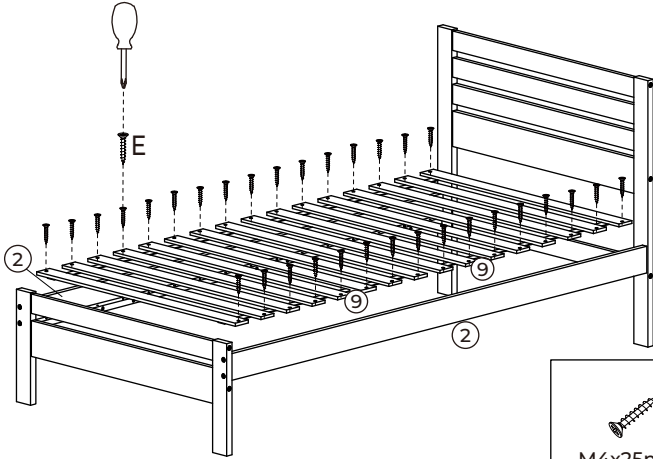
			
C	8pcs	D	8pcs
		F	1pc
			Flat head Screwdriver







STEP 4

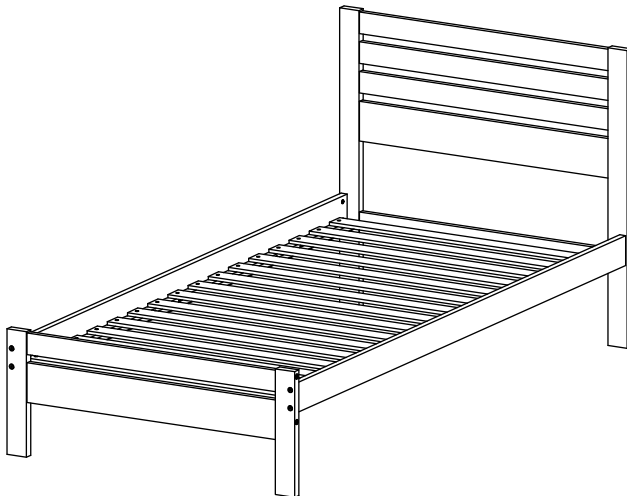
Attach 2 x Slats [9] to 2 x Side Rails [2].
Secure using 32 x Screws [E] with Phillips head Screwdriver as shown.



	
M4x25mm	Phillips Head Screwdriver
E	32pcs

STEP 5

Your Single bed frame is now complete.





a little bit **ABOUT US**

Launched in 2015 by 17-year-old best friends Monty and Dan, **Furniturebox** has grown to become an award-winning company that's changed the way people shop online for furniture.

We're dedicated to helping people create their dream homes, and that means providing exceptional customer experience and offering beautiful, high-quality, affordable products.

Furniturebox is an online furniture retailer specialising in modern, on trend home furniture which has a designer look whilst also being budget friendly.

Service is important to us with next day delivery when ordering before 8pm, a rating of 4.9 out of 5 on Trustpilot and a 2 year guarantee on all of our products.

What makes us special...



FREE NEXT DAY DELIVERY
ORDER BEFORE 8PM



THOUSANDS OF HAPPY CUSTOMERS



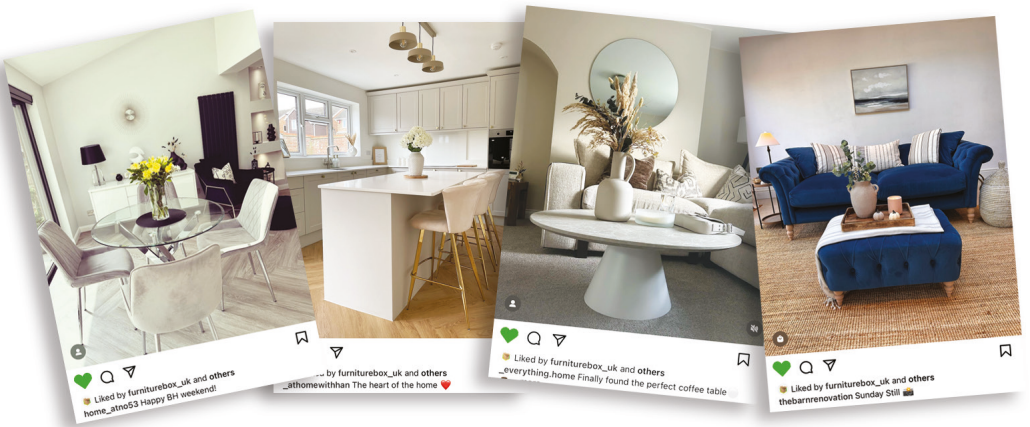
2-YEAR GUARANTEE FOR PEACE OF MIND



follow us on Instagram
[@furniturebox_uk](https://www.instagram.com/furniturebox_uk)

www.furniturebox.co.uk

let's stay **IN TOUCH**



WE **LOVE** INTERIORS! SHARE
YOURS WITH US ON SOCIAL MEDIA

1. Follow us on our socials |
2. Post your snap or video
3. Tag us so we can see (and for a chance to be featured!)



@furnitureboxUK



@furniturebox_uk



@furnitureboxuk



@furniturebox_uk



follow us on Instagram
@furniturebox_uk

www.furniturebox.co.uk

Looking Good!



Now you've assembled your furniture, find out how to care for your item and keep it looking brand new.

Product Care Handbook: A Guide To Protecting Your Product

product CARE ADVICE

All Furniturebox products are subject to our rigorous quality testing procedure to ensure that the highest possible standards are met. As a result, we're really proud of the fact that all of our products arrive with our customers quality assured, conforming to all UK regulations and complete with up to a 2 year manufacturer's guarantee. In the unlikely event that your item

does arrive to you with a damage or defect, please do let us know within the first 7 days so that we can resolve it for you as quickly as possible. You can read the full details of our guarantee on our website, but in order to ensure your product continues to look as good and function as flawlessly as the day you received it, please do take note of the relevant product care advice.

product caring for MIRRORED SURFACES

When cleaning your mirror it is best to avoid liquids and instead use a dry, clean cloth.

The use of an abrasive cleaning product can damage the mirror surface and edges. Do not use any acidic or alkali cleaning products as these can seriously damage your mirror and should be avoided.

To reduce the chances of surface scratches, be sure to use a soft, grit-free cloth for all cleaning purposes.



furniturebox

PRODUCT Care Guide

IMPORTANT INFORMATION INSIDE

A handy guide for how to get the best out of your new furniture

www.furniturebox.co.uk

GENERAL USAGE ADVICE

Please read the product assembly guide thoroughly, making sure to follow all instructions carefully and accurately.

Take note of the relevant cleaning and maintenance advice provided for specific product materials.

Only use your product on firm, level ground and do not exceed the recommended maximum load weight detailed in your assembly guide.

To preserve the items cosmetic appearance, please avoid exposing your product to direct, intense sunlight for prolonged periods of time.

Where applicable, make use of the anti-tipping mechanisms included to ensure tables are stable and safe.

Need Inspiration? Follow us on [f](#) [i](#) [t](#) [v](#)

www.furniturebox.co.uk

Look for your care guide in the box or visit:
www.furniturebox.co.uk/club/care-guide



Our 2 Year **GUARANTEE**

Our products come with a 2 year guarantee, giving you extra peace of mind when shopping with us!

What the guarantee covers



PRE-INSERTED FIXINGS
e.g. loose metal threads



FAULTY JOINTS
e.g. legs bending



EXTERNAL FIXING FAULTS
e.g. metal discs removing
from table top



STRUCTURAL INTEGRITY
e.g. the frame of the
product

Activate Your **GUARANTEE**



Scan this QR code with your phone to read the full guarantee online and register your product. It only takes a moment to fill out.

Or visit: furniturebox.co.uk/our-guarantee