

# *ASSEMBLY INSTRUCTIONS*



## *Daybed With Trundle*

# ASSEMBLY INSTRUCTIONS

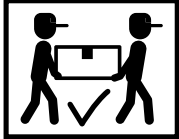
## ASSEMBLY TIPS:

1. Remove hardware from box and sort by size.
2. Please check to see that all hardware and parts are present prior to start of assembly.
3. Please follow attached instructions in the same sequence as numbered to assure fast & easy assembly.



### WARNING !

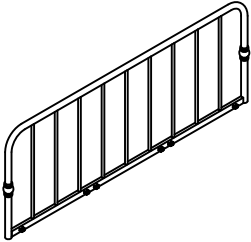
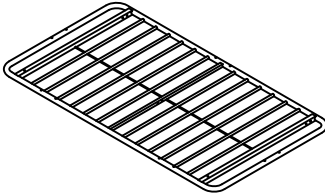

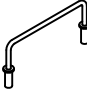
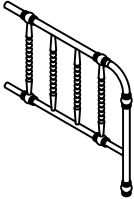
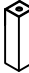
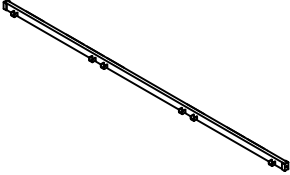

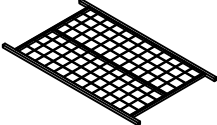
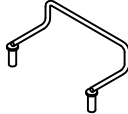
1. Don't attempt to repair or modify parts that are broken or defective. Please contact the store immediately.
2. This product is for home use only and not intended for commercial establishment.



ASSEMBLY TIME

30 MINUTE


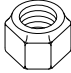





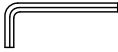

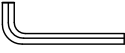

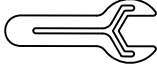
## PARTS IDENTIFICATION

A	BACK PANEL		1PC	F	TRUNDLE		1PC
B	LEG		2PCS	G	HANDLE 01		3PCS
C	SIDE PANEL		2PCS	H	SUPPORT LEG		2PCS
D	RAIL		1PC	I	CASTER		3PCS
E	BASE FRAME		3PCS	J	HANDLE 02		2PCS

### NOTE:

Phillips head screw driver is required in the assembly process; however, manufacturer does not provide this item.

## HARDWARE IDENTIFICATION

1	<b>BOLT</b> (5/16"x2-1/4" - WHT)		2PCS	7	<b>NUT</b> (ϕ1/4 - WHT)		6PCS
2	<b>BOLT</b> (1/4"x2-1/4" - WHT)		4PCS	8	<b>WASHER</b> (ϕ16mm - WHT)		18PCS
3	<b>BOLT</b> (1/4"X1-3/4" - WHT)		4PCS	9	<b>WASHER</b> (ϕ30mm - WHT)		2PCS
4	<b>BOLT</b> (1/4"X1-3/8" - WHT)		2PCS	10	<b>ALLEN KEY</b> (4x22x60mm - WHT)		1PC
5	<b>BOLT</b> (1/4"X5/8" - WHT)		22PCS	11	<b>ALLEN KEY</b> (5x24x60mm - WHT)		1PC
6	<b>BOLT</b> (1/4"X2" - WHT)		2PCS	12	<b>WRENCH</b> (WHT)		1PC

**NOTE:**

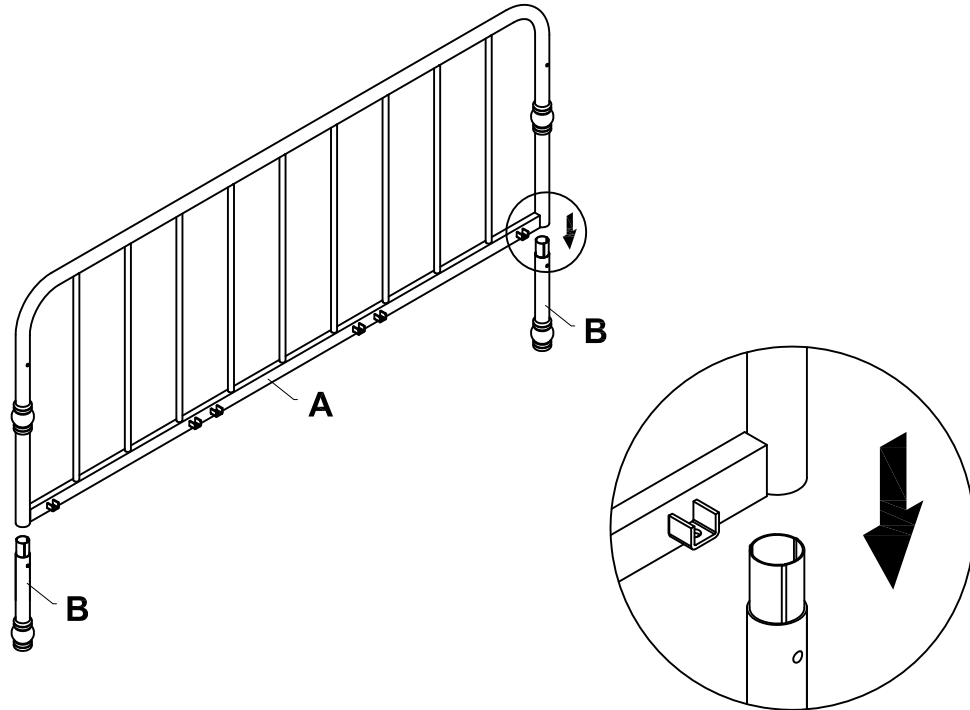
Phillips head screw driver is required in the assembly process; however, manufacturer does not provide this item.

# ASSEMBLY INSTRUCTIONS

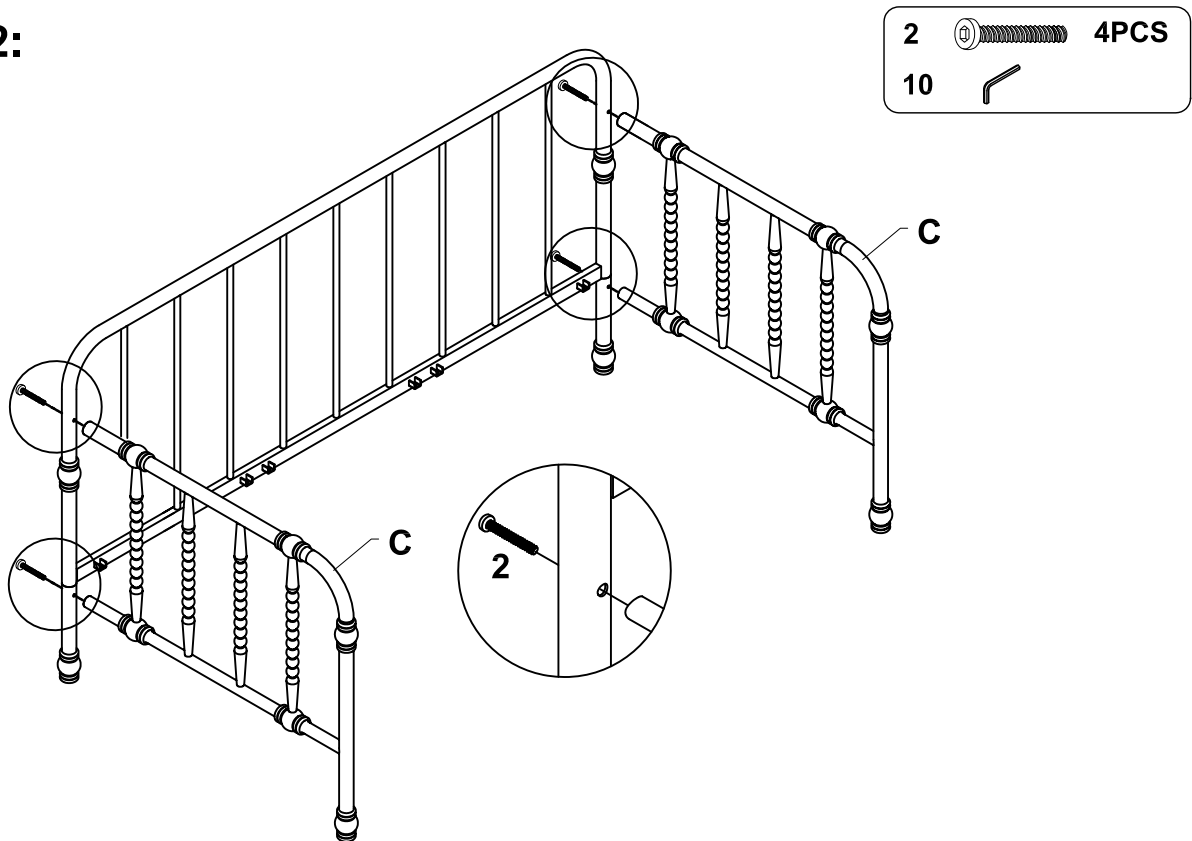
## STEP 1:

### ASSEMBLY

Do not fully tighten all bolts until assembly is complete.  
This will help all parts to assemble properly.

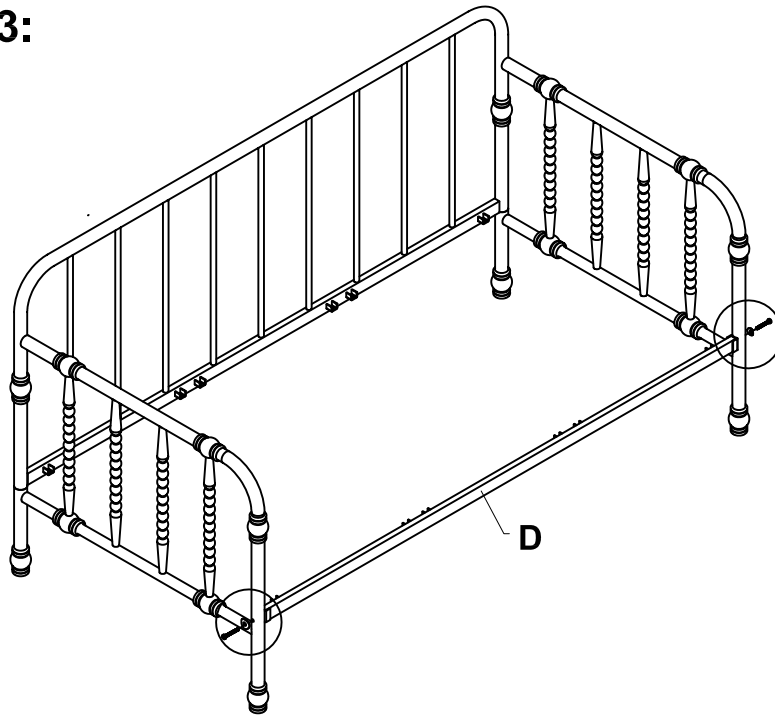





## STEP 2:

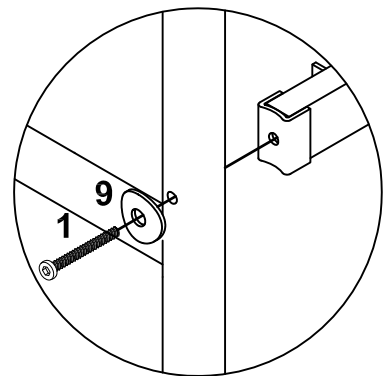


# ASSEMBLY INSTRUCTIONS

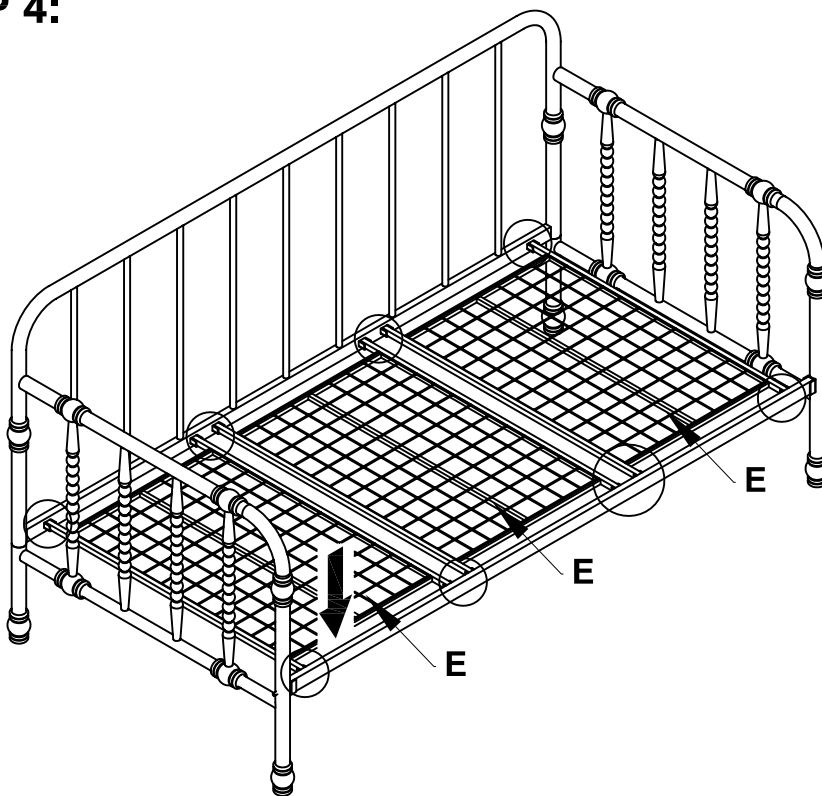
## STEP 3:






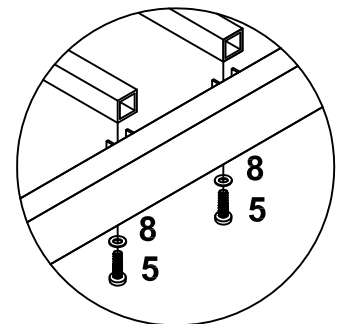
1		2PCS
9		2PCS
11		



## STEP 4:

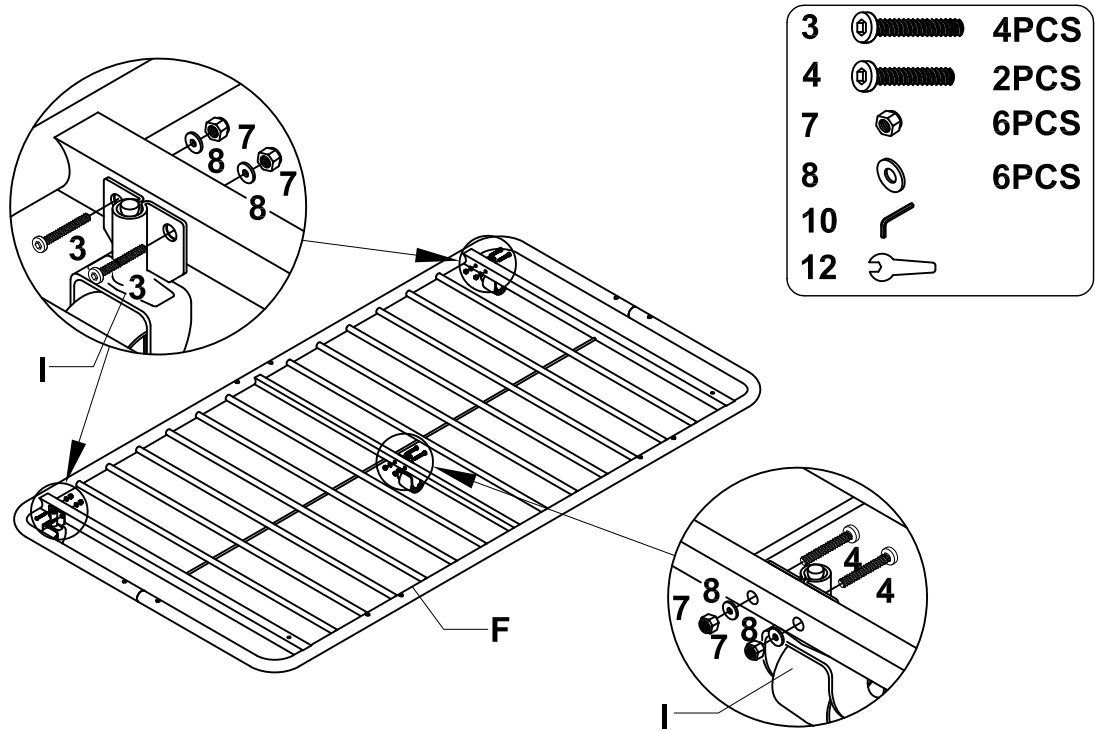


5		12PCS
8		12PCS
10		

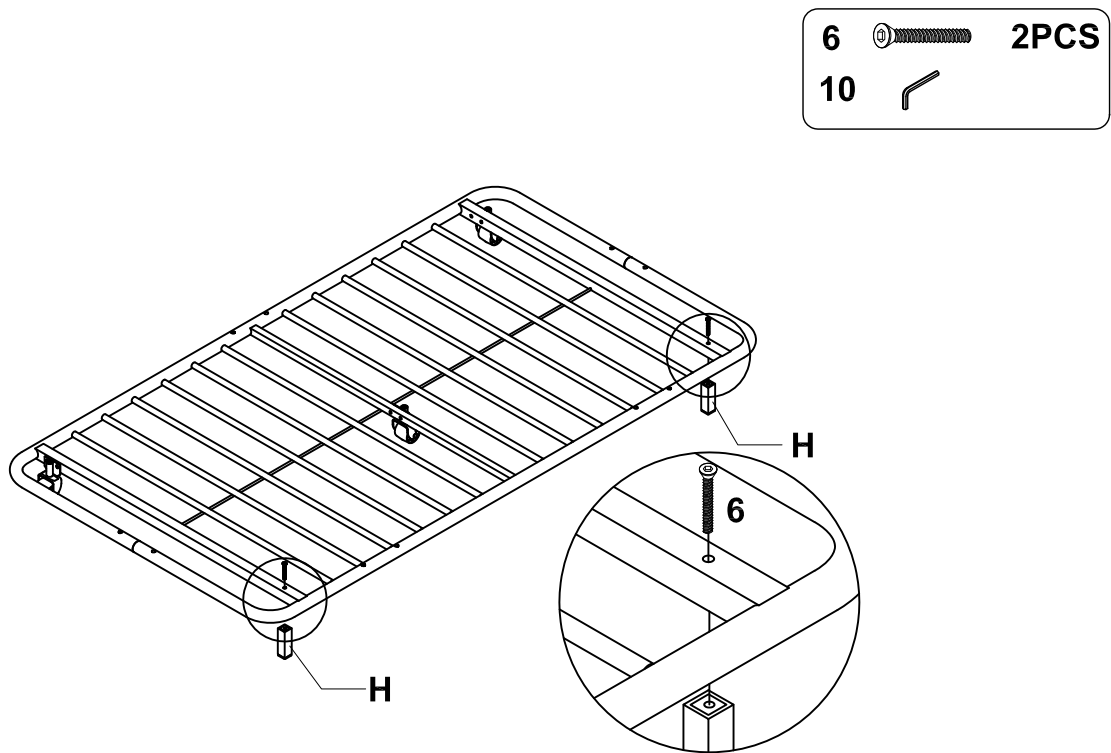


# ASSEMBLY INSTRUCTIONS

## STEP 5:

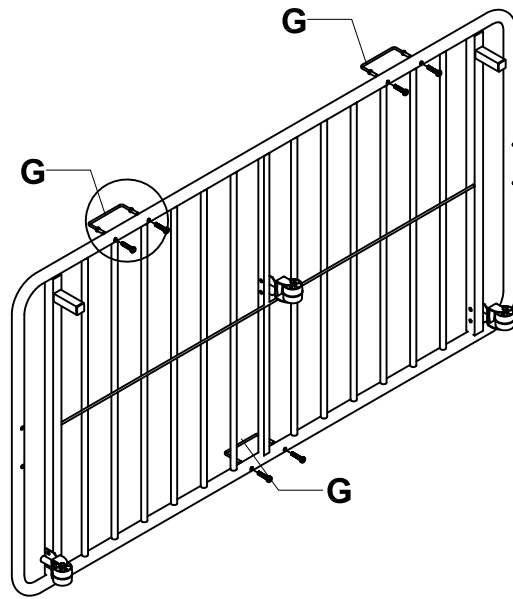




## STEP 6:

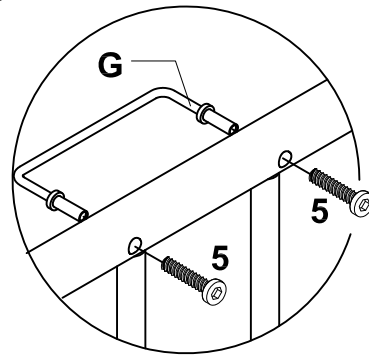


# ASSEMBLY INSTRUCTIONS

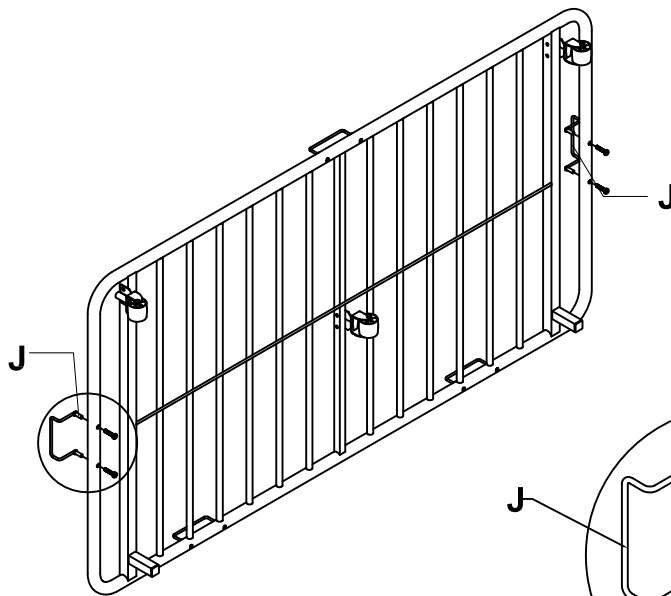
## STEP 7:





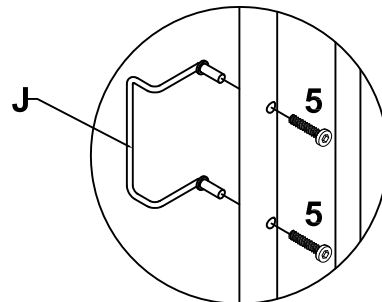
5		6PCS
10		



## STEP 8:

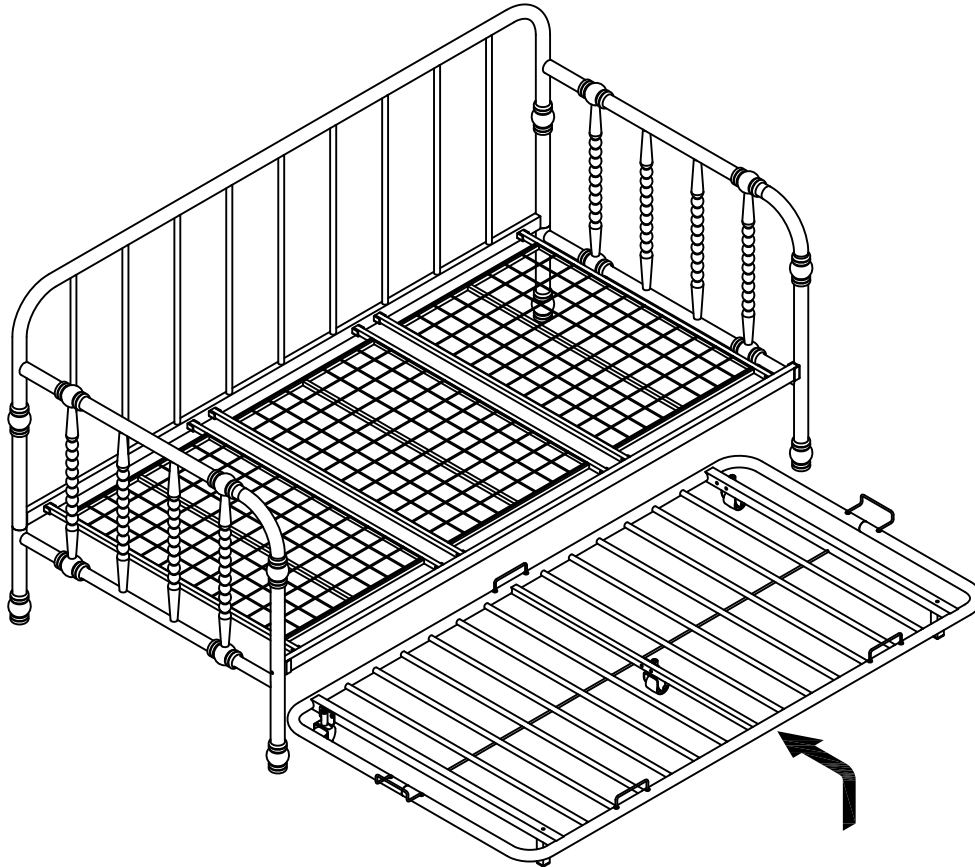


5		4PCS
10		



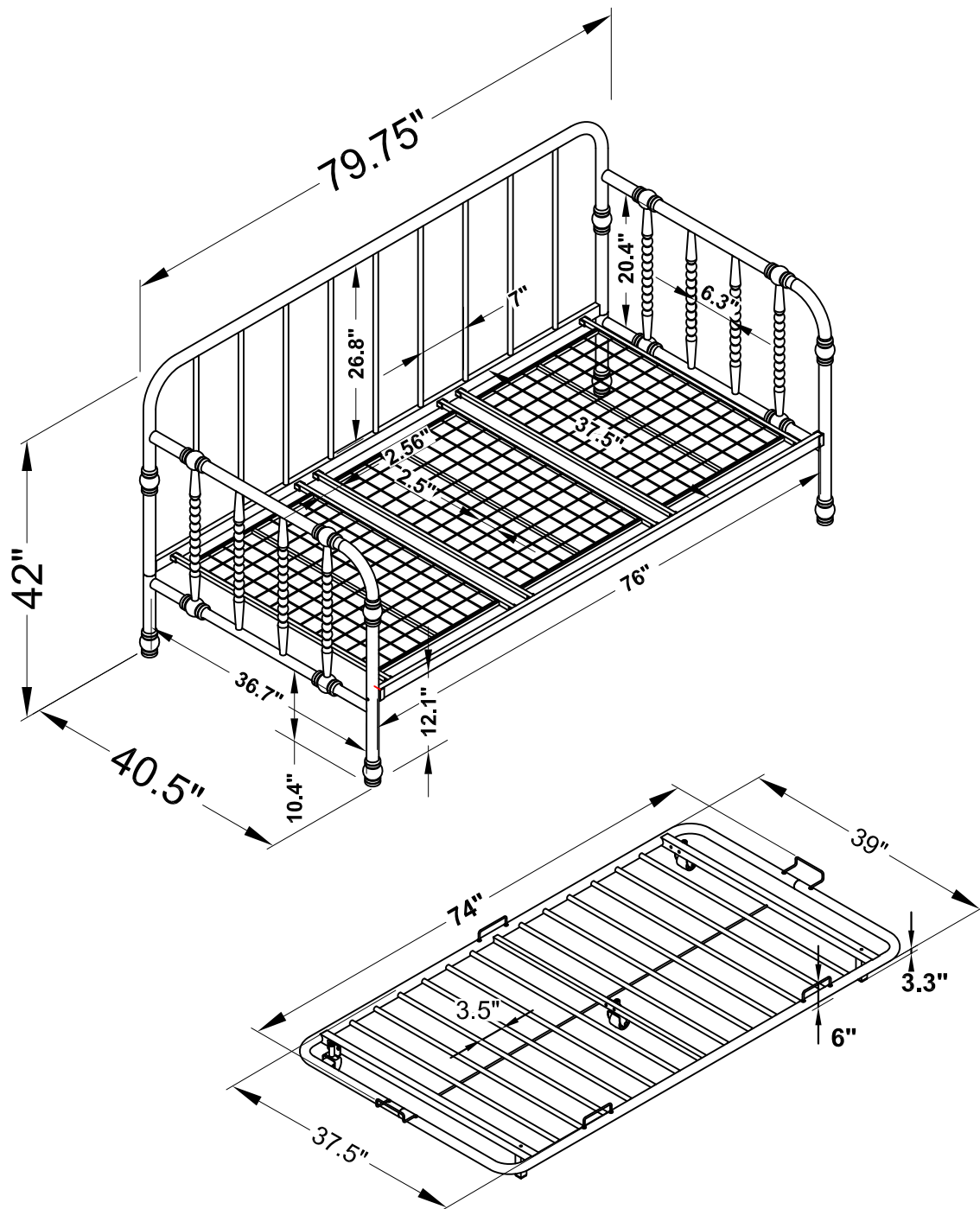
## ASSEMBLY INSTRUCTIONS

### STEP 9:



### WARNINGS:

- Use only mattress which is 74"-75" long and 37 $\frac{1}{2}$ "- 38 $\frac{1}{2}$ "wide.
- Do not allow horseplay or under the bed and prohibit jumping on the bed.
- Periodically check and ensure that all the components are in their proper position, free from damage, and that all connectors are tight.
- Do not use substitute parts, Contact the store for replacement part.
- Maximum total weight is not to exceed 400 lbs.
  
- **Keep these instructions for future reference.**



**Note :** Dimension tolerance  $\pm 5\%$