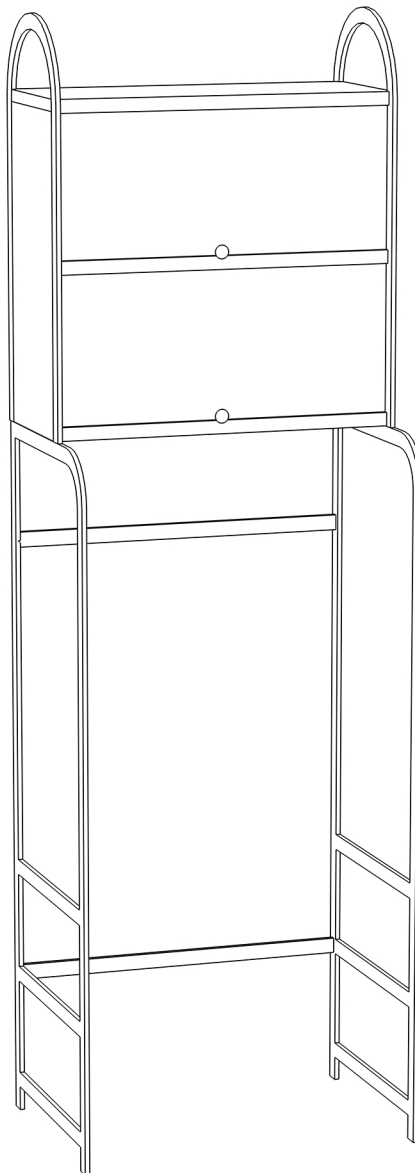


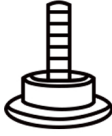

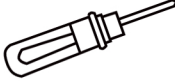
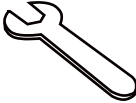
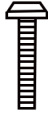
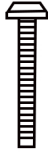
ASSEMBLY INSTRUCTIONS

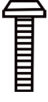
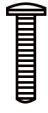
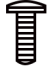



Important Safety Instructions:

- Please read all instructions before beginning assembly
- Please make sure receive all the parcels to start the assembly
- For your safety and convenience, assembly by two people is recommended
- Use the parts and hardware lists to identify and separate each of the components included
- Save all packing materials until assembly is completed to avoid the accidental discarding of smaller parts or hardware



HARDWARE LIST

Name	Part	QTY
(1)	 Adjustable Furniture Feet	4
(2)	 Hex Wrench	1
(3)	 Screwdriver	1
(4)	 Open-end Wrench	1
A	 (6*24) Screws	4
B	 (6*35) Screws	2

Name	Part	QTY
C	 (6*20) Screws	4
D	 (5*25) Screws	12
E	 (4*8) Screws	8
F	 Nuts	8
G	 Door Handle	2
H	 Door Handle Screws	2

PARTS LIST

(1)x2

Bottom Side Frame

(2)x2

Middle Side Frame

(3)x2

Top Side Frame

(4)x3

Shelf

(5)x1

Back Shelf (一)

(6)x1

Back Shelf (二)

(7)x2

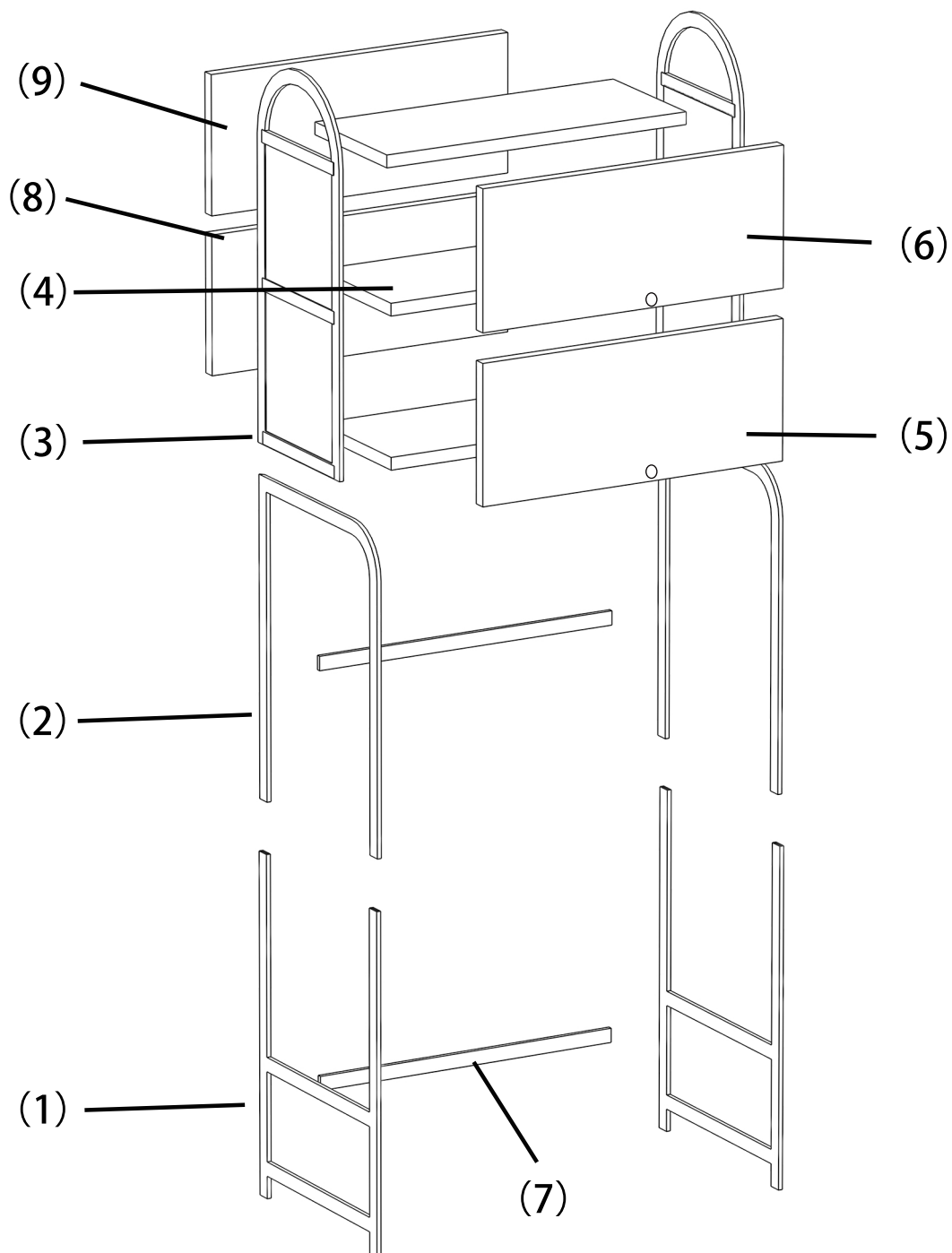
Back Stretcher

(8)x1

Shelf Door Panel (一)

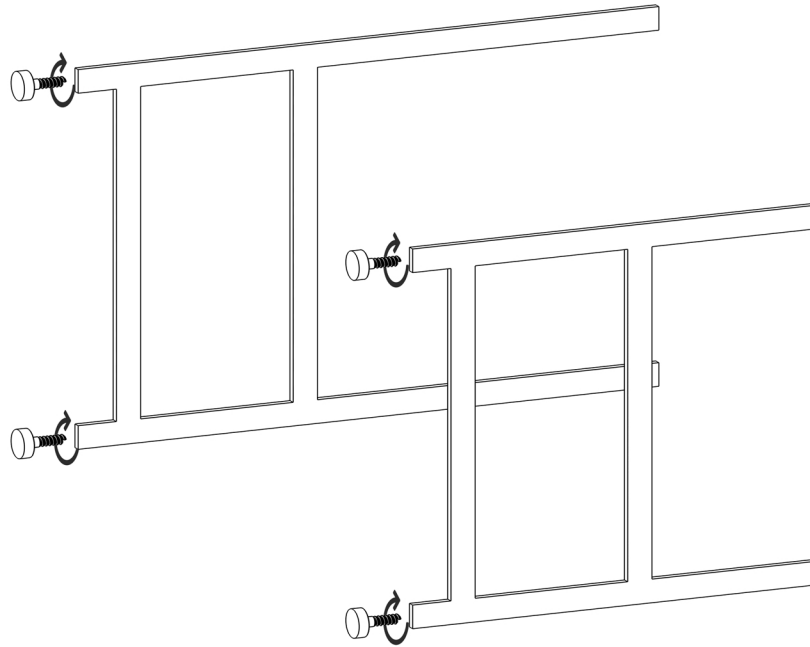
(9)x1

Shelf Door Panel (二)



STEP 1

Required parts	
Adjustable Furniture Feet *4	Bottom Side Frame *2

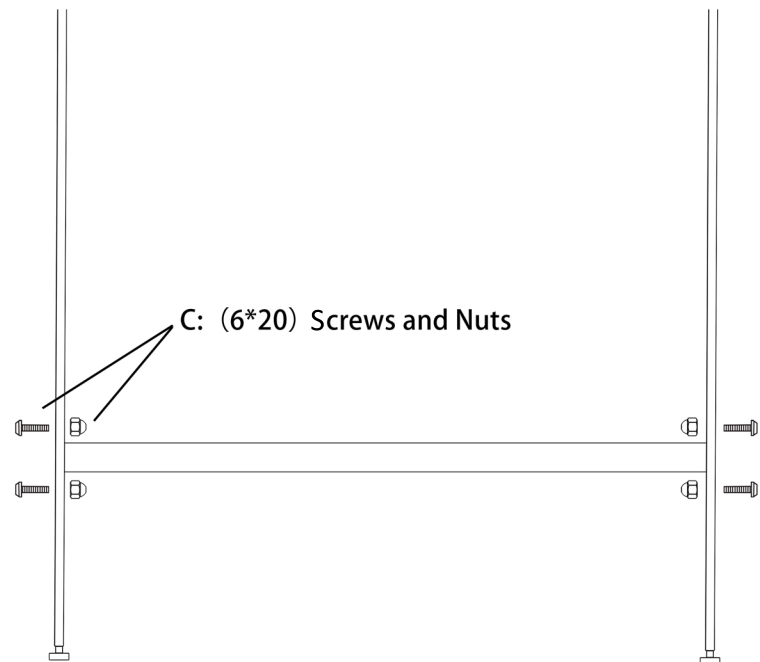


- ① Screw in each of the four Adjustable Furniture Feet;**
(Note: The Bottom Side Frame has a left and right side.)

STEP 2

Required parts	
Back Stretcher *1	Bottom Side Frame *2
C:(6*20) Screws *4	Nuts *4

- ① Install Back Stretcher to each bottom side and use (6*20) screws and nuts;**
(Note: When using screws and nuts, you can use the hex wrench\screwdriver\open-end wrench for installation.)

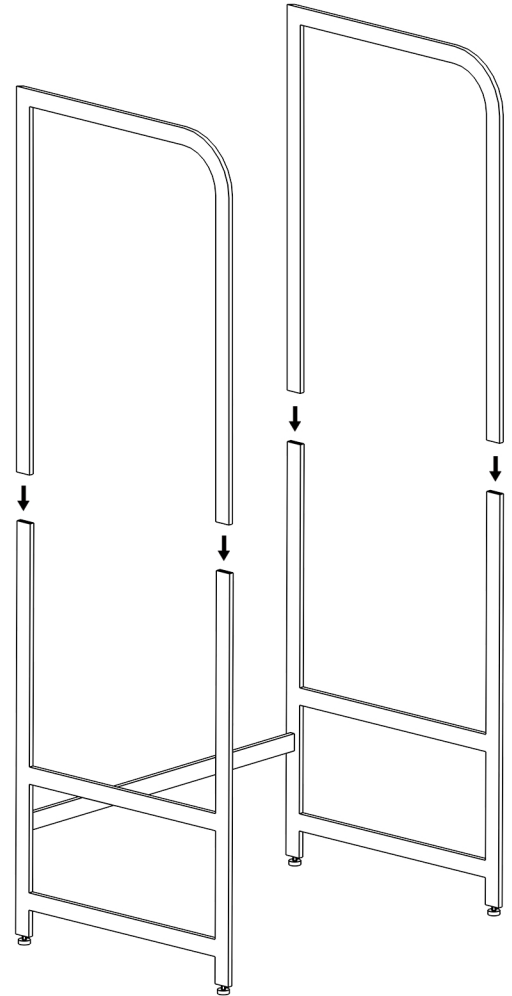


STEP 3

Required parts	
Middle Side Frame *2	Back Stretcher*1
A: (6*24) Screws*4	Nuts *4

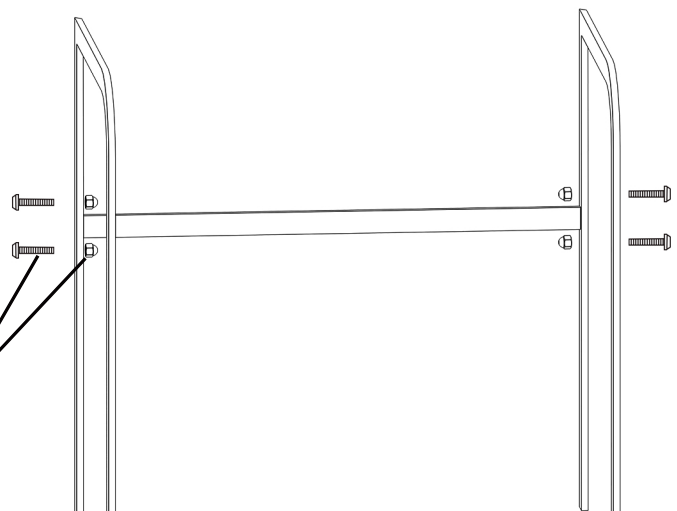
① Connect the Middle Side Frame to the Bottom Side Frame;

(Align the holes separately, where the holes have two heights to choose from).



② Install Back Stretcher to each Middle side Frame and use A:(6*24)screws and nuts;

A:(6*24)Screws and Nuts



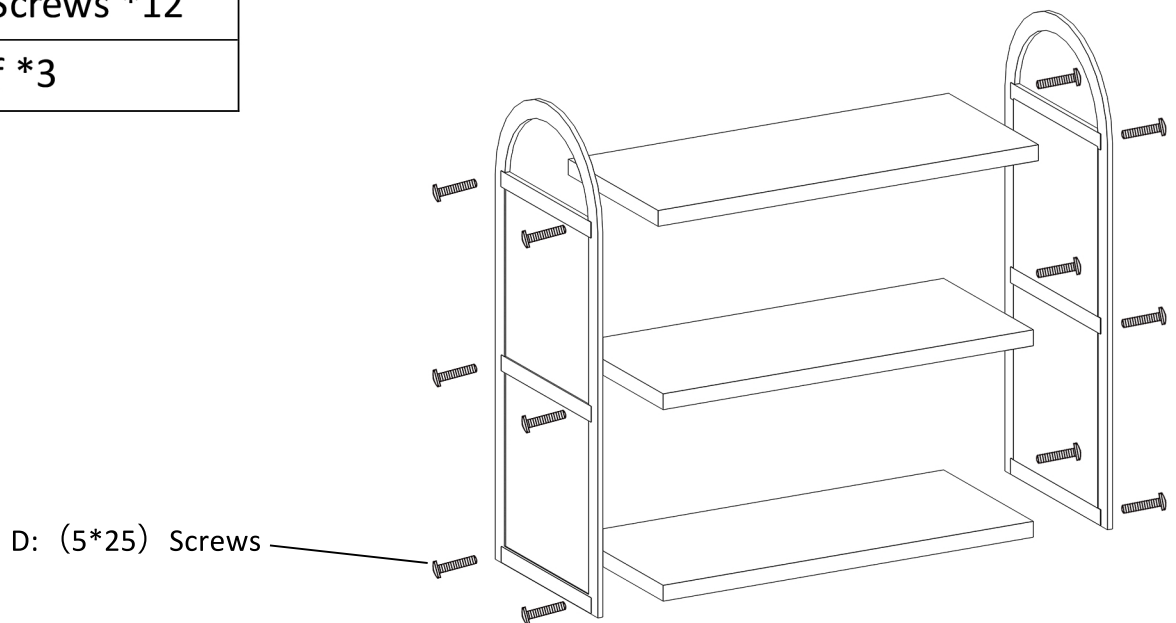
STEP 4

Required parts

Top Side Frame *2

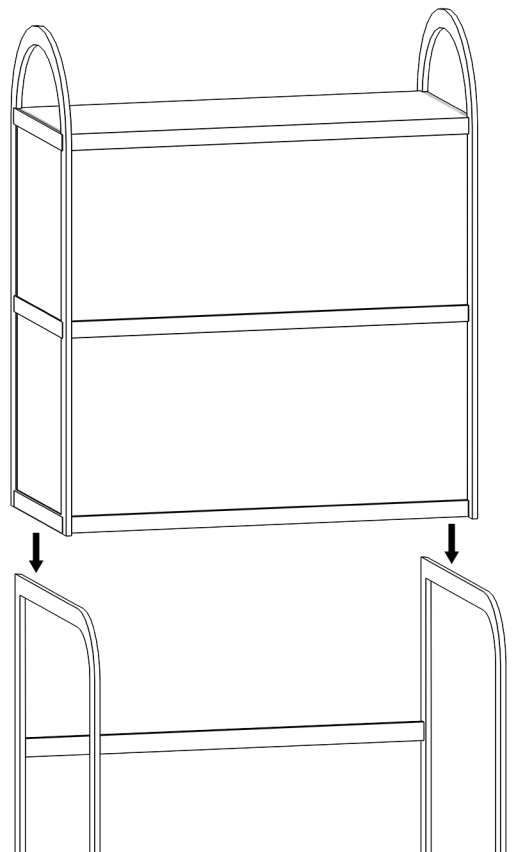
D: (5*25) Screws *12

Shelf *3



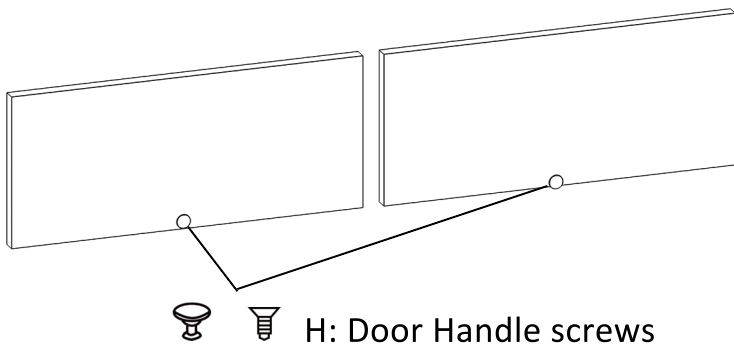
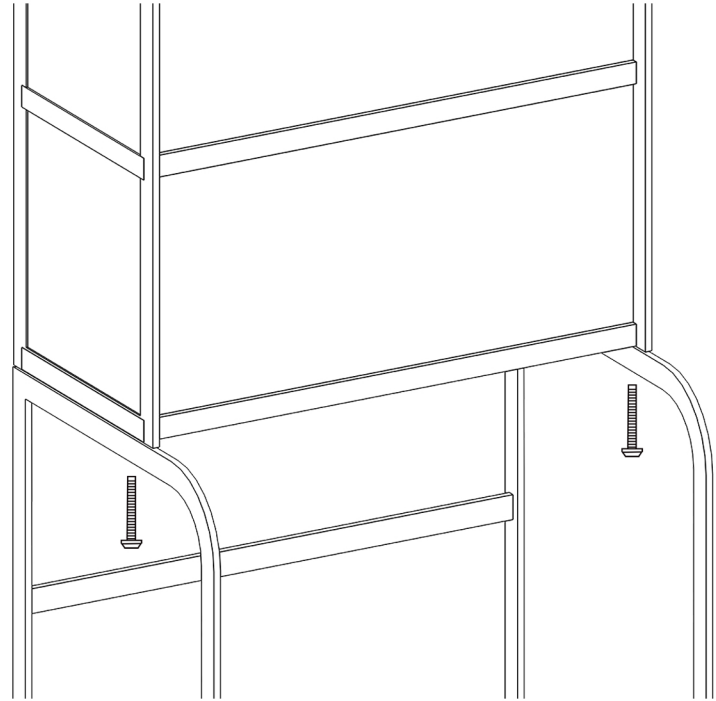
① Install 3 pieces of Shelf one by one on the Top Side Frame (The three shelves are positioned at the top/middle/bottom and can be assembled according to the drilling) and use D: (5*25) screws;

(Note :The screws near the door panel can be tightened without too much, to facilitate the installation of the door panel behind.)



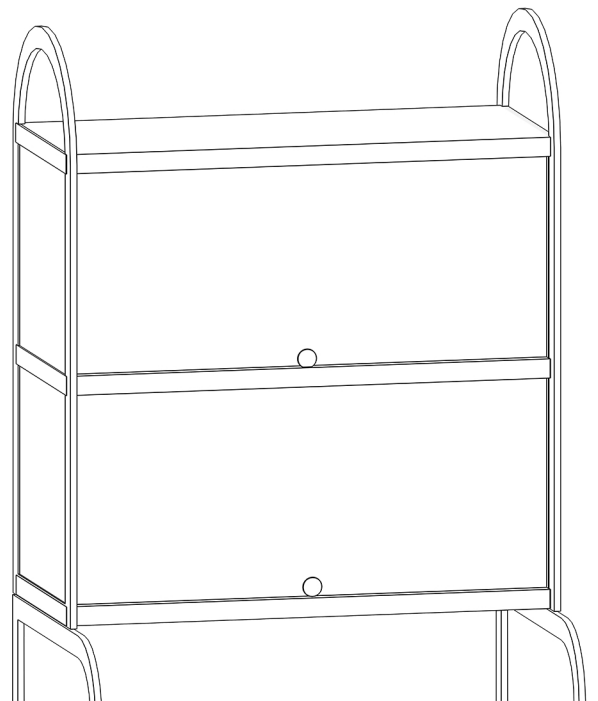
Required parts	
B: 6*35 screws*2	
Shelf Door Panel (一) *1	Shelf Door Panel (二) *1
G: Door Handle*2	H: Door Handle screws*2

② After the two parts are assembled together, the upper part and the lower need to be connected with B: 6*35 screws.



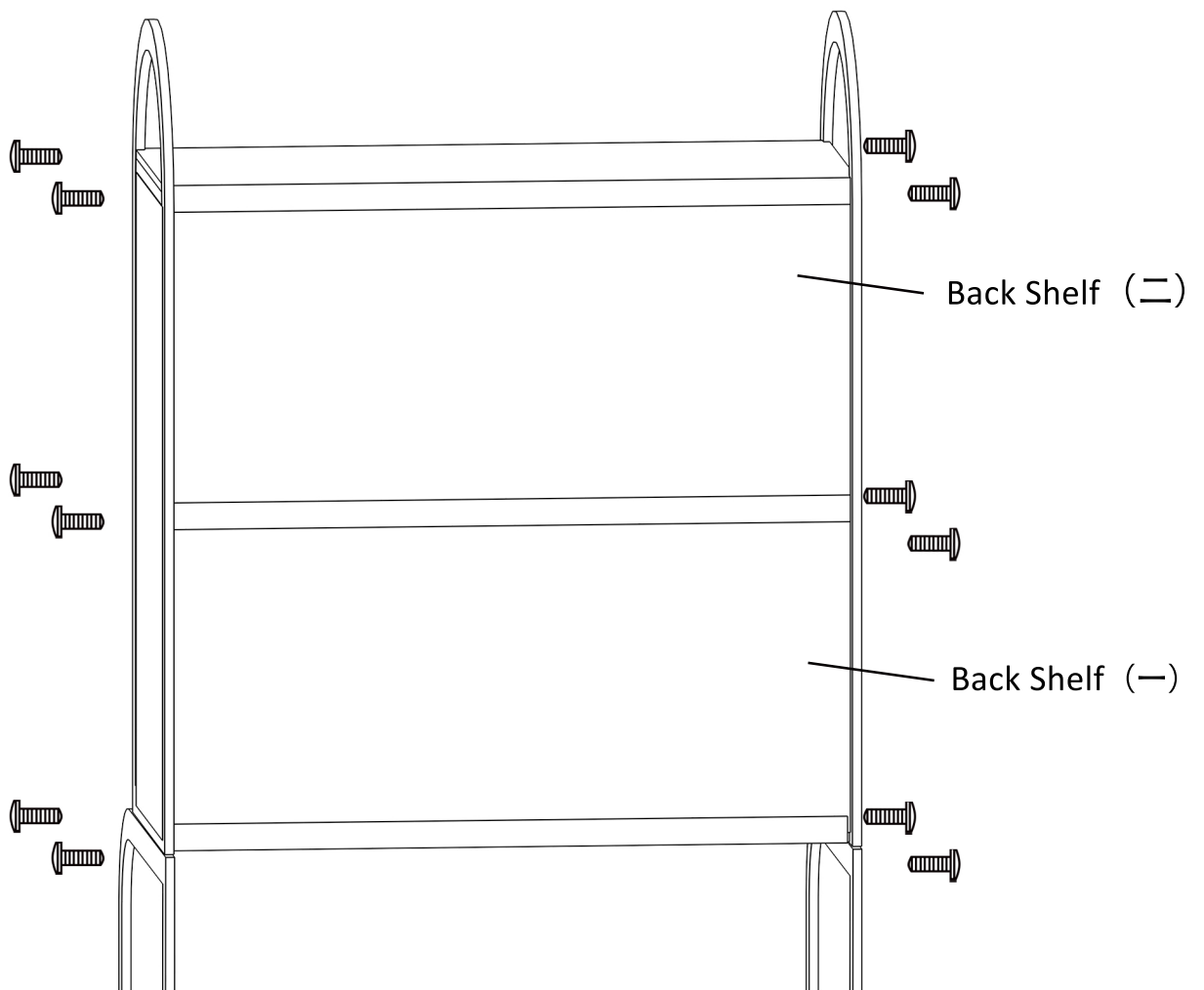
③ Install the door handle on the Shelf Door Panel and use the H: Door Handle screws.

④ Install the two Shelf Door Panel into the shelf.
 (Note: The Shelf Door Panel(一) is relatively bigger and is installed at the bottom.)



STEP 5

Required parts	
Back Shelf (一) *1	Back Shelf (二) *1
E: (4*8) Screws*8	



③ Install the Back Shelf and use the E: 4*8 screws.

(Note: The Back Shelf(一) is relatively bigger and is installed at the bottom.)

CARE INSTRUCTIONS

NEVER

Allow liquids to remain on furniture.
Absorption causes parts to warp
and split and finishes to delaminate.

NEVER

Use glass cleaners on
finished furniture. Ammonia
chemically attacks the finish.



Do not use power tools
above 8 volts to assemble.

**PREVENT
CRACKING**



Do not place
in direct sunlight.

**PREVENT
FADING**



Do not write
directly on surface.

**PREVENT
MARKING**



Do not place hot
objects on surface.

**PREVENT
FINISH DAMAGE**



Do not use rubber
based placemats.

**PREVENT
DISCOLORING**



Do not use commercial
waxes and polishes.

**PREVENT
YELLOWING**

CLEAN

With a soft cloth moistened
in lukewarm soap and water.
Buff with a dry clean cloth.

