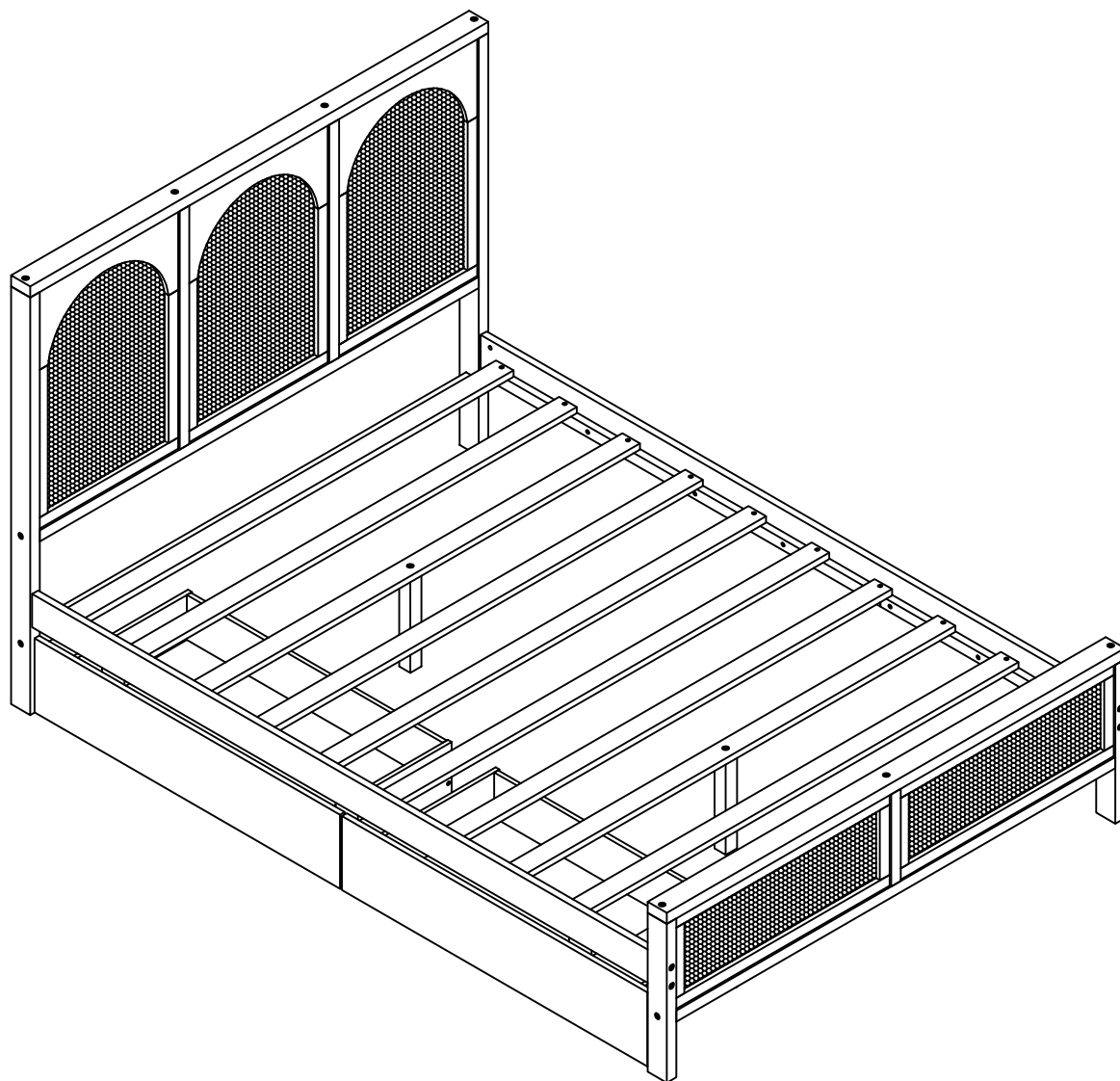
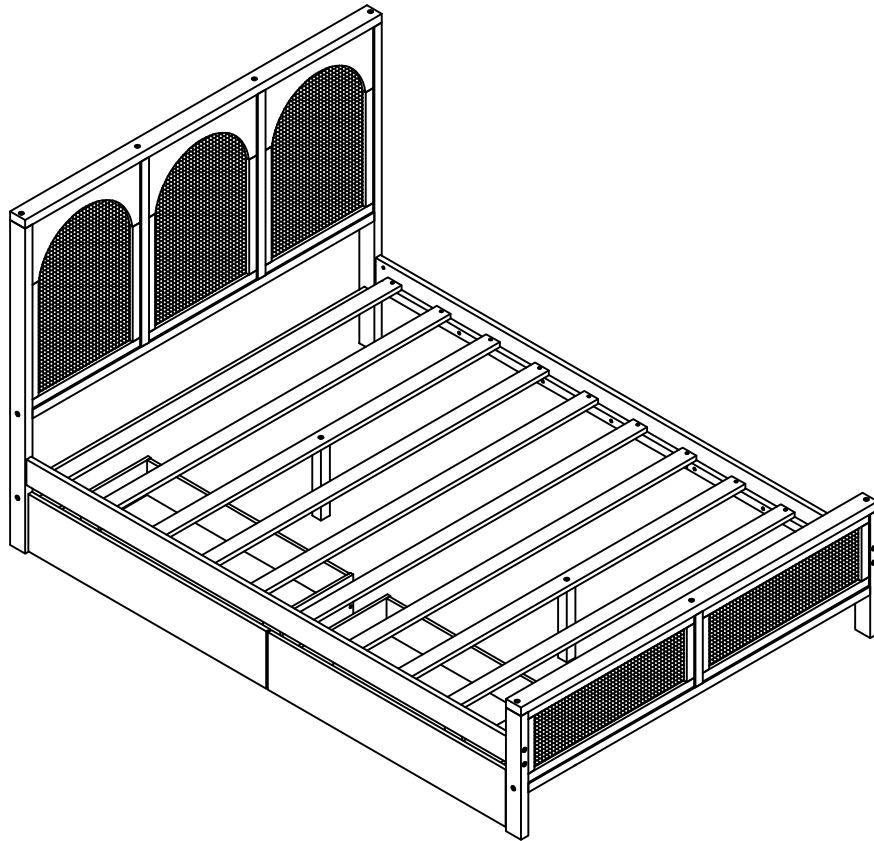


ASSEMBLY INSTRUCTION

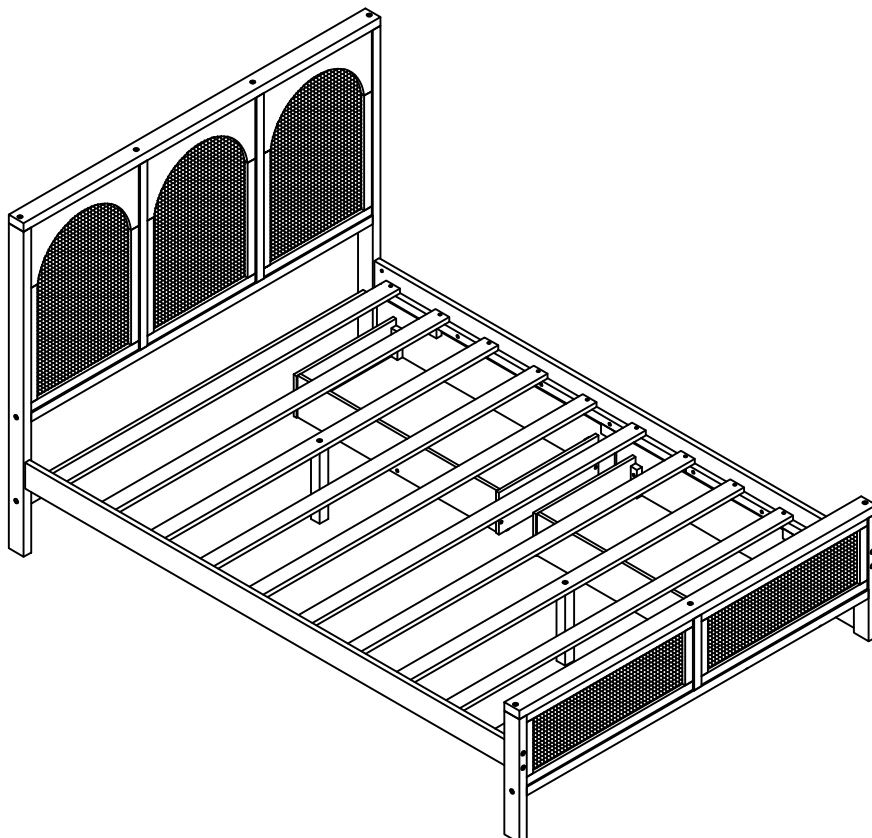
SKU CODE: WF315272-WF315273



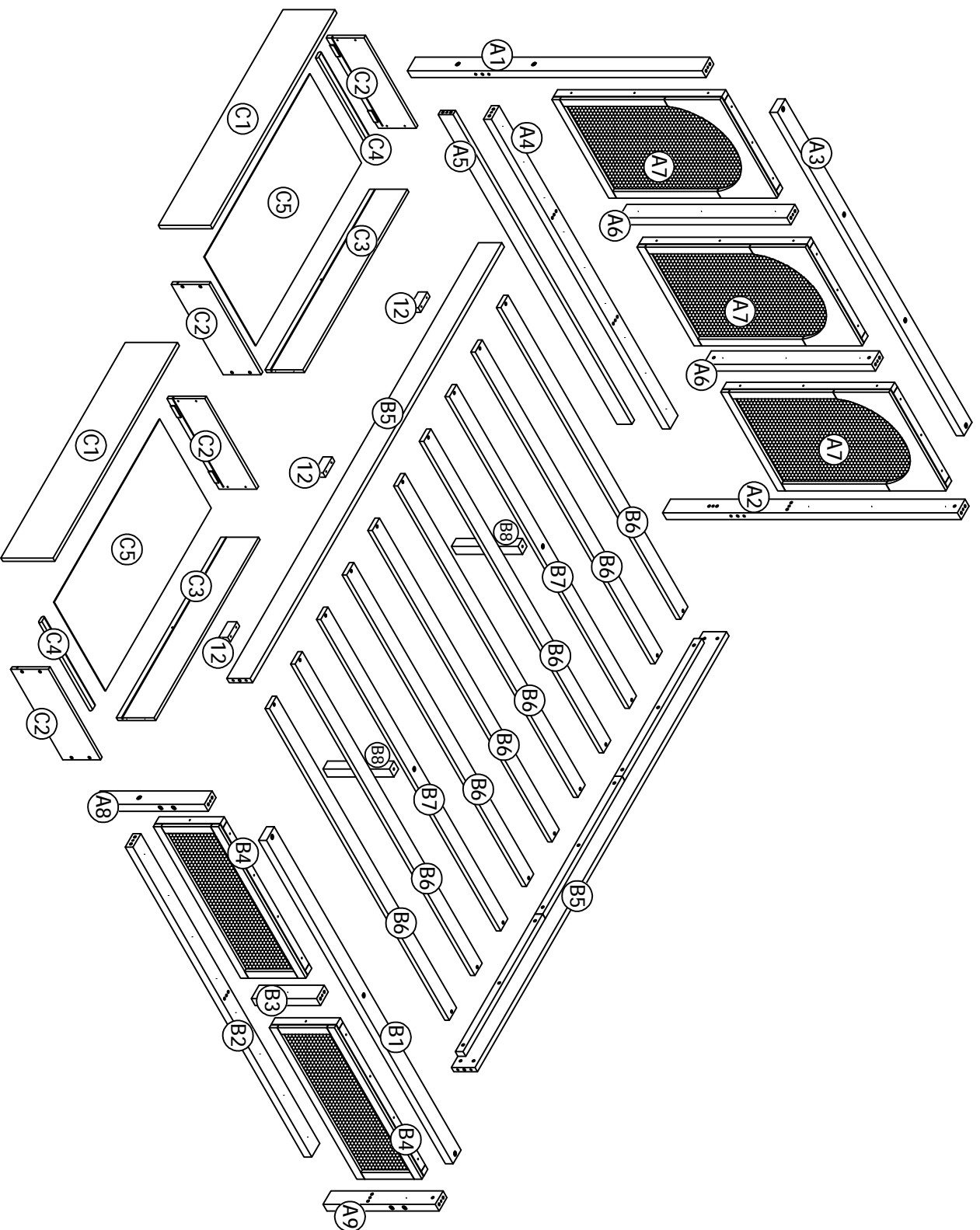
OPTION 1: DRAWER IN LEFT




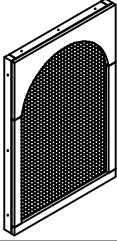
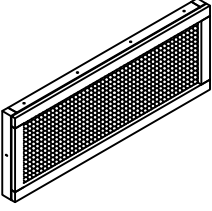
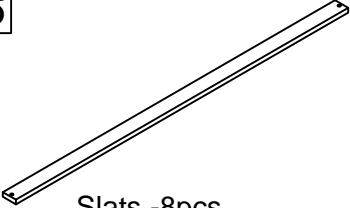
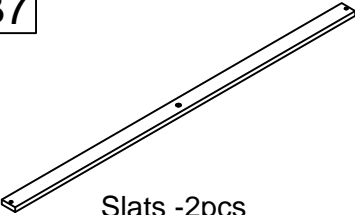
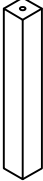
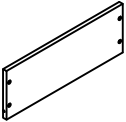
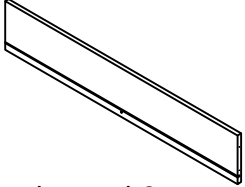
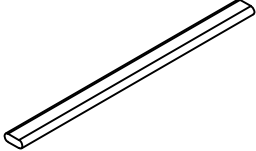
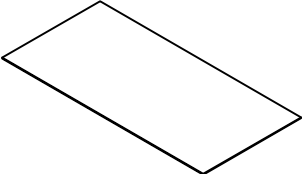
OPTION 2: DRAWER IN RIGHT





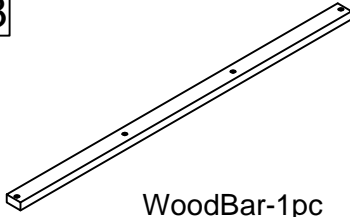
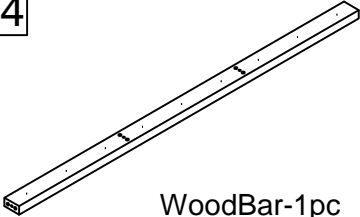

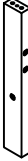

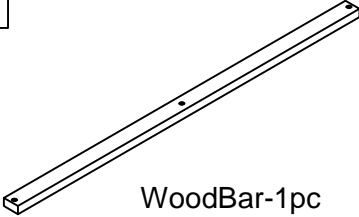
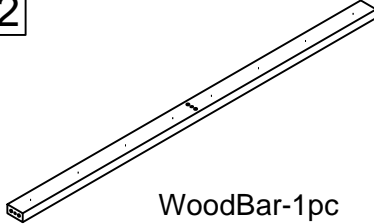

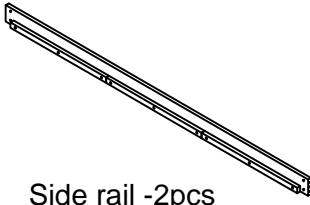
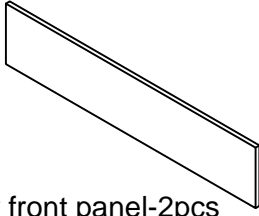
ASSEMBLY INSTRUCTION



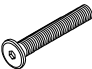
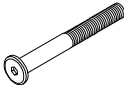
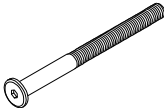
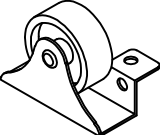
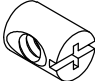
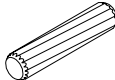





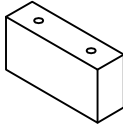
Part List (Box 1-WF315272)

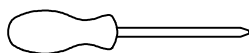
<p>A6</p>  <p>WoodBar-2pcs</p>	<p>A7</p> 	<p>B4</p> 
<p>B6</p>  <p>Slats -8pcs</p>	<p>B7</p>  <p>Slats -2pcs</p>	<p>B8</p>  <p>WoodBar-2pcs</p>
<p>C2</p>  <p>Drawer side panel-4pcs</p>	<p>C3</p>  <p>Drawer back panel-2pcs</p>	<p>C4</p>  <p>WoodBar-2pcs</p>
<p>C5</p>  <p>Drawer bottom panel-2pcs</p>		

Part List & Hardware List (Box 2 WF315273)

A1  Leg-1pc	A2  Leg-1pc	A3  WoodBar-1pc
A4  WoodBar-1pc	A5  WoodBar-1pc	A8  Leg-1pc
A9  Leg-1pc	B1  WoodBar-1pc	B2  WoodBar-1pc
B3  WoodBar-1pc	B5  Side rail -2pcs	C1  Drawer front panel-2pcs

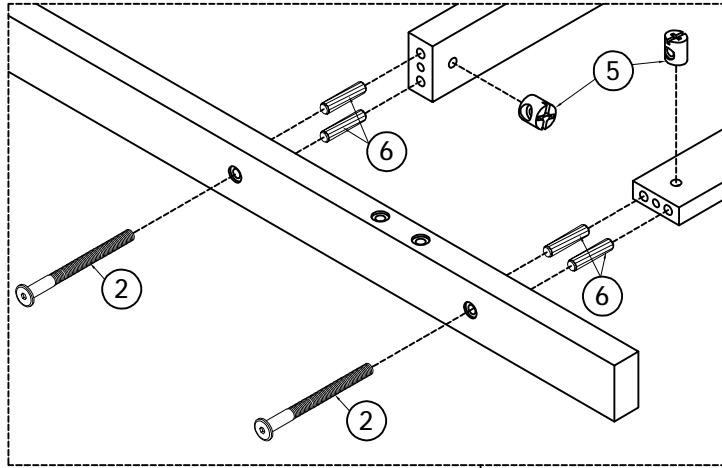
Hardware List (Box 2 WF315272)

<p>1</p>  <p>Ø1/4" x 30mm Hex-Head bolts 2pcs</p>	<p>2</p>  <p>Ø1/4" x 80 mm Hex-Head bolts 16pcs</p>	<p>3</p>  <p>Ø1/4" x 100 mm Hex-Head bolts 8pcs</p>
<p>4</p>  <p>Wheel 8pcs</p>	<p>5</p>  <p>Ø1/4" x 13 mm Horizontal-Hole bolts 24pcs</p>	<p>6</p>  <p>Ø10 x 40 mm Wood dowel 36pcs</p>
<p>7</p>  <p>M3.5 x 12mm Wood Screws 32pcs</p>	<p>8</p>  <p>M4 x 25mm Wood Screws 18pcs</p>	<p>9</p>  <p>M4 x 30mm Wood Screws 76pcs</p>
<p>10</p>  <p>M4 x 50mm Wood Screws 6pcs</p>	<p>11</p>  <p>Allen Key 1pc</p>	<p>12</p>  <p>Stop Wood 3pcs</p>

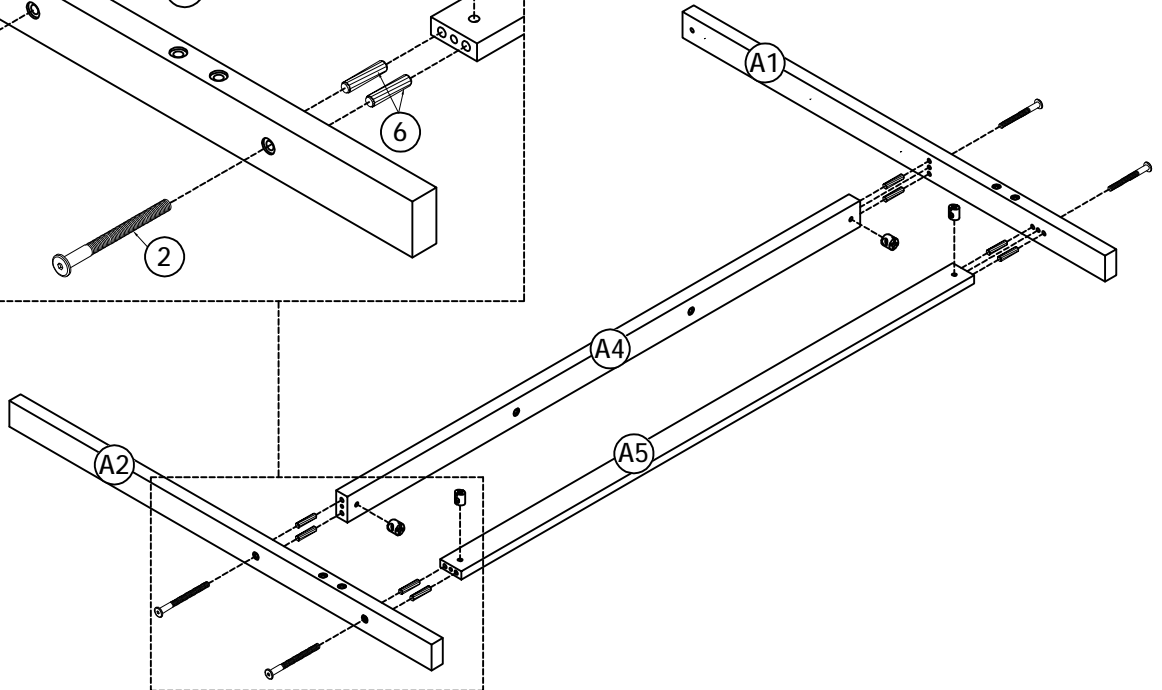


**Assembly Tools Required
(Not Included)**

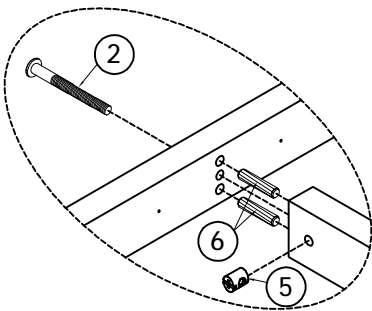
STEP1: Following below illustration.



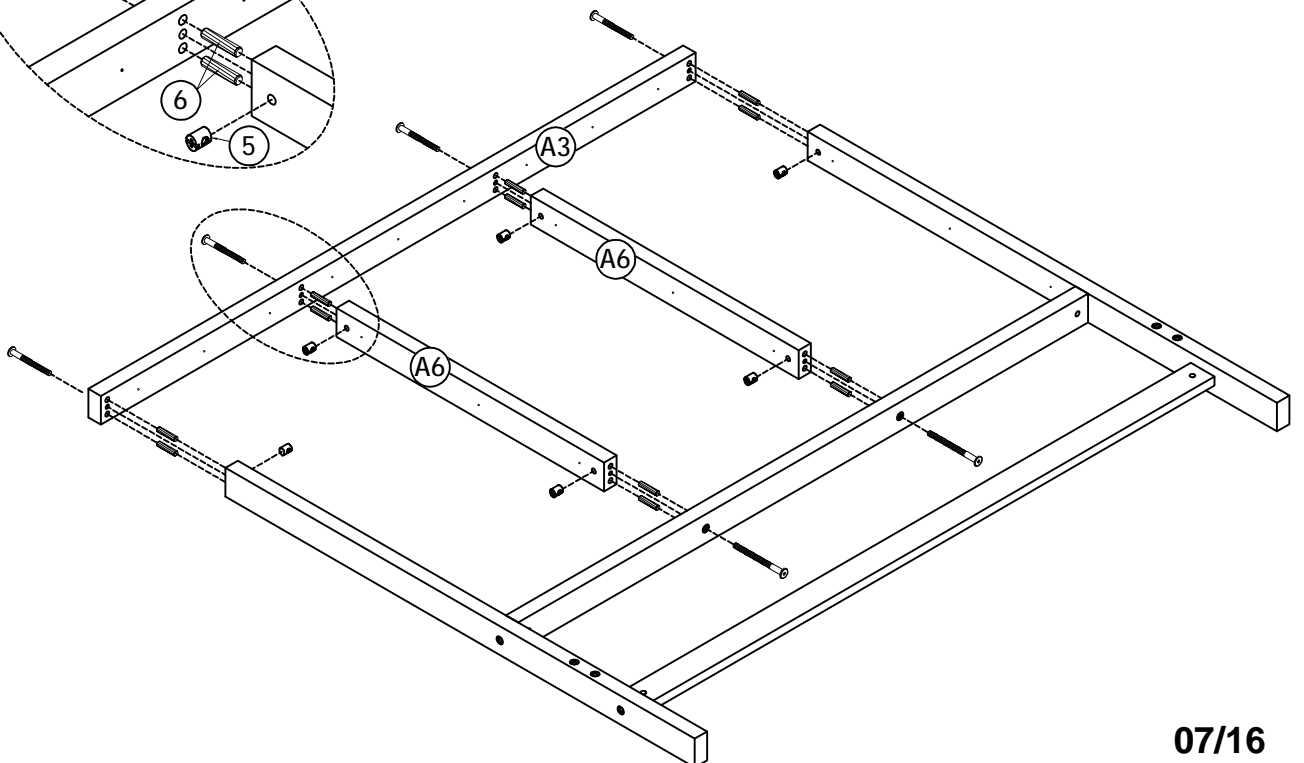
6	2	5
8(pcs)	4(pcs)	4(pcs)



STEP2: Following below illustration.

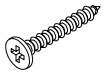


6	2	5
12(pcs)	6(pcs)	6(pcs)

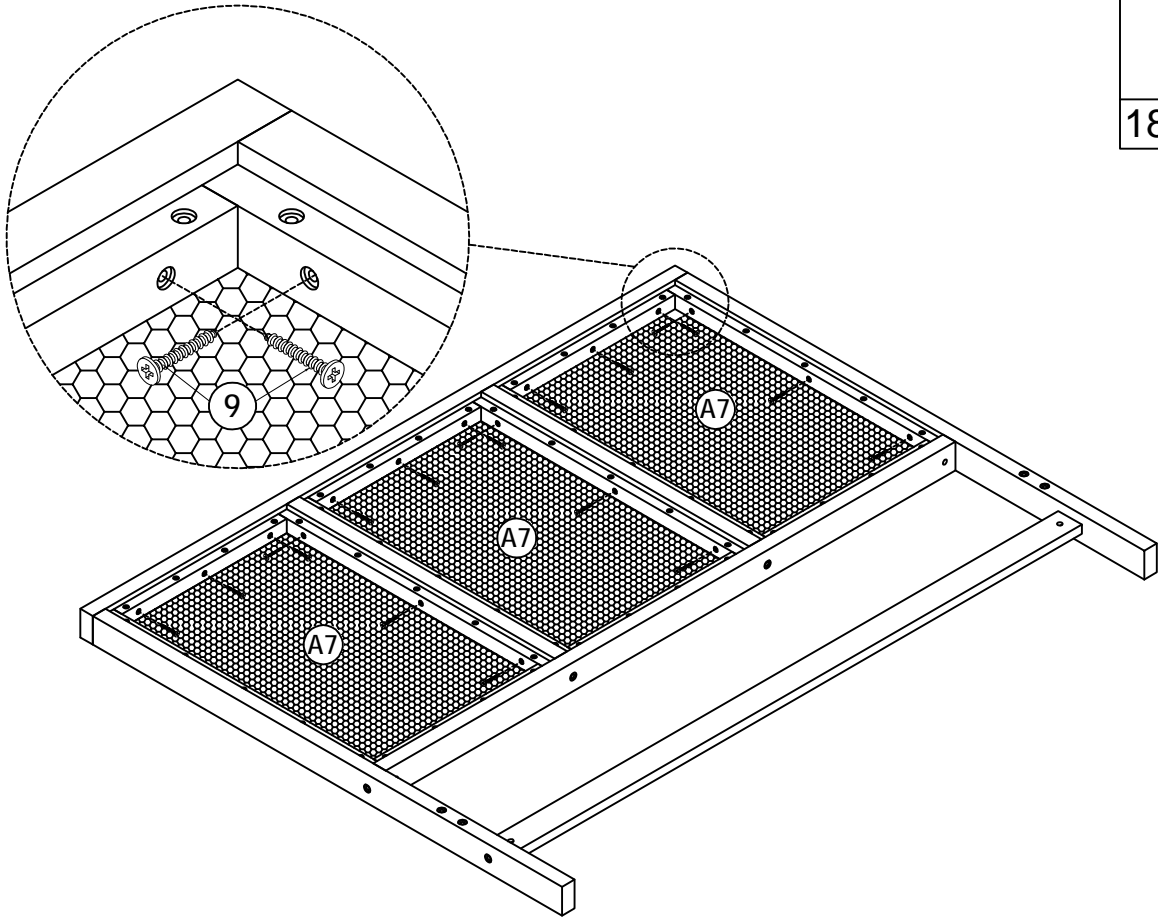


STEP3: Following below illustration.

9

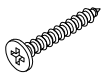


18(pcs)

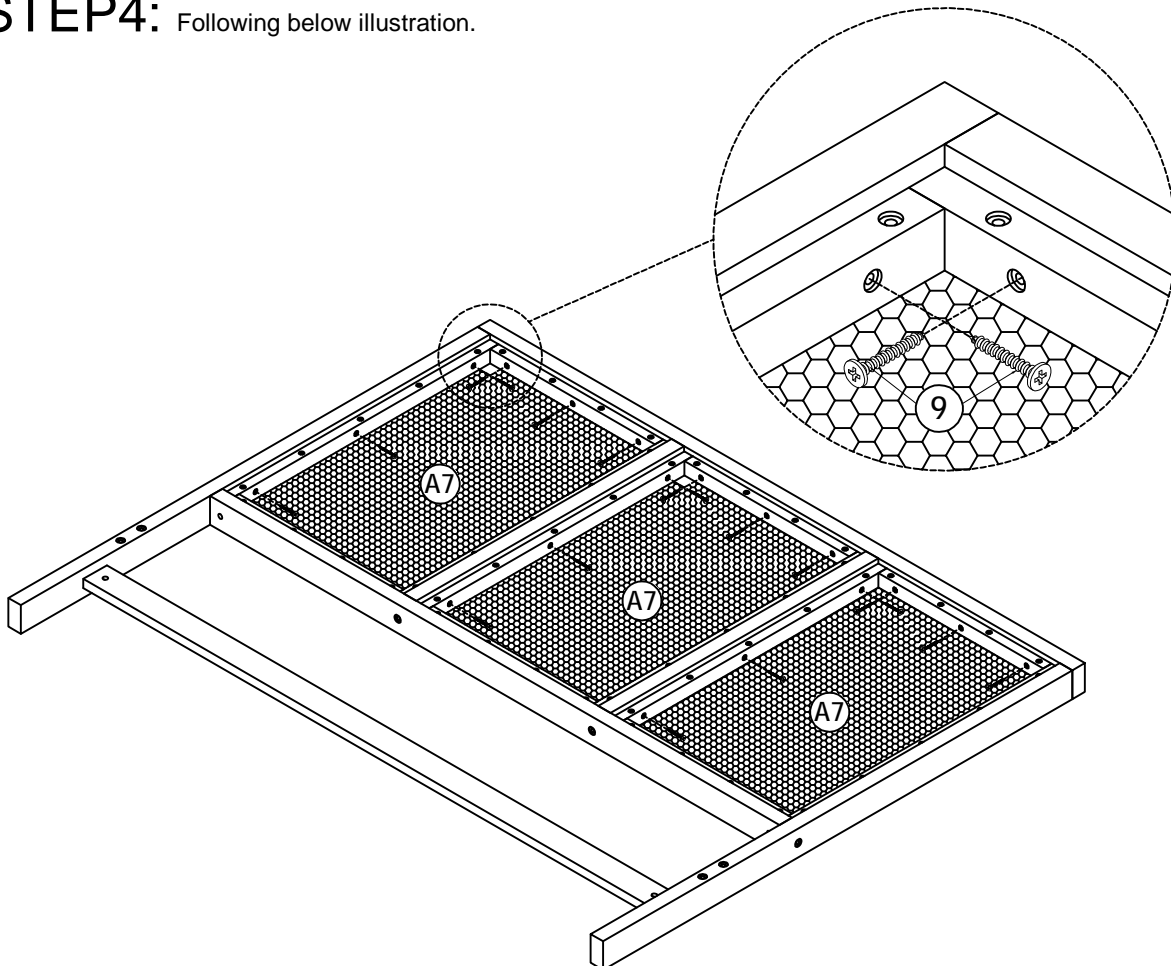


STEP4: Following below illustration.

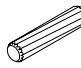


9

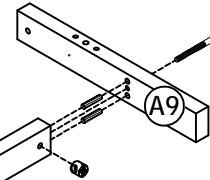
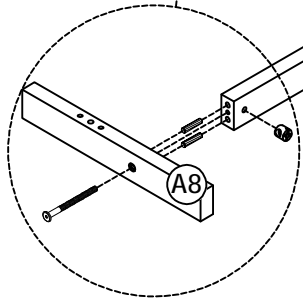
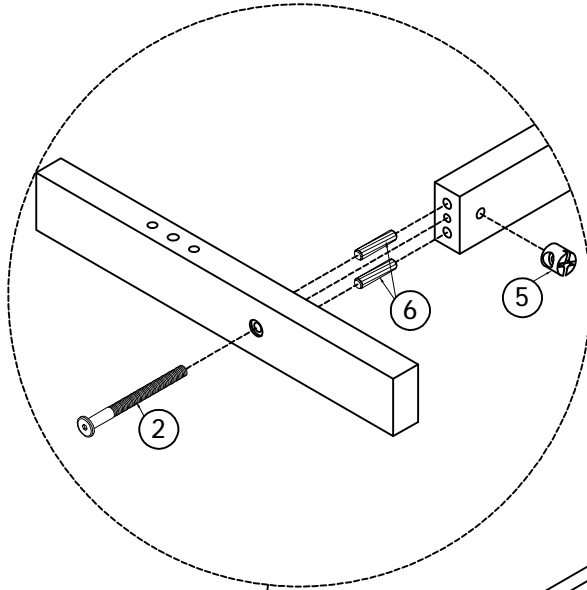


18(pcs)

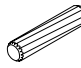




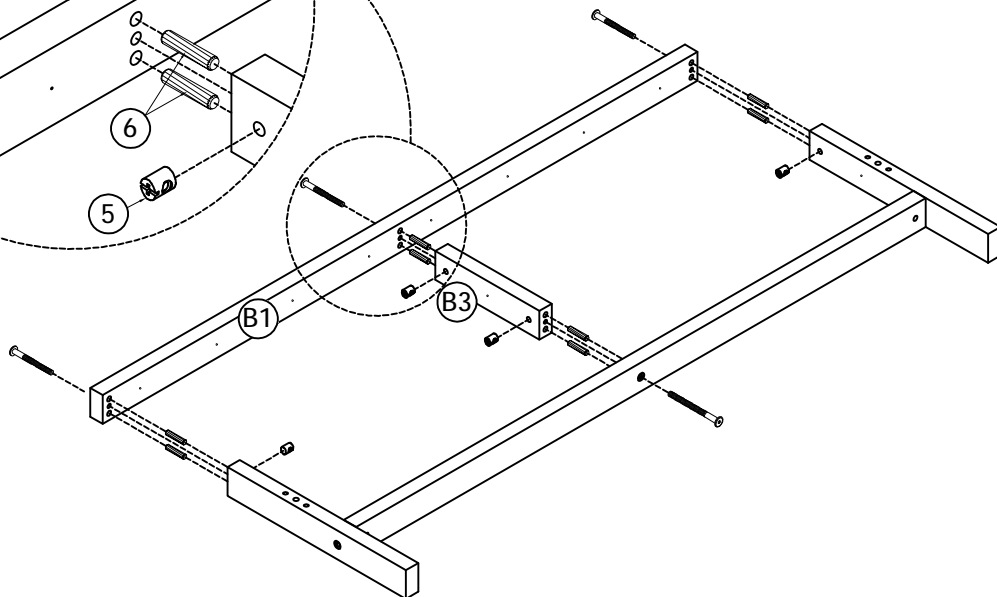
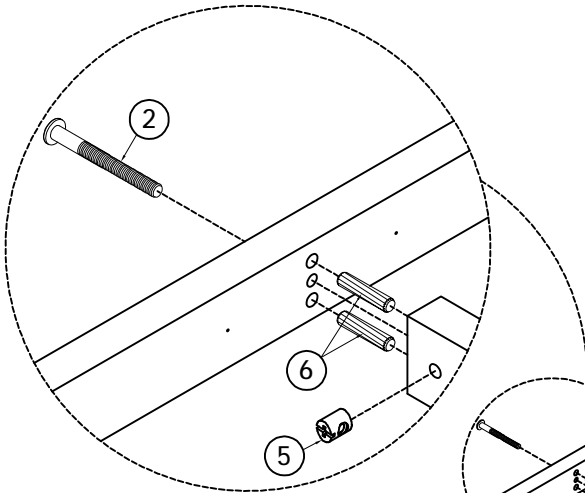
STEP5: Following below illustration.

6	2	5
		
4(pcs)	2(pcs)	2(pcs)



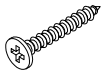
STEP6: Following below illustration.

6	2	5
		
8(pcs)	4(pcs)	4(pcs)

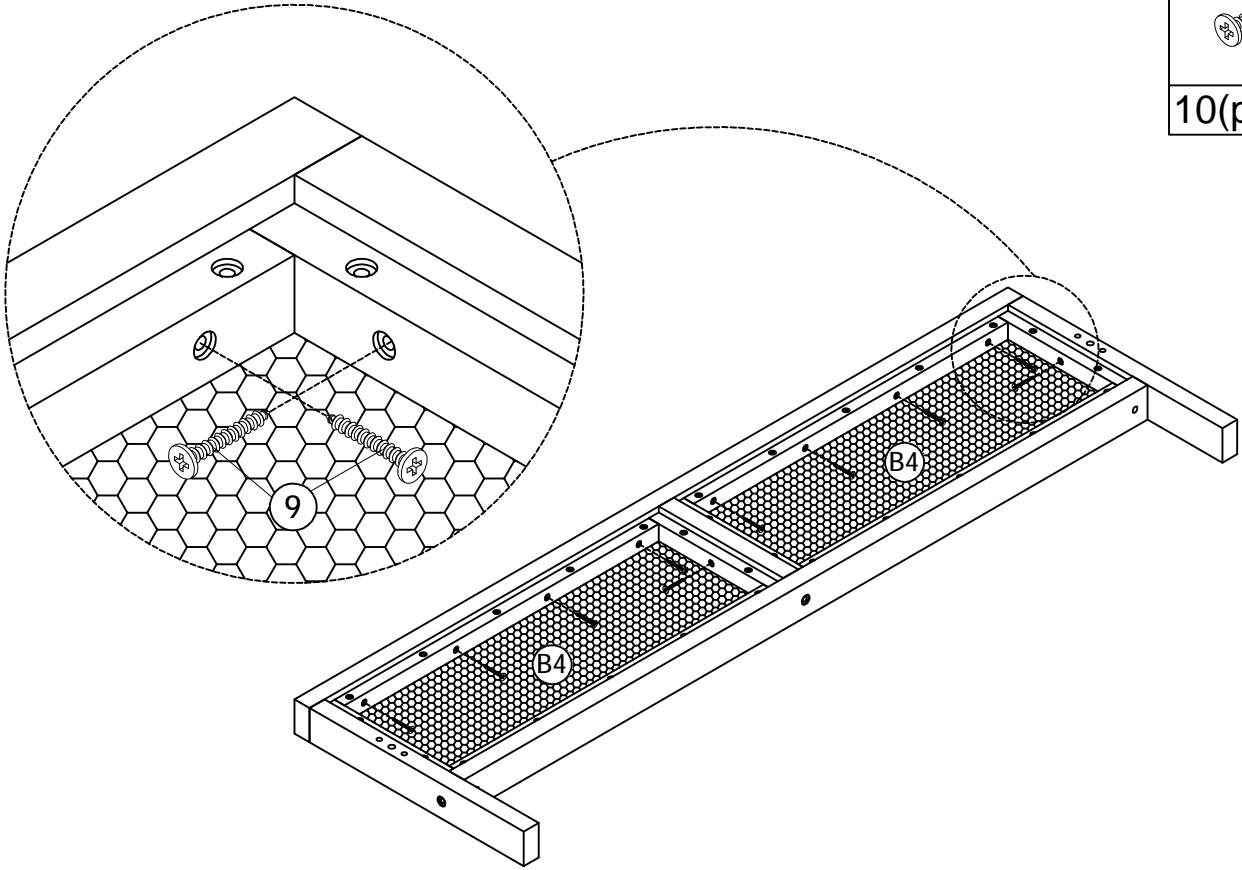


STEP7: Following below illustration.

9

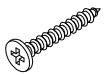


10(pcs)

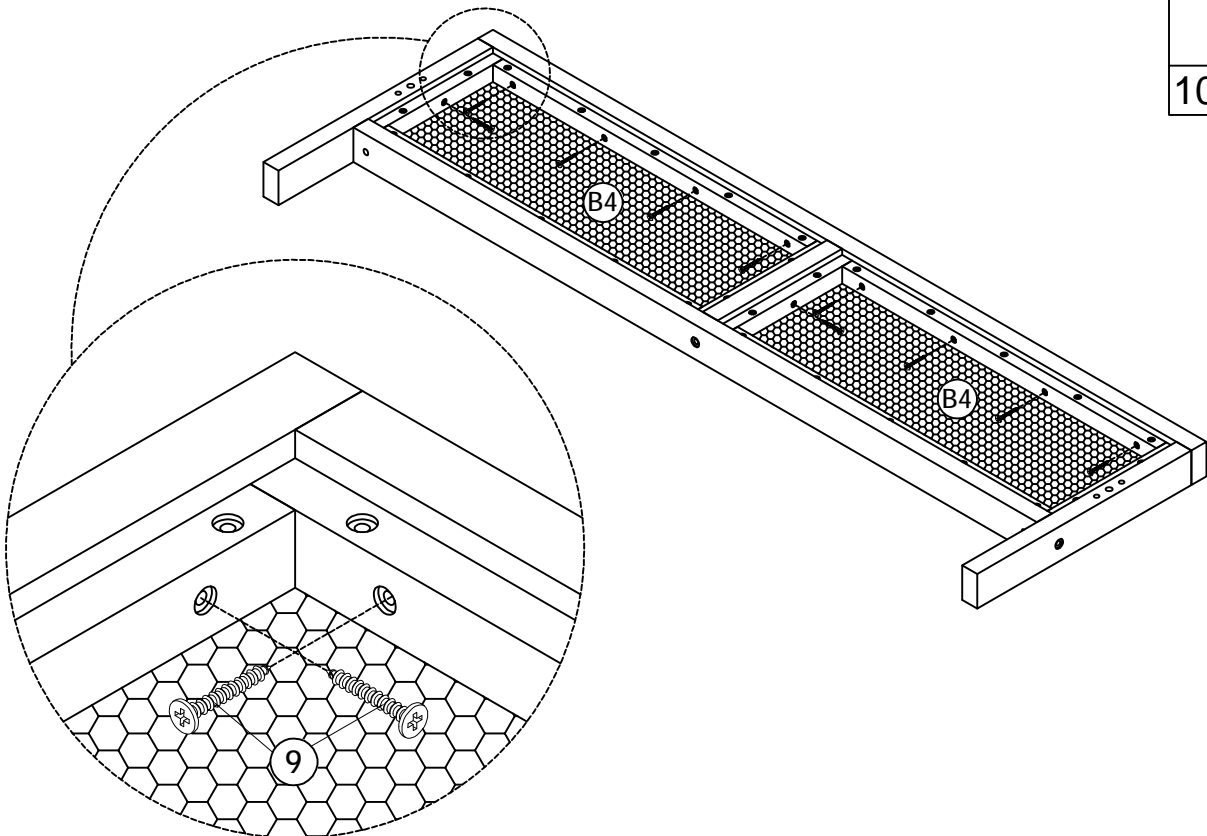


STEP8: Following below illustration.

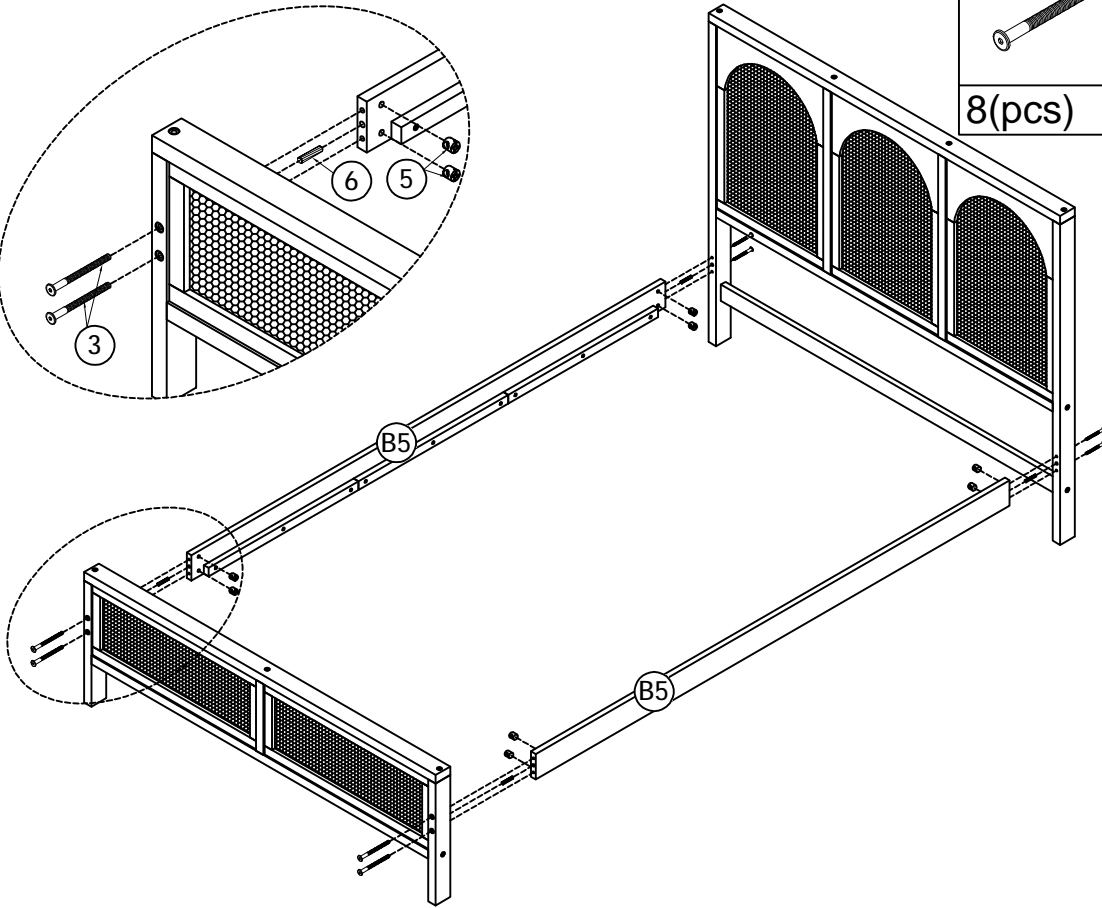
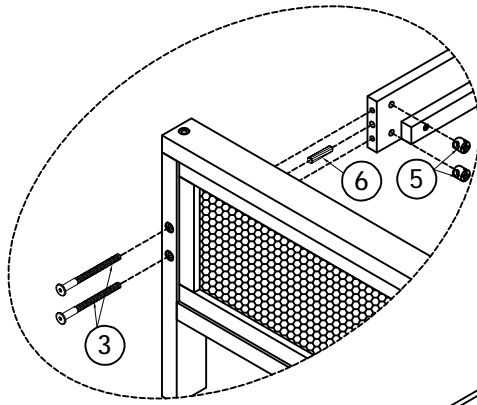
9



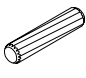


10(pcs)

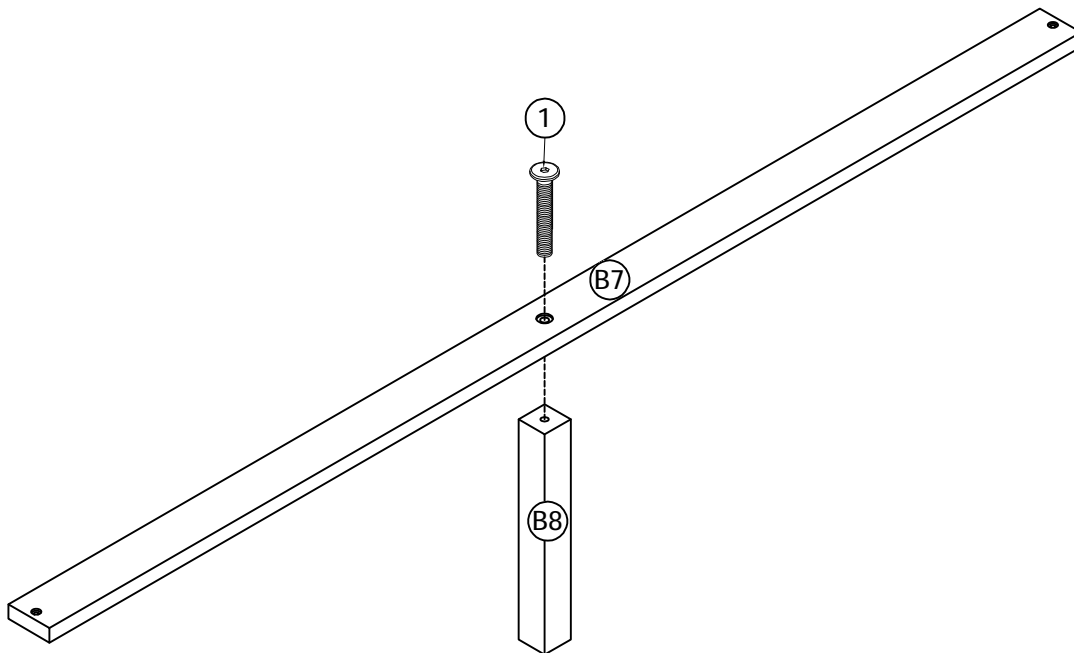



STEP9: Following below illustration.



3		5	
8(pcs)		8(pcs)	
		6	
		4(pcs)	

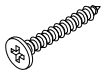
STEP10 x 2: Following below illustration.



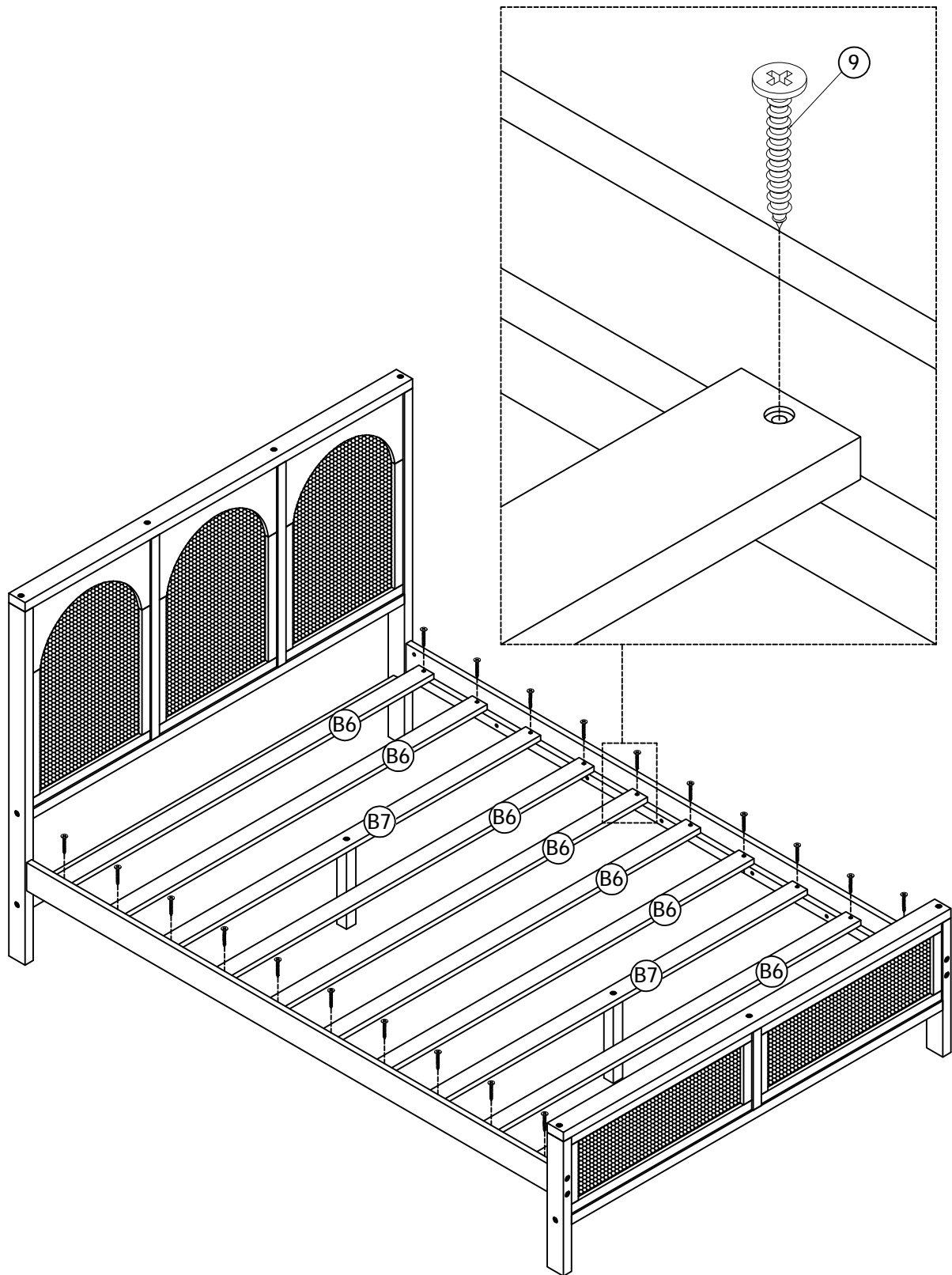
1	
2(pcs)	

STEP 11: Following below illustration.

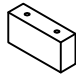

9

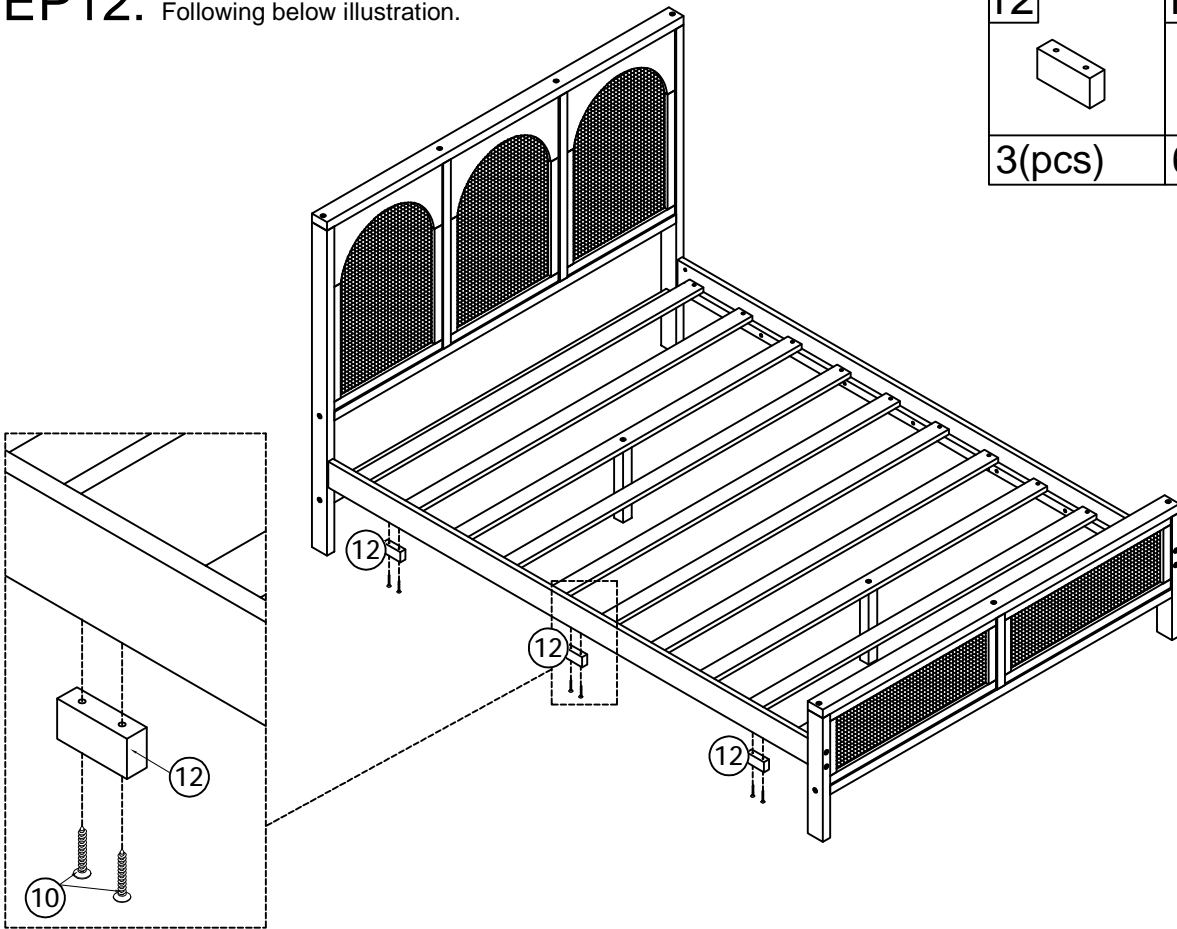


20(pcs)

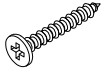


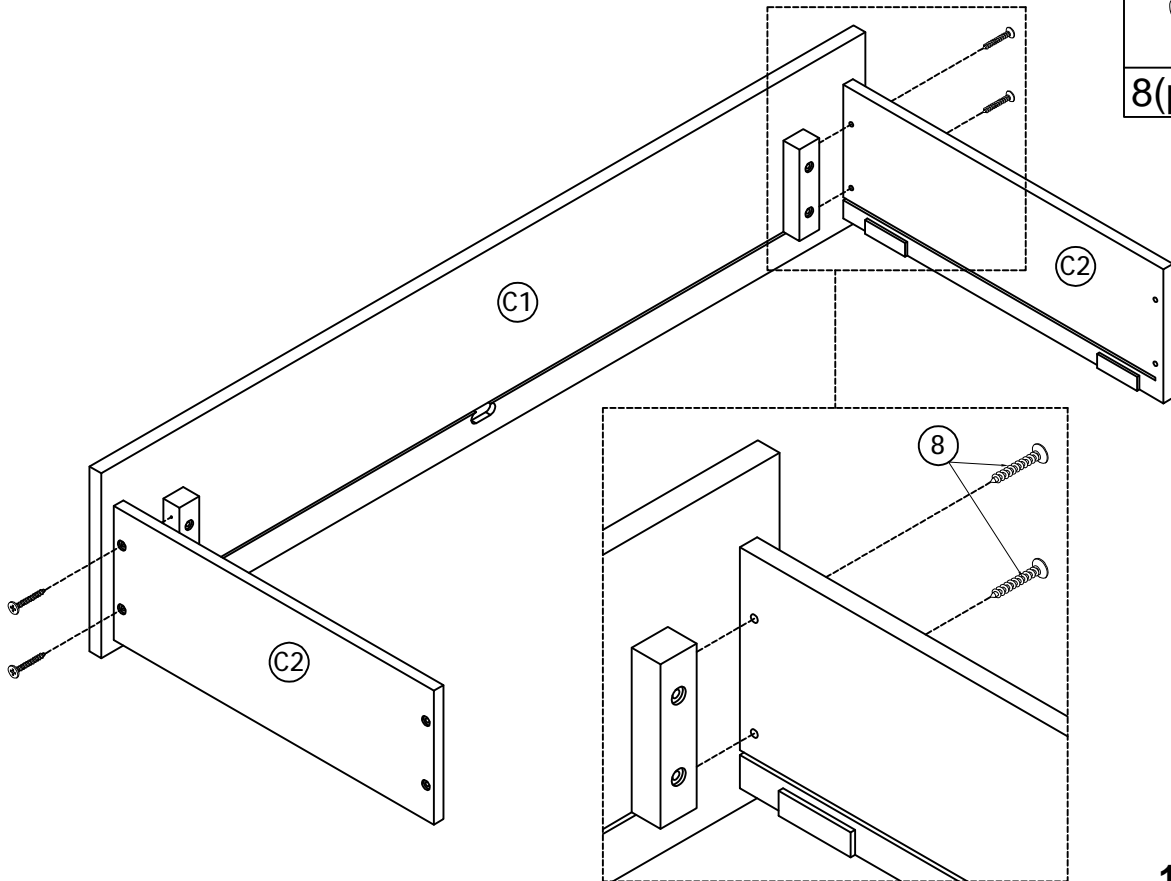
STEP12: Following below illustration.

12	10
	
3(pcs)	6(pcs)

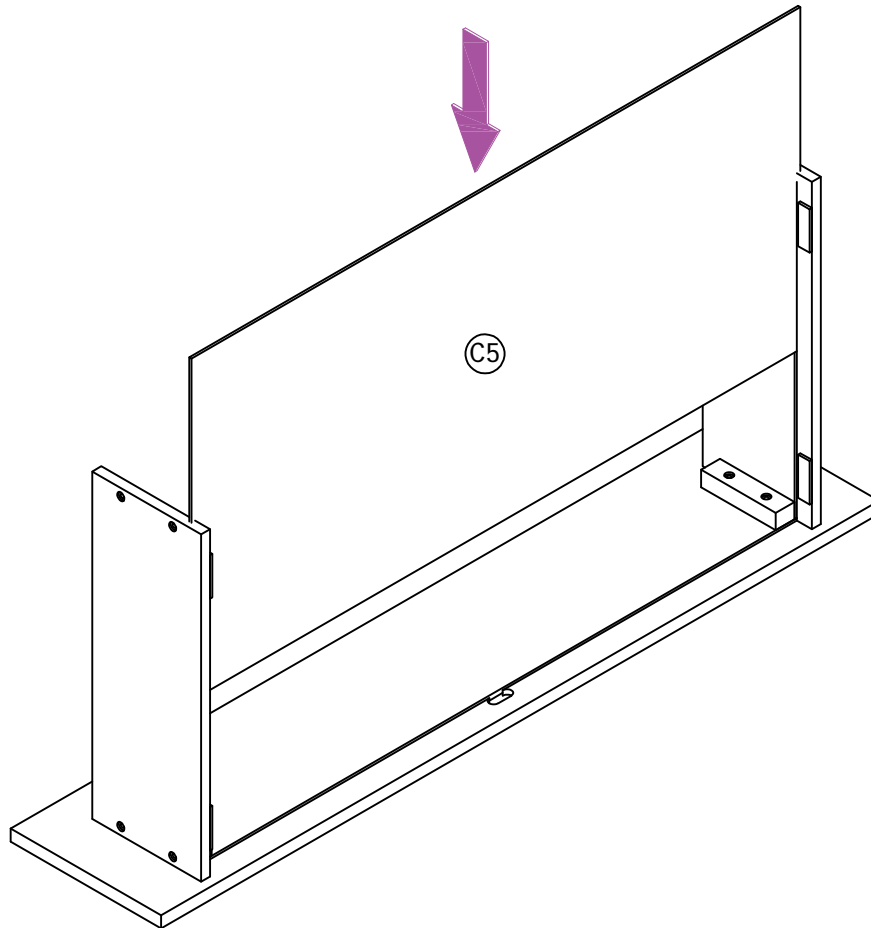


STEP13 x 2: Following below illustration.

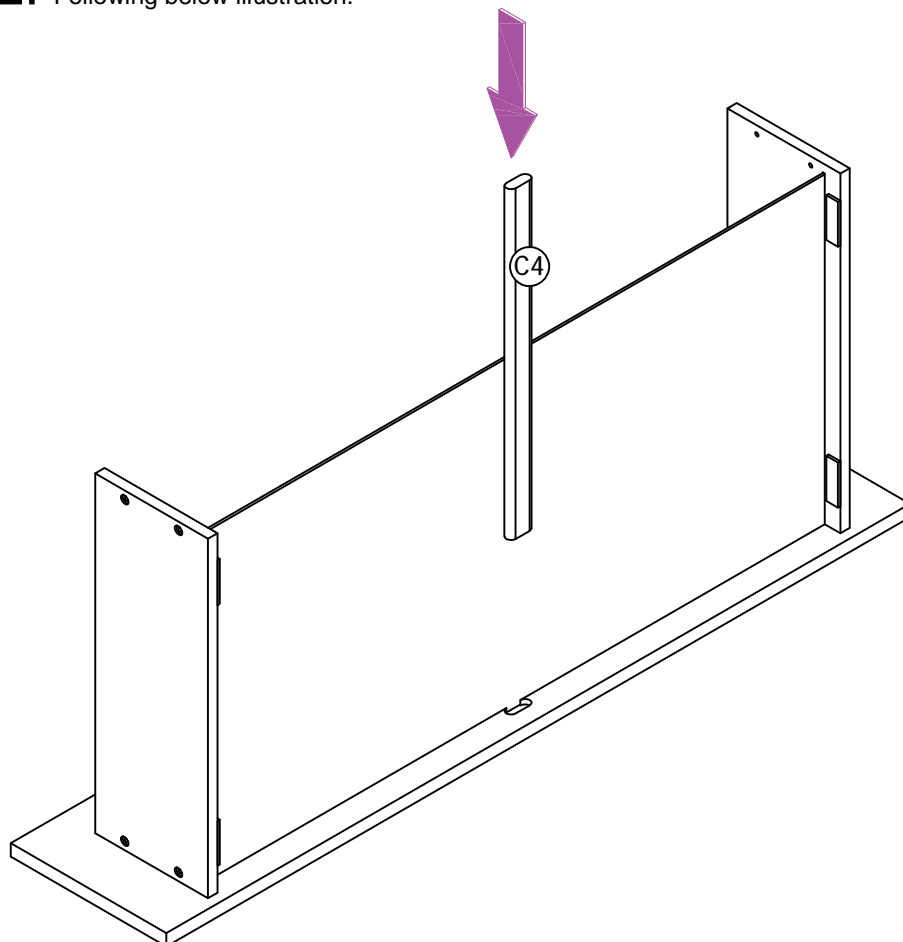
8

8(pcs)



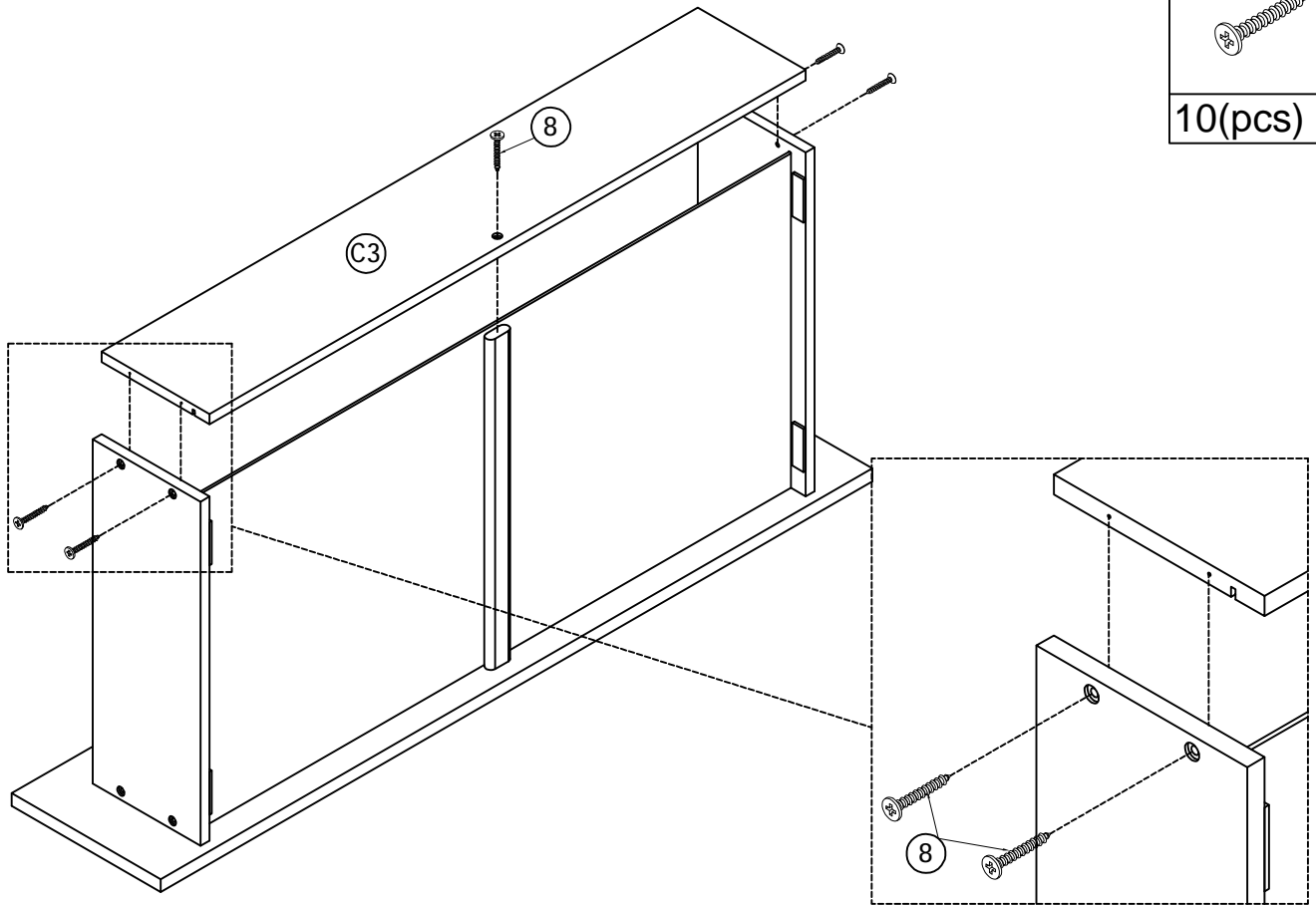
STEP14 x 2: Following below illustration.



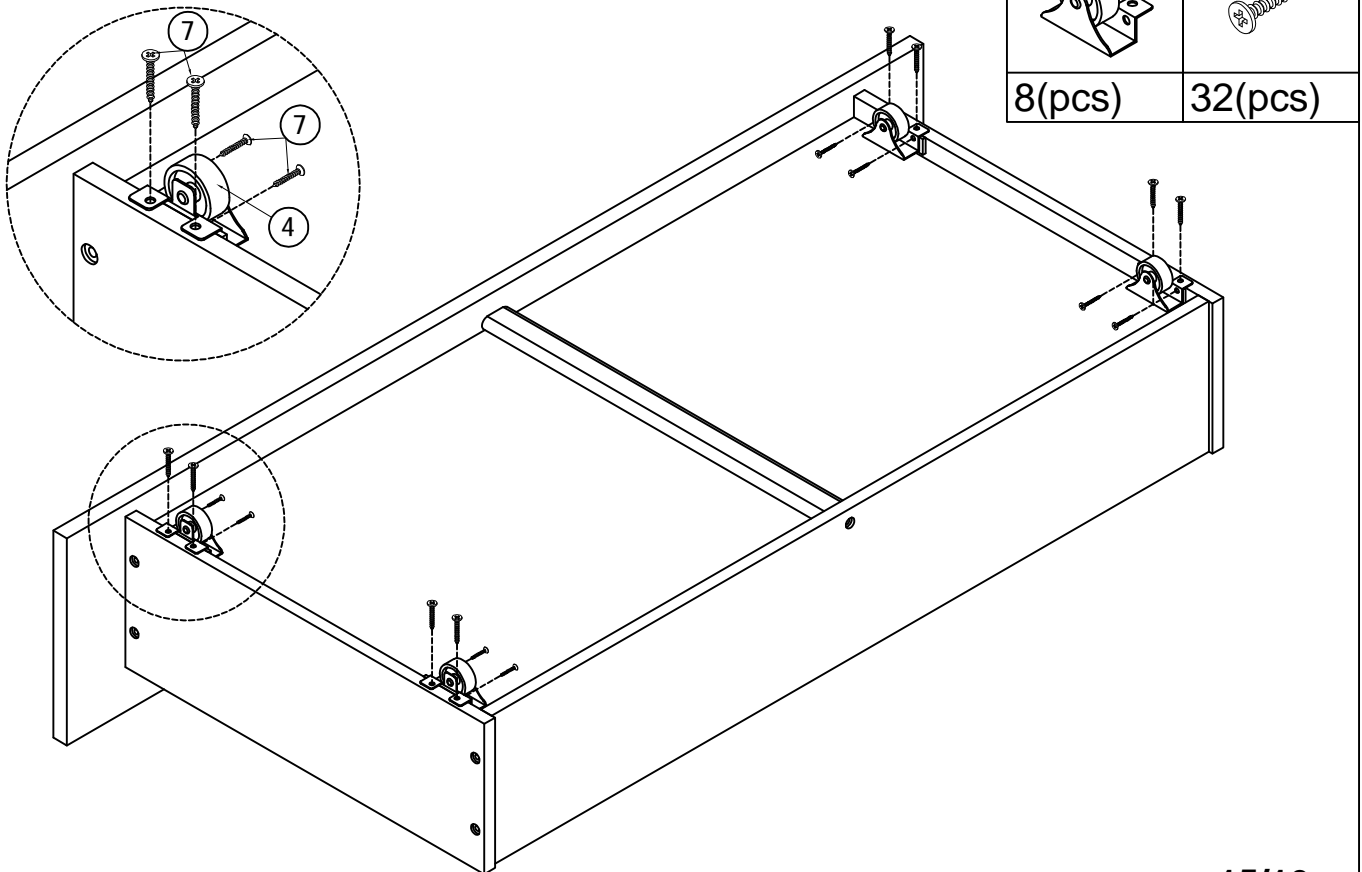
STEP15 x 2: Following below illustration.



STEP16 x 2: Following below illustration.



STEP17 x 2: Following below illustration.



STEP18: Following below illustration.

