

Installation Manual

CAUTION

**READ INSTRUCTIONS CAREFULLY FOR
SAFE INSTALLATION AND FAN OPERATION**

SAFETY RULES

1. To reduce the risk of electric shock, turn off the electricity to the fan at the main fuse box or circuit panel before beginning.
2. All wiring must be in accordance with the local electrical codes or National Electrical Code. Electrical installation should be performed by a qualified licensed electrician.
3. To avoid personal injury, the use of gloves may be necessary while handling fan parts with sharp edges.
4. Make sure the installation site you choose allows clear space for the blades to rotate and at least 7 feet (2.13 meters) of clearance between the floor and the fan blade tips.
5. **WARNING:** To reduce the risk of fire, electric shock, or personal injury, mount fan only to an outlet box marked acceptable for fan support and use mounting screws provided with the outlet box. Most outlet boxes commonly used for the support of lighting fixtures are not acceptable for fan support and may need to be replaced. Consult a qualified electrician if in doubt.
6. The outlet box and ceiling support structure must be securely mounted and capable of supporting at least 50 lbs.
7. To avoid personal injury or damage to the fan and other items, be cautious when working around or cleaning the fan.
8. Do not use water or detergents when cleaning the fan or fan blades. A dry dust cloth or lightly dampened cloth will be suitable for most cleaning.
9. After making electrical connections, spliced conductors should be turned upward and pushed carefully up into the outlet box. The wires should be spread apart with the grounded conductor and the equipment-grounding conductor on one side of the outlet box.
10. Electrical diagrams are for reference only.
11. The fan is more suitable for indoor use.

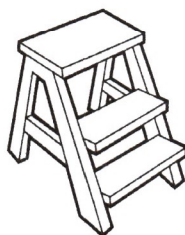
TOOLS REQUIRED



Phillips
screwdriver



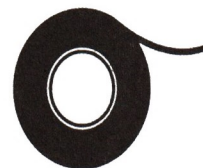
Flat blade
screwdriver



Step
ladder



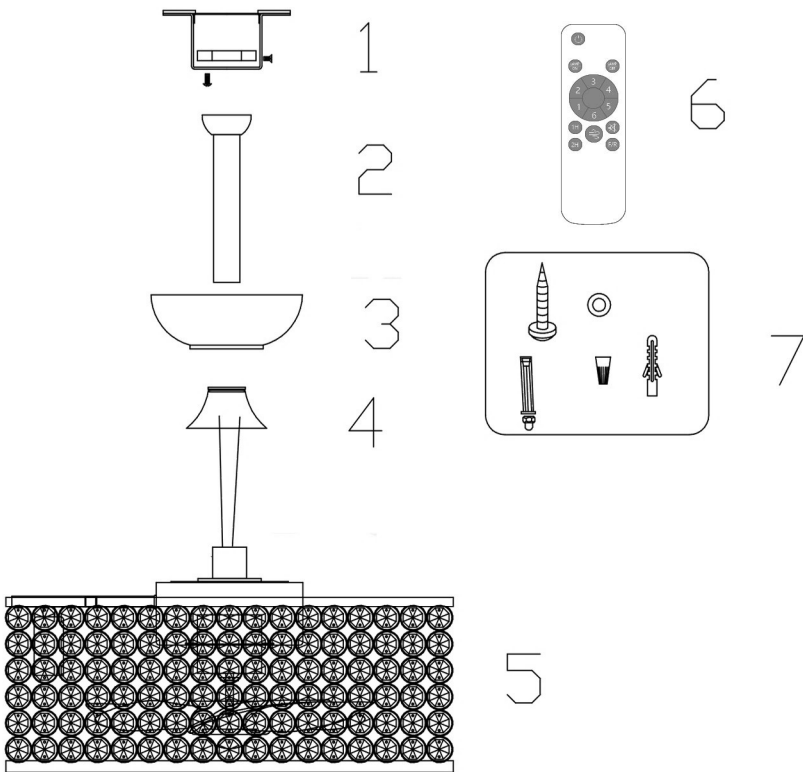
Wire
stripper



Electrical
tape

PARTS

Unpack your fan and check the contents. You should have the followings:



1. Mounting Bracket X 1
2. 5 or 12 inches, two sizes, choose according to your ceiling height
3. Canopy X 1
4. Coupling Cover X 1
5. Lamp Shade X 1
6. Remote Controller X 1
7. Accessory kit

MOUNTING OPTIONS

If there isn't an existing UL(cUL for Canadian Installation) listed mounting box, please read the following instructions. **Disconnect the power by removing fuses or turning off circuit breakers.**

Ensure the hanging location allows the blade a clearance of 7 feet (2.13 meters) from the floor.

Secure the outlet box directly to the building structure. Use appropriate fasteners and building materials. The outlet box and its support must be able to fully support the moving weight of the fan (at least 50 lbs). Do not use plastic outlet boxes.

Figures 1,2 and 3 are examples of different ways to mount the outlet box.

NOTE: If you are installing the ceiling fan on a sloped (vaulted) ceiling, you may need a longer downrod to maintain proper clearance between the tip of the blade and the ceiling. Minimum clearance of 12" is suggested for optimal operation.

NOTE: Depending on the location you have selected for installation, you may need to purchase and install a "Joist Hanger" for the support of the outlet box. Make sure the joist hanger you purchase has been designed for use with ceiling fans. (Fig.4)

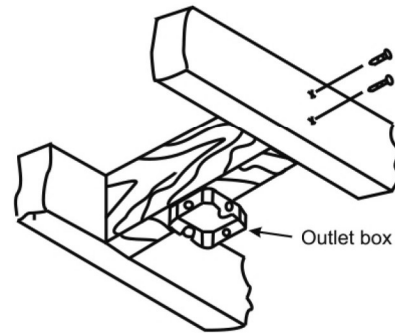


Fig. 1

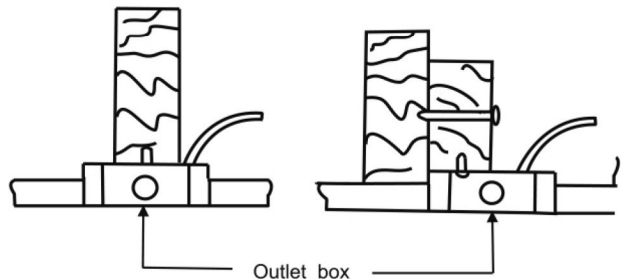


Fig. 2

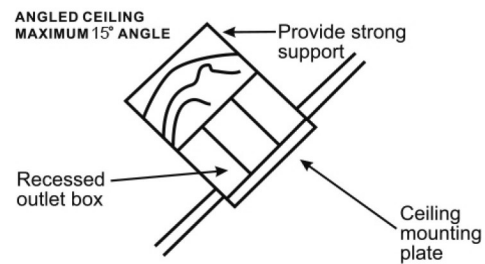


Fig. 3

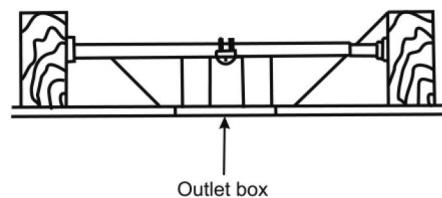
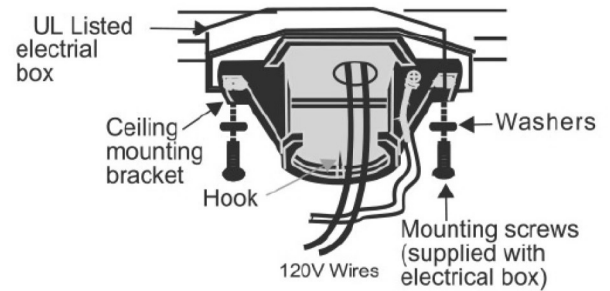


Fig. 4

INSTALL MOUNTING BRACKET

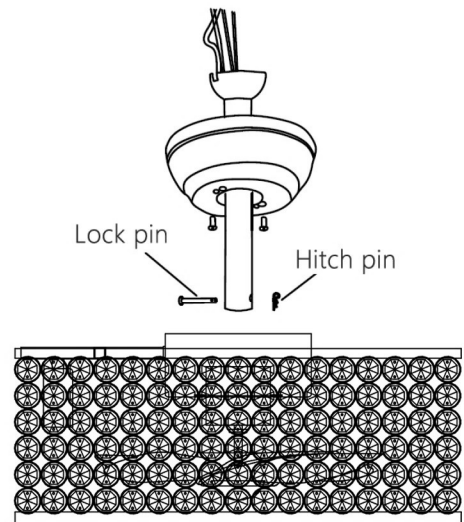
Loosen screws on mounting bracket and fix the mounting bracket to ceiling outlet box with wood screws. Pass the 120-volt supply wires through the center hole of the mounting bracket.



INSTALL DOWNROD

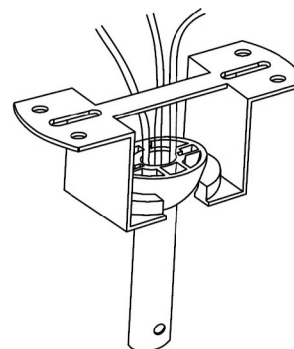
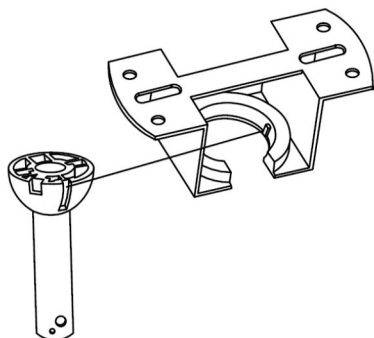
REMEMBER to turn off the power. Follow the steps below to hang your fan properly:

1. Remove the lock pin and hitch pin from downrod.
2. Place downrod assembly into canopy and coupling cover, carefully feed motor wires through the downrod assembly.
3. Loosen the two set screws in downrod coupling.
4. Insert downrod into downrod coupling. Install coupling lock pin through coupling and downrod. Insert hitch pin into the lock pin until it snaps into place. Tighten set screws in coupling. Slide coupling cover over the downrod coupling.



5. Place the downrod ball into the mounting bracket socket. Rotate the entire assembly until the "Check Tab" has dropped into the "Registration Slot" and is seated firmly. The entire motor assembly should not wobble (left or right) when seated properly.

WARNING: Failure to reattach the cross pin and seat the "Check Tab" can cause the fan to fall from the ceiling during operation. Take special care to make sure this pin is reattached.



CHANGE DOWNROD (OPTIONAL)

The Ceiling Fan comes with one 5 inches standard downrod which is preassembled and attached to the hanger ball, one longer 12 inches downrod is also included for higher ceilings.

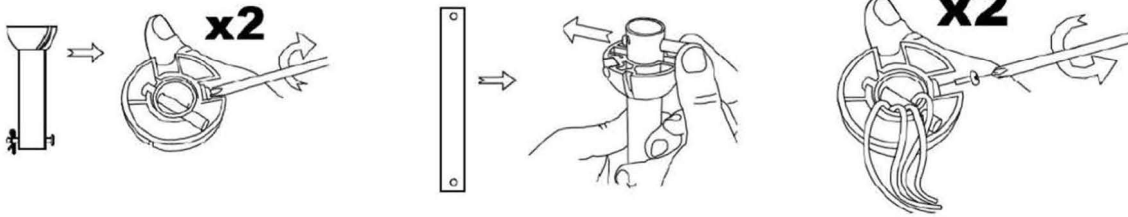
If you need a different downrod length, please follow these steps:

1. Loosen the hanger ball from downrod by removing the set screw.
2. Slide downrod ball off of downrod and remove the pin.
3. Re-install pin into extended downrod, and slide downrod ball up to the top of the downrod.
4. Re-install set screw to secure ball to downrod.

WARNING:

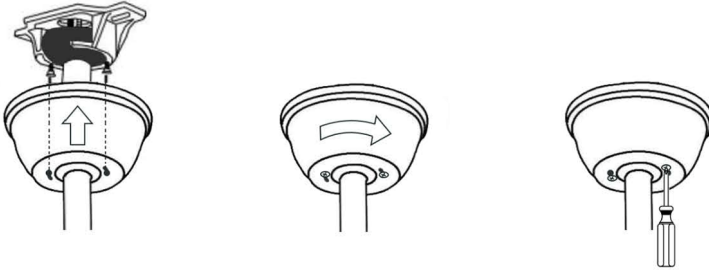
To prevent the fan wobble and serious injury.

Make sure to attach the support pin properly and tighten the set screws firmly.



SECURE CANOPY

1. Raise canopy up and align the keyholes on the canopy with 2 screws on the mounting bracket.
2. Rotate the canopy until the two screws drop into the slot recesses.
3. Tighten screws securely.

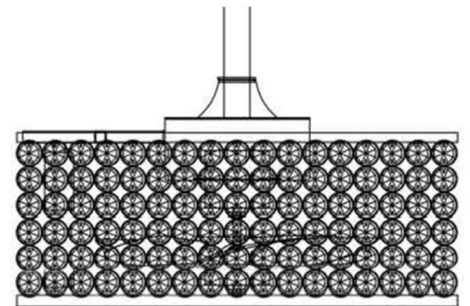


This fixture has been rated for up to four (4) **E12 Socket 40w** maximum light bulbs (not included) or **equivalent LED** bulbs (not included).

LED bulbs are recommended.

To avoid the risk of fire, DO NOT EXCEED THE RECOMMENDED LAMP WATTAGE.

This is a replaceable light bulb ceiling fan, it can't be gradually dimmed, **DO NOT** use any Dimmer Switch for this.



- **The fan cannot use the wall switch**
- **Please DO NOT install any wall switch. Use the remote control to control the light and wind speed.**

TROUBLESHOOTING GUIDE

If you have difficulty operating your new ceiling fan, it may be the result of incorrect assembly, installation, or wiring. In some cases, these installation errors may be mistaken for defects. If you experience any faults, please check this Trouble Shooting guide. If a problem cannot be remedied, please consult with your authorized electrician and please contact us and we will help you check and get the problem resolved, you don't have to uninstall and send it back.

Before:

1. This is a replaceable light bulb ceiling fan, **DO NOT** install any dimmer switch for this.
2. **DO NOT** install wall switch.
3. Check circuit fuses or breakers and make sure the battery is installed correctly.
4. Check line wire connections to the fan and switch wire connections in the switch housing.

CAUTION: Make sure the main power is off.

Problem: Light does not work

1. Change the light bulbs to make sure the bulbs are not broken.
2. Check the wire connections in the switch housing. Make sure wires have been connected properly.
3. Make wiring connections from the house to another light fixture directly (don't connect the remote and the fan). Test whether it is a circuit problem.

Problem: Fan will not start.

1. Check line wire connections to the fan and switch wire connections. **CAUTION:** Make sure the main power is off.
2. Remove the motor cover. Remove the remote receiver from the wire lines. Make fan wiring connections without remote receiver and the light, to determine it's the issue of the fan body or not.
 - a) Please don't wire the light at the bottom.
 - b) Connect the Ceiling Fan Neutral Wire (White) to the Neutral Wire (White) coming through the ceiling. Connect the Ceiling Fan Live Wire (Black) to the Live wire (Black or Colored) coming through the ceiling.
 - c) Then turn on the main power, check the fan works separately or not.

