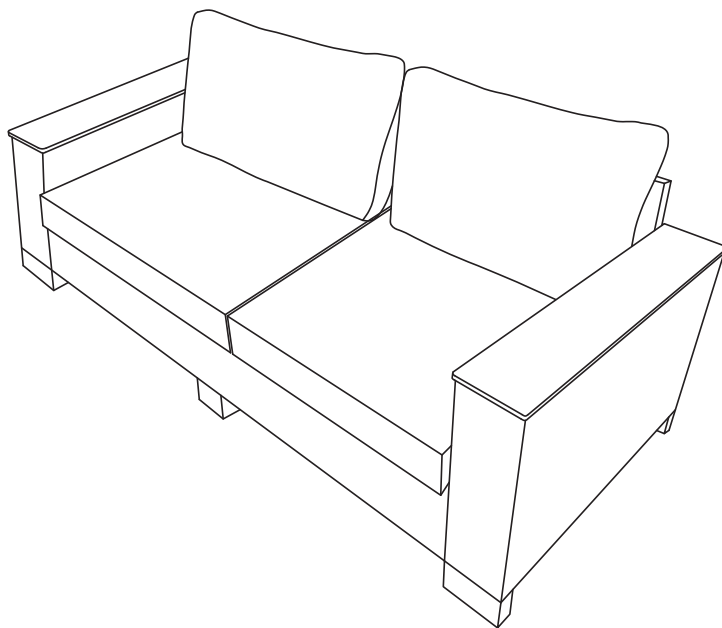


Sofa Assembly Instruction



Dear Customer,

After receiving the product, please check all the accessory codes and quantities according to the instruction manual, if there is any omission, please contact us in time. We will provide solutions for you.



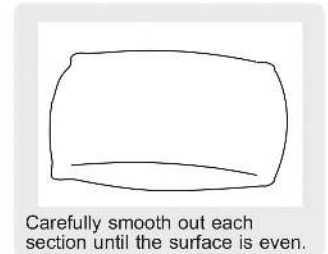
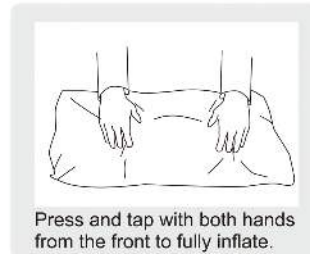
Safety and Care Advice

Important – Please read these instructions fully before starting assembly

Thanks for your purchase. Before the assembly, please follow the instruction to check if all the spare parts and screws are intact.

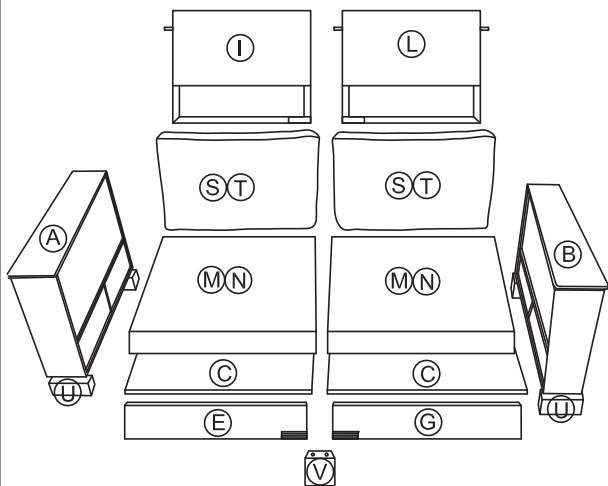
- Considering the size and weight of the sofa, we recommend two adults to assemble the sofa, on a carpeted or padded area, in the room that it is intended for. Approximate assembly time: 45 minutes.
- Keep all components and packaging out of reach of children or animals to avoid risk of choking or suffocation.
- Please do not throw away any of the packaging or the instruction until you have checked all the components and hardware and the furniture is fully assembled. Please ensure that the packaging is disposed of in a safe and environmentally friendly way.

Your cushions come vacuum packed and sealed for shipping. To restore the cushion's original shape, follow the steps below.
















After packing up, place them in somewhere dry and ventilated. After about 72-96 hours, it can be restored to the best use condition.








SOFA



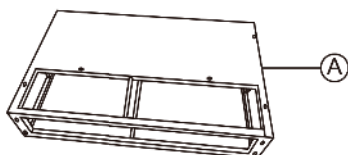
Main structure accessories

(A) Right Armrests  x1	(B) Left Armrests  x1	(C) Seat  x2	(E) Side panel  x1	(G) Side panel  x1
(I) Back rest  x1	(L) Back rest  x1	(M) Seat cushion  x2	(N) Seat cushion cover  x2	(S) Back cushion  x2
(T) Back cushion cover  x2	(U) Wooden footpads  x4	(V) Wooden footpads  x2		

Hardware parts

(1) Bolt  M6x35 x16	(2) Bolt  M6x55 x6	(3) Bolt  M6x60 x10	(4) Washer  x48	(5) Nut  x16
(6) Allen Key  x1	(7) Spanner  x1			

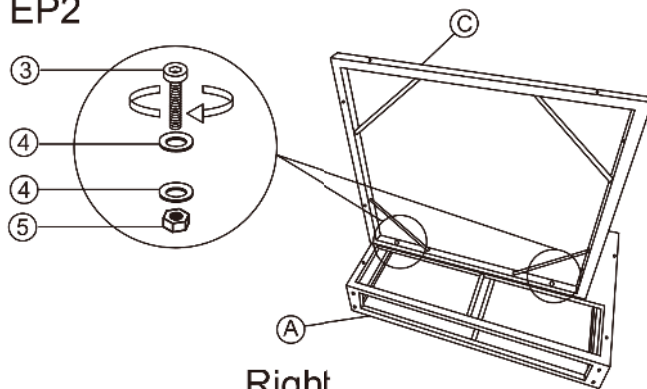
STEP1



Right

Place the Armrests on the ground before assemble.
Please DO NOT tighten the screws at this step yet. Wait to tighten all the screws until the product is fully installed.

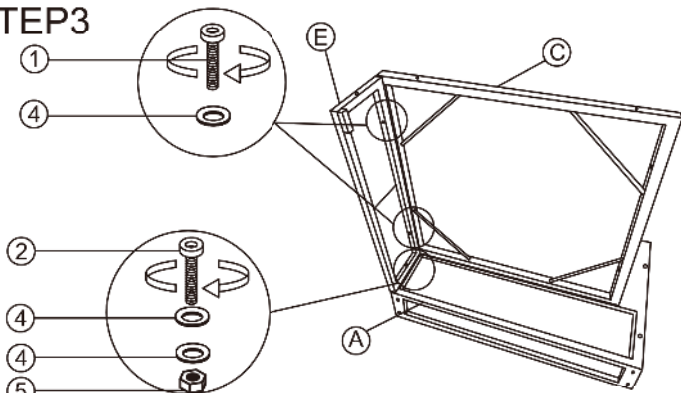
STEP2



Right

Please DO NOT tighten the screws at this step yet. Wait to tighten all the screws until the product is fully installed.

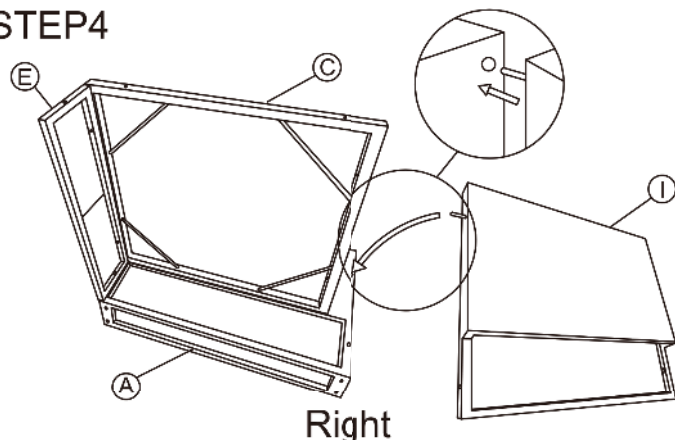
STEP3



Right

Please DO NOT tighten the screws at this step yet. Wait to tighten all the screws until the product is fully installed.

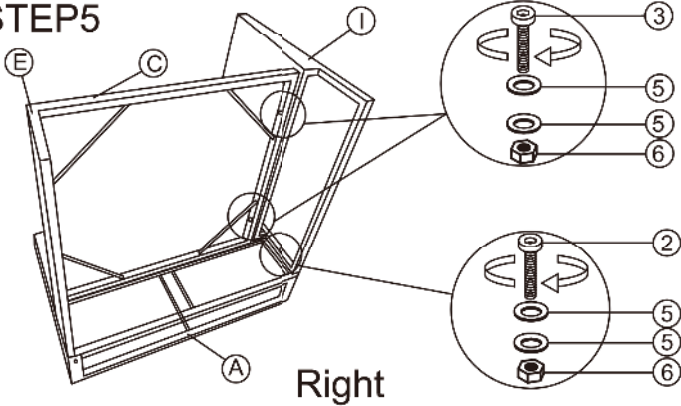
STEP4



Right

Please DO NOT tighten the screws at this step yet. Wait to tighten all the screws until the product is fully installed.

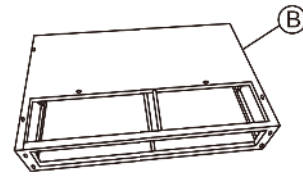
STEP5



Right

Please DO NOT tighten the screws at this step yet. Wait to tighten all the screws until the product is fully installed.

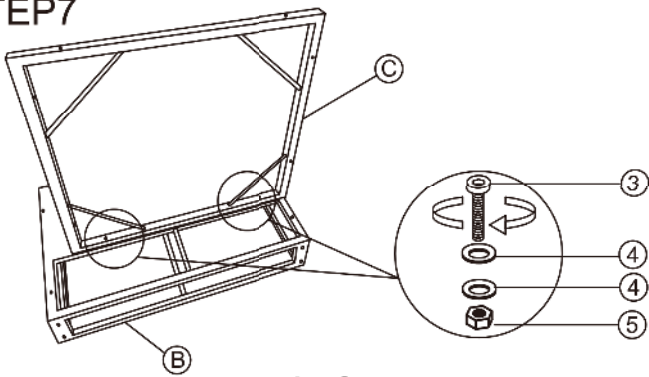
STEP6



Left

Place the Armrests on the ground before assemble.
Please DO NOT tighten the screws at this step yet. Wait to tighten all the screws until the product is fully installed.

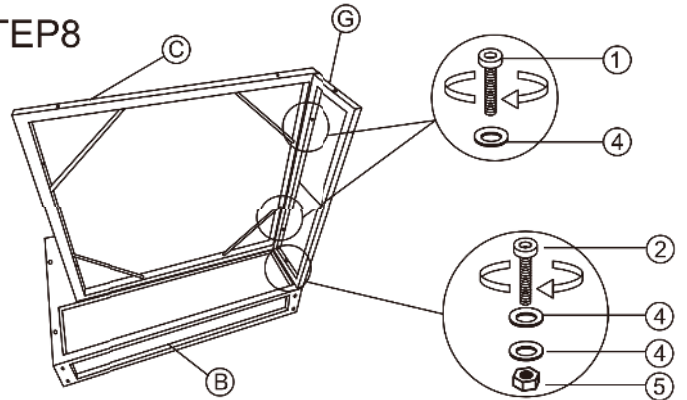
STEP7



Left

Please DO NOT tighten the screws at this step yet. Wait to tighten all the screws until the product is fully installed.

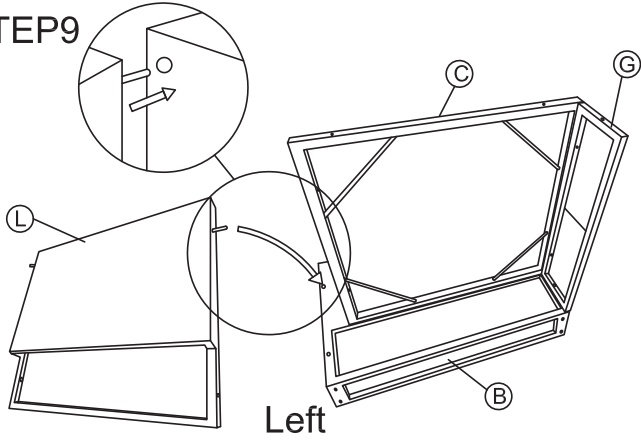
STEP8



Left

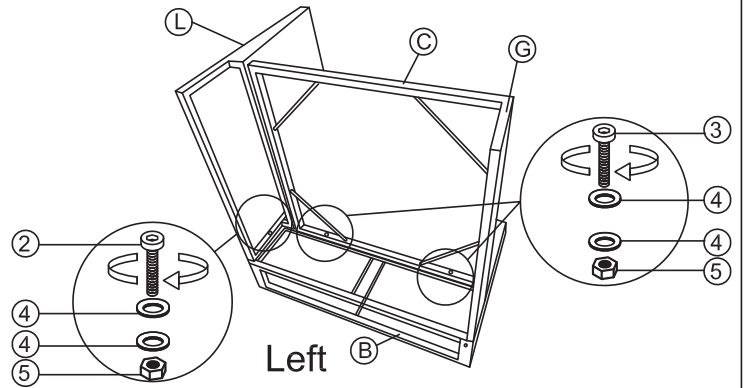
Please DO NOT tighten the screws at this step yet. Wait to tighten all the screws until the product is fully installed.

STEP9



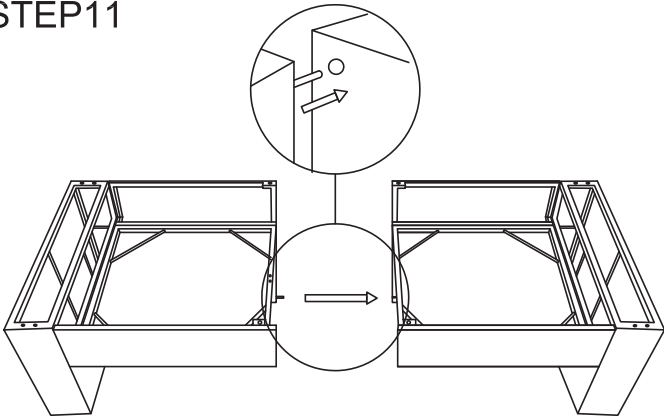
Please DO NOT tighten the screws at this step yet. Wait to tighten all the screws until the product is fully installed.

STEP10



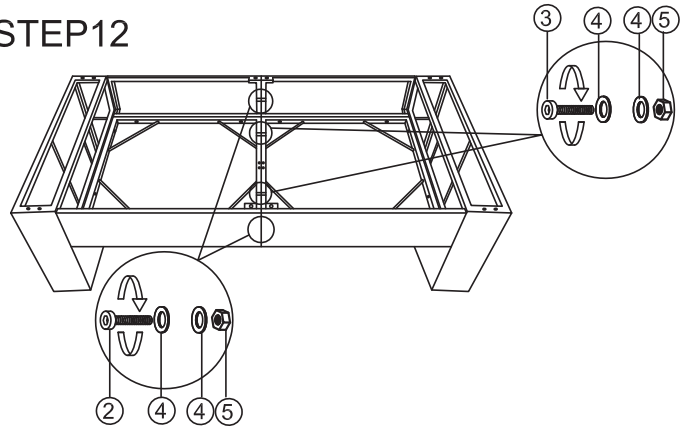
Please DO NOT tighten the screws at this step yet. Wait to tighten all the screws until the product is fully installed.

STEP11



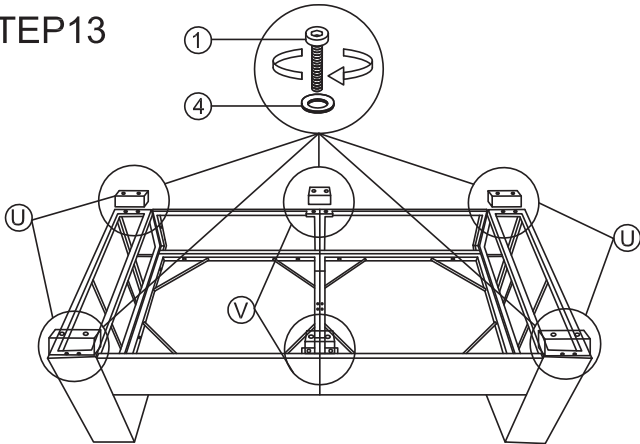
Please DO NOT tighten the screws at this step yet. Wait to tighten all the screws until the product is fully installed.

STEP12



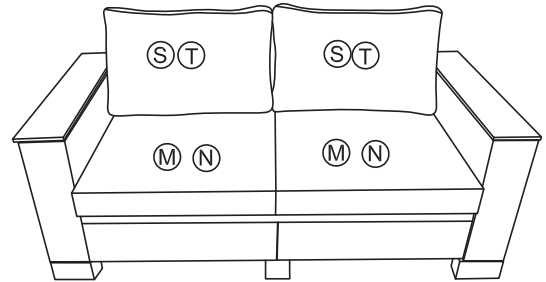
Please DO NOT tighten the screws at this step yet. Wait to tighten all the screws until the product is fully installed.

STEP13



Please DO NOT tighten the screws at this step yet. Wait to tighten all the screws until the product is fully installed.

STEP14



Please DO NOT tighten the screws at this step yet. Wait to tighten all the screws until the product is fully installed.